

BENCH MARK:
 24.70' from center of curb return
 of the NW corner of Washington St
 and Lincoln Ave. Elev. 912.605 d/a
 M.B. 8/10/52

QUANTITY ESTIMATE

| | |
|------------------------|-----------|
| 8" V.C.P. | 902 L.F. |
| 4" V.C.P. | 1298 L.F. |
| 8" x 4" WYES | 19 EA. |
| MANHOLES—STD. NO. 500 | 2 EA. |
| CLEANOUTS—STD. NO. 560 | 2 EA. |
| 18" x 4" SADDLES | 14 EA. |
| PAVEMENT REPLACEMENT | 630 S.F. |

- GENERAL NOTES**
- Construction shall be in accordance with the City of Riverside, Department of Public Works, Standard Specifications No. 461 and Standard Drawings.
 - It shall be the responsibility of the contractor to clear the right of way in accordance with the provisions of the law as it affects each utility including irrigation lines and appurtenances and at no cost to the City.
 - Joints shall be in conformance to A.S.T.M. Specifications C-425-64 Type I or III or C-594-66T (Band Seal) with certain exceptions or Modifications on file with the City Engineer.
 - Pipe shall be bedded per Case 1, Standard Drawing No. 352, unless otherwise specified in plan.
 - Location of wyes and laterals to be determined at the direction of the Owner.
 - All stubs and laterals to be constructed in accordance with Standard Drawing No. 562. Stubs shall be classed "W" or "M".
 - Manhole frames and covers to be set to existing, and proposed pavement grades.
 - Laterals are to be 4" and excluded to street centerline.
 - Prior to construction of sewer, utility lines shall be located, and contact Engineer for verification of existing elevations.
 - If improvements are not installed per Plan 5-789 these plans will have to be revised prior to start of construction.

CONSTRUCTION NOTE
 ⊗ Denotes encasement of sewer main or lateral for a distance of 5' on each side of proposed water line crossings.

* as built 3/19/71 norm

Approved By: *Howard K. Reason* 8-14-70
 General Superintendent & Chief Engineer, Water Dept. DATE

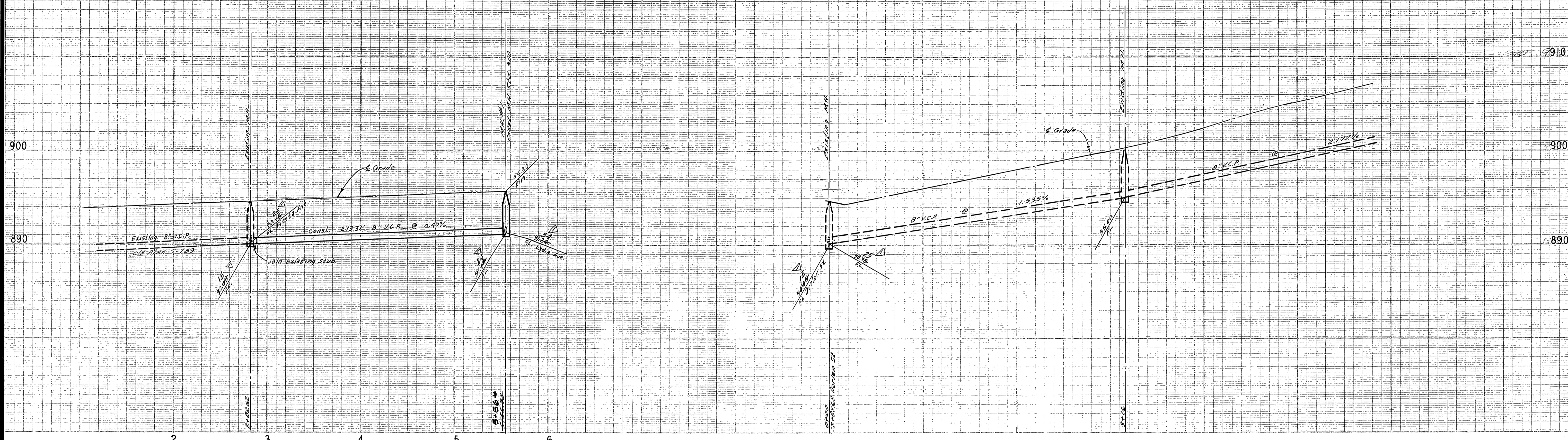
ALBERT A. WEBB ASSOCIATES
 CIVIL ENGINEERS
 RIVERSIDE, CALIFORNIA
 APPROVED BY: *A. A. Webb* DATE 8/14/70
 R.E. No. 9876

| | | | |
|------|-----------|-------|------|
| MARK | REVISIONS | APPR. | DATE |
| | | | |
| | | | |
| | | | |

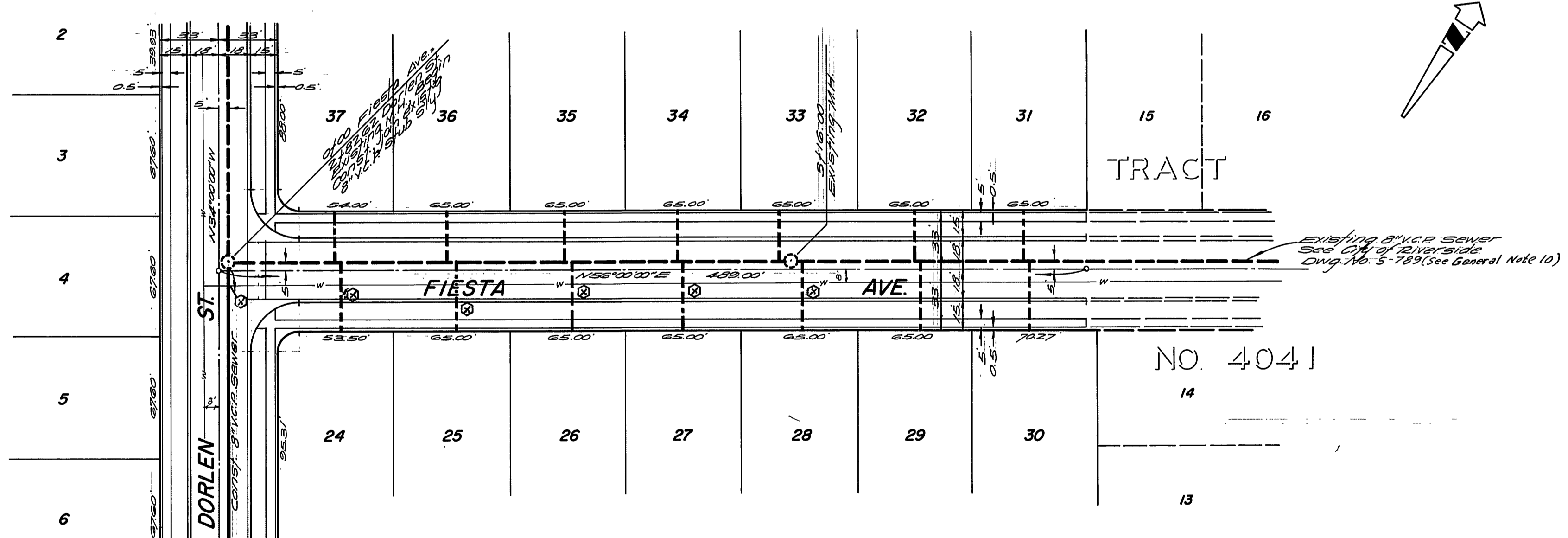
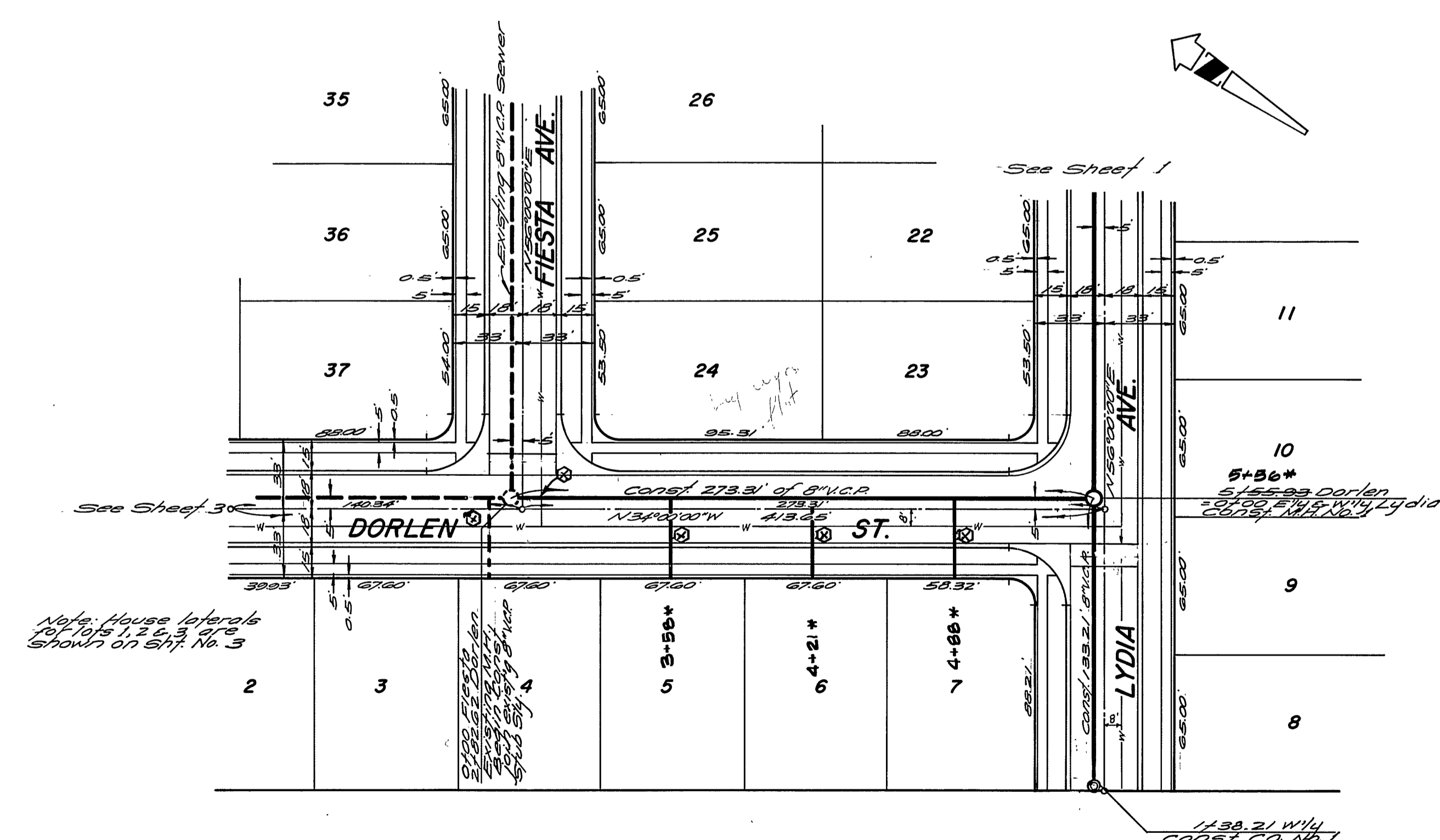
CITY OF RIVERSIDE, CALIFORNIA
 PUBLIC WORKS DEPARTMENT
 APPROVED BY: *[Signature]* DATE 8/24/70
 PRINCIPAL ENGINEER
 PARK DEPARTMENT
 TRAFFIC DIVISION
 CHIEF PUB. WKS. ENGR.

SEWER PLAN AND PROFILE
 LYDIA AVE. - CADET ST.
 TRACT NO 3959
 SCALE: HORIZ. 1" = 50' VERT. 1" = 5'

ACCOUNT No.
 DRAWING NUMBER
 5-799
 SHEET 1 OF 3
 69-186-B



BENCH MARK:
at 201' in center of curb return
of the NW corner of Washington St
and Lincoln Ave Elev. 912.665 c/a
11/2 6/2/52



CONSTRUCTION NOTE
⊗ Denotes encasement of sewer main or lateral for a distance of 5' on each side of proposed water line crossings. Existing laterals, shown dashed, shall be encased at time of water line construction. Encase per St. 452 - Case II.

* CB BUILT 3/9/71 norm

Approved by
Howard L. Orman
General Superintendent & Chief Engineer, Water Dept.
8-10-70 DATE

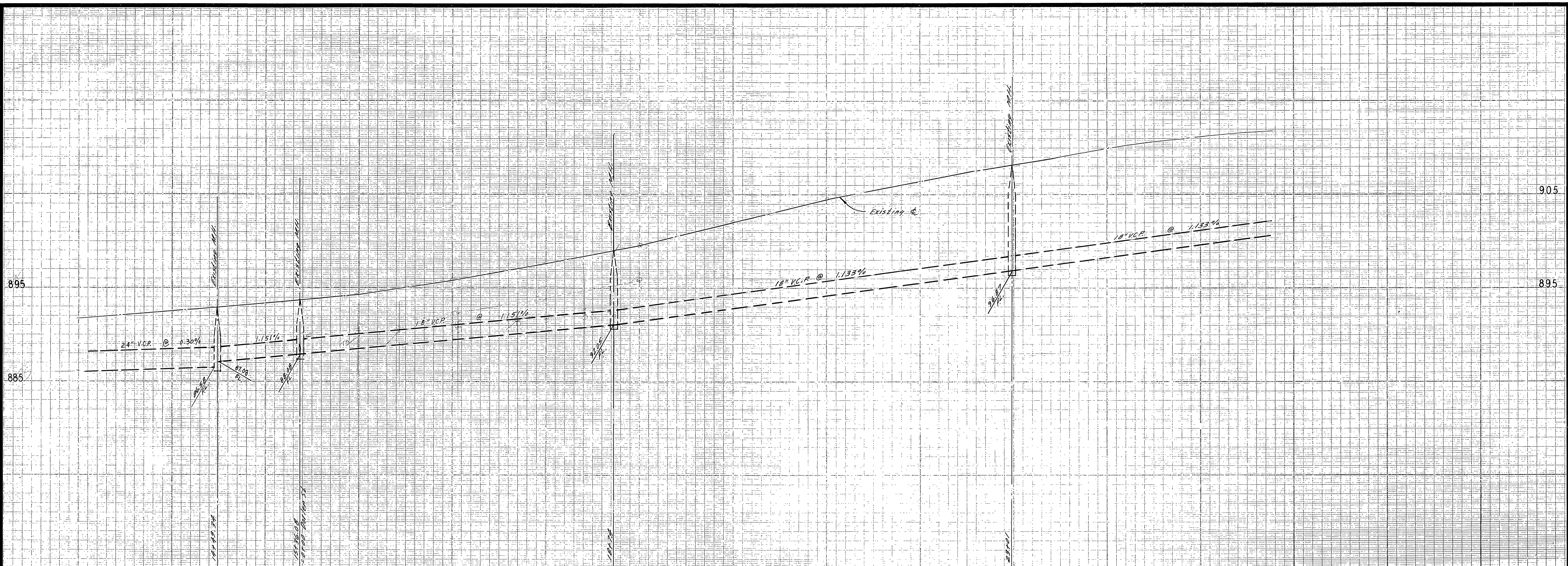
ALBERT A. WEBB ASSOCIATES
CIVIL ENGINEERS
RIVERSIDE, CALIFORNIA
APPROVED BY: *[Signature]* DATE: 4/29/70
R.E. No. 9876

MARK REVISIONS
DESIGNED BY B.E.L. DRAWN BY R.M. CHECKED BY

CITY OF RIVERSIDE, CALIFORNIA
PUBLIC WORKS DEPARTMENT
APPROVED BY: *[Signature]* DATE: 8/14/70
PRINCIPAL ENGINEER
TRAFFIC DIVISION
CHIEF PUB. WKS. ENGR.

SEWER PLAN AND PROFILE
DORLEN ST. - FIESTA AVE.
TRACT NO 3959
SCALE: HORIZ. 1" = 50' VERT. 1" = 5'

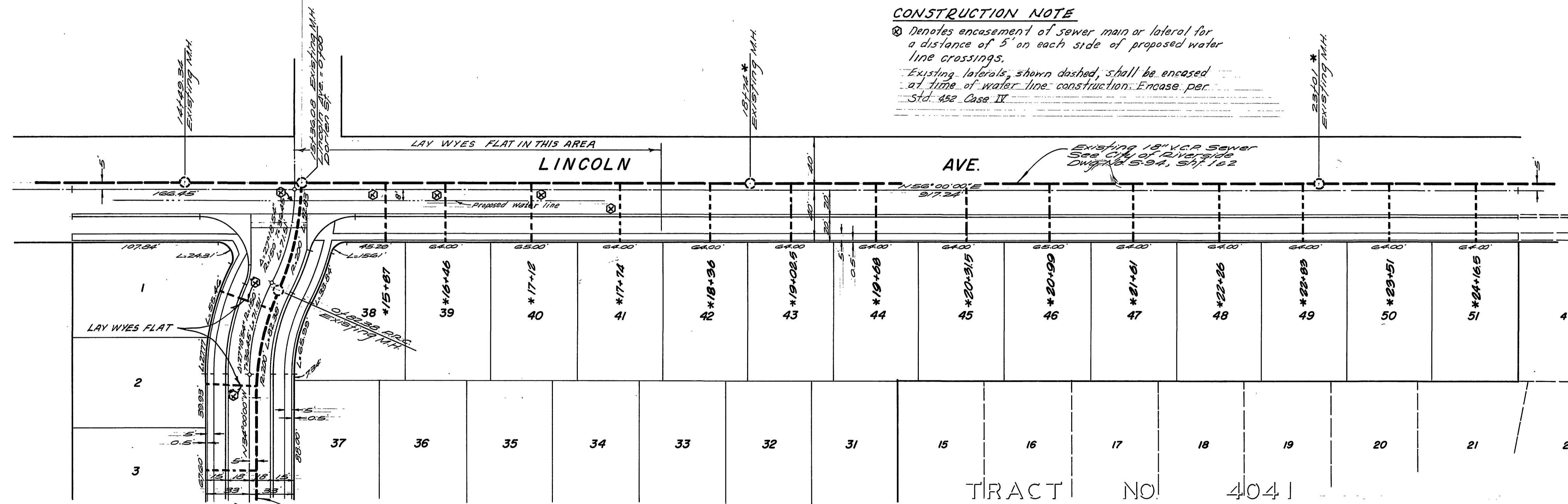
ACCOUNT No.
DRAWING NUMBER
5-799
SHEET 2 OF 3
69-186-B



BENCH MARK:
 24" nail in center of curb, return
 of the N.W. corner of Washington St
 and Lincoln Ave. Elev. 912.005 @ 12
 Feb. 6/10/72

CONSTRUCTION NOTE

⊗ Denotes encasement of sewer main or lateral for a distance of 5' on each side of proposed water line crossings.
 Existing laterals, shown dashed, shall be encased at time of water line construction. Encase per Std. 452 Case II.



* Note: There is no construction plan for the laterals shown on Lincoln Avenue. The laterals were constructed in conjunction with Tract 4041.

* as built 9/18/70 norm ✓ by Earl 9/22/70

Approved by
Howard K. Oresman
 General Superintendent, Chief Engineer, Water Dept. DATE 8-14-70

ALBERT A. WEBB ASSOCIATES
 CIVIL ENGINEERS
 RIVERSIDE, CALIFORNIA
 APPROVED BY *Albert A. Webb* DATE 8/25/70
 R.E. No. 9876

| MARK | REVISIONS | APPR. | DATE |
|------|-----------|-------|------|
| | | | |
| | | | |
| | | | |

CITY OF RIVERSIDE, CALIFORNIA
 PUBLIC WORKS DEPARTMENT
 APPROVED BY
 PRINCIPAL ENGINEER *[Signature]* DATE 8/17/70
 PARK DEPARTMENT
 TRAFFIC DIVISION
 CHIEF PUB. WKS. ENGR. *[Signature]*
 DATE 8/24/70

SEWER PLAN AND PROFILE
 LINCOLN AVE.
 TRACT NO 3959
 SCALE: HORIZ. 1" = 50' VERT. 1" = 5'

ACCOUNT No.
 DRAWING NUMBER
5-799
 SHEET 3 OF 3
 69-186-B