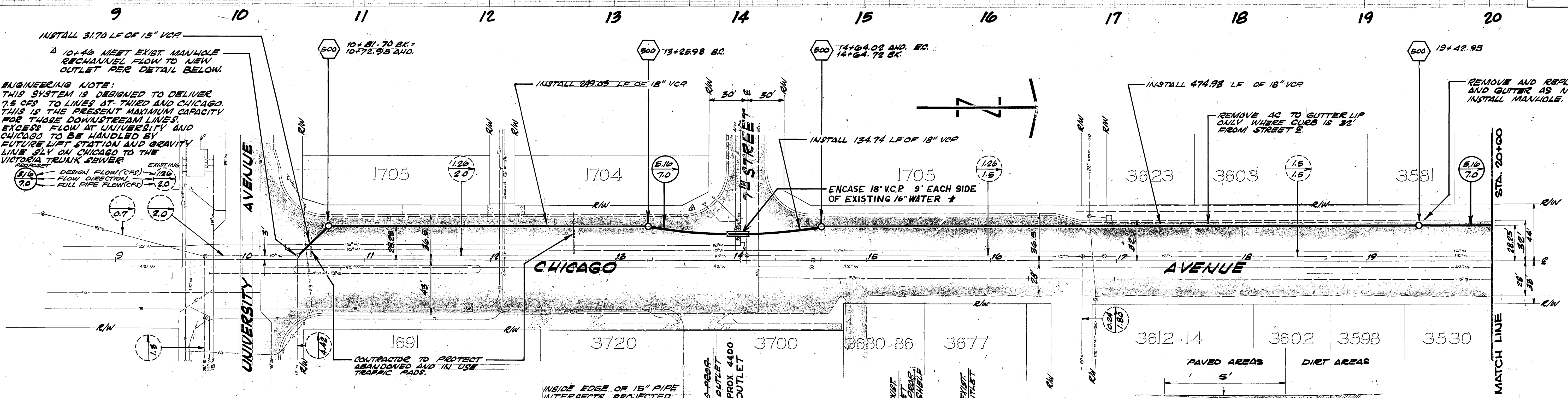


CURVE DATA
 R = 400'
 Δ = 19° 52' 22"
 L = 138.74'
 T = 70.07'

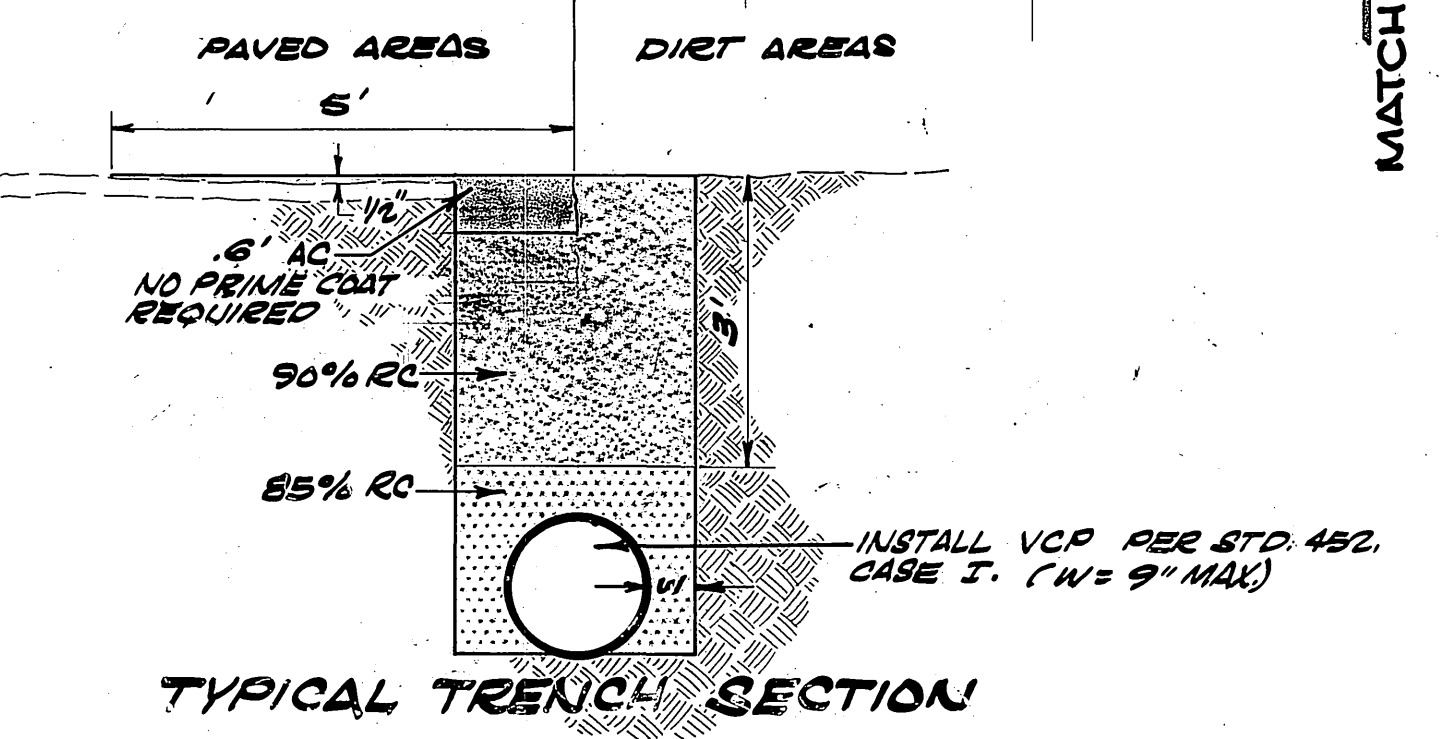
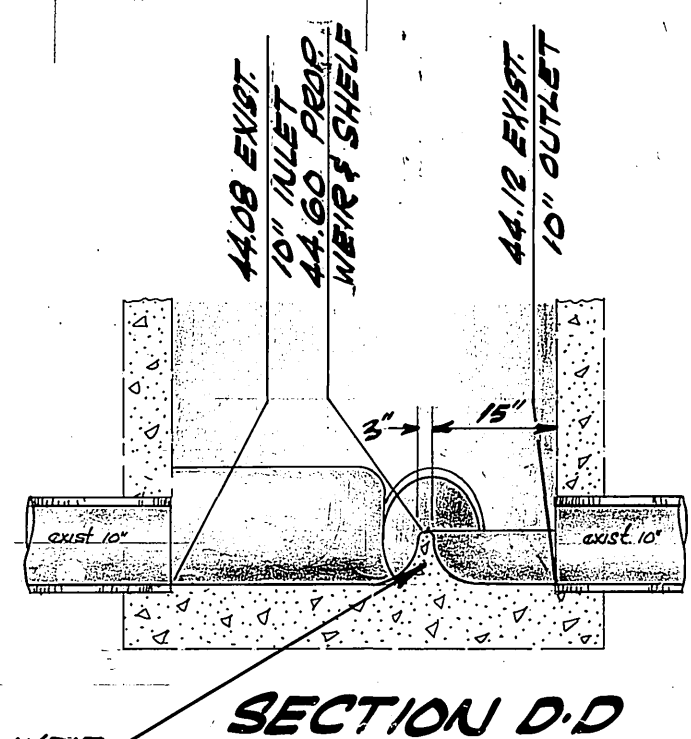
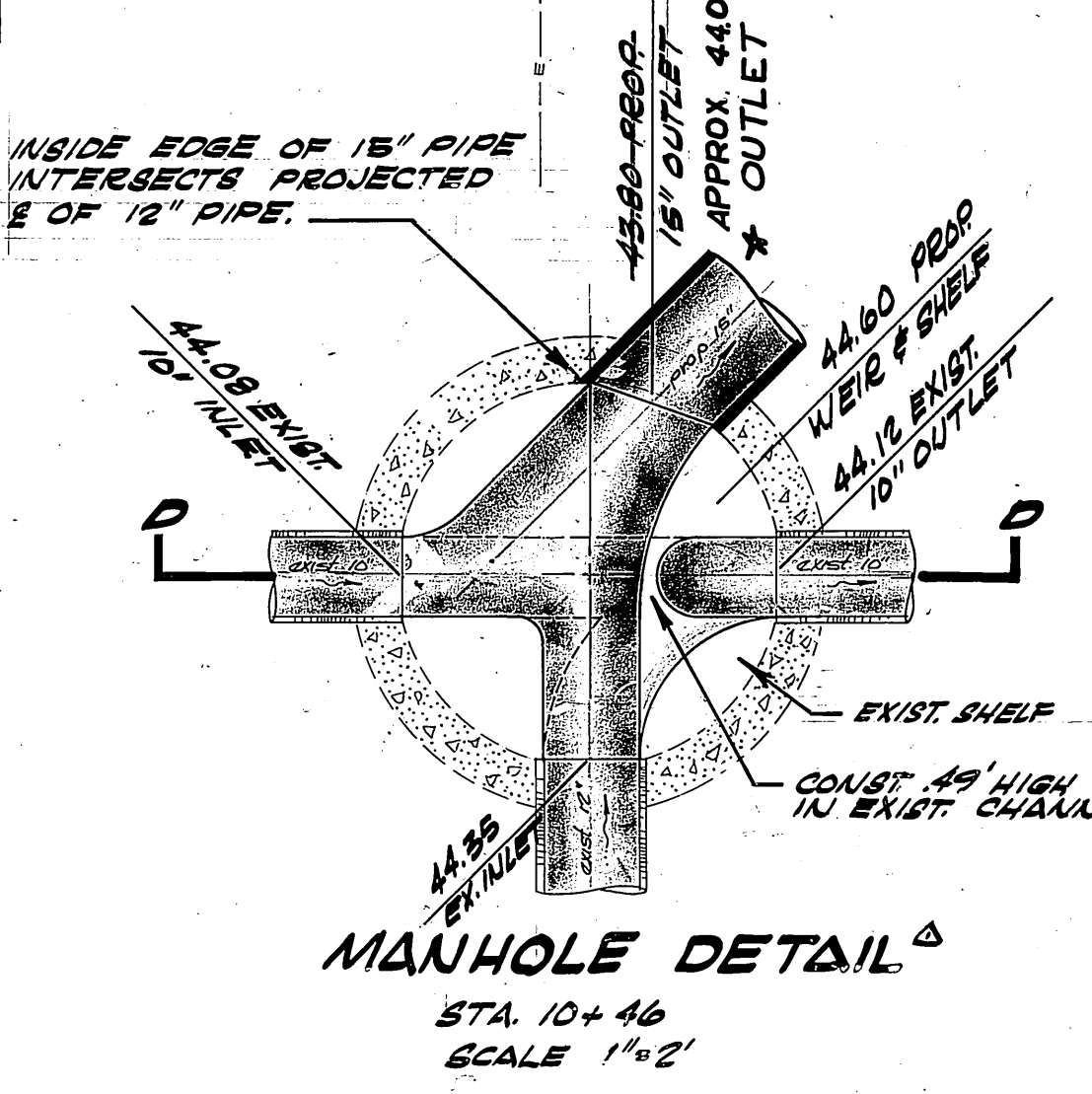
FB. 789/11-55, 982/37-38
 S.M. ON NAIL IN SOUTHERLY CURB OF UNIVERSITY
 138' WLY OF S CHICAGO
 ELEV. 955.469



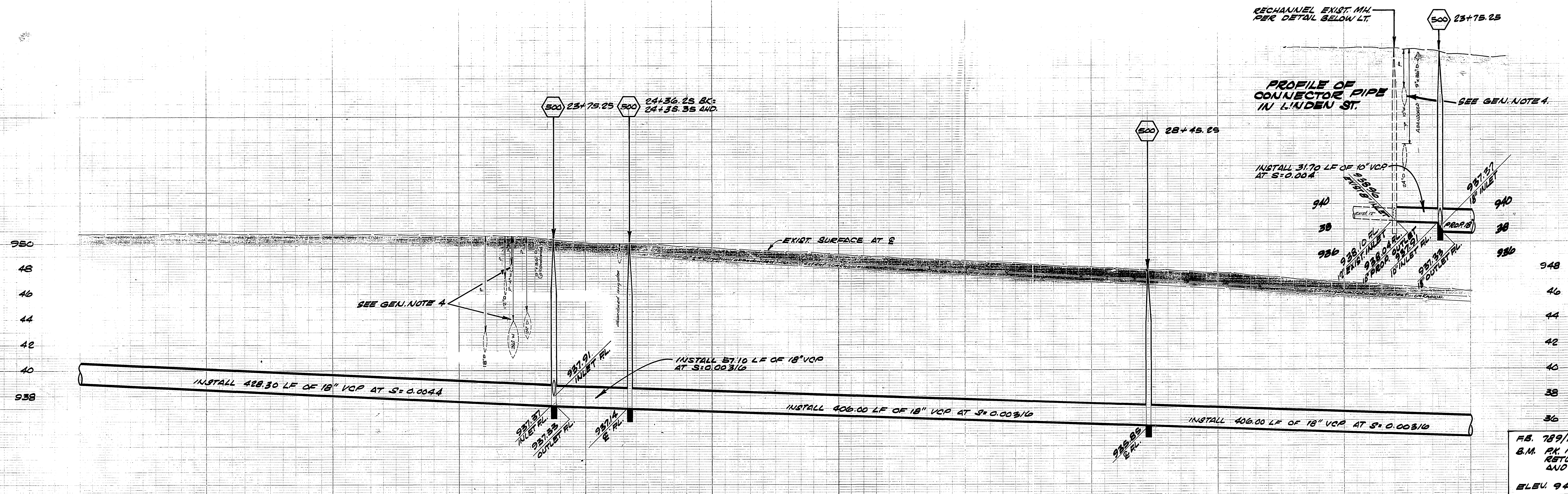
ENGINEERING NOTE:
 THIS SYSTEM IS DESIGNED TO DELIVER 7.5 CFS TO LINES ST. THIRD AND CHICAGO. THIS IS THE PRESENT MAXIMUM CAPACITY FOR THOSE DOWNSTREAM LINES. EXCESS FLOW AT UNIVERSITY AND CHICAGO TO BE HANDLED BY FUTURE LIFT STATION AND GRAVITY LINE SLY ON CHICAGO TO THE VICTORIA TRUNK SEWER.

GENERAL NOTES:

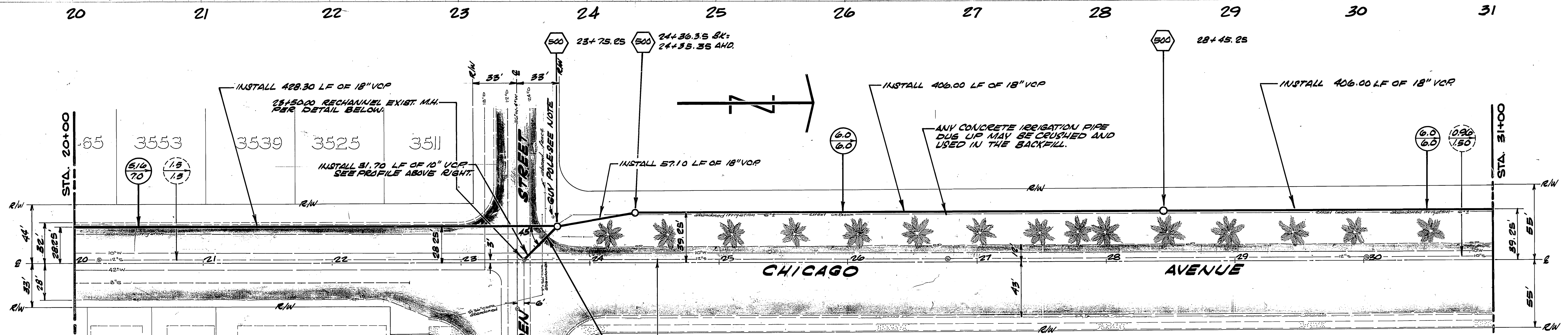
1. CONSTRUCT MANHOLE PER STD. 500 AS INDICATED BY $\text{E} \text{O} \text{O} \text{H} \text{O} \text{O} \text{O}$ STATIONS SHOWN ARE 1'.
2. EXACT LOCATIONS AND DEPTHS OF UNDERGROUND UTILITIES ARE UNKNOWN. THE LOCATIONS AND DEPTHS SHOWN ON THIS PLAN ARE FROM UTILITY RECORDS. THE CONTRACTOR IS REQUIRED TO TAKE DUE PRECAUTIONARY MEASURES TO LOCATE AND PROTECT ALL UNDERGROUND FACILITIES WHETHER OR NOT SHOWN.
3. ONLY SEWER LATERALS IN CONFLICT WITH THE NEW TRUNK SHALL BE CONNECTED TO IT PER STD. 562.
4. WHERE THE PROPOSED SEWER CROSSES A WATER MAIN, THE CONTRACTOR SHALL ENCASE THE SEWER OR WATER MAIN PER SECTION 306-2.1.1 OF THE SPECIAL PROVISIONS.
5. PIPE SHALL BE VCP INSTALLED PER STD 452, CASE 1 (W=9" MAX.) AND TYPICAL TRENCH SECTION.



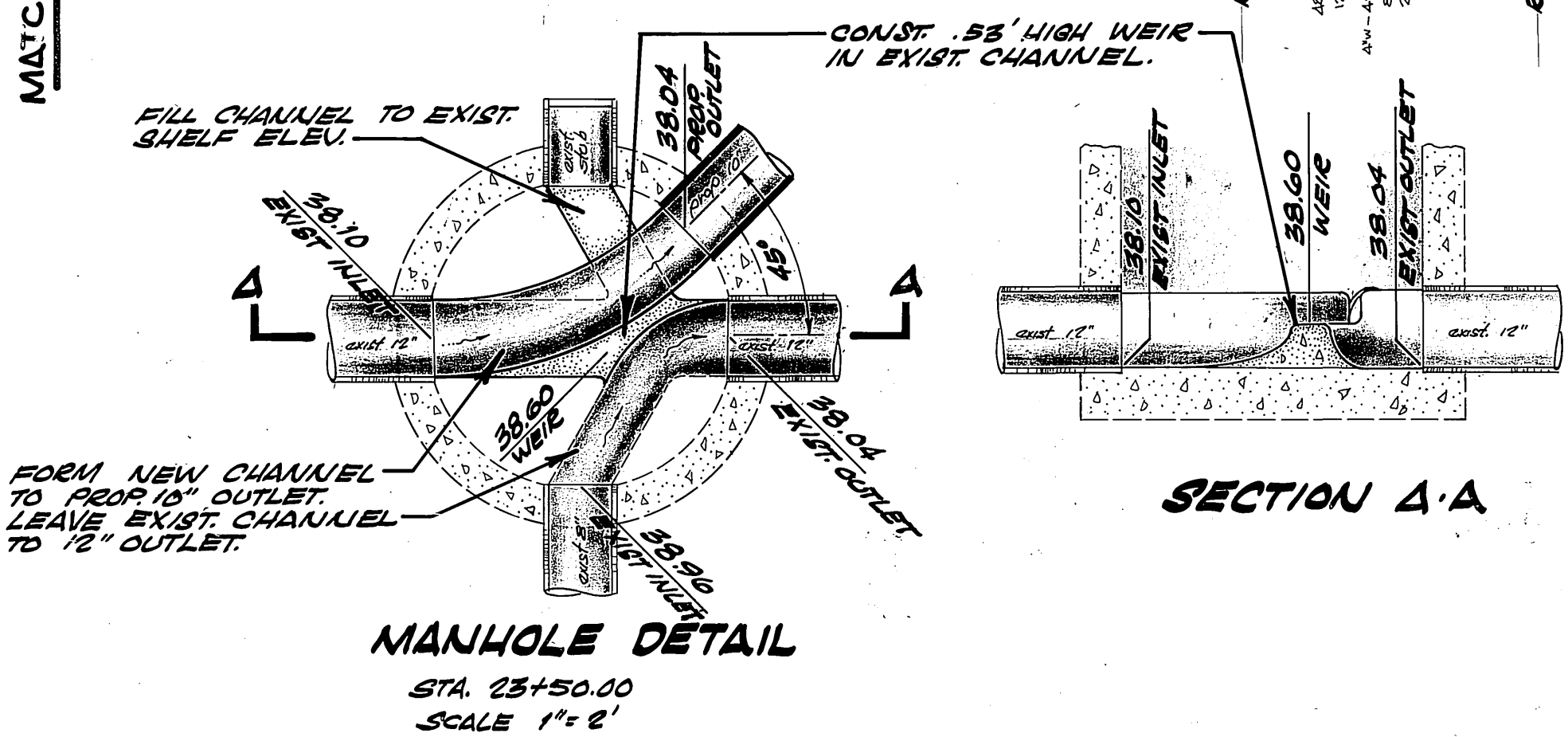
REDESIGN MANHOLE BOTTOM AT STA. 10+46 TO 13+25.98 MOVED SEWER LOCATION BETWEEN STA. 13+25.98 AND 14+64.78 TO S.S.		CITY OF RIVERSIDE, CALIFORNIA DEPARTMENT OF PUBLIC WORKS PARK DEPARTMENT TRAFFIC DIVISION CHIEF P. W. ENGR.		CHICAGO AVENUE TRUNK SEWER UNIVERSITY TO THIRD		PROJECT NO. 561 S-800 SHEET 1 OF 3 FILE NO.	
DESIGNED BY: G.I.B. DRAWN BY: [Signature] CHECKED BY: [Signature]	APPROVED BY: [Signature] DATE: 11/10/70	APPROVED BY: [Signature] DATE: 11/10/70	APPROVED BY: [Signature] DATE: 11/10/70	HORIZ. SCALE: 1" = 40' VERT. SCALE: 1" = 4'			



F.S. 789/11-53, 932/27-39
 B.M. PK NAIL IN SW. CB.
 RETURN OF CHICAGO
 AND LINDEN.
 ELEV. 949.553

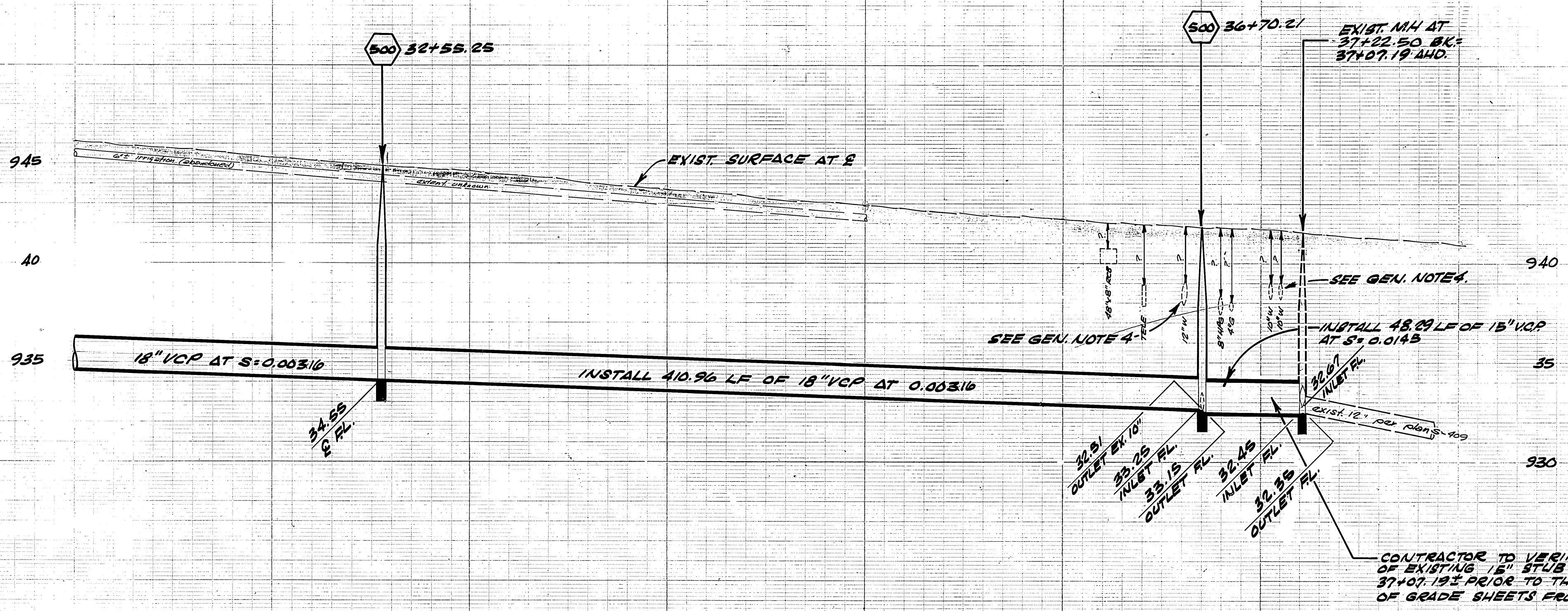


GUY POLE NOTE:
 CONTACT PUBLIC UTILITIES ELECTRIC AT 797.7511
 TO BRACE POLE AND UNDER PISE TO TRENCHING
 BY GUY POLE AT STA. 23+75.25.

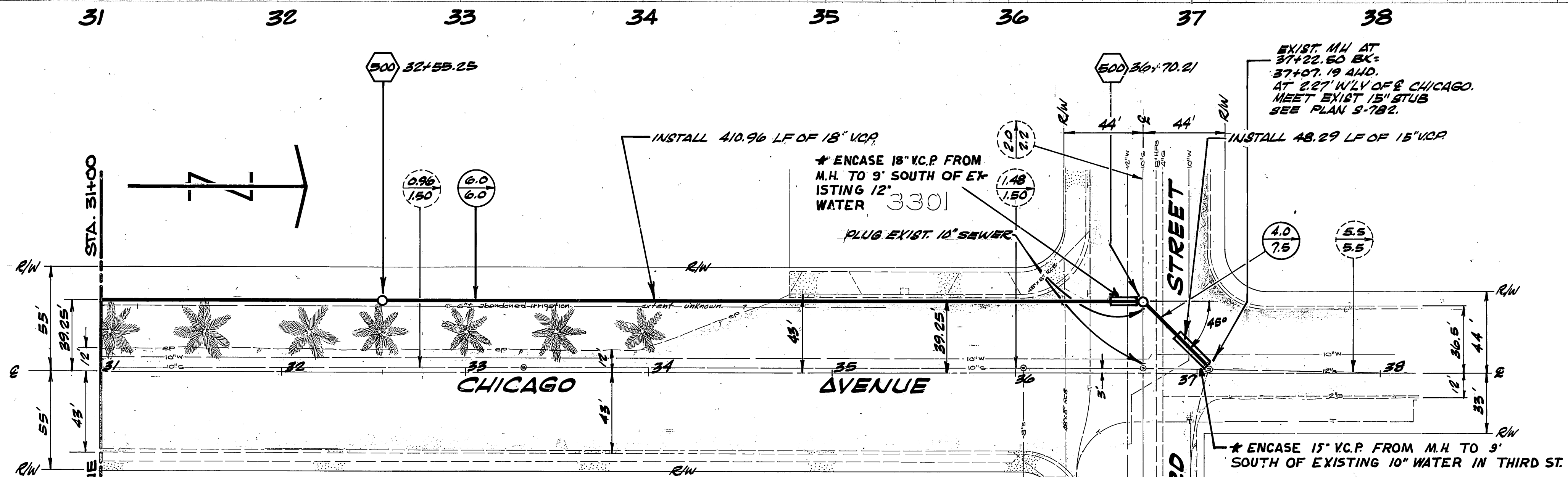


AS BUILT 4-14-71 BDM

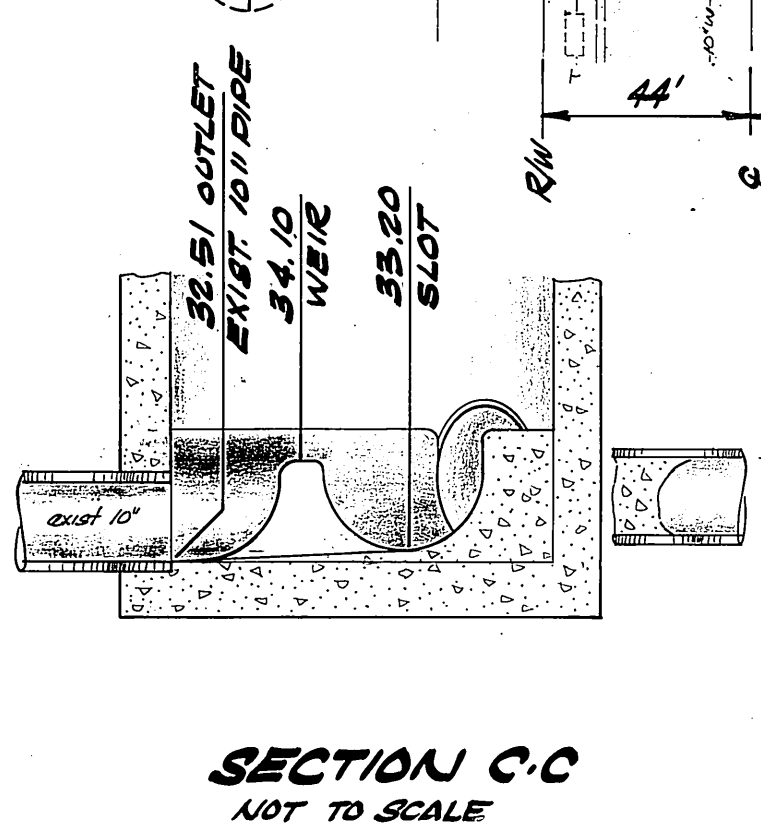
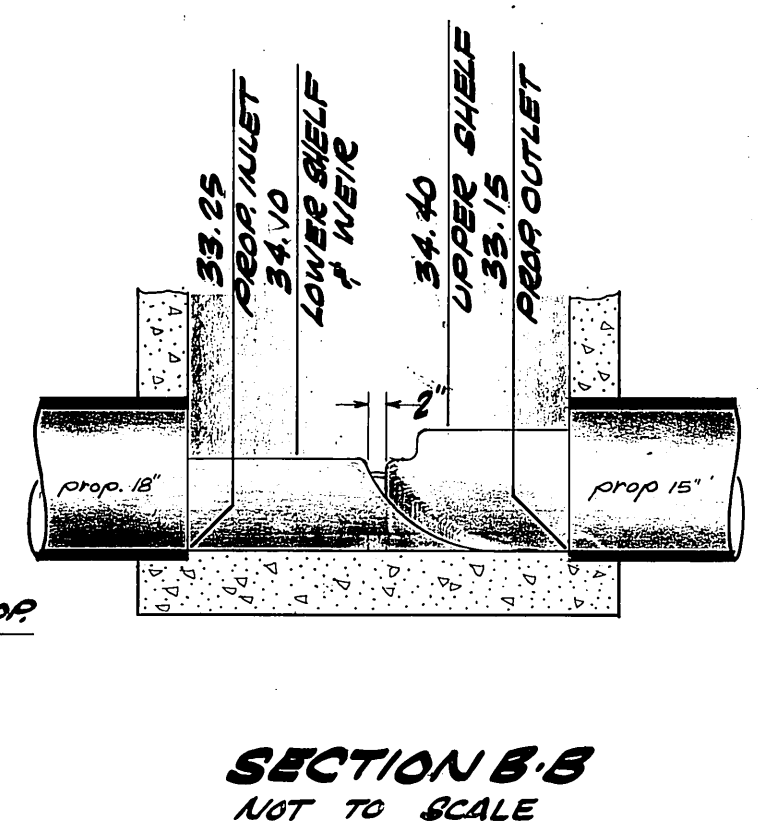
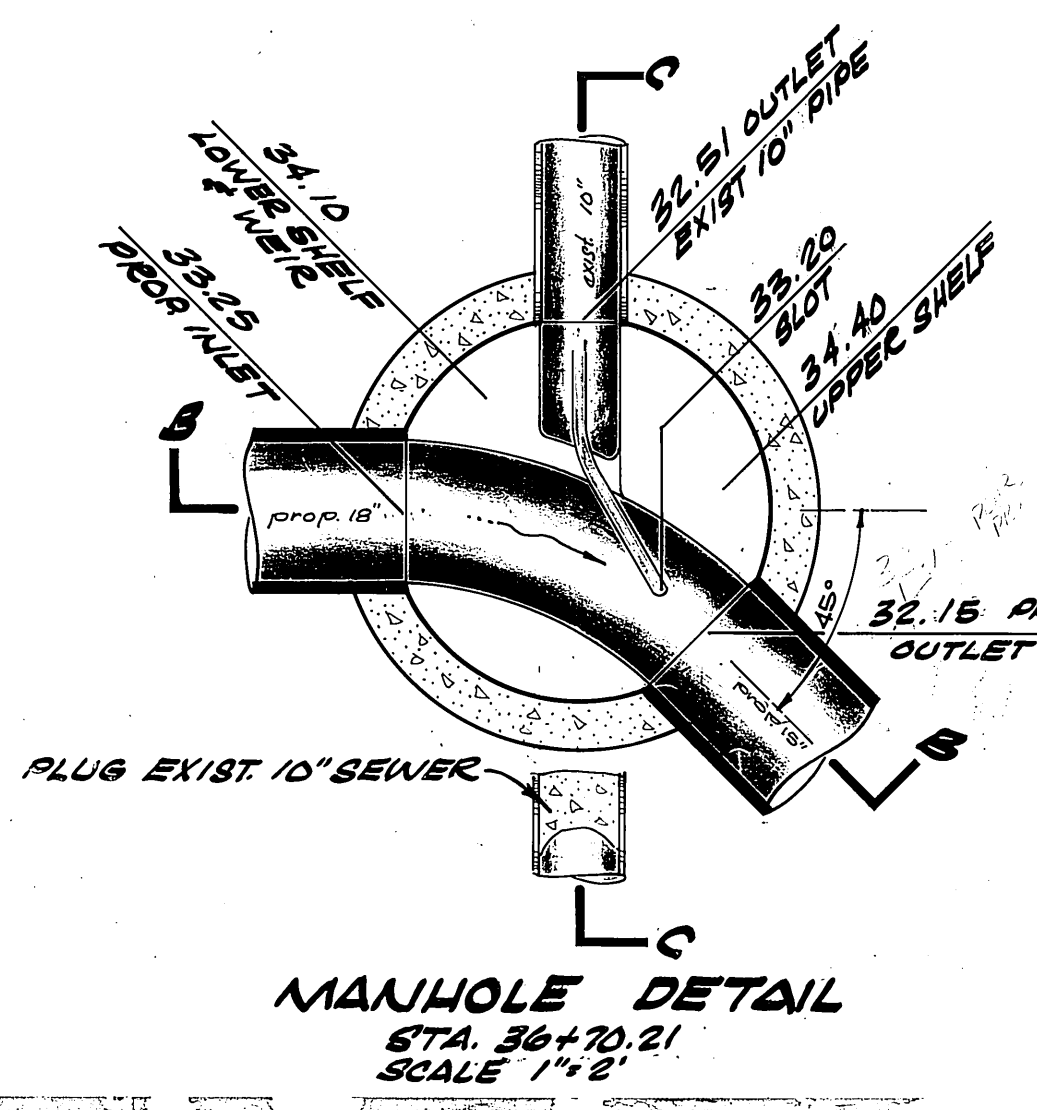
CITY OF RIVERSIDE, CALIFORNIA DEPARTMENT OF PUBLIC WORKS		CHICAGO AVENUE TRUNK SEWER UNIVERSITY TO THIRD		PROJECT NO. 561
APPROVED BY PRINCIPAL ENGINEER	BY	DATE	APPROVED BY DIRECTOR OF PUBLIC WORKS	S-800
DESIGNED BY S.T.B.	DRAWN BY	CHECKED	DATE	
REVISIONS		APPR. DATE		SHEET 2 OF 3
HORIZ. SCALE: 1" = 40'		VERT. SCALE: 1" = 4'		
FILE NO.		FILE NO.		



F.S. 780/11-53, 952/37-38
 B.M. R.K. N.W. CORNER RETURN
 ON N.W. CORNER OF
 CHICAGO AND THIRD.
 ELEV. 940.451



J. W. NORTH HIGH SCHOOL



* AS BUILT 4-14-71 BDM

CITY OF RIVERSIDE, CALIFORNIA DEPARTMENT OF PUBLIC WORKS			
APPROVED BY	BY	DATE	APPROVAL
PRINCIPAL ENGINEER	TR		
PARK DEPARTMENT			
TRAFFIC DIVISION			
CHIEF PLUMBER			
DESIGN	REVISED	DATE	
DESIGNED BY S.I.B.	DRAWN BY D.C.	CHECKED BY	

CHICAGO AVENUE TRUNK SEWER
 UNIVERSITY TO THIRD
 PROJECT NO. 601
S-800
 SHEET 3 OF 3