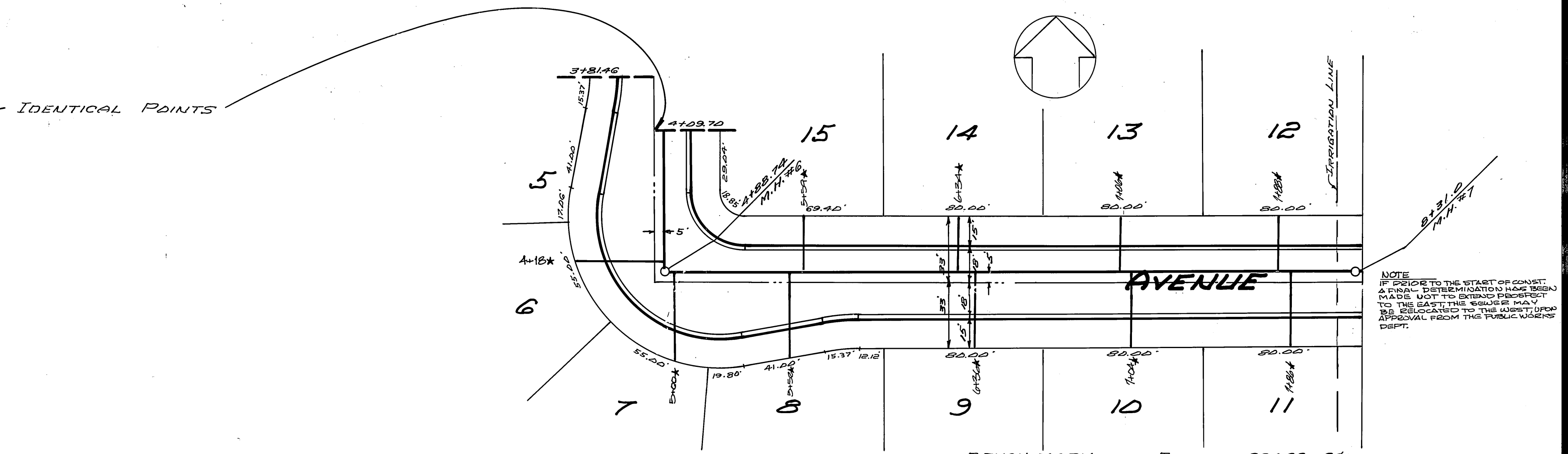
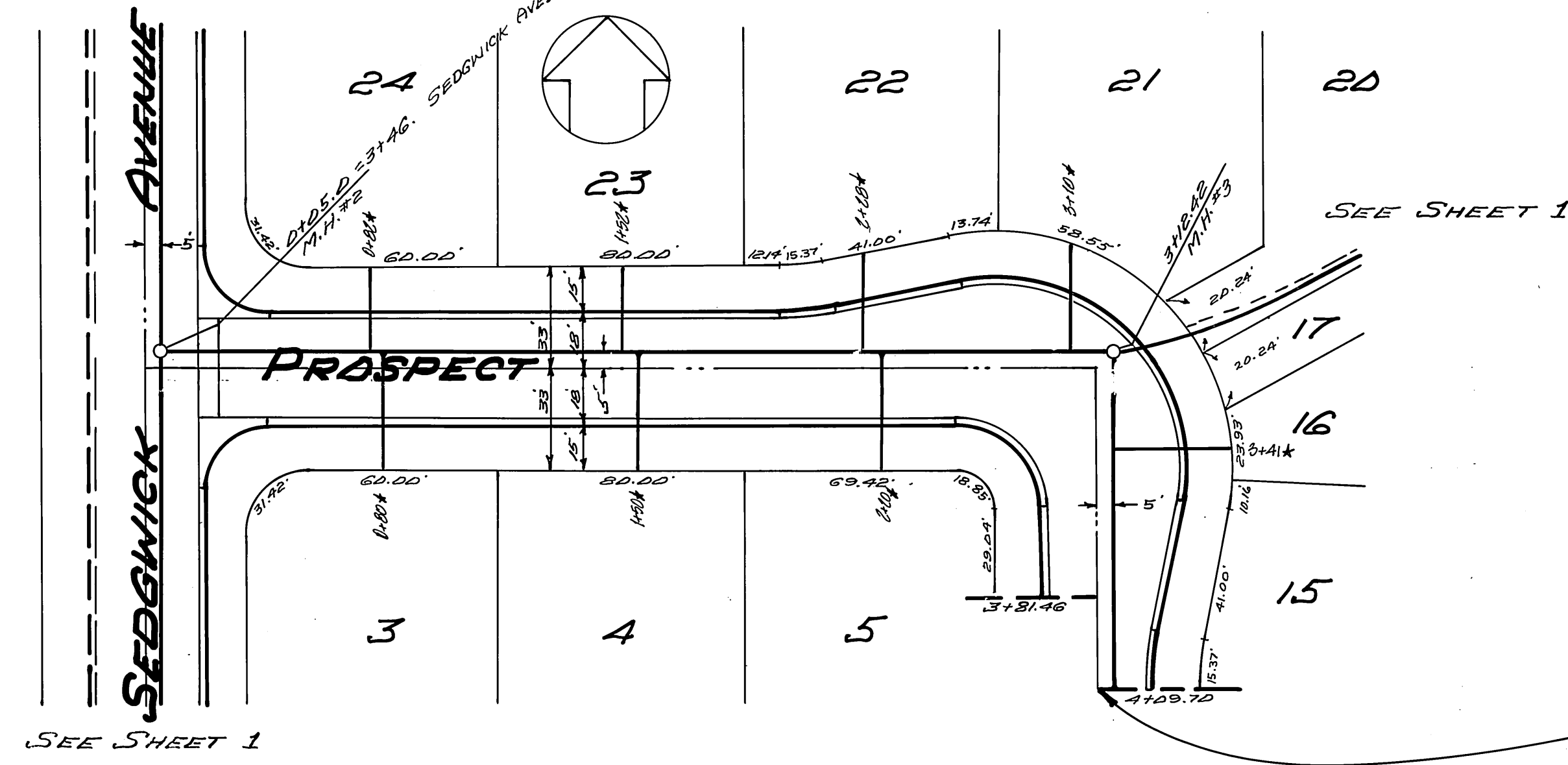
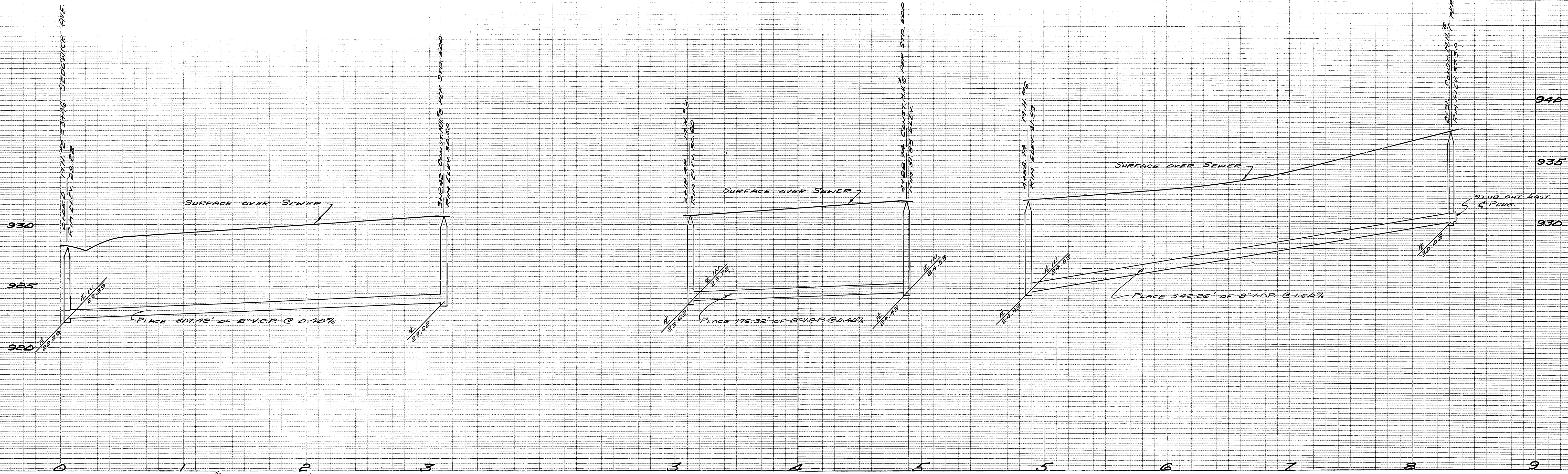


- GENERAL NOTES:**
1. CONSTRUCTION SHALL BE IN ACCORDANCE WITH THE CITY OF RIVERSIDE, STANDARD DRAWINGS AND STANDARD SPECIFICATIONS FOR PUBLIC WORKS CONSTRUCTION, 1970 EDITION.
 2. IT SHALL BE THE RESPONSIBILITY OF THE CONTRACTOR TO CLEAR THE RIGHT OF WAY IN ACCORDANCE WITH THE PROVISIONS OF LAW AS IT AFFECTS EACH UTILITY INCLUDING IRRIGATION LINES AND APPURTENANCES AND AT NO COST TO THE CITY.
 3. JOINTS SHALL BE IN CONFORMANCE TO A.S.T.M. SPECIFICATIONS C-425-64, TYPE I OR III, OR TO A.S.T.M. SPECIFICATIONS C-594-66T (BAND SEAL) WITH CERTAIN EXCEPTIONS ON FILE WITH THE CITY ENGINEERS.
 4. PIPE SHALL BE BEDDED PER CASE I, STANDARD DRAWING ND-152, UNLESS OTHERWISE SPECIFIED ON PLAN.
 5. LATERAL TO BE 4" V.C.P. AND EXTEND TO PROPERTY LINE.
 6. LOCATION OF THE LATERAL TO BE AS ON THE PLAN, AVOID CONFLICT WITH PROPOSED AND/OR EXISTING FACILITIES.
 7. ALL MANHOLES TO BE CITY OF RIVERSIDE STD. 500 & CLEANOUTS STD. 560.
 8. ALL STUBS AT MANHOLES SHALL BE 2' LONG AND PLUGGED.

BENCH MARK ELEVATION 924.92'
 S&L IN SOUTHWEST CURB RETURN @ INTERSECTION OF
 SEDGWICK & PENNSYLVANIA AVENUES. C/R F.B. 661 PG. 20 & 36

Contractor agrees that he shall assume sole and complete responsibility for job site conditions during the course of construction of this Project, including safety of all persons and property; that this requirement shall apply continuously and not be limited to normal working hours; and that the Contractor shall defend, indemnify and hold the Owner and the Engineer harmless from any and all liability, real or alleged, in connection with the performance of work on this Project, excepting for liability arising from the sole negligence of the Owner or the Engineer.

DATE 1-15-73 BY RW CHECKED BY CC	LOCKWOOD ENGINEERING & SURVEYING COMPANY, INC. 380 W. FOOTHILL BLVD. RIALTO, CALIFORNIA RCE 9101	GRADE CHANGED TO conform to grading plan & added sewer easements over Lots 18 & 19, shown M&S at 279 WMS 1/15/73	CITY OF RIVERSIDE, CALIFORNIA DEPARTMENT OF PUBLIC WORKS	TRACT No. 4739 SEGWICK AVENUE S&L IN SOUTHWEST CURB RETURN SOUTH OF PENNSYLVANIA AVENUE	PROJECT NO. 5-912 SHEET 1 OF 2 FILE NO.
		DESIGNED BY RW DRAWN BY RW CHECKED BY WMS	APPROVED BY BY DATE PRINCIPAL ENGINEER WMS 1/15/73 PARK DEPARTMENT TRAFFIC DIVISION CHIEF P. W. ENGR. WMS DATE FEB. 7, 1973	APPROVED BY William D. Gardner DIRECTOR OF PUBLIC WORKS DATE FEB. 7, 1973	HORIZ. SCALE: 1" = 40' VERT. SCALE: 1" = 4'



DATE 1-15-73 DR. BY RW CHKD BY LL	LOCKWOOD ENGINEERING & SURVEYING COMPANY, INC. 380 W. FOOTHILL BLVD. RIALTO, CALIFORNIA <i>[Signature]</i>	CITY OF RIVERSIDE, CALIFORNIA DEPARTMENT OF PUBLIC WORKS APPROVED BY: <i>[Signature]</i> DATE: 1/17/73 PRINCIPAL ENGINEER PARK DEPARTMENT DIRECTOR OF PUBLIC WORKS TRAFFIC DIVISION CHIEF P. W. ENGR.	TRACT No. 4739 SEWER PLAN & PROFILE PROSPECT AVENUE SEDGWICK AVENUE EAST	PROJECT NO. S-912 SHEET 2 OF 2 FILE NO.
MARK DESIGNED BY: RW DRAWN BY: RW CHECKED BY: LL	REVISIONS APPR. DATE	DATE: Feb 7, 1973	HORIZ. SCALE: 1" = 40' VERT. SCALE: 1" = 4'	BENCH MARK ELEVATION 924.92 SFL IN SOUTHWEST CURB RETURN @ INTERSECTION OF SEDGWICK & PENNSYLVANIA AVENUE. 28' N. 76.1° E. 79.20' @ 96'