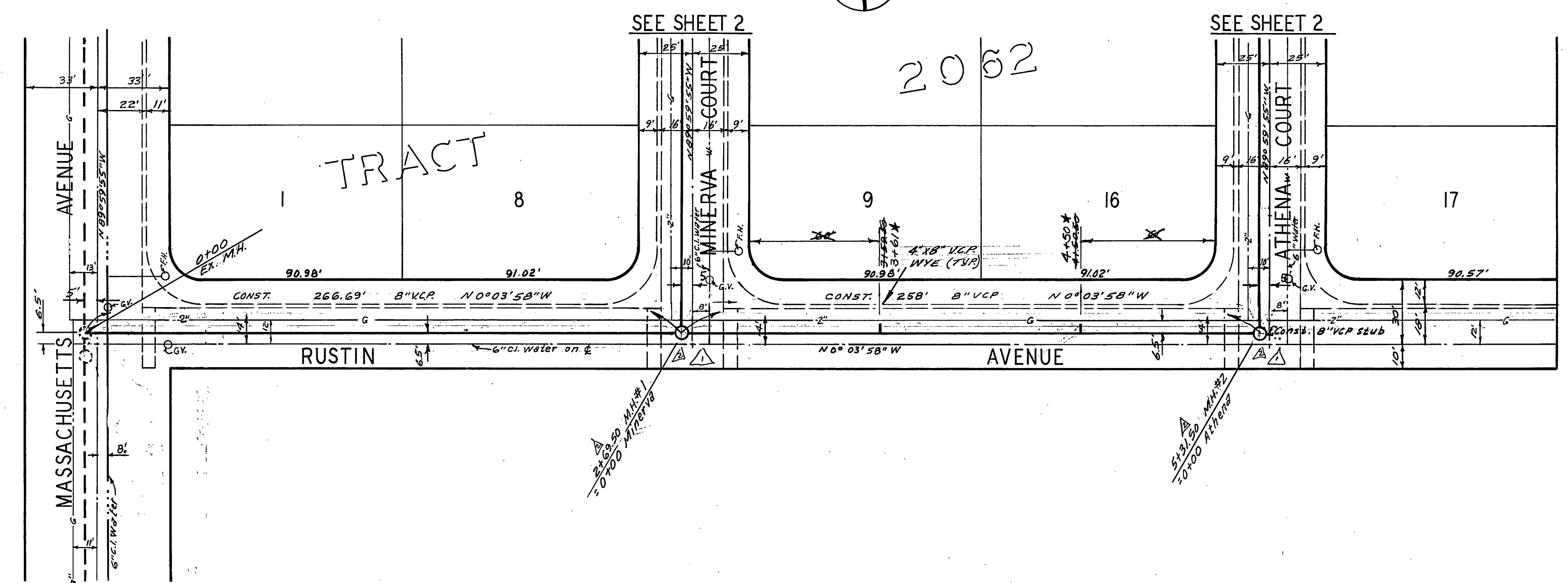


BENCH MARK
 Elev. 962.98, PK nail in concrete headwall S.E. corner Iowa & Spruce.
 C.R. F.B. 682172



GENERAL NOTES
 1. Construction shall be in accordance with the Standard Specifications for Public Works Construction, 1970 Edition, and City of Riverside Standard Drawings.

APPROVED BY
Howard L. Crean 7-14-73
 CHIEF WATER UTILITY ENGINEER

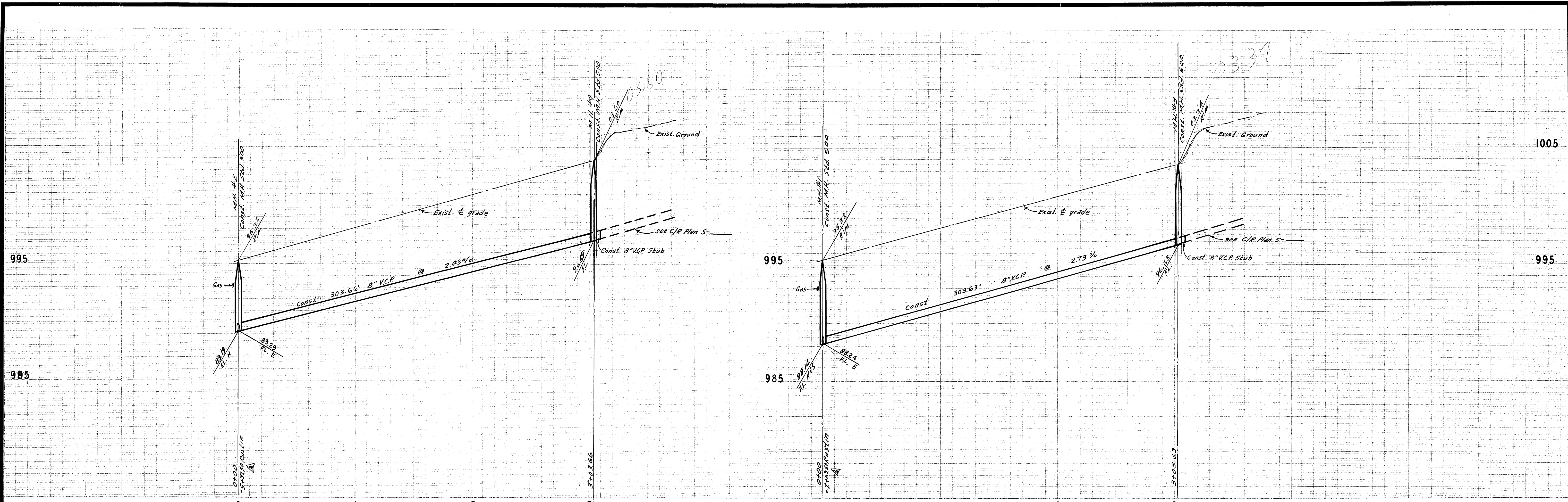
ALBERT A. WEBB ASSOCIATES
 CIVIL ENGINEERS
 RIVERSIDE, CALIFORNIA
 APPROVED BY *E. A. Webb* DATE 11/10/72
 R.E. No. 9876
 W.O. 72-270 FOR: Lewis Homes Inc. F.B. 1027

★ AS BUILT	E.A.B. 6-73
Δ Corrected Sta. of M.H.s #1 & #2	11-15-73
Δ moved M.H.s #1 & #2, revised per C.R. Public Works Dept.	3-12-73
MARK REVISIONS	APPR. DATE
DESIGNED BY <i>BEL</i> DRAWN BY <i>BEL</i> CHECKED BY <i>J.L.</i>	

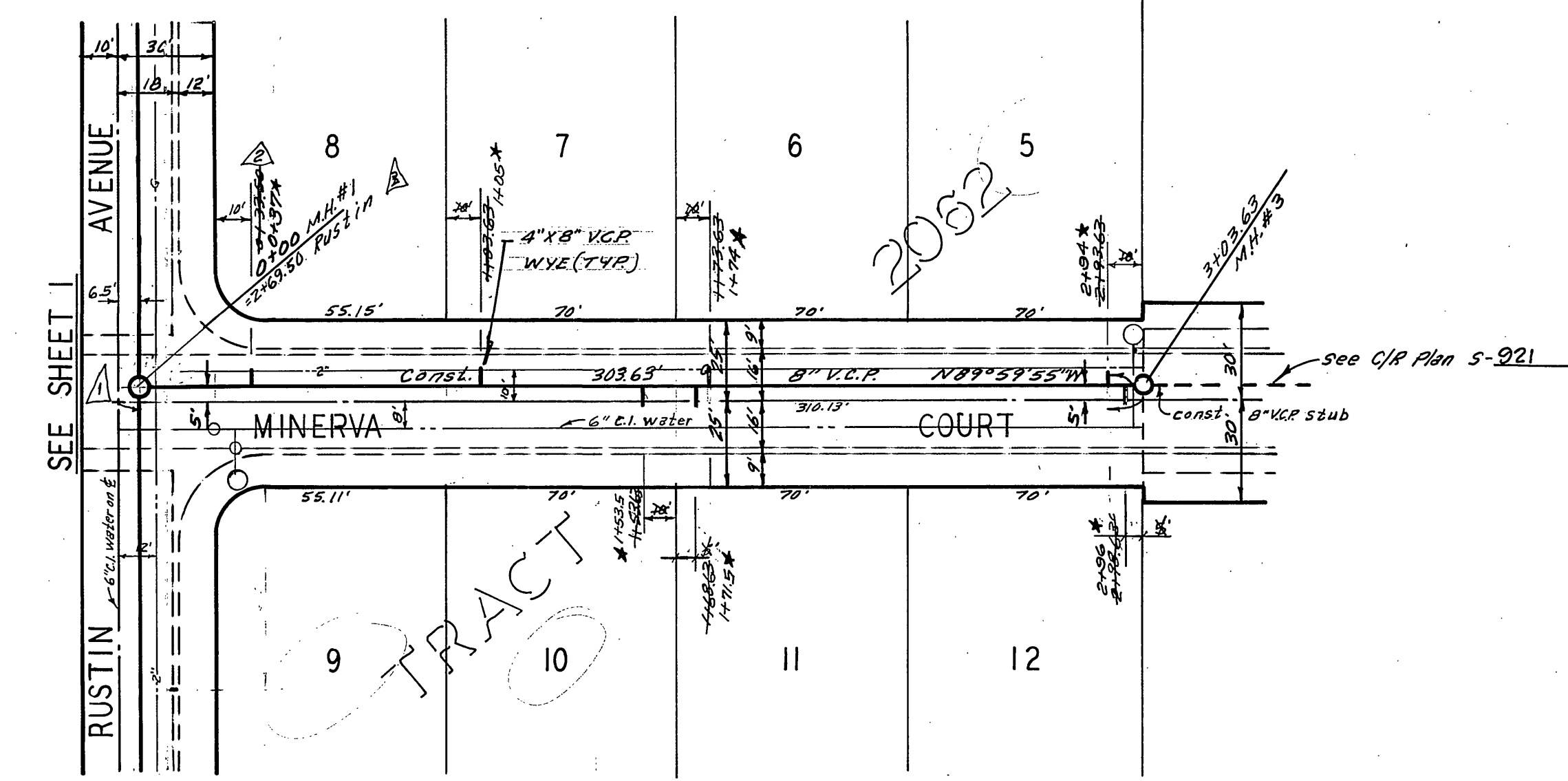
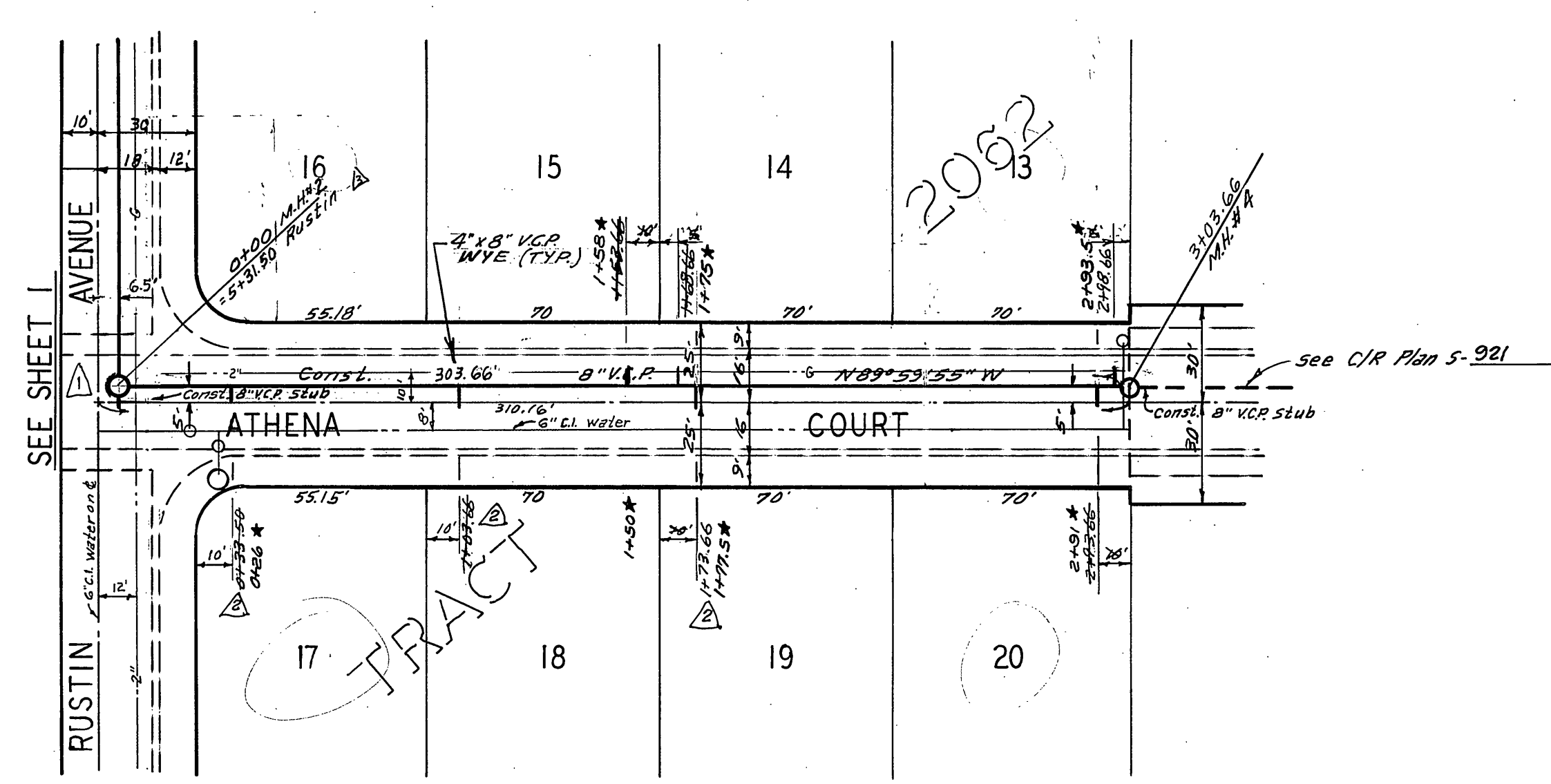
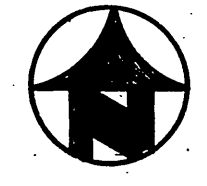
CITY OF RIVERSIDE, CALIFORNIA PUBLIC WORKS DEPARTMENT			
APPROVED BY	BY	DATE	APPROVED BY
PRINCIPAL ENGINEER	<i>[Signature]</i>	2-20-73	<i>[Signature]</i>
PARK DEPARTMENT			DIRECTOR OF PUBLIC WORKS
TRAFFIC DIVISION			
CHIEF PUB. WKS. ENGR.	<i>[Signature]</i>	2-19	DATE 2-20-73

TRACT 4790
SEWER EXTENSION
 RUSTIN AVE. FROM MASSACHUSETTS
 AVE. TO ATHENA CT.
 SCALE: 1" = 40' Horiz., 1" = 4' Vert.

ACCOUNT No.
 DRAWING NUMBER
5-920
 SHEET 1 OF 2
 72-270-B



BENCH MARK
Elev. 962.98, PK nail in concrete headwall S.E. corner Iowa & Spruce.
C/R F.B. 682178



APPROVED BY
Howard L. Creason 7-14-73
CHIEF WATER UTILITY ENGINEER

ALBERT A. WEBB ASSOCIATES
CIVIL ENGINEERS
RIVERSIDE, CALIFORNIA
APPROVED BY *Albert A. Webb* DATE 11/10/73
R.E. No. 2876
W.O. 72-270 FOR: Lewis Homes Inc. F.B. 1027

★ "AS BUILT"	EAG 6-73
corrected Sta of M.A.S. #1 & #2	5-4-73
corrected Sta of lot 16 to B.17 1887	5-4-73
moved M.A.S. #1 & #2, revised Sta. Elev. of	11-10-73
MARK REVISIONS	APPR. DATE
DESIGNED BY BEL DRAWN BY BEL CHECKED BY	

CITY OF RIVERSIDE, CALIFORNIA
PUBLIC WORKS DEPARTMENT
APPROVED BY *[Signature]* DATE 2-20-73
DIRECTOR OF PUBLIC WORKS

TRACT 4790
SEWER EXTENSION
MINERVA CT & ATHENA CT FROM
RUSTIN AVE TO TRACT 4790.
SCALE: 1" = 40' Horiz., 1" = 4' Vert.

ACCOUNT No.
DRAWING NUMBER
S-920
SHEET 2 OF 2
72-270-B