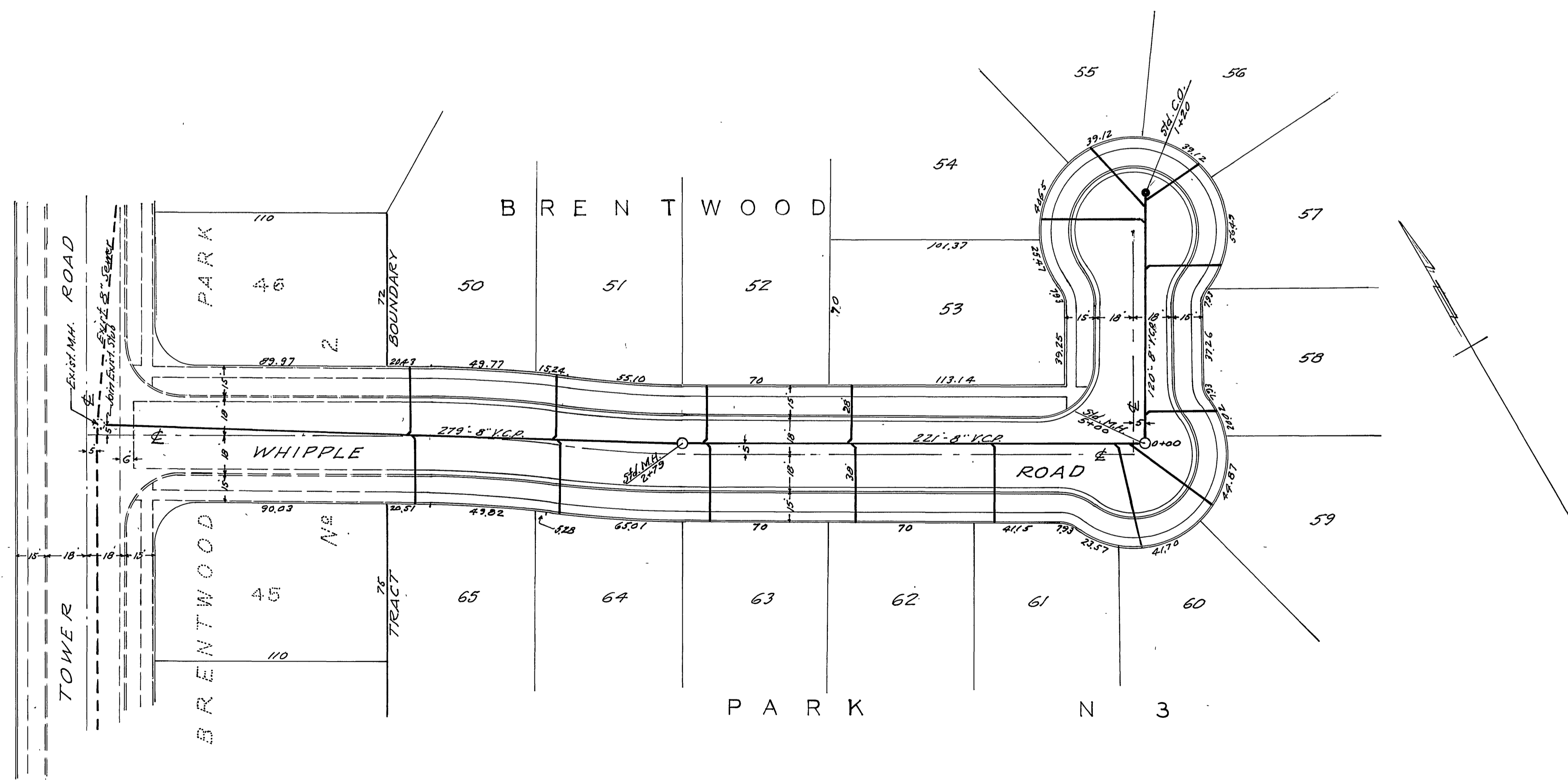


ESTIMATE OF QUANTITIES  
620 lin. ft. 8" V.C.P. Sewer  
596 " 4" " "  
16 - 8" Wyes  
2 Manholes  
1 Cleanout



NOTE:  
Wyes and laterals to be located in the field.  
Lay all wyes & laterals on minimum grade

REVISION: Change in grade of sewer. Date: Feb. 6, 1958  
Approved: *J. J. Davidson* Date: 2/1/58  
City Engineer

PROPERTY OF  
CITY OF RIVERSIDE  
DEPT. OF PUBLIC WORKS  
ENGINEERING DIVISION

J.F. DAVIDSON - CIVIL ENGINEER  
R.E. No. 862  
RIVERSIDE, CALIFORNIA  
APPROVED BY: *J. J. Davidson* Date: 7-24-57  
CITY OF RIVERSIDE, CALIFORNIA  
DEPARTMENT OF PUBLIC WORKS  
SEWER PLAN & PROFILE  
WHIPPLE ROAD  
BRENTWOOD PARK, No. 3  
PLANNED SCALE: 1" = 40'  
CONSTRUCTION SCALE: 1" = 4'  
*J. J. Davidson*  
Aug 17, 1957

B.M. Spike in RR No. 599560  
on S. Side Rubidoux Ave.  
20 ft. W. of E. Tower Road  
Elev. = 803.22