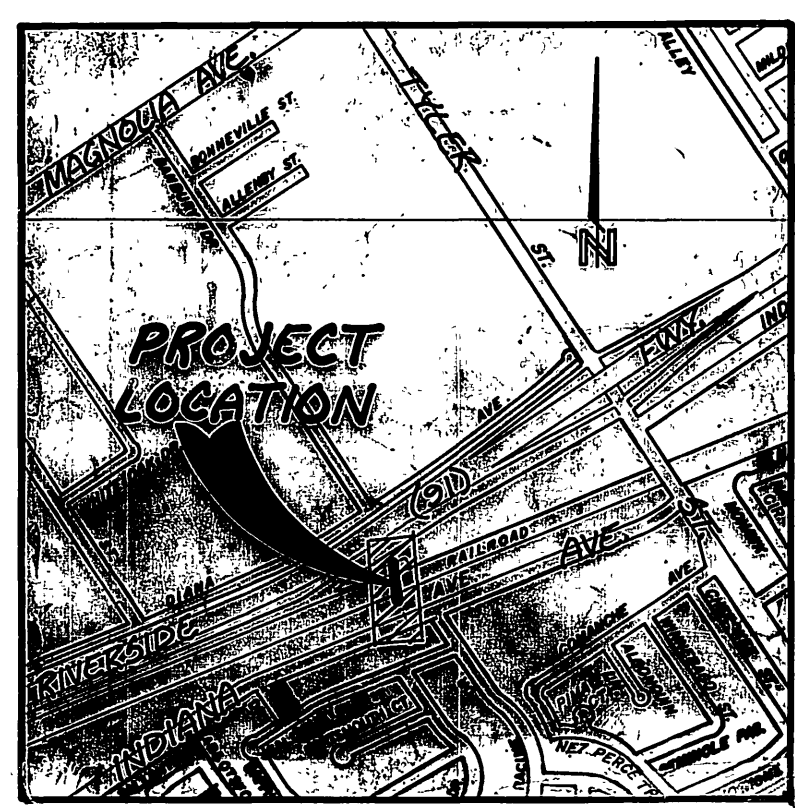


PROFILE SCALE  
 HORIZ. 1" = 40'  
 VERT. 1" = 4'

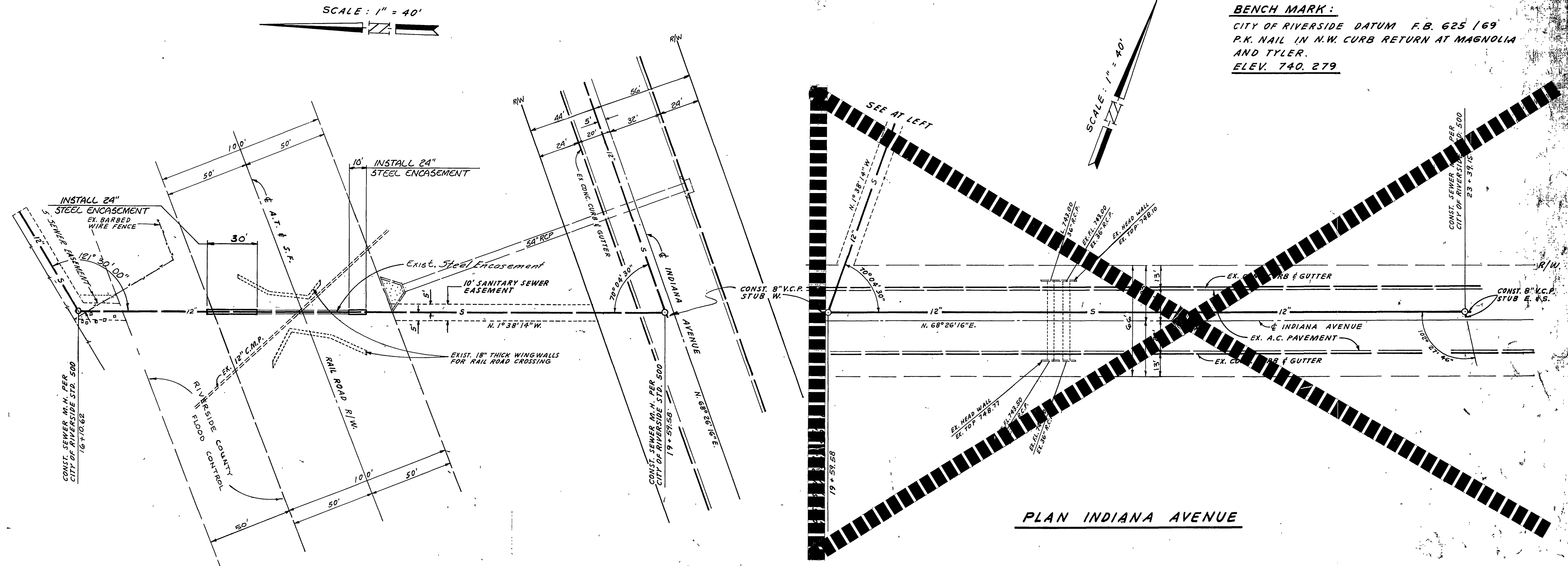
PROFILE INDIANA AVENUE

**GENERAL CONSTRUCTION NOTES**

- 1 EXISTING UTILITIES SHOWN ON THIS PLAN ARE PLOTTED FROM UTILITY RECORDS. THE CONTRACTOR IS REQUIRED TO TAKE DUE PRECAUTIONARY MEASURES TO LOCATE AND PROTECT ALL UTILITIES WHETHER OR NOT SHOWN ON THIS PLAN. IF THE COVER OF A UTILITY IS KNOWN, IT IS SHOWN IN THE PROFILE. UTILITIES IN THE PROFILE AS ---○--- INDICATES THAT THE COVER IS UNKNOWN, BUT THE UTILITY IS NOT EXPECTED TO CONFLICT WITH THE PROPOSED IMPROVEMENTS.
- 2 ALL ELEVATIONS SHOWN ON THE PLANS SHALL BE STAKED IN THE FIELD.
- 3 PRIME CONTRACTORS BIDDING THIS WORK SHALL HAVE A CLASS 4 OR C-34 OR C-42 LICENSE.
- 4 RIGHTS OF ENTRY HAVE BEEN OBTAINED FOR WORK SHOWN OUTSIDE OF CITY RIGHT-OF-WAY.



PROJECT LOCATION MAP  
 SCALE: 1" = 1000'

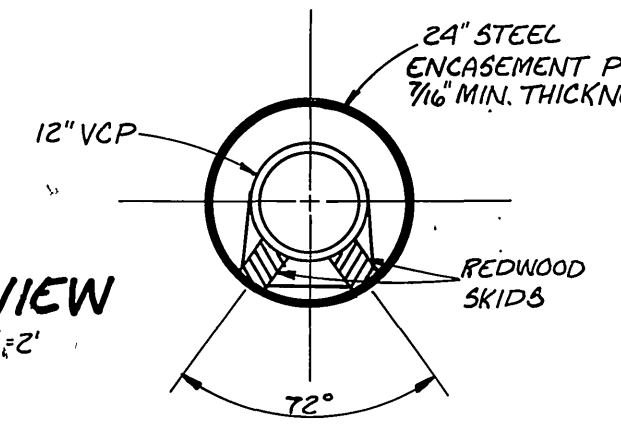


PLAN INDIANA AVENUE

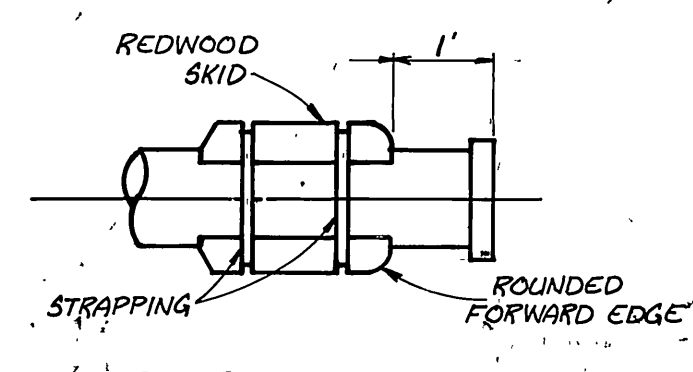
**BENCH MARK:**  
 CITY OF RIVERSIDE DATUM F.B. 625 169  
 P.K. NAIL IN N.W. CURB RETURN AT MAGNOLIA  
 AND TYLER.  
 ELEV. 740.279

**SKID SPECIFICATIONS**

ALL SKIDS SHALL BE OF REDWOOD, 24" TO 30" IN LENGTH, 4" IN WIDTH, AND OF SUFFICIENT HEIGHT TO PROVIDE A MINIMUM 1" CLEARANCE AT COUPLINGS. ALL SKIDS SHALL BE OF EQUAL DIMENSIONS AND POSITIONED UNIFORMLY WITH ONE SET OF SKIDS PER PIPE SECTION.



END VIEW  
 SCALE: 1" = 2"



BOTTOM VIEW  
 SCALE: 1" = 2"

ENGINEER IN RESPONSIBLE CHARGE  
**Lauren F. Caldwell**  
 LAUREN F. CALDWELL  
 R.C.E. 39441 EXPIRES 12/31/93  
 DATE 10/8/92

CITY OF RIVERSIDE, CALIFORNIA  
 DEPARTMENT OF PUBLIC WORKS

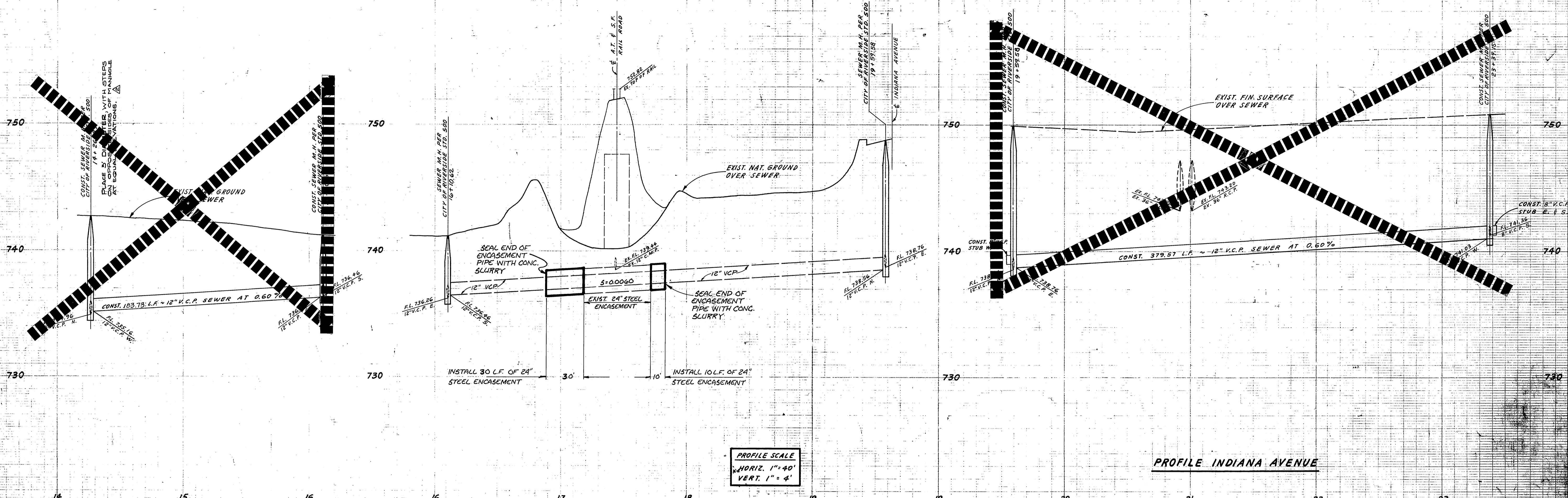
APPROVED BY: [Signature]  
 DATE: 10/28/92  
 PRINCIPAL ENGINEER

APPROVED BY: [Signature]  
 DATE: [Blank]  
 DIRECTOR OF PUBLIC WORKS

SEWER PLAN AND PROFILE  
**SEWER ENCASEMENT**  
 ARLINGTON CHANNEL @ A.T.&S.F.R.R.

PROJECT NO. **S-935A**  
 SHEET 1 OF 1  
 HORIZ. SCALE: 1" = 40' VERT. SCALE: 1" = 4'



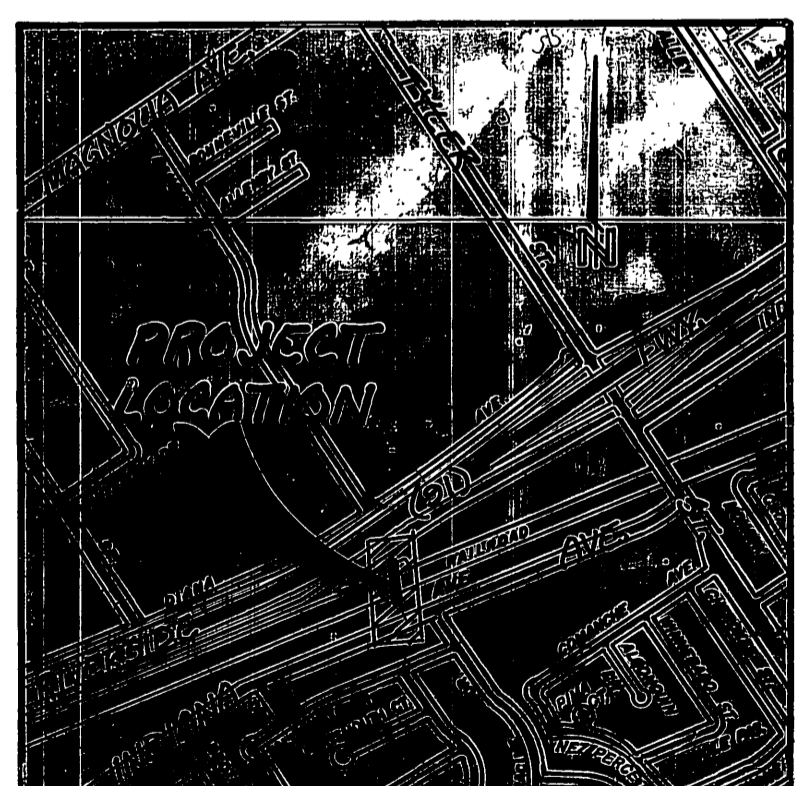


PROFILE SCALE  
 HORIZ. 1" = 40'  
 VERT. 1" = 4'

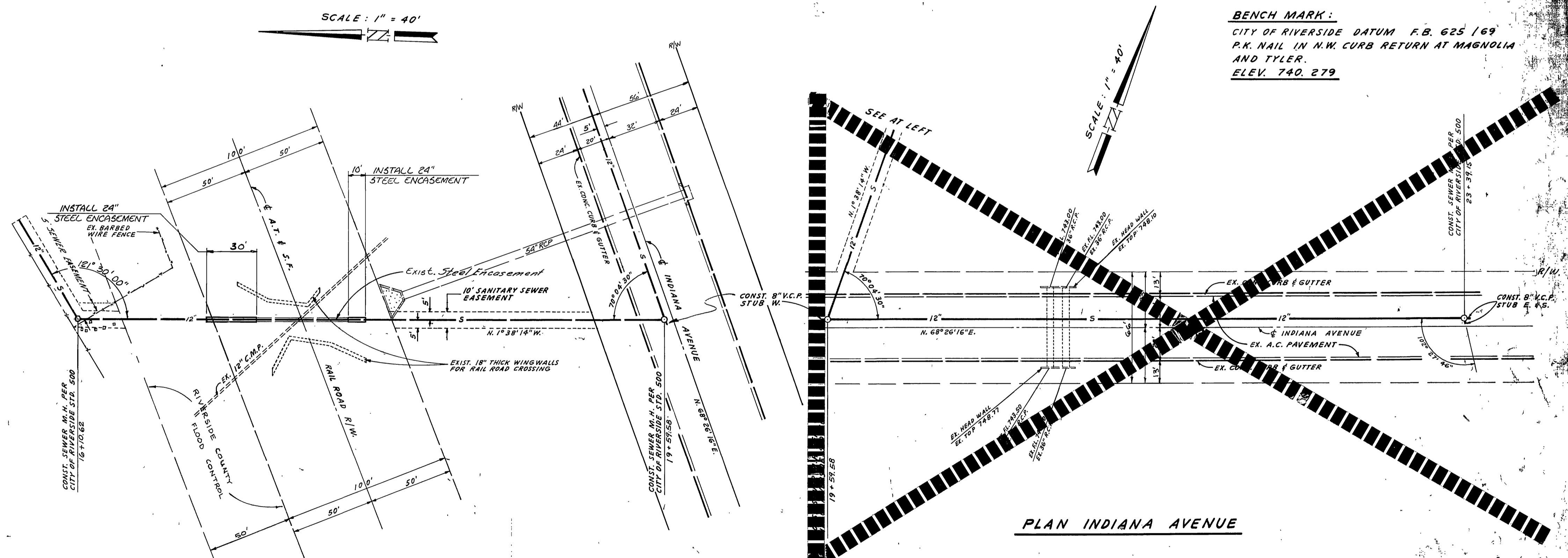
PROFILE INDIANA AVENUE

**GENERAL CONSTRUCTION NOTES**

1. EXISTING UTILITIES SHOWN ON THIS PLAN ARE DERIVED FROM CITY RECORDS. THE CONTRACTOR IS REQUIRED TO TAKE DUE PRECAUTIONARY MEASURES TO LOCATE AND PROTECT ALL UTILITIES KNOWN OR UNKNOWN SHOWN ON THIS PLAN. IF THE CENTER OF A UTILITY IS KNOWN AND IS SHOWN IN THE PROFILE UTILITIES IN THE PROFILE AS --- --- INDICATES THAT THE COVER IS UNKNOWN, BUT THE UTILITY IS NOT EXPECTED TO CONFLICT WITH THE PROPOSED IMPROVEMENTS.
2. ALL ELEVATIONS SHOWN ON THE PLANS SHALL BE STAKED IN THE FIELD.
3. PRIME CONTRACTORS BIDDING THIS WORK SHALL HAVE A CLASS A OR C-34 OR C-42 LICENSE.
4. RIGHTS OF ENTRY HAVE BEEN OBTAINED FOR WORK SHOWN OUTSIDE OF CITY RIGHT-OF-WAY.



PROJECT LOCATION MAP  
 SCALE: 1" = 1000'

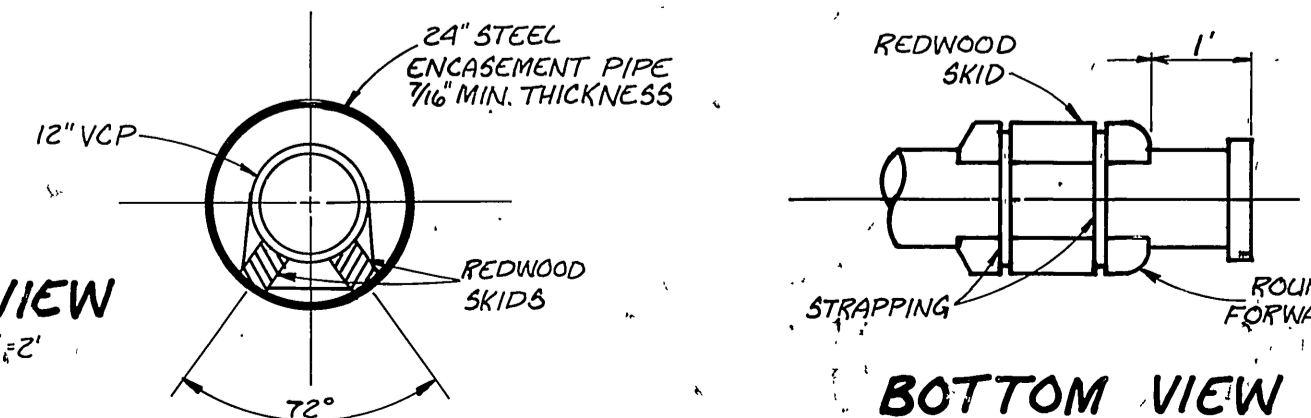


PLAN INDIANA AVENUE

**BENCH MARK:**  
 CITY OF RIVERSIDE DATUM F.B. 625 / 69  
 P.K. NAIL IN N.W. CURB RETURN AT MAGNOLIA AND TYLER.  
 ELEV. 740.279

**SKID SPECIFICATIONS**

ALL SKIDS SHALL BE OF REDWOOD, 24" TO 30" IN LENGTH, 4" IN WIDTH, AND OF SUFFICIENT HEIGHT TO PROVIDE A MINIMUM 1" CLEARANCE AT COUPLINGS. ALL SKIDS SHALL BE OF EQUAL DIMENSIONS AND POSITIONED UNIFORMLY WITH ONE SET OF SKIDS PER PIPE SECTION.



ENGINEER IN RESPONSIBLE CHARGE  
**Lauren F. Caldwell**  
 R.C.E. 39441 EXPIRES 12/31/93  
 DATE 10/8/92

NO.	REVISIONS	DATE

CITY OF RIVERSIDE, CALIFORNIA  
 DEPARTMENT OF PUBLIC WORKS  
 APPROVED BY: **[Signature]** DATE: 10/8/92  
 PRINCIPAL ENGINEER: **[Signature]** DATE: 10/8/92  
 DIRECTOR OF PUBLIC WORKS: **[Signature]** DATE: 10/8/92

SEWER PLAN AND PROFILE  
**SEWER ENCASUREMENT**  
 ARLINGTON CHANNEL @ A.T.&S.F.R.R.  
 PROJECT NO. **S935A**  
 SHEET **1** OF **1**  
 HORIZ. SCALE: 1" = 40' VERT. SCALE: 1" = 4'