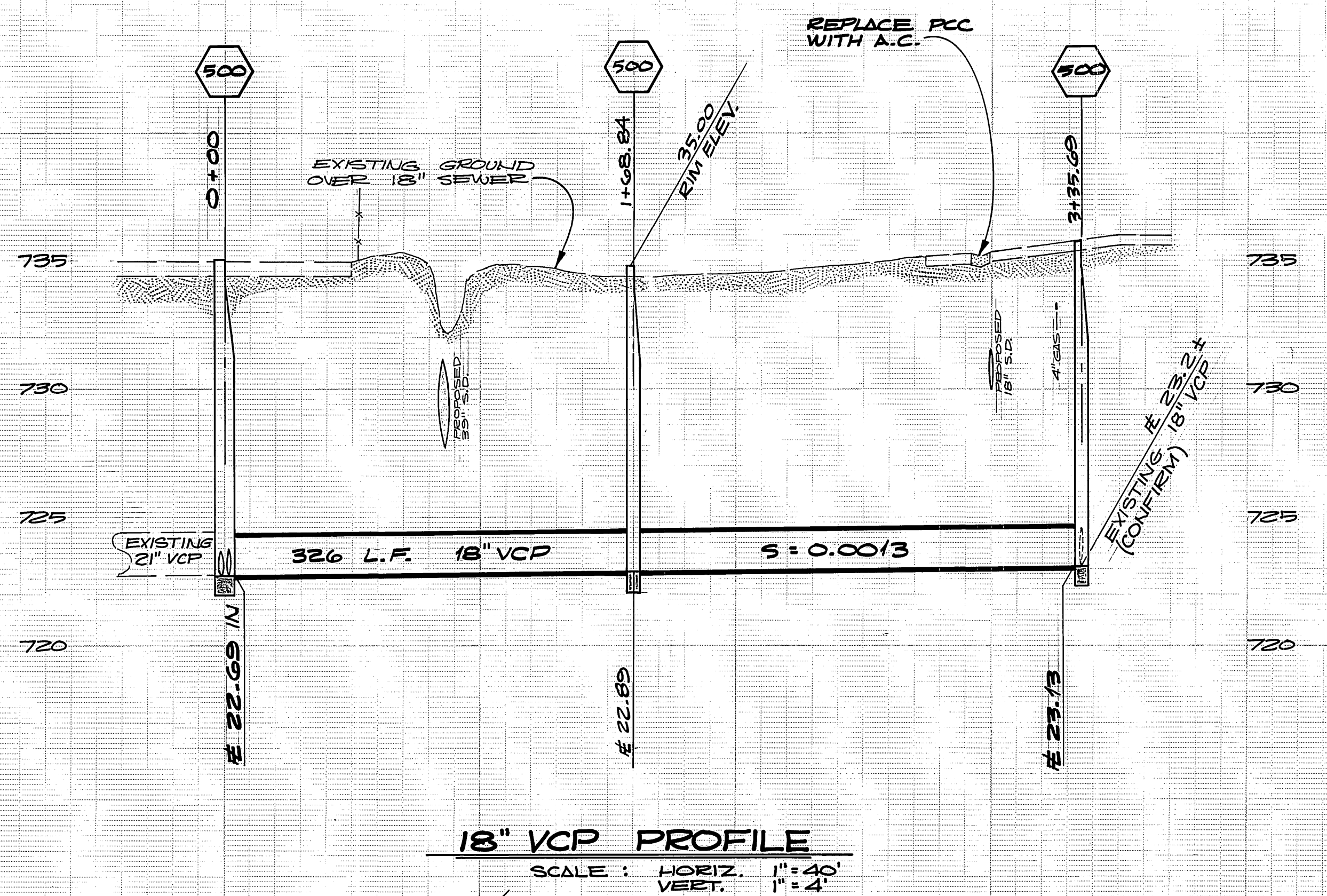


SIPHON PROFILE

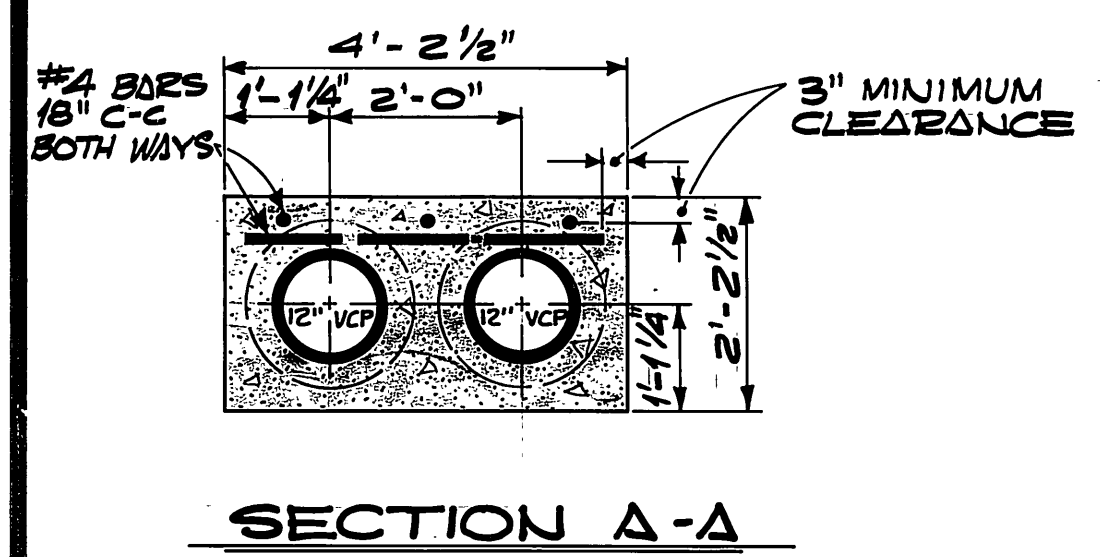
SCALE: HORIZ. 1"=10'
VERT. 1"=10'



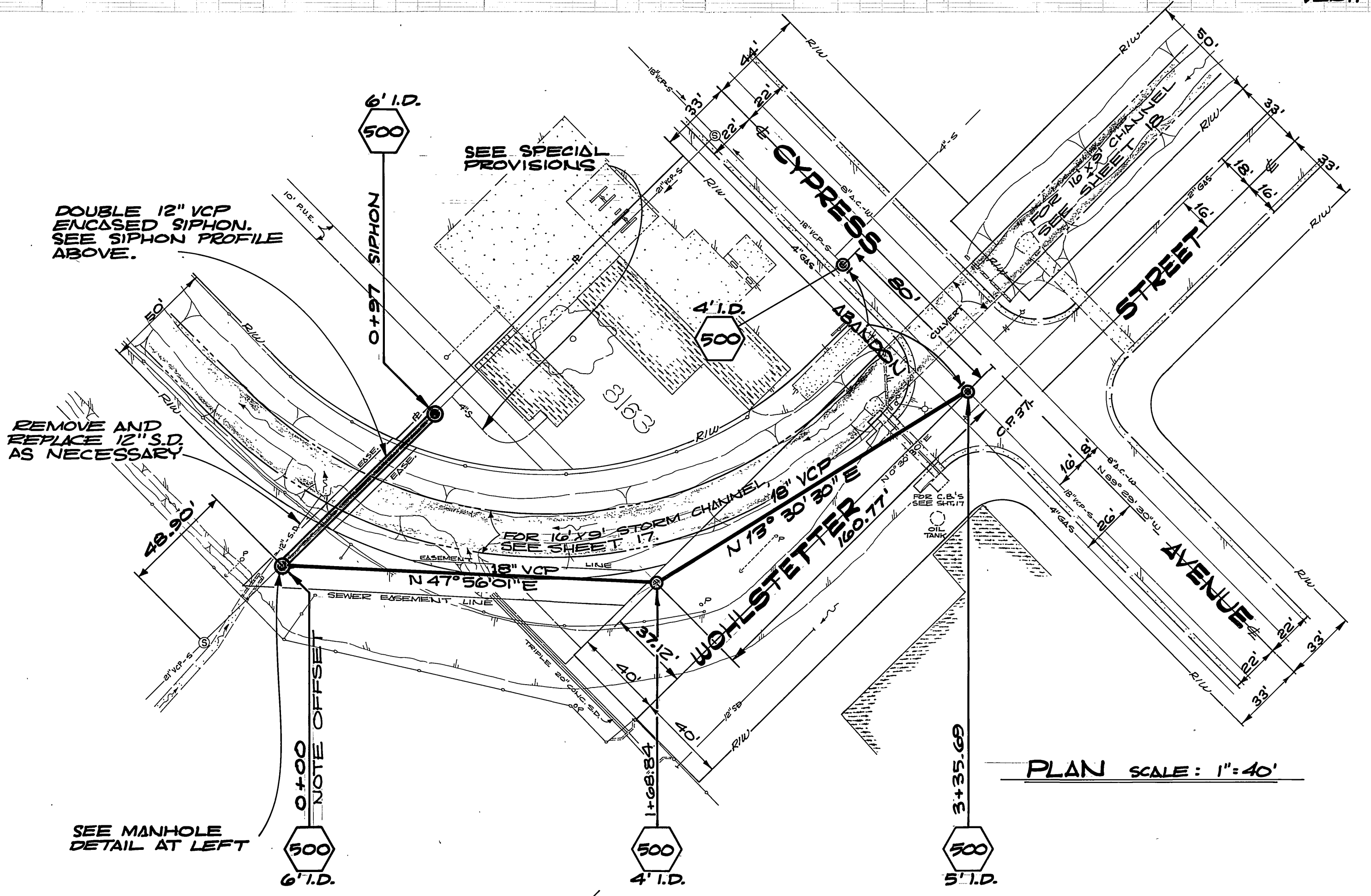
18" VCP PROFILE

SCALE: HORIZ. 1"=40'
VERT. 1"=4'

BENCH MARK: C.P. 37
BRASS DISK DOWN 0.25' AT
THE INTERSECTION OF
WOHLSTETTER ST. SOUTH, AND
CYPRESS AVENUE
ELEV. 735.35

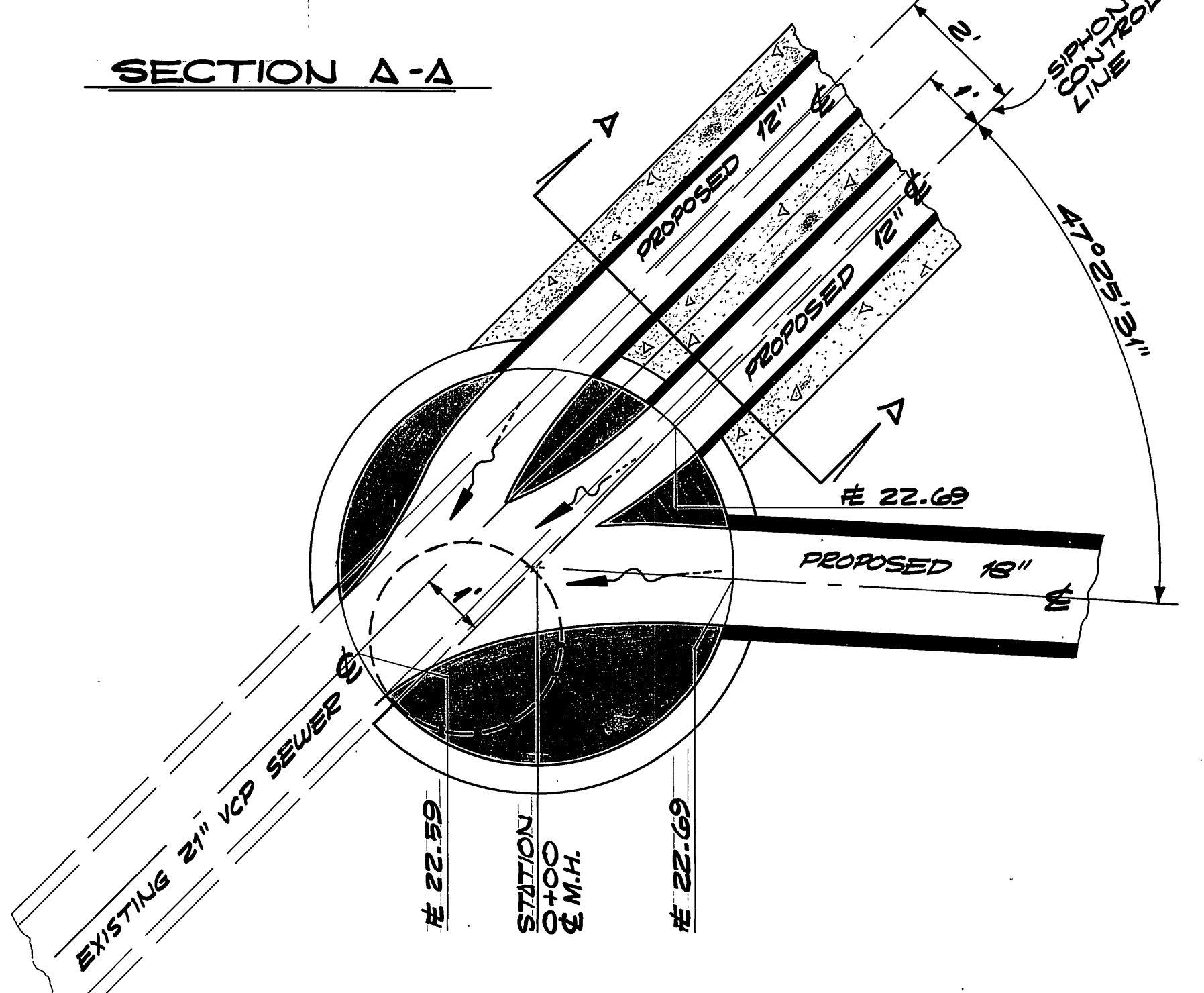


SECTION A-A



PLAN SCALE: 1"=40'

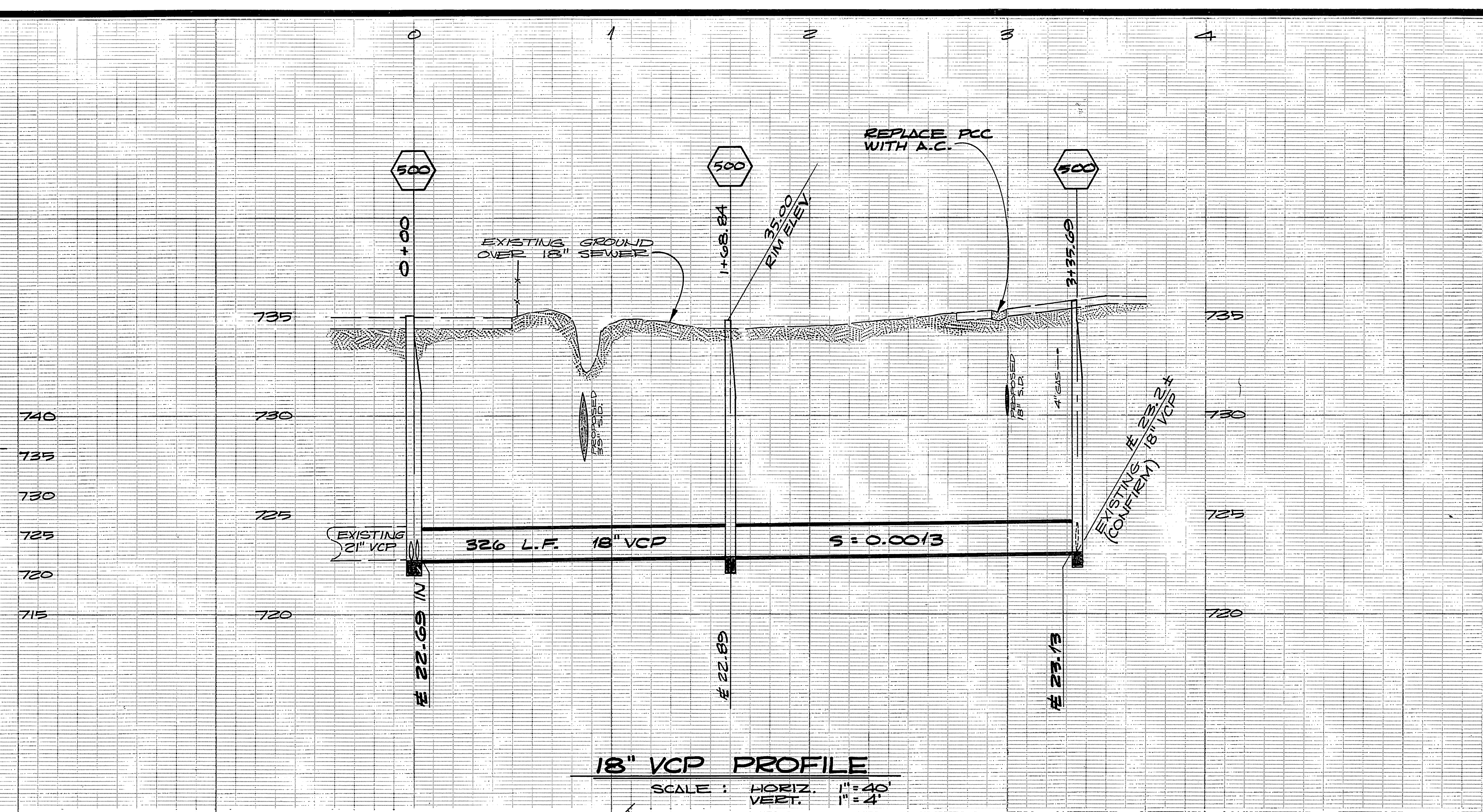
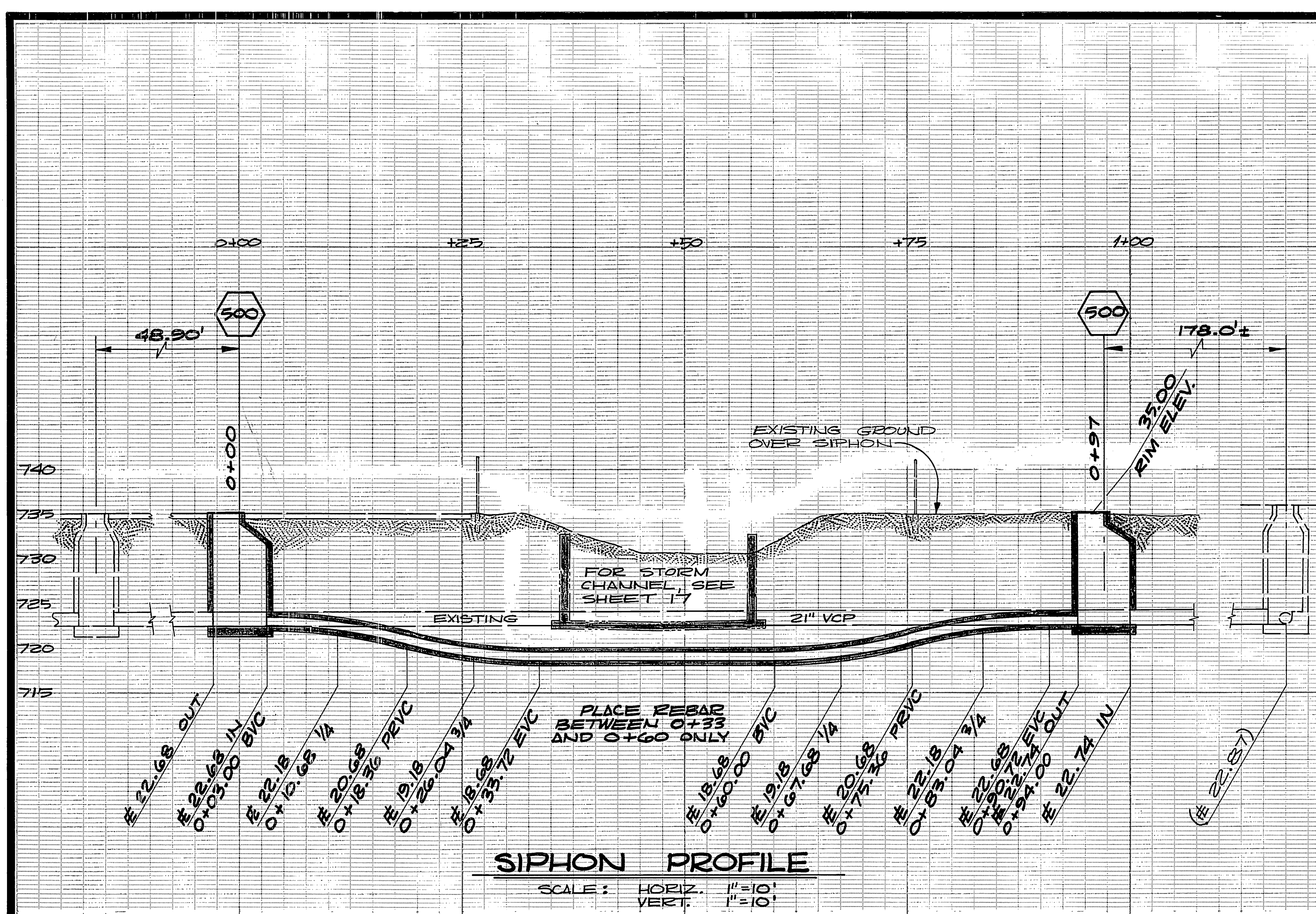
- 500 CONSTRUCT MANHOLE PER CITY/RIVERSIDE STANDARD DRAWING 500.
- ① VERTICAL CURVES FOR SIPHON ARE 60' RADIUS. USE 2' LENGTHS OF 12" VCP.



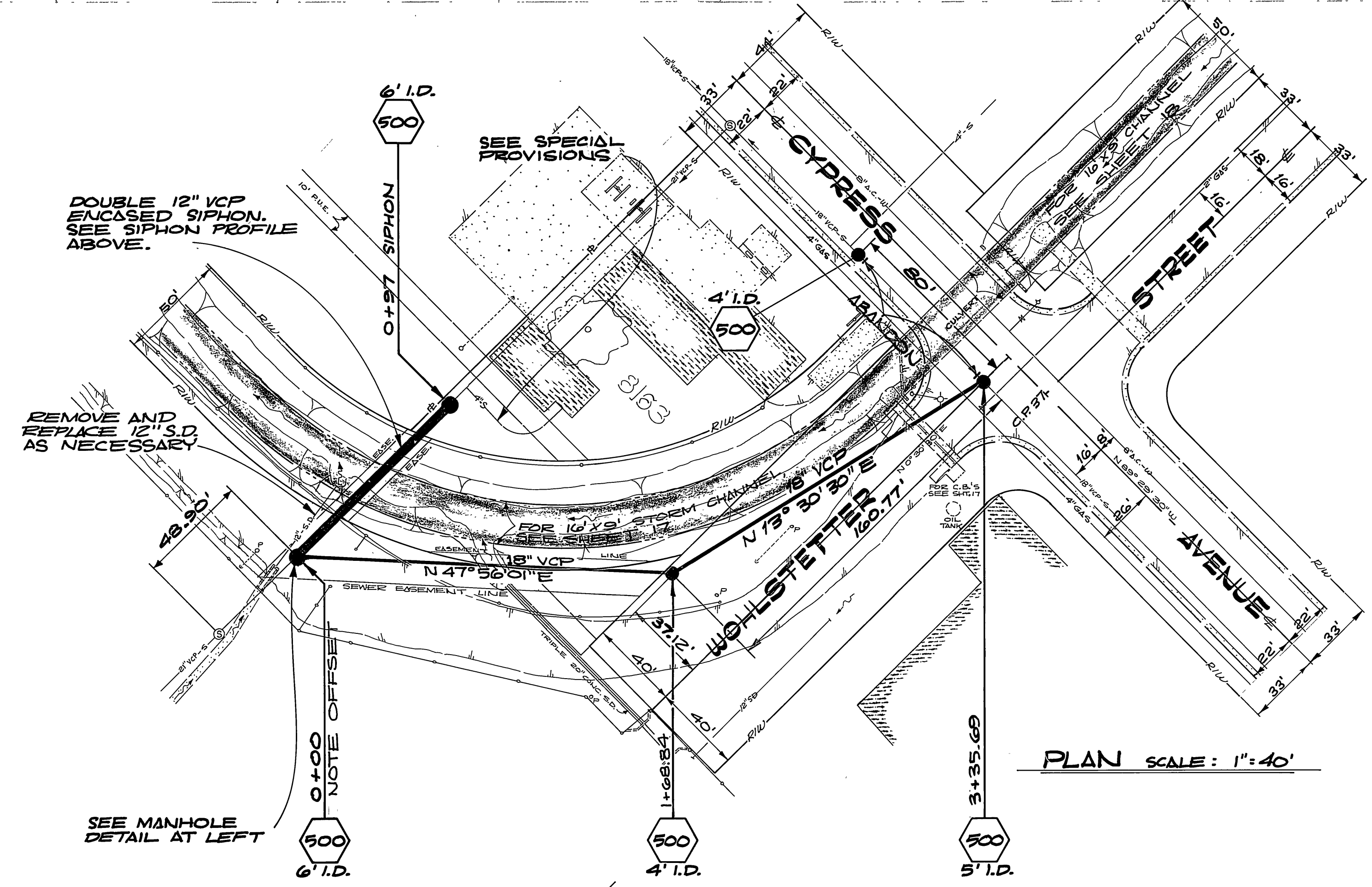
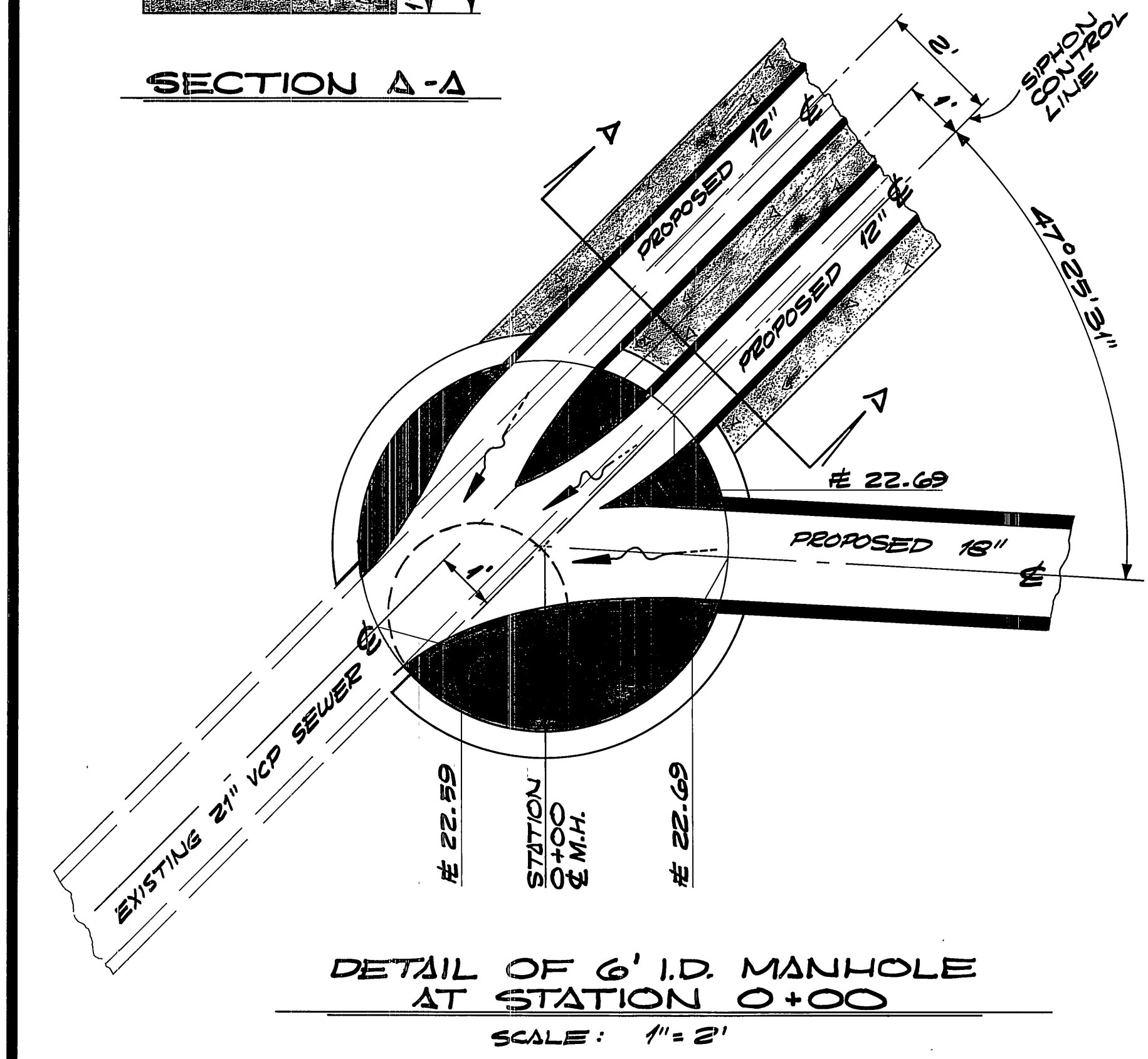
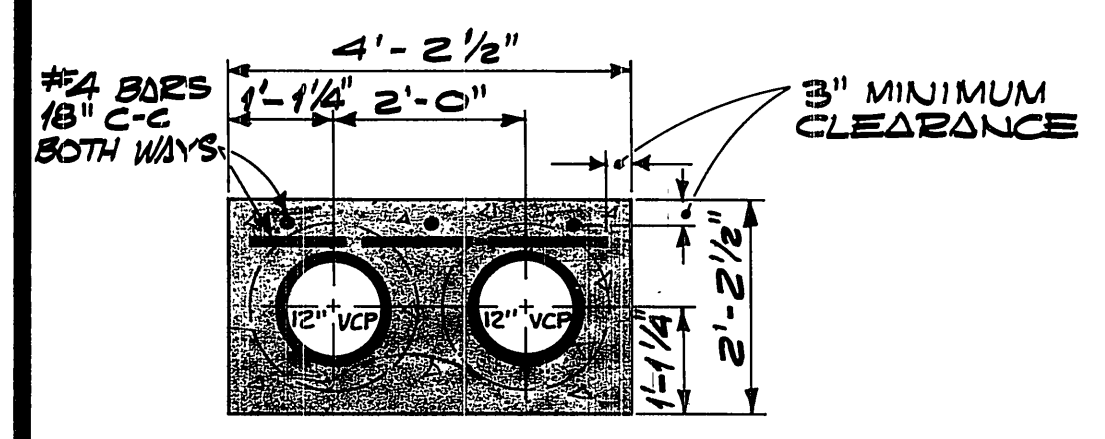
DETAIL OF 6' I.D. MANHOLE AT STATION 0+00

SCALE: 1"=2'

CITY OF RIVERSIDE PUBLIC WORKS DEPARTMENT		Anza Channel Sewer Relocations		ACCOUNT NO. 32-577-509 S-970 SHEET 11 OF 11
APPROVED BY PRINCIPAL ENGINEER PARK DEPARTMENT SEWER SYSTEMS CHIEF P. W. ENGINEER	APPROVED BY PUBLIC WORKS DIRECTOR	DESIGNED BY DRAWN BY CHECKED BY	DATE 12-3-74	HORIZ. SCALE: AS SHOWN VERT. SCALE: AS SHOWN



BENCH MARK: C.P. 37 BRASS DISK DOWN 0.25' AT THE INTERSECTION OF WOHLSTETTER ST. SOUTH, AND CYPRESS AVENUE ELEV. 735.35



500 CONSTRUCT MANHOLE PER CITY/RIVERSIDE STANDARD DRAWING 500.
① VERTICAL CURVES FOR SIPHON ARE 60' RADIUS. USE 2' LENGTHS OF 12" VCP.

CITY OF RIVERSIDE PUBLIC WORKS DEPARTMENT			Anza Channel Sewer Relocations		ACCOUNT NO. 427-72
APPROVED BY PRINCIPAL ENGINEER <i>[Signature]</i>	APPROVED BY PUBLIC WORKS DIRECTOR <i>[Signature]</i>	DATE 11-27-74	DATE 12-3-74	SHEET 1 OF 1	FILE NO.
MARK DESIGNED BY 	REVISIONS 	APPR. DATE 	CHIEF P.W. ENGINEER 	DATE 	FILE NO.