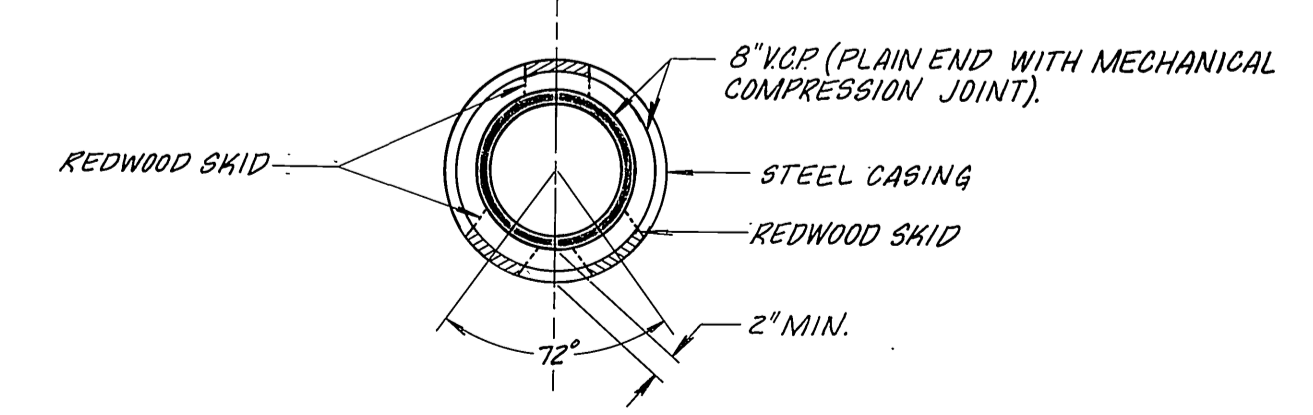
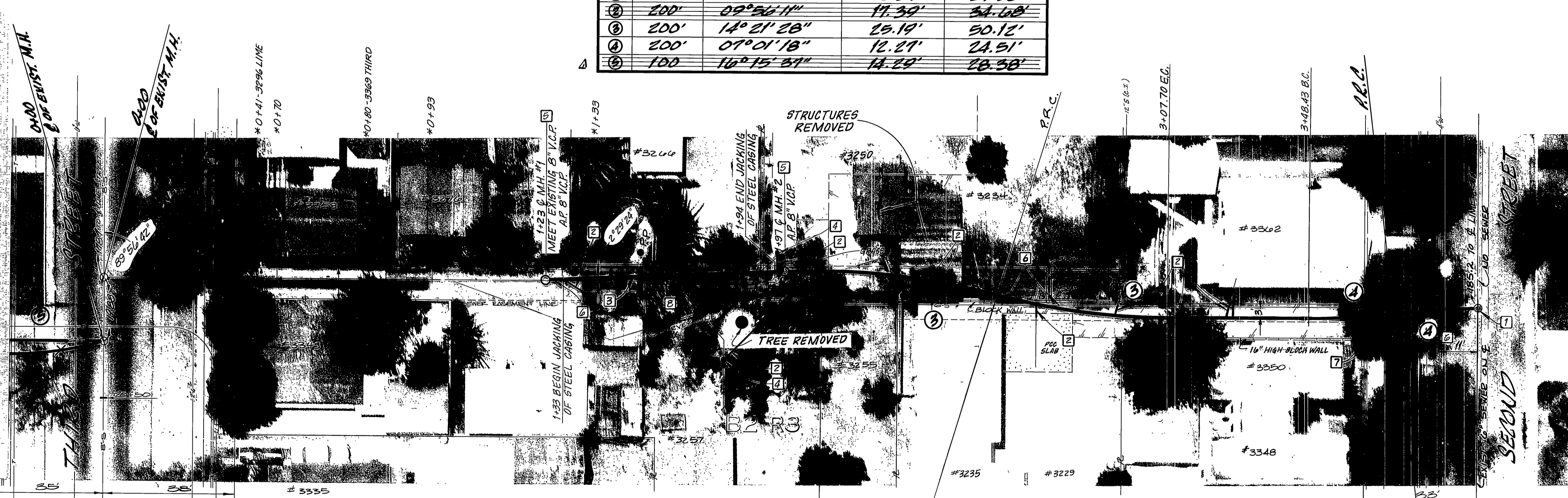
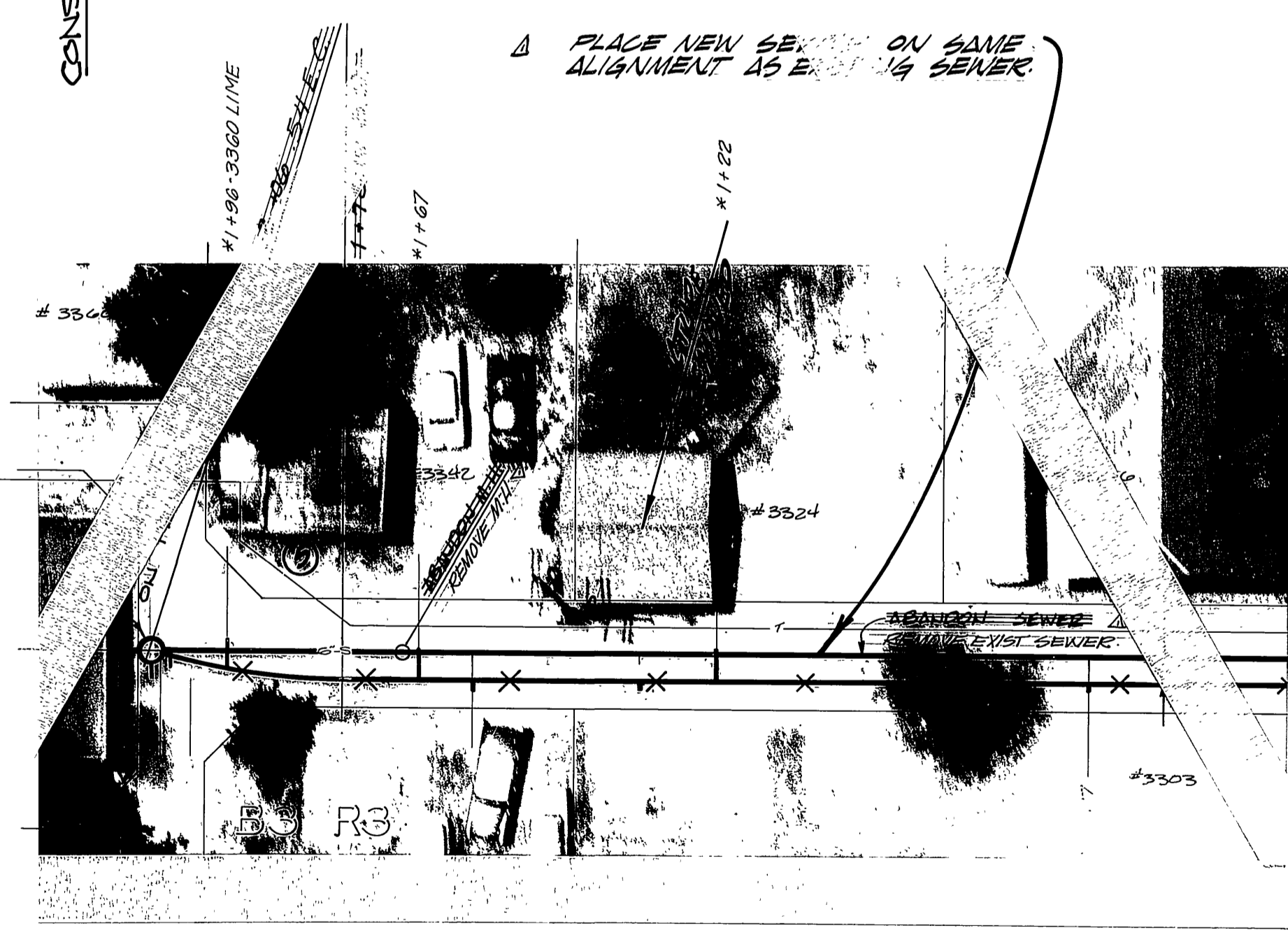


CURVE DATA

ENDS	ANGLE	TANGENT	LENGTH
①	142° 04' 11"	12.34'	24.50'
②	02° 50' 11"	17.39'	34.68'
③	14° 21' 28"	25.19'	50.12'
④	07° 01' 18"	12.27'	24.51'
⑤	16° 15' 37"	14.22'	28.58'

FB. 978 P22-25
B.M. 860 (FB. 707/62.)



STEEL CASING AND SKIDS DETAIL

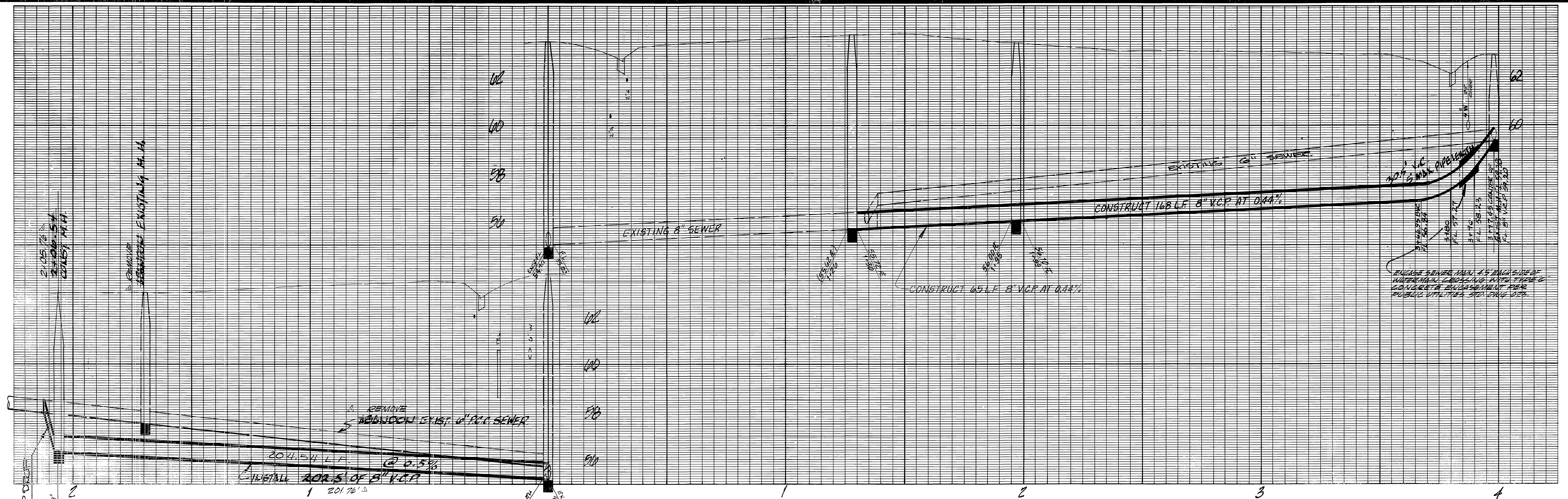
NOTES: 1. SKIDS (3 PER SECTION) SHALL BE OF REDWOOD, 48" LONG, 4" WIDE AND OF SUFFICIENT HEIGHT TO PROVIDE A MIN. 2" CLEARANCE AT COUPLINGS. ALL SKIDS SHALL BE OF EQUAL DIMENSIONS AND POSITIONED AT THE MIDPOINT OF EACH PIPE LENGTH.
2. ENDS OF CASING TO BE SEALED WITH BRICK & MORTAR. PLACE 1" MIN. PVC PIPE AT INVERT OF CASING (THROUGH BRICK) AND SURROUND WITH 2 CU. FT. CRUSHED ROCK.

CONSTRUCTION NOTES

1. CONNECT 8" VCP TO EXISTING MANHOLE.
2. RECONNECT EXISTING SEWER LATERAL TO NEW SEWER LINE PER STD. DRAWING 554, CASE "R".
3. INSTALL 8" VCP IN A JACKED STEEL CASING WITH LIMITS AS SHOWN ON THIS PLAN.
4. CONSTRUCT SEWER CLEANOUT PER STD. DRAWING 560.
5. CONSTRUCT SEWER MANHOLE PER STD. DRAWING 500.
6. ABANDON EXISTING SEWER AS REQUIRED.
7. R & R 5' x 10' DRIVEWAY.
8. SIZE OF JACKED STEEL CASING SHALL BE SUFFICIENT TO ACCOMMODATE THE 8" VCP. CASING WALL THICKNESS SHALL NOT BE LESS THAN 3/8".



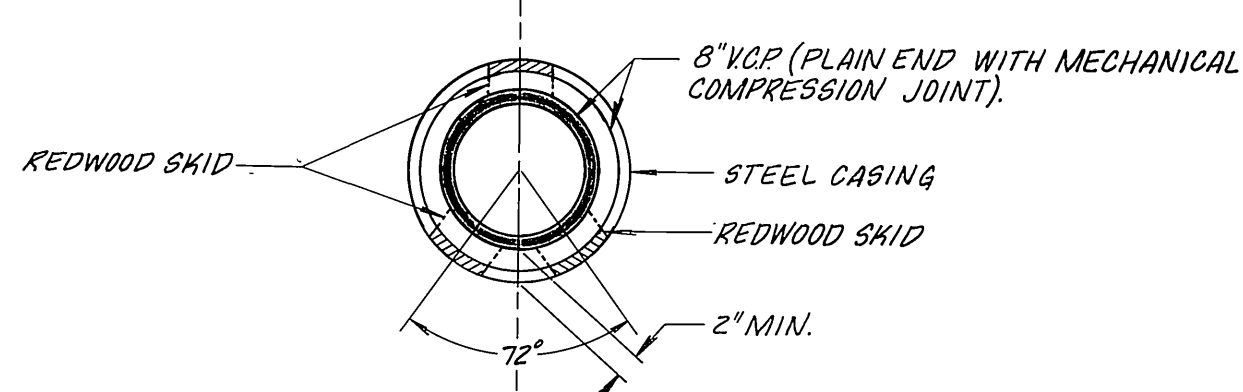
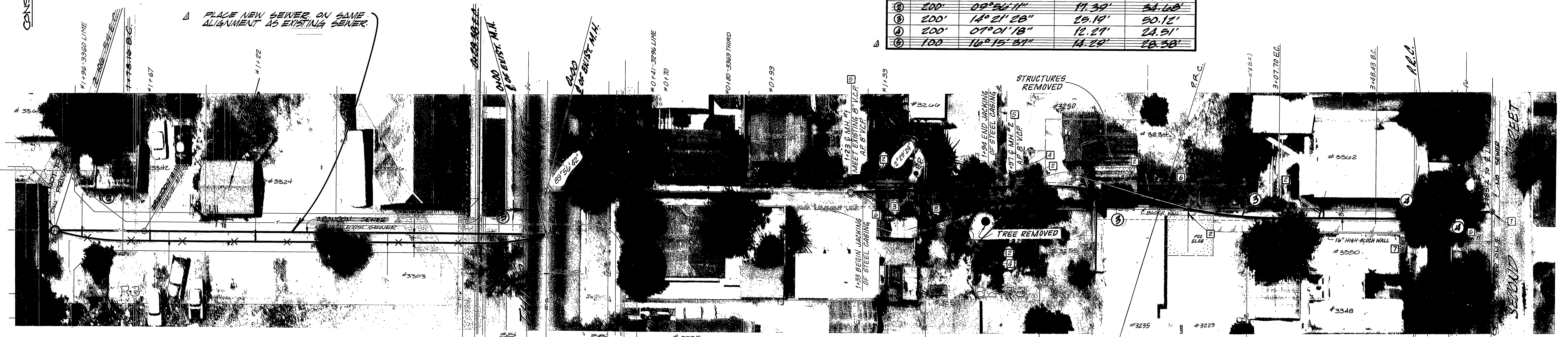
CITY OF RIVERSIDE, CALIFORNIA PUBLIC WORKS DEPARTMENT		MULBERRY-LINE SEWER REPLACEMENT		DRAWING NUMBER 3-983A
APPROVED BY PRINCIPAL ENGINEER PARK-DEPARTMENT	BY DATE 4/8/96	APPROVED BY DIRECTOR OF PUBLIC WORKS	SHEET 1 OF 1	
MARK	REVISIONS	APPR. DATE	HORIZ. SCALE: 1" = 20'	VERT. SCALE: 1" = 2'
DESIGNED BY: DW	DRAWN BY: [Signature]	CHECKED BY:	INDEXED 6-5-96 4H	



CURVE DATA

STATION	CHORD	ANGLE	TANGENT	LENGTH
1	100'	14° 04' 11"	12.34'	14.50'
2	200'	09° 56' 11"	17.39'	54.68'
3	200'	14° 21' 28"	29.19'	50.12'
4	200'	07° 01' 18"	12.21'	24.91'
5	100'	16° 15' 31"	14.22'	28.58'

F.B. 978 P.22-25
B.M. 860 (F.B. 707/62)

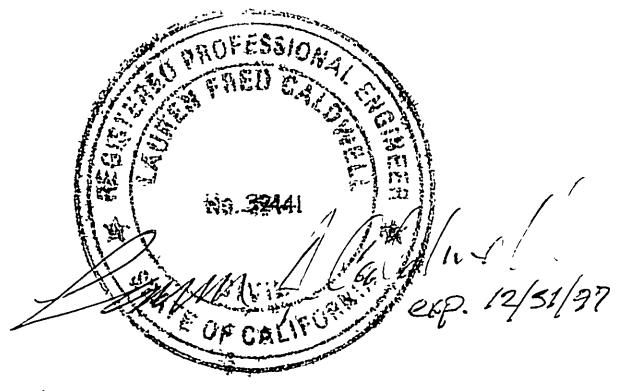


STEEL CASING AND SKIDS DETAIL

Notes: 1. SKIDS (3 PER SECTION) SHALL BE OF REDWOOD, 48" LONG, 4" WIDE AND OF SUFFICIENT HEIGHT TO PROVIDE A MIN. 2" CLEARANCE AT COUPLINGS. ALL SKIDS SHALL BE OF EQUAL DIMENSIONS AND POSITIONED AT THE MIDPOINT OF EACH PIPE LENGTH.
2. ENDS OF CASING TO BE SEALED WITH BRICK & MORTAR. PLACE 1" MIN. PVC PIPE AT INVERT OF CASING (THROUGH BRICK) AND SURROUND WITH 2 CU. FT. CRUSHED ROCK.

CONSTRUCTION NOTES

1. CONNECT 8" VCP TO EXISTING MANHOLE.
2. RECONNECT EXISTING SEWER LATERAL TO NEW SEWER LINE PER STD. DRAWING 554, CASE 'R'.
3. INSTALL 8" VCP IN A JACKED STEEL CASING WITH LIMITS AS SHOWN ON THIS PLAN.
4. CONSTRUCT SEWER CLEANDOUT PER STD. DRAWING 560.
5. CONSTRUCT SEWER MANHOLE PER STD. DRAWING 500.
6. ABANDON EXISTING SEWER AS REQUIRED.
7. R & R 5' x 10' DRIVEWAY.
8. SIZE OF JACKED STEEL CASING SHALL BE SUFFICIENT TO ACCOMMODATE THE 8" VCP. CASING WALL THICKNESS SHALL NOT BE LESS THAN 3/8".



CITY OF RIVERSIDE, CALIFORNIA PUBLIC WORKS DEPARTMENT		MULBERRY-LINE SEWER REPLACEMENT		DRAWING NUMBER 3-983A
APPROVED BY: <i>[Signature]</i> PRINCIPAL ENGINEER		APPROVED BY: <i>[Signature]</i> DIRECTOR OF PUBLIC WORKS		SHEET 1 OF 1
DESIGNED BY: <i>[Signature]</i>	DRAWN BY: <i>[Signature]</i>	CHECKED BY: <i>[Signature]</i>	DATE: 4/8/96	HORIZ. SCALE: 1" = 20' VERT. SCALE: 1" = 2'

* As built 4/97
INDEXED 6-5-96 4H