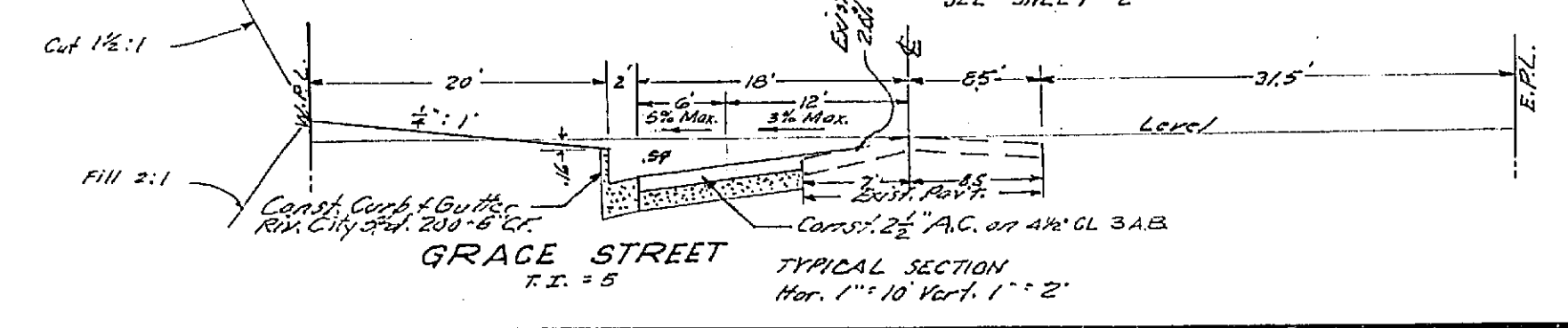
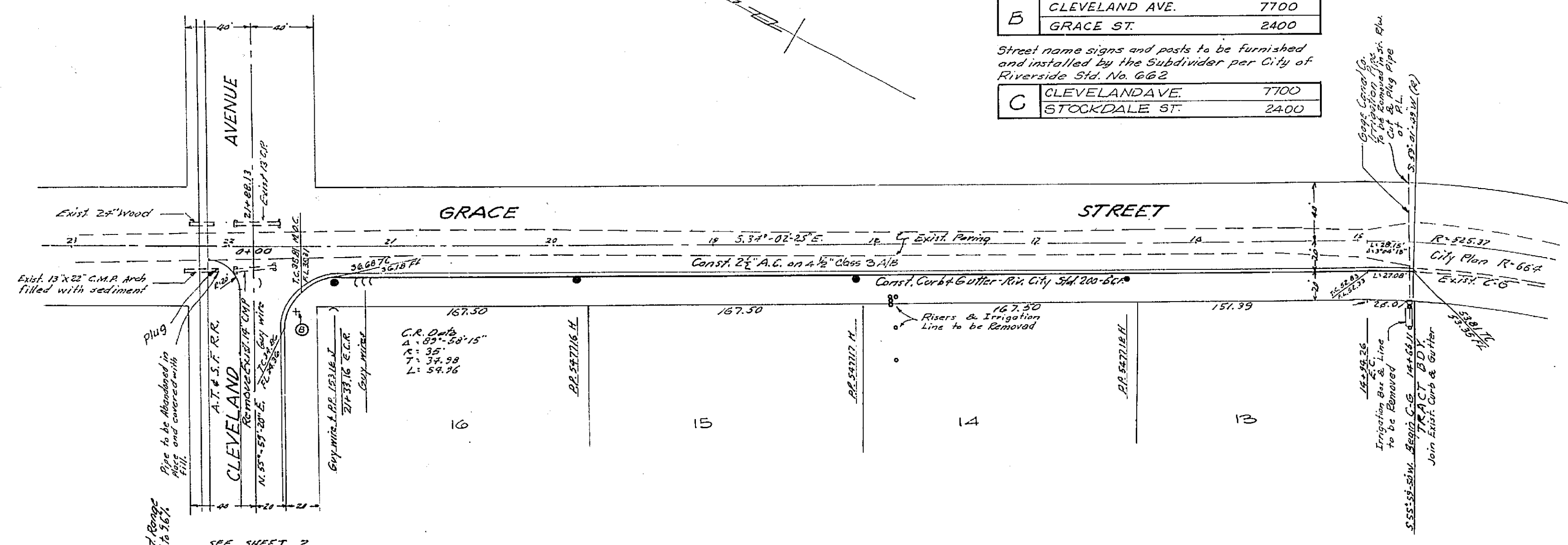


Street Name Sign Schedule

A	CLEVELAND AVE.	7700
	STONEHAVEN ST.	2400
B	CLEVELAND AVE.	7700
	GRACE ST.	2400
C	CLEVELAND AVE.	7700
	STOCKDALE ST.	2400

Street name signs and posts to be furnished and installed by the Subdivider per City of Riverside Std. No. 65-2

- GENERAL NOTES:
- It shall be the responsibility of the Contractor to clear the right of way in accordance with the provisions of law as it affects each utility including irrigation lines and appurtenances and of no cost to the City.
 - Construction shall be in accordance with the City of Riverside Department of Public Works Specifications No. 461 and Standard Drawings.
 - Prime coat, seal coat and paint binder are required.
 - Grading will require a permit under Ordinance 3093 for a cut or fill exceeding 100 cubic yards or a fill over 1 foot in depth.
 - Trim edge of existing pavement, where new paving joins existing pavement to a clean straight line. Construct match-up paving as shown and overlay paving as directed in the field to produce a smooth crown section.
 - All curb depressions of driveway approaches shall be constructed in accordance with Standard Drawing No. 302.
 - Driveway approaches are to be located in the field.
 - The finished subgrade shall have a compaction of not less than 90% for a depth of 0.5 feet as determined by test method No. Calif. 216 immediately prior to placement of the cover.

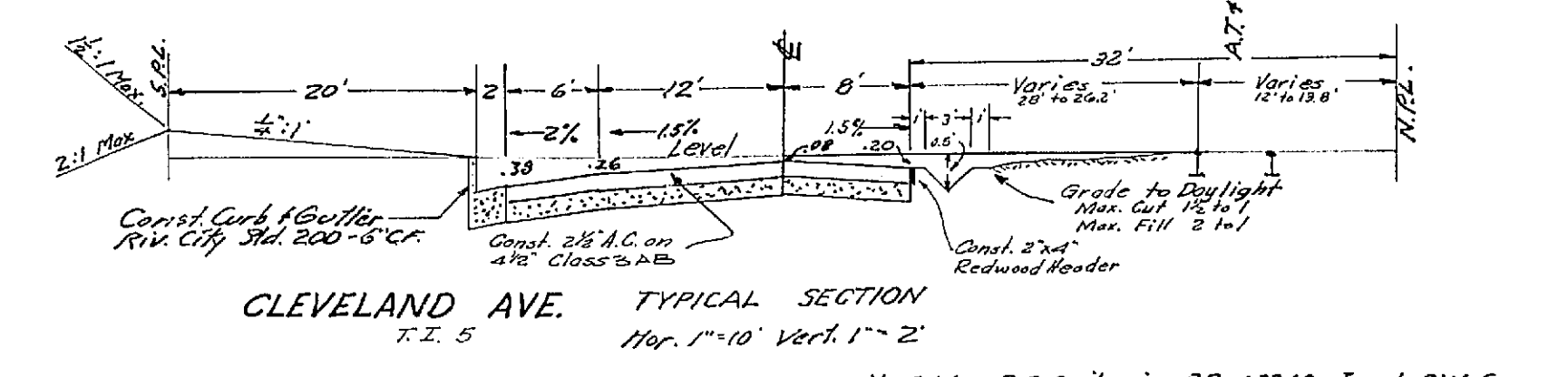
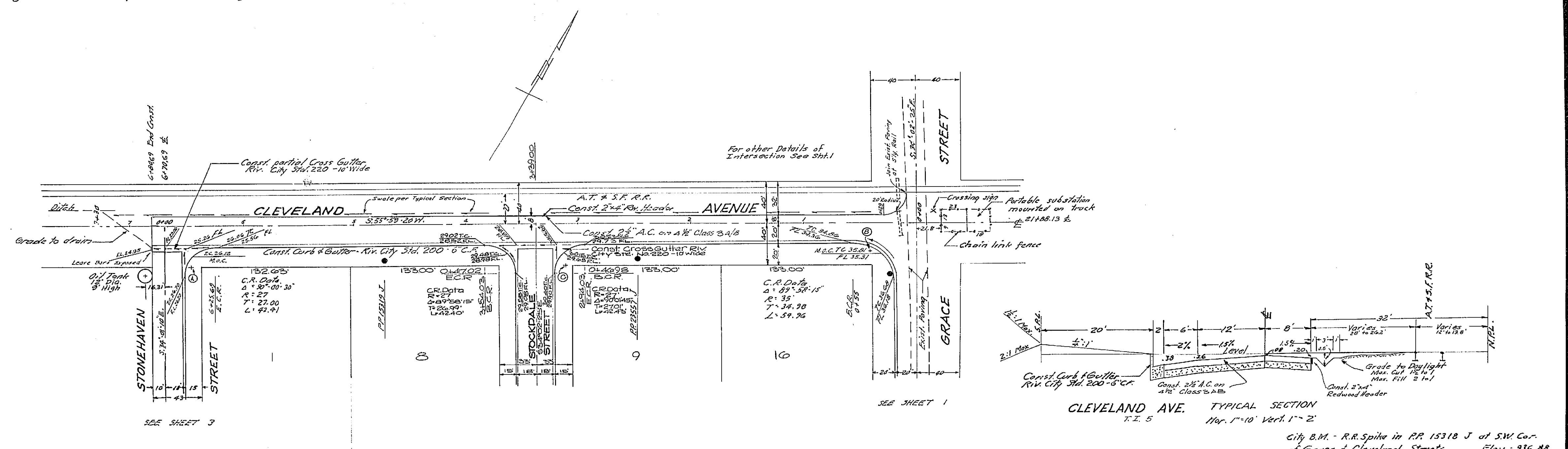
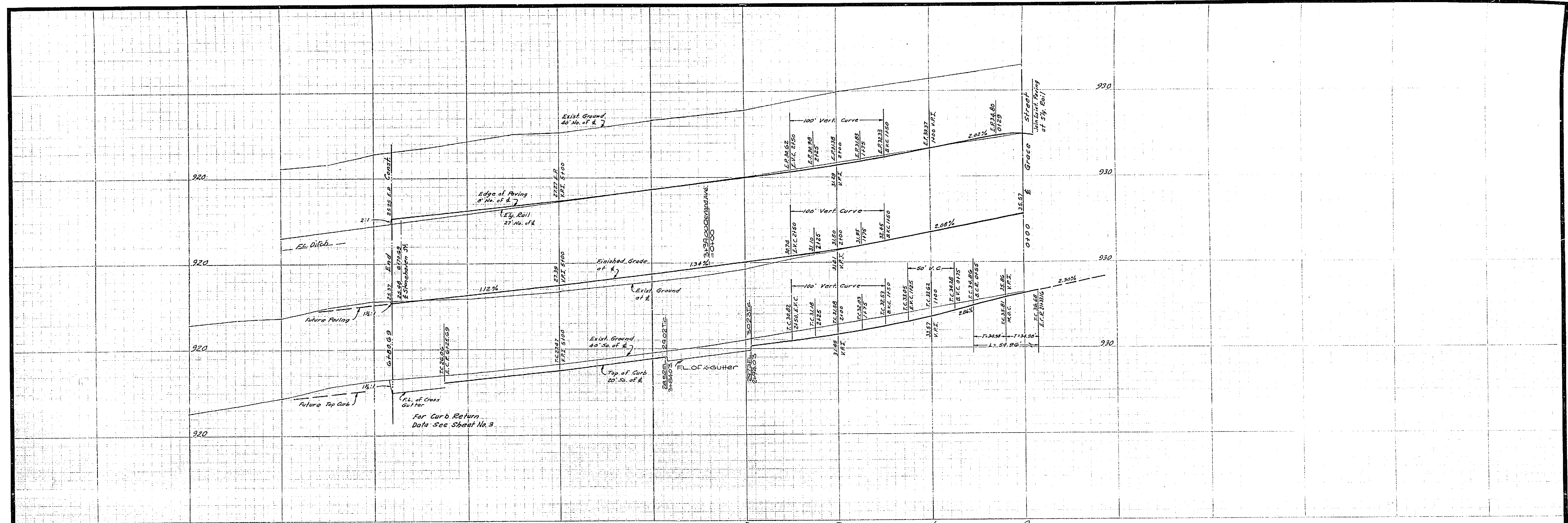


J. F. DAVIDSON ASSOCIATES
 CIVIL ENGINEERS - SURVEYORS - PLANNERS
 RIVERSIDE, CALIFORNIA
 APPROVED BY: [Signature] DATE 2-12-65
 R.E. No. 1264

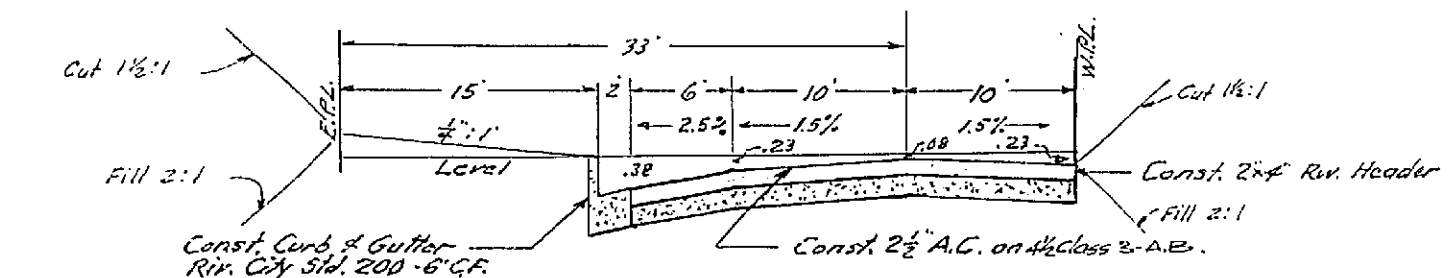
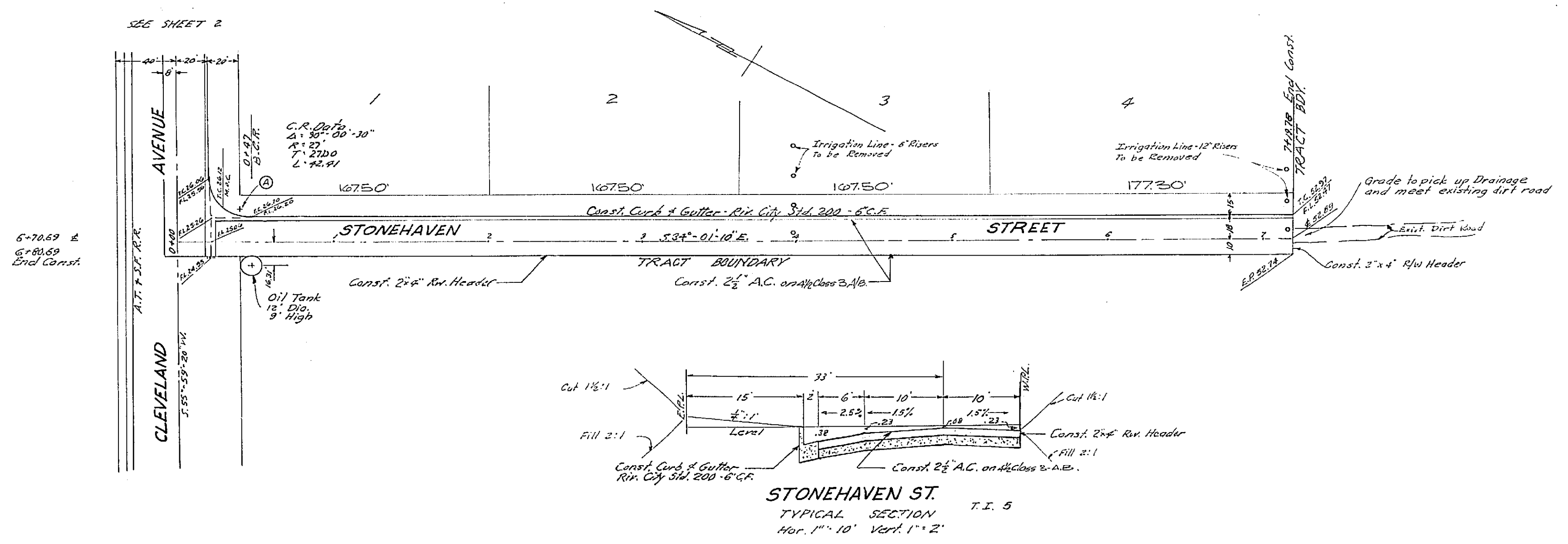
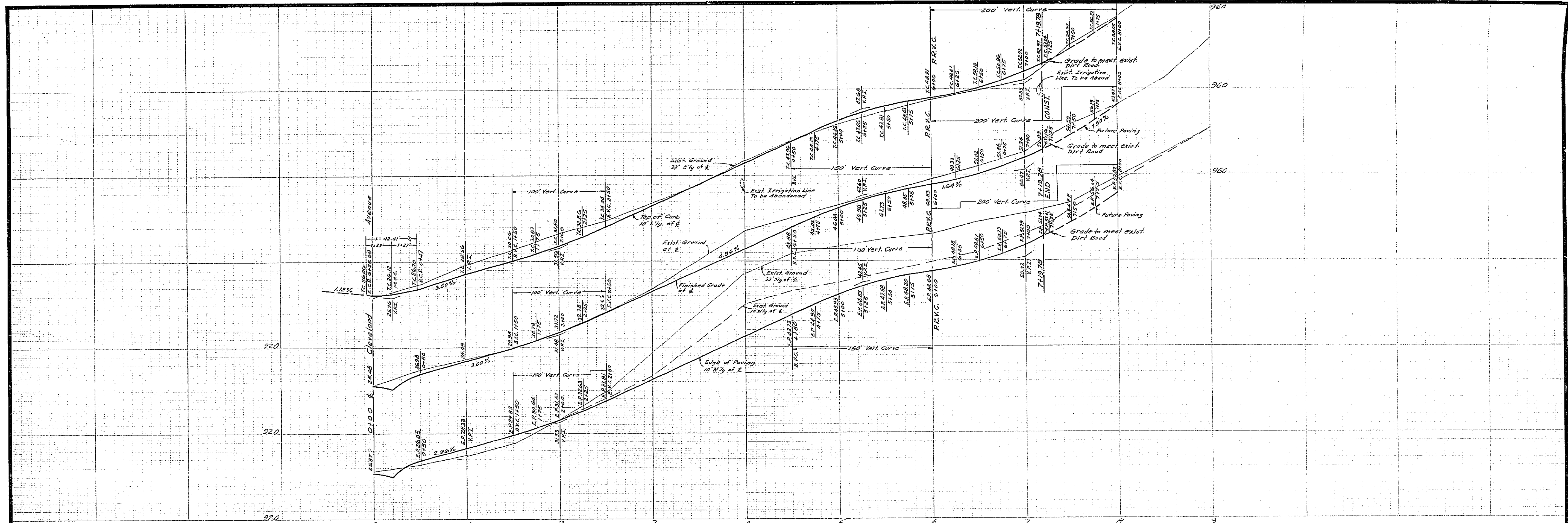
CITY OF RIVERSIDE, CALIFORNIA
 DEPARTMENT OF PUBLIC WORKS
 APPROVED BY: [Signature] DATE 2-12-65
 OFFICE ENGINEER
 PARK DEPARTMENT
 TRAFFIC DIVISION
 ASSISTANT CITY ENGINEER

STREET PLAN AND PROFILE
 GRACE STREET
 TRACT 3239
 PROJECT NO. R-1017
 SHEET 1 OF 4
 HORIZ. SCALE: 1" = 50'
 VERT. SCALE: 1" = 5'
 FILE NO. 2782

City B.M. - R.R. Spike in P.P. 15318 J at SW Cor. of Grace & Cleveland Streets. Elev. = 936.89



J. F. DAVIDSON ASSOCIATES CIVIL ENGINEERS - SURVEYORS - PLANNERS RIVERSIDE, CALIFORNIA		CITY OF RIVERSIDE, CALIFORNIA DEPARTMENT OF PUBLIC WORKS		STREET PLAN AND PROFILE CLEVELAND AVENUE TRACT 3239		PROJECT NO. R-1017
APPROVED BY <i>[Signature]</i> R.E. No. 13604	DATE 5-11-65	APPROVED BY <i>[Signature]</i> DIRECTOR OF PUBLIC WORKS	DATE 7-12-65	HORIZ. SCALE: 1" = 50' VERT. SCALE: 1" = 5'	SHEET 2 OF 4 FILE NO. 2732	
W.D. 103 FOR: 50' Gray	P.S. 516-17	DESIGNED BY: BJA	DRAWN BY: L.S.D.	CHECKED BY: BJA		



J. F. DAVIDSON ASSOCIATES
 CIVIL ENGINEERS - SURVEYORS - PLANNERS
 RIVERSIDE, CALIFORNIA
 APPROVED BY *Robert J. Davidson* DATE 2-11-65
 R.E. No. 13634

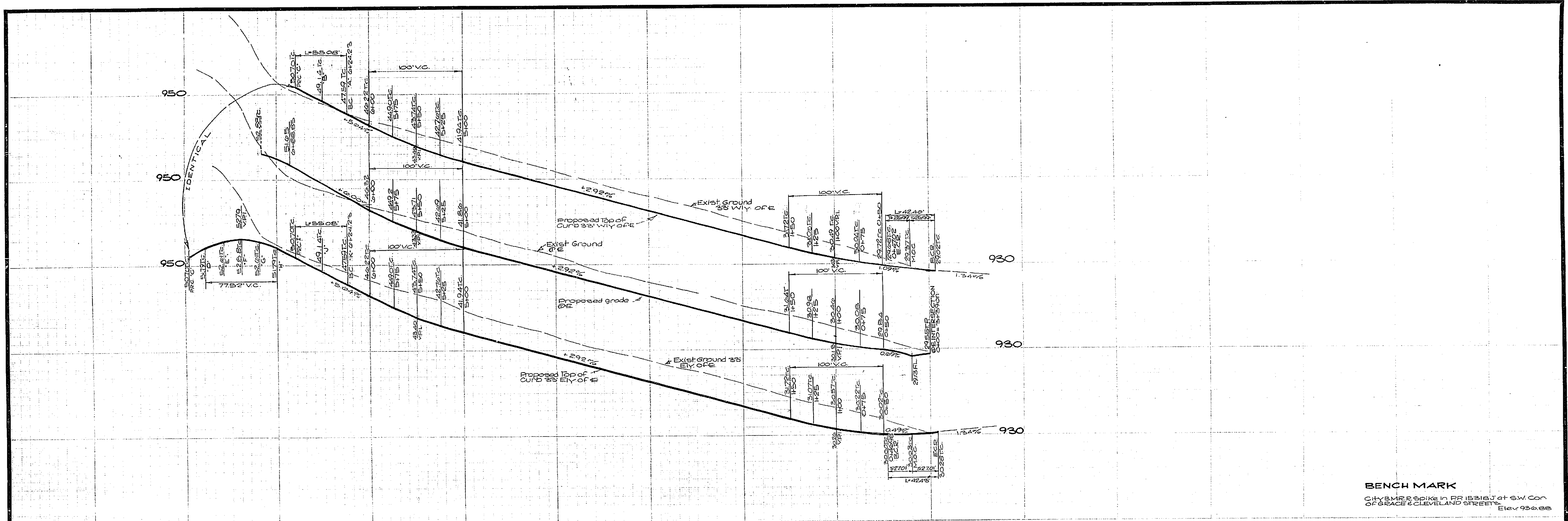
CITY OF RIVERSIDE, CALIFORNIA
 DEPARTMENT OF PUBLIC WORKS
 APPROVED BY *[Signature]* DATE 2-11-65
 OFFICE ENGINEER
 PARK DEPARTMENT
 TRAFFIC DIVISION
 ASSISTANT CITY ENGINEER

STREET PLAN AND PROFILE
STONEHAVEN STREET
TRACT 3239

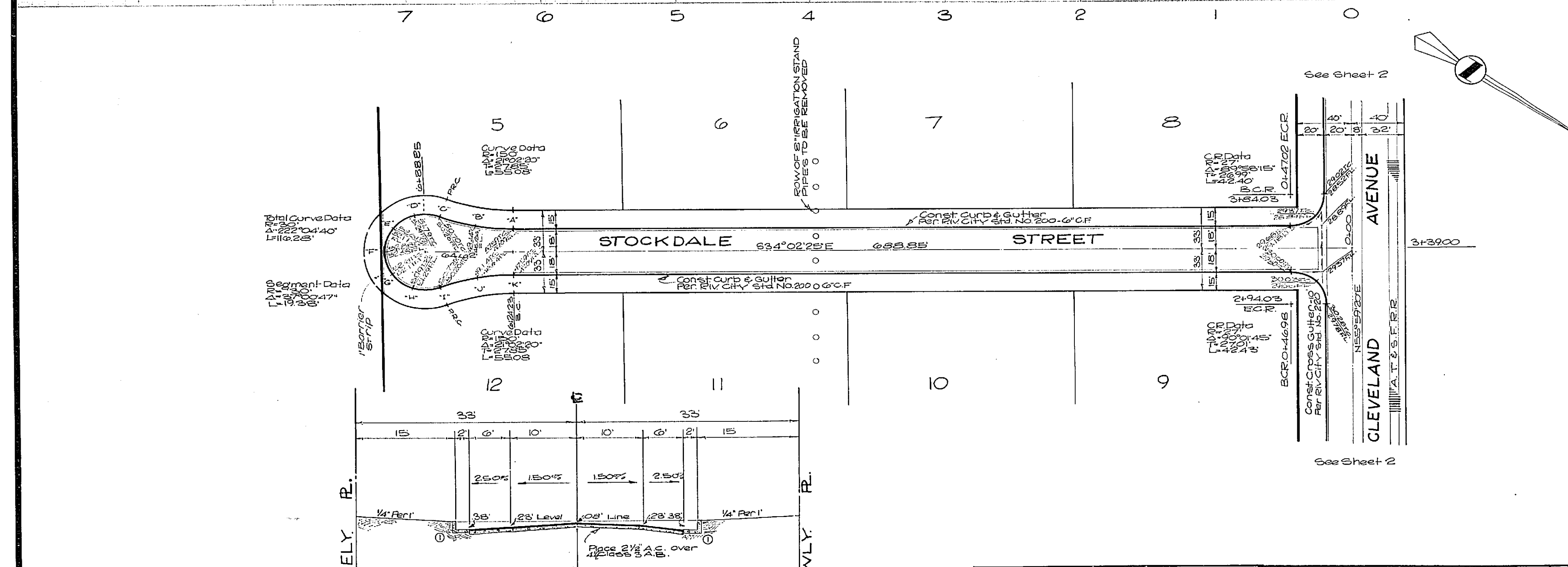
PROJECT NO. **R-1017**
 SHEET **3** OF **4**
 FILE NO. **2782**

City B.M. - RR Spike in P.P. 15316 J of SW Cor. of Grace & Cleveland Streets. Elev. 976.00

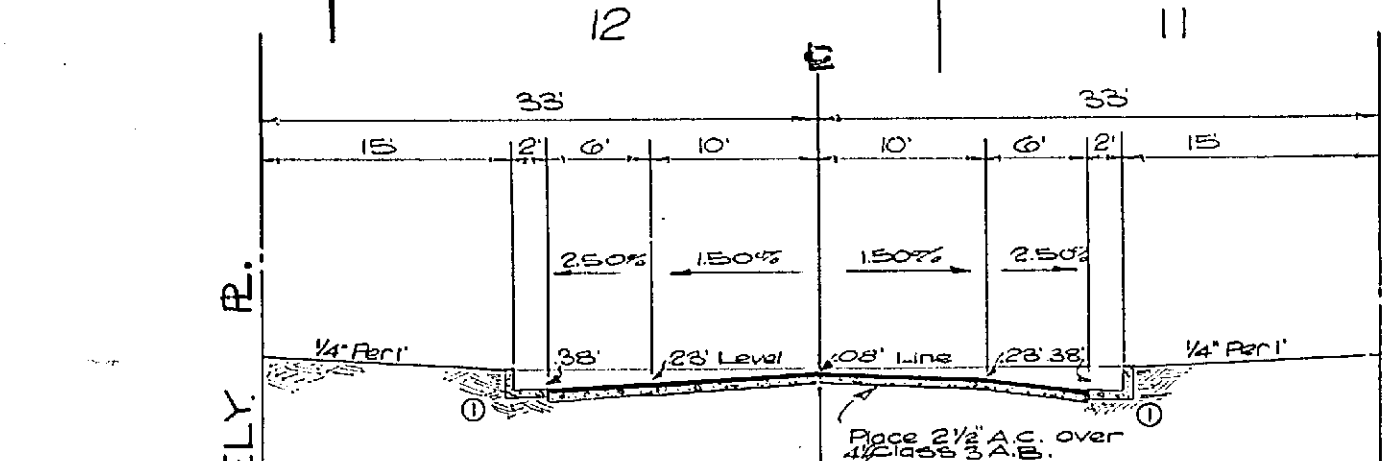
W.D. 103 FOR 574. Brody F.B. 9/6-17 DESIGNED BY R.J.M. DRAWN BY L.S.W. CHECKED BY R.J.M. 2/2/65



BENCH MARK
 City B.M. Spike in RR 153167 at SW Cor.
 of GRACE & CLEVELAND STREETS Elev. 936.88



Vertical Curve Data
 L=77.52
 PVI=947.77
 B.M. 936.88



TYPICAL SECTION

J. F. DAVIDSON ASSOCIATES
 CIVIL ENGINEERS - SURVEYORS - PLANNERS
 RIVERSIDE, CALIFORNIA
 APPROVED BY: *Robert J. Taylor* DATE: 6-8-68
 R.E. No. 136.22

CITY OF RIVERSIDE, CALIFORNIA
 DEPARTMENT OF PUBLIC WORKS
 APPROVED BY: *James J. ...* DATE: 7-5
 DIRECTOR OF PUBLIC WORKS
 ASSISTANT CITY ENG. DATE: 7-7

TRACT 3239
 STREET PLAN & PROFILE
STOCKDALE STREET

PROJECT NO. **R1017**
 SHEET **4** OF **4**
 FILE NO. 2782

W.D. 501 FOR PUDOM & HASKINS P.B. 96 DESIGNED BY *W.D.* DRAWN BY *W.D.* CHECKED BY *W.D.*