

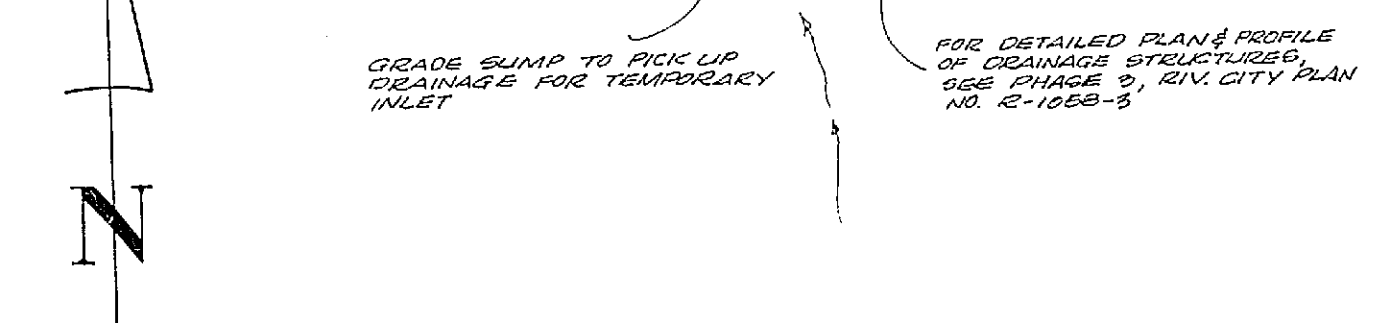
**Street Name Sign Schedule**

A	VIA MARIA BUENA
B	COUNTRY CLUB DRIVE
C	CANYON CREST DRIVE
D	VIA VALLARTA

Street name signs and posts to be furnished and installed by the Subdivider per City of Riverside Std. No. 662. Contact the Traffic Dept. for block numbers before ordering signs.

- GENERAL NOTES**
- It shall be the responsibility of the Contractor to clear the right of way in accordance with the provisions of law as it affects each utility including irrigation lines and appurtenances and of no cost to the City.
  - Construction shall be in accordance with the City of Riverside, Department of Public Works, Specifications No. 461 and Standard Drawings.
  - Prime coat, seal coat, and paint binder are required.
  - Grading will require a permit under Ordinance 3083 for a cut or fill exceeding 100 cubic yards, or a fill over one foot in depth.
  - The Developer shall arrange for a test of the soil at the subgrade level by a Soils Engineer. Thickness of pavement and thickness and type of aggregate base shall be determined by the Soils Engineer and submitted to the City of Riverside for approval prior to construction.
  - Trim edge of existing pavement, where new paving joins existing pavement to a clean straight line. Construct match-up paving as shown and overlay paving as directed in the field to produce a smooth crown section.
  - The finished subgrade shall have a compaction of not less than 90% for a depth of 0.5 feet as determined by test method No. Cal. 116 F immediately prior to placement of the cover.

Benchmark: Top of 4" I.P. filled with Conc. at South West Corner of Sec. 31 Elevation 1138.41



**REVISIONS**

MARK	DATE	DESCRIPTION
1	5-15-66	ADDED BASE REQUIREMENTS
2	5-15-66	ADD TO R.I.P. 3450
3	5-15-66	ADD TO R.I.P. 3450

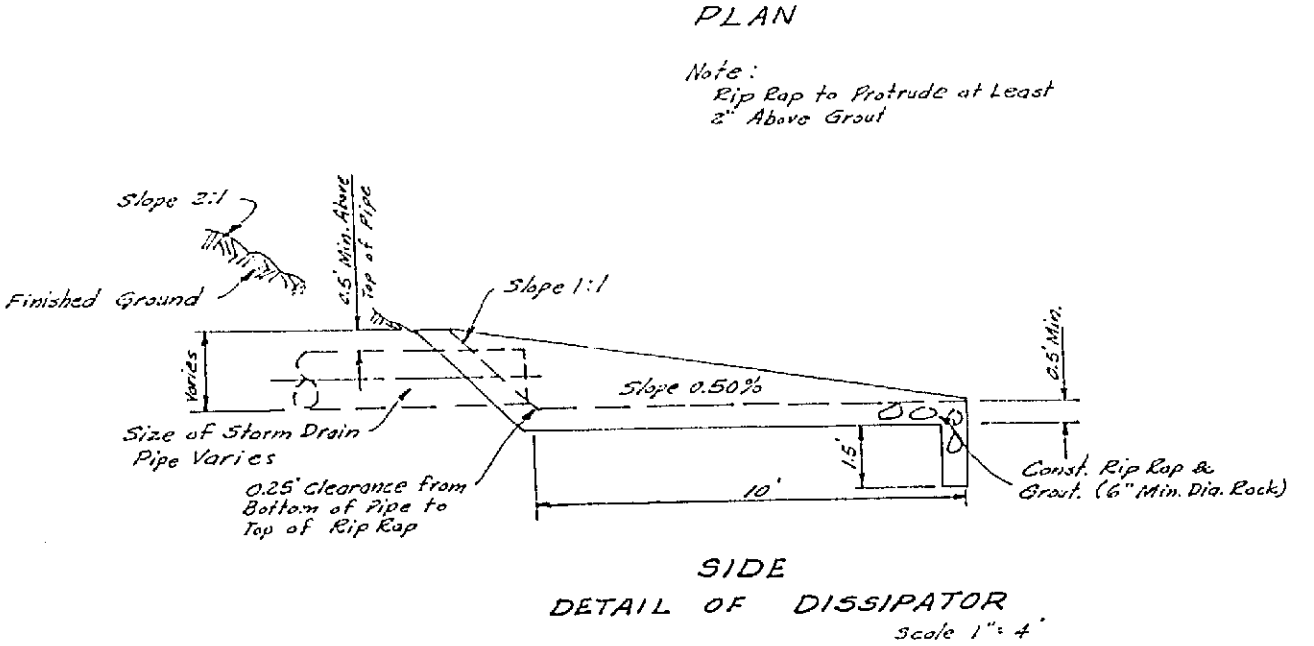
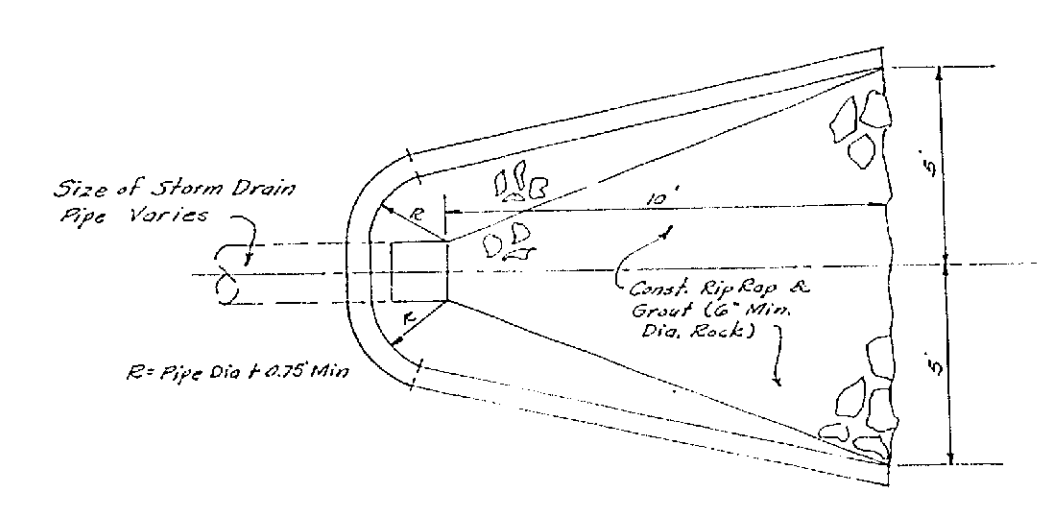
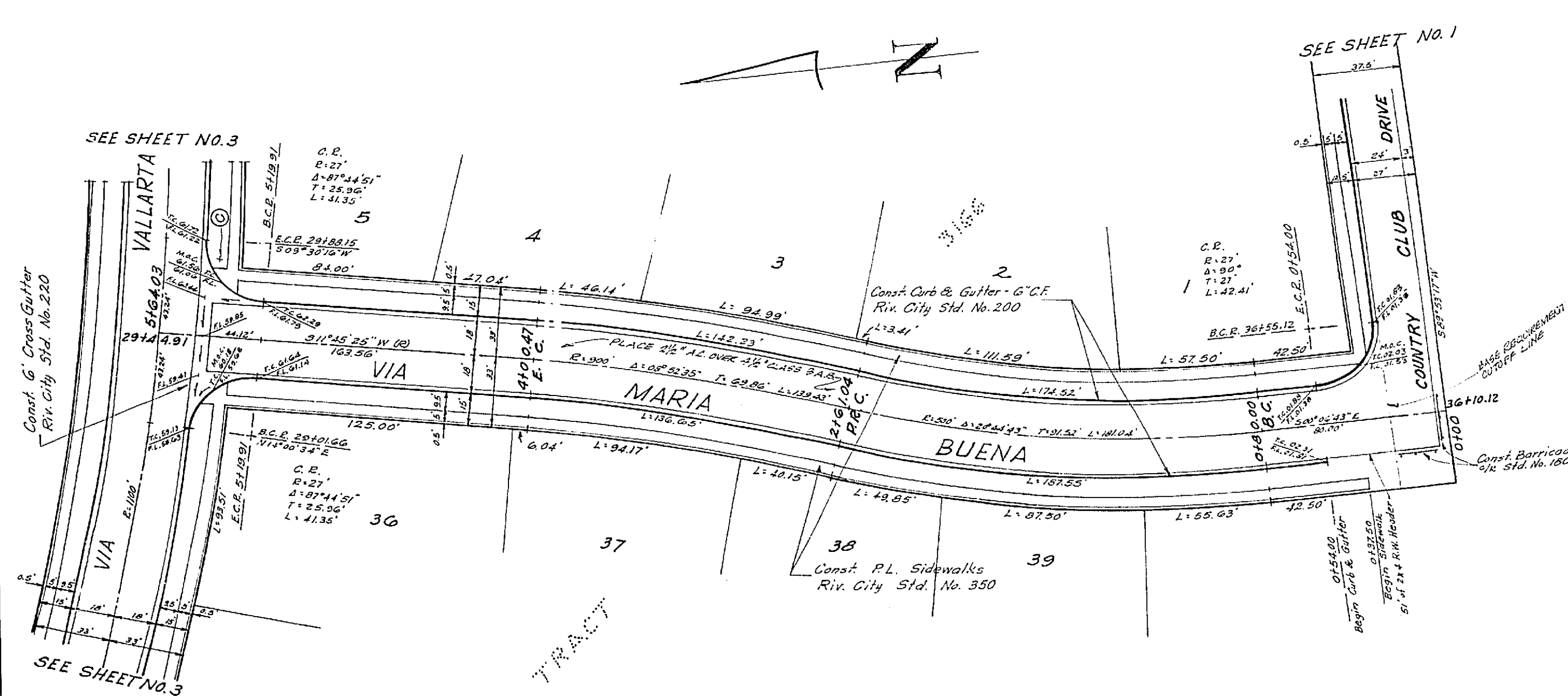
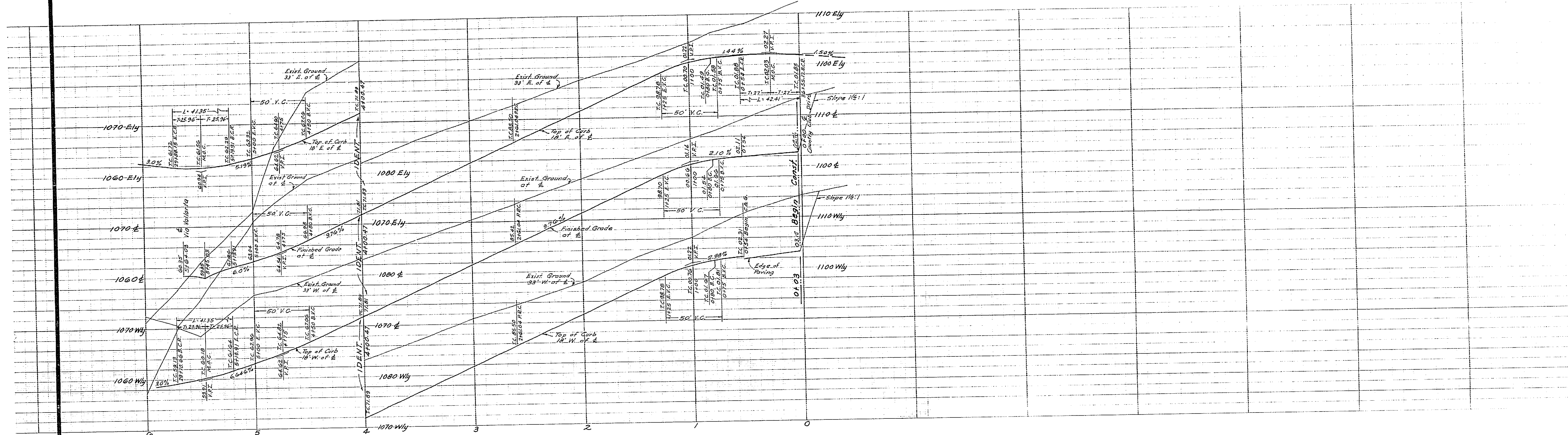
FR 853  
**J. F. DAVIDSON-CIVIL ENGINEER**  
 R.E. No. 862  
 RIVERSIDE, CALIFORNIA  
 APPROVED BY *[Signature]* DATE 2/1/66

**CITY OF RIVERSIDE, CALIFORNIA**  
 DEPARTMENT OF PUBLIC WORKS

**STREET PLAN & PROFILE**  
**TRACT 3166**  
**COUNTRY CLUB DRIVE**  
 HORIZ. SCALE 1" = 40' VERT. SCALE 1" = 4'

DESIGNED BY RJM CHECKED BY B.W.G.  
 DRAWN BY RJM  
 RECOMMENDED BY *[Signature]* ASSISTANT CITY ENGINEER

APPROVED BY *[Signature]* DIRECTOR OF PUBLIC WORKS  
 NO. **R-1026**  
 DATE 2-1-66 SHEET 1 OF 4

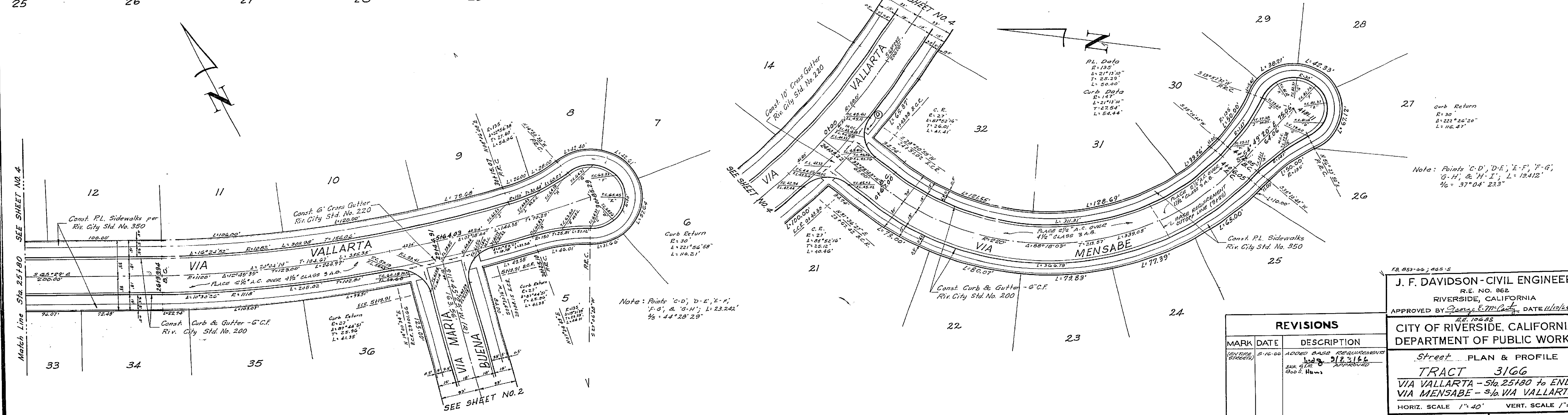
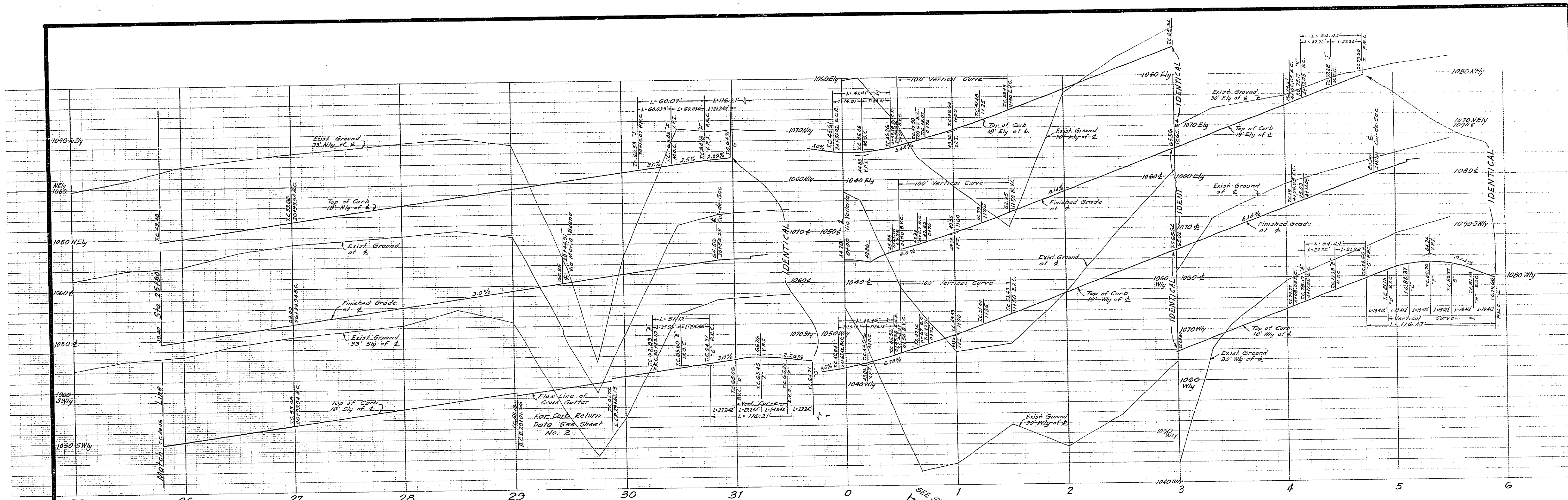


Bench Mark: Top of 4" I.P. Filled with Conc. at South West Corner of Sec. 31 Elevation 1138.41

REVISIONS		DESCRIPTION
MARK	DATE	
(None)	5-16-64	ADDED BASE DIMENSIONS AND DATE APPROVED Bob How, C.E.R.

APPROVED BY *George E. M. ...* DATE 11/10/64  
 R.E. NO. 862  
**CITY OF RIVERSIDE, CALIFORNIA**  
 DEPARTMENT OF PUBLIC WORKS  
 Street PLAN & PROFILE  
**TRACT 3166**  
**VIA MARIA BUENA**  
 HORIZ. SCALE 1"=40' VERT. SCALE 1"=8'  
 DESIGNED BY E.J.M. CHECKED BY Bob S. DATE 7-22-65  
 DRAWN BY E.J.M. DATE 7-22-65  
 RECOMMENDED BY ASSISTANT-CITY ENGINEER  
 APPROVED BY *George E. M. ...* DATE 7-22-65  
 Director of Public Works  
 NO. **R-1026**  
 SHEET 2 OF 4





Note: Points 'C-D', 'D-E', 'E-F', 'F-G', 'G-H', & 'H-I'; L: 12.412';  $\theta = 37^{\circ}04'23''$

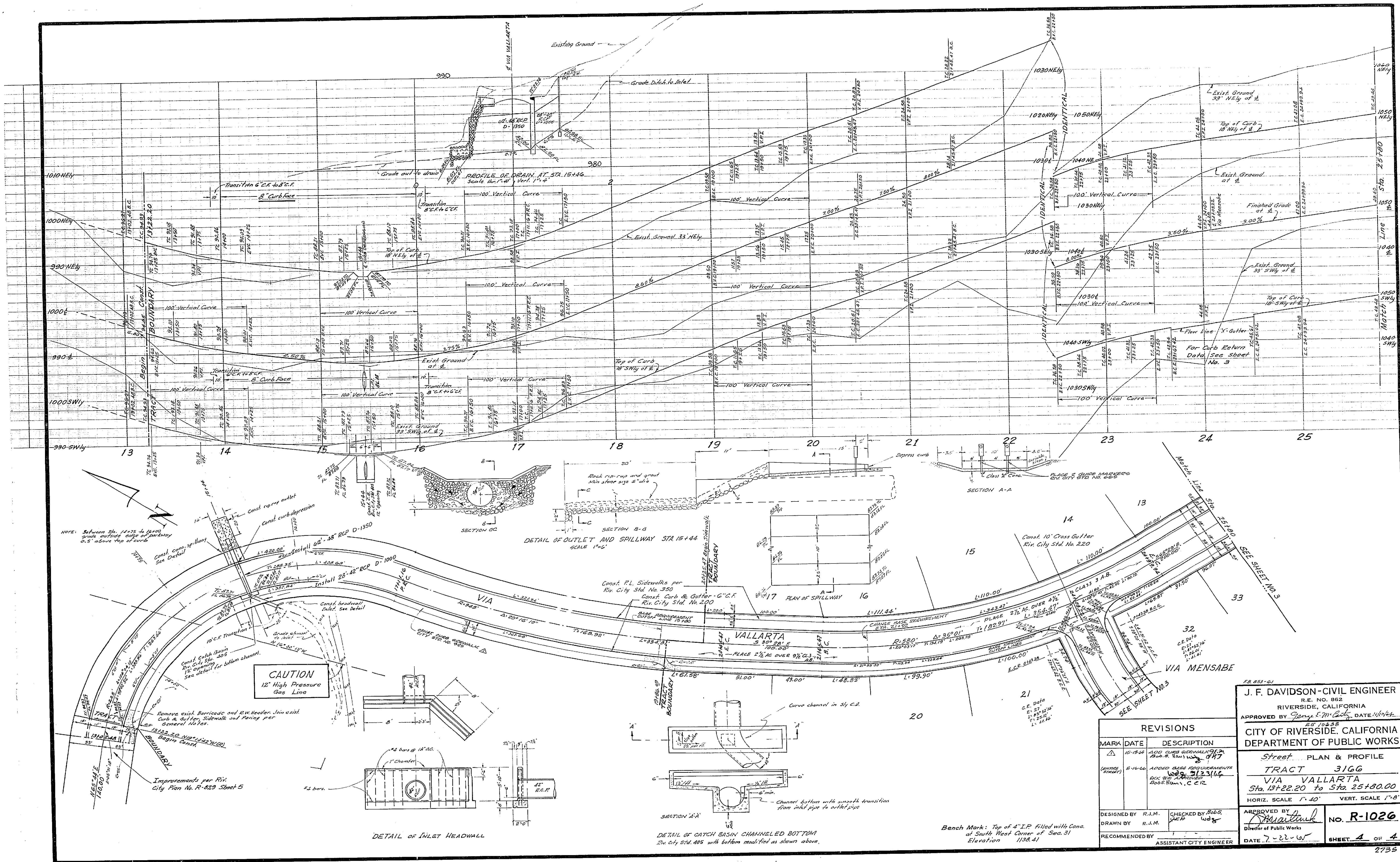
Note: Points 'C-D', 'D-E', 'E-F', 'F-G', 'G-H', & 'H-I'; L: 12.324';  $\theta = 44^{\circ}28'28''$

Bench Mark: Top of 4" I.P. filled with Conc. at South West Corner of Sec. 31 Elevation 1138.41

REVISIONS		
MARK	DATE	DESCRIPTION

J. F. DAVIDSON - CIVIL ENGINEER  
 R.E. NO. 982  
 RIVERSIDE, CALIFORNIA  
 APPROVED BY: *[Signature]* DATE: *7-22-66*  
 CITY OF RIVERSIDE, CALIFORNIA  
 DEPARTMENT OF PUBLIC WORKS  
 Street Plan & Profile  
**TRACT 3166**  
 VIA VALLARTA - Sta. 25+190 to END  
 VIA MENSABE - Sta. VIA VALLARTA  
 HORIZ. SCALE 1"=40' VERT. SCALE 1"=8'  
 DESIGNED BY: R.J.M. CHECKED BY: *[Signature]*  
 DRAWN BY: R.J.M. RECOMMENDED BY: *[Signature]*  
 ASSISTANT CITY ENGINEER  
 DATE: 7-22-66  
 NO. R-1026  
 SHEET 3 OF 4





NOTE: Between Sta. 14+75 to 15+00  
 grade outside curb of roadway  
 0.5' above top of curb

**CAUTION**  
 12" High Pressure  
 Gas Line

MARK	DATE	DESCRIPTION
Δ	10-18-64	ADD CURB SIDEWALK ON 2500 S. Main Way
○	6-16-66	ADDED BASE REQUIREMENTS FOR 36" 2123166 ROCK 90% BROKEN 2000 H.W., C 2 R

J. F. DAVIDSON - CIVIL ENGINEER  
 R.E. NO. 862  
 RIVERSIDE, CALIFORNIA  
 APPROVED BY *George E. M. City* DATE *March 25 1965*  
 CITY OF RIVERSIDE, CALIFORNIA  
 DEPARTMENT OF PUBLIC WORKS  
**Street PLAN & PROFILE**  
**TRACT 3166**  
**VIA VALLARTA**  
**Sta. 13+22.20 to Sta. 25+80.00**  
 HORIZ. SCALE 1"=40' VERT. SCALE 1"=8'  
 DESIGNED BY R.J.M. CHECKED BY Bob W  
 DRAWN BY R.J.M. RECOMMENDED BY *Davidson*  
 DIRECTOR OF PUBLIC WORKS  
 DATE 7-22-66 SHEET 4 OF 4

Bench Mark: Top of 4" I.P. Filled with Cona.  
 at South West Corner of Sec. 31  
 Elevation 1138.41