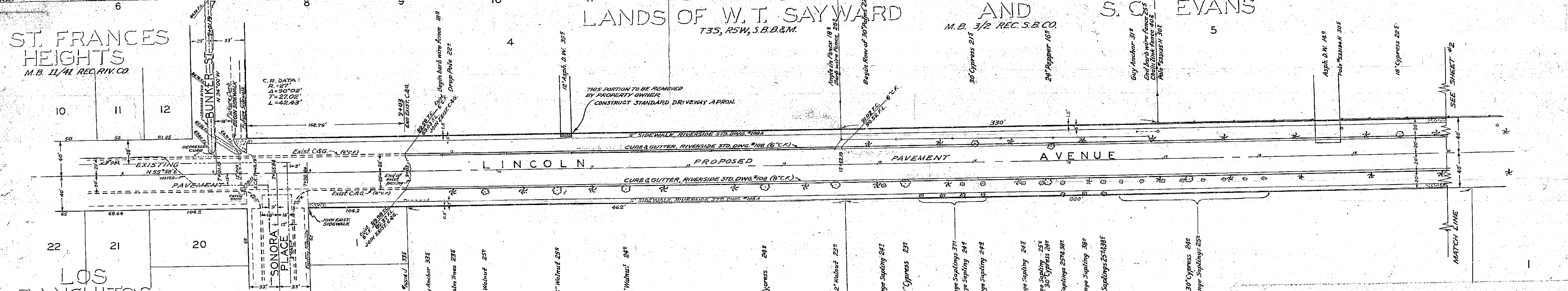
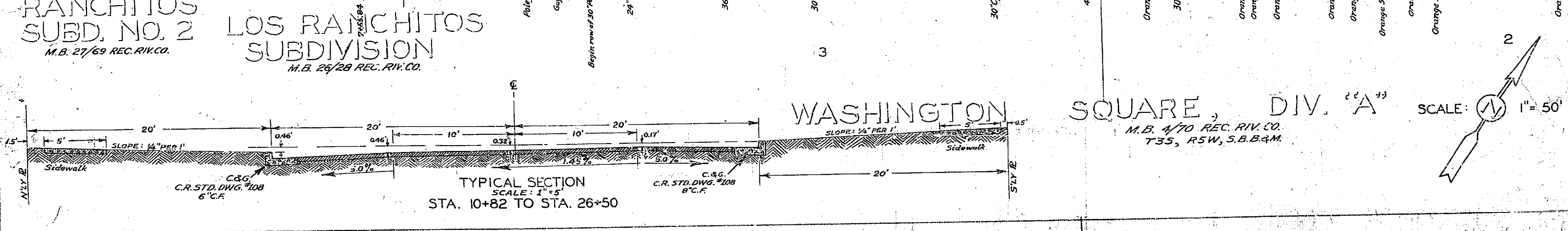


PROFILE  
 SHEET NO. 11  
 DATE 11/23/45



PLAN  
 SHEET NO. 11  
 DATE 11/23/45



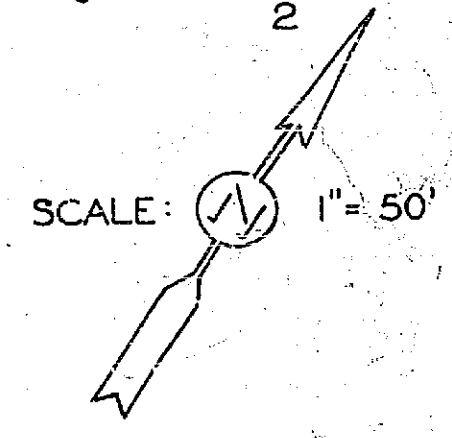
REVISIONS		CITY OF RIVERSIDE CALIFORNIA DEPARTMENT OF PUBLIC WORKS
MARK	DATE	
		CURB & STREET GRADES LINCOLN AVENUE BUNKER ST. TO WASHINGTON ST.

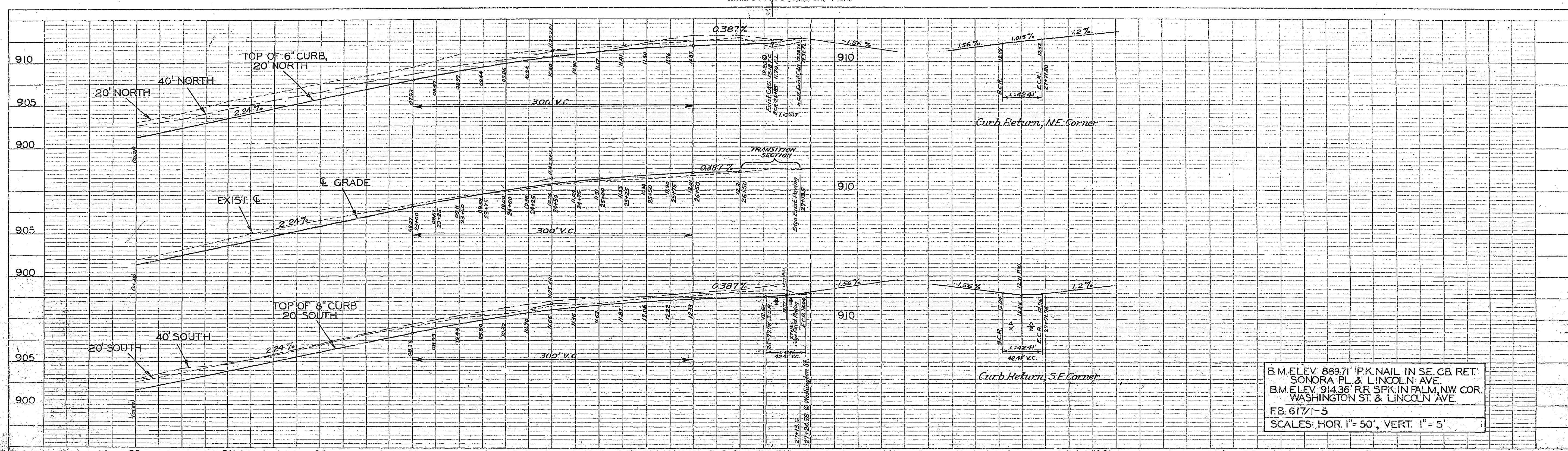
DESIGNED BY W.D.G.  
 DRAWN BY M.Bull  
 RECOMMENDED BY *[Signature]*  
 ASSISTANT CITY ENGINEER

CHECKED BY H.H.  
 APPROVED BY *[Signature]*  
 DIRECTOR OF PUBLIC WORKS

DATE 11/23/45

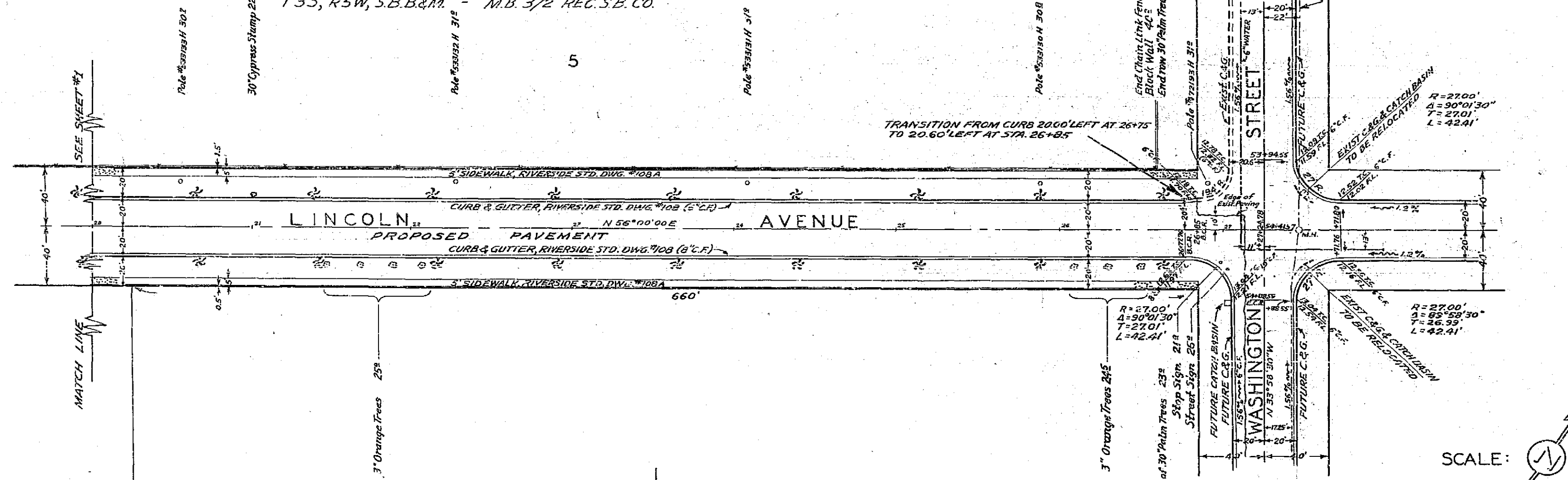
**R-116**  
 SHEET 1 OF 2





B.M. ELEV. 889.71' P.K. NAIL IN SE. CB. RET.  
 SONORA PL. & LINCOLN AVE.  
 B.M. ELEV. 914.36' P.R. SPK. IN PALM, NW COR.  
 WASHINGTON ST. & LINCOLN AVE.  
 FB. 617/1-5  
 SCALES: HOR. 1" = 50', VERT. 1" = 5'

LANDS OF W. T. SAYWARD & S. C. EVANS  
 T. 35, R. 5W, S. B. & M. - M.B. 3/2 REC. S.B. CO.



WASHINGTON SQUARE, DIV. 'A'  
 T. 35, R. 5W, S. B. & M. - M.B. 4/70 REC. RIV. CO.

SCALE: 1" = 50'

REVISIONS			CITY OF RIVERSIDE, CALIFORNIA DEPARTMENT OF PUBLIC WORKS
MARK	DATE	DESCRIPTION	
			CURB & STREET GRADES LINCOLN AVENUE BUNKER ST. TO WASHINGTON ST.
DESIGNED BY	W.D.C.	CHECKED BY	H.H.
DRAWN BY	H. Ball	APPROVED BY	<i>[Signature]</i> DIRECTOR OF PUBLIC WORKS
RECOMMENDED BY	<i>[Signature]</i> ASSISTANT CITY ENGINEER	DATE	May 23, 1957

**R-116**  
SHEET 2 OF 2