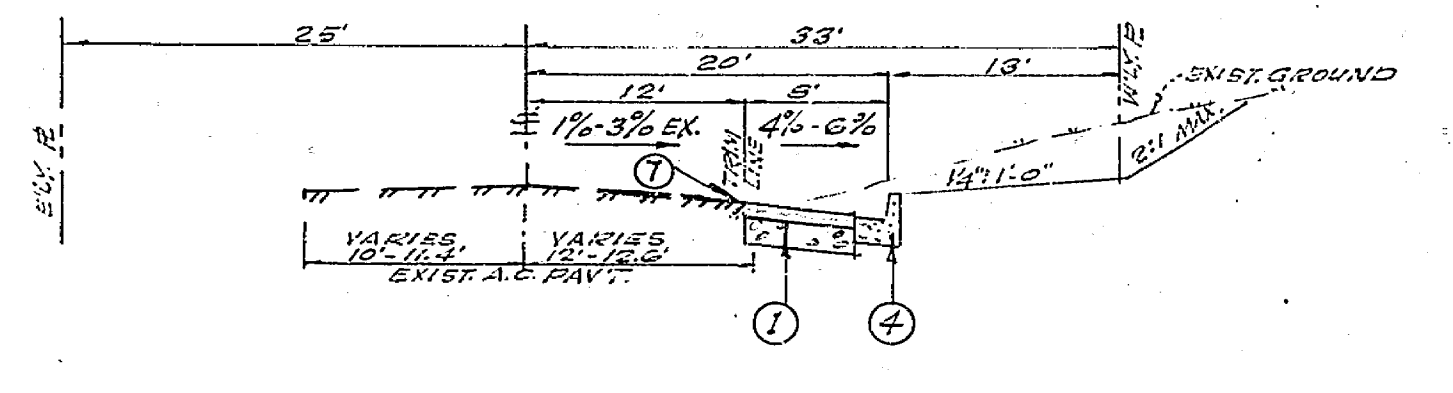
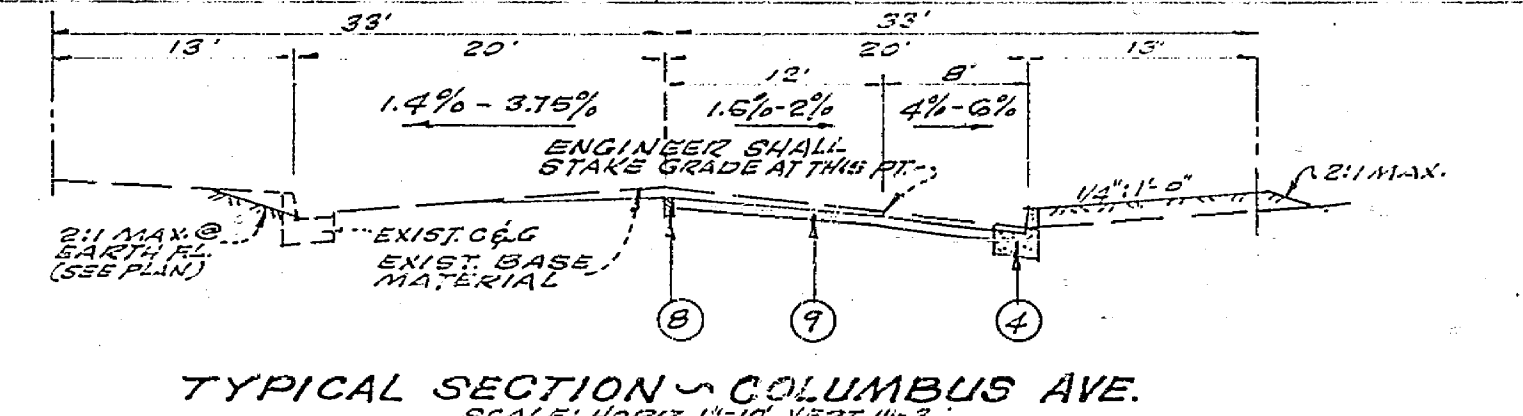


- CONSTRUCTION NOTES**
1. CONST. 2 1/2" A.C. OVER 1 1/2" D.G. BASE (R-116)
 2. PLACE VARIASIS THICKNESS A.C. OVERLAY PAVEMENT (SEE GEN. NOTE #2)
 3. CONST. CURB & GUTTER (G-1) PER STD. PLAN NE 302
 4. CONST. DRIVEWAY APPROACH PER STD. PLAN NE 302
 5. ADJUST EXIST. WATER VALVE TO FIN. GRADE (BY P.U.D.)
 6. TACK FATHER OVER AS NECESSARY FOR SMOOTH JOIN.
 7. INSTALL 2x4 REDWOOD HEADS
 8. CONST. "A.C. OVER" COMPACTED EXIST. BASE MATERIAL
 9. CONST. DRIVEWAY APPROACH (EXIST. CURB & GUTTER) PER STD. PLAN NE 302
 10. REMOVE 4" L. OF EXIST. CURB & GUTTER (SEE S.P.C. NE 302)



- GENERAL NOTES**
1. CONSTRUCTION SHALL BE IN ACCORDANCE WITH STD. SPECIFICATIONS FOR PUBLIC WORKS CONSTRUCTION, 1970 EDITION AND STD. ORDINANCES.
 2. IT SHALL BE THE RESPONSIBILITY OF THE CONTRACTOR TO CLEAR THE RIGHT OF WAY IN ACCORDANCE WITH THE PROVISIONS OF THE LAW AS IT AFFECTS EACH UTILITY INCLUDING DEVIATION LINES AND APPROXIMATIONS AND AT HIS COST TO THE CITY.
 3. TRIM EDGE OF EXISTING PAVEMENT WHERE NEW PAVEMENT JOINS EXISTING PAVEMENT TO A CLEAN STRAIGHT EDGE. CONTRACTOR MATCH UP PAVING AS SHOWN AND OVERLAY AS DIRECTED IN THE FIELD TO PRODUCE A SMOOTH CROWN SECTION. ENGINEER ESTIMATES THIS OVERLAY PAVEMENT TO BE LESS THAN 1" THICK.
 4. THE DEVELOPER SHALL PROVIDE FOR A SOIL TEST AT SUB GRADE LEVEL BY A SOILS ENGINEER. THICKNESS OF PAVEMENT & TYPE OF AGGREGATE BASE SHALL BE DETERMINED BY THE SOILS ENGINEER AND SUBMITTED TO THE CITY OF RIVERSIDE FOR APPROVAL PRIOR TO CONSTRUCTION.

BENCHMARK R.R. SPIKE IN P.P. NO 10648-1 ON N.W. SIDE OF COLUMBUS, 100' W. OF FREMONT (C-72) ELEV. 791.83

HAWKINS, ROBERTSON & ASSOC. ENGINEERS & SURVEYORS RIVERSIDE CALIFORNIA APPROVED BY: <i>Charles E. Robertson</i> 2-3-71 R.S. 15016 DATE		CITY OF RIVERSIDE, CALIFORNIA DEPARTMENT OF PUBLIC WORKS APPROVED BY: <i>W. J. ...</i> DIRECTOR OF PUBLIC WORKS		STREET PLAN & PROFILE COLUMBUS AVENUE N.W. SIDE, FROM RIVERVIEW ST. TO 118.55' WEST OF JASMINE ST. JASMINE STREET N.W. SIDE, FROM 91.07' SOUTH OF, TO 140.95' NORTH OF COLUMBUS AVE. 1155 PERMIT EAST COLUMBUS AVE.	PROJECT NO. R-1476 SHEET 1 OF 1 FILE NO. 4197
JO. 2074 MIKE GIURBINO DESIGNED BY	R.S. 10798 DRAWN BY	11-23-71 DATE	4-2-71 DATE	HORIZ. SCALE: 1" = 20' VERT. SCALE: 1" = 4'	