

# RIVERSIDE CITY OF RIVERSIDE CALIFORNIA



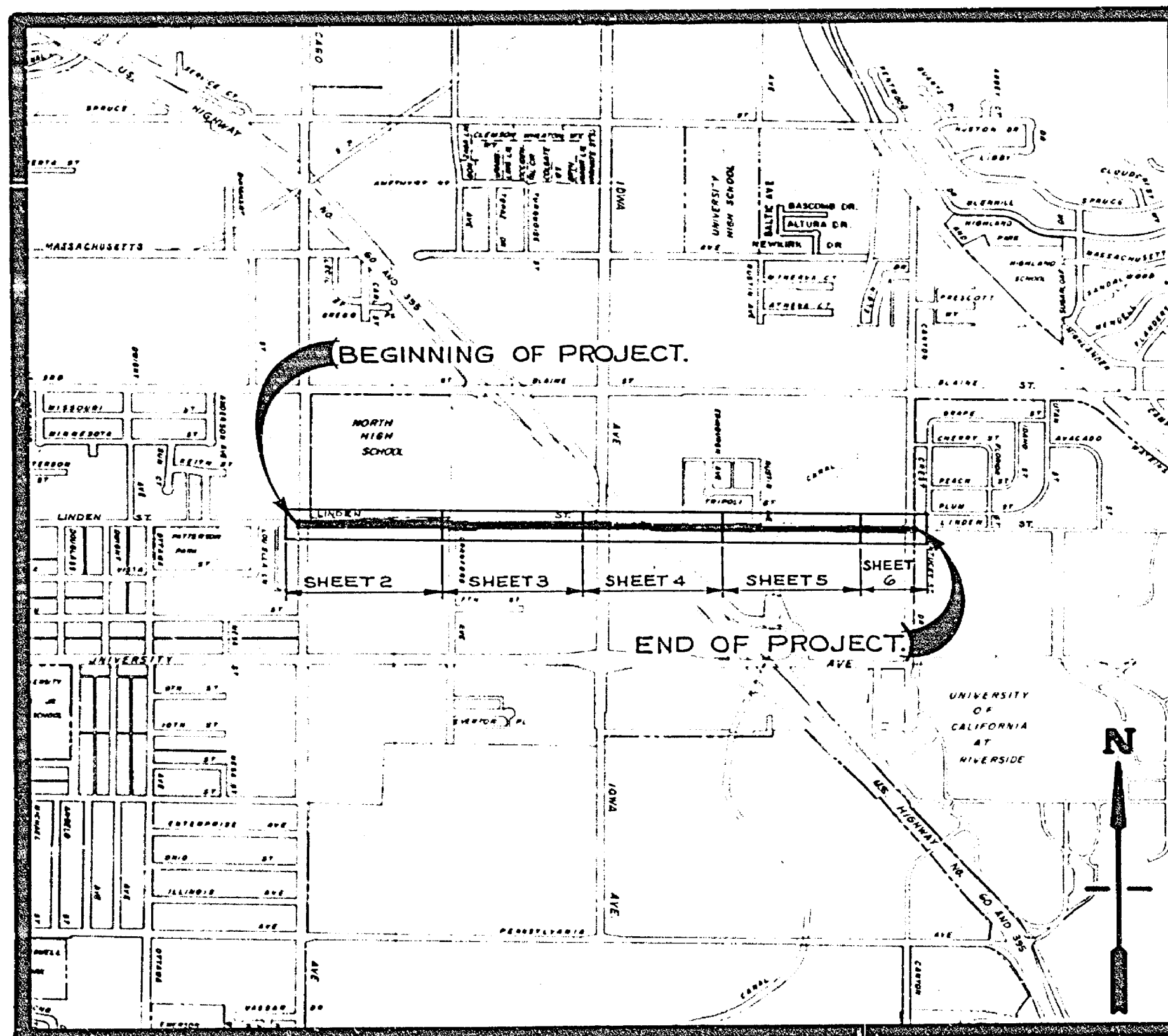
## PUBLIC WORKS DEPARTMENT

### Linden Street Bikeway

From Chicago to Canyon Crest

Project Length: 5265.63 Ft.

T. I. : 6.5



PROJECT LOCATION PLAN

SCALE 1" = 1000'

#### CONSTRUCTION LEGEND



CONSTRUCT PER CITY OF RIVERSIDE STANDARD DRAWINGS:

- 1 CONSTRUCT STRUCTURAL SECTION OF 0.57' A.C. OVER NATIVE SOIL OR 0.25' A.C. OVER 0.70' D.G. BASE MATERIAL.
- 2 CONSTRUCT STRUCTURAL SECTION OF 0.17' A.C. OVER 6" OF NATIVE SOIL COMPACTED TO 90%.
- 3 EXISTING A.C. PAVEMENT TO BE REMOVED PRIOR TO CONSTRUCTION OF STRUCTURAL SECTION.
- 4 REMOVE ENTIRE TREE. CLASS IS SHOWN ON PLAN. CLASS I - 6" TO 18" DIA.

#### EXISTING UNDERGROUND & TOPOGRAPHY LEGEND

##### EXISTING UNDERGROUND UTILITIES:

SANITARY SEWER	8" S	TELEPHONE CONDUIT	T
WATER LINE	6" W	ELECTRICAL CONDUIT	E
STORM DRAIN	24" S.D.	STREET LIGHTING	SL
GAS LINE	3" G	TRAFFIC SIGNAL	SIG
IRRIGATION LINE	20" I.R.	FIRE ALARM	F

##### EXISTING TOPOGRAPHY:



(S) SANITARY SEWER MH	(P) POLE & GUY ANCHOR	(F) PEDESTRIAN PUSH BUTTON
(SC) SANITARY SEWER CLEANOUT	(EP) ELECTRIC POLE	(RT) RAILROAD TRACKS
(SD) STORM DRAIN MH	(TP) TELEPHONE POLE	(RS) RAILROAD SIGN
(IW) IRRIGATION WELM	(JUP) JOINT USE POLE	(RSI) RAILROAD SIGNAL
(W) WATER MH	(PB) PULL BOX	(SLS) STREET LIGHT & TRAFFIC SIGNAL ON MAST ARM
(G) GAS MH	(T) TRAFFIC SIGN	(SLU) STREET LIGHT (UPRIGHT)
(EM) ELECTRIC MH	(FM) FIRE ALARM BOX	(SL) STREET LIGHT
(TM) TELEPHONE MH OR VAULT	(SFS) STREET NAME SIGN	(TS) TRAFFIC SIGNAL
(WM) WATER METER	(GM) GAS METER	(TSM) TRAFFIC SIGNAL ON MAST ARM
(FH) FIRE HYDRANT	(MB) MAIL BOX	(TSC) TRAFFIC SIGNAL CONTROLLER
(SH) SPRINKLER HEAD	(FA) FAUCET	(TSP) TRAFFIC SIGNAL PRESSURE DETECTOR
(V) VALVE		(TSL) TRAFFIC SIGNAL LOOP DETECTOR

(C) CONCRETE	(CT) CITRUS TREE
(AS) ASPHALT	(DT) DECIDUOUS TREE
(EP) EDGE OF PAVEMENT	(PT) PALM TREE
(B) BUILDING	(SB) SIBBERY
(US) UNDERGROUND STRUCTURE	(TS) TREE STUMP
(OS) OVERHANGING STRUCTURE	

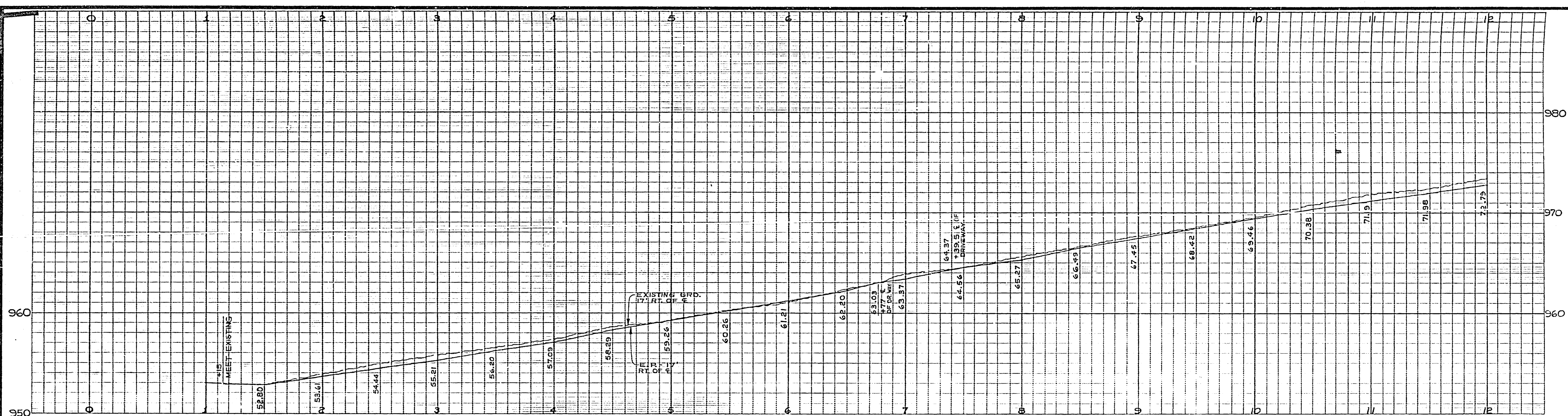
#### GENERAL CONSTRUCTION NOTES

- 1 EXACT LOCATIONS AND DEPTHS OF UNDERGROUND UTILITIES ARE UNKNOWN. THE LOCATIONS AND DEPTHS SHOWN ON THIS PLAN ARE FROM UTILITY RECORDS. THE CONTRACTOR IS REQUIRED TO TAKE DUE PRECAUTION TO LOCATE AND PROTECT ALL UNDERGROUND FACILITIES WHETHER OR NOT SHOWN ON PLAN. IF COVER IS UNKNOWN THE UTILITY IS SHOWN IN THE PROFILE BY: (UTILITY NAME)
- 2 WHERE NEW CONSTRUCTION IS INDICATED:
  - (A) CLEAR AND GRUB
- 3 TRAFFIC SIGNS REMOVED DURING CONSTRUCTION SHALL BE SALVAGED BY THE CONTRACTOR AND RELOCATED AS DIRECTED BY THE INSPECTOR.
- 4 TRANSITION NEW CONSTRUCTION TO MEET EXISTING FACILITIES AS DIRECTED BY THE INSPECTOR, EXCEPT AS SHOWN ON PLAN.
- 5 UNDERGROUND UTILITIES ARE SHOWN IN AREAS OF PROPOSED IMPROVEMENTS ONLY. FOR ADDITIONAL INFORMATION CONTACT INDIVIDUAL UTILITY DEPARTMENTS.

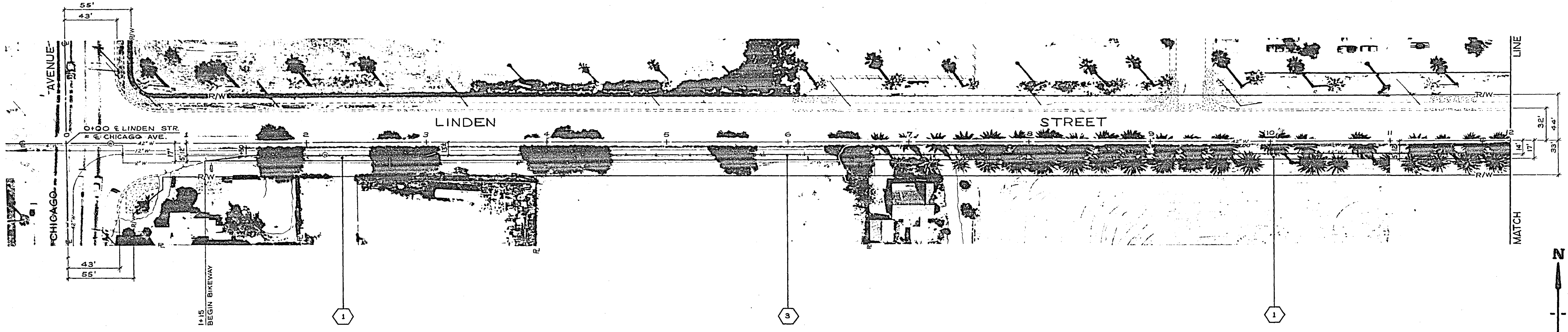
CITY OF RIVERSIDE PUBLIC WORKS DEPARTMENT	
APPROVED BY: PRINCIPAL ENGINEER DATE: 4/23/74	APPROVED BY: PUBLIC WORKS DIRECTOR DATE: 4/23/74

INDEXED	* AS BUILT 8-20-74 RJA
Linden Street Bikeway	
From Chicago to Canyon Crest	
DRAWING NUMBER <b>R-175</b>	ACCOUNT NO 38-571-878-88
SHEET 1 of 1	DRAWING NUMBER

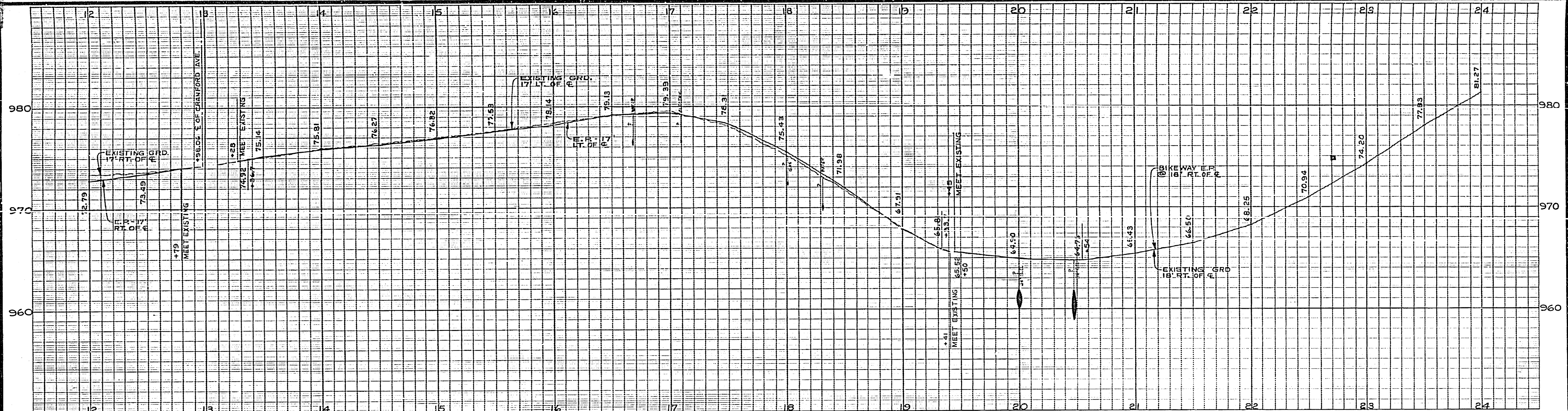
22"  
17"  
11"  
8.5"  
17"  
11"  
8.5"  
22"



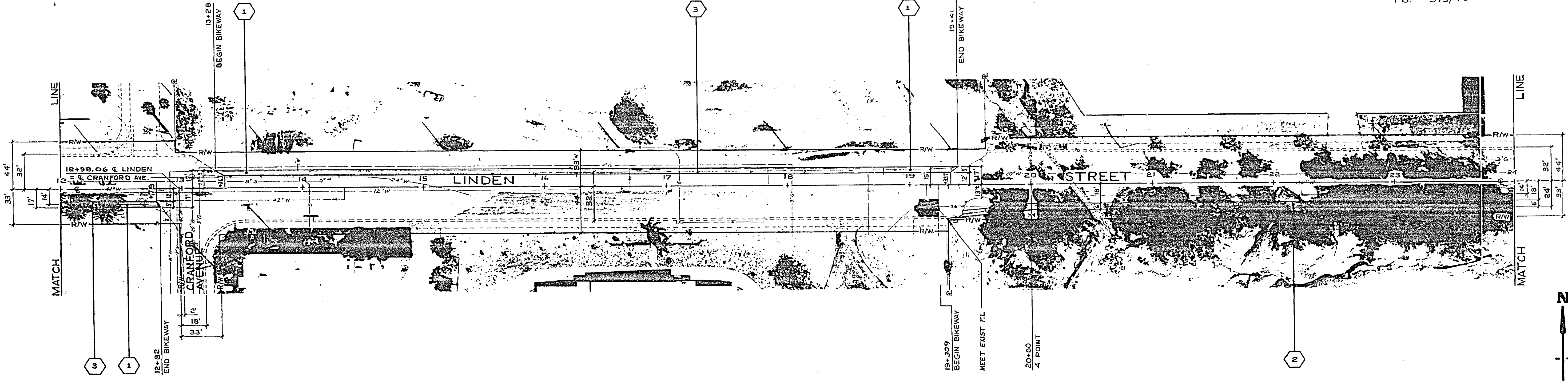
T.B.M. BRASS DISK AT E. P.I. OF CHICAGO  
 & LINDEN.  
 ELEV. 950.36'  
 F.B. 975/45



<b>CITY OF RIVERSIDE</b> PUBLIC WORKS DEPARTMENT		<b>Linden Street</b> <b>Bikeway</b> From Chicago to Canyon Crest		ACCOUNT NO 38-531-878-88/881 DRAWING NUMBER <b>R-1754</b> SHEET 2 OF 6
APPROVED BY PRINCIPAL ENGINEER P.W. DEPARTMENT TRAFFIC DIVISION CHIEF P.W. ENGINEER	DATE 6-23 6-23 6-23	APPROVED BY PUBLIC WORKS DIRECTOR	DATE 6-17-17	HORIZ. SCALE = 1" = 40' VERT. SCALE = 1" = 4'
DESIGNED BY DRAWN BY CHECKED BY	REVISIONS APPR. DATE	*AS BUILT 8-20-74 A-171		



T.B.M. N.E. CURB RETURN @ LINDEN & IOWA, END POINT & SO WASHER STAMPED B.M. 72-E-61 AT CENTER OF CURB RETURN.  
 ELEV. 993.56  
 F.B. 575/45



\*AS BUILT 8-20-74 X/M

<b>CITY OF RIVERSIDE</b>				<b>Linden Street</b>	
<b>PUBLIC WORKS DEPARTMENT</b>				<b>Bikeway</b>	
APPROVED BY:		BY:		DATE:	
PRINCIPAL ENGINEER		[Signature]		5/21	
PARK DEPARTMENT		TRAFFIC DIVISION		6-74	
CHIEF P.W. ENGINEER		DATE		6-28	
APPROVED BY:		BY:		DATE:	
PUBLIC WORKS DIRECTOR		[Signature]		6-21	
DESIGNED BY: [Signature]		DRAWN BY: [Signature]		CHECKED BY: [Signature]	
MARK		REVISIONS		APPR. DATE	
DESIGNED BY: [Signature]		DRAWN BY: [Signature]		CHECKED BY: [Signature]	

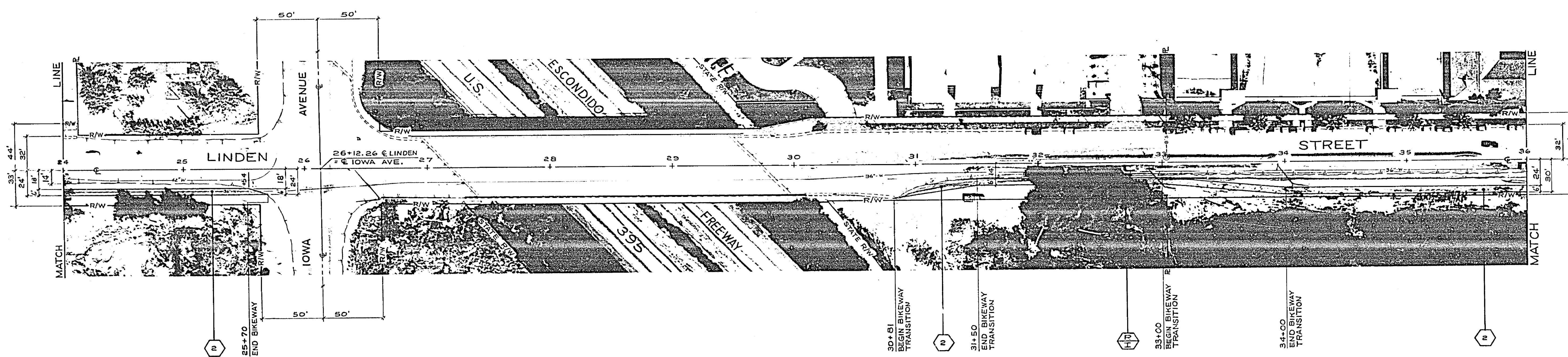
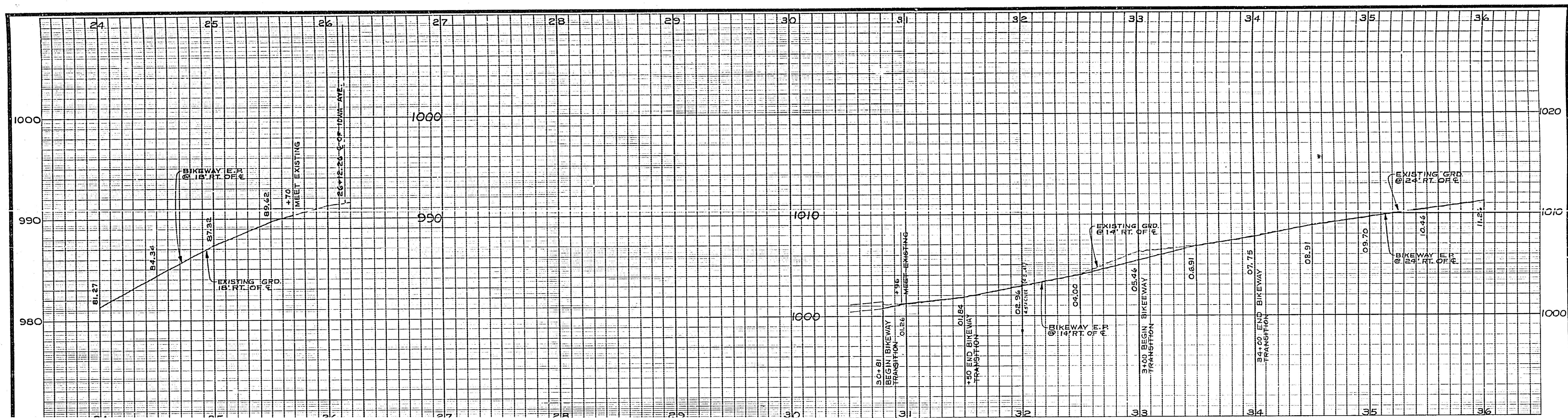
**Linden Street**  
**Bikeway**  
 From Chicago to Canyon Crest

HORIZ. SCALE = 1" = 40'  
 VERT. SCALE = 1" = 4'

ACCOUNT NO. 38-578-578-89/891

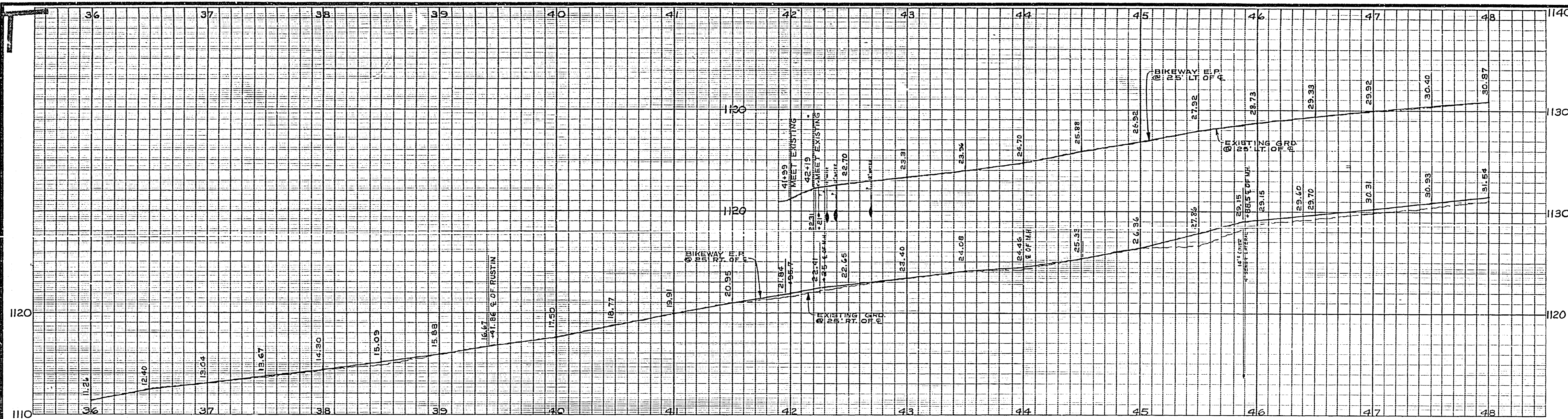
DRAWING NUMBER  
**R-1754**

SHEET **3** OF **6**

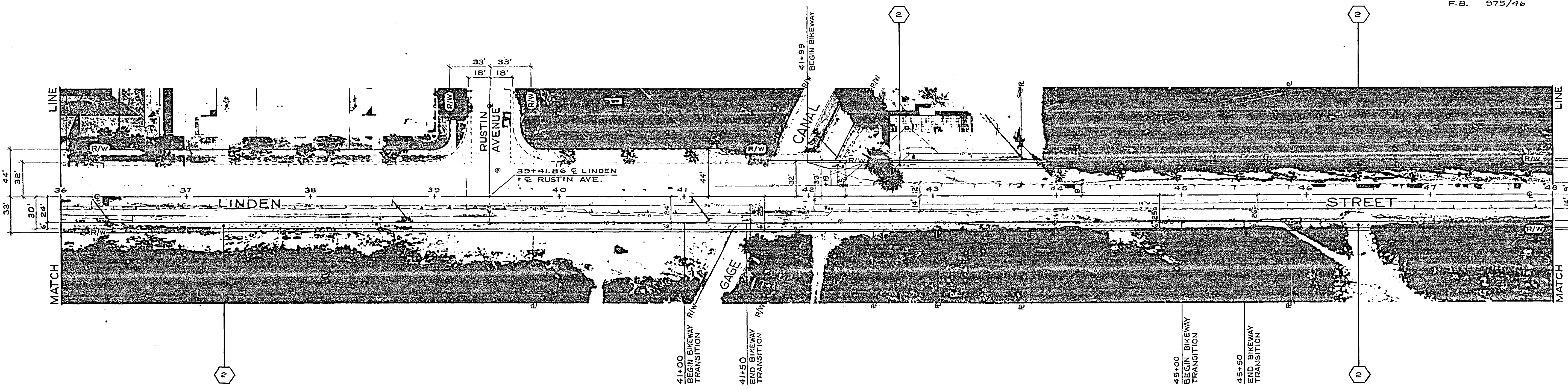


\*AS BUILT 8.20.74 R/M

<b>CITY OF RIVERSIDE</b> <b>PUBLIC WORKS DEPARTMENT</b>		<b>Linden Street</b> <b>Bikeway</b> From Chicago to Canyon Crest		ACCOUNT NO 38-575-878-88/881 DRAWING NUMBER <b>R-1754</b> SHEET 4 of 6
DESIGNED BY: <i>WHL</i> DRAWN BY: <i>JEG</i> CHECKED BY: <i>DLI</i>	APPROVED BY: MUNICIPAL ENGINEER <i>[Signature]</i> TRAFFIC DIVISION CHIEF P.W. ENGINEER <i>[Signature]</i>	APPROVED BY: PUBLIC WORKS DIRECTOR <i>[Signature]</i> DATE: <i>6/2/71</i>	HORIZ. SCALE = 1" = 40' VERT. SCALE = 1" = 4'	



T.B.M. S.E. CORNER OF CANYON CREST  
 @ LINDEN FND. CH. X TOP OF  
 FIRE HYDRANT  
 ELEV. 1041.99  
 F.B. 975/46

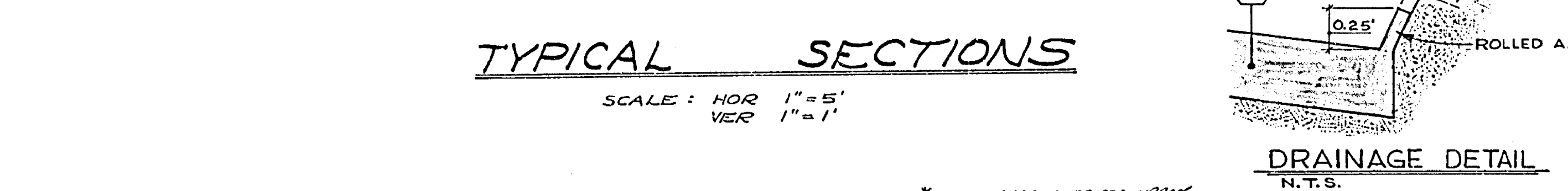
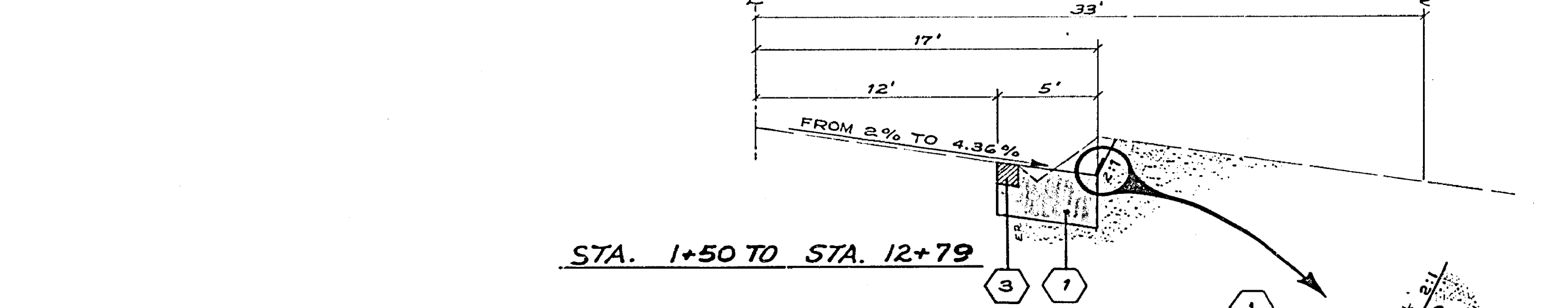
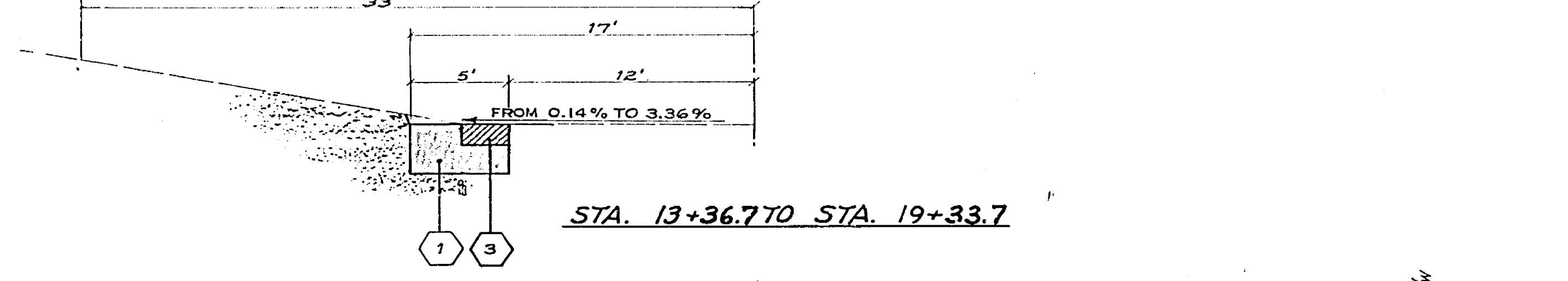
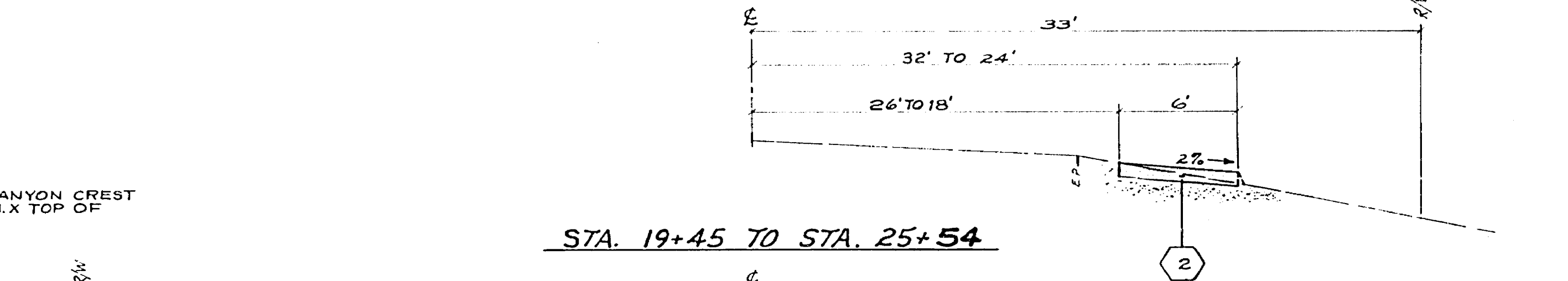
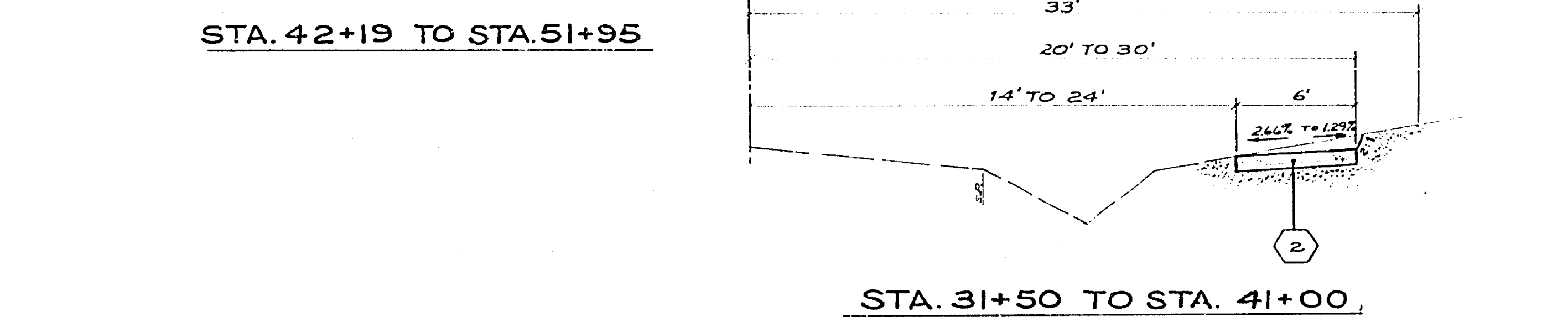
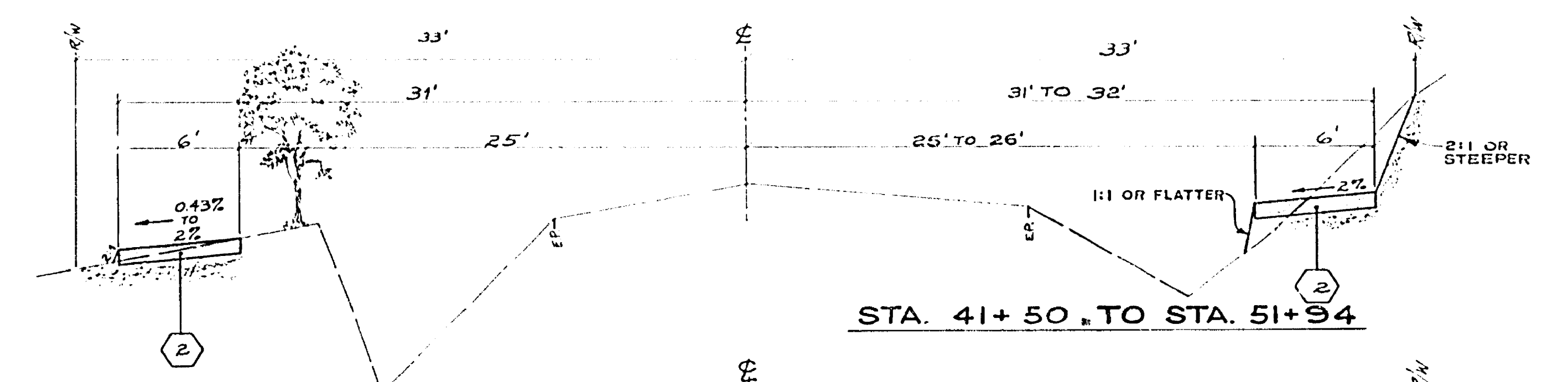
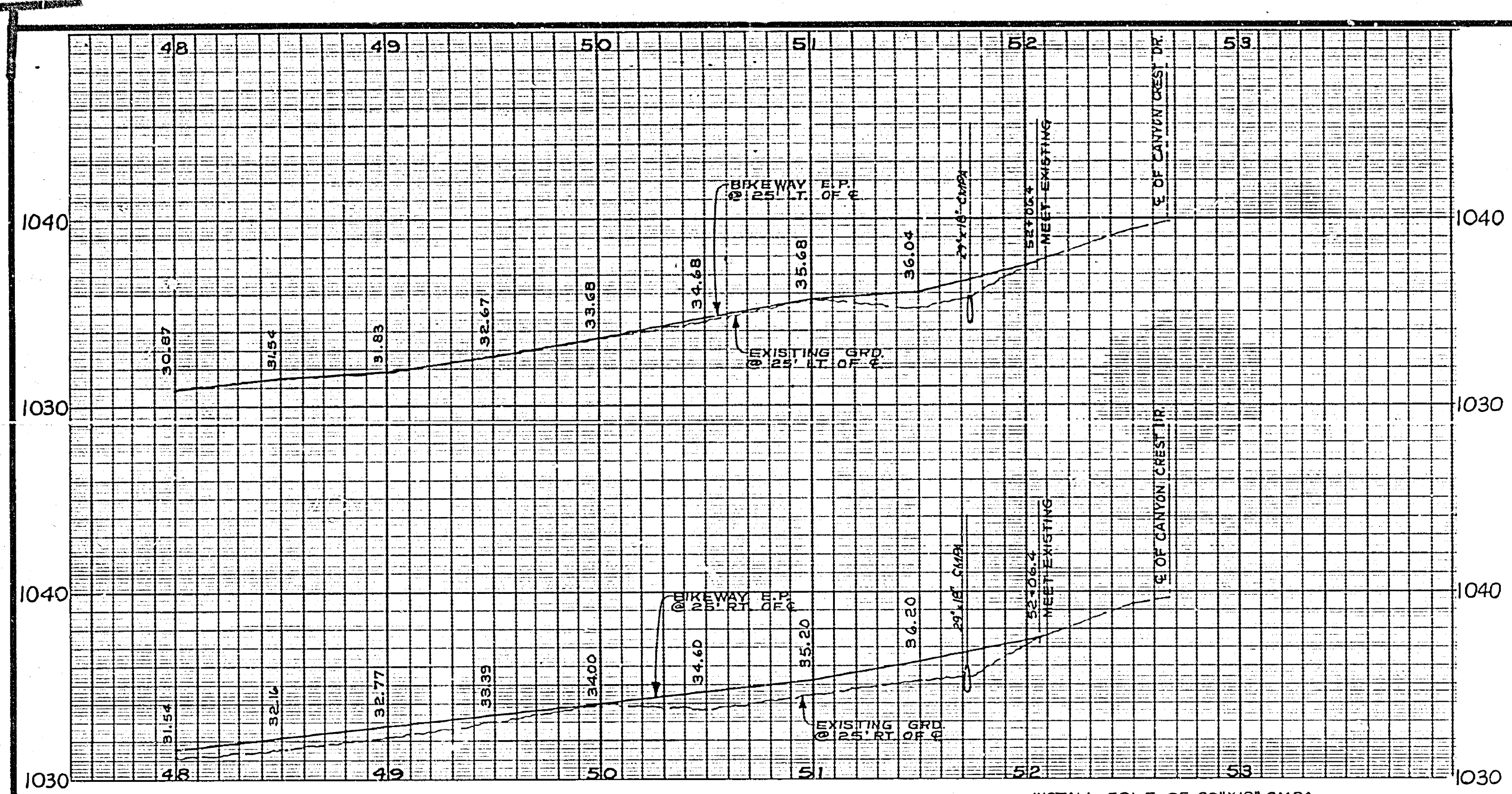


\*AS BUILT 8-20-74 RM

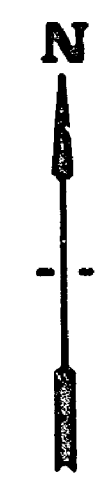
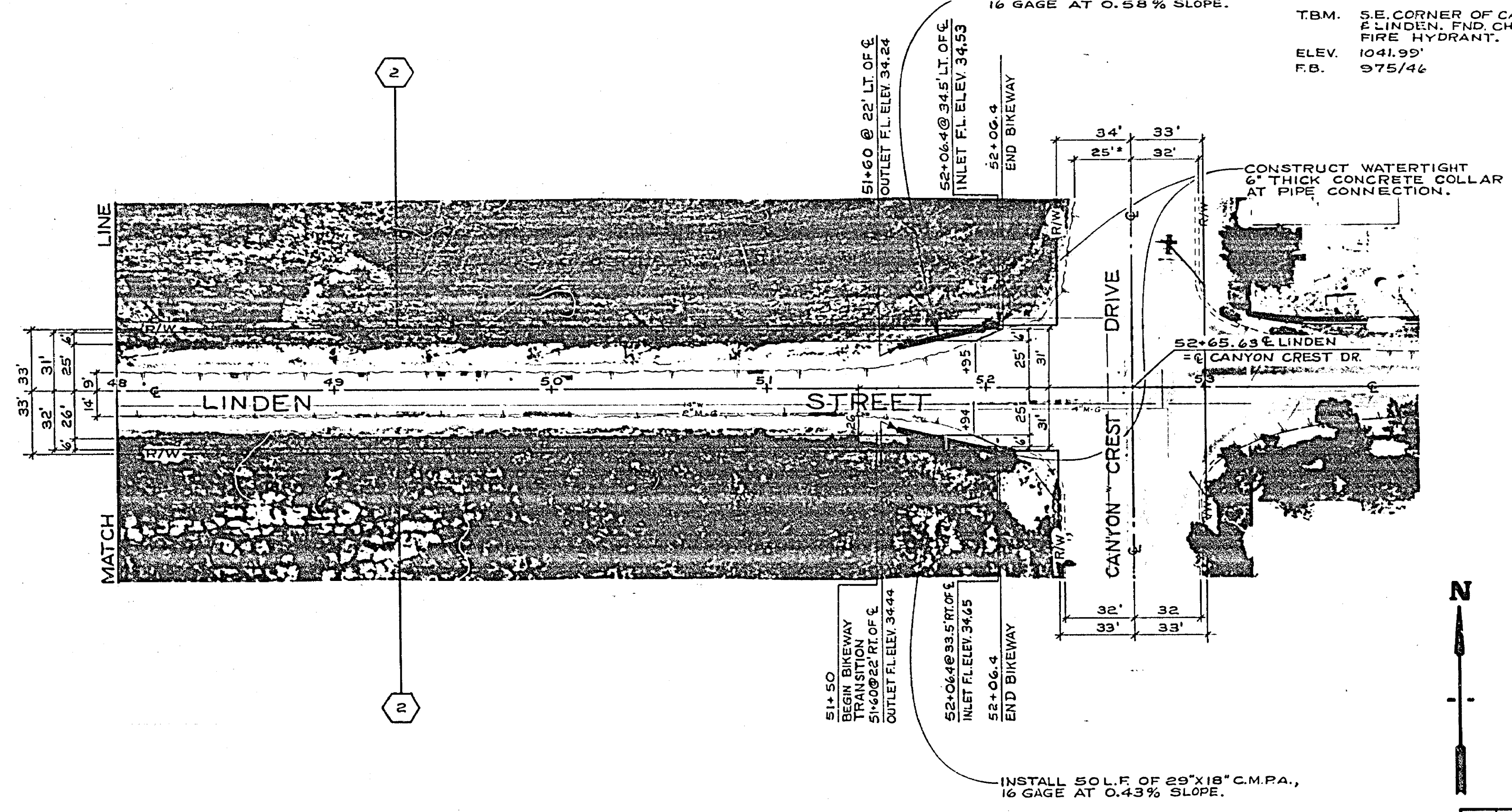
<b>CITY OF RIVERSIDE</b> PUBLIC WORKS DEPARTMENT		<b>Linden Street</b> <b>Bikeway</b> From Chicago to Canyon Crest		ACCOUNT NO 28-578-278-897001 DRAWING NUMBER <b>R-1754</b> SHEET <u>5</u> OF <u>6</u>
DESIGNED BY: <i>W.S.</i> DRAWN BY: <i>J.S.C.</i> CHECKED BY: <i>J.M.K.</i>	REVISIONS APPR. DATE	APPROVED BY: TRAFFIC DIVISION CHIEF P.W. ENGINEER	APPROVED BY: PUBLIC WORKS DIRECTOR DATE: <i>6/1/11</i>	HORIZ. SCALE: 1" = 40' VERT. SCALE: 1" = 4'

27  
 11  
 11  
 58  
 8.5"  
 11"  
 17"  
 22"

33"  
 11"  
 11"  
 82"  
 8.8"  
 11"  
 11"  
 33"



TYPICAL SECTIONS  
SCALE: HOR 1"=5'  
VER 1"=1'



<b>CITY OF RIVERSIDE</b> PUBLIC WORKS DEPARTMENT		<b>Linden Street</b> <b>Bikeway</b> From Chicago to Canyon Crest		ACCOUNT NO. 38-476-878-85/881 DRAWING NUMBER <b>R-1754</b> SHEET <b>6</b> OF <b>6</b>
APPROVED BY PRINCIPAL ENGINEER DATE 6/23/74	APPROVED BY PUBLIC WORKS DIRECTOR DATE 6/25/74	DESIGNED BY DRAWN BY CHECKED BY	HORIZ. SCALE: 1"=40' VERT. SCALE: 1"=4'	*AS BUILT 8-20-74 R/W