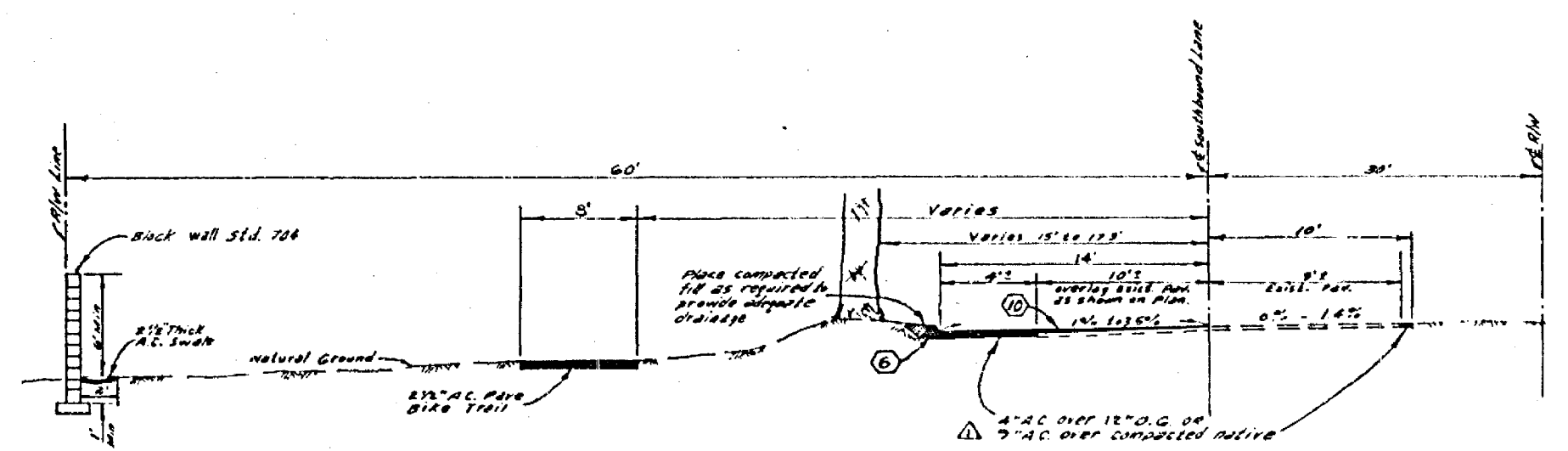
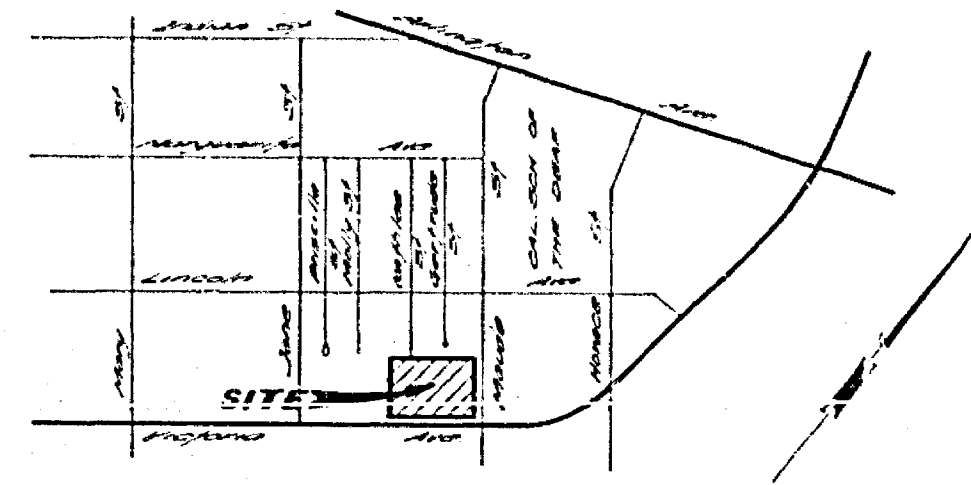


INDEX MAP



TYPICAL SECTION
VICTORIA AVENUE
NO. 7410
T.I. 7



LOCATION MAP
NO. 50417

GENERAL NOTES

1. Construction shall be in accordance with the approved specifications for public works construction with section and per City of Riverside Standard Drawings.
2. All proposed improvements shall be shown in the field by the engineer.
3. The construction shall include for a road that to be made by a road department after the streets have been prepared to such extent as to show permanent layout of the streets and the location of the proposed improvements.
4. Location of proposed improvements shall be shown in the field by the engineer.
5. Curb and gutter and all items to be shown in the field shall be shown in the field.
6. Traffic signal signs shall be in place and functioning at the time of the start of construction.
7. The limits that are shown on the plan shall be shown in the field and that existing the street will be finished by the contractor.
8. Existing signs and markings, their location and size, shall be shown in the field.
9. It shall be the responsibility of the contractor to show the location of all existing signs and markings in the field and to show the location of all existing signs and markings in the field.
10. The contractor shall provide for the protection of all existing signs and markings in the field and to show the location of all existing signs and markings in the field.
11. See street lighting plans for quantity and location of required street lighting.

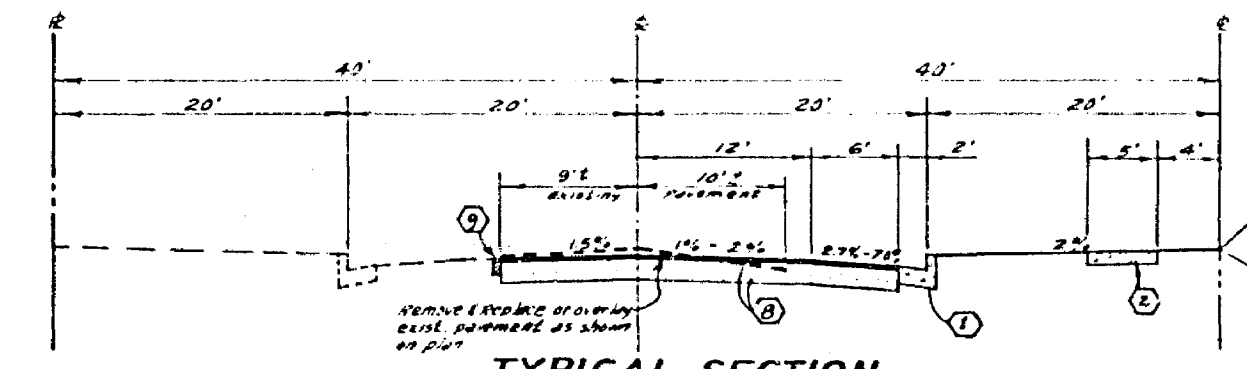
STREET NAME & TRAFFIC SIGN SCHEDULE		
(A)	KATHLEEN ST	2800
	FOSTER DR	6500
(B)	GLEASON CT	2700
	FOSTER DR	6500
(C)	MAUDE ST	2700
	FOSTER DR	6500
(D)	R-1 STOP SIGN	

CONSTRUCTION NOTES

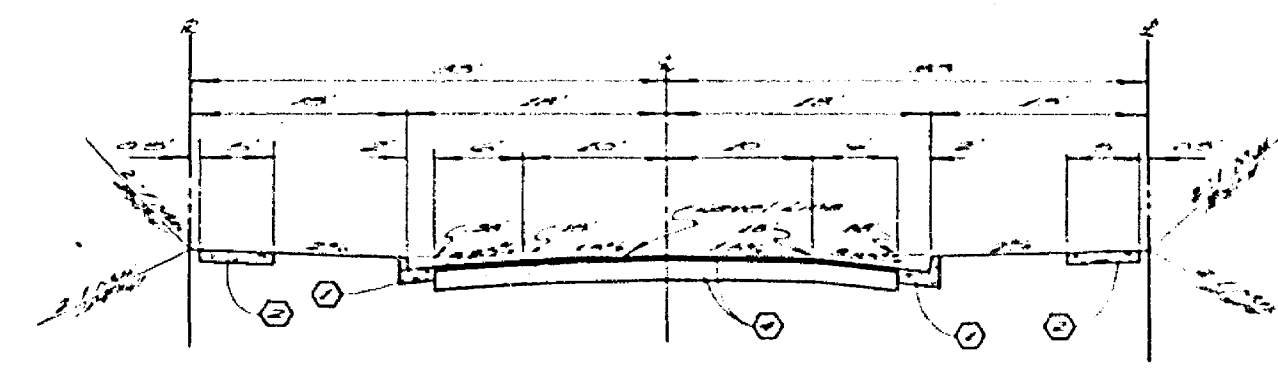
1. Construct 3" AC paving over 11" 2.5" base.
2. Construct 2" x 4" Keating header.
3. Construct 2" AC overlay.
4. Construct 3" AC paving over 11" 2.5" base.
5. Construct 2" x 4" Keating header.
6. Construct 2" AC overlay.

BENCH MARK

(100) 10' x 10' concrete bench mark set in concrete curb at intersection of Kathleen Street and Foster Drive.



TYPICAL SECTION
MAUDE STREET
NO. 50416
T.I. 6



TYPICAL SECTION
KATHLEEN STREET
FOSTER DRIVE
GLEASON COURT
NO. 50415
T.I. 5

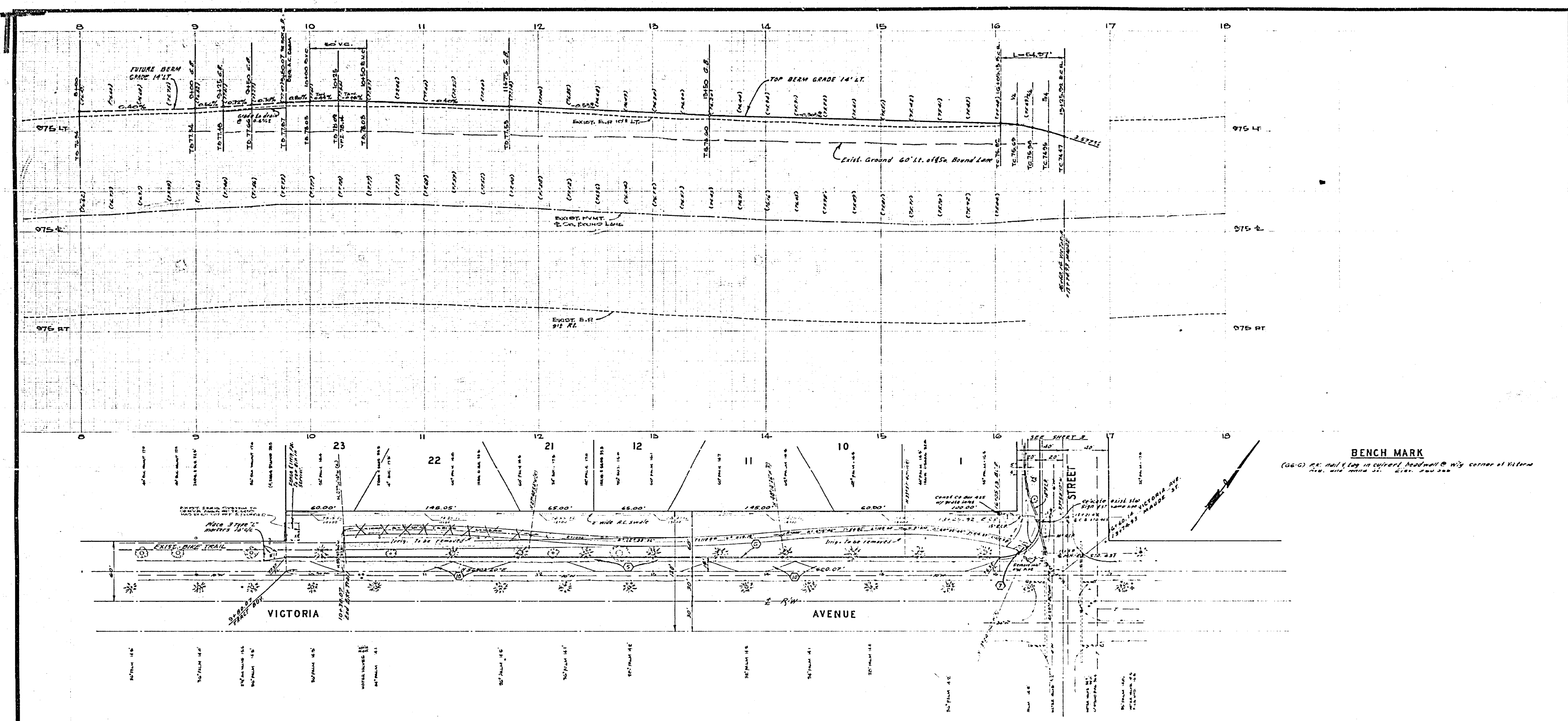
ALBERT A. WEBB ASSOCIATES
CIVIL ENGINEERS
RIVERSIDE, CALIFORNIA
APPROVED BY: *Albert A. Webb* DATE: 5/6/45
R.E. No. 2472

DESIGNED BY: *Albert A. Webb* CHECKED BY: *Albert A. Webb*
DATE: 5/6/45

CITY OF RIVERSIDE, CALIFORNIA
PUBLIC WORKS DEPARTMENT
APPROVED BY: *Albert A. Webb* DATE: 5/6/45

STREET PLAN AND PROFILE
INDEX
TRACT NO. 5459

R-1822
SHEET 1 OF 5
73-209-A

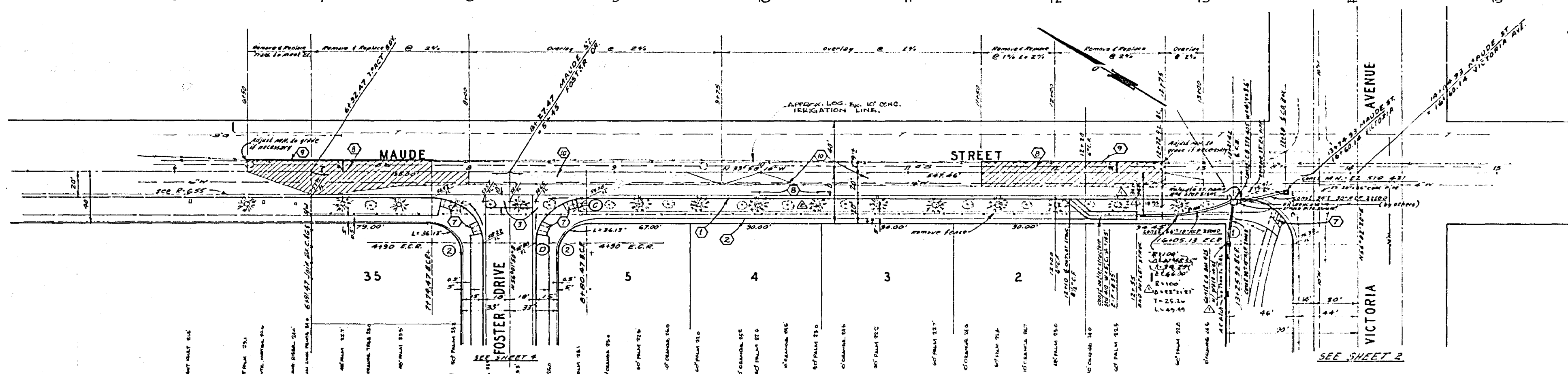
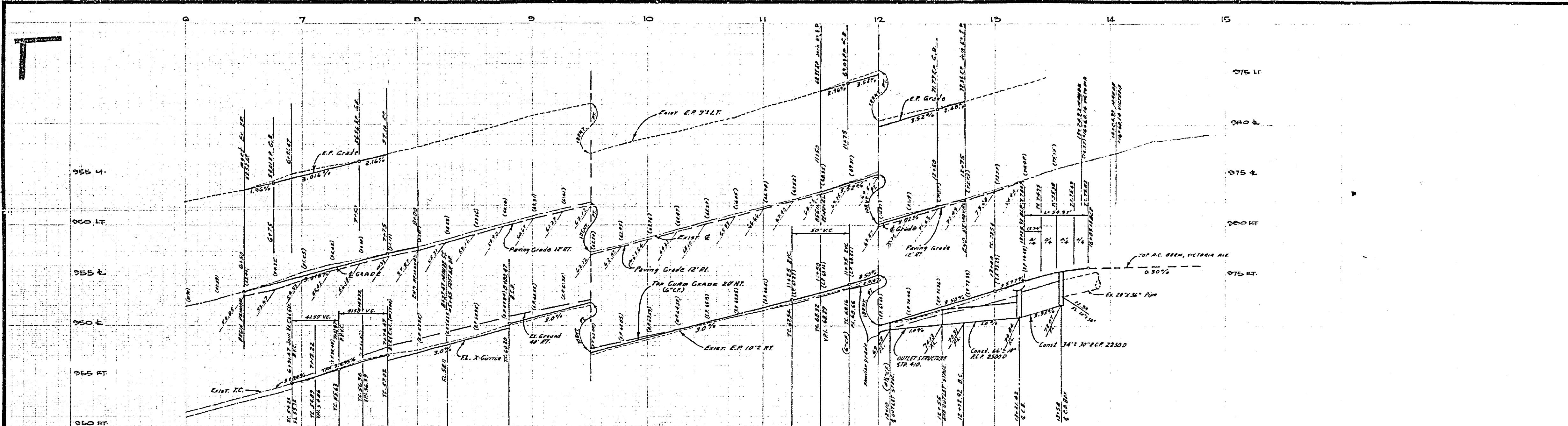


BENCH MARK
 (66-10) 24' nail top in concrete foundation @ NW corner of Victoria
 St. and Maude St. Elev. 975.00

CURB RETURN DATA

NO	W	E	S	L
(1)	33'	89'59"50"	34'39"	34'39"

ALBERT A. WEBB ASSOCIATES CIVIL ENGINEERS RIVERSIDE, CALIFORNIA APPROVED BY: <i>[Signature]</i> DATE: 5/6/75 RE. No. 2274 7072-209 FOR THE CIVIL CO. FRIDLE		CITY OF RIVERSIDE, CALIFORNIA PUBLIC WORKS DEPARTMENT APPROVED BY: <i>[Signature]</i> TRACT 5459 DATE: 7-23-75		STREET PLAN AND PROFILE VICTORIA AVENUE TRACT 5459 ACCOUNT NO. DRAWING NUMBER R-1822 SHEET 2 OF 5 73-209-A	
---	--	--	--	--	--



CURB RETURN DATA

NO.	ST.	STATION	CHORD	CHORD BEARING
(1)	35	21+00.00	34.22'	S4.02°E
(2)	35	22+00.00	35.00'	S4.98°E

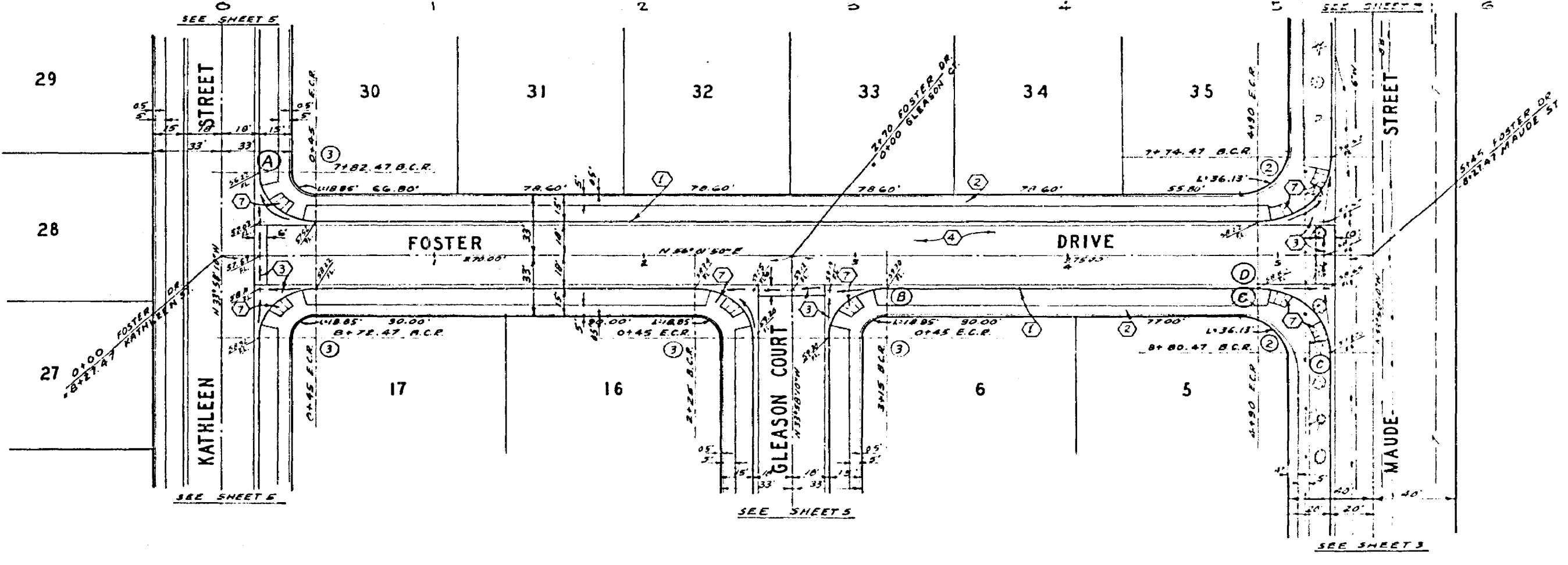
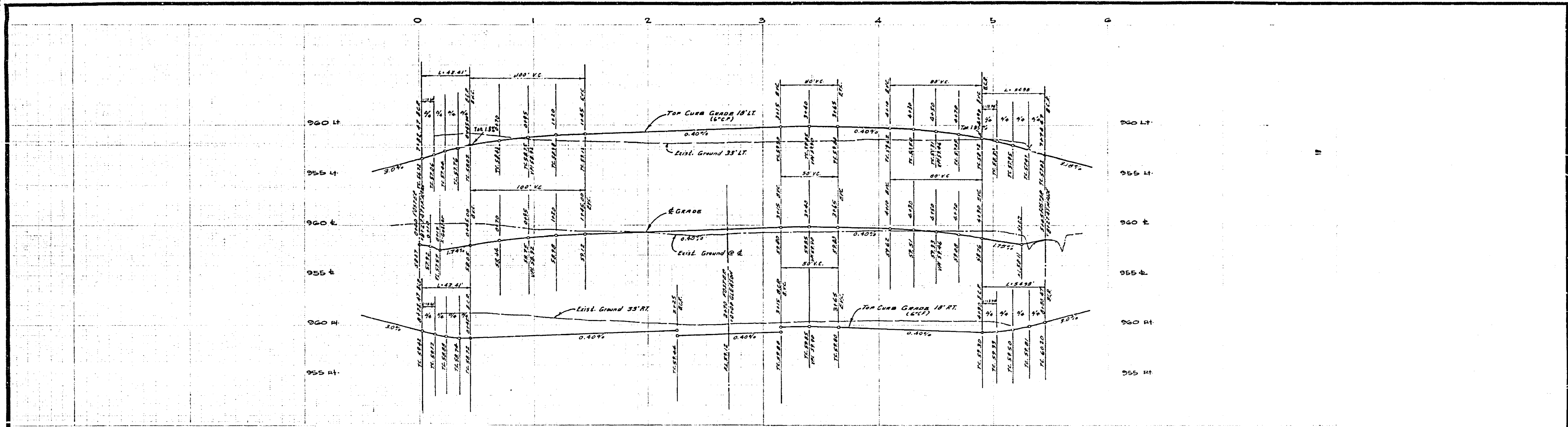
ALBERT A. WEBB ASSOCIATES
 CIVIL ENGINEERS
 RIVERSIDE, CALIFORNIA
 APPROVED BY: *[Signature]* DATE: 6/4/55
 R.S. No. 2222

NO.	BY	DATE
1	ALBERT A. WEBB	6/4/55
2	ALBERT A. WEBB	6/4/55
3	ALBERT A. WEBB	6/4/55
4	ALBERT A. WEBB	6/4/55
5	ALBERT A. WEBB	6/4/55

CITY OF RIVERSIDE, CALIFORNIA
 PUBLIC WORKS DEPARTMENT
 APPROVED BY: *[Signature]*
 DIRECTOR OF PUBLIC WORKS
 DATE: 7-17-55

STREET PLAN AND PROFILE
 MAUDE STREET
 TRACT 5459

ACCOUNT NO.
 DRAWING NUMBER
 R-1822
 SHEET 3 OF 5
 73-209-A

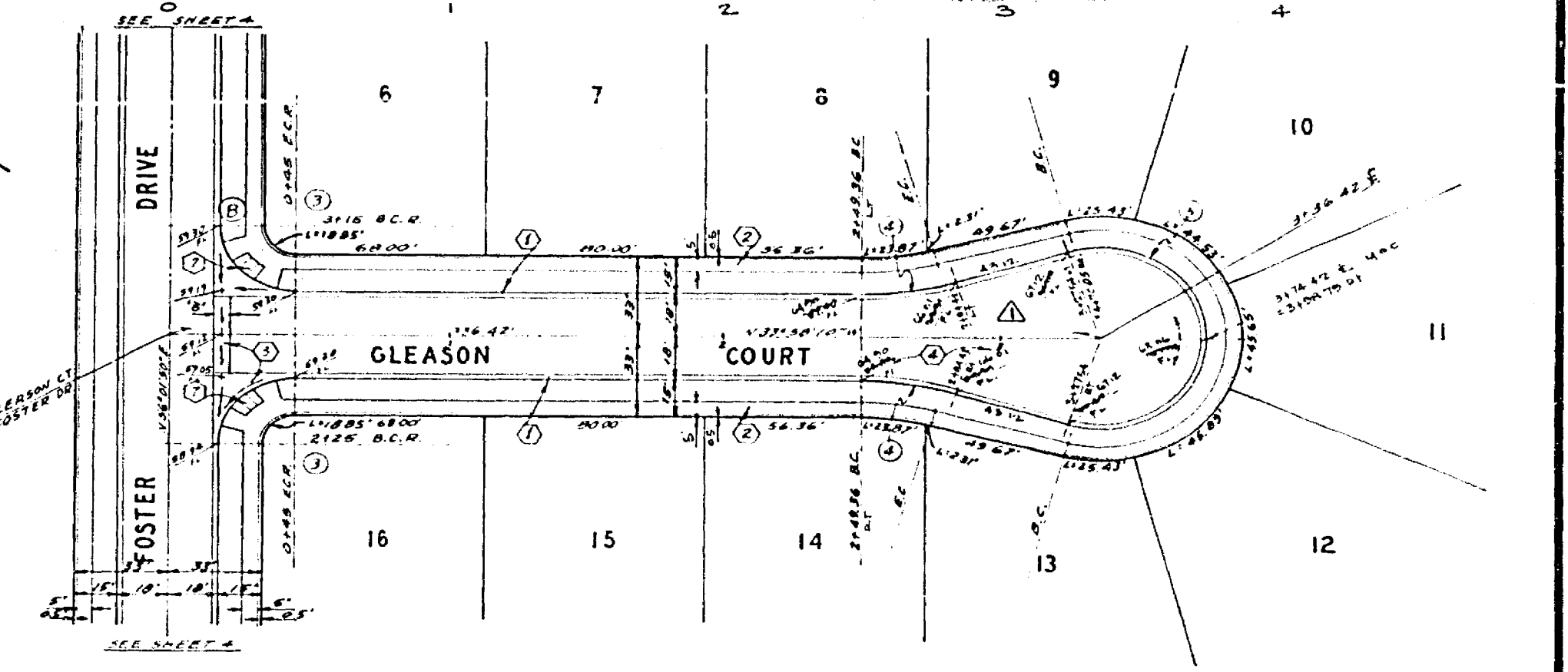
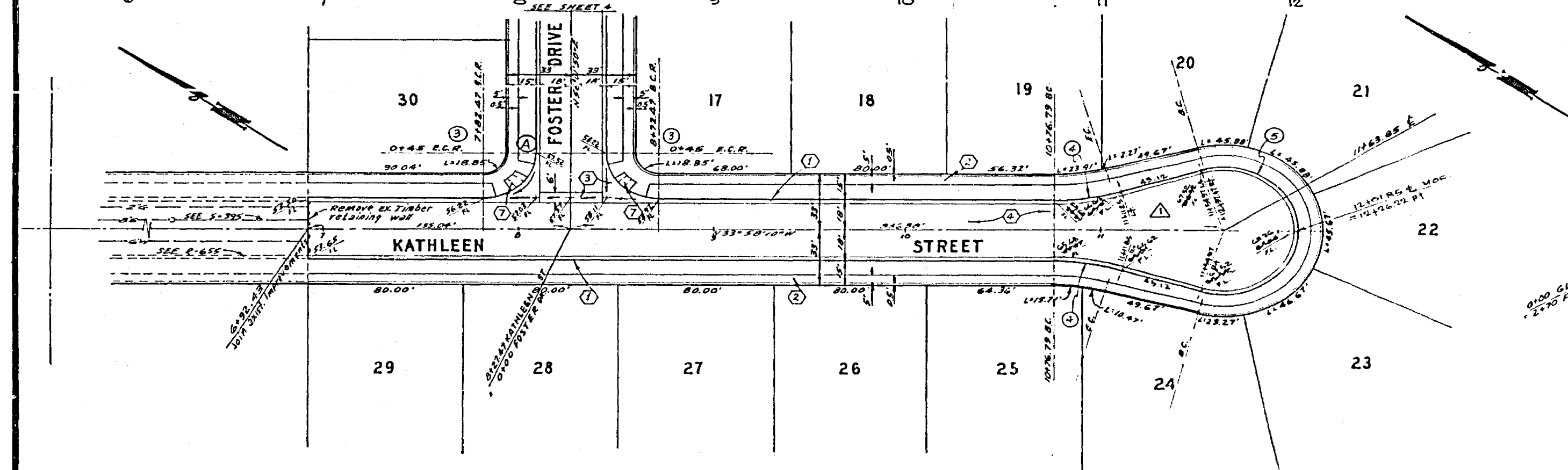
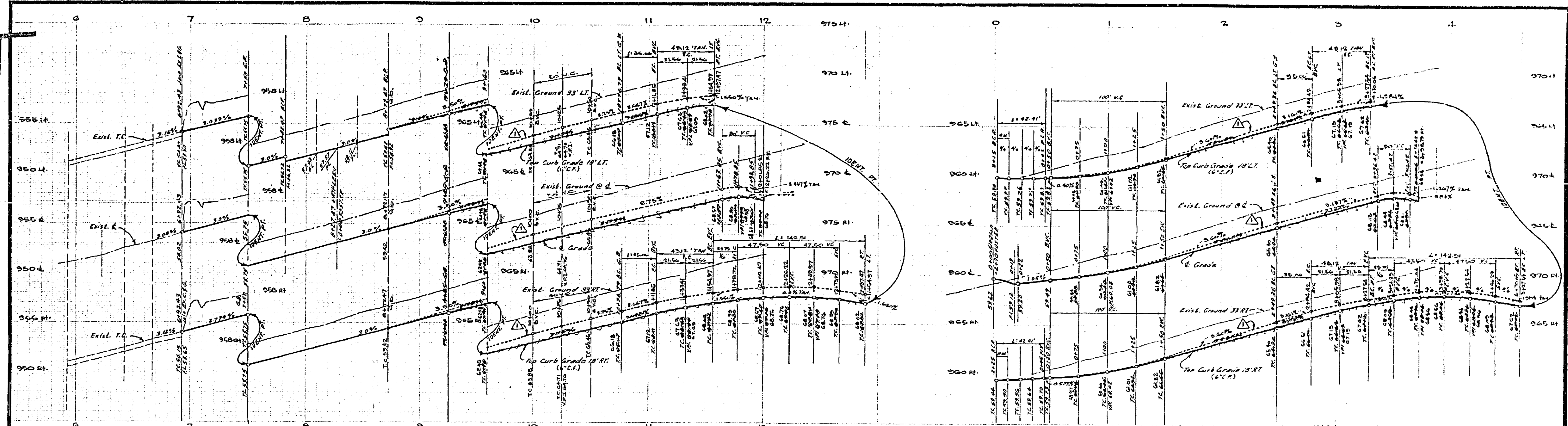


BENCH MARK
 (2.00) PK. 1111 (by) in center roadway @ W. corner of Victoria
 Ave. and Anna St. Elev. 960.365

CURB CURVE DATA

NO.	Δ	R	LC	EC	SC
1	27	100.00'	25.00'	54.90'	
2	27	90.00'	22.00'	42.41'	

ALBERT A. WEBB ASSOCIATES CIVIL ENGINEERS RIVERSIDE, CALIFORNIA APPROVED BY: <i>[Signature]</i> DATE: 5/6/58 R.E. No. 3055	DESIGNED BY: J.S.K. DRAWN BY: J.C.C. CHECKED BY: J.D.M.	CITY OF RIVERSIDE, CALIFORNIA PUBLIC WORKS DEPARTMENT	STREET PLAN AND PROFILE FOSTER DRIVE	ACCOUNT NO. DRAWING NUMBER R-1822
		APPROVED BY: <i>[Signature]</i> DATE: 7-23-57 DIRECTOR OF PUBLIC WORKS	TRACT 5459	SHEET 4 OF 5 73-209-A



CURB CURVE DATA

NO.	A'	A	T	L
(1)	27	30° 00' 00"	27.00'	22.41'
(2)	15	17° 30' 00"	15.00'	30.00'
(3)	24	24° 00' 00"	—	142.41'

BENCH MARK
 (100.00' at 100.00' station in original plan and map corner of lot and block 31' elev 940.50'

ALBERT A. WEBB ASSOCIATES CIVIL ENGINEERS RIVERSIDE, CALIFORNIA APPROVED BY: <i>[Signature]</i> R.E. No. 5075 W-77-268 FOR THE PUBLIC CO. P.M. 1122	CITY OF RIVERSIDE, CALIFORNIA PUBLIC WORKS DEPARTMENT APPROVED BY: <i>[Signature]</i> TRAFFIC DIVISION DATE: 7-23-77	STREET PLAN AND PROFILE KATHLEEN STREET GLEASON COURT TRACT 5459	ACCOUNT NO. DRAWING NUMBER R-1822 SHEET 5 OF 5 73-209-A
		SCALE: 1" = 40' HORIZ. 1" = 4' VERT.	