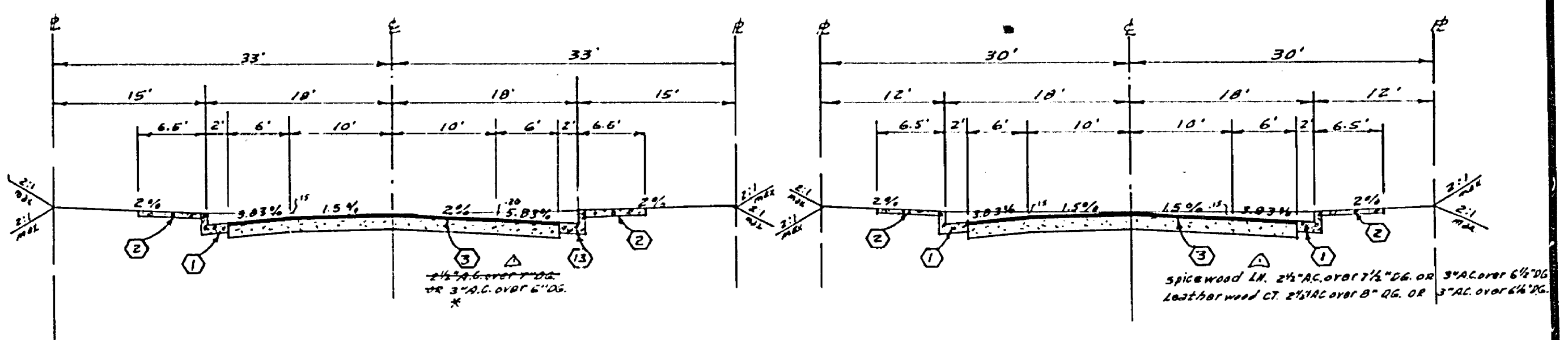
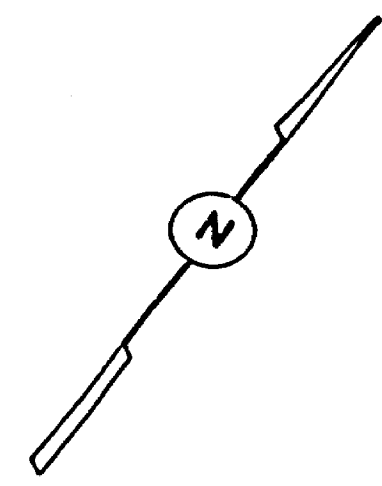


STREET NAME & TRAFFIC SIGN SCHEDULE		
(A)	MONROE ST	2700
(B)	TROPICANA DR	2700
(C)	LEATHERWOOD CT	2700
(D)	SPICEWOOD LN	2700
(E)	TROPICANA DR	2700
(F)	R1 (STOP SIGN)	30" Octagon
(G)	W53 (NOT A THROUGH STREET)	24" X 24"



TYPICAL SECTION
TROPICANA DRIVE
NO SCALE
T.I. = 5

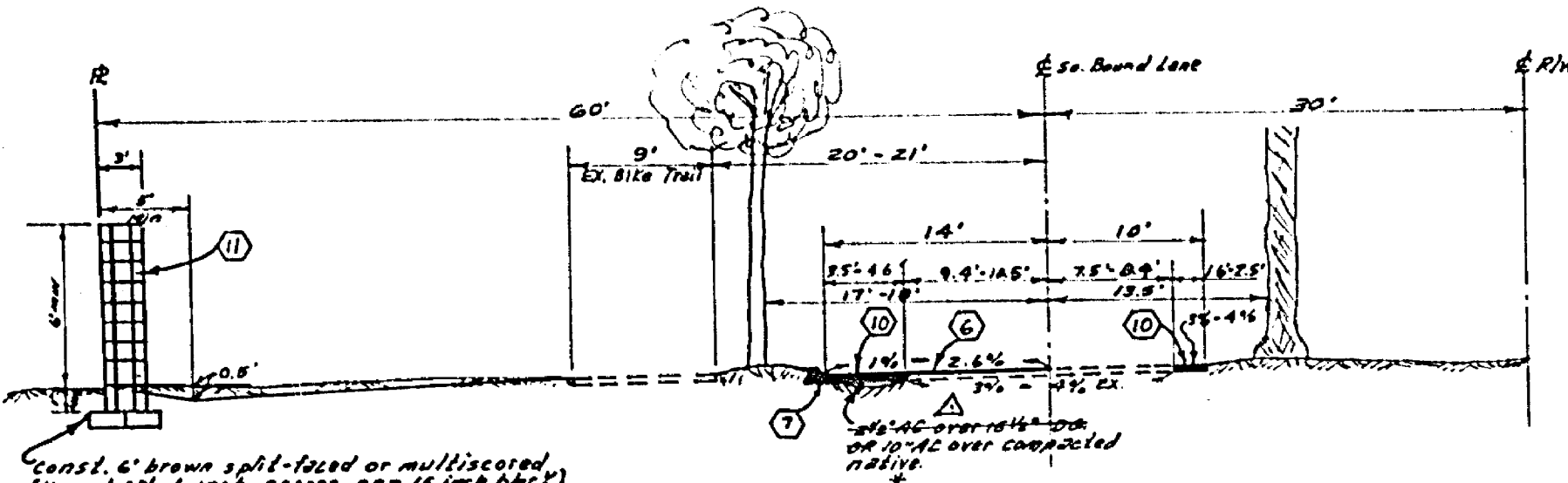
TYPICAL SECTION
LEATHERWOOD CT. & SPICEWOOD LN.
NO SCALE
T.I. = 5

CONSTRUCTION NOTES

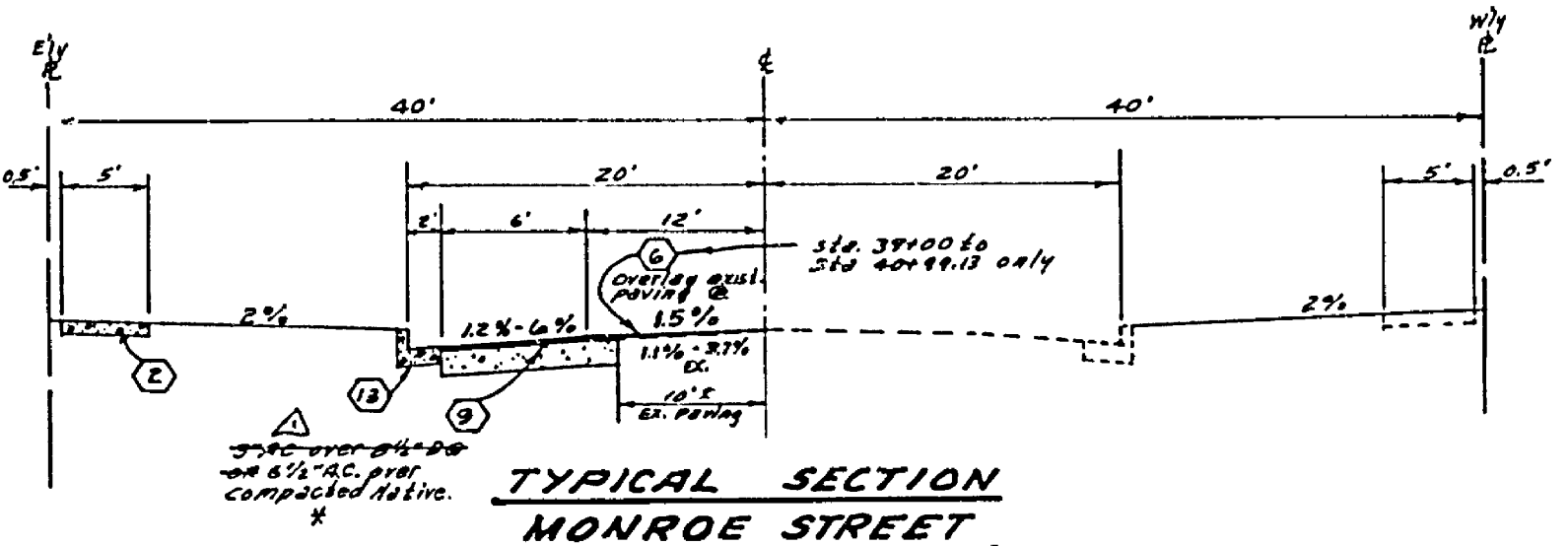
- 1 Const. Curb & Gutter Std. No. 200 (C.C.F.)
- 2 Const. Sidewalk Std. No. 325
- 3 Const. 2 1/2" AC over 4" AC over compacted native
- 4 Const. Cross gutter Std. No. 220
- 5 Const. Wheelchair Ramp Std. No. 304
- 6 Overlay exist. paving with variable thickness A.C. per Typical Section and plan.
- 7 Const. A.C. Berm Type 1, Std. No. 250
- 8 Const. Barricade Std. No. 180
- 9 Const. 2 1/2" AC over 4" AC over compacted native
- 10 Const. 2 1/2" AC over 4" AC over compacted native
- 11 Const. 6" block wall per Std. 704
- 12 Install 2" X 4" Redwood Header
- 13 Const. Curb & Gutter Std. No. 200 (B.C.F.)

GENERAL NOTES

1. Construction shall be in accordance with the standard specifications for public works construction, 1976 edition and City of Riverside Standard drawings.
2. The subdivider shall arrange for a soil test to be taken by a soils engineer after the streets have been prepared to rough grade. Depth of base material and A.C. paving shall be determined by City of Riverside design standards and test procedures.
3. All flagged elevations shall be staked in the field by the private engineer.
4. All traffic signs shall be installed prior to opening the streets to traffic.
5. Const. curb returns per Std. Dwg. 304.
6. It shall be the responsibility of the contractor to clear the right of way in accordance with the provisions of law to 12' offset curb width including utility lines and appurtenances and at no cost to the City.
7. Trim edge of existing pavement where new pavement joins to a smooth straight line. Contractor match-up paving as shown and overlay pavements directed in the field to produce a smooth section. Engineer estimates overlay to be 60 tons.
8. Curb and gutter shall be staked with 3' offset at 25' intervals.
9. Construct driveway approaches per Std. Dwg. 302, Type X, exact size and location to be determined at the time of construction as approved by the Traffic Engineer.
10. See "STREET LIGHTING PLANS" for quantity and location of required street lights.
11. See Landscaping and sprinkler system plans for parkway on Victoria Ave.
12. 4" X 4" blockouts for mailboxes required in curb sidewalk.



TYPICAL SECTION
VICTORIA AVENUE
NO SCALE
T.I. = 7



TYPICAL SECTION
MONROE STREET
NO SCALE
T.I. = 6

BENCH MARK: Elev 8455.99
R.R. & San. City of Riverside Exp. for R.W.C. canal
Headwall W. side Monroe, City R.M. F-5-H.

ALBERT A. WEBB ASSOCIATES
CIVIL ENGINEERS
RIVERSIDE, CALIFORNIA
APPROVED BY: *E. N. Webb* DATE: 7/15/76
R.E. No. 9876

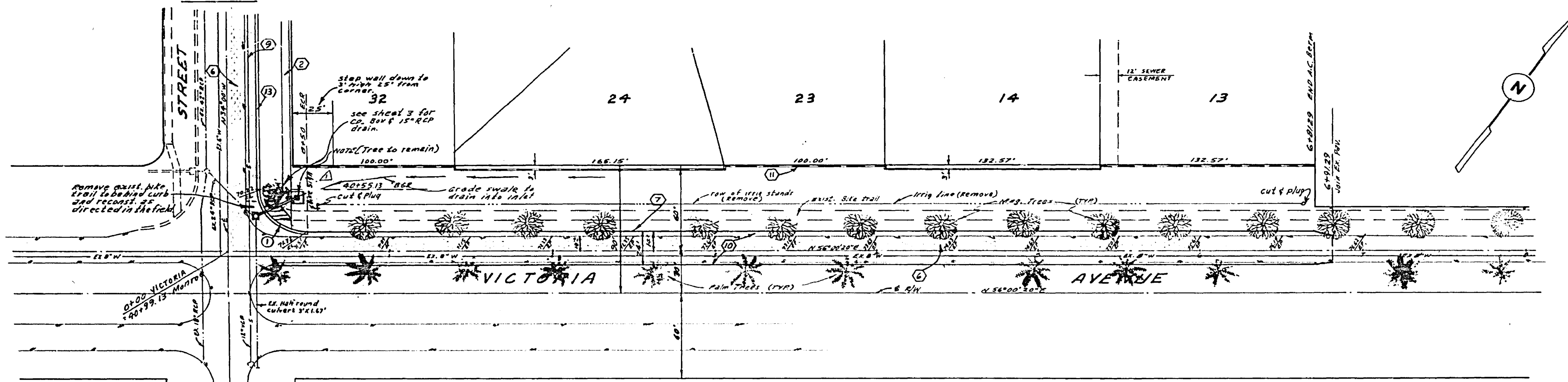
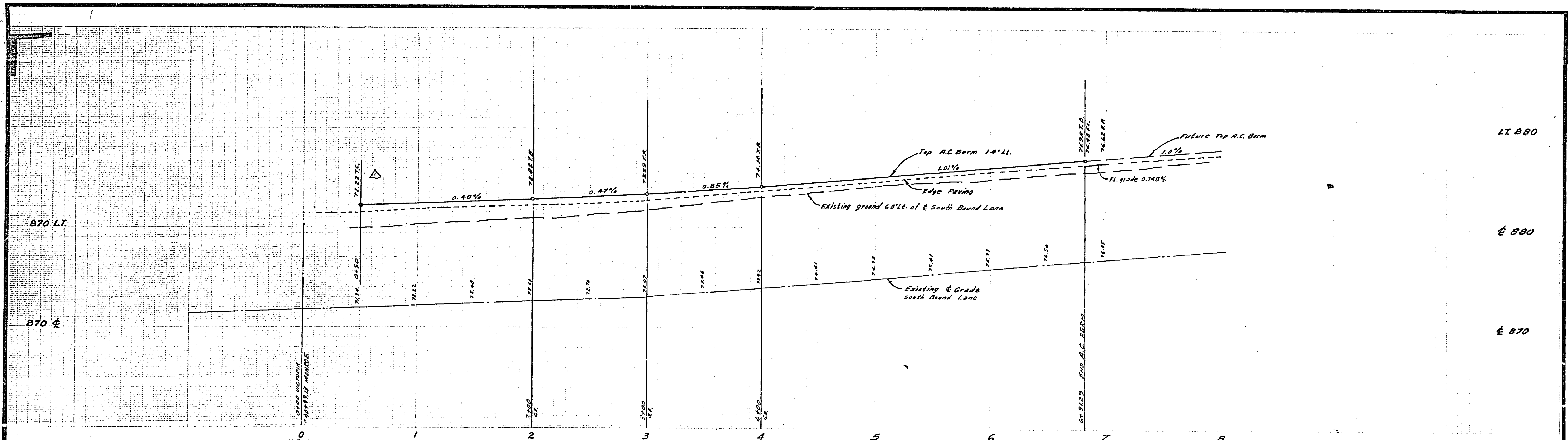
NO.	REVISIONS	DATE
1	ADD REVISION SECTION ENW 12-11-76	

CITY OF RIVERSIDE, CALIFORNIA
PUBLIC WORKS DEPARTMENT
APPROVED BY: *[Signature]* DATE: 11-19-76
TRAFFIC DIVISION
CHIEF PUBLIC WORKS ENGINEER
PLANNING DEPT.

STREET PLAN & PROFILE
INDEX MAP
TRACT 6305
SCALE: 1" = 50'

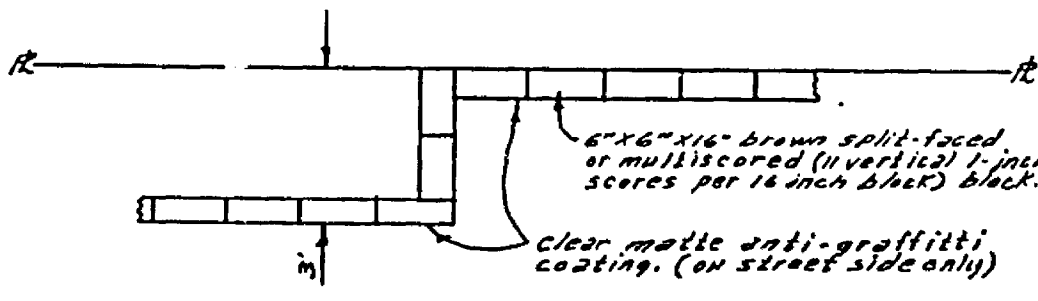
INCREASED R.R.
ACCOUNT NO.
DRAWING NUMBER
R-1911
SHEET 1 OF 5
74-264-A

W.D. 78-264 FOR: F.R. 1038 DESIGNED BY: BEE DRAWN BY: BEE CHECKED BY: BEM



CURVE DATA

NO.	R	Δ	T	L
①	30'	89°59'40"	30.00'	47.12'



BENCH MARK: Elev. 845.599
 22' x 4" Log City of Riverside Eng. Div. R.W.C. Canal
 Referred to Side Monroec. City D.M. P-554

GAGE CANAL CO. Approval for Irrigation Removal
 By A.P. Hays Date 10/11/76

ALBERT A. WEBB ASSOCIATES
 CIVIL ENGINEERS
 RIVERSIDE, CALIFORNIA
 APPROVED BY D. N. Webb DATE 7/15/76
 R.E. No. 9826

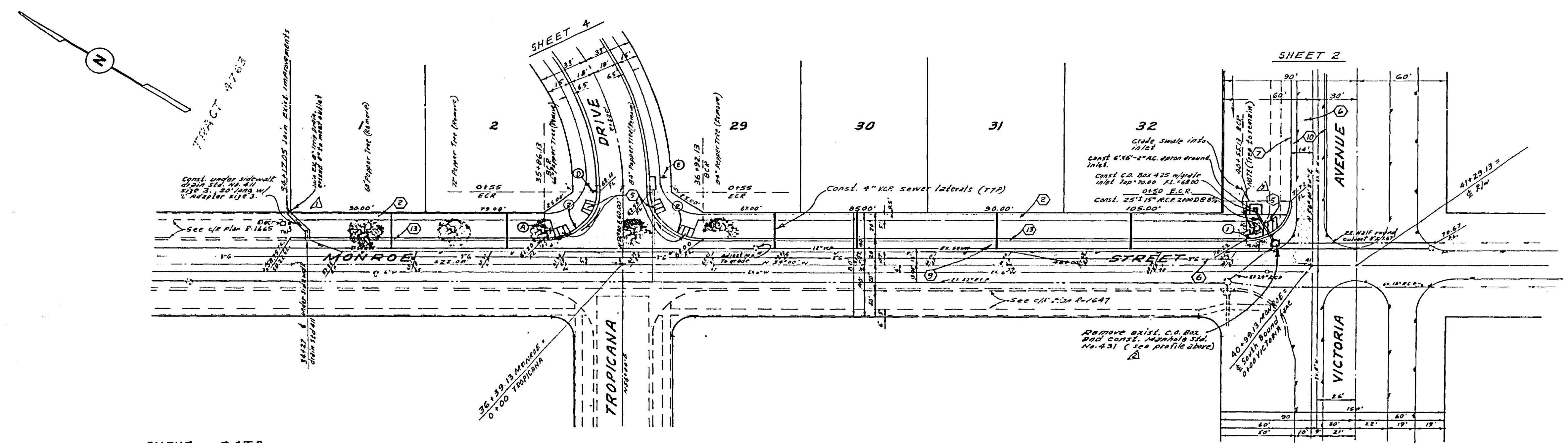
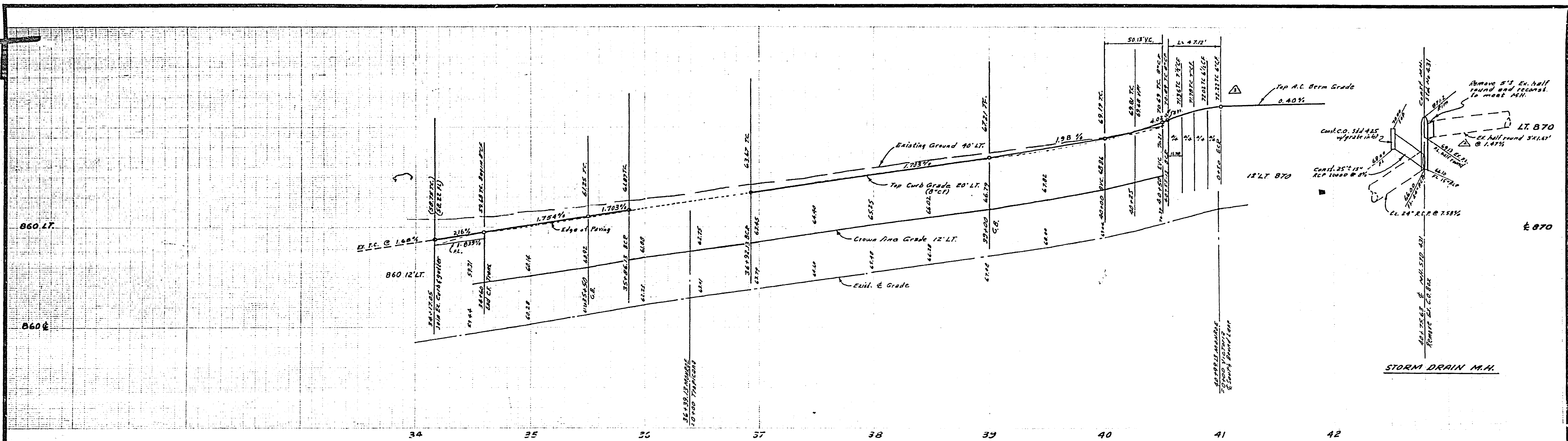
NO.	REVISIONS	DATE
1	Revised curb return to match	7/15/76

CITY OF RIVERSIDE, CALIFORNIA
 PUBLIC WORKS DEPARTMENT
 APPROVED BY [Signature] DATE 11-19-76
 DIRECTOR OF PUBLIC WORKS

STREET PLAN & PROFILE
VICTORIA AVENUE
TRACT 6305

ACCOUNT No.
R-1911
 SHEET 2 OF 5
 DRAWING NUMBER
74-264-A

SCALE: 1" = 40' Horiz., 1" = 4' Vert.

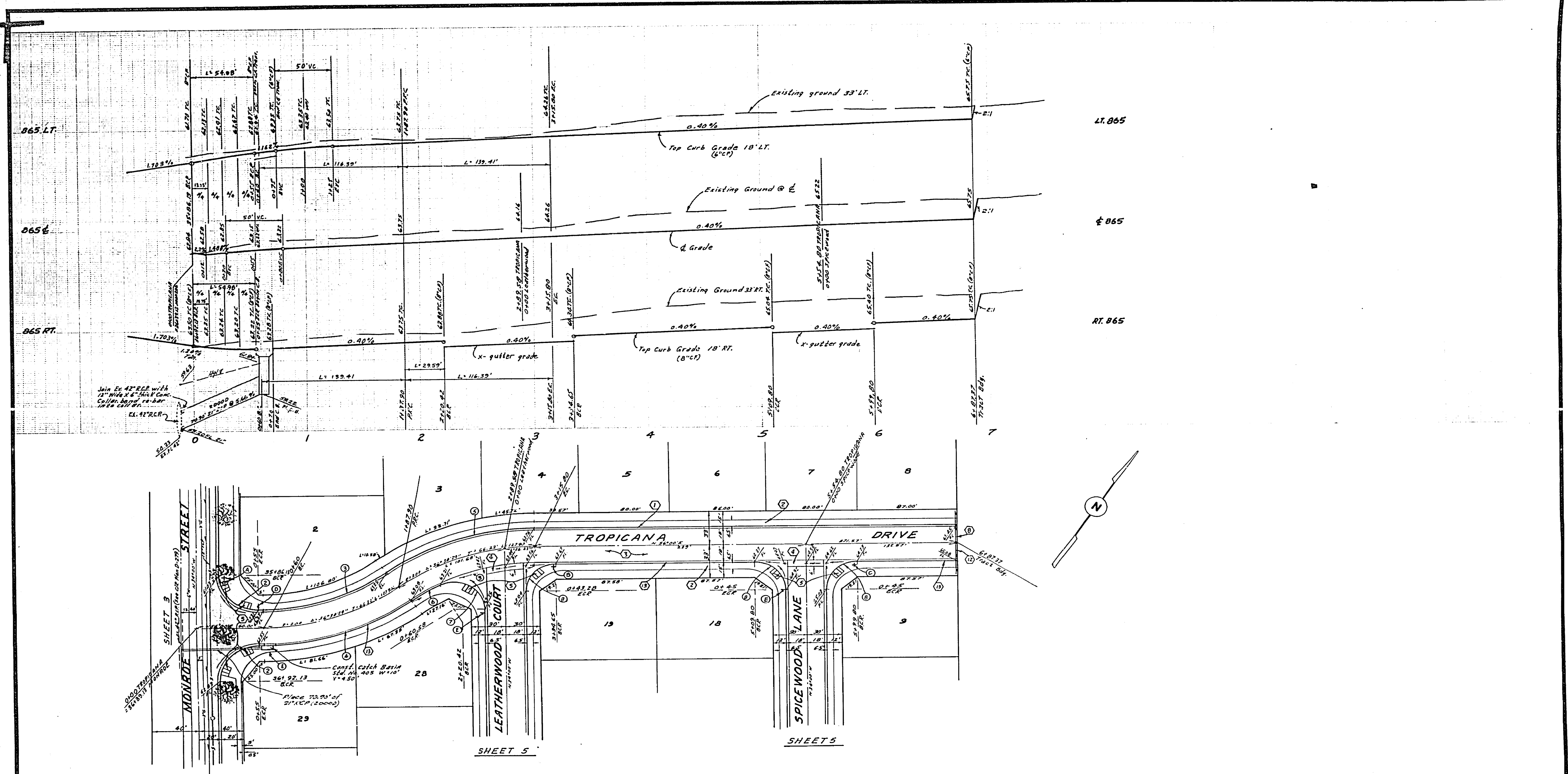


CURVE DATA

No.	R.	Δ	T	L
①	30'	89° 29' 40"	30.00'	47.12'
②	35'	90° 00' 00"	35.00'	54.99'

BENCH MARK: Elev. 845.529
 Pk. 6 Log City of Riverside Eng. Top N.W.C. Canal
 headwall W. side Monroe. City, R.M. 2-5-24

ALBERT A. WEBB ASSOCIATES CIVIL ENGINEERS RIVERSIDE, CALIFORNIA APPROVED BY: <i>[Signature]</i> DATE: 7/15/76 R.E. No. 2876		CITY OF RIVERSIDE, CALIFORNIA PUBLIC WORKS DEPARTMENT APPROVED BY: <i>[Signature]</i> DATE: 11-19-76 CHIEF PUBLIC WORKS ENGINEER		ACCOUNT NO. R-1911 SHEET 3 OF 5
W.O. 74-264 FOR:		DESIGNED BY: <i>[Signature]</i> DRAWN BY: <i>[Signature]</i> CHECKED BY: <i>[Signature]</i>		DRAWING NUMBER 74-264-A



CURVE DATA

NO.	R	Δ	T	L
①	35'	93°10'00"	35.00'	54.98'
②	102'	36°38'29"	60.26'	116.39'
③	210'	36°38'29"	72.18'	139.41'
④	210'	36°38'29"	72.18'	139.41'
⑤	102'	36°38'29"	60.26'	116.39'
⑥	27'	117°19'29"	44.34'	55.29'
⑦	27'	93°03'00"	27.00'	42.41'

BENCH MARK: Elev. 845.599
 At 4100 City of Riverside Exp. Top R.W.C. Canal
 headwall W. side Monroe. City D.M.P. 5-N

ALBERT A. WEBB ASSOCIATES CIVIL ENGINEERS RIVERSIDE, CALIFORNIA		CITY OF RIVERSIDE, CALIFORNIA PUBLIC WORKS DEPARTMENT		ACCOUNT No. DRAWING NUMBER	
APPROVED BY: <u>Albert A. Webb</u> DATE: <u>7/15/76</u>		APPROVED BY: <u>[Signature]</u> DATE: <u>11-19-76</u>		R-1911	
R.E. No. <u>2076</u>		TRAFFIC DIVISION		SHEET <u>4</u> OF <u>5</u>	
DESIGNED BY: <u>REL</u> DRAWN BY: <u>REL</u> CHECKED BY: <u>ARM</u>		DATE: <u>11-19-76</u>		74-264-A	

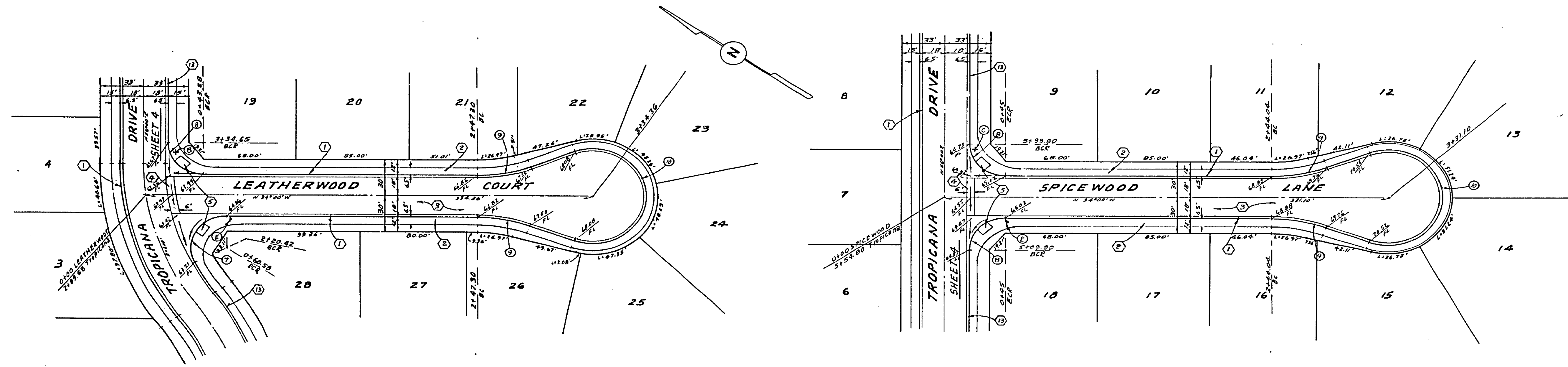
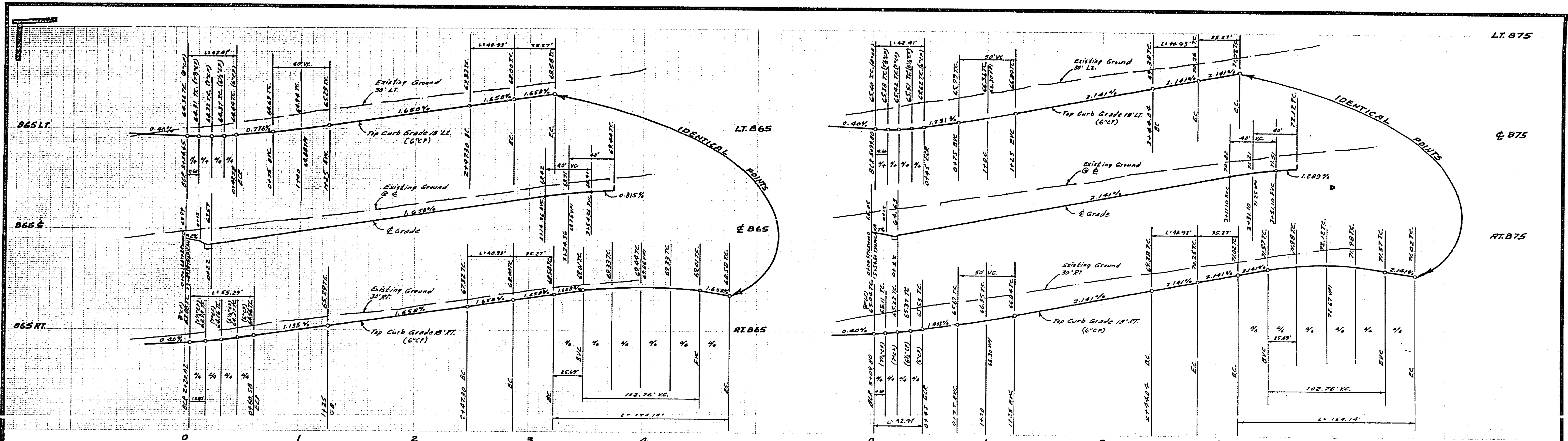
*AS BUILT 8-77 NET

STREET PLAN & PROFILE

TROPICANA DRIVE

TRACT 6305

SCALE: 1" = 40' Horiz., 1" = 4' Vert



CURVE DATA

No.	R	Δ	T	L
①	27'	117° 19' 29"	44.34'	55.29'
②	27'	90° 00' 00"	27.00'	42.41'
③	115'	20° 23' 27"	20.60'	40.93'
④	40'	220° 46' 54"	—	154.14'

BENCH MARK: Elev 845.599
 At 5' E of City of Riverside Eng. Top R.M.C. Canal
 Redwood W. Side Monroe, City B.M. F.S.W.

<p>ALBERT A. WEBB ASSOCIATES CIVIL ENGINEERS RIVERSIDE, CALIFORNIA</p> <p>APPROVED BY: <i>[Signature]</i> DATE: 1/15/76 R.E. No. 3872</p>	<p>CITY OF RIVERSIDE, CALIFORNIA PUBLIC WORKS DEPARTMENT</p> <p>APPROVED BY: <i>[Signature]</i> DATE: 1/15/76 PRINCIPAL ENGINEER TRAFFIC DIVISION CHIEF PUBLIC WORKS ENGR.</p>	<p>STREET PLAN & PROFILE</p> <p>SPICEWOOD LANE LEATHERWOOD COURT TRACT 6305</p> <p>ACCOUNT NO. _____ DRAWING NUMBER R-1911 SHEET 5 OF 5 74-264-A</p>
<p>DESIGNED BY: <i>[Signature]</i> DRAWN BY: <i>[Signature]</i> CHECKED BY: <i>[Signature]</i></p>		<p>DATE: 1-15-76 SCALE: 1" = 40' Horiz., 1" = 4' Vert.</p>