

LOCATION MAP  
No scale

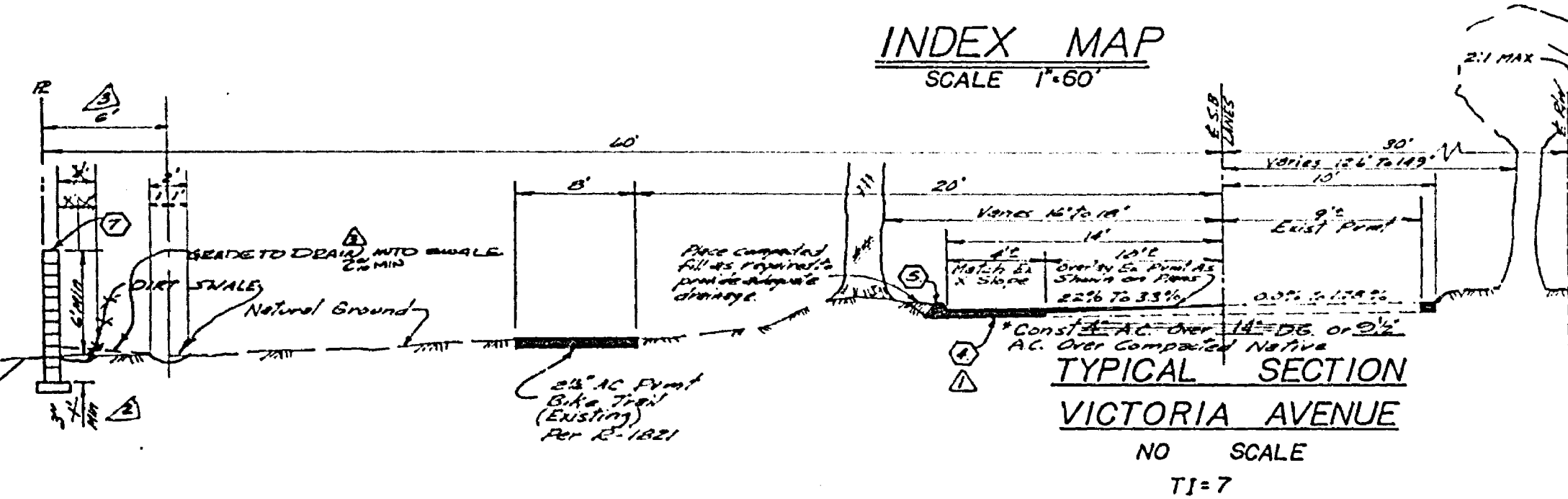
STREET NAME & TRAFFIC SIGN SCHEDULE		
(A)	FAIRCHILD DR	6600
(A)	JANE ST	2700
(B)	FAIRCHILD DR	6600
(B)	ADELAIDE CT	2700
(C)	FAIRCHILD DR	6600
(C)	MOLLY ST	2700
(D)	R-1 (STOP SIGN) 24" OCTAGON	
(E)	W-53 (NOT A THROUGH ST) 24" x 24"	

**GENERAL NOTES**

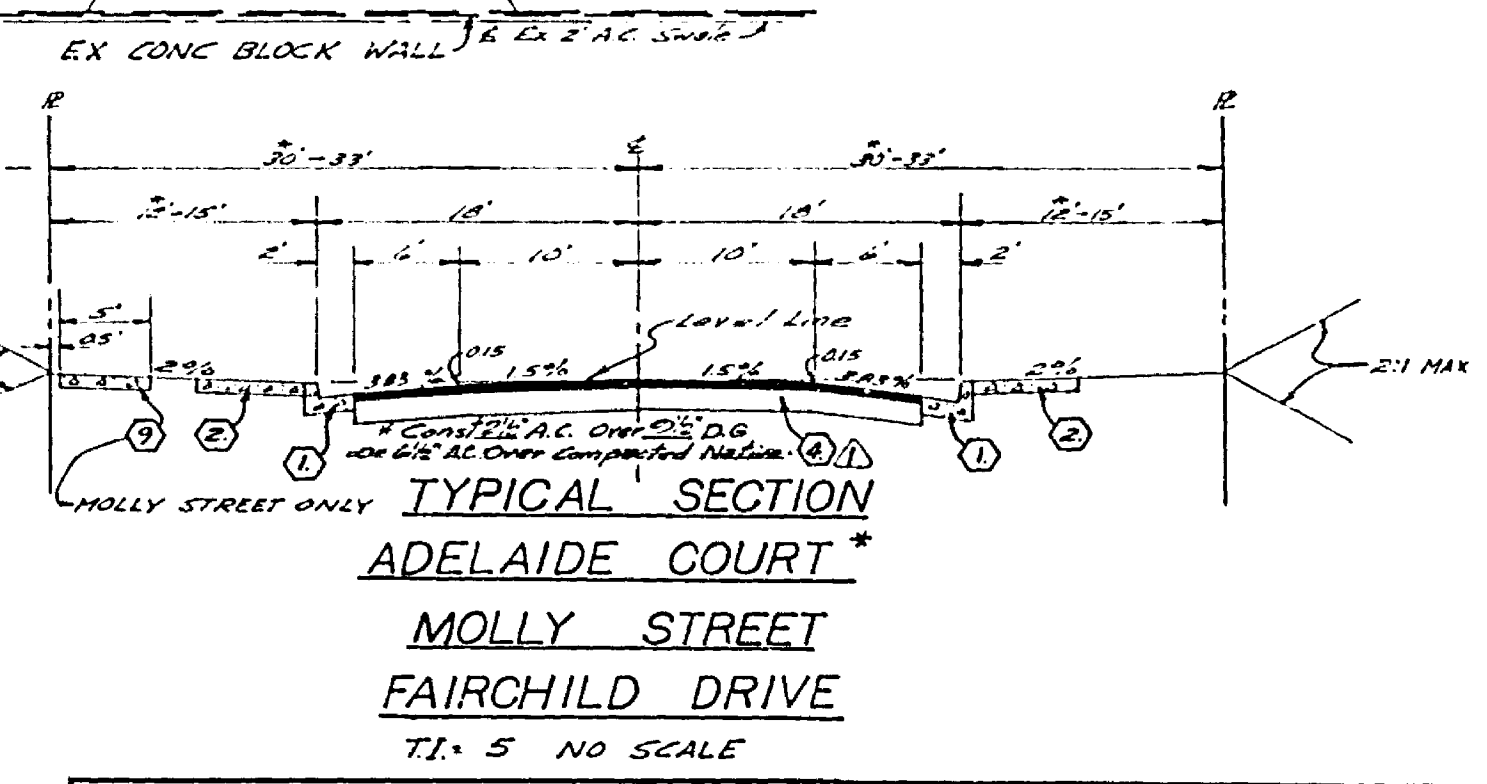
- Construction shall be in accordance with the standard specifications for Public Works Construction 1974 Edition and per City of Riverside Standard Drawings.
- All flagged elevations shall be stated in the field by the engineer.
- The subdivider shall arrange for a soil test to be made by a soils engineer after the streets have been prepared to rough grade. Soil of 35cc water and A.C. being shall be determined by the City of Riverside design standards and test procedures.
- Location of driveway approaches (Std No 302) to be determined at the time of construction as approved by the Traffic Engineer.
- Curb and Gutter and A.C. Berm to be stated at 8' offset and 25" materials.
- Traffic control signs must be in place prior to opening streets to traffic.
- It shall be the responsibility of the Contractor to clear the Right of Way in accordance with the provisions of law and to provide each utility including irrigation lines and appurtenances and at no cost to the City.
- Trim edge of existing pavement where new pavement joins to a smooth straight line. Construct match up paving as shown on plans and determine paving as directed in the field to produce a smooth section. Engineer estimates curbs to be 60' long.
- See street Lighting plans for quantity and location of required street lights.
- All overhanging tree limbs that are less than 15' above the street grade shall be trimmed back.
- The Contractor shall contact the Public Service Department (907-7251) to pick up any existing Std 180 Barricades that are being removed.
- See Landscaping and Sprinkler System Plans for parkway on Victoria.
- 3' x 3' blockouts for mail boxes required in curb sidewalk.

**CONSTRUCTION NOTES**

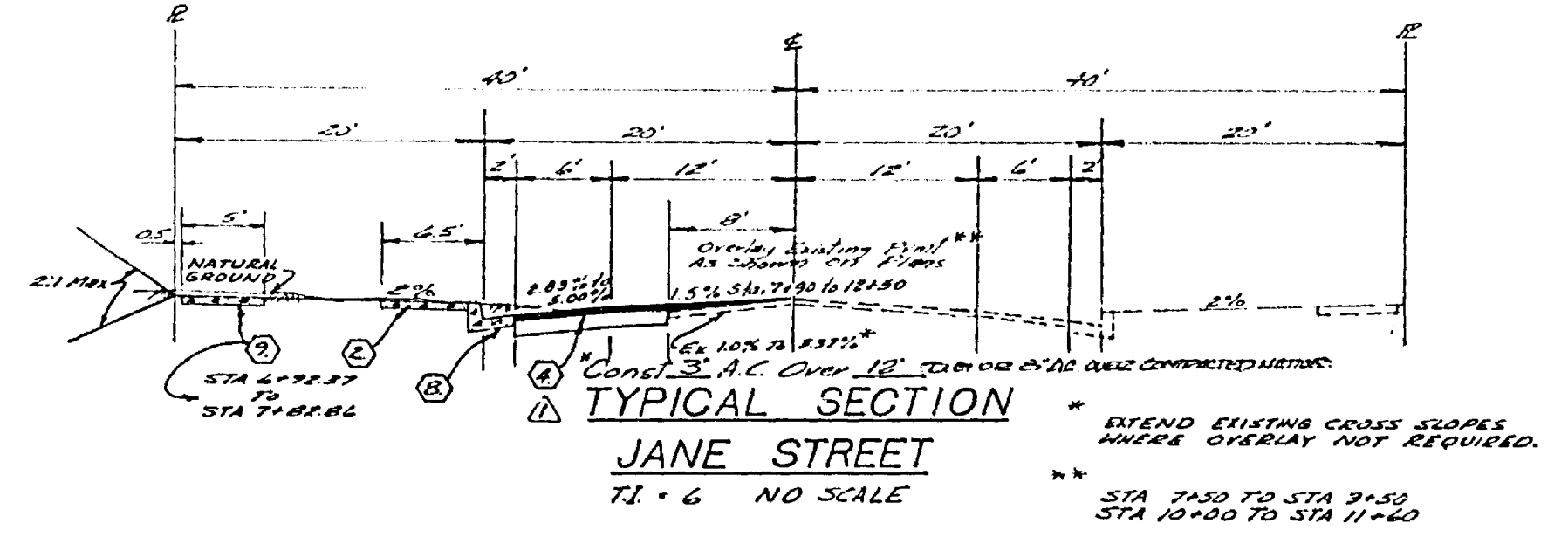
- Construct P.C.C. Curb and Gutter per Riverside City Std No 200 (8" C.F.)
- Construct P.C.C. Curb Sidewalk per Riverside City Std No 325.
- Construct P.C.C. Cross Gutter per Riverside City Std No 220.
- Construct Paving Section Per Typical Section (WIDTH AS NOTED ON PLANS)
- Construct Standard 250 A.C. Berm Type I.
- Construct Wheelchair Ramp per Riverside City Std No 304.
- Construct Concrete Block Wall Per Riverside City Std No 704. See Landscaping & Irrigation Plans for Type and/or Block wall etc.
- Construct P.C.C. Curb and Gutter per Riverside City Std No 200 (8" C.F.)
- Construct 5' P.C.C. Property Line Sidewalk Per Riverside City Std No 325



INDEX MAP  
SCALE 1"=60'



TYPICAL SECTION  
ADELAIDE COURT\*  
MOLLY STREET  
FAIRCHILD DRIVE  
TI. 5 NO SCALE

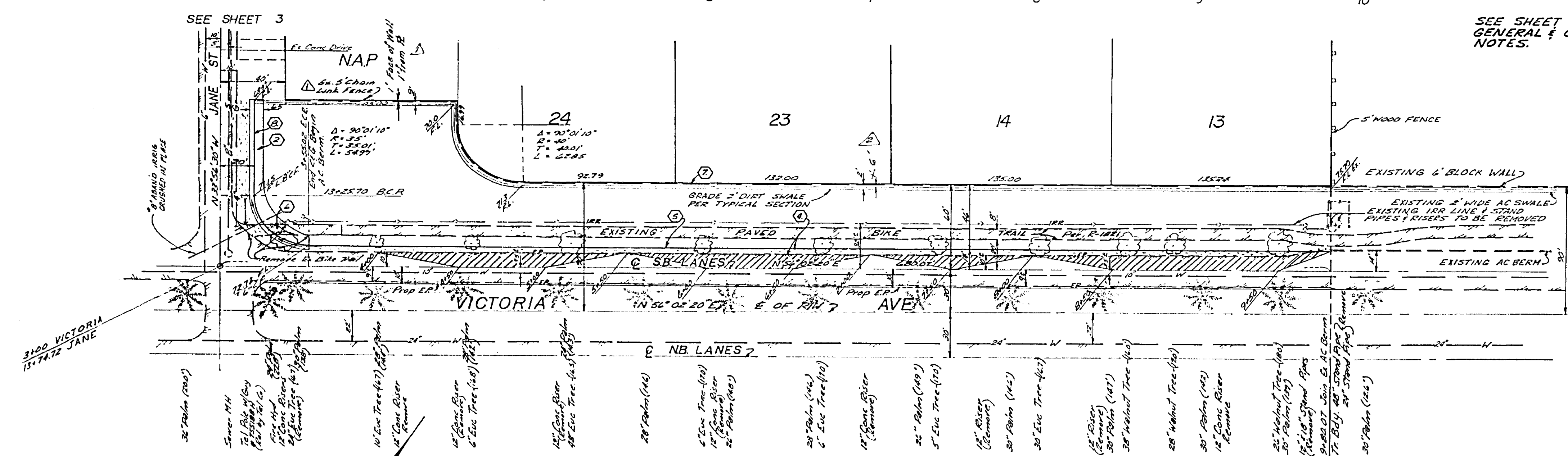
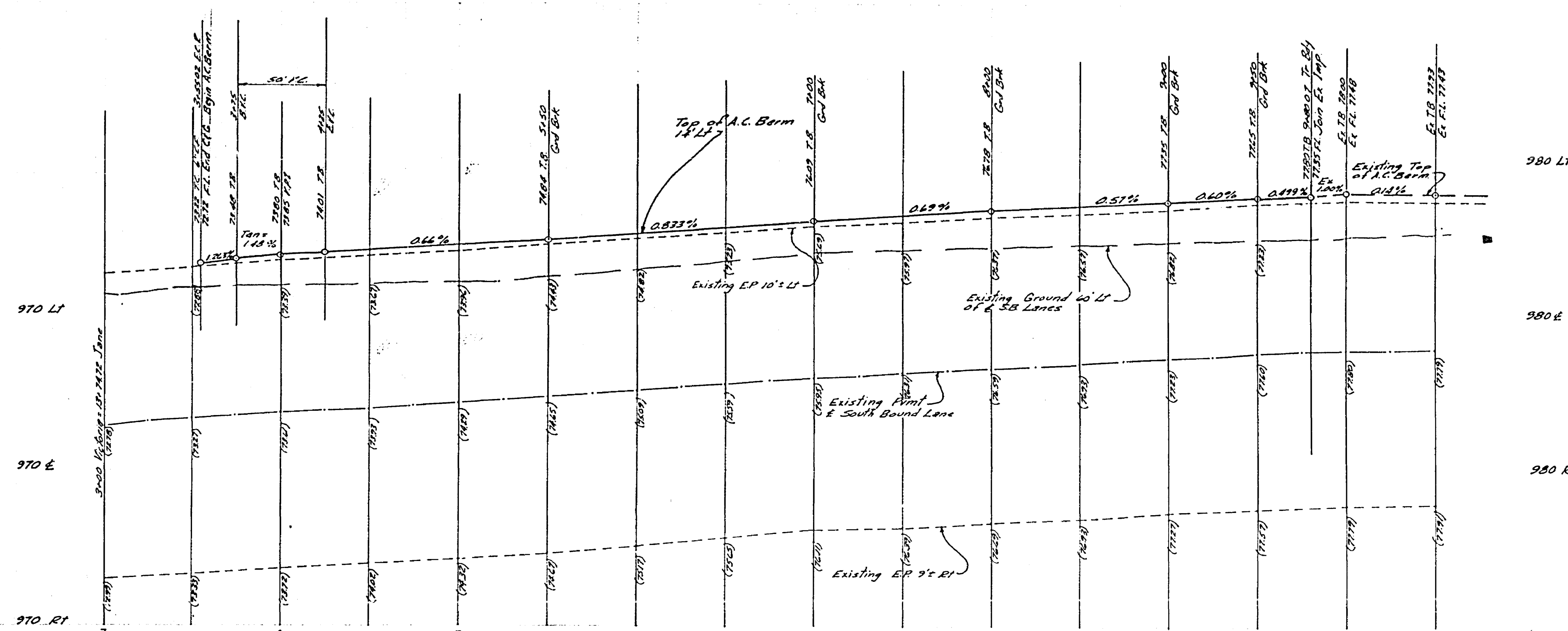


TYPICAL SECTION  
JANE STREET  
TI. 6 NO SCALE

**BENCH MARK (66-6)**

PK nail and tag in culvert headwall at westerly corner of Victoria Avenue and Anne Street. Elevation: 960.565.

ALBERT A. WEBB ASSOCIATES CIVIL ENGINEERS RIVERSIDE, CALIFORNIA		CITY OF RIVERSIDE, CALIFORNIA PUBLIC WORKS DEPARTMENT		STREET PLAN & PROFILE		ACCOUNT NO. DRAWING NUMBER
APPROVED BY: <i>[Signature]</i> DATE: 11-23-76 R.E. No. 1876		APPROVED BY: <i>[Signature]</i> DATE: 11-23-76 TRAFFIC DIVISION		TRACT NO 7264 INDEX SHEET		R-1930
DESIGNED BY: REC. DRAWN BY: LCK. CHECKED BY: [Signature]		DATE: 11-23-76		SCALE: AS SHOWN		SHEET 1 OF 5 75-302-A



SEE SHEET NO. 1 FOR GENERAL & CONSTRUCTION NOTES.

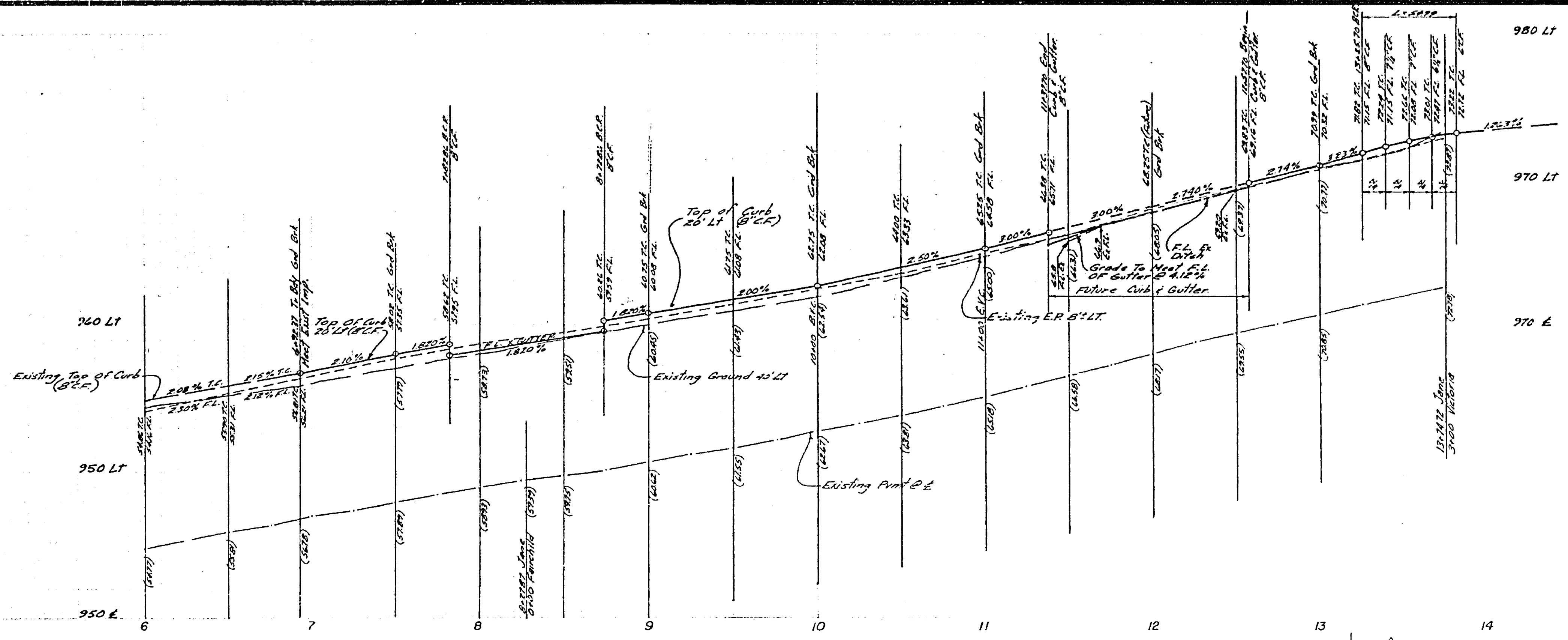
SEE SHEET 3  
 3100 VICTORIA  
 157472 JANE  
 NAP  
 112570 B.C.R.  
 24  
 23  
 14  
 13

NOTE:  
 ALL TREES TO REMAIN UNLESS OTHERWISE NOTED.

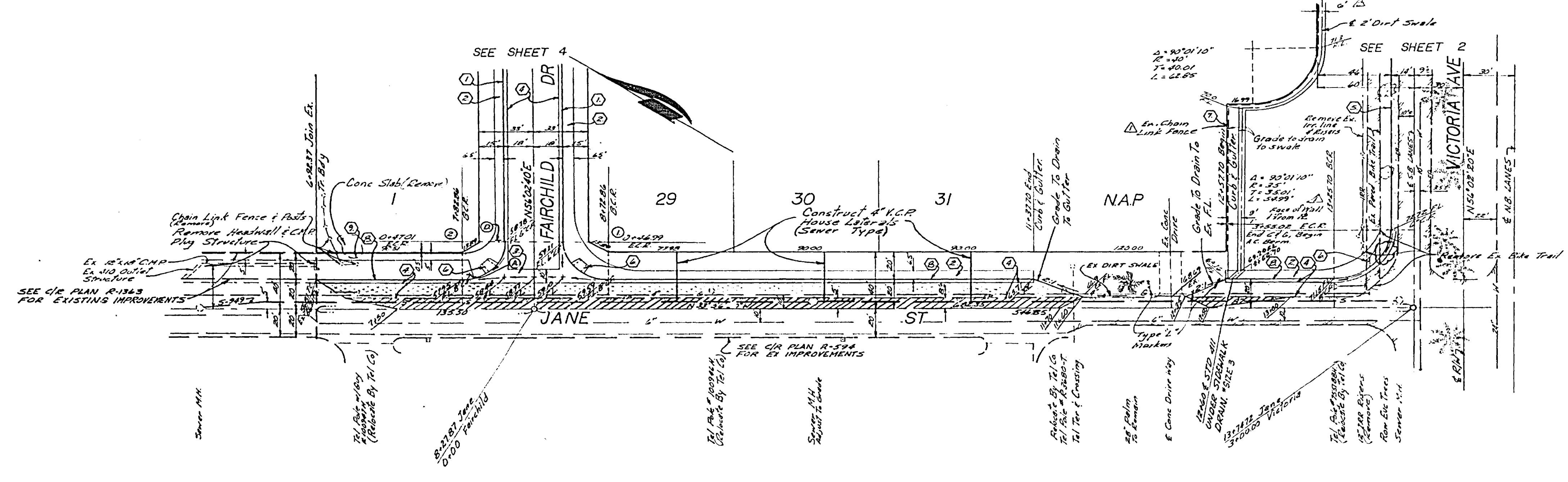
[Symbol] Denotes New Print  
 [Symbol] Denotes Overlay Ex. Pavement  
 (147) Denotes Distance from E. S.B. Lane to Face of Existing Trees.

BENCH MARK (66-G)  
 PK nail and tag in culvert headwall at westerly corner of Victoria Avenue and Anne Street.  
 Elevation: 960.565

ALBERT A. WEBB ASSOCIATES CIVIL ENGINEERS RIVERSIDE, CALIFORNIA		CITY OF RIVERSIDE, CALIFORNIA PUBLIC WORKS DEPARTMENT		STREET PLAN & PROFILE TRACT NO 7264 VICTORIA AVE		ACCOUNT NO. DRAWING NUMBER R-1930	
APPROVED BY: <i>[Signature]</i> DATE: 7/21/76 R.E. No. 20226		APPROVED BY: <i>[Signature]</i> DATE: 7/23/76 DIRECTOR OF PUBLIC WORKS		DATE: 7-23-76		SHEET 2 OF 5	
W.O. 75-208 FOR Charles Sutherland 7.8.10.38		DESIGNED BY: <i>[Signature]</i> DRAWN BY: <i>[Signature]</i> CHECKED BY: <i>[Signature]</i>		SCALE: HORIZ 1"=40' VERT 1"=40'		75-302-A	



(LSS) Denotes Existing  
Pmt Elevations.



SEE SHEET NO 1 FOR  
GENERAL & CONSTRUCTION  
NOTES.

NO	Δ	R	T	L
1	69° 59' 10"	27'	112.29'	42.40'
2	10° 00' 35"	27'	270.1'	42.42'

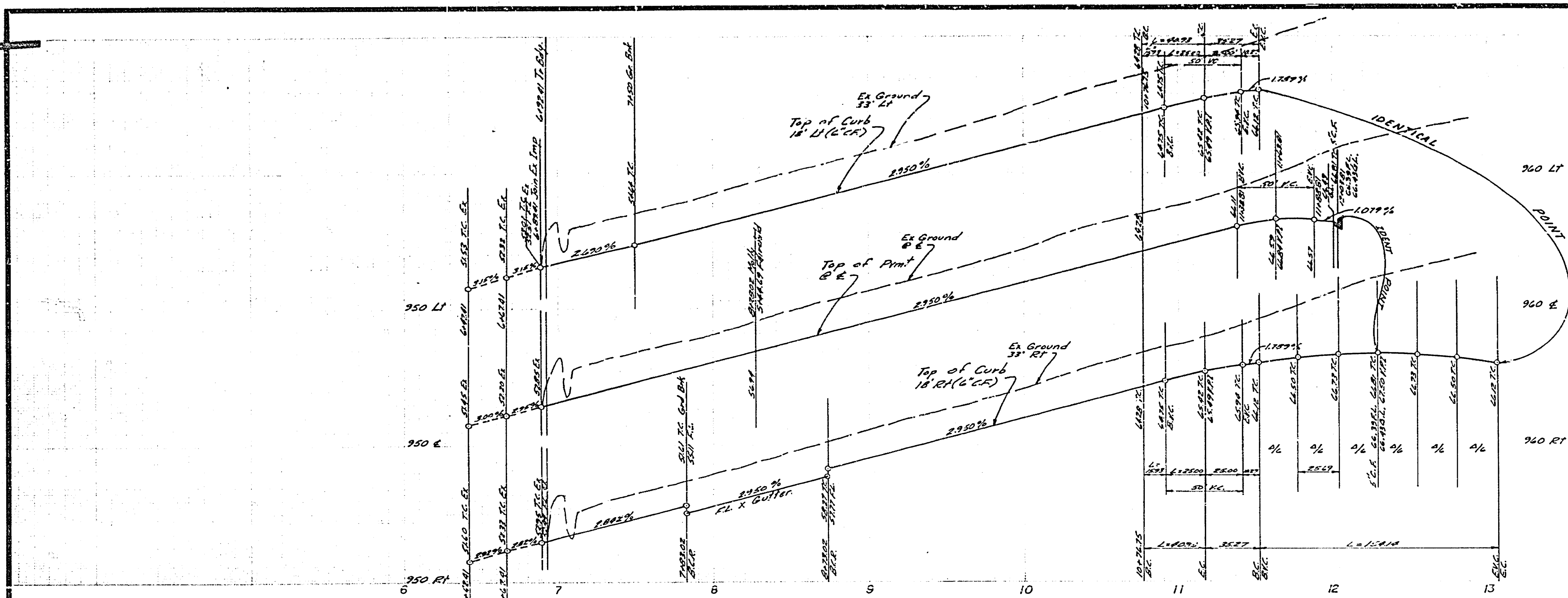
⋯ Denotes New Pmt  
▨ Denotes Overlay  
Existing Pmt

BENCH MARK (G6-G)  
PK nail end peg in culvert headwall at westerly  
corner of Victoria Avenue and Anna Street.  
Elevation 260.5.5

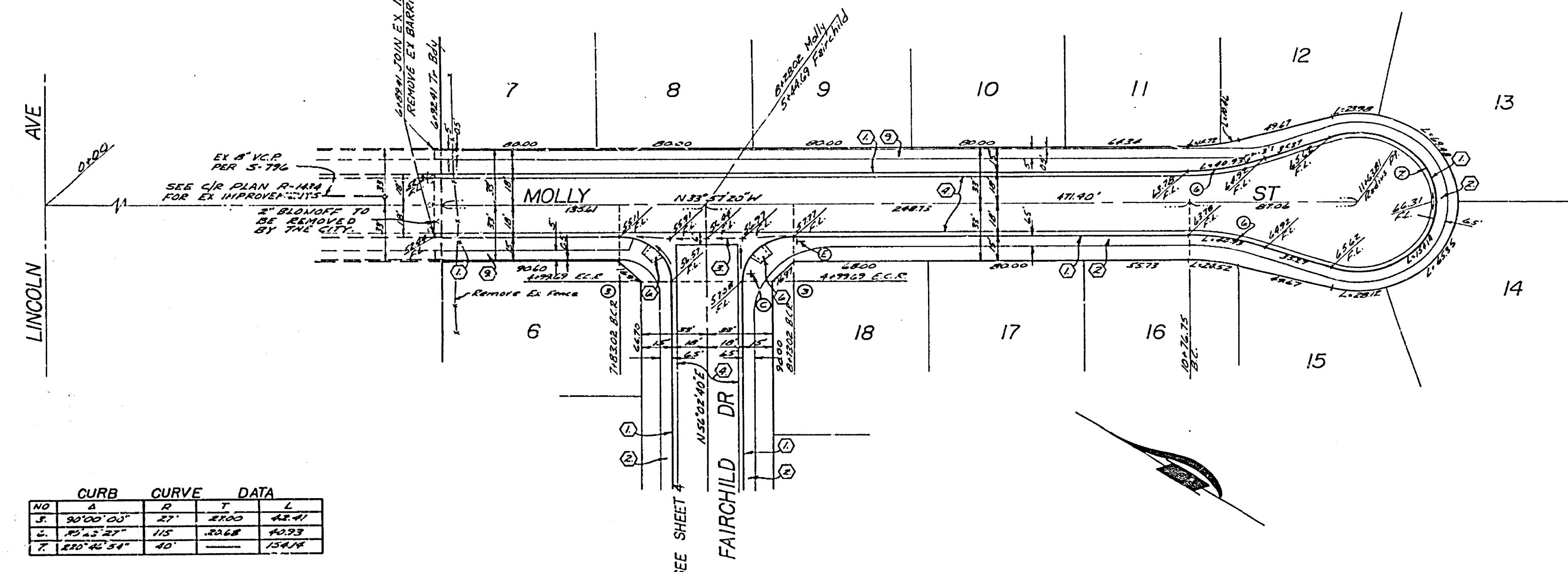
ALBERT A. WEBB ASSOCIATES CIVIL ENGINEERS RIVERSIDE, CALIFORNIA		CITY OF RIVERSIDE, CALIFORNIA PUBLIC WORKS DEPARTMENT		STREET PLAN & PROFILE TRACT NO 7264 JANE ST		ACCOUNT NO. DRAWING NUMBER R-1930
APPROVED BY: <i>[Signature]</i> DATE: 11/25/76 R.E. No. 2872		APPROVED BY: <i>[Signature]</i> DATE: 11-25-76 CHIEF PUBLIC WORKS ENGINEER		APPROVED BY: <i>[Signature]</i> DATE: 11-25-76 DIRECTOR OF PUBLIC WORKS		SHEET 3 OF 5 75-302-A
IRRIGATION LINE APPROVAL <i>[Signature]</i> DATE: 11/25/76		DESIGNED BY: <i>[Signature]</i> DRAWN BY: <i>[Signature]</i> CHECKED BY: <i>[Signature]</i>		SCALE: HORIZ 1"=40' VERT 1"=4' *AS BUILT 12.27.77		







SEE SHEET NO 1 FOR GENERAL & CONSTRUCTION NOTES.



CURB CURVE DATA				
NO	A	B	T	L
1	90°00'00"	27'	37.00	42.41
2	90°00'00"	115'	50.68	102.93
3	270°40'54"	40'		134.14

**BENCH MARK (66-6)**  
 PK nail and tag in culvert headwall at westerly corner of Victoria Avenue and Anna Street.  
 Elevation: 960.565

<b>ALBERT A. WEBB ASSOCIATES</b> CIVIL ENGINEERS RIVERSIDE, CALIFORNIA APPROVED BY: <i>[Signature]</i> DATE: 12/23/76 R.E. No. 2876 <small>W.O. 75-302 FOR Charles Sutherland F.B. 1078</small>		<b>CITY OF RIVERSIDE, CALIFORNIA</b> PUBLIC WORKS DEPARTMENT APPROVED BY: <i>[Signature]</i> DATE: 12/23/76 TRAFFIC DIVISION CHIEF PUBLIC WORKS <small>*26 BUILT 12-77 HBT</small>		<b>STREET PLAN &amp; PROFILE</b> TRACT NO 7264 MOLLY ST SCALE: Horiz 1"=40' Vert 1"=4' ACCOUNT No. _____ DRAWING NUMBER <b>R-1930</b> SHEET <b>5</b> OF <b>5</b> 75-302-A	
--	--	---	--	---	--