

**PROFILE**  
 HORIZ. SCALE 1" = 20'  
 VERT. SCALE 1" = 2'

**PLAN**  
 scale 1" = 20'

Denotes overlay @ 2%

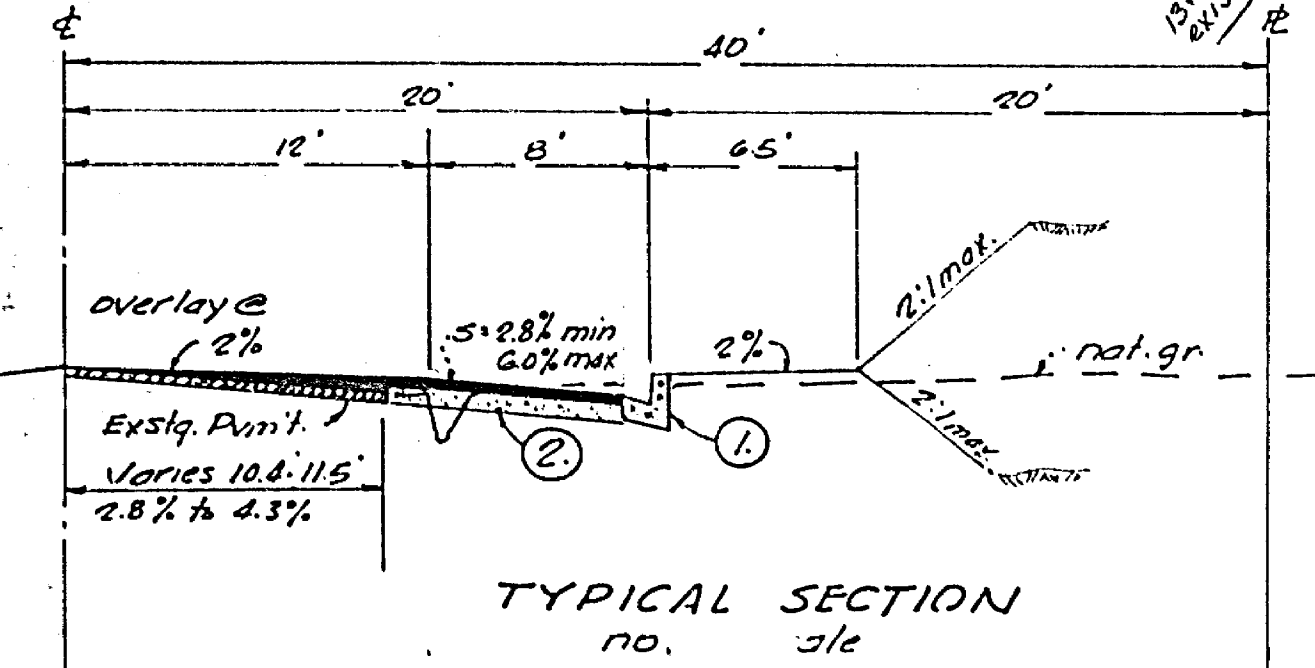
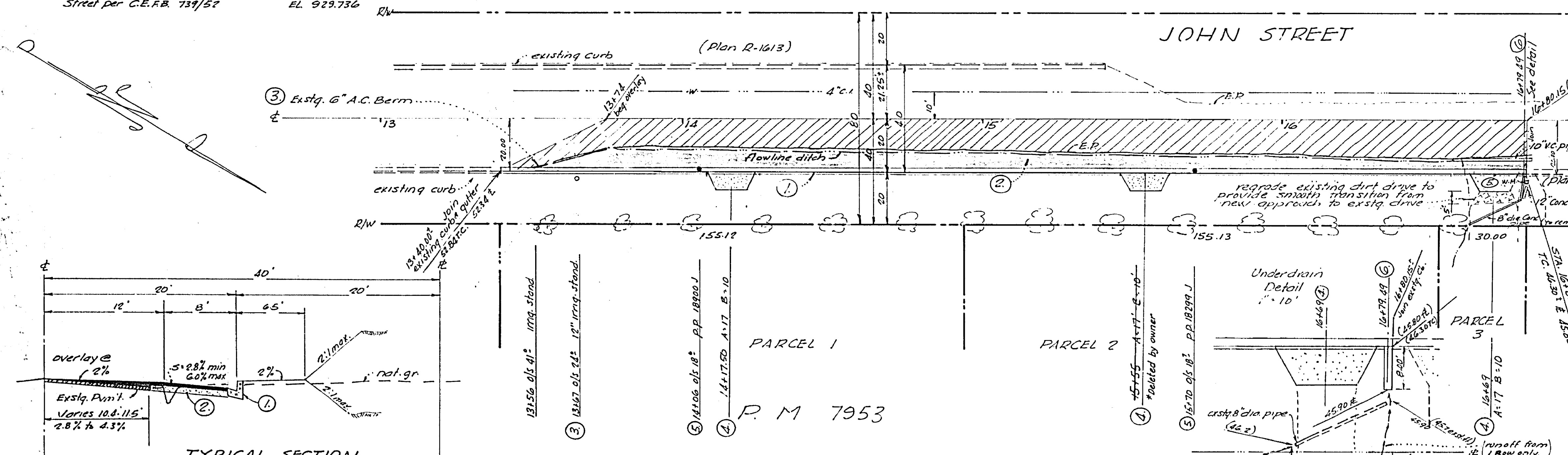
**BENCHMARK**  
 T.B.M. - This project only  
 Spk. in pole 189005, at station 14+00 on easterly side of John Street. EL. 952.32  
 BM-CE-4F RR. nail & tag in conc. block retaining wall @ southerly cor. of Dufferin Ave. and McAllister Street per C.E.R.B. 739/52 EL. 929.736

**GENERAL NOTES**

- Construction shall be in accordance with the Standard Specifications for Public Works Construction 1976 Edition and per City of Riverside Standard Drawings.
- The Subdivider shall arrange for a soil test to be made by a Soils Engineer after the street has been prepared to rough grade. Depth of base material and A.C. paving shall be determined by the City of Riverside design standards and test procedures.
- Curb and gutter to be staked on 3' offset at 25' intervals.
- Trim edge of paving where new pavement joins to a smooth straight line. Construct match-up paving as shown on the plan and overlay paving as directed in the field to produce a smooth surface. Engineer estimates overlay to be 23 Tons. It shall be the responsibility of the contractor to clear the right-of-way in accordance with the provisions of Law as it affects each utility including irrigation lines and appurtenances and at no cost to the City.
- All flagged elevations shall be staked in the field by the private engineer.

**CONSTRUCTION NOTES**

- Construct standard 200 curb and gutter; 6" CF
- Construct 2" A.C. paving over 7" D.G. or 6" A.C. over compact native
- Remove item shown
- Construct driveway approach per Standard 302; exact location to be determined in the field. A' & B' noted on plan. to be relocated by others
- Construct under sidewalk drain per Standard 411; Size 3" rectangular pipe.



**TYPICAL SECTION**  
 no. 1/sk

T.I. = 5

*Chad D. ...*  
 owner of Irrig. Stand @ 13+56

<b>ALBERT A. WEBB ASSOCIATES</b> CIVIL ENGINEERS RIVERSIDE, CALIFORNIA PREPARED BY: <i>Robert ...</i> DATE: 8/10/76 R.E. No. 10478 W.D. 76-162 FOR: C.R. Hamilton, Jr. F.S.		<b>CITY OF RIVERSIDE, CALIFORNIA</b> PUBLIC WORKS DEPARTMENT APPROVED BY: <i>[Signature]</i> DATE: 8/11/76 PRINCIPAL ENGINEER TRAFFIC DIVISION CHIEF PUBLIC WORKS ENGINEER DESIGNED BY: <i>ELT</i> DRAWN BY: <i>ELT</i> CHECKED BY: <i>ELM</i>		<b>STREET PLAN AND PROFILE</b> <b>JOHN STREET</b> 5'ly. of Dufferin Easterly side - Sta. 13+10 to 16+10.15 <b>PM 7953</b> SCALE: HORIZ. 1" = 20' VERT. 1" = 2' ACCOUNT NO. DRAWING NUMBER <b>R-1941</b> SHEET 1 OF 1	
--	--	--	--	--	--