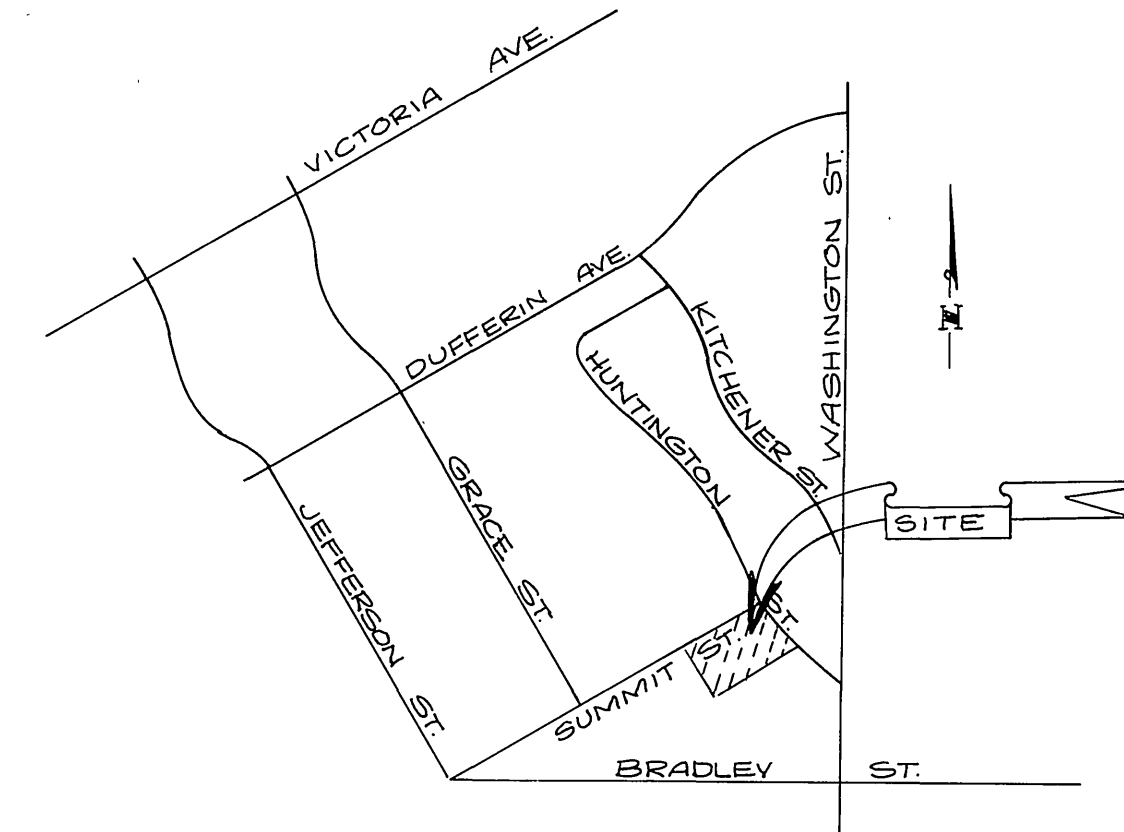


**GENERAL NOTES**

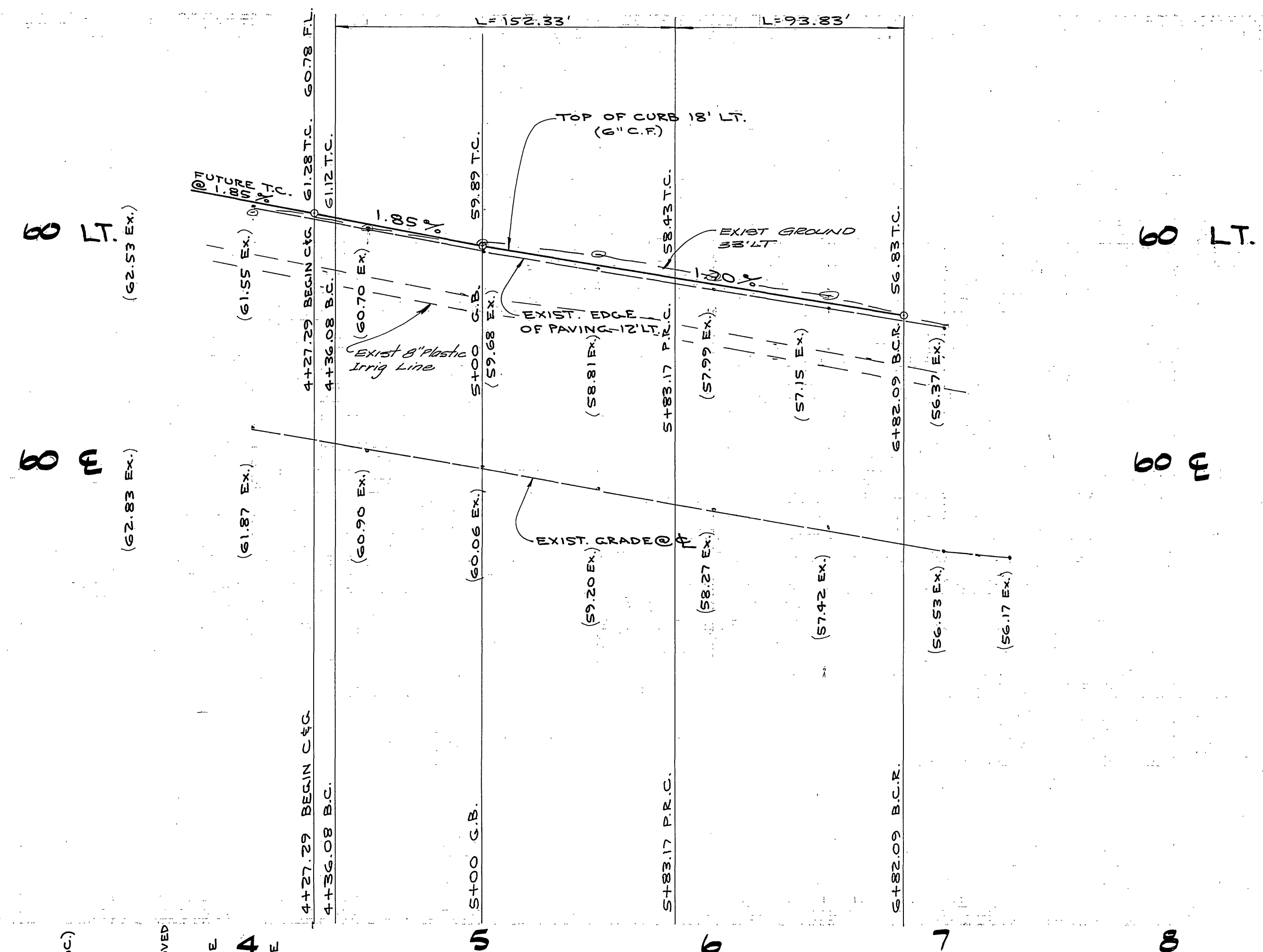
- The private engineer signing these plans is responsible for the accuracy and acceptability of the work hereon. In the event of discrepancies arising during construction, the private engineer shall be responsible for determining an acceptable solution and revising the plans for approval by the City.
- It shall be the responsibility of the contractor to clear the right of way in accordance with the provisions of law as it affects each utility including irrigation lines and appurtenances and at no cost to the City.
- Construction shall be in accordance with City of Riverside, Department of Public Works, Standard Drawings, and the Standard Specifications for Public Works Construction, 1976 Edition.
- Trim edge of existing pavement where new pavement joins to smooth, straight line. Construct patch up paving as shown on plan and overlay paving as directed in the field to produce a smooth section. Engineer estimates overlay to be  $\frac{1}{2}$  inch.
- Construct driveway approaches per std. dwg. 302. Exact size and location to be determined at the time of construction as approved by the Traffic Engineer.
- Curb and gutter shall be staked with 25' offsets at 25' intervals.
- All traffic signs shall be installed prior to opening streets to traffic.
- The Subdivider shall arrange for a soil test to be made by a soils engineer after the streets have been prepared to rough grade. Depth of base material and A.C. paving shall be determined by the City of Riverside design standards and test procedures.
- ALL FLAGGED ELEVATIONS SHALL BE STAKED IN THE FIELD BY THE PRIVATE ENGINEER.
- Contact the Park and Recreation Dept., Tree Division, at 787-7618 24 hours prior to relocation of trees.
- All overhanging tree limbs (W/y of Huntington & 2/4 of Summit) that are less than 15' above the street grade shall be trimmed back.



**LOCATION MAP**  
NO SCALE

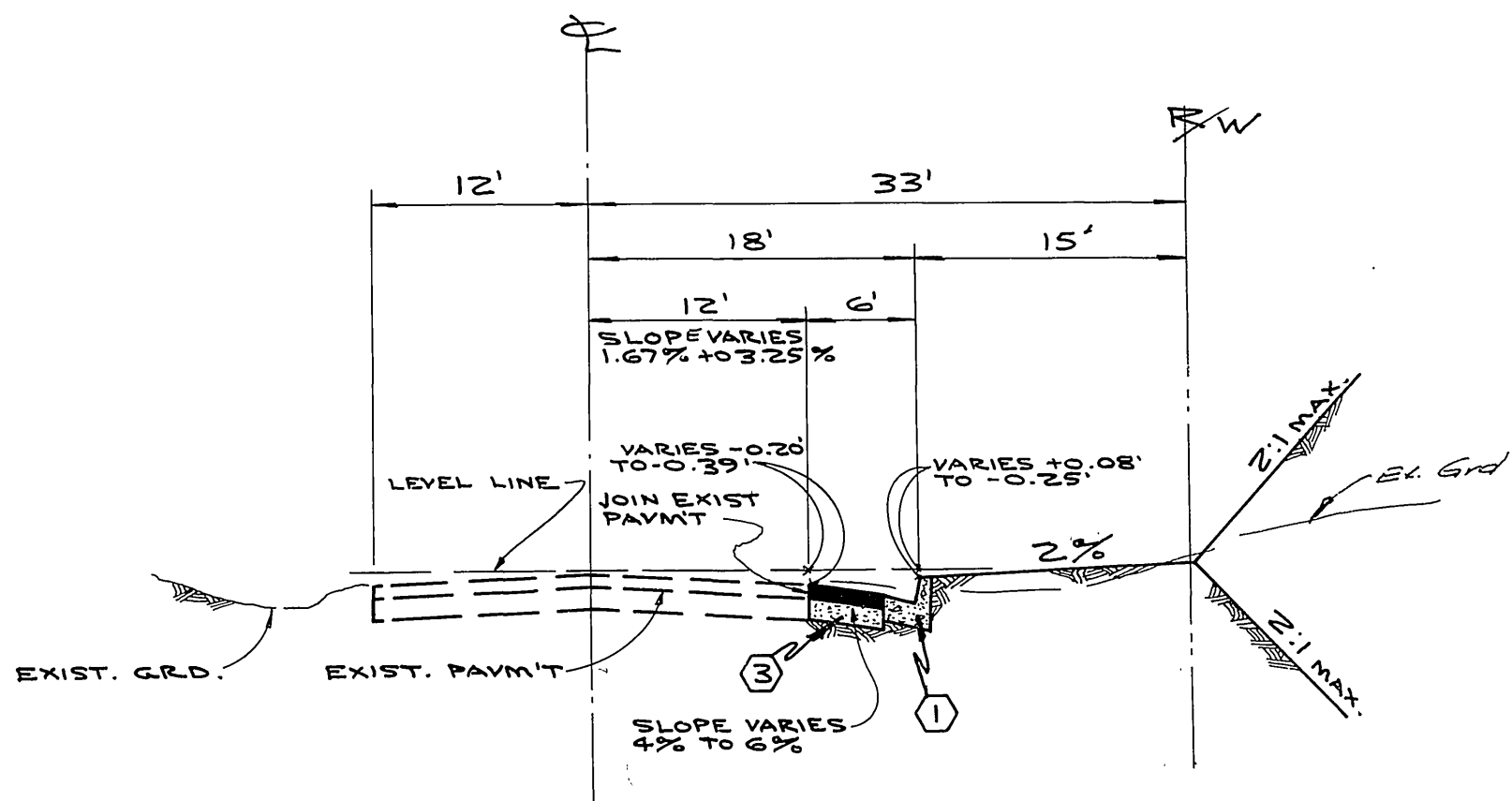
**CONSTRUCTION NOTES**

- Construct P.C.C. Curb and gutter per Standard No. 200 (6" C.F.).
- CONST. 2"x4" REDWOOD HEADER.
- CONST. 2 1/2" A.C. OVER 5" D.G.

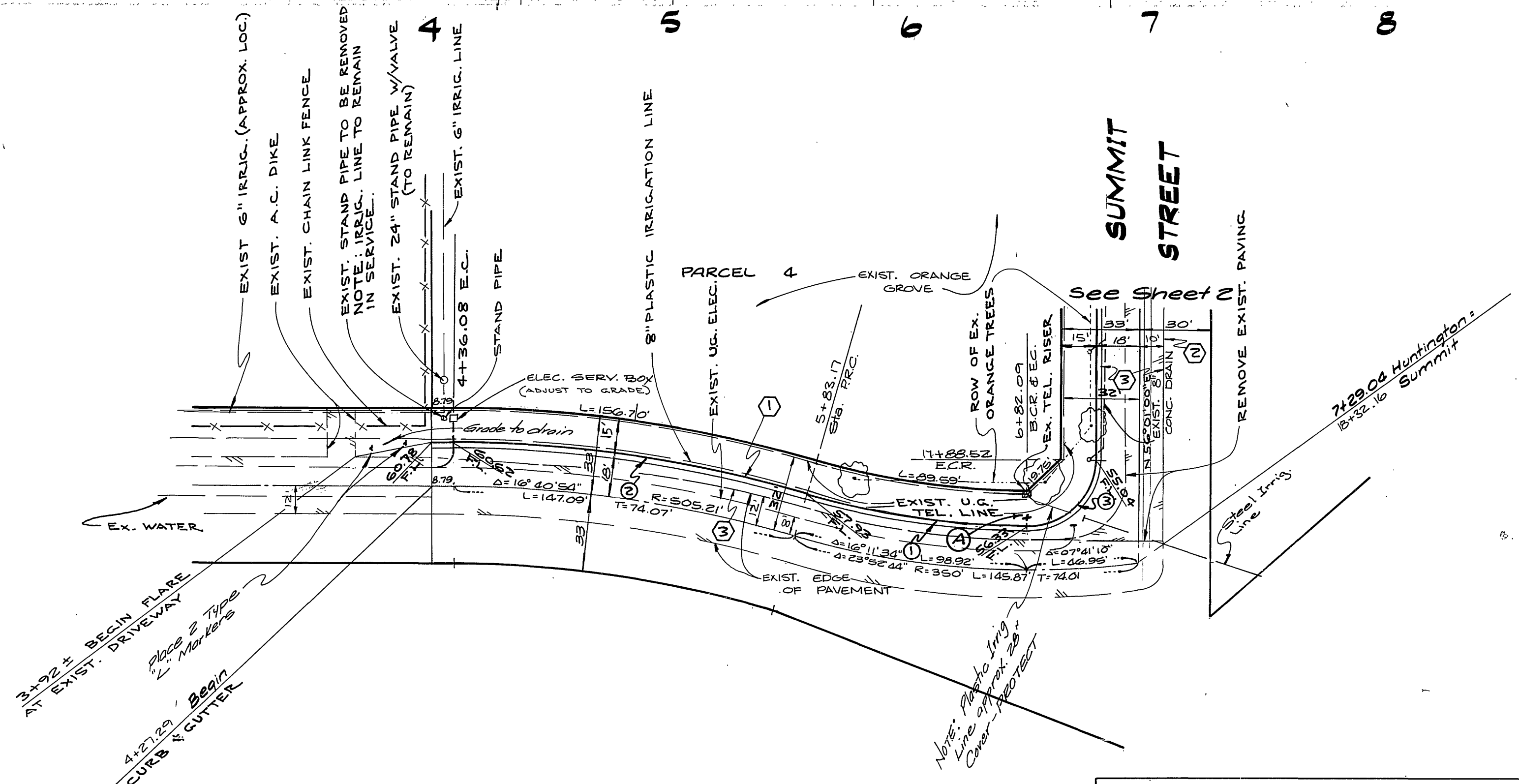


**STREET & TRAFFIC CONTROL SIGN SCHEDULE**

(A)	HUNTINGTON ST	1700
	SUMMIT ST	7400



**TYPICAL SECTION**  
HUNTINGTON STREET  
NO SCALE  
1"=5'



**HUNTINGTON STREET PLAN**

**CURVE DATA**

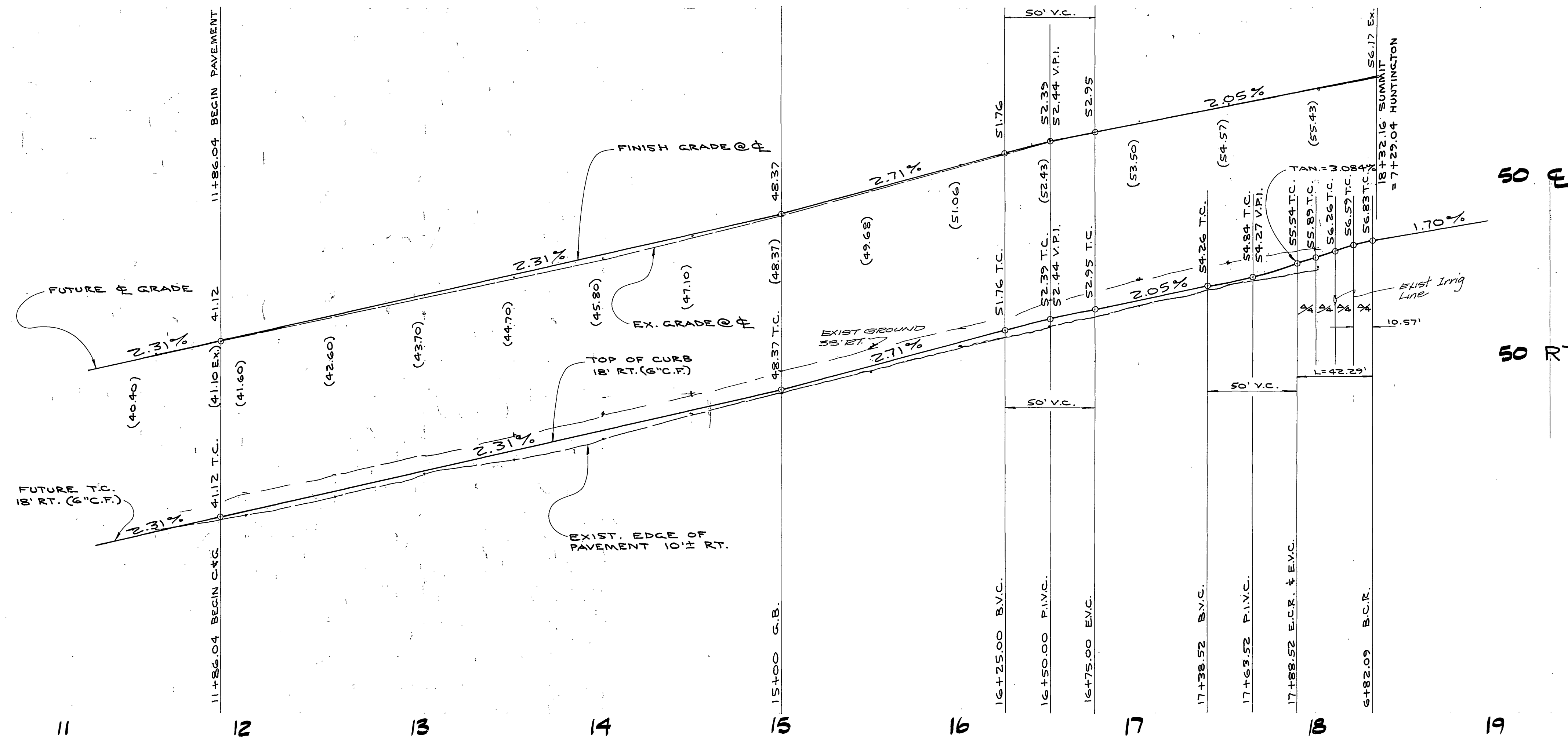
No.	Δ	R	L	T
①	16°11'34"	332.00'	93.83'	47.23'
②	16°40'54"	523.21'	152.33'	76.71'
③	89°44'41"	27.00'	42.29'	26.88'

**BENCH MARK:**  
E.G. Top of yellow painted bolt at base of vent pipe set on south side of pump station slab on N.W. corner of Washington and Bradley St. 1083 278

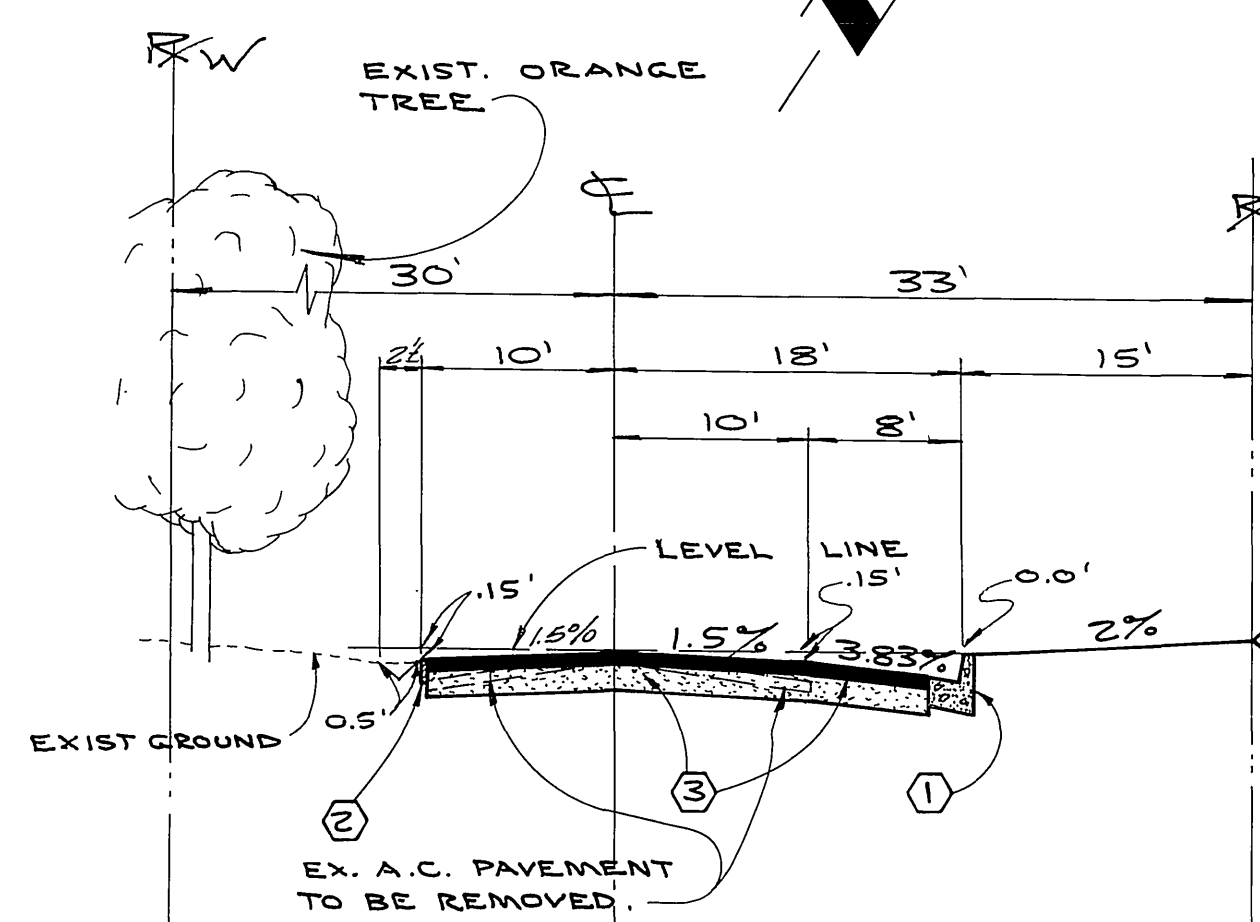
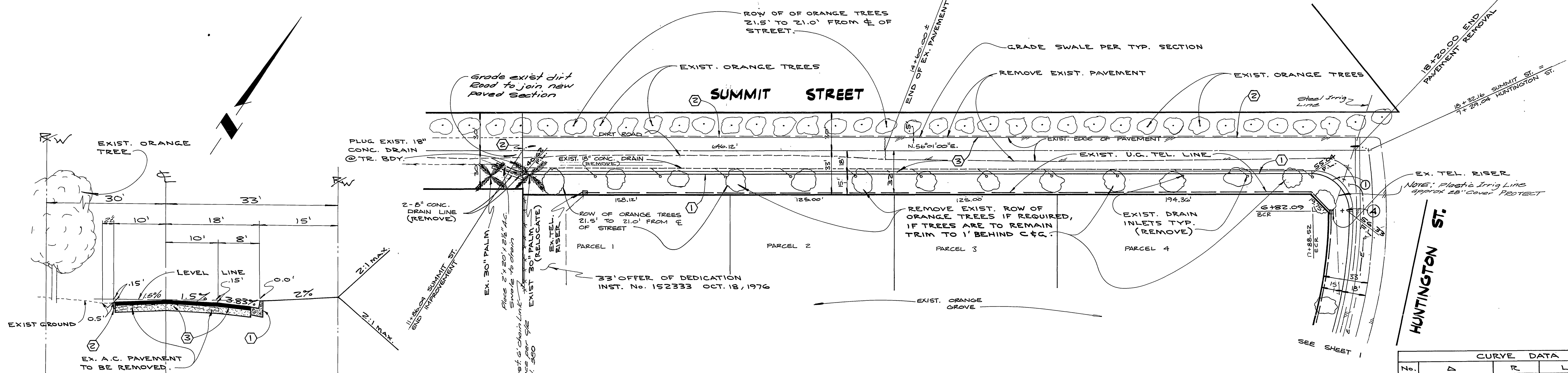
**-CAUTION-**  
PACIFIC TELEPHONE CABLES UNDERGROUND  
DO NOT EXCAVATE  
Without Hours  
Pacific Telephone  
Riverside, California  
787-7618

<b>ALBERT A. WEBB ASSOCIATES</b> CIVIL ENGINEERS RIVERSIDE, CALIFORNIA APPROVED BY: <i>Albert A. Webb</i> DATE 4/5/78 R.E. No. 3876	Pacific Telephone Co. James C. McManus 4-10-78 date	City of Riverside Overhead & Underground Plans Checked and Found to Comply with City of Riverside Requirements. BY: <i>Max Sloan</i> RCE 10354 3-22-79 BERRYMAN & STEPHENSON INC. DATE	INDEXED R.M.F. GAGE CANAL APPROVED BY: <i>Max Sloan</i> DATE 12/14/78
	CITY OF RIVERSIDE, CALIFORNIA PUBLIC WORKS DEPARTMENT APPROVED BY: <i>Max Sloan</i> DATE 4/17/79 PRINCIPAL ENGINEER PARK DEPARTMENT TRAFFIC DIVISION CHIEF PUB. WKS. ENGR.		STREET PLAN AND PROFILE PARCEL MAP No. 9710 HUNTINGTON STREET ACCOUNT No. DRAWING NUMBER R-2170 SHEET 1 OF 2 77-71-A

40 E  
40 RT.



NOTE: SEE SHEET 1 FOR GENERAL & CONSTRUCTION NOTES.



TYPICAL SECTION  
SUMMIT STREET  
NO SCALE  
TI-5

CURVE DATA			
No.	Δ	R	T
①	89°44'41"	27.00'	26.88'

**BENCH MARK**  
E6-C TOP OF YELLOW PAINTED BOLT AT BASE OF VENT PIPE SET ON SOUTH SIDE OF PUMP STATION SLAB ON N.W. CORNER OF WASHINGTON AND BRADLEY. ELEV. 1083.278

Pacific Telephone Co.  
James P. ... 4-10-79  
City of Riverside  
Overhead & Underground  
Electric  
By Max Sloan RCE 10354 3-22-79  
BERRYMAN & STEPHENSON INC. DATE

ALBERT & WOOD ASSOCIATES  
CIVIL ENGINEERS  
PINEHURST, CALIFORNIA  
APPROVED BY Paul N. ... 4/5/78

CITY OF RIVERSIDE, CALIFORNIA  
DEPARTMENT OF PUBLIC WORKS  
APPROVED BY Paul N. ... 4/5/78

GAGE CANAL  
APPROVED BY [Signature] 12/12/78  
DATE  
STREET PLAN & PROFILE  
PARCEL MAP NO. 9710  
SUMMIT STREET  
SHEET 2 OF 2  
77-71 A

CAUTION  
PACIFIC TELEPHONE  
CABLES UNDERGROUND  
EXPOSED TO DAMAGE  
BY ANY WORK  
BEING DONE  
IN THE AREA  
CALL 777-7100  
FOR SERVICE