

807

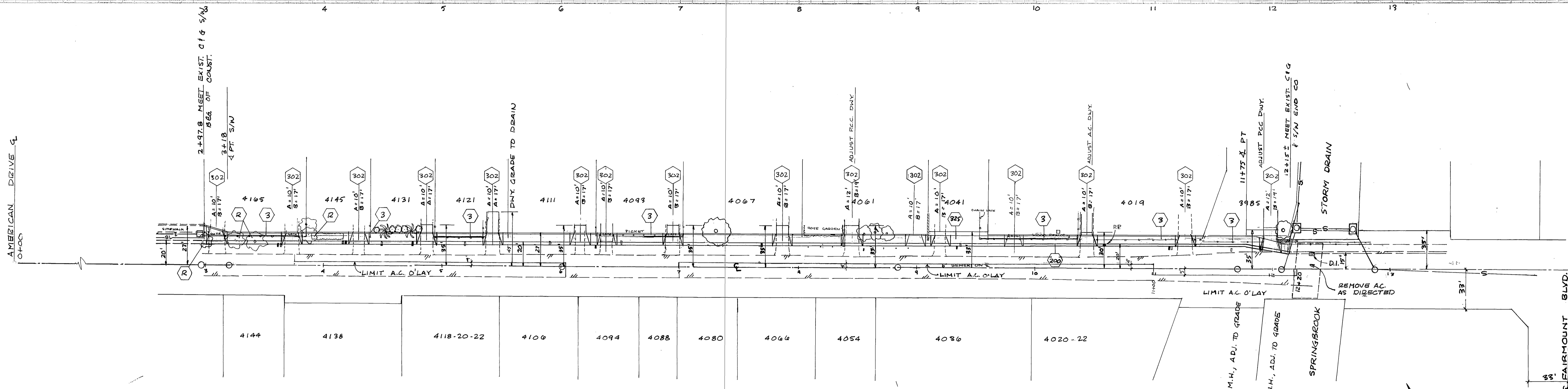
807

07

06

05

SCALE - V. 1" = 2'
H. 1" = 40'



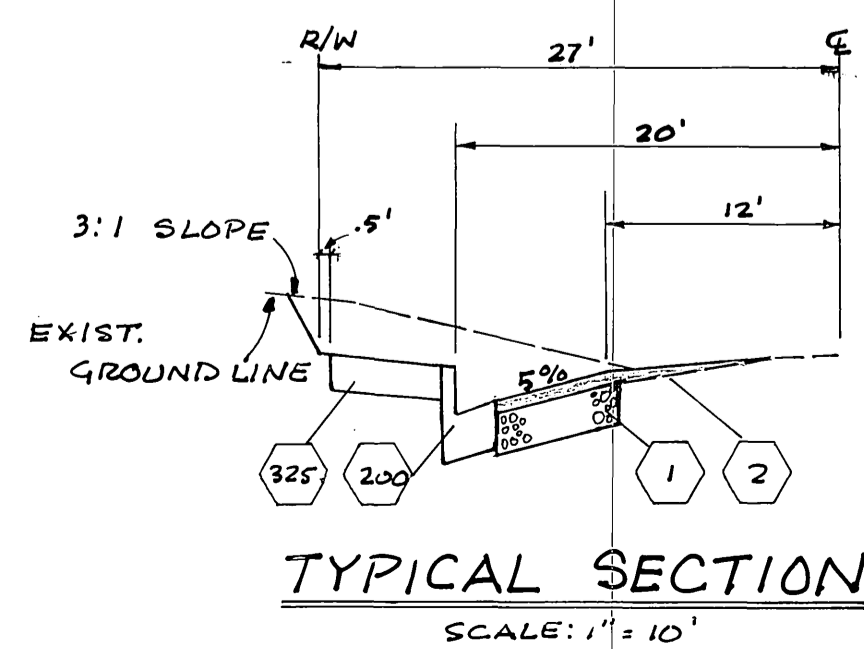
CONSTRUCTION LEGEND

- 1 CONST. 3" A.C. PAVEMENT OVER 4" D.B. BASE
- 2 CONST. VARIABLE THICKNESS A.C. OVERLAY, THE ENTIRE SHEET BETWEEN STA. 2+98 AND 12+20 TO RECEIVE A SEAL COAT.
- 3 CONTRACTOR TO RELOCATE FENCE TO PL
- R REMOVE ENTIRE TREE
- 200 CONST. CURB & GUTTER PER STD. DWG. NO. 200
- 302 CONST. DRIVEWAY APPROACH PER STD. DWG. NO. 302
- 325 CONST. SIDEWALK PER STD. DWG. NO. 325

CONSTRUCTION NOTES

1. CONSTRUCTION SHALL BE IN ACCORDANCE WITH STANDARD SPECIFICATIONS FOR PUBLIC WORKS CONST. AND CITY OF RIVERSIDE STANDARD DRAWINGS.

STRONG STREET



TYPICAL SECTION
SCALE: 1" = 10'

CITY OF RIVERSIDE PUBLIC WORKS DEPARTMENT		STRONG STREET WIDENING N'LY SIDE		ACCOUNT NO. 30-576-304 R-2238
APPROVED BY PRINCIPAL ENGINEER PARK DEPARTMENT TRAFFIC DIVISION CHIEF P. W. ENGINEER	APPROVED BY PUBLIC WORKS DIRECTOR	BETWEEN AMERICAN DRIVE AND SPRINGBROOK CHANNEL		SHEET 1 OF 1
DESIGNED BY: <i>[Signature]</i> DRAWN BY: <i>[Signature]</i> CHECKED BY:	DATE: 8/30/80	HORIZ. SCALE: 1" = 40' VERT. SCALE: 1" =		FILE NO.

