

**CONCRETE RETAINING WALL**  
**DETAIL**  
 NO SCALE  
 FROM STA. 10+35 TO 10+95

**NOTE:**  
 THE CONTRACTOR SHALL GIVE THE WATER DEPARTMENT FIVE (5) WORKING DAYS NOTICE, IN WRITING, PRIOR TO START OF CONSTRUCTION AND TO ALLOW THE CITY TEN (10) WORKING DAYS FOR COMPLETION OF WORK.

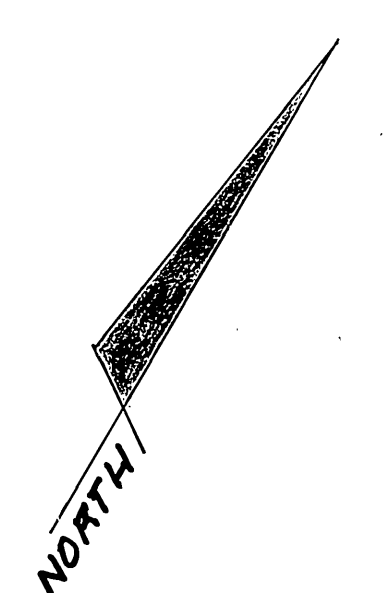
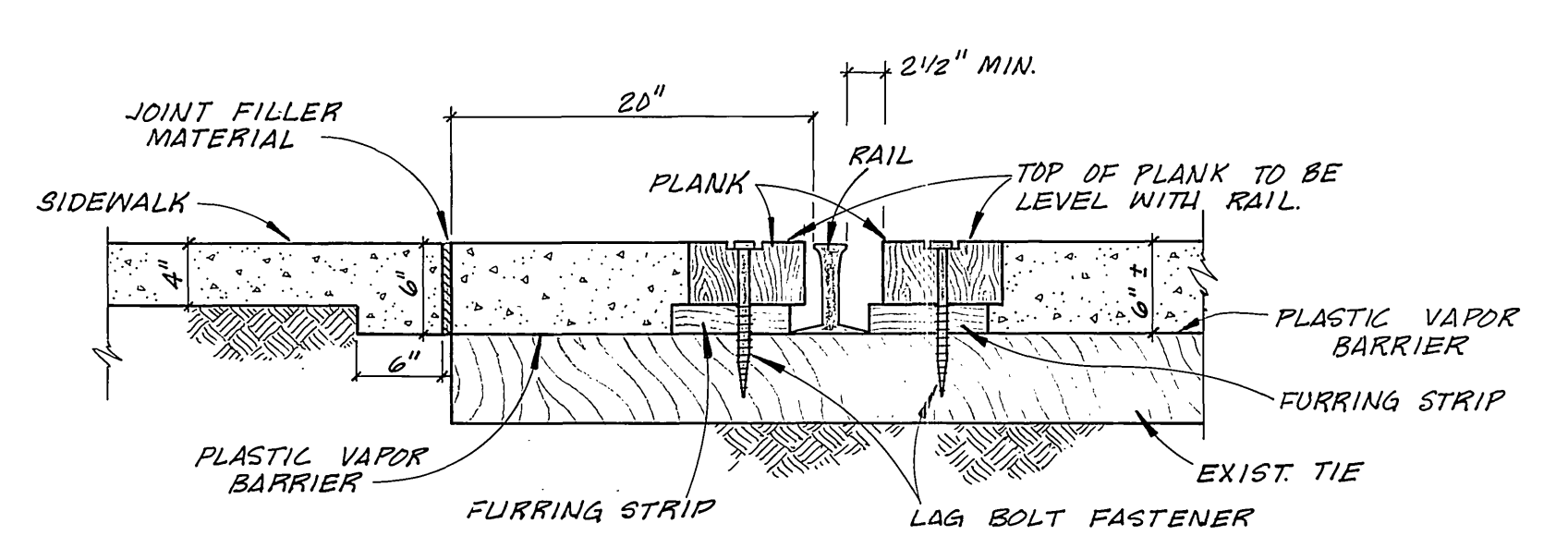
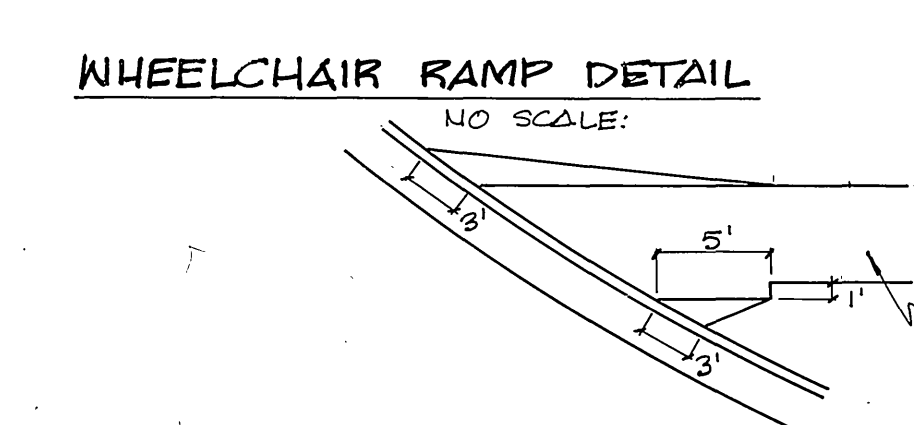
**CONSTRUCTION NOTES:**

- 1 RELOCATE FENCE (BY OWNER).
- 2 REMOVE EXIST. PAVING & PLACE CLEAN FILL DIET TO NEW GRADE.
- 3 CONTRACTOR SHALL REMOVE THAT PORTION OF WALL WHICH IS IN THE RIGHT OF WAY.
- 4 CONTRACTOR SHALL REMOVE AND REPLACE SIDEWALK PER STD. DWG. NO. 325.
- 5 CONSTRUCT MATCH-UP CONCRETE PAVING. FOR ANY ADJUSTMENT OF 4" IN ELEV. (RISE), A STEP SHALL BE CONSTRUCTED. NO STEP SHALL HAVE A RISE OVER 7.5" OR A RUN UNDER 10".
- 6 CONSTRUCT WHEEL CHAIR RAMP PER DETAIL AND STD. DWG. NO. 304.
- 7 CONSTRUCT A.C. OVERLAY.
- 8 CONSTRUCT MATCH-UP A.C. PAVING.

- 302 CONST. CONC. RETAINING WALL, PER DETAIL.
- 302 REMOVE TREE
- 302 WATER METER TO BE ADJUSTED BY CITY FORCES.
- 302 CONST. CURB & GUTTER PER STD. DWG. 200, TO MEET EXIST.
- 302 CONST. DRIVEWAY APPROACHES PER STD. DWG. 302. A & B AS NOTED.
- 325 CONST. SIDEWALK PER STD. DWG. 325, TO MEET EXIST.

**GENERAL NOTES:**

- 1. CONSTRUCTION SHALL BE IN ACCORDANCE WITH THE CITY OF RIVERSIDE PUBLIC WORKS DEPT. STANDARD DWGS. AND THE STD. SPECIFICATIONS FOR PUBLIC WORKS CONSTRUCTION, 1979 EDITION.
  - 2. CURB AND GUTTER STAKED WITH 8' OFFSETS AT 25' INTERVALS.
- CONSTRUCTION NOTES CONT....
- GRADE AT 3:1 SLOPE FROM BACK OF WALK TO EXISTING GRADE.



\* AS BUILT 6/18/80 KARL J

<b>CITY OF RIVERSIDE</b> <b>PUBLIC WORKS DEPARTMENT</b>				INDEXED BLD ACCOUNT NO. 15-550-532
APPROVED BY: <i>[Signature]</i> DATE: 11/2/81 PRINCIPAL ENGINEER				<b>EVANS STREET IMPROVEMENTS</b> BETWEEN JEFFERSON & 135' E'LY OF PLYNY AN H.C.D. PROJECT
APPROVED BY: <i>[Signature]</i> DATE: 11/2/81 PUBLIC WORKS DIRECTOR				
MARK: <i>[Initials]</i> DESIGNED BY: <i>[Initials]</i> DRAWN BY: <i>[Initials]</i> CHECKED BY: <i>[Initials]</i>	REVISIONS: <i>[Table]</i>	APPR. DATE: <i>[Table]</i> CHIEF P. ENGINEER	DATE: 11/2/81	SHEET 1 OF 1 R-2324 HORIZ. SCALE: 1" = 40' VERT. SCALE: 1" = 1' P.B. 1014-B-13 1019/69-71