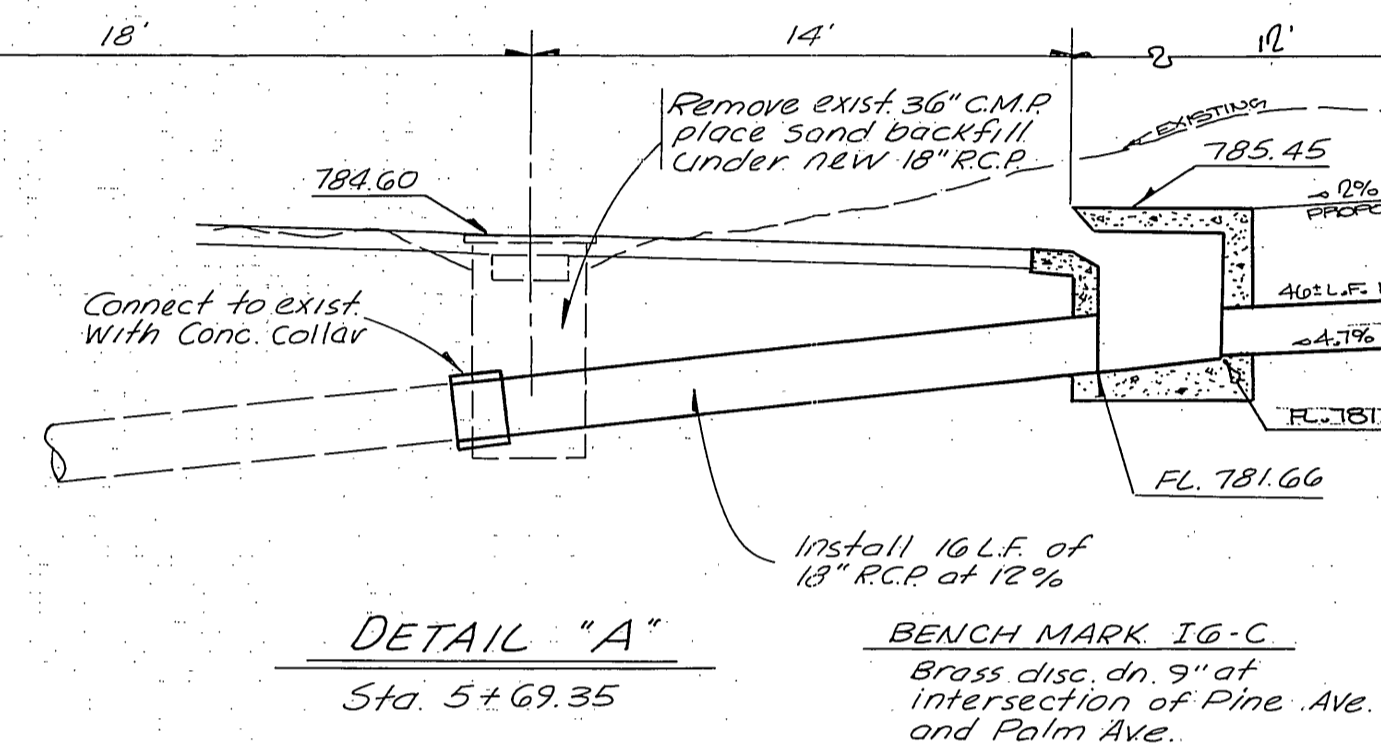
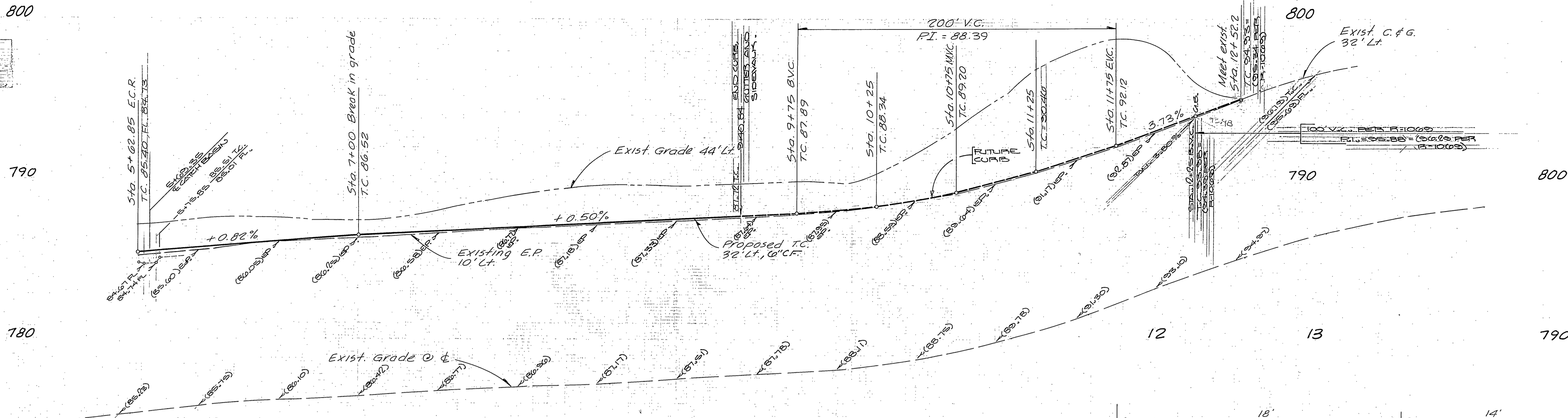


**CITY OF RIVERSIDE
PARKS DEPT. NOTES.**

- ALL RELATED WORK SHALL CONFORM TO THE CITY OF RIVERSIDE, PARKS AND RECREATION DEPARTMENT STANDARDS.
- CONTACT THE BABY PRODUCTS INSPECTOR, A MINIMUM OF 48 HOURS IN ADVANCE AT THE 1/2 HOURS TO SCHEDULE INSPECTIONS. INSPECTIONS SHALL BE REQUIRED:
 - BEFORE ANY TRENCHES ARE DUG.
 - BEFORE ANY PIPES ARE LAYED.
 - BEFORE ANY PAVEMENT IS LAYED.
 - BEFORE ANY CURBS OR GUTTERS ARE LAYED.
 - BEFORE ANY SIGNAGE IS INSTALLED.
- THE DEVELOPER SHALL MAINTAIN ALL PLANTINGS FOR A MINIMUM PERIOD OF 12 MONTHS.
- STREET TREE PLANTINGS SHALL BE AS FOLLOWS:

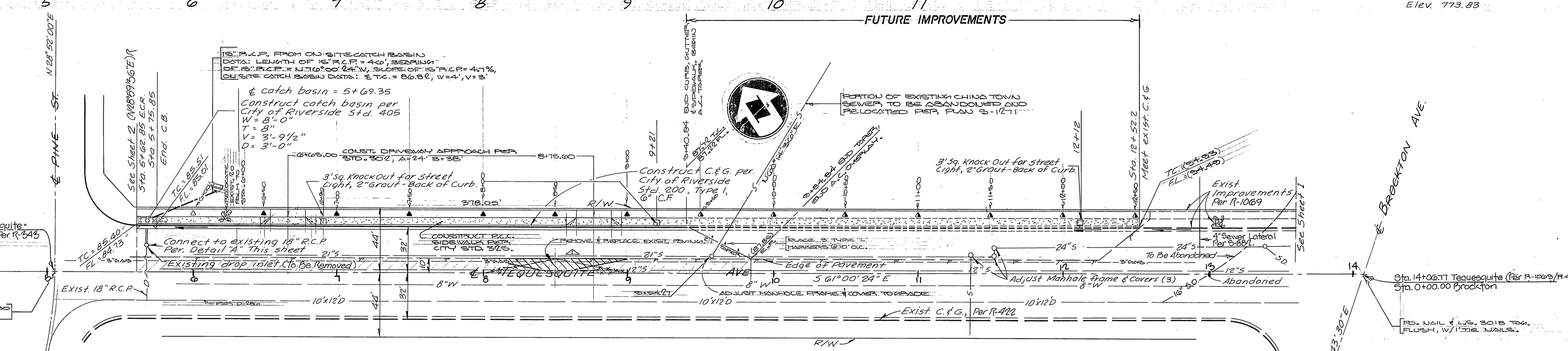
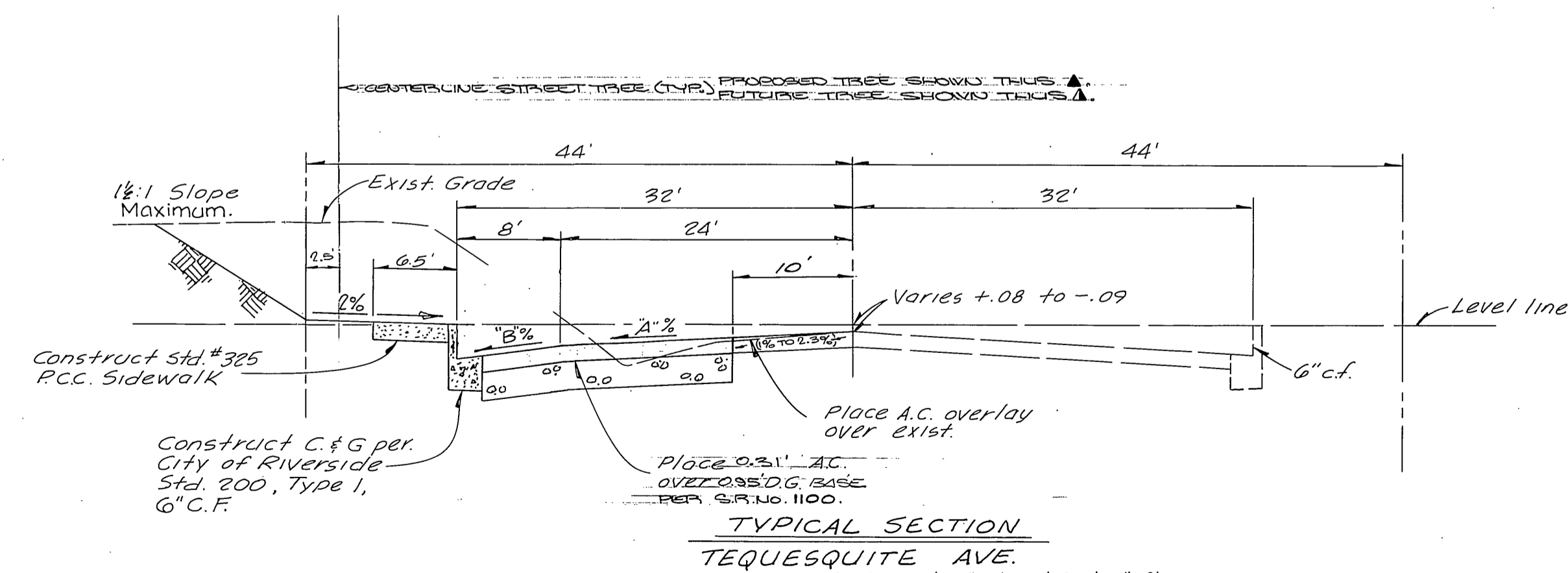
STREETNAME	BOTANICAL NAME / COMMON NAME	MIN. SIZE
ALBESQUITE	WASHINGTONIA BILBERIA / B. PINE	15 GAL.
ORANGE	ORANGE	15 GAL.



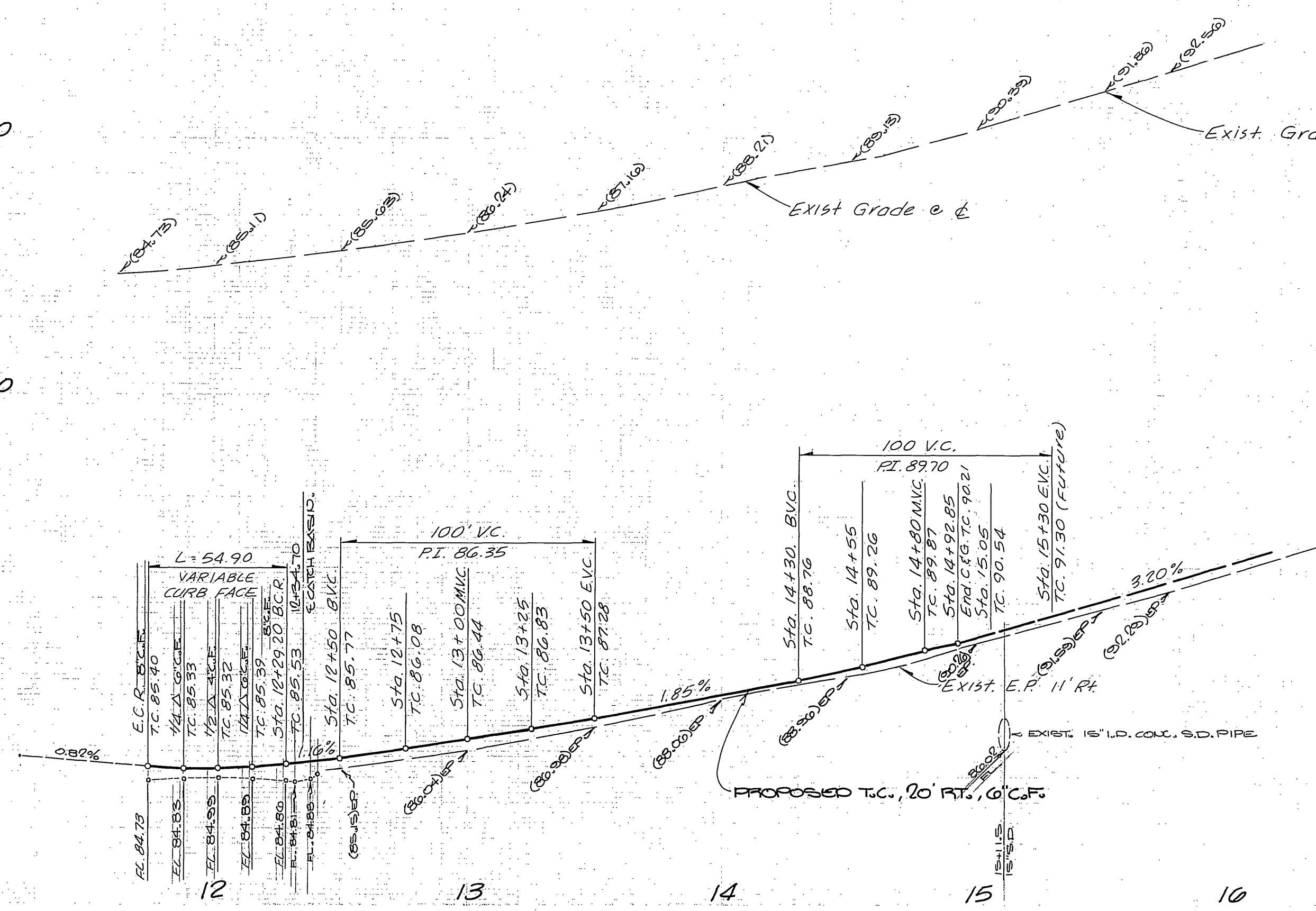
GENERAL NOTES:

- ALL UNDERGROUND UTILITIES OR STRUCTURES REPORTED BY THE OWNER, OR OTHERS, AND THOSE SHOWN ON THE RECORDS EXAMINED ARE INDICATED WITH THEIR APPROXIMATE LOCATION AND EXTENT. THE DEVELOPER, BY ACCEPTING THESE PLANS OR PROCEEDING WITH IMPROVEMENTS PURSUANT THERETO, AGREES TO ASSUME LIABILITY AND TO HOLD UNDERWRITERS HARMLESS FOR ANY DAMAGES RESULTING FROM THE EXISTENCE OF UNDERGROUND UTILITIES OR STRUCTURES NOT REPORTED TO THE UNDERWRITER; NOT INDICATED ON THE RECORDS EXAMINED; LOCATED AT VARIANCE WITH THAT REPORTED OR SHOWN ON RECORDS EXAMINED.
- IT SHALL BE THE RESPONSIBILITY OF THE CONTRACTOR TO CLEAR THE RIGHT-OF-WAY IN ACCORDANCE WITH THE PROVISIONS OF LAW AS IT AFFECTS EACH UTILITY, INCLUDING IRRIGATION LINES AND APPURTENANCES AND AT NO COST TO THE CITY.
- CONSTRUCTION SHALL BE IN ACCORDANCE WITH THE CITY OF RIVERSIDE, DEPARTMENT OF PUBLIC WORKS, STANDARD DRAWINGS AND THE STANDARD SPECIFICATIONS FOR PUBLIC WORKS CONSTRUCTION, 1978 EDITION.
- PAVE COAT SEAL COAT AND PAINT BANDS, ARE REQUIRED.
- TRIM EDGES OF EXISTING PAVEMENT WHERE NEW PAVEMENT JOINS EXISTING PAVEMENT TO A SMOOTH STRAIGHT LINE, CONSTRUCT MATCH UP PAVEMENT AS SHOWN AND OVERLAY PAVEMENT BE FINISHED IN THE FIELD TO PRODUCE A SMOOTH SECTION. A.C. OVERLAY IS SHOWN THUS: [hatched pattern]
- CONSTRUCT DRIVEWAY APPROACHES PER CITY OF RIVERSIDE STD. DRAWING 302.
- CURBS AND GUTTER SHALL BE STAKED WITH 3' OFFSET AT 25' INTERVALS.
- ALL FLAGGED ELEVATIONS SHALL BE STAKED IN THE FIELD BY THE PRIVATE ENGINEER.
- THE PRIVATE ENGINEER SIGNING THESE PLANS IS RESPONSIBLE FOR ASSURING THE ACCURACY AND ACCEPTABILITY OF THE WORK HEREON. IN THE EVENT OF DISCREPANCIES ARISING DURING CONSTRUCTION AS A RESULT OF ERRORS OR OMISSIONS, THE PRIVATE ENGINEER SHALL BE RESPONSIBLE FOR DETERMINING AN ACCEPTABLE SOLUTION AND REVISIONS. THESE PLANS FOR APPROVAL BY THE CITY.
- EXISTING ELEVATIONS ARE SHOWN IN PARENTHESES ().

Station	"A" %	"B" %
5+02	1	2.3
6+00		2.2
6+50		1.6
7+00		1.2
7+50		2.5
8+00		1.8
8+50		1.0
9+00		2.7
9+50		2.5
10+00		3.5
10+50		1.2
11+00		1.3
11+50		2.2
12+00		3.7
12+52		

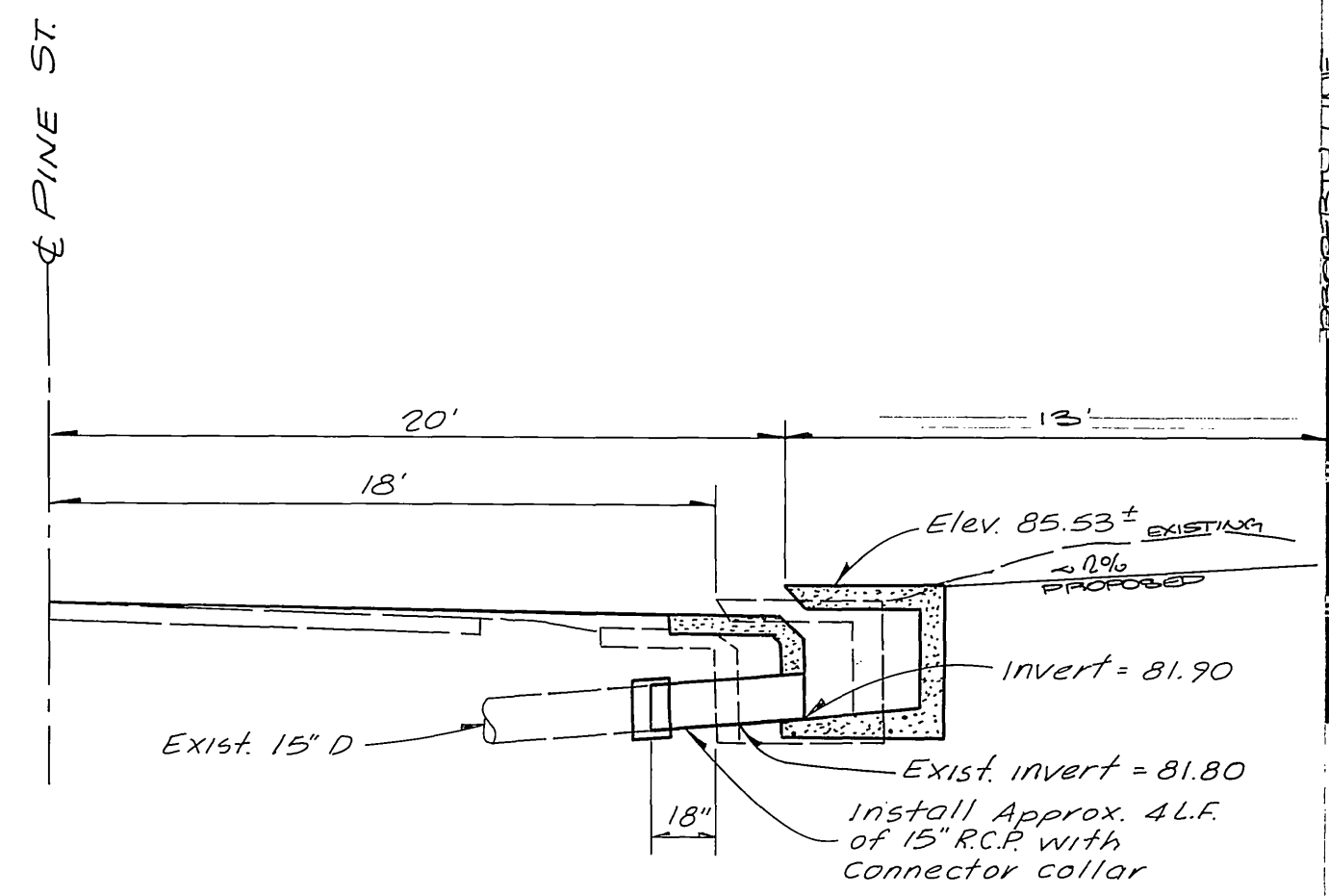


BEELER, KRIEGER & STEWART LAND SURVEYORS - CIVIL ENGINEERS 3602 UNIVERSITY AVE., SUITE 201 RIVERSIDE, CALIFORNIA 92501 (714) 684-6900 APPROVED BY: <i>Mark S. Monahan</i> 11-2-80 REGISTERED ENGINEER NO. C22020 DATE	CITY OF RIVERSIDE ELECTRIC DEPARTMENT APPROVED BY: <i>Don Campbell</i> 11/24/80 CHIEF UTILITIES ENGINEER DATE	CITY OF RIVERSIDE DOMESTIC WATER SYSTEM APPROVED BY: <i>Fred Lantz</i> 11/20/80 WATER SYSTEMS MANAGER DATE	SO. CALIFORNIA GAS CO. BY: <i>Mr. [Signature]</i> DATE
CITY OF RIVERSIDE, CALIFORNIA DEPARTMENT OF PUBLIC WORKS APPROVED BY: <i>William D. Handman</i> 4/24/81 DIRECTOR OF PUBLIC WORKS DATE 4/24/81			PROJECT NO. R-2362 SHEET 1 OF 2 FILE NO. 148-11



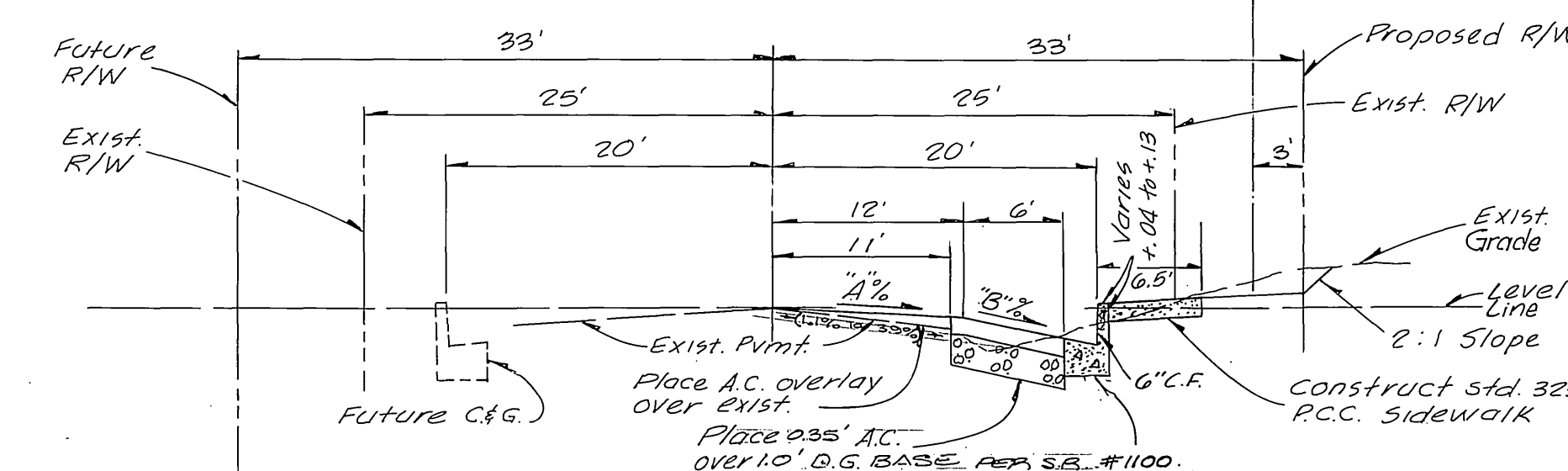
BENCH MARK 1G-C
 Brass disc, dn. 9" at
 intersection of Pine St
 and Palm Ave.
 Elev. 773.83

Station	"A" %	"B" %
12+29.20	1%	2.50
12+50		2.00
13+00		2.16
13+50		2.33
14+00		4.00
14+50		3.50
14+92.85		3.00

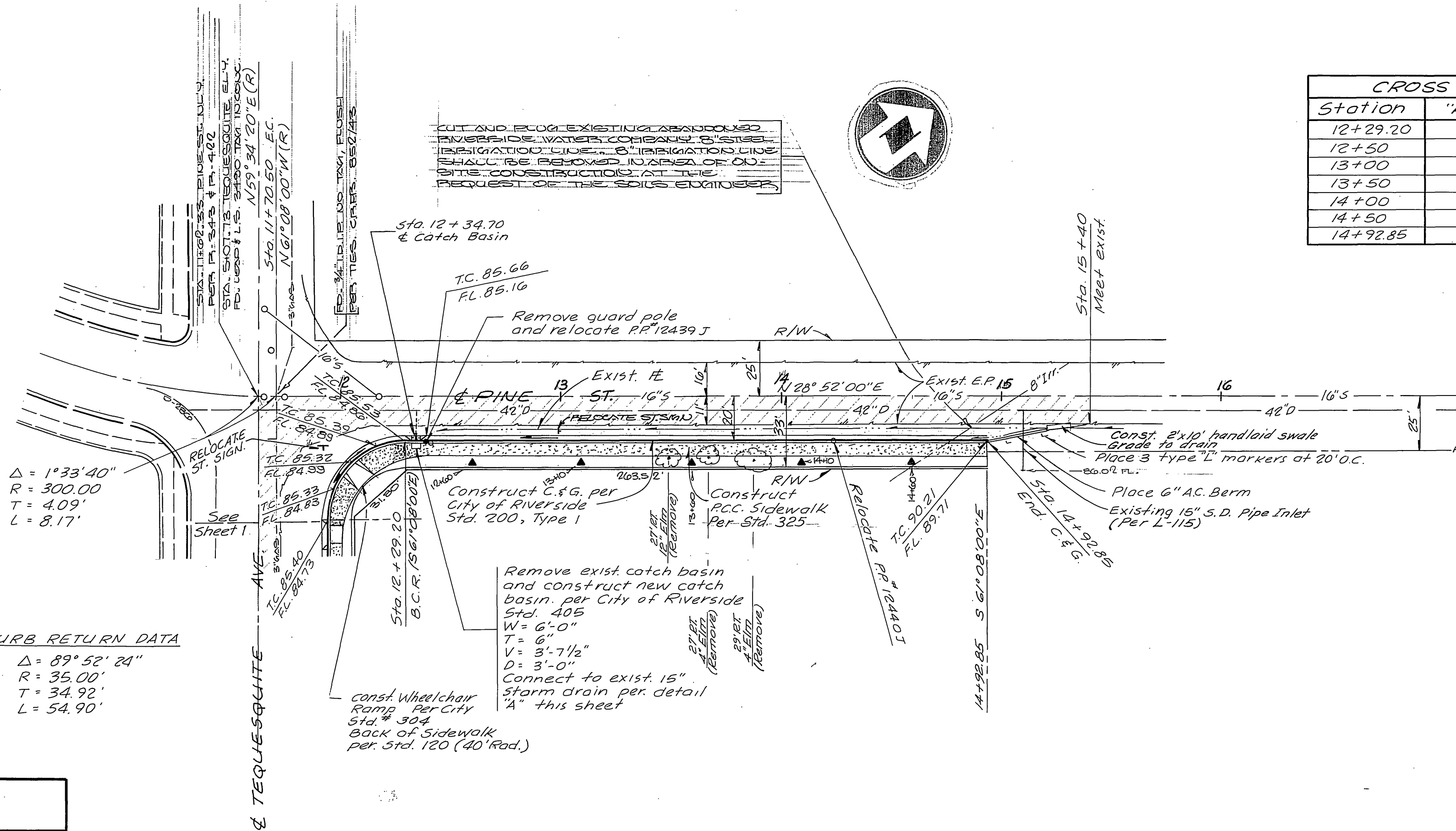


DETAIL "A"
 Sta. 12+33

CURB RETURN DATA
 $\Delta = 89^{\circ} 52' 24"$
 $R = 35.00'$
 $T = 34.92'$
 $L = 54.90'$



TYPICAL SECTION
 PINE ST.
 SCALE: Horiz. 1" = 10' Vert. 1" = 2'
 T.I. = 7.5



CITY OF RIVERSIDE
 ELECTRIC DEPARTMENT
 APPROVED BY: *Don Campbell* 4/21/80
 CHIEF UTILITIES ENGINEER DATE

CITY OF RIVERSIDE
 DOMESTIC WATER SYSTEM
 APPROVED BY: *Fred Lantz* 4/21/80
 WATER SYSTEMS MANAGER DATE

BEELER, KRIEGER & STEWART
 LAND SURVEYORS - CIVIL ENGINEERS
 3602 UNIVERSITY AVE., SUITE 201
 RIVERSIDE, CALIFORNIA 92501
 (714) 684-6900
 APPROVED BY: *Mark E. Mennowitz* 11/2/80
 REGISTERED ENGINEER NO. C22020 DATE

CITY OF RIVERSIDE, CALIFORNIA
 DEPARTMENT OF PUBLIC WORKS
 APPROVED BY: *William P. Hansen* 4/24/81
 DIRECTOR OF PUBLIC WORKS DATE

SO. CALIFORNIA GAS CO.
 BY: *Oliver...* DATE

AS BUILT 2-10-84 BRET!

INDEXED BLD

PROJECT NO. **R-2362**

SHEET 2 OF 2

FILE NO. 148-11

HORIZ. SCALE: 1" = 40' VERT. SCALE: 1" = 4'