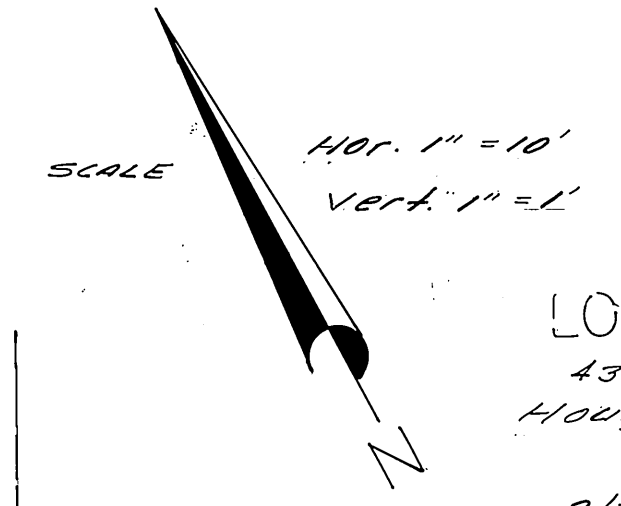
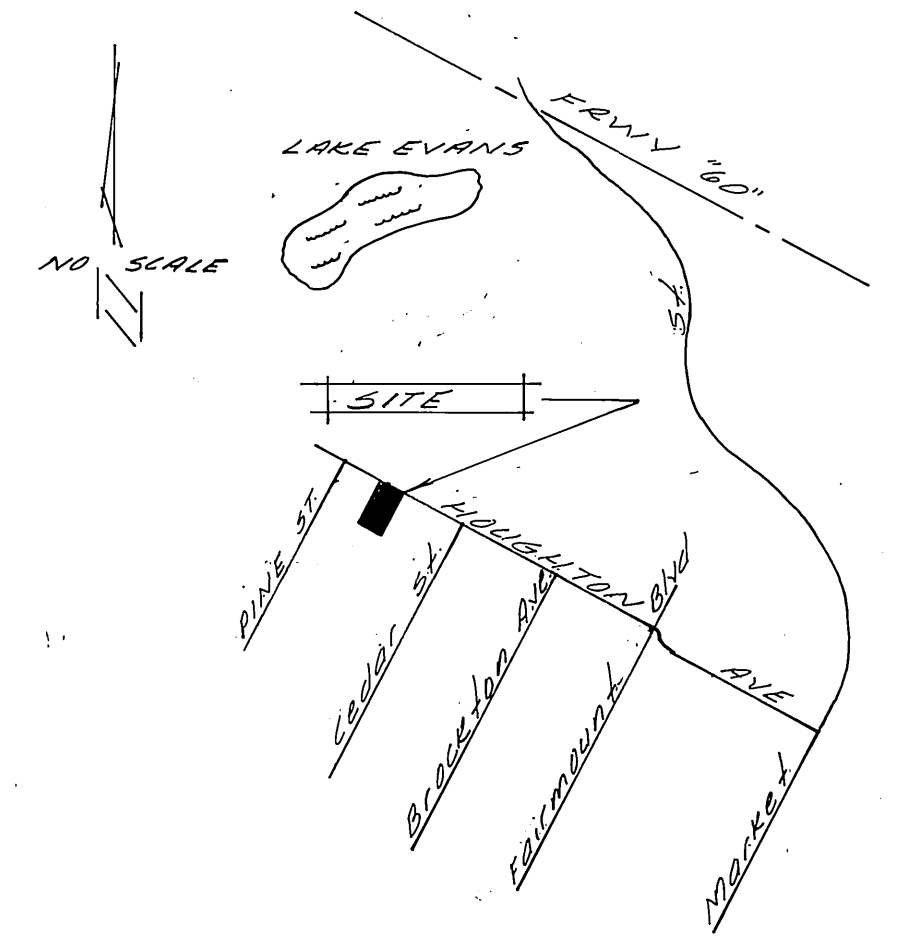


LOCATION MAP



LOT 4
4351
HOUGHTON AVE.
R/W

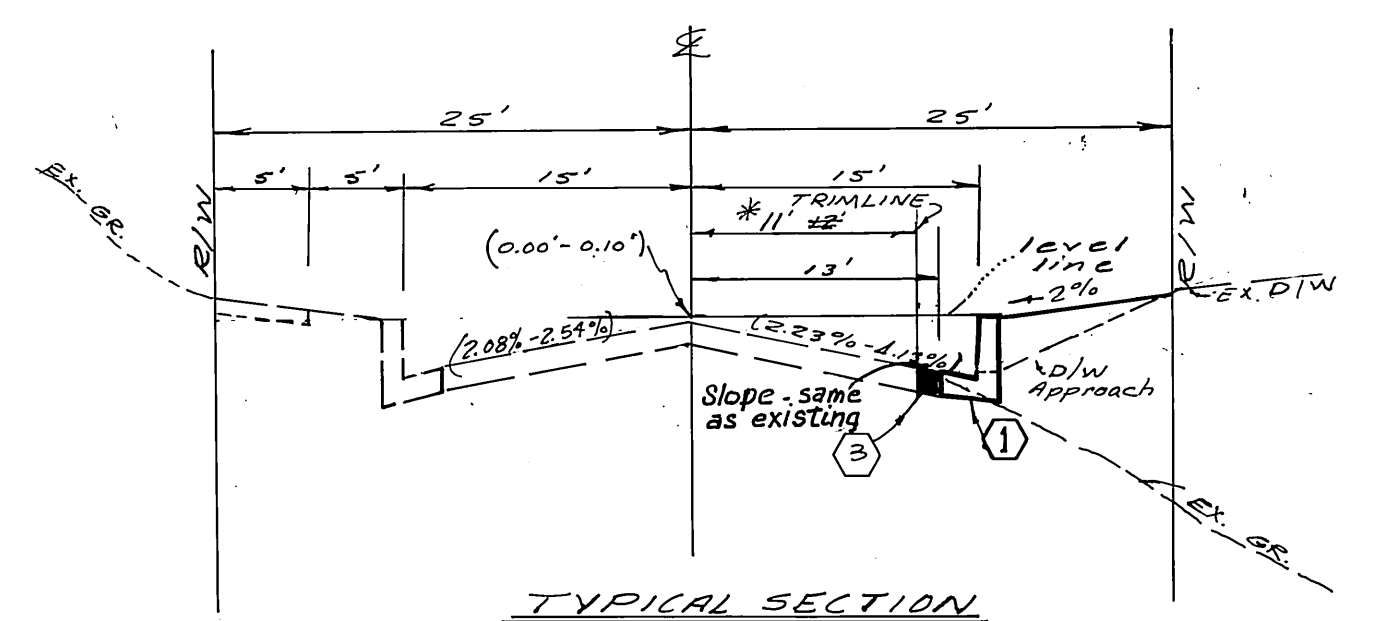
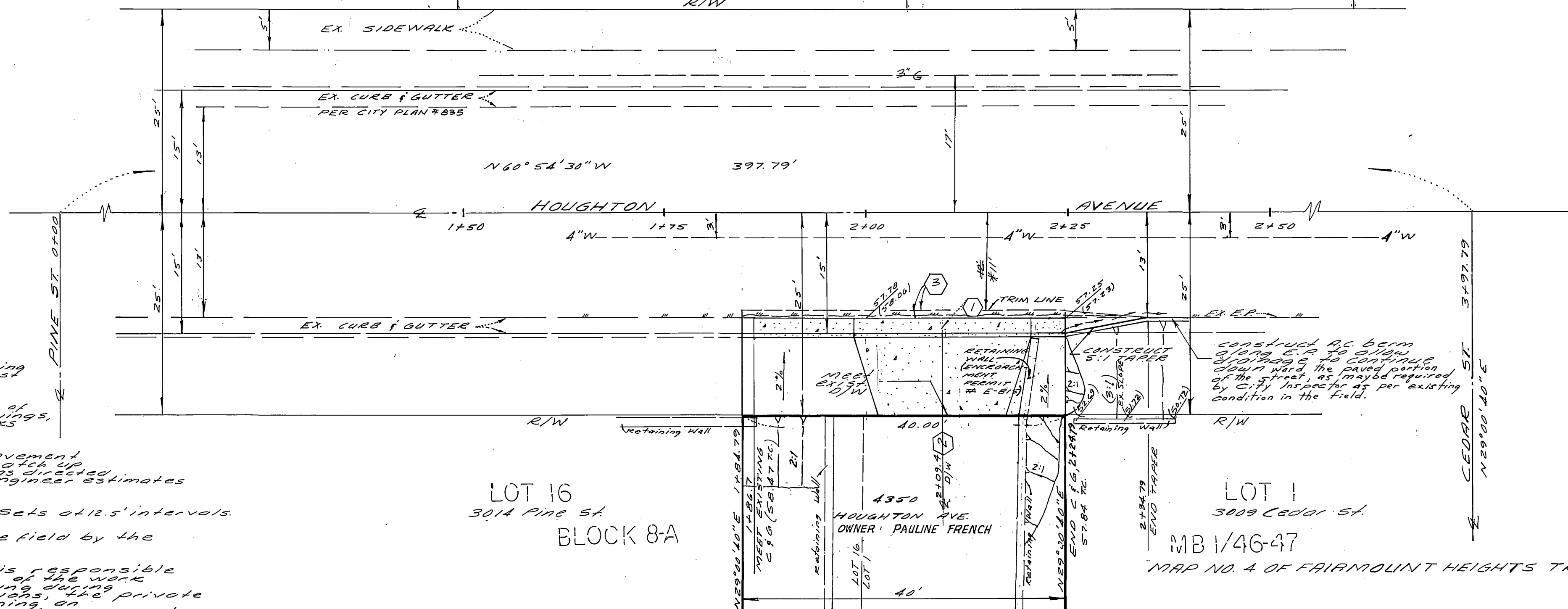
LOT 5
MB 13/82
4337
HOUGHTON AVE.

- CONSTRUCTION NOTES**
- 1) const curb and gutter STD. DWG. 200 type I 8" CR
 - 2) const concrete driveway approach STD. DWG. # 302 type I A-16' 8" 22'
 - 3) const 3" AC over 6" D.G. Base
- NOTE: no street tree planting required

To spike lead in E/W curb of Fairmount Blvd @ B.C. of curb @ 13' from of island @ intersection Fairmount Blvd and Houghton Ave. Per Plan R-2451 ELEV. 850.36

GENERAL NOTES

- 1) It shall be the responsibility of the contractor to clear the right of way and construct match up provisions of low as it affects each utility including to the city.
- 2) Construction shall be in accordance with the City of Riverside Dept. of Public Works drawings, and the standard specifications for Public Works construction.
- 3) Trim edges of existing pavement where new pavement paving is shown on plan and overlay paving as directed in the figure to produce a smooth section. Engineer estimates overlay to be.
- 4) Curb and gutter shall be staked with 3' off sets at 12.5' intervals.
- 5) All flagged elevations shall be staked in the field by the private engineer.
- 6) The private engineer signing these plans is responsible for assuring the accuracy and acceptability of the work hereon. In the event of any discrepancies or omissions, the private engineer shall be held responsible for determining an appropriate solution and revising the plans for approval by the city.



ERNEST PINTOR LAND SURVEYOR 4250 BROCKTON AVE. RIVERSIDE, CA 92501 PHONE (714) 683-4292		CITY OF RIVERSIDE, CALIFORNIA PUBLIC WORKS DEPARTMENT		STREET PLAN & PROFILE HOUGHTON AVE. SWLY SIDE BETWEEN PINE ST. AND CEDAR ST.		W.O. 3757 DRAWING NUMBER R-2451	
APPROVED BY: <i>Richard Kline</i> RICHARD KLINE R.S.E. 30574 DATE: 12/24/81		APPROVED BY: <i>William D. ...</i> DIRECTOR OF PUBLIC WORKS		BUILDING PERMIT 4350 HOUGHTON AVE		SHEET 1 OF 1	
W.O. 3757 FOR: PAULINE FRENCH		DESIGNED BY: L.P. DRAWN BY: J.R. CHECKED BY:		DATE: MARCH 26, 1982		SCALE: HOR. 1" = 10' VERT. 1" = 1'	