

CURVE DATA

NO.	R.A.D.	Δ	T	L
①	1100.00	18° 05' 18"	176.09	347.27
②	1100.00	2° 03' 30"	19.76	39.20
③	27.00	87° 56' 39"	26.06	41.44

GENERAL NOTES

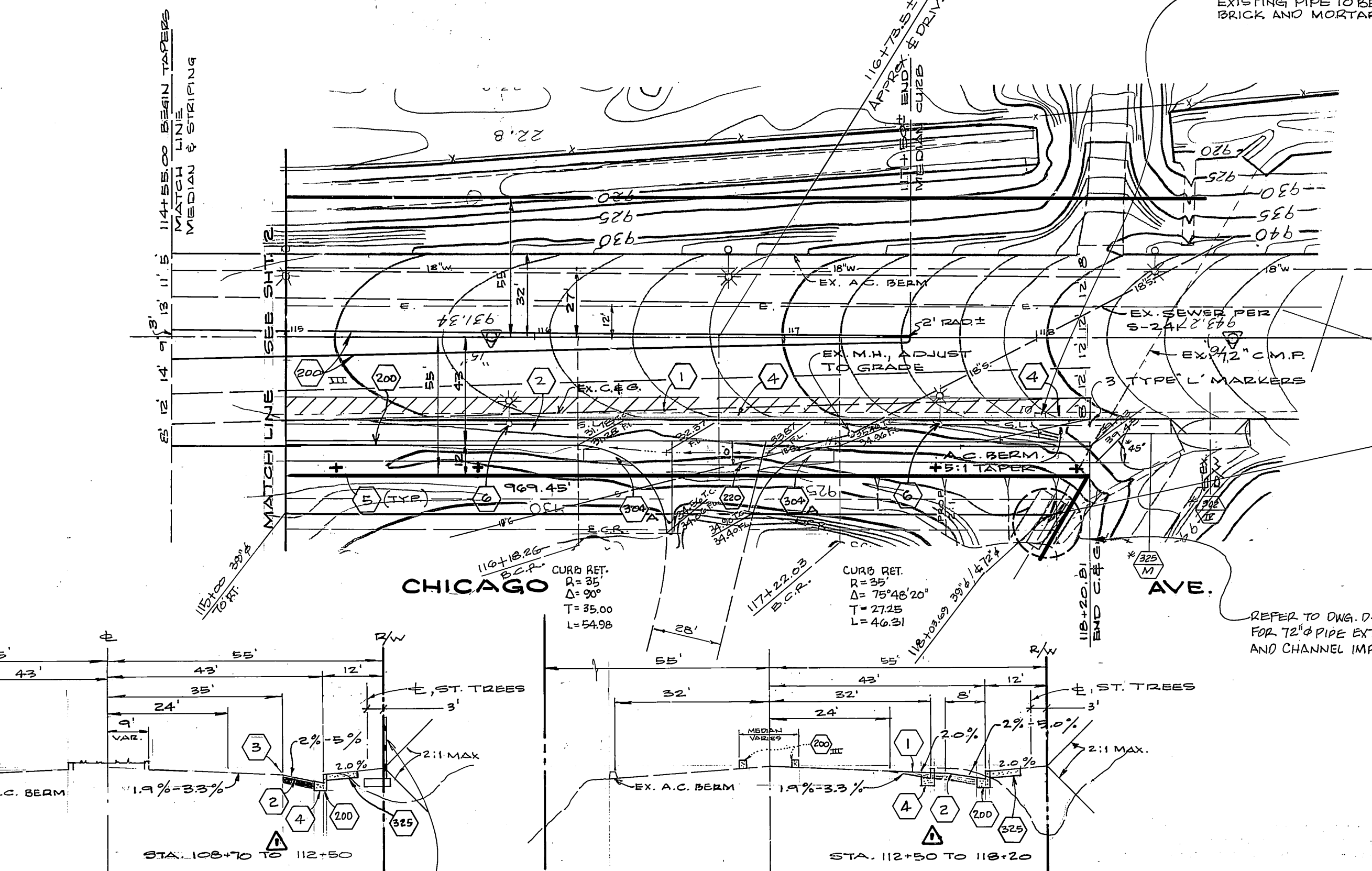
- IT SHALL BE THE RESPONSIBILITY OF THE CONTRACTOR TO CLEAR THE RIGHT OF WAY IN ACCORDANCE WITH THE PROVISIONS OF LAW AS IT AFFECTS EACH UTILITY INCLUDING IRRIGATION LINES AND APPURTENANCES AND AT NO COST TO THE CITY.
- CONSTRUCTION SHALL BE IN ACCORDANCE WITH CITY OF RIVERSIDE, DEPARTMENT OF PUBLIC WORKS, STANDARD DRAWINGS, AND THE STANDARD SPECIFICATIONS FOR PUBLIC WORKS CONSTRUCTION, 1979 EDITION.
- THE PRIVATE ENGINEER SIGNING THESE PLANS IS RESPONSIBLE FOR THE ACCURACY AND ACCEPTABILITY OF THE WORK HEREIN. IN THE EVENT OF DISCREPANCIES ARISING DURING CONSTRUCTION THE PRIVATE ENGINEER SHALL BE RESPONSIBLE FOR DETERMINING AN ACCEPTABLE SOLUTION AND REVISING THE PLANS FOR APPROVAL BY THE CITY.
- TRIM EDGE OF EXISTING PAVEMENT WHERE NEW PAVEMENT JOINS TO A SMOOTH, STRAIGHT LINE. CONSTRUCT MATCH-UP PAVING AS SHOWN ON PLAN AND OVERLAY PAVING AS DIRECTED IN THE FIELD TO PRODUCE A SMOOTH SECTION. ENG. ESTIMATES OVERLAY TO BE 25 TONS.
- CURB AND GUTTER SHALL BE STAKED WITH 3' OFFSETS AT 25' INTERVALS.
- ALL FLAGGED ELEVATIONS SHALL BE STAKED IN THE FIELD BY THE PRIVATE ENGINEER.
- ALL TESTING AND CERTIFICATION OF THE TREATED BASE WILL BE AT THE DEVELOPER'S EXPENSE.
- ALL RELATED WORK SHALL CONFORM TO THE CITY OF RIVERSIDE, PARK AND RECREATION DEPT. STDS.
- CONTACT THE PARK PROJECTS INSPECTOR A MINIMUM OF 48 HOURS IN ADVANCE AT 787-7223 TO SCHEDULE INSPECTIONS. INSPECTIONS SHALL BE REQUIRED: A) WHEN PLANT LOCATIONS HAVE BEEN SPOTTED IN THE FIELD PRIOR TO DIGGING PLANT PITS, B) WHILE DIGGING PLANT PITS AND PLANTING/RELOCATING TREES, C) AFTER PLANTING AND ALL OTHER INDICATED OR SPECIFIED WORK HAS BEEN COMPLETED FOR START OF MAINTENANCE, AND D) AT END OF MAINTENANCE/FINAL ACCEPTANCE (CONTRACTOR/DEVELOPER WILL BE RELEASED FROM MAINTENANCE ONLY UPON RECEIPT OF WRITTEN NOTIFICATION FROM THE CITY THAT THE PARK AND RECREATION DEPT. IS ASSUMING MAINTENANCE RESPONSIBILITIES).

CONSTRUCTION NOTES

- CONST. CURB & GUTTER, TYPE I (6" C.P.) PER STD. 200
- CONST. CURB ONLY, TYPE III (6" C.P.) PER STD. 200
- CONST. A.C. OVERLAY PAVING
- CONST. 0.75" A.C. PAVING OVER 0.75" CRUSHED AGGREGATE BASE (R VALUE = 59) (I.I. = 8.0) (S.R. = 11.8)
- TRIM EDGE OF EXIST. A.C. PAVING
- REMOVE EXIST. A.C. BERM OR CURB & GUTTER.
- PLANT STREET TREES PER CITY OF RIVERSIDE PARKS & RECREATION DEPT. STDS.
- RELOCATE EX. STREET LIGHT
- CONST. CURBLINE SIDEWALK PER C/D STD. 325.
- CONST. WHEELCHAIR RAMP PER C/D STD. 304.
- CONST. MODIFIED WHEELCHAIR RAMP PER C/D STD. 304. SEE DETAIL ABOVE.
- CONST. CROSS GUTTER AND APRON PER STD. DWG. 220 (WIDTH SHOWN ON PLAN)
- REMOVE STRIP OF EXISTING A.C. PAVING 2' WIDE AND REPLACE WITH 4" A.C. PAVING TO MEET EDGE OF PROPOSED X-GUTTER & APRON.
- THE CONTRACTOR/DEVELOPER SHALL MAINTAIN ALL PLANTINGS FOR A MINIMUM PERIOD OF ONE (1) YEAR.
- STREET TREE PLANTING SHALL BE AS FOLLOWS:
ST. NAME BOTANICAL/Common Name APPROX. SPACING
CHICAGO AVE. LAGERSTROMIA INDICA/ 50 FT.
MIN. SIZE NO. REQ.
15 GAL. 19
- ON ALL COMMERCIAL/INDUSTRIAL DEVELOPMENT, PROVIDE AUTOMATIC IRRIGATION TO STREET TREES.
- SEE PLAN LS-13712 FOR STREET LIGHT RELOCATION WORK.
- THE PRIVATE ENGINEER PREPARING THESE PLANS SHALL BE RESPONSIBLE FOR PRESERVING OR RE-ESTABLISHING AND REFERENCING SURVEY MONUMENTS DESTROYED, DISTURBED OR BURIED AS A RESULT OF CONSTRUCTION SHOWN HEREON.

BENCH MARK

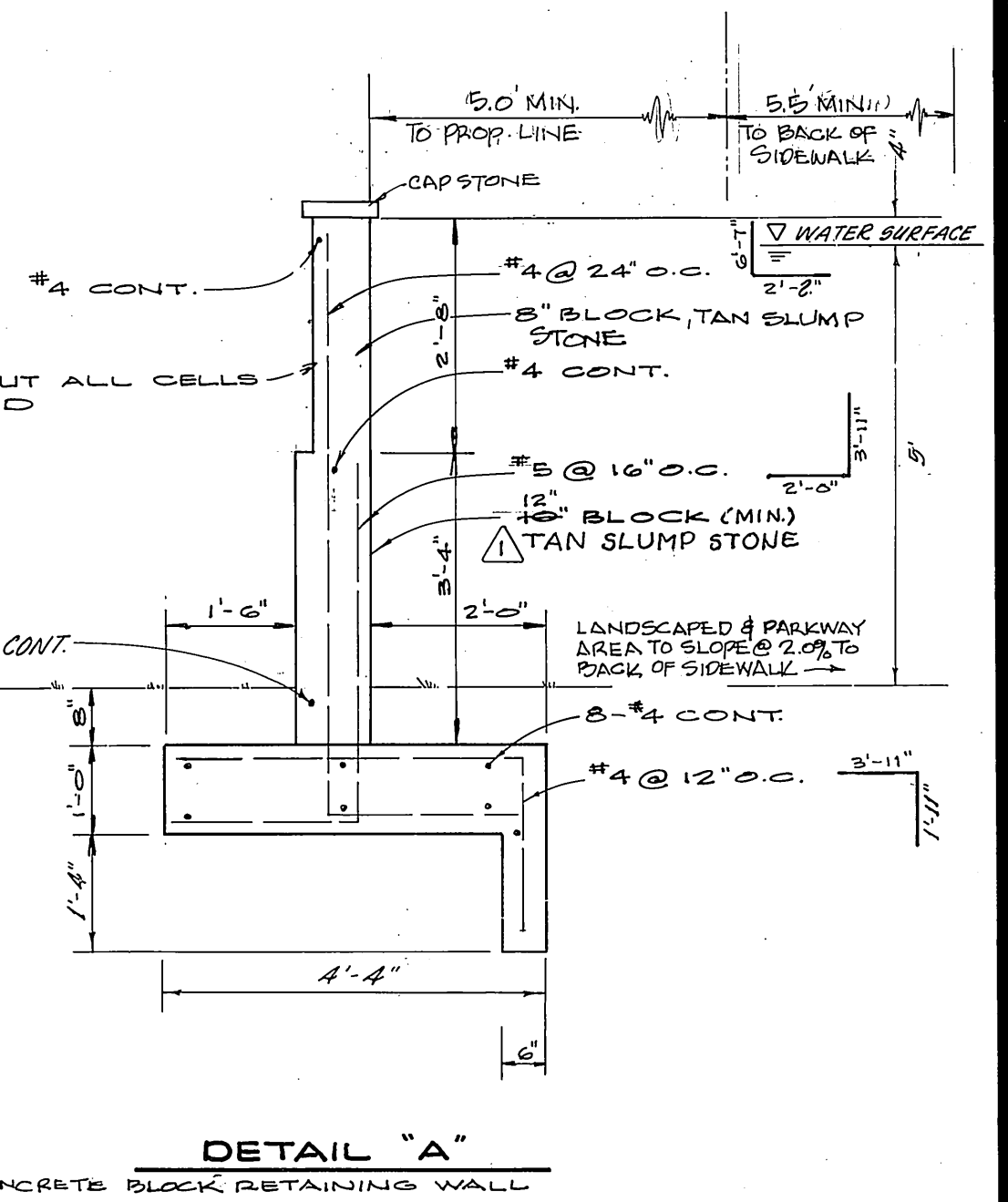
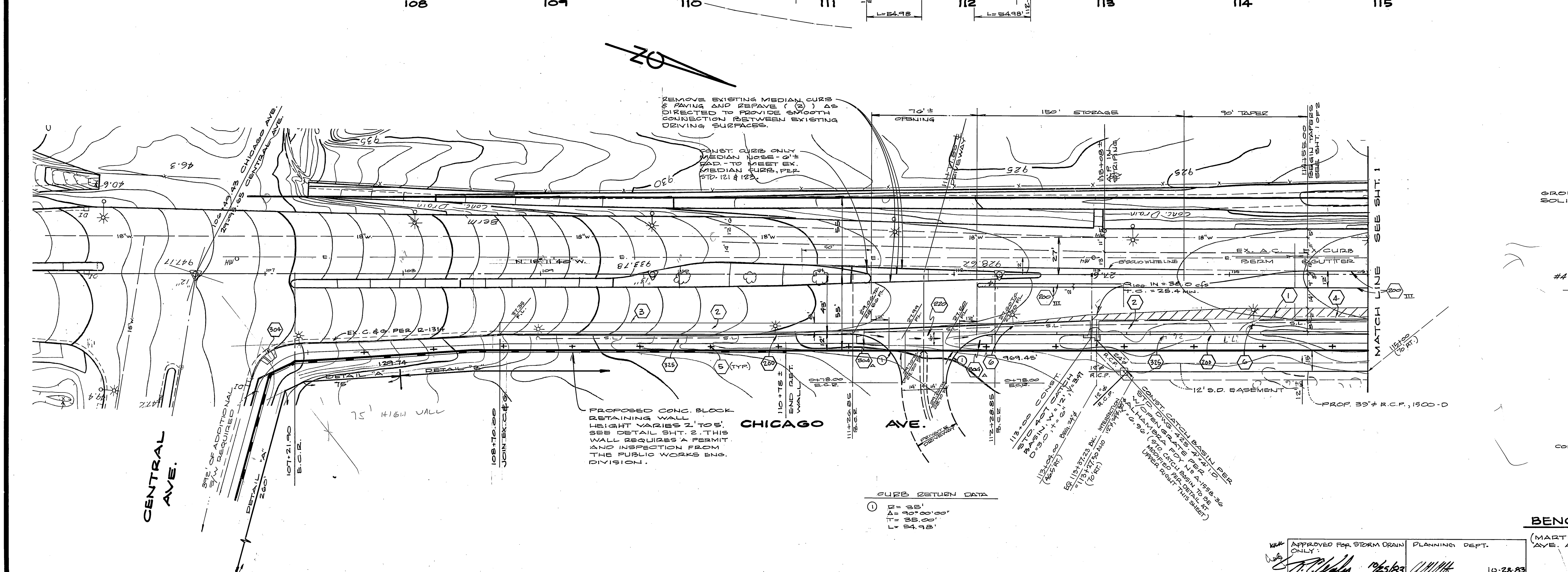
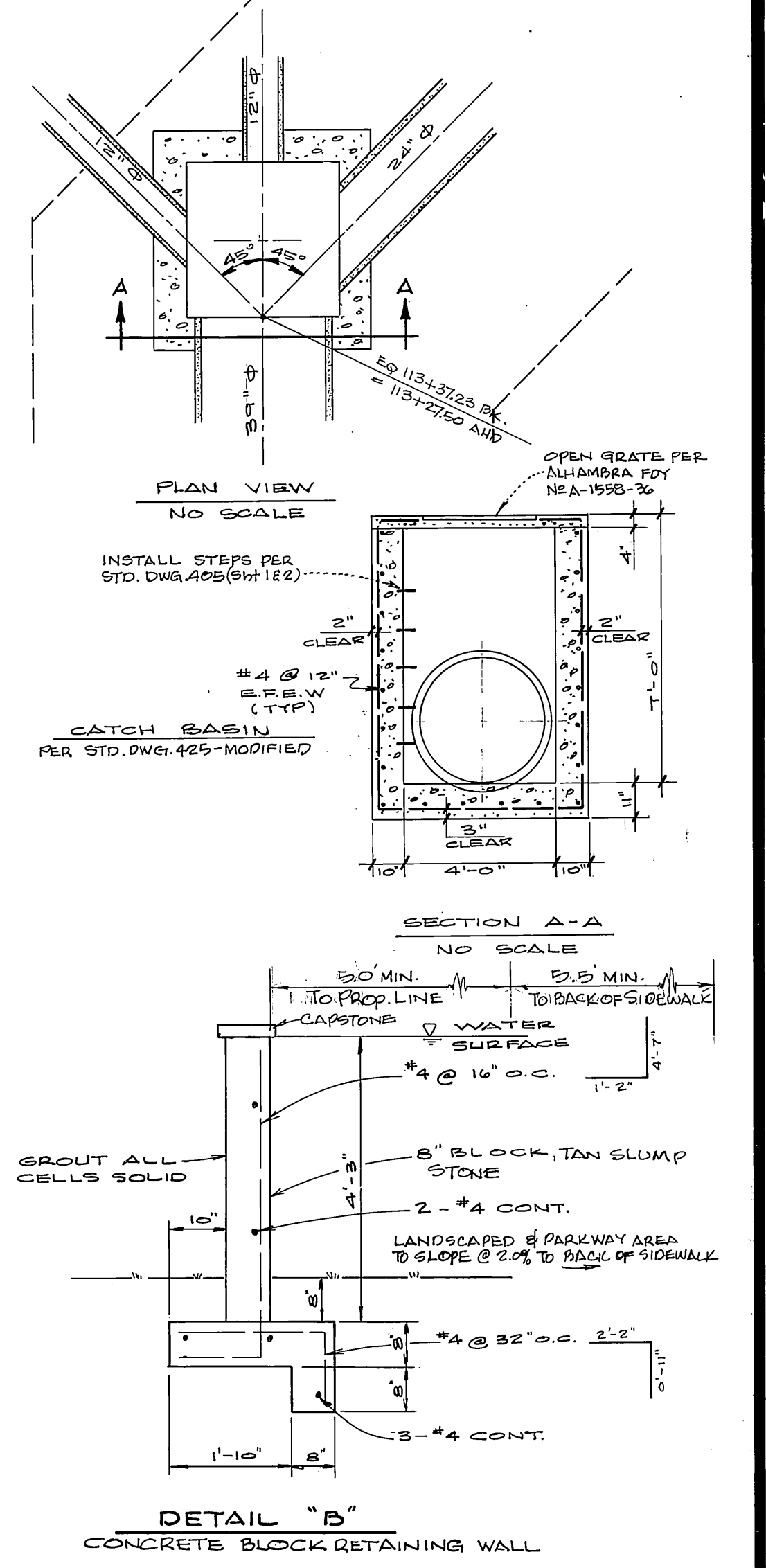
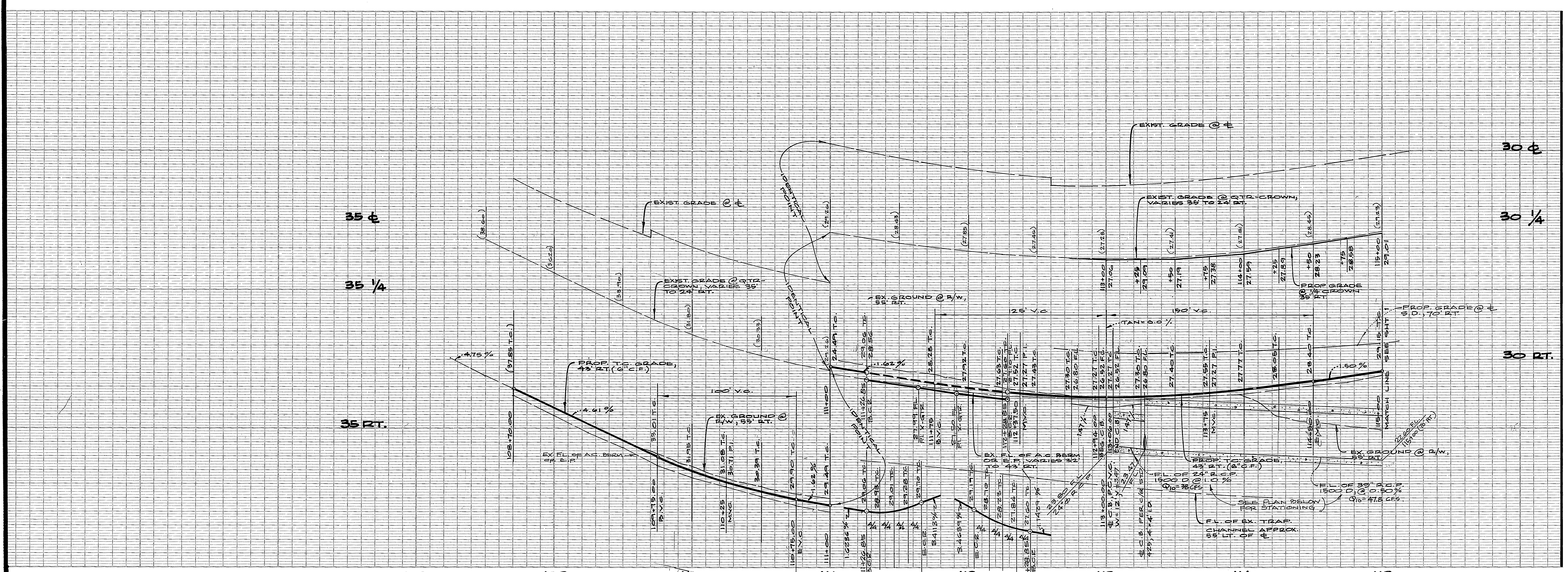
(MARTINEK) BRASS DISK IN CONG. W/LY OF CHICAGO AVE. AT LE CONTE DR. ELEV. = 924.900



TYPICAL SECTION
CHICAGO AVENUE
T.I. = 8.0

CITY OF RIVERSIDE DOMESTIC SYSTEMS WATER SYSTEMS MANAGER Fred Rant 1/17/83	CITY OF RIVERSIDE OVERHEAD & UNDERGROUND ELEC. SYSTEMS MANAGER Don Campbell 4/2/83	ALBERT A. WEBB ASSOCIATES CIVIL ENGINEERS RIVERSIDE, CALIFORNIA APPROVED BY [Signature] DATE 8/2/83 R.E. No. 9876	CITY OF RIVERSIDE, CALIFORNIA PUBLIC WORKS DEPARTMENT APPROVED BY [Signature] DATE 10/28/83 PLANNING DEPT.	*AS BUILT 6/7/85	INDEX WF
				STREET PLAN & PROFILE CHICAGO AVE. CENTRAL AVE. N'LY 1200' TR. 18334 R-98-767 P.R.D.-9-767	ACCOUNT No. DRAWING NUMBER R-2466 SHEET 1 OF 2

PC1204



BENCH MARK
 (MARTINEK) BRASS DISK IN CONC. W/LY OF CHICAGO AVE. AT L&E CORNER.
 ELEV. = 984.900

CITY OF RIVERSIDE DOMESTIC SYSTEMS [Signature] 4/1/82 WATER SYSTEMS MANAGER	CITY OF RIVERSIDE OVERHEAD & UNDERGROUND [Signature] 6/29/82 ELEC. SYSTEMS MANAGER	ALBERT A. WEBB ASSOCIATES CIVIL ENGINEERS RIVERSIDE, CALIFORNIA APPROVED BY [Signature] DATE 8/2/81 R.E. No. 9876	CITY OF RIVERSIDE, CALIFORNIA PUBLIC WORKS DEPARTMENT APPROVED BY [Signature] DATE 10/28/83 DIRECTOR OF PUBLIC WORKS	STREET PLAN & PROFILE CHICAGO AVE. CENTRAL AVE. N'LY 1200' TR. 18534 R-98-767 P.R.D. 9-767	ACCOUNT No. DRAWING NUMBER R-2466 SHEET 2 OF 2 79-53 A

PC1204