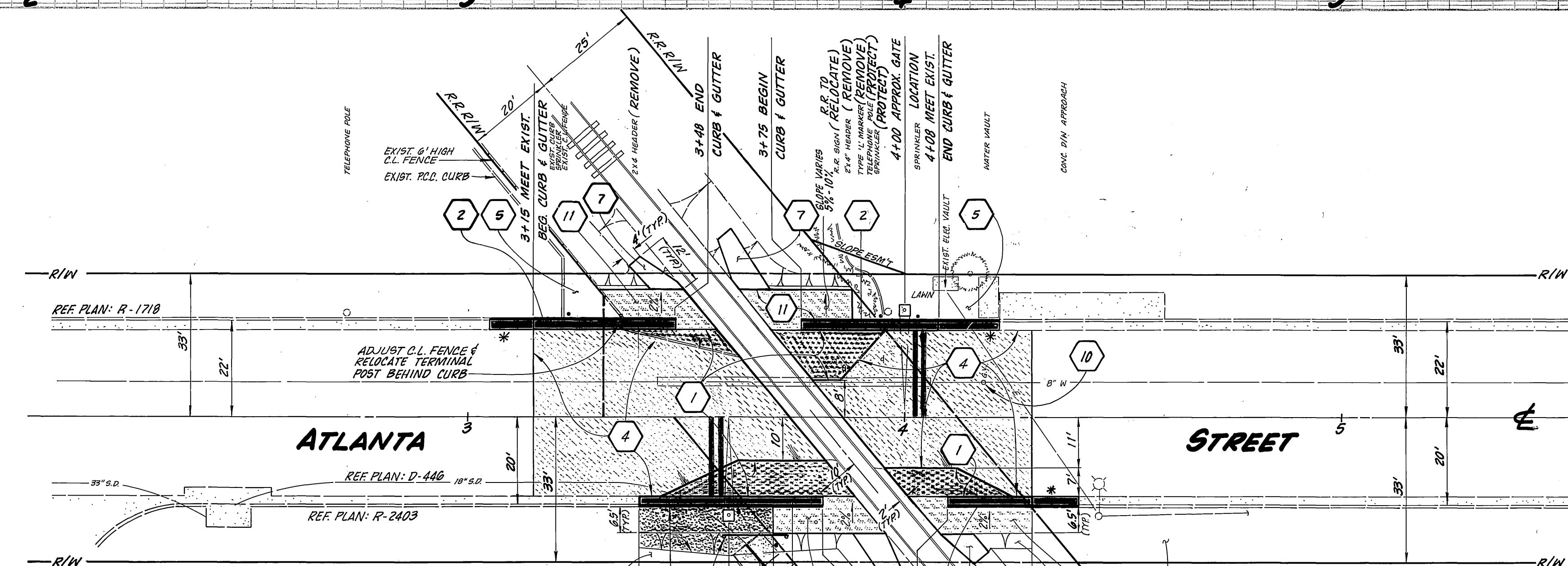


BENCH MARK
TOP OF 3/4" I.P. AT P.I. OF SPRUCE STREET & ATLANTA STREET PER CRFB / 962 - 65.
ELEV. 930.48



GENERAL NOTES

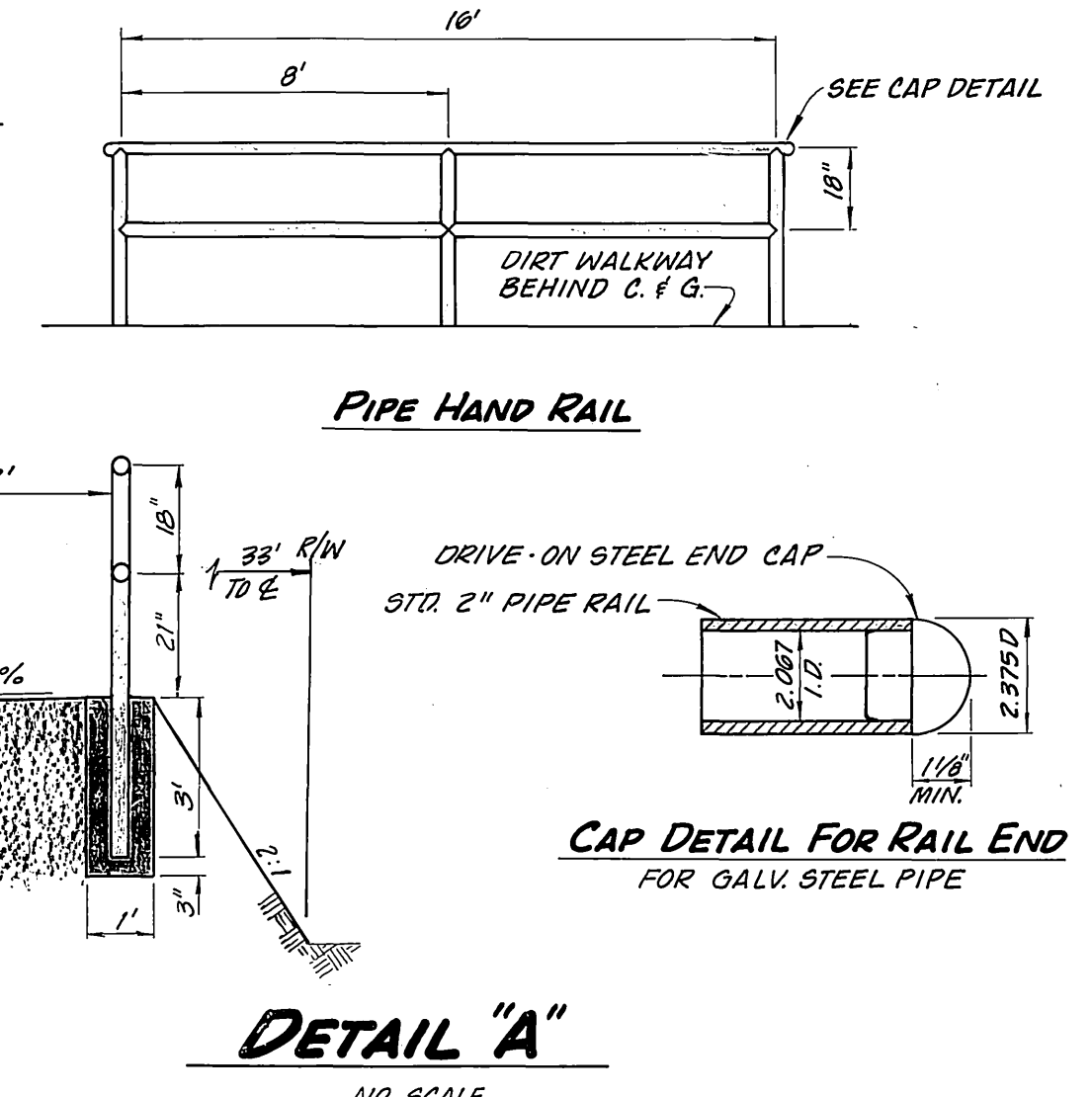
- CONSTRUCTION SHALL BE IN ACCORDANCE WITH THE CITY OF RIVERSIDE STANDARD SPECIFICATIONS AND STANDARD SPECIFICATIONS FOR PUBLIC WORKS CONSTRUCTION, 1988 EDITION, 1989 SUPPLEMENT.
- CUT AND FILL SLOPES ARE 1.5:1 OR FLATTER.
- PAVEMENT MARKINGS & STRIPING TO BE DONE BY CITY FORCES, STREET SERVICES DIV.
- STORM DRAIN EASEMENT.

CONSTRUCTION NOTES

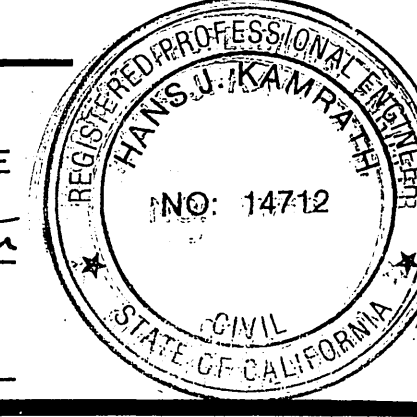
- CONSTRUCT STRUCTURAL SECTION OF 0.30' A.C. OVER 0.55' AGGREGATE BASE MATERIAL.
- CONSTRUCT CURB & GUTTER PER STD. DWG. 200, 6" C.F.
- EXTEND 0' L.F. OF 18" R.C.P. AS SHOWN ON THE PLAN & PIPE INLET SECTION. PROVIDE 4" THICK P.C.C. CONC. LINING AROUND PIPE AND 2.0' HIGH CUT-OFF WALL. PROVIDE CONC. COLLAR TO JOIN PIPE. REMOVE EXIST. CONC. APRON. SEE 18" R.C.P. PROFILE ABOVE LEFT.
- REMOVE EXIST. A.C. & REPLACE WITH STRUCTURAL SECTION OF 0.30' OF A.C. OVER 0.55' C.A.B.
- THIS AREA IS LANDSCAPED AND HAS AN ACTIVE PRIVATE SPRINKLER SYSTEM. CONTRACTOR SHALL CUT & SEAL IRRIGATION LINES BEHIND CURB.
- GRADE DIRT WALKWAY AREA BEHIND CURB & GUTTER @ 2% AS SHOWN ON PLAN. DIRT FILL MATERIAL SHALL BE COMPACTED TO 90% R.C. (MIN.) CONTRACTOR TO SEED GRADED & SLOPE AREA WITH GRASS TO MATCH EXIST. GRASS AREA.
- CONSTRUCT AGGREGATE BASE RAMP 3" THICK (MIN.) AS SHOWN ON PLAN - MAX. SLOPE @ 12%.
- GRADE DIRT FILL MATERIAL AS DIRECTED BY ENGINEER.
- INSTALL 16' L.F. OF PIPE HAND RAIL PER DETAIL "A" SHOWN ON PLAN. BEGIN PIPE HAND RAIL @ STA. 3+58.
- ADJUST WATER GATE VALVE COVER TO GRADE.
- CONST. 0.25' A.C. OVER COMP. NATIVE MATERIAL.

Notes

- COMPLETED STEEL PIPE HAND RAILING UNIT SHALL BE GALV. AFTER ALL WELDING AND FABRICATION.
- HAND RAIL SHALL BE 2" STD. STEEL PIPE.



ENGINEER IN RESPONSIBLE CHARGE
HANS J. KAMRATH
R.C.E. 14712 expires 3/31/93
DATE 2/22/1990



CITY OF RIVERSIDE PUBLIC WORKS DEPARTMENT		ATLANTA STREET WIDENING @ SOUTHERN PACIFIC R.R. SPUR 7.1. = 7.0 CROSSING # BJ-544.5		ACCOUNT NO. 30-575-299-07 R-2473 SHEET ONE OF ONE
APPROVED BY [Signature] PUBLIC WORKS DIRECTOR	DATE 2/10/90	DESIGNED BY [Signature]	DRAWN BY [Signature]	CHECKED BY [Signature]