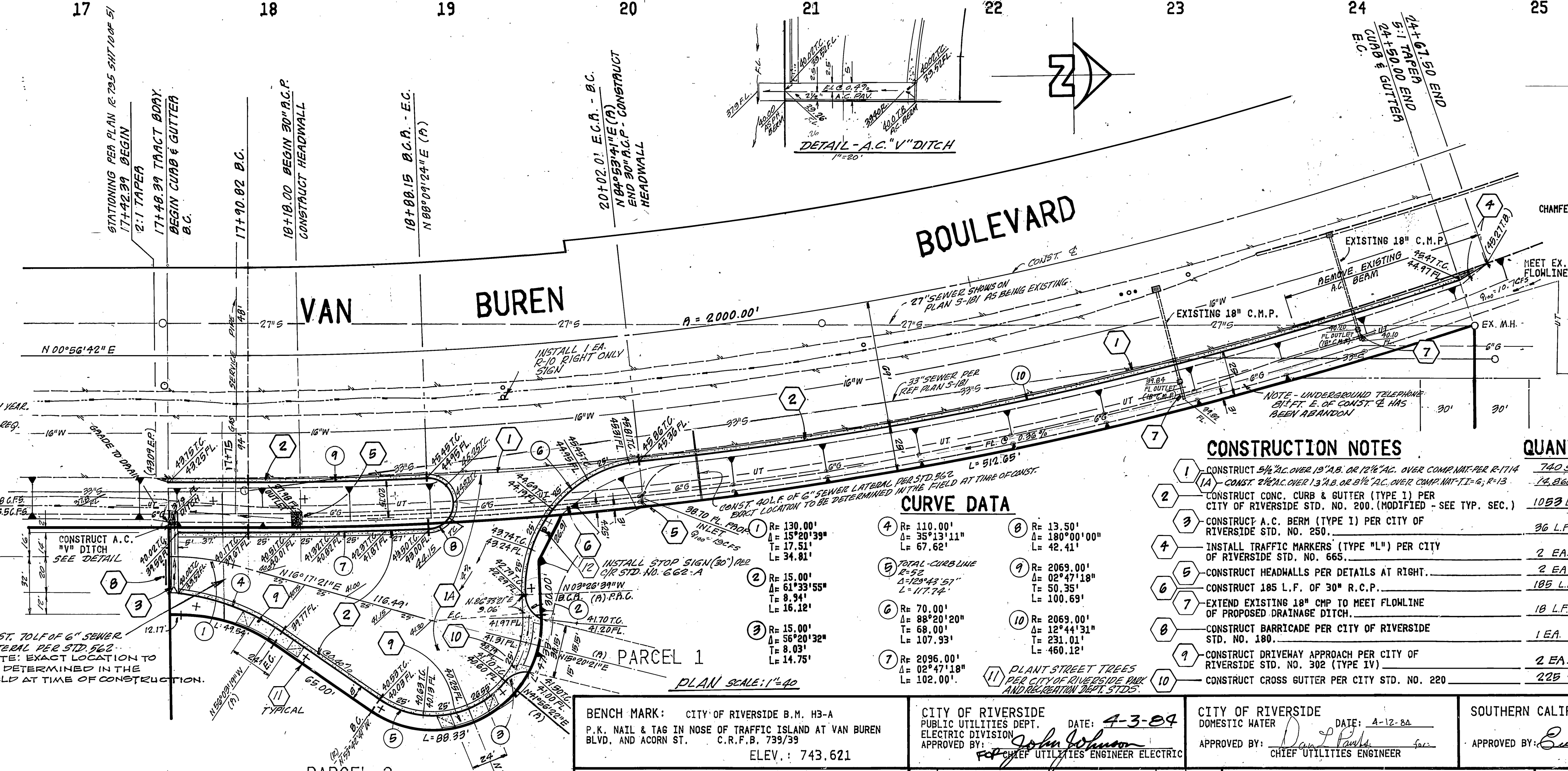
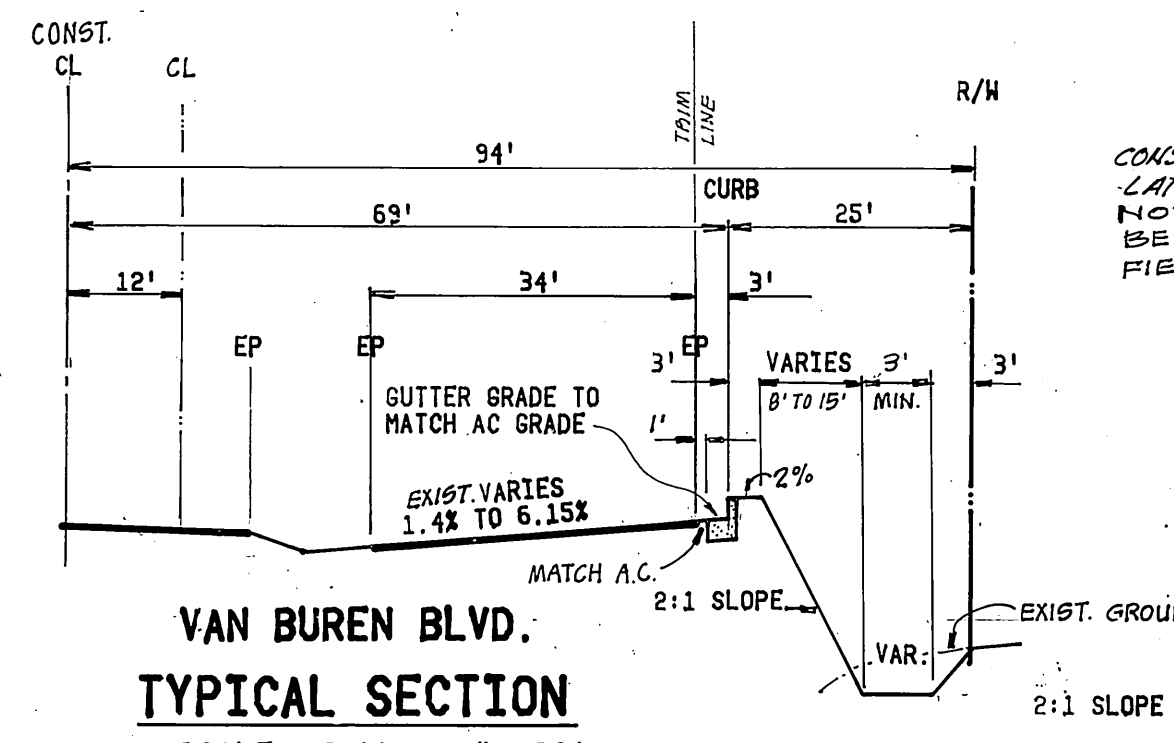


GENERAL NOTES

- QUANTITIES SHOWN ARE FOR INFORMATION ONLY AND THE CITY OF RIVERSIDE IS NOT RESPONSIBLE FOR THEIR ACCURACY.
- ANY TRAFFIC CONTROL STRIPING OBLITERATED AND/OR BADLY WORN DURING CONSTRUCTION SHALL BE RESTORED BY THE CONTRACTOR WITHIN FIVE DAYS AFTER NOTIFICATION FROM THE CITY INSPECTORS.
- BEFORE THE RIP RAP IS ACCEPTED, AS PLACED, AT THE OUTLET OF ANY DRAINAGE STRUCTURE, IT SHALL BE TESTED UNDER FLOWS AS CLOSE AS POSSIBLE TO DESIGN CONDITIONS WITH WATER OBTAINED FROM FIRE HYDRANTS IN THE IMMEDIATE AREA.
- THE CONTRACTOR SHALL CALL IN A LOCATION REQUEST TO UNDERGROUND SERVICE ALERT (USA), PH. NO. 1-800-422-4133, TWO WORKING DAYS BEFORE DIGGING. NO CONSTRUCTION PERMIT WILL BE ISSUED BY THE PUBLIC WORKS DEPARTMENT INVOLVING EXCAVATION FOR UNDERGROUND FACILITIES UNLESS THE APPLICANT HAS BEEN PROVIDED AN INQUIRY IDENTIFICATION NUMBER BY U.S.A.
- THE PRIVATE ENGINEER PREPARING THESE PLANS SHALL BE RESPONSIBLE FOR PRESERVING OR RE-ESTABLISHING AND REFERENCING SURVEY MONUMENTS DESTROYED, DISTURBED OR BURIED AS A RESULT OF CONSTRUCTION SHOWN HEREON.
- ON ALL AREAS WITHIN PUBLIC RIGHT OF WAY WHERE THE FILL IS ONE (1) FOOT OR GREATER, A LETTER WILL BE REQUIRED FROM THE SOILS ENGINEER, CERTIFYING THE COMPACTION OF THE FILL, BELOW SUBGRADE, PRIOR TO ISSUANCE OF THE CONSTRUCTION PERMIT/CUT SHEETS.
- IT SHALL BE THE RESPONSIBILITY OF THE CONTRACTOR TO CLEAR THE RIGHT OF WAY IN ACCORDANCE WITH THE PROVISIONS OF LAW AS IT AFFECTS EACH UTILITY INCLUDING IRRIGATION LINES AND APPURTENANCES AND AT NO COST TO THE CITY.
- CONSTRUCTION SHALL BE IN ACCORDANCE WITH THE CITY OF RIVERSIDE DEPARTMENT OF PUBLIC WORKS, STANDARD DRAWINGS, AND STANDARD SPECIFICATIONS FOR PUBLIC WORKS CONSTRUCTION, 1982 EDITION.
- TRIM EDGE OF EXISTING PAVEMENT WHERE NEW PAVEMENT JOINS TO SMOOTH STRAIGHT LINE, CONSTRUCT MATCH UP PAVING AS SHOWN ON PLANS.
- CURB AND GUTTERS TO BE STAKED WITH 3' OFFSETS AT 25' STATIONS.
- ALL FLAGGED ELEVATIONS SHALL BE STAKED IN THE FIELD BY THE PRIVATE ENGINEER.
- ALL RELATED WORK SHALL CONFORM TO THE CITY OF RIVERSIDE, PARKS AND RECREATION DEPARTMENT STANDARDS.
- CONTACT THE PARK PROJECTS INSPECTOR A MINIMUM OF 48 HOURS IN ADVANCE AT 787-7223 TO SCHEDULE INSPECTIONS. INSPECTIONS SHALL BE REQUIRED: (A) WHEN PLANT LOCATIONS HAVE BEEN SPOTTED IN THE FIELD PRIOR TO DIGGING PLANT PITS, (B) WHILE DIGGING PLANT PITS AND PLANTING/RELOCATING TREES, (C) AFTER PLANTING AND ALL OTHER INDICATED OR SPECIFIED WORK HAS BEEN COMPLETED FOR START OF MAINTENANCE AND, (D) AT THE END OF MAINTENANCE. FINAL ACCEPTANCE (CONTRACTOR/DEVELOPER WILL BE RELEASED FROM MAINTENANCE ONLY UPON RECEIPT OF WRITTEN NOTIFICATION FROM THE CITY THAT THE PARKS AND RECREATION DEPARTMENT IS ASSUMING MAINTENANCE RESPONSIBILITIES).
- THE CONTRACTOR/DEVELOPER SHALL MAINTAIN ALL PLANTINGS FOR A MINIMUM PERIOD OF 1 YEAR.
- STREET TREES SHALL BE AS FOLLOWS:
VAN BUREN BLVD. - PLANTING SPECIFICATIONS - 15 GAL. AT 30' SPACING, 3 PER 25'.
- CURB AND GUTTER SHALL BE STAKED WITH 3' OFFSETS AT 12.5' INTERVALS AND TWO ROWS OF NUMBER 3 RE-BAR SHALL BE PLACED IN GUTTER WHERE GRADE IS LESS THAN 0.40%. PLACE 3/4" DONEL PINS AT ALL EXPANSION JOINTS.
- LOCATION OF LATERALS TO BE DETERMINED IN THE FIELD AT THE DIRECTION OF THE OWNER, AVOID CONFLICT WITH PROPOSED AND/OR EXISTING FACILITIES.
- NO FINISHED FLOOR ELEVATION SHALL BE LESS THAN 4' ABOVE THE SENIOR FLOW LINE AT POINT OF CONNECTION WITHOUT HAVING A PROPER BACKWATER VALVE INSTALLED IN THE LATERAL.

Underground Service Alert
Call: TOLL FREE
1-800-422-4133
TWO WORKING DAYS BEFORE YOU DIG

PROFILE
SCALE: HORIZ. = 1" = 40'
VERT. = 1" = 4'



CURVE DATA

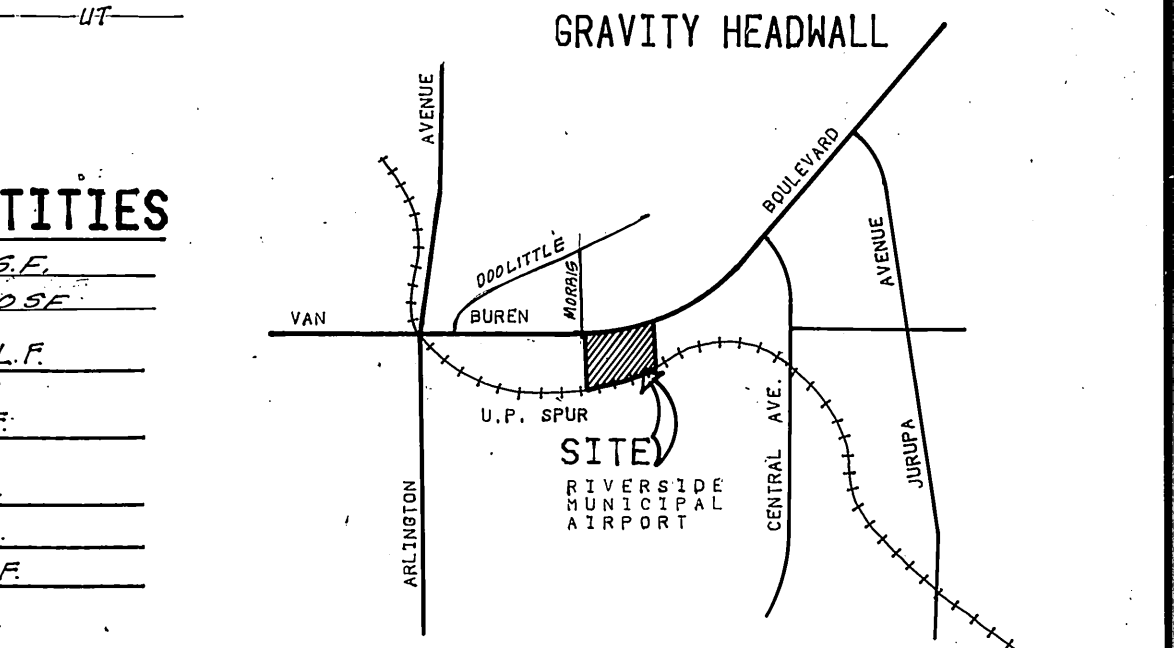
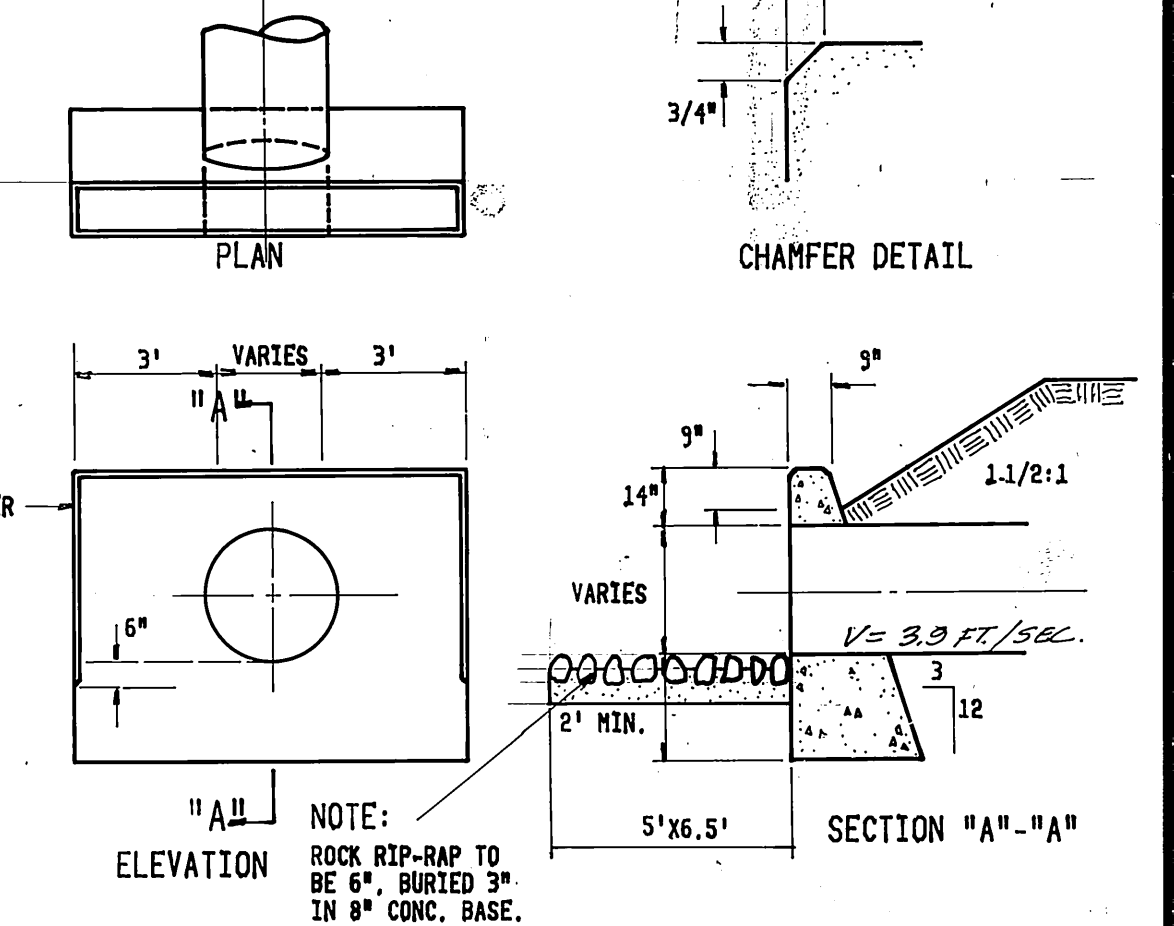
- | | | | | | | | |
|---|------------------------------|--------------|------------|----|-------------|---------------|------------|
| 1 | R= 130.00' | Δ= 35°13'11" | L= 67.62' | 3 | R= 70.00' | Δ= 88°20'20" | L= 107.93' |
| 2 | R= 15.00' | Δ= 61°33'55" | L= 8.94' | 4 | R= 15.00' | Δ= 56°20'32" | L= 8.00' |
| 3 | R= 15.00' | Δ= 56°20'32" | L= 8.00' | 5 | R= 15.00' | Δ= 14.75' | L= 14.75' |
| 4 | R= 130.00' | Δ= 35°13'11" | L= 67.62' | 6 | R= 130.00' | Δ= 180°00'00" | L= 42.41' |
| 5 | TOTAL CURVE LENGTH = 117.12' | | | 7 | R= 2069.00' | Δ= 02°47'18" | L= 50.35' |
| 6 | R= 70.00' | Δ= 88°20'20" | L= 107.93' | 8 | R= 2069.00' | Δ= 12°44'31" | L= 231.01' |
| 7 | R= 15.00' | Δ= 56°20'32" | L= 8.00' | 9 | R= 2096.00' | Δ= 02°47'18" | L= 460.12' |
| 8 | R= 15.00' | Δ= 56°20'32" | L= 8.00' | 10 | R= 2096.00' | Δ= 02°47'18" | L= 102.00' |

CONSTRUCTION NOTES

- CONSTRUCT 5/8" R.C.P. OVER 18" A.C. OR 24" A.C. OVER COMP. MAT. PER R.114
- CONSTRUCT CONC. CURB & GUTTER (TYPE 1) PER CITY OF RIVERSIDE STD. NO. 200 (MODIFIED - SEE TYP. SEC.)
- CONSTRUCT A.C. BERM (TYPE 1) PER CITY OF RIVERSIDE STD. NO. 250.
- INSTALL TRAFFIC MARKERS (TYPE "1") PER CITY OF RIVERSIDE STD. NO. 665.
- CONSTRUCT HEADWALLS PER DETAILS AT RIGHT.
- CONSTRUCT 185 L.F. OF 30" R.C.P.
- EXTEND EXISTING 18" CMP TO MEET FLOWLINE OF PROPOSED DRAINAGE DITCH.
- CONSTRUCT BARRICADE PER CITY OF RIVERSIDE STD. NO. 180.
- CONSTRUCT DRIVEWAY APPROACH PER CITY OF RIVERSIDE STD. NO. 302 (TYPE IV)
- CONSTRUCT CROSS GUTTER PER CITY STD. NO. 220

QUANTITIES

| | |
|----|-------------|
| 1 | 740 S.F. |
| 2 | 16,860 S.F. |
| 3 | 1059 L.F. |
| 4 | 36 L.F. |
| 5 | 2 EA. |
| 6 | 185 L.F. |
| 7 | 18 L.F. |
| 8 | 1 EA. |
| 9 | 2 EA. |
| 10 | 229 S.F. |



| | | | | | | | | | | | |
|--|--|---|--|---|--|---|--|--|--|--|--|
| <p>BENCH MARK: CITY OF RIVERSIDE B.M. H3-A P.K. NAIL & TAG IN NOSE OF TRAFFIC ISLAND AT VAN BUREN BLVD. AND ACORN ST. C.R.F.B. 739/39 ELEV.: 743.621</p> | | <p>CITY OF RIVERSIDE PUBLIC UTILITIES DEPT. ELECTRIC DIVISION APPROVED BY: <i>John Johnson</i> DATE: 4-3-84 CHIEF UTILITIES ENGINEER ELECTRIC</p> | | <p>CITY OF RIVERSIDE DOMESTIC WATER DATE: 4-12-84 APPROVED BY: <i>Dan L. Davis</i> CHIEF UTILITIES ENGINEER</p> | | <p>SOUTHERN CALIFORNIA GAS DATE: 3-30-84 APPROVED BY: <i>Eugene P. Nadeau</i></p> | | <p>PACIFIC TELEPHONE DATE: 4/3/84 APPROVED BY: <i>P. D. ...</i></p> | | | |
| <p>HAWKINS, ROBERTSON AND ASSOC. ENGINEERS AND SURVEYORS 3764 ELIZABETH STREET RIVERSIDE, CALIFORNIA 92506 PHONE: (714) 684-9522 <i>Charles E. Robertson</i> 2-3-84 CHARLES E. ROBERTSON R.C.E. 15016</p> | | | | <p>CITY OF RIVERSIDE, CALIFORNIA PUBLIC WORKS DEPARTMENT</p> | | | | <p>STREET PLAN AND PROFILE VAN BUREN BOULEVARD PARCEL MAP NO. 19703</p> | | | |
| <p>APPROVED BY: <i>John Johnson</i> DATE: 4/3/84 DIRECTOR OF PUBLIC WORKS</p> | | | | <p>APPROVED BY: <i>Eugene P. Nadeau</i> DATE: 6/6/84</p> | | | | <p>ACCOUNT NO. _____ DRAWING NUMBER R-2584 SHEET 1 OF 1 84-3481</p> | | | |

THE PRIVATE ENGINEER SIGNING THESE PLANS IS RESPONSIBLE FOR ASSURING THE ACCURACY AND ACCEPTABILITY OF THE WORK HEREON, IN THE EVENT OF DISCREPANCIES ARISING DURING CONSTRUCTION, THE PRIVATE ENGINEER SHALL BE RESPONSIBLE FOR DETERMINING AN ACCEPTABLE SOLUTION AND REVISING THE PLANS FOR APPROVAL BY THE CITY.

TC-1458