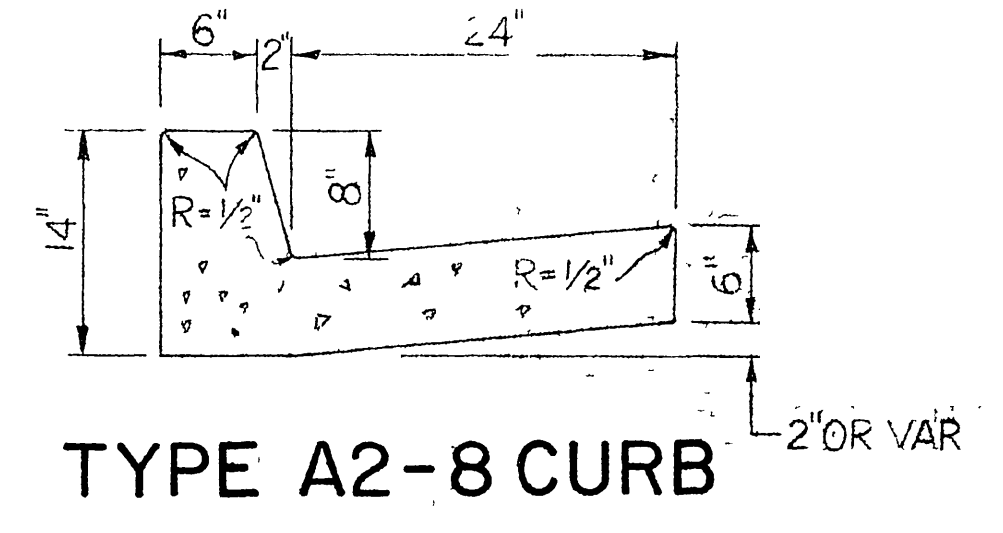
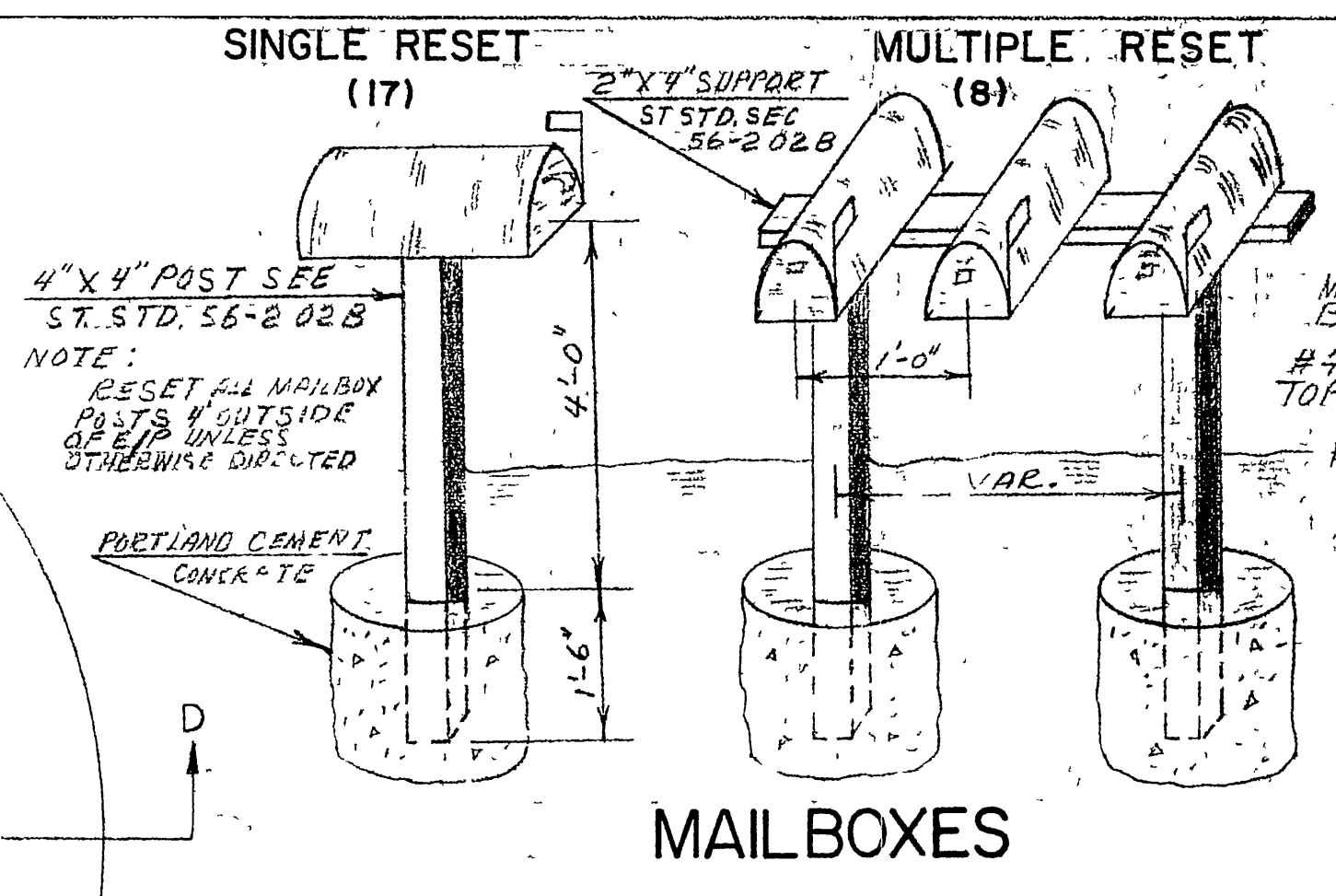
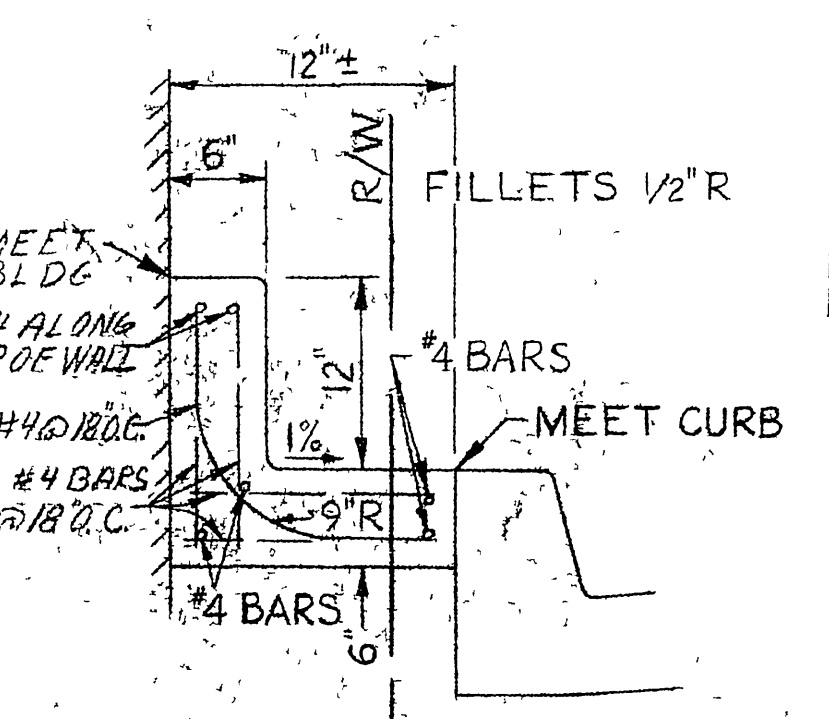


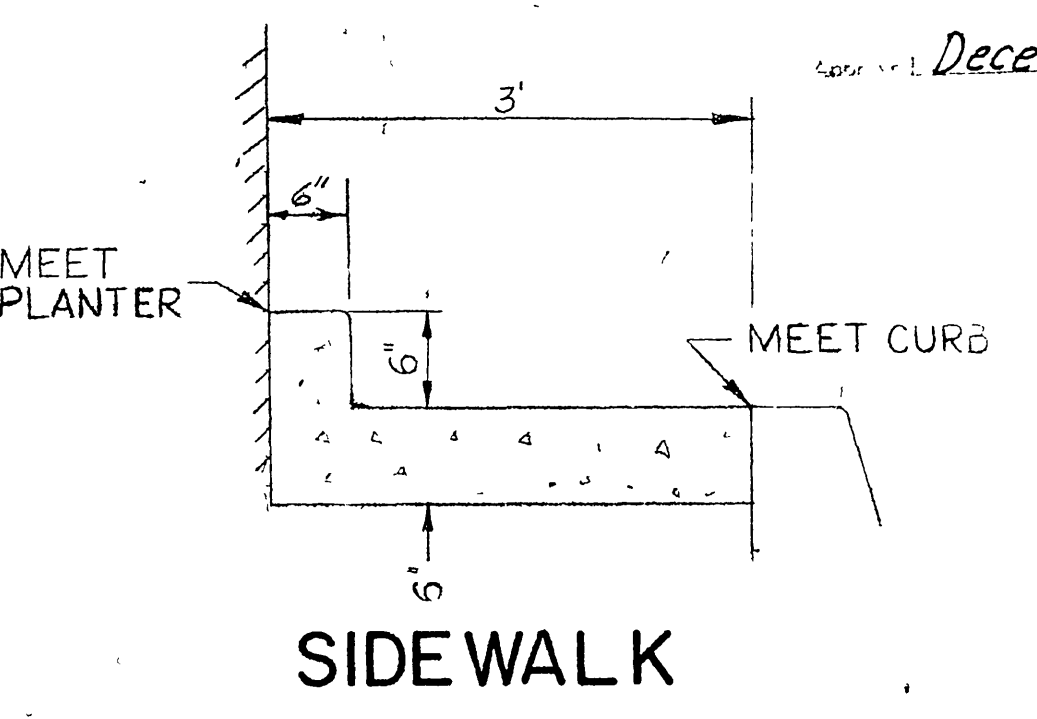
**DETAILS OF PAVED APRON AROUND GMPS**  
 SEE STD PLANS FOR GMP DETAILS



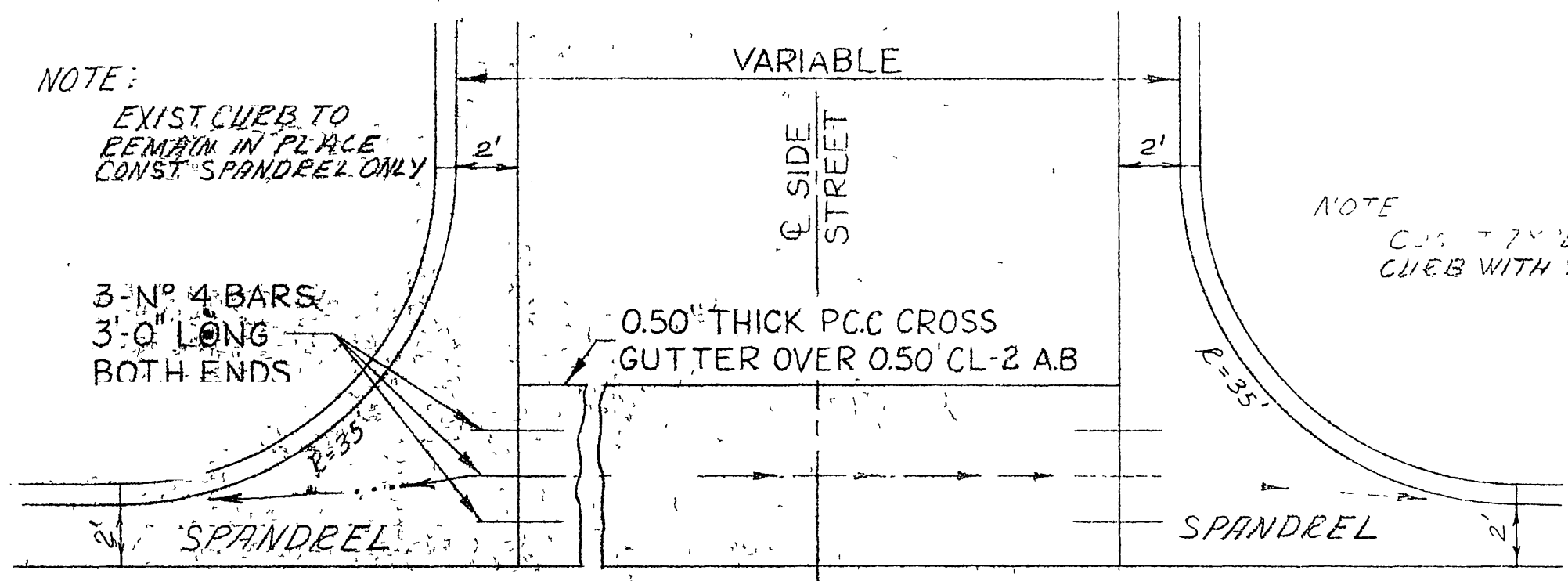
**TYPE A2-8 CURB**  
 2' OR VAR



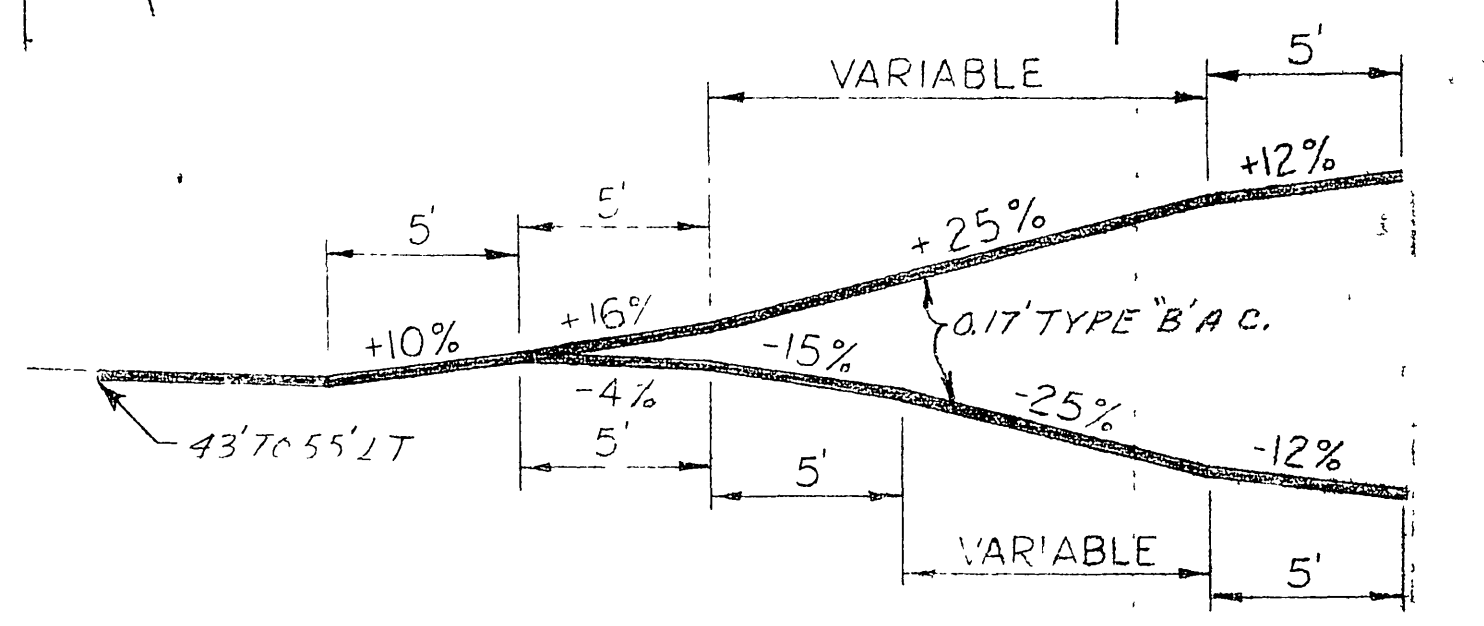
**RETAINING LEDGE**  
 STA. 16+85± TO STA. 17+15±



**SIDEWALK**

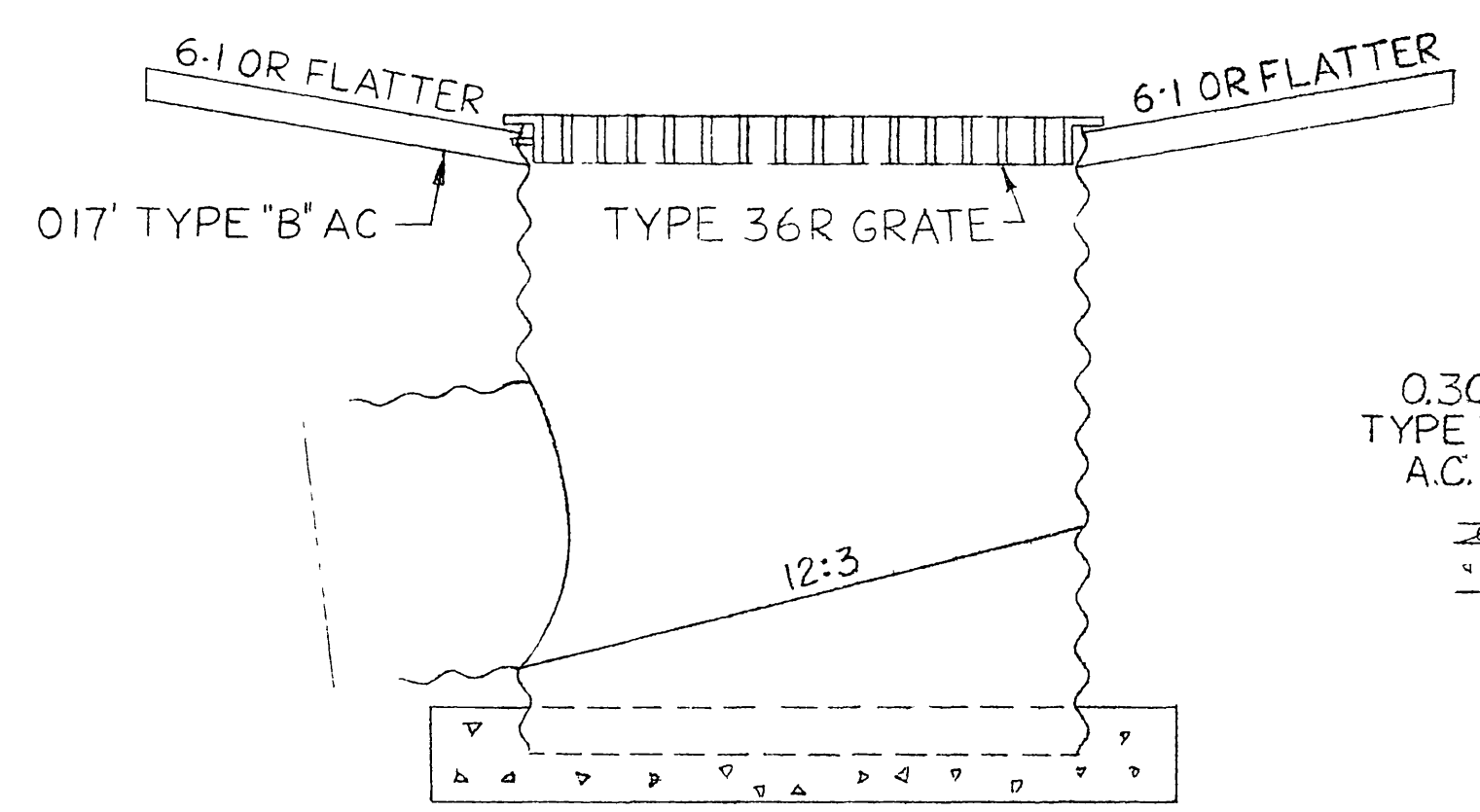


**TYPICAL CROSS GUTTER ELSWORTH**  
 SEE INTERSECTION DETAILS



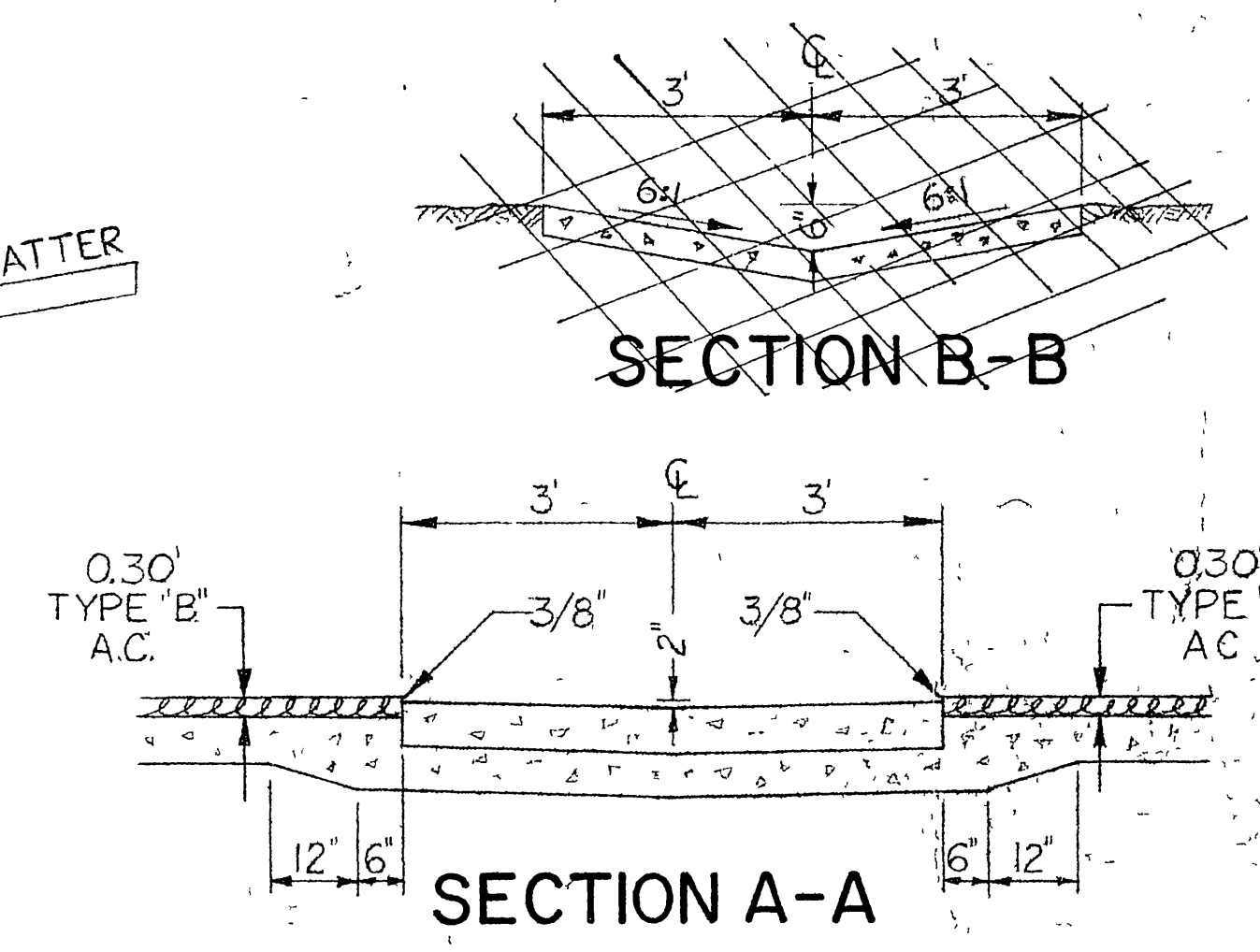
**SECTION E-E**

**PLAN TYPICAL SINGLE DRIVEWAY**



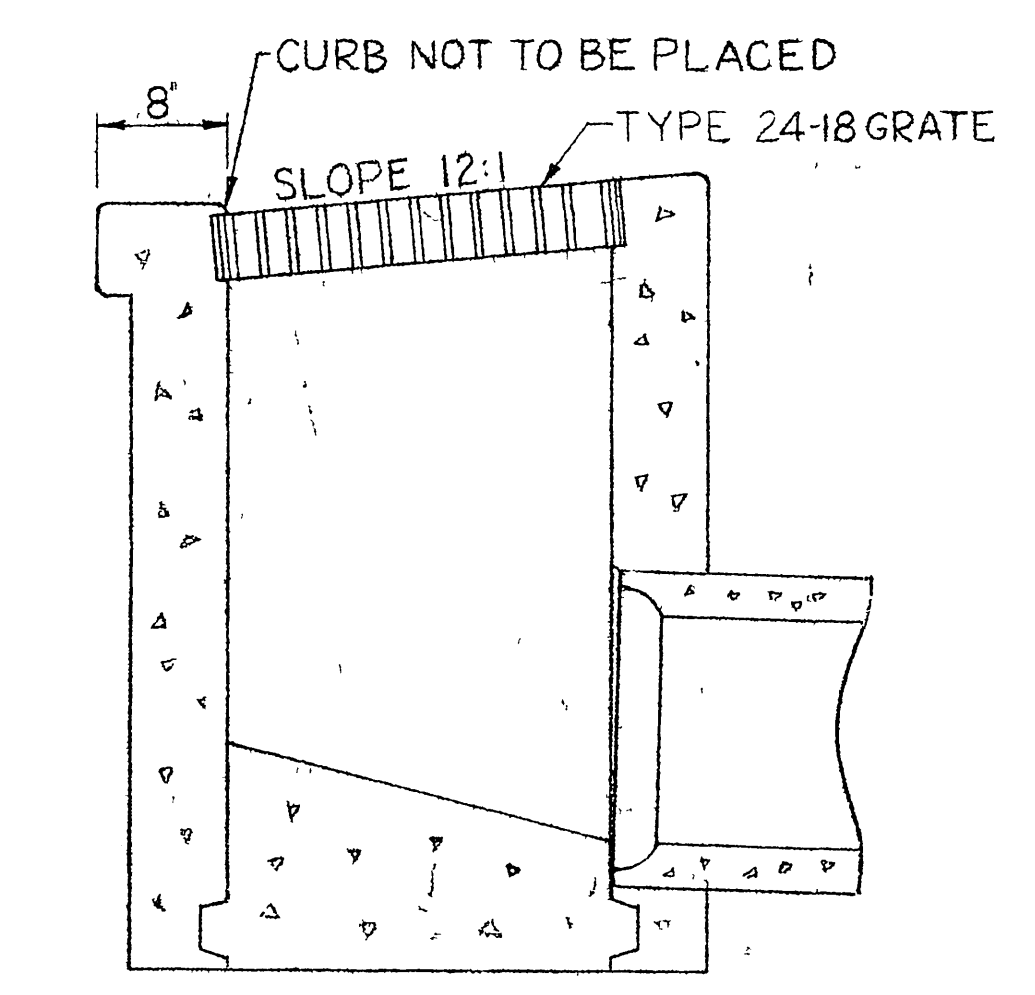
**SECTION D-D**

**MODIFIED TYPE GT 3**  
 SEE STD. PLANS FOR GT 3 DETAILS  
 STA 29+53  
 (LOCATION "A")

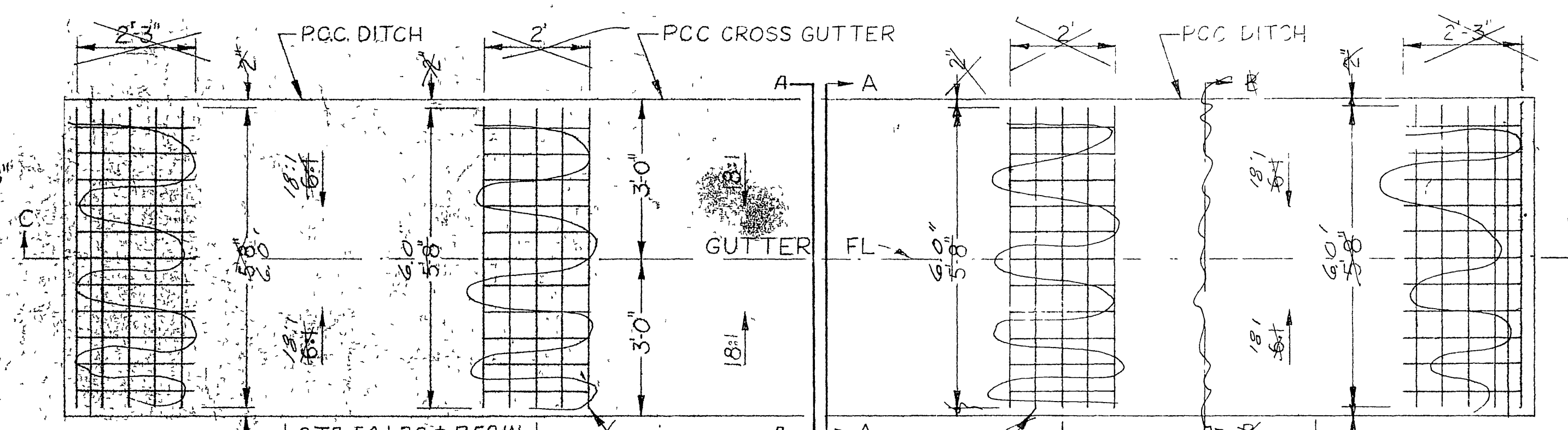


**SECTION A-A**

**SECTION B-B**

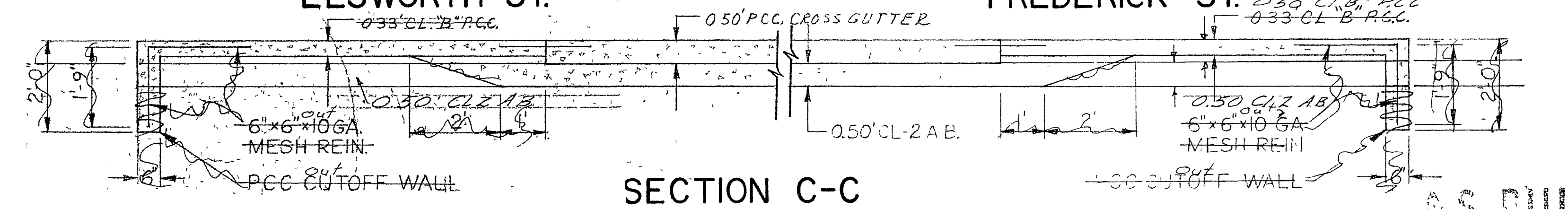


**MODIFIED TYPE GT 3**  
 SEE STD. PLANS FOR GT 3 DETAILS  
 STA. 44+21.38, STA. 48+50  
 (LOCATION "B")



**TYPICAL PLAN OF PAVED CROSS GUTTER AT ELSWORTH ST.**

**TYPICAL PLAN OF PAVED CROSS GUTTER AT FREDERICK ST.**



**SECTION C-C**

**NOTE:**  
 LENGTH & ALIGNMENT OF GUTTER AND CROSS GUTTER VARIABLE - SEE INTERSECTION DETAILS

**NOTE:**  
 INSTALL WEAKER #11-10 CEMENTS ALONG P.C.C. GUTTER EVERY 10' OR AS DIRECTED BY ENGR

**MISC CONST. & DRAINAGE DETAILS**  
 SCALE AS SHOWN OR NO SCALE



**CROSS SECTIONS**

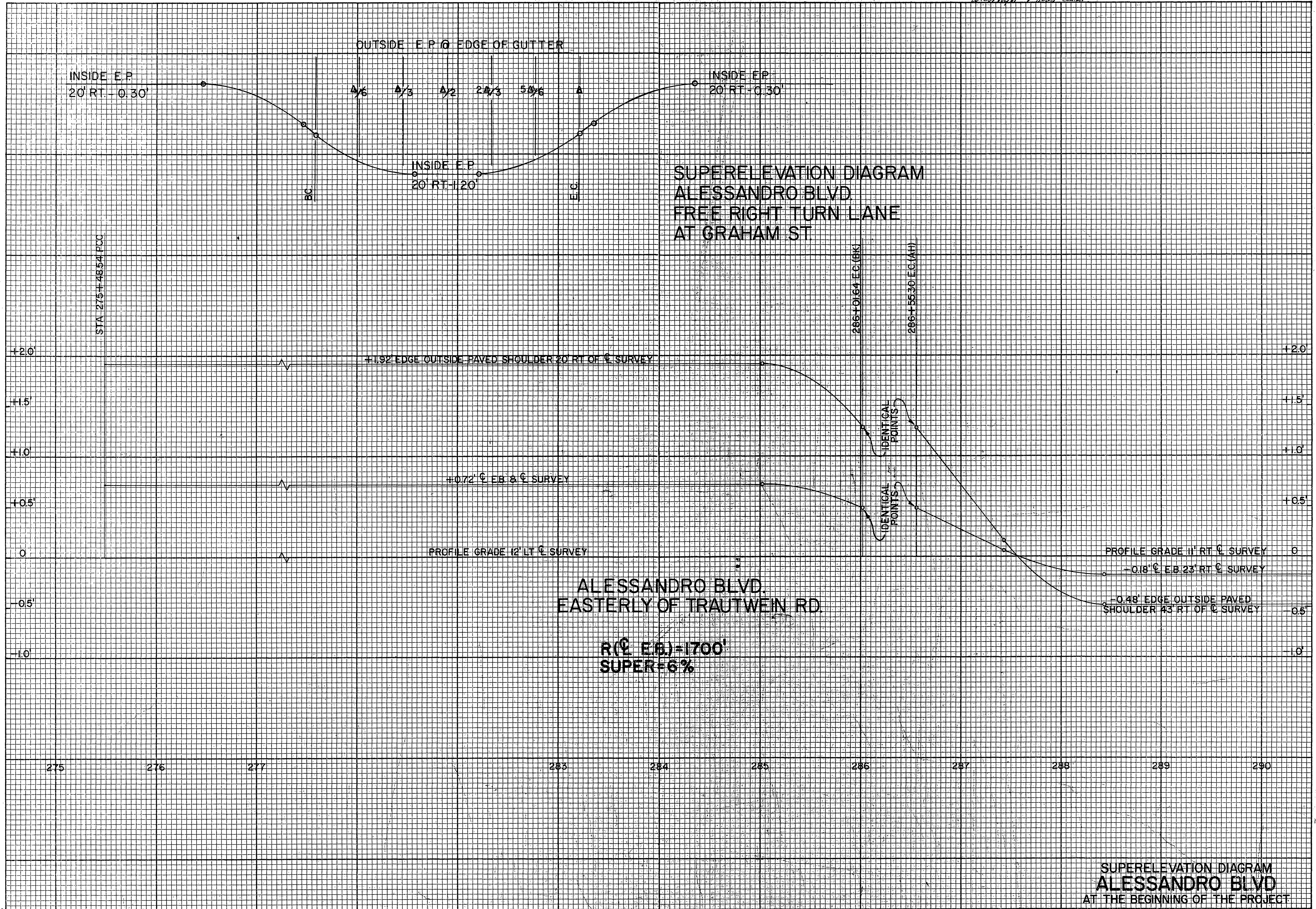
Scale: 1 Inch = 50 feet hor.  
 = 5 feet Vert

Approved December 11, 1972

*A. D. Russell*  
 Highway Engineer

TEMPLER  
 PLOTTED BY: \_\_\_\_\_ DATE: \_\_\_\_\_  
 CHECKED BY: \_\_\_\_\_ DATE: \_\_\_\_\_  
 PLANNED BY: \_\_\_\_\_ DATE: \_\_\_\_\_  
 INKED BY: \_\_\_\_\_ DATE: \_\_\_\_\_

GROUND  
 SURVEYED BY: \_\_\_\_\_ DATE: \_\_\_\_\_  
 FIELD BOOK NO. \_\_\_\_\_

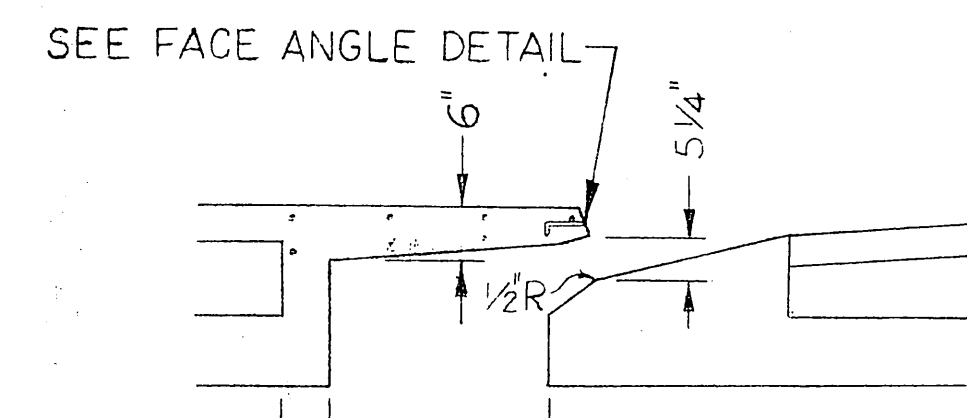
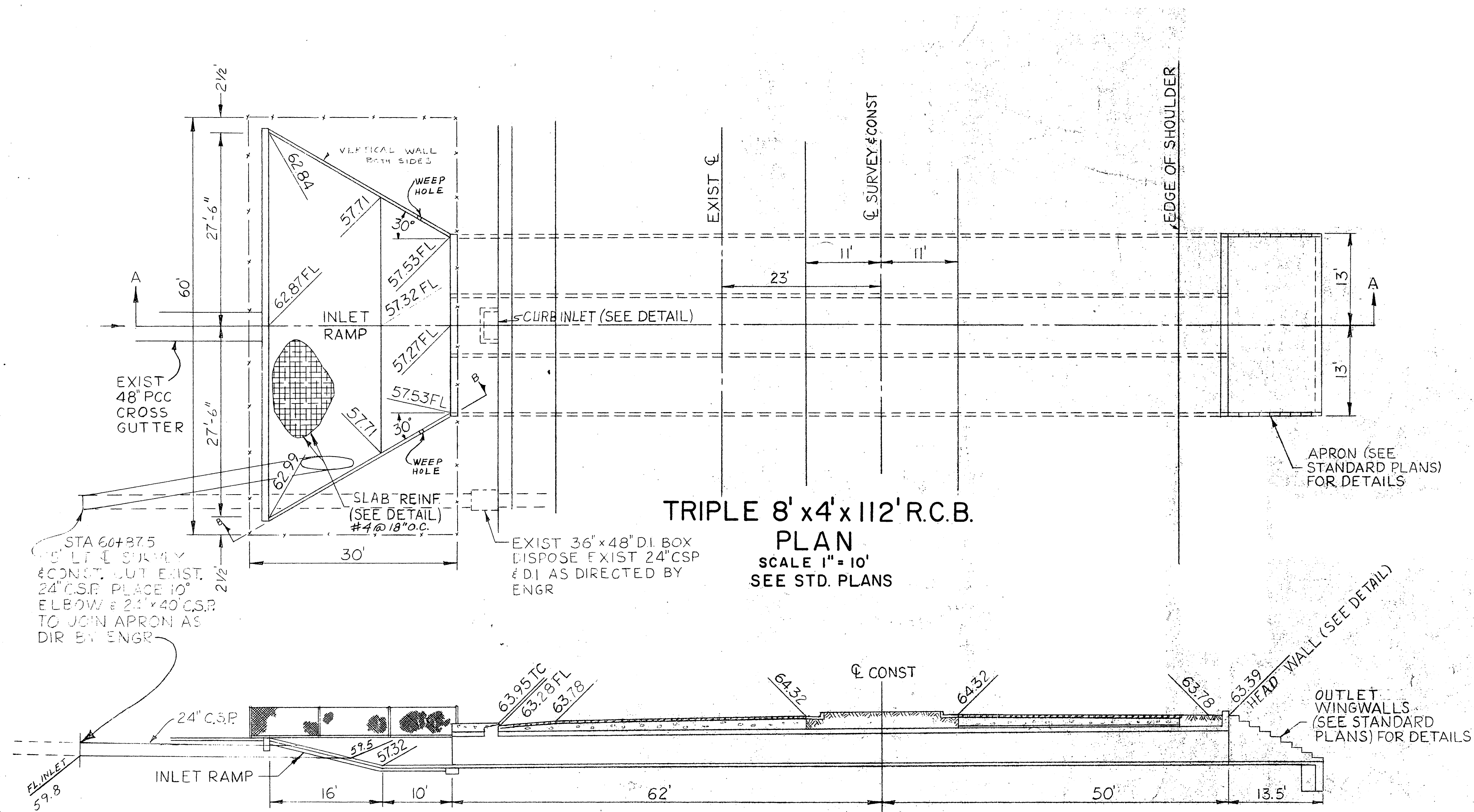


SUPERELEVATION DIAGRAM  
 ALESSANDRO BLVD  
 AT THE BEGINNING OF THE PROJECT

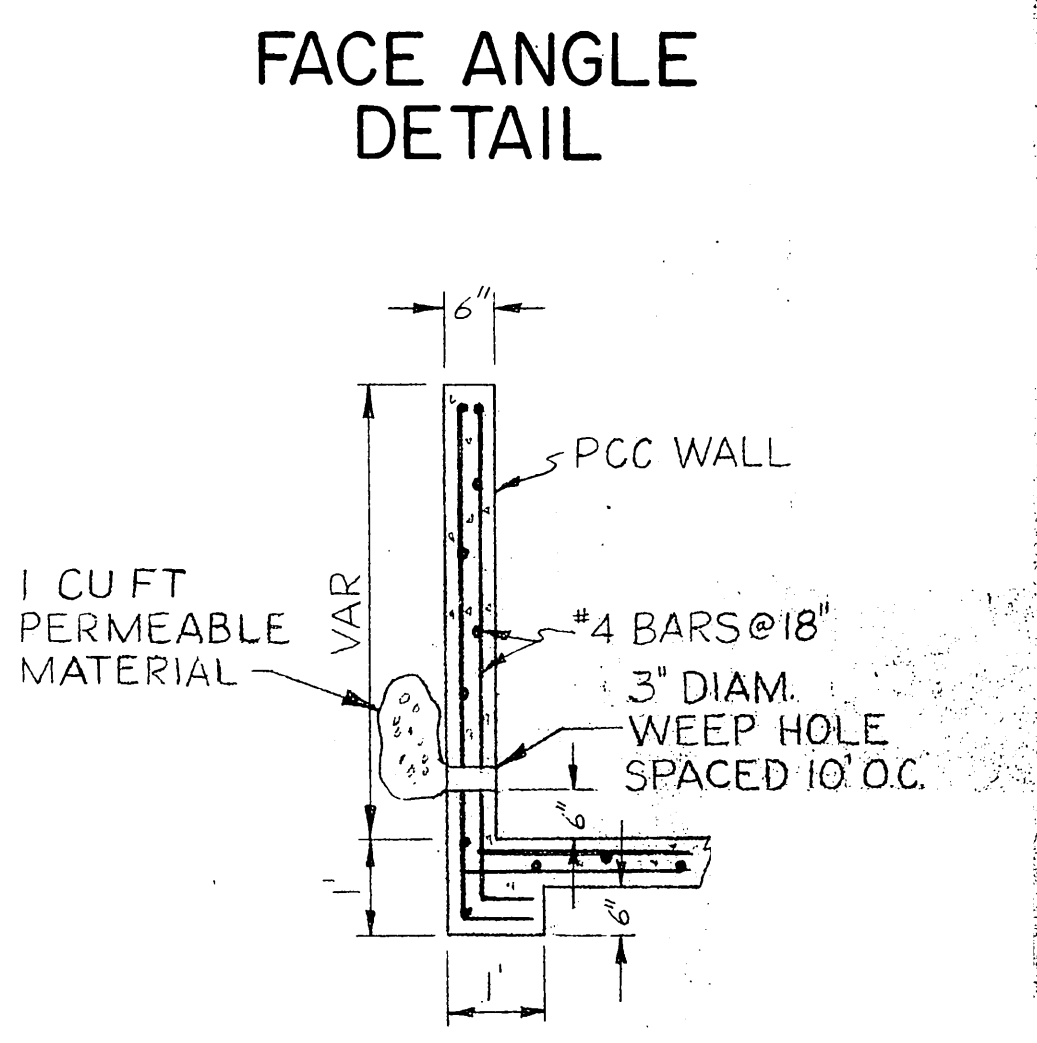
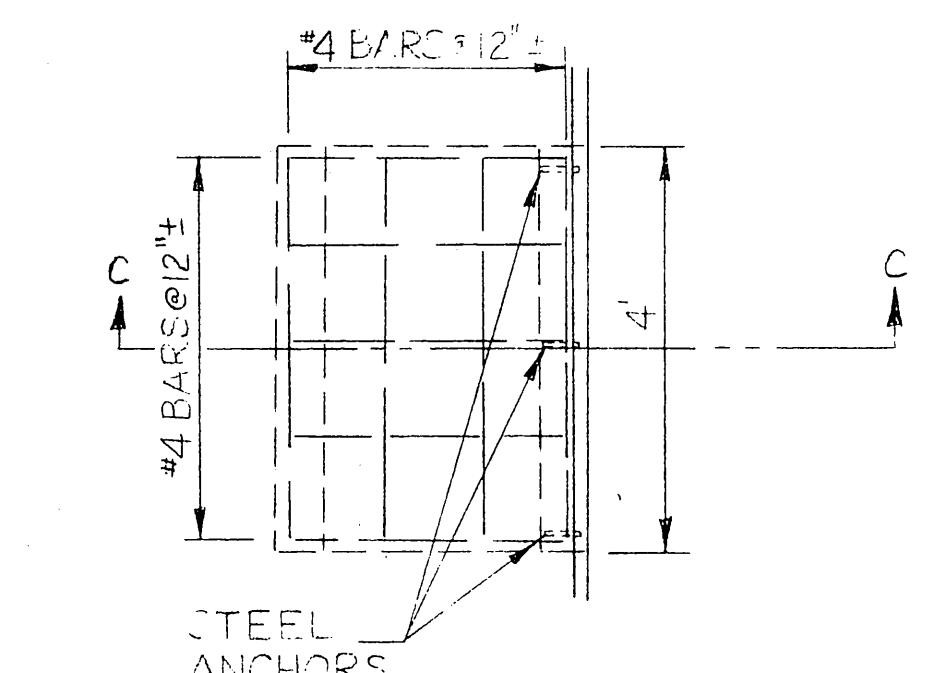
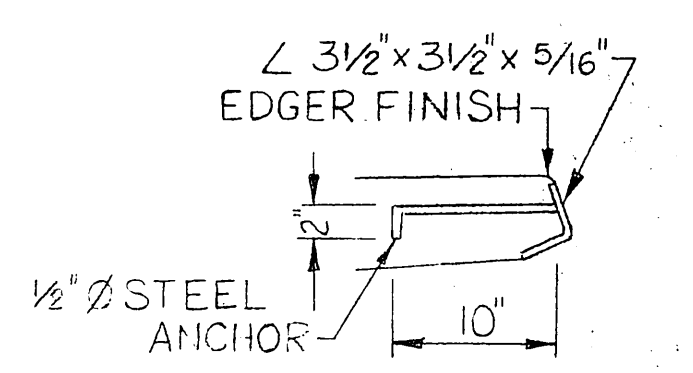
CHILTON  
 No. 100000000 THIS SHEET



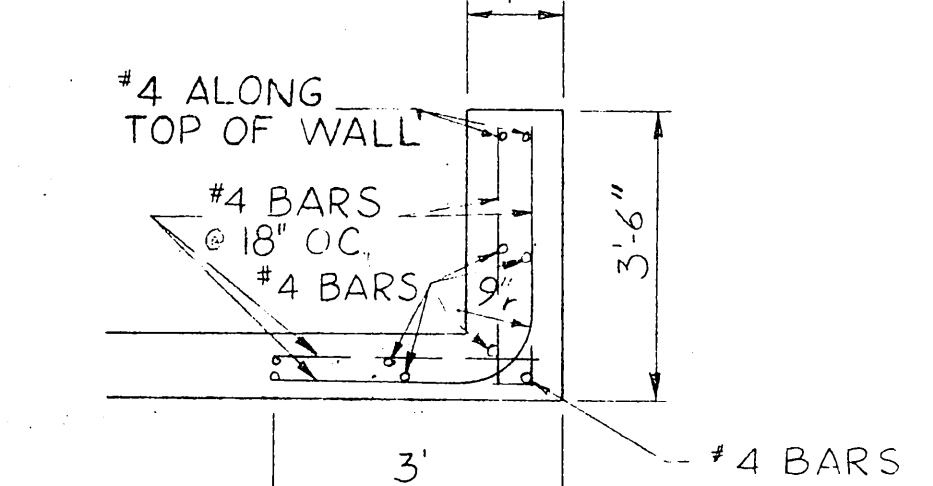
December 11, 1972



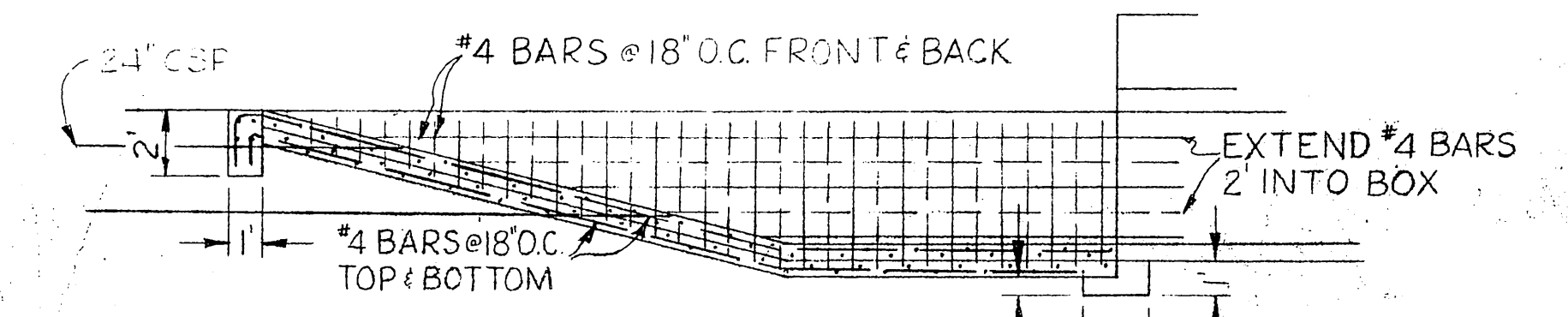
SECTION C-C



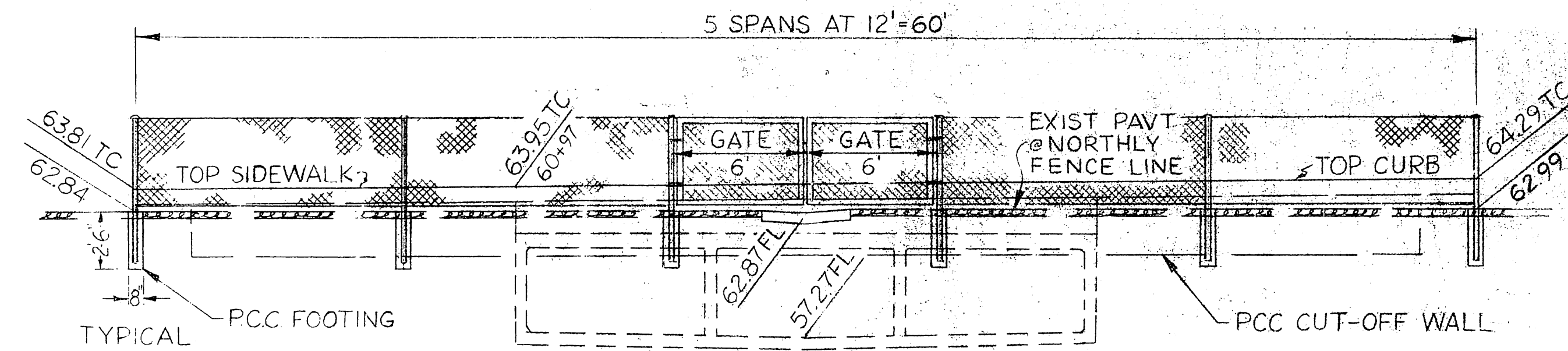
PLAN DETAIL CURB INLET OPENING



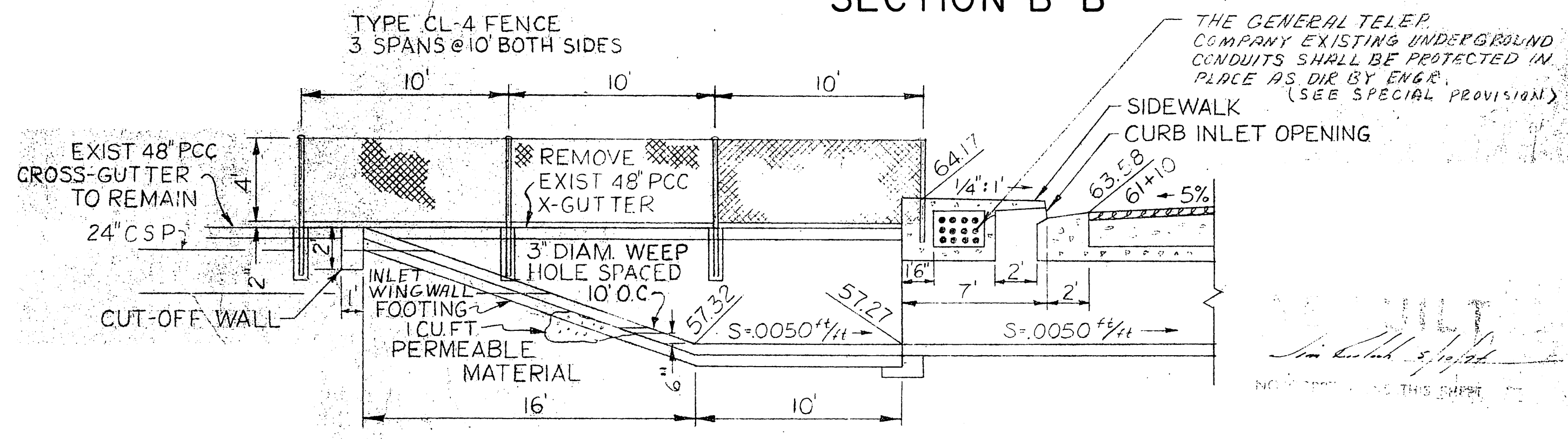
HEADWALL DETAIL



SECTION B-B



FRONT ELEVATION OF INLET RAMP



SIDE ELEVATION OF INLET RAMP

NOTE: STRUCTURAL DETAILS AS PER STATE STANDARDS.

TRIPLE 8' X 4' X 112' R.C.B.  
 DRAINAGE DETAILS STA. 61+10  
 SCALE AS SHOWN OR NO SCALE

R-2680