

GENERAL NOTES :

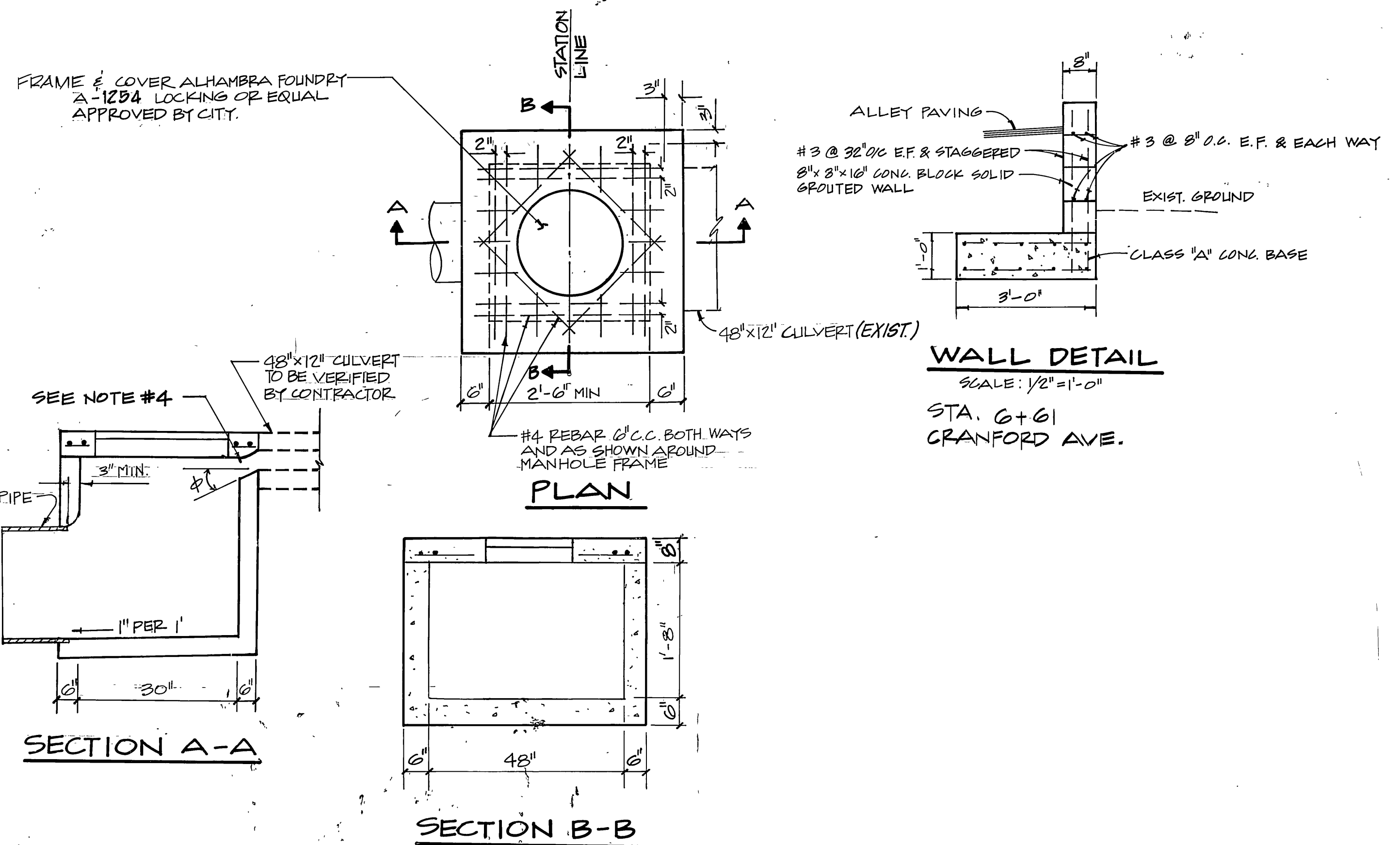
- IT SHALL BE THE RESPONSIBILITY OF THE CONTRACTOR TO CLEAR THE RIGHT OF WAY IN ACCORDANCE WITH THE PROVISIONS OF LAW AS IT AFFECTS EACH UTILITY INCLUDING IRRIGATION LINES AND APPURTENANCES AND AT NO COST TO THE CITY.
- CONSTRUCTION SHALL BE IN ACCORDANCE WITH THE CITY OF RIVERSIDE DEPARTMENT OF PUBLIC WORKS, STANDARD DRAWINGS, AND THE STANDARD SPECIFICATIONS FOR PUBLIC WORKS CONSTRUCTION, CURRENT EDITION.
- THE PRIVATE ENGINEER SIGNING THESE PLANS IS RESPONSIBLE FOR ASSURING THE ACCURACY AND ACCEPTABILITY OF THE WORK HEREON. IN THE EVENT OF DISCREPANCIES ARISING DURING CONSTRUCTION, THE PRIVATE ENGINEER SHALL BE RESPONSIBLE FOR DETERMINING AN ACCEPTABLE SOLUTION AND REVISING THE PLANS FOR APPROVAL BY THE CITY.
- QUANTITIES SHOWN ARE FOR INFORMATION ONLY AND THE CITY OF RIVERSIDE IS NOT RESPONSIBLE FOR THEIR ACCURACY.
- THE CONTRACTOR SHALL BE RESPONSIBLE FOR PRESERVING OR RE-ESTABLISHING AND REFERENCING SURVEY MONUMENTS DESTROYED, DISTURBED OR BURIED AS A RESULT OF CONSTRUCTION SHOWN HEREON.
- ALL FLAGGED ELEVATIONS SHALL BE STAKED IN THE FIELD BY THE PRIVATE ENGINEER.
- TRIM EDGE OF EXISTING PAVEMENT WHERE NEW PAVEMENT JOINS TO A SMOOTH, STRAIGHT LINE CONSTRUCT MATCH-UP PAVING AS SHOWN ON PLAN AND OVERLAY PAVING AS DIRECTED IN THE FIELD TO PRODUCE A SMOOTH SECTION.
- ON ALL AREAS WITHIN PUBLIC RIGHT OF WAY WHERE THE FILL IS ONE (1) FOOT OR GREATER, A LETTER WILL BE REQUIRED FROM THE SOILS ENGINEER, CERTIFYING THE COMPACTION OF THE FILL BELOW SUBGRADE, PRIOR TO ISSUANCE OF THE CONSTRUCTION PERMIT/CUT SHEETS.
- ANY TRAFFIC CONTROL STRIPING OBLITERATED AND/OR BADLY WORN DURING CONSTRUCTION SHALL BE RESTORED BY THE CONTRACTOR WITHIN FIVE DAYS AFTER NOTIFICATION FROM THE CITY INSPECTORS.
- FINAL STRIPING FOR TRAFFIC CONTROL AND/OR PAVEMENT MARKING TO BE THE RESPONSIBILITY OF THE DEVELOPER.
- THE CONTRACTOR SHALL CALL IN A LOCATION REQUEST TO UNDERGROUND SERVICE ALERT (USA), PHONE NO. 1-800-422-4133, TWO WORKING DAYS BEFORE DIGGING. NO CONSTRUCTION PERMIT WILL BE ISSUED BY THE PUBLIC WORKS DEPARTMENT INVOLVING EXCAVATION FOR UNDERGROUND FACILITIES UNLESS THE APPLICANT HAS BEEN PROVIDED AN INQUIRY IDENTIFICATION NUMBER BY U.S.A.
- CONTRACTOR TO GIVE RCFC 5 DAYS' WRITTEN NOTICE PRIOR TO STARTING WORK ON STORM DRAIN (OR DOING ANY WORK WITHIN RCFC EASEMENTS). RCFC ENCROACHMENT PERMIT NO. 1-0-222-1210.
- ALL RELATED WORK SHALL CONFORM TO THE CITY OF RIVERSIDE, PARK AND RECREATION DEPARTMENT STANDARDS.
- CONTACT THE PARK PROJECTS INSPECTOR A MINIMUM OF 48 HOURS IN ADVANCE AT 787-7223 TO SCHEDULE INSPECTIONS. INSPECTIONS SHALL BE REQUIRED:
 - WHEN PLANT LOCATIONS HAVE BEEN SPOTTED IN THE FIELD PRIOR TO DIGGING PLANT PITS.
 - WHILE DIGGING PLANT PITS AND PLANTING/RELOCATING TREES.
 - AFTER PLANTING AND ALL OTHER INDICATED OR SPECIFIED WORK HAS BEEN COMPLETED FOR START OF MAINTENANCE.
 - AT END OF MAINTENANCE/FINAL ACCEPTANCE (CONTRACTOR/DEVELOPER WILL BE RELEASED FROM MAINTENANCE ONLY UPON RECEIPT OF WRITTEN NOTIFICATION FROM THE CITY THAT THE PARK AND RECREATION DEPARTMENT IS ASSUMING MAINTENANCE RESPONSIBILITIES).
- THE CONTRACTOR SHALL MAINTAIN ALL PLANTINGS FOR A MINIMUM PERIOD OF ONE (1) YEAR.
- STREET TREE PLANTING SHALL BE AS FOLLOWS:

STREET NAME	BOTANICAL NAME/COMMON NAME	MIN. SIZE	APPROX. SPACING	NO. REQ.
*GRANFORD AVE.	WASHINGTONIA / CALIFORNIA FILIFERA / FAN PALM	RELOCATE AS SHOWN		1
UNIVERSITY AVE.	KOELZEUERIA BIRINNATA CHINESE PLANE TREE 15 GAL. / BIRINNATA - 1	40'		7
*UNIVERSITY AVE.	WASHINGTONIA / CALIFORNIA FILIFERA / FAN PALM	RELOCATE AS SHOWN		7
*UNIVERSITY AVE.	WASHINGTONIA MEXICAN ROBUSTA / FAN PALM	MATURE (SIZE TO BE DETERMINED BY THE DEVELOPMENT DEPARTMENT)	40'	7
- PARK AND RECREATION DEPARTMENT AND PUBLIC WORKS DEPARTMENT PERMITS ARE REQUIRED PRIOR TO COMMENCEMENT OF TREE RELOCATION AND/OR REMOVAL WORK. FOR ALL TREES WITHIN THE ULTIMATE PAVEMENT AREA, BACKFILL OF ALL HOLES IS TO BE INSPECTED BY THE CITY FOR PROPER COMPACTION.

CONSTRUCTION NOTES :

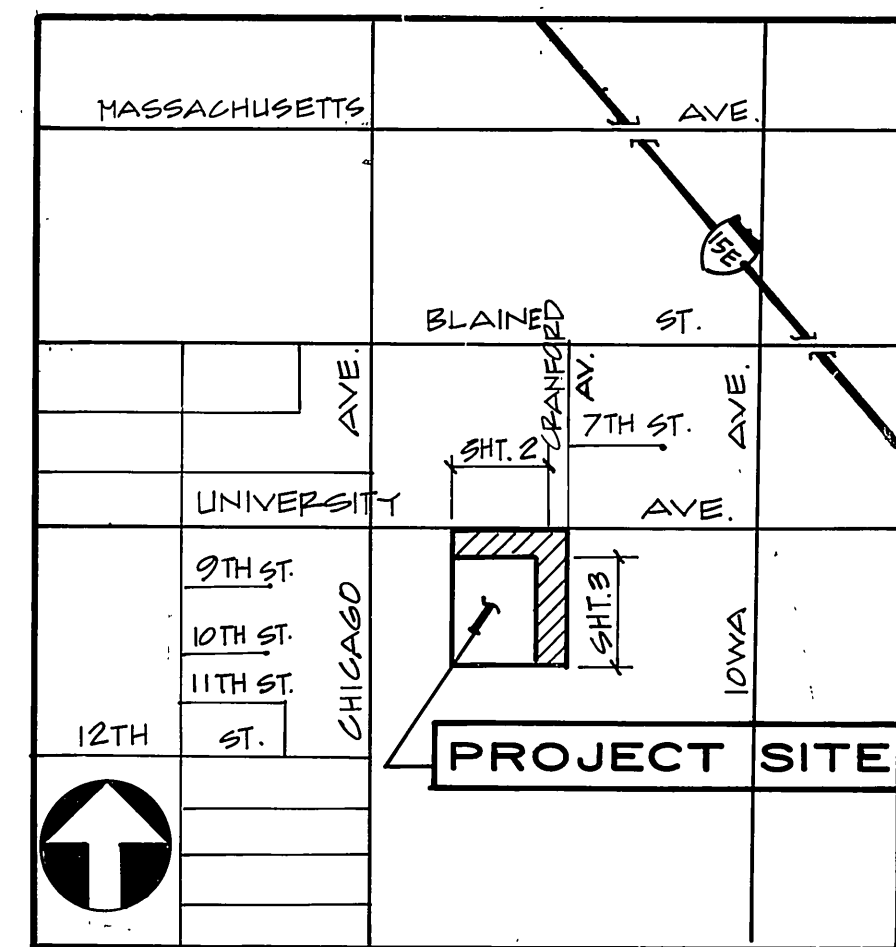
- CONST. A.C. PAVEMENT OVER CRUSHED AGGREGATE BASE PER TYPICAL SECTION.
- CONST. CURB & GUTTER PER CITY OF RIVERSIDE STD. DWG. NO. 200 (6" C.F.).
- CONST. WHEELCHAIR RAMP PER CITY OF RIVERSIDE ST. DWG. NO. 304.
- CONST. DRIVEWAY APPROACHES PER CITY OF RIVERSIDE STD. DWG. NO. 302.
- CONST. CATCH BASIN PER CITY OF RIVERSIDE STD. DWG. NO. 405.
- CONST. CLEAN-OUT BOX PER CITY OF RIVERSIDE STD. DWG. NO. 425 WITH TRAFFIC WEIGHT LIP PER PLAN DETAIL.
- CONST. JUNCTION STRUCTURE NO. 4 PER RIVERSIDE COUNTY FLOOD CONTROL AND WATER CONSERVATION DISTRICT STD. DWG. NO. JS 229.
- RELOCATE PALM TREES TO VILLEGAS PARK.
- CONST. VARIABLE THICKNESS A.C. OVERLAY PER [HATCH]
- PALMS TO BE RELOCATED FROM UNIVERSITY AVE. TO N'LY SIDE OF LINCOLN AVE, N'LY OF ST. LAWRENCE ST.
- BLANK
- PLANT KOELZEUERIA BIRINNATA STREET TREES TO THE SPECIFICATIONS OF THE PARK & REC. DEPT.
- PLANT WASHINGTONIA ROBUSTA STREET TREES TO THE SPECS OF THE PARK & REC. DEPT.

* INDICATES THAT THE ITEM OF WORK IS NOT A PART OF THIS CONTRACT.



NOTES

- THE INTERIOR SURFACE SHALL BE SMOOTH AND VARY UNIFORMLY BETWEEN THE TWO ADJOINING SECTIONS
- AT PIPE JUNCTURE, EMBEDMENT SHALL BE MIN. 3 INCHES.
- CONTRACTOR SHALL VERIFY THE WALL THICKNESS AND CLEAR OPENING DIMENSIONS OF THE EXISTING 48"x12" CULVERT. IF THE CULVERT WALL THICKNESS IS LESS THAN THE TOP SLAB THICKNESS OF THE BOX (8" PER PLAN) THE CONTRACTOR SHALL CONSTRUCT A 6" TRANSITION AS SHOWN ON SECTION A-A. (φS 45°)
- ANY MODIFICATION TO THE BOX STRUCTURE AND STORM DRAIN LATERALS MUST BE APPROVED BY RIVERSIDE COUNTY FLOOD CONTROL DISTRICT.



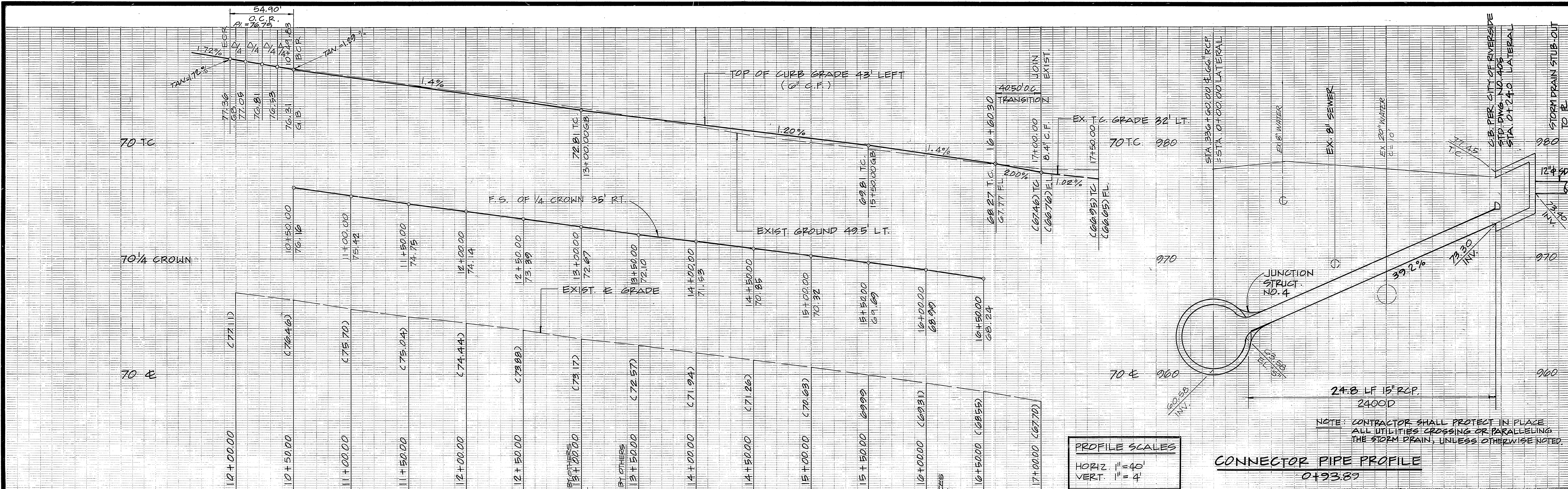
VICINITY MAP
NO SCALE

BENCH MARK

BRASS DISK STAMPED (17-B) CAPPED AT THE INTERSECTION OF E UNIVERSITY AVENUE AND E CHICAGO AVENUE.
ELEV = 956.733

- 10/22/87 DELETED QUANTITY ESTIMATE.
- 10/22/87 REVISED FRAME & COVER DESIGNATIONS.
- 10/22/87 REVISED TRANS. STRUC. NOTES & FRAME & COVER
- 10/22/87 ADDED * TO VARIOUS TREE RELATED ITEMS.
- 10/5/87 REVISED BOX DETAIL
- 9/16/87 ADDED DETAIL & NOTES FOR CLEAN-OUT BOX
- 9/3/87 REVISED NOTES & DETAILS PER CITY PLAN CHECK
- 8/17/87 REVISED TREE LOCATION
- 8/17/87 CHANGED DRAIN WIDTHS PER CITY OF RIVERSIDE COMMENTS
- 8/17/87 CHANGED TS TO CLEAN-OUT BOX PER CITY COMMENTS
- 7/22/87 REV. P.P.#s PER ELEC. DEPT. REQUEST.
- 7/14/87 REV. PER PUBLIC WORKS COMMENTS.
- 5/13/87 REV. PER PUBLIC WORKS/PUBLIC UTILITIES/PARKS & RECREATION COMMENTS
- 11/20/86 REV. UNIVERSITY AVE. WIDTH

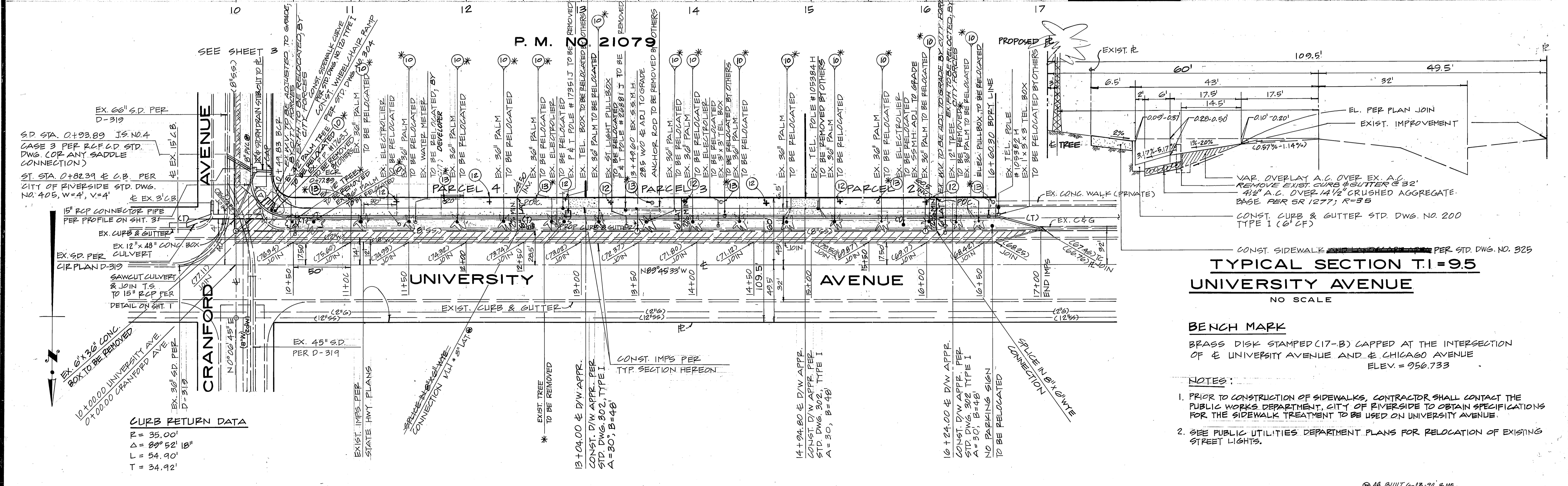
THE SW GROUP 1180 OLYMPIC BOULEVARD LOS ANGELES, CA 90064 (213) 477-1901 EXP. DATE 3/20/86 W.O. 86013 KENNETH K. WATANABE R.C.E. 20024 DATE	DESIGNED BY: I.C. DRAWN BY: K.C. CHECKED BY: E.W.	CITY OF RIVERSIDE PUBLIC WORKS DEPARTMENT		STREET IMPROVEMENT PLANS ACCOUNT NO.
		APPROVED BY: [Signature] DATE: 10/27/87	APPROVED BY: [Signature] DATE: 10/27/87	P.M. NO. 21079 TITLE SHEET



PROFILE SCALES
 HORIZ. 1" = 40'
 VERT. 1" = 4'

CONNECTOR PIPE PROFILE
 0+93.89

NOTE: CONTRACTOR SHALL PROTECT IN PLACE ALL UTILITIES CROSSING OR PARALLELING THE STORM DRAIN, UNLESS OTHERWISE NOTED.



TYPICAL SECTION T.I.=95
UNIVERSITY AVENUE
 NO SCALE

BENCH MARK
 BRASS DISK STAMPED (17-B) CAPPED AT THE INTERSECTION OF E UNIVERSITY AVENUE AND E CHICAGO AVENUE ELEV. = 956.733

- NOTES:**
- PRIOR TO CONSTRUCTION OF SIDEWALKS, CONTRACTOR SHALL CONTACT THE PUBLIC WORKS DEPARTMENT, CITY OF RIVERSIDE TO OBTAIN SPECIFICATIONS FOR THE SIDEWALK TREATMENT TO BE USED ON UNIVERSITY AVENUE.
 - SEE PUBLIC UTILITIES DEPARTMENT PLANS FOR RELOCATION OF EXISTING STREET LIGHTS.

PACIFIC BELL R.V. Tedesco 5-9-86 CITY OF RIVERSIDE WATER DEPT. David V. Davis 5-12-86	CITY OF RIVERSIDE ELEC. DEPT. John Johnson 5/9/86 SO. CAL GAS CO. William L. Larrabee 5/9/86
---	--

STREET NAME SIGN SCHEDULE

UNIVERSITY AVENUE 1500	CRANFORD AVENUE 3800
------------------------	----------------------

THE SW GROUP
 1801 OLYMPIC BOULEVARD
 LOS ANGELES, CA 90064
 (213) 477-1901
 2/4/86

CITY OF RIVERSIDE
PUBLIC WORKS DEPARTMENT

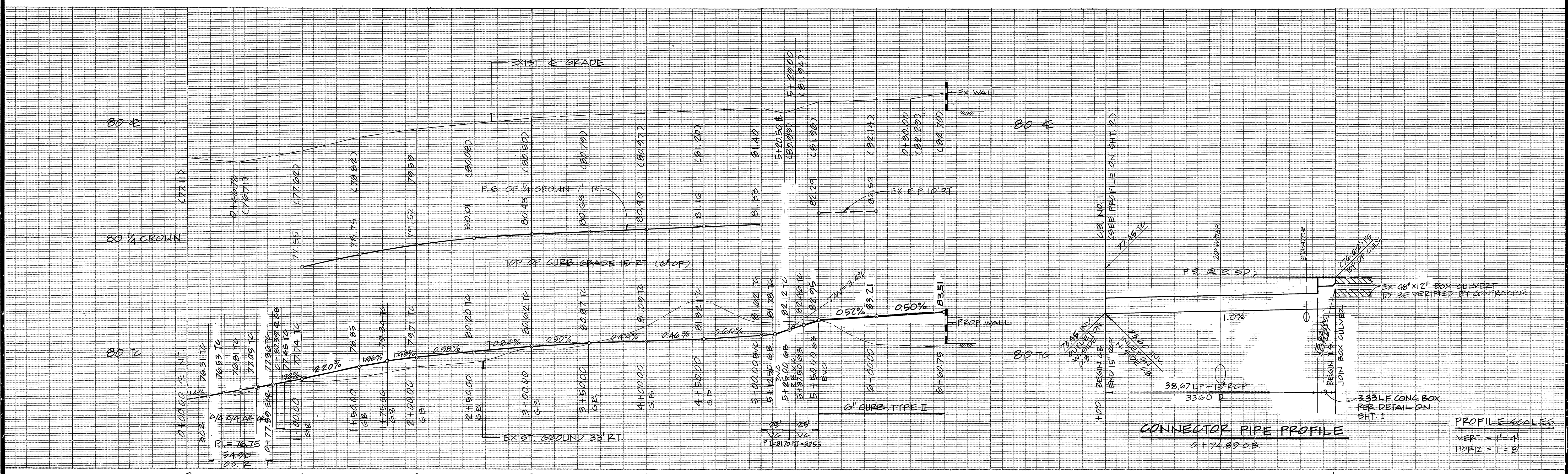
APPROVED BY Ray Beel PUBLIC WORKS DIRECTOR	DATE 10/27/87
DESIGNED BY L.C.	DRAWN BY J.E.
REVISIONS	APPR. DATE

STREET PLAN & PROFILE
P.M. NO. 21079
UNIVERSITY AVENUE
CRANFORD AVE. W'LY 700'

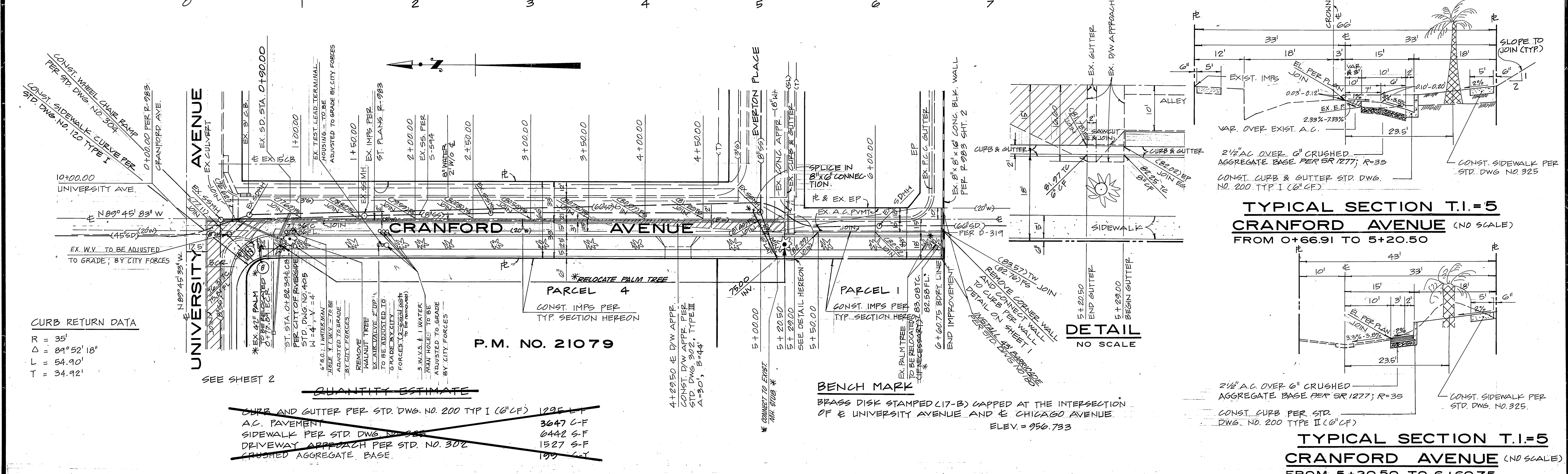
ACCOUNT NO. R-2771
 SHEET 2 OF 3

HORIZ. SCALE: 1" = 40' VERT. SCALE: 1" = 4'

AS BUILT 6-13-90 B.M.



PROFILE SCALES
 VERT. = 1" = 4'
 HORIZ. = 1" = 5'



TYPICAL SECTION T.I.=5
 CRANFORD AVENUE (NO SCALE)
 FROM 0+66.91 TO 5+20.50

TYPICAL SECTION T.I.=5
 CRANFORD AVENUE (NO SCALE)
 FROM 5+20.50 TO 6+60.75

CURB RETURN DATA

R	= 35'
Δ	= 89°52'18"
L	= 54.90'
T	= 34.92'

QUANTITY ESTIMATE

CURB AND GUTTER PER STD. DWG. NO. 200 TYP I (6" CF)	1295 L.F.
A.C. PAVEMENT	3647 S.F.
SIDEWALK PER STD. DWG. NO. 325	6442 S.F.
DRIVEWAY APPROACH PER STD. NO. 302	1527 S.F.
CRUSHED AGGREGATE BASE	100 S.F.

PACIFIC BELL R. V. Tolosa 5-9-86	CITY OF RIVERSIDE ELEC. DEPT. John Johnson 5/9/86
CITY OF RIVERSIDE WATER DEPT. Dan W. Davis 5-13-86	SO. CAL GAS CO. William K. ... 5/9/86

THE SW GROUP
 1801 OLYMPIC BOULEVARD
 LOS ANGELES, CA 90064
 (213) 477-1901

APPROVED BY: [Signature]
 DATE: 2/14/86

CITY OF RIVERSIDE
 PUBLIC WORKS DEPARTMENT

APPROVED BY: [Signature]
 DATE: 10/27/87

STREET PLAN & PROFILE P.M. NO. 21079 CRANFORD AVENUE UNIVERSITY AVE. S'LY 66'	ACCOUNT NO. R-2771 SHEET 3 OF 3
--	---------------------------------------

HORIZ. SCALE: 1" = 40' VERT. SCALE: 1" = 4'

PC 1A18