

- CONSTRUCTION NOTES**
- 1. NUMBERS ABOVE 100 IN A HEXAGON ON THE PLAN REFER TO THE RESPECTIVE STANDARD DRAWING AND SHALL BE CONSTRUCTED ACCORDINGLY. UNLESS MODIFICATIONS ARE NOTED ON THE PLAN OR COVER SHEET, ANY NUMBER SHOWN BELOW THE STANDARD DRAWING NUMBER INDICATES THE SPECIFIC ALTERNATE TO BE CONSTRUCTED.
 - 2. EXISTING UTILITIES SHOWN ON THIS PLAN ARE PLOTTED FROM UTILITY RECORDS. THE CONTRACTOR IS REQUIRED TO TAKE DUE PRECAUTIONARY MEASURES TO LOCATE AND PROTECT ALL UTILITIES WHETHER OR NOT SHOWN ON THIS PLAN. IF THE COVER OF A UTILITY IS KNOWN, IT IS SHOWN IN THE PROFILE. UTILITIES IN THE PROFILE AS "INDICATED" INDICATES THAT THE COVER IS UNKNOWN, BUT THE UTILITY IS NOT EXPECTED TO CONFLICT WITH THE PROPOSED IMPROVEMENTS.
 - 3. ALL ELEVATIONS SHOWN ON THE PLANS SHALL BE STAKED IN THE FIELD.
 - 4. PRIME CONTRACTORS BIDDING THIS WORK SHALL HAVE A CLASS A OR C-B LICENSE.
 - 5. CONFLICTING UTILITIES SHOWN WITHIN THE CONSTRUCTION AREA WILL BE RELOCATED PRIOR TO CONSTRUCTION.

- CONSTRUCTION LEGEND**
- 5. ALL CURB RETURNS ARE TO REMAIN IN PLACE AND BE PROTECTED FROM DAMAGE.
 - NB-D. STATE OF CALIFORNIA, DEPARTMENT OF TRANSPORTATION STANDARD PLANS, DATED JULY 1984.
 - III. TRANSPLANT OR REMOVE EXISTING TREE. ALL WORK SHALL CONFORM TO THE CITY OF RIVERSIDE PARK AND RECREATION DEPARTMENT STANDARDS. CLASS II - 18" - 36" DIA. CLASS III - OVER 36" DIA.
 - CONSTRUCT STRUCTURAL SECTION OF 0.33' DGAC OVER 0.84' C.A.B. OR 0.75' FULL DEPTH AC.
 - CONSTRUCT 0.21' THICK AC WALK.

GENERAL NOTES FOR TREE PLANTING

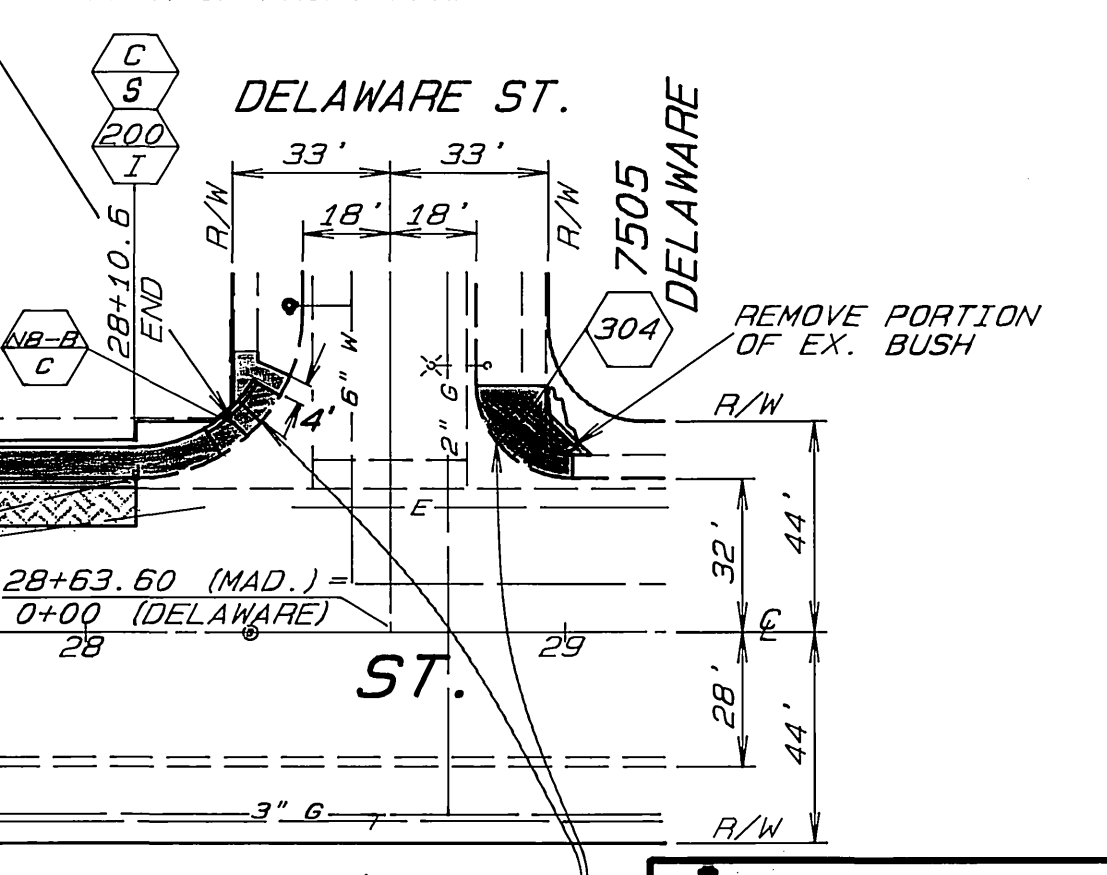
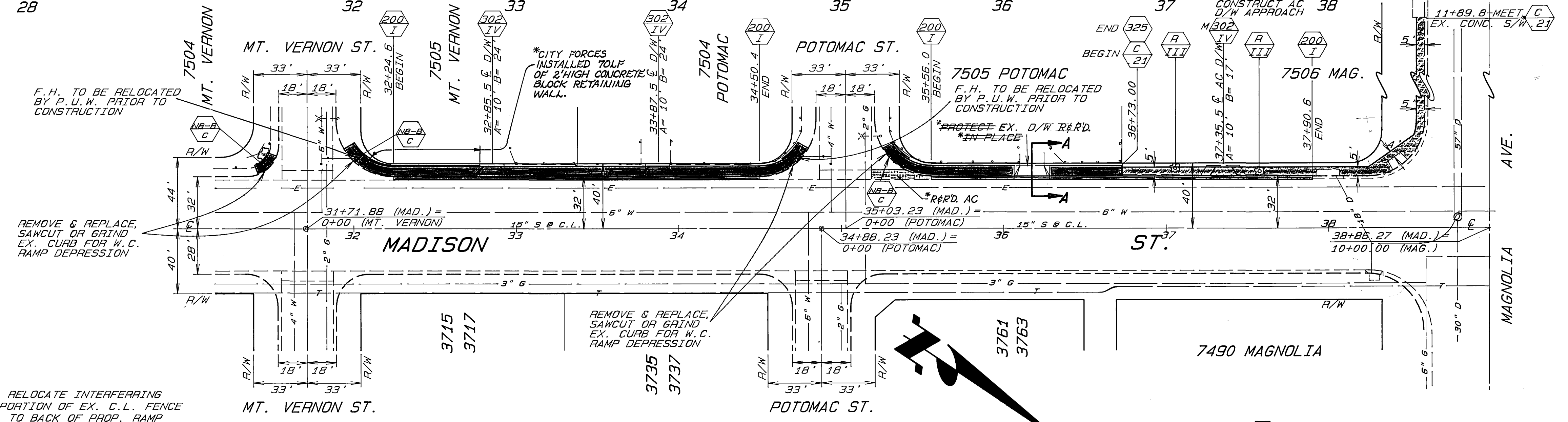
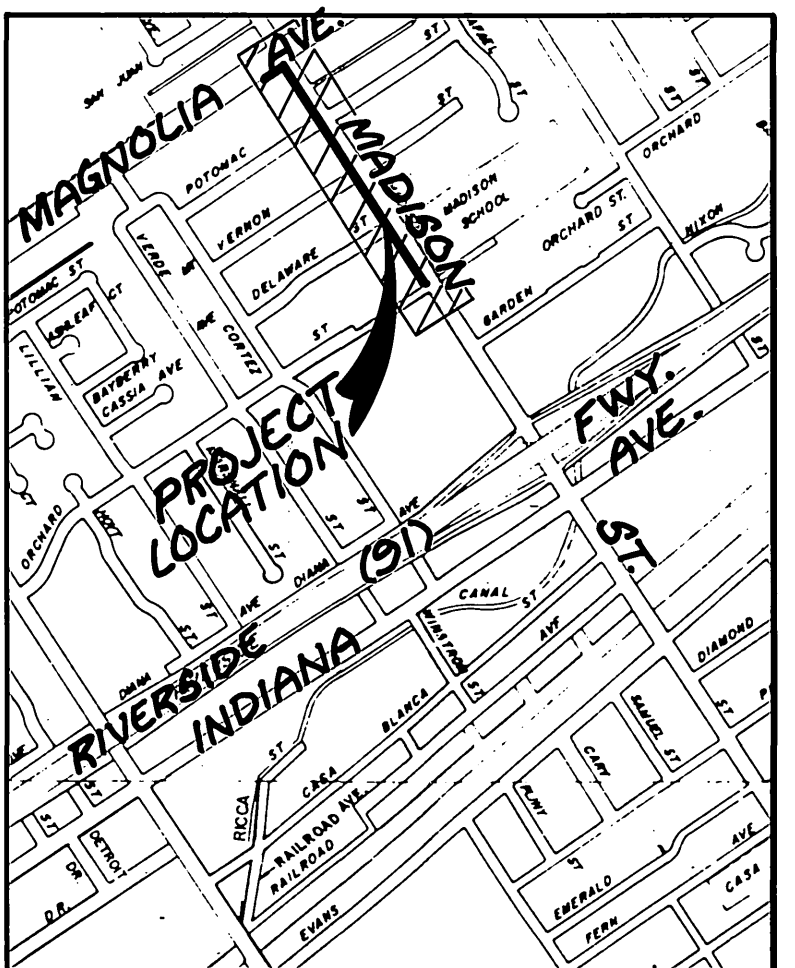
1. ALL RELATED WORK SHALL CONFORM TO THE CITY OF RIVERSIDE PARK AND RECREATION DEPARTMENT STANDARDS.
2. CONTACT THE STREET TREE INSPECTOR A MINIMUM OF 48 HOURS IN ADVANCE AT 351-6426 TO SCHEDULE INSPECTION. INSPECTIONS SHALL BE REQUIRED:
 - a) WHEN PLANT LOCATIONS HAVE BEEN SPOTTED IN THE FIELD PRIOR TO DIGGING PLANT PITS.
 - b) WHILE DIGGING PLANT PITS AND PLANTING/RELOCATING TREES.
 - c) AFTER PLANTING AND ALL OTHER INDICATED OR SPECIFIED WORK HAS BEEN COMPLETED FOR START OF MAINTENANCE AT END OF MAINTENANCE/FINAL ACCEPTANCE (CONTRACTOR WILL BE RELEASED FROM MAINTENANCE ONLY UPON RECEIPT OF WRITTEN NOTIFICATION FROM THE CITY THAT THE PARK AND RECREATION DEPARTMENT IS ASSUMING MAINTENANCE RESPONSIBILITIES).
3. THE CONTRACTOR SHALL MAINTAIN ALL PLANTINGS FOR A MINIMUM PERIOD OF ONE (1) YEAR.
4. STREET TREE PLANTING SHALL BE AS FOLLOWS:

STREET NAME	BOTANICAL NAME/COMMON NAME	SIZE	MIN. APPROX. SPACING	NO. REQ.
MADISON ST.	WASHINGTONIA ROBUSTA	RELOCATE TO VICTORIA AVE MEDIUM PRECISE LOCATION TO BE DETERMINED BY THE INSPECTOR	4	
5. PARK AND RECREATION DEPARTMENT AND PUBLIC WORKS DEPARTMENT PERMITS ARE REQUIRED PRIOR TO COMMENCEMENT OF TREE RELOCATION AND/OR REMOVAL WORK. FOR ALL TREE REMOVALS, BACKFILL OF ALL HOLES IS TO BE INSPECTED BY THE CITY FOR PROPER COMPACTION.

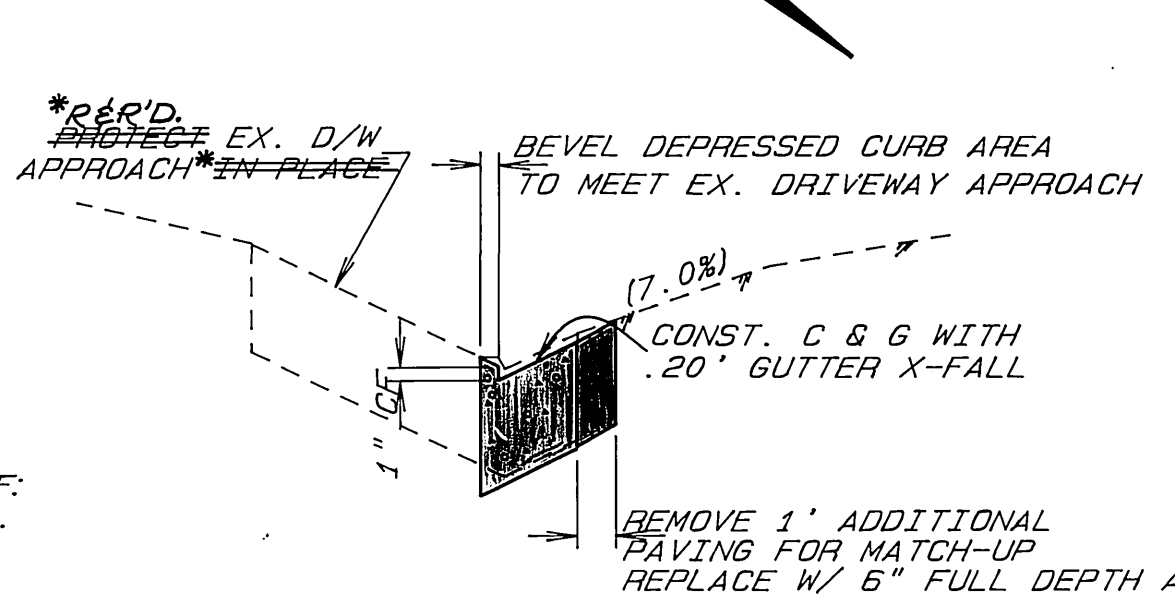
IMPORTANT NOTICE
 Section 4216/4217 of the Government Code requires a Dig Alert Identification Number be issued before a "Permit to Excavate" will be valid. For your Dig Alert ID Number Call Underground Service Alert TOLL FREE 1-800-425-4138 Two working days before you dig

BENCHMARK
 PK. NAIL 6" C.P. TAG IN CONCRETE BASE OF TRAFFIC SIGNAL AT S.W. CORNER OF MAGNOLIA AVE. AND MADISON ST. EL. 814.40

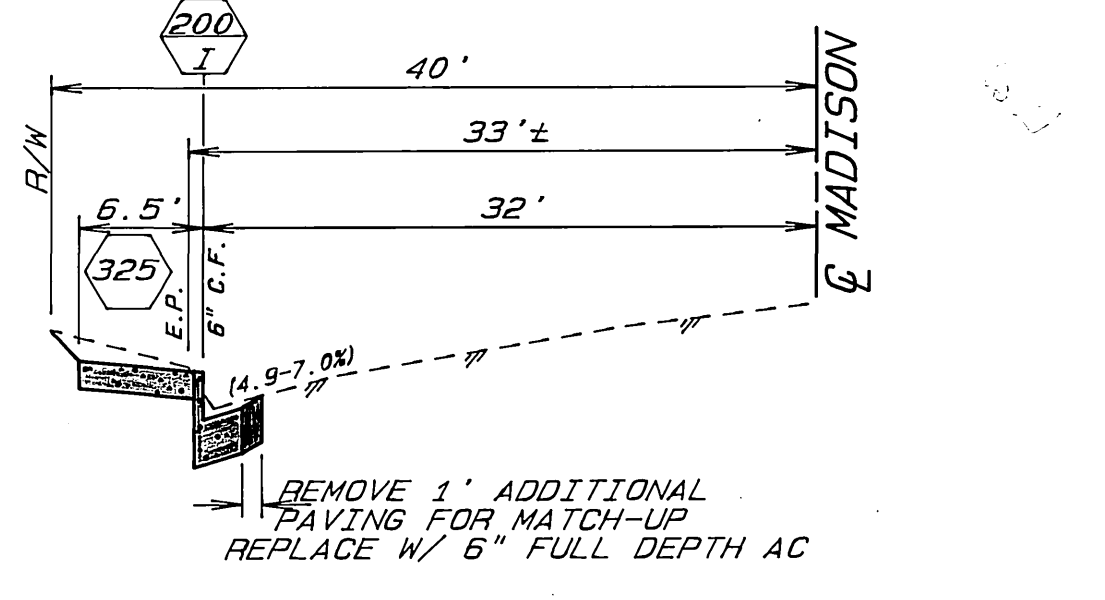
PROJECT LOCATION MAP
 SCALE: 1" = 1,000'



TYPICAL SECTION
 STA. 25+62.6 TO 28+10.6
 SCALE: HORIZ. 1" = 10'
 VERT. 1" = 2'

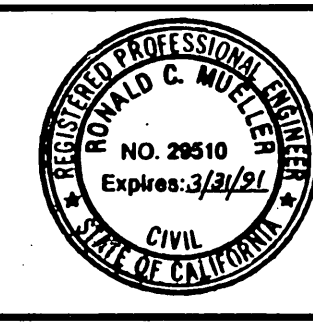


SECT. A-A
 D/W MATCH-UP DETAIL @ 36+18.0
 SCALE: HORIZ. 1" = 5'
 VERT. 1" = 2'



TYPICAL SECTION
 STA. 32+24.6 TO 37+90.6
 SCALE: HORIZ. 1" = 10'
 VERT. 1" = 2'

ENGINEER IN RESPONSIBLE CHARGE
 Ronald C. Mueller
 R.C.E. 29510 expires 3-31-91



CITY OF RIVERSIDE PUBLIC WORKS DEPARTMENT			
APPROVED BY	DATE	BY	DATE
PRINCIPAL ENGINEER	7-15-89	INSPECTOR	8-15-89
CHIEF P.W. ENGINEER	8-15-89	CHIEF P.W. INSPECTOR	8-15-89
SURVEYOR	8-15-89	TRAFFIC DIVISION	8-15-89
DESIGNED BY RVZ	DRAWN BY RVZ	CHECKED BY CM	DATE 9/29/89

MADISON STREET IMPROVEMENTS
 ORCHARD TO MAGNOLIA

ACCOUNT NO. 30-575-285-07
R-3044
 SHEET 1 OF 1