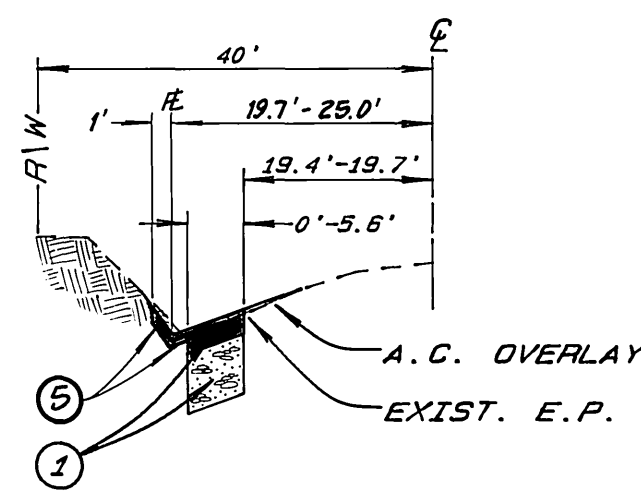
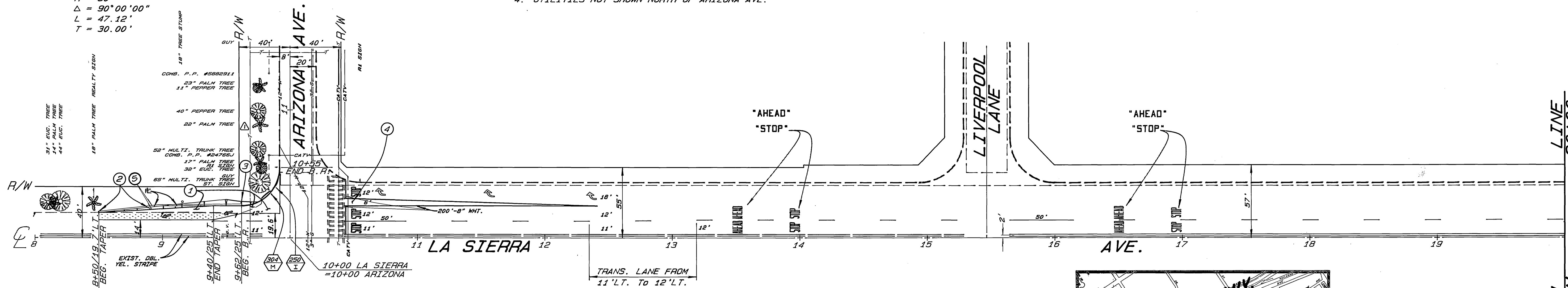
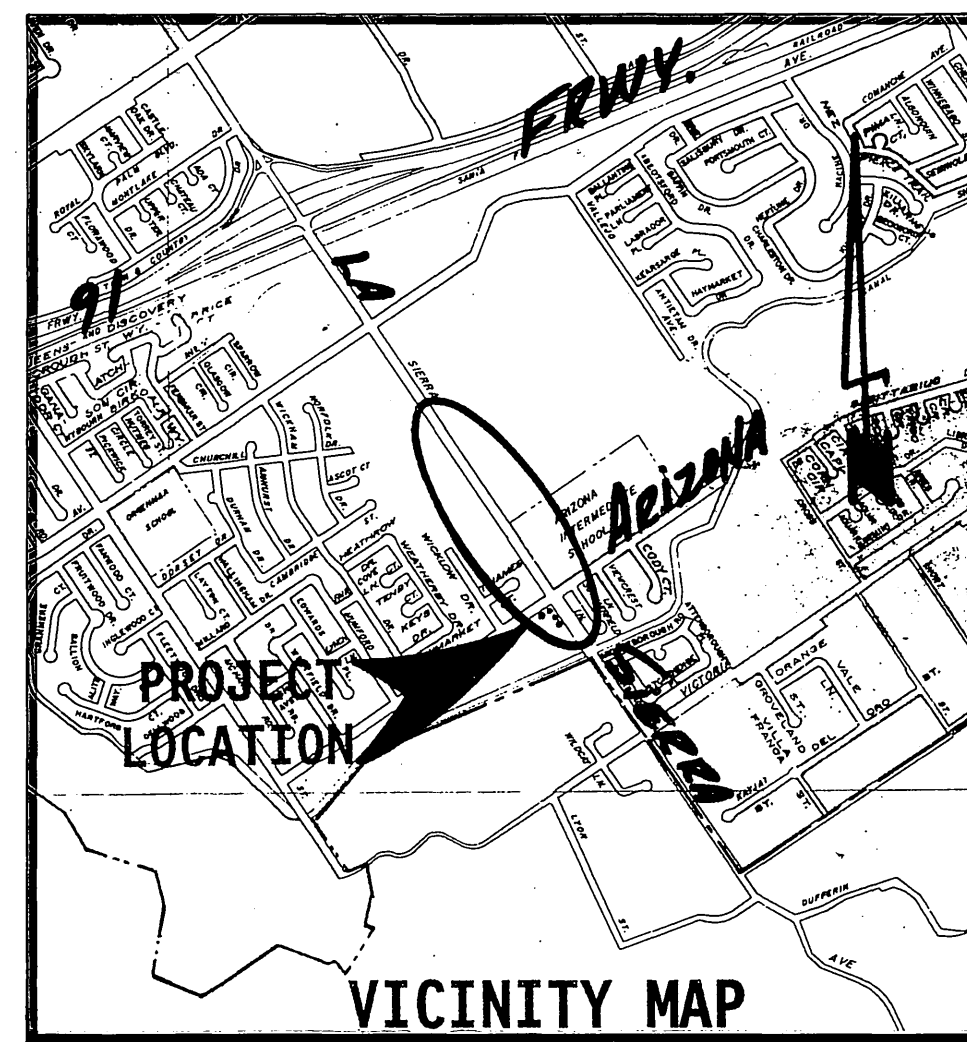
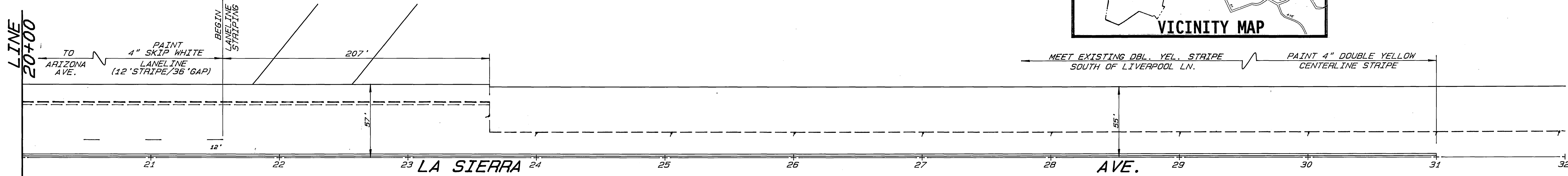


CURVE DATA

R = 30'
 Δ = 90° 00' 00"
 L = 47.12'
 T = 30.00'



TYP. CROSS SECTION
 STA. 8+50 TO 9+62
 N.T.S.



GENERAL NOTES

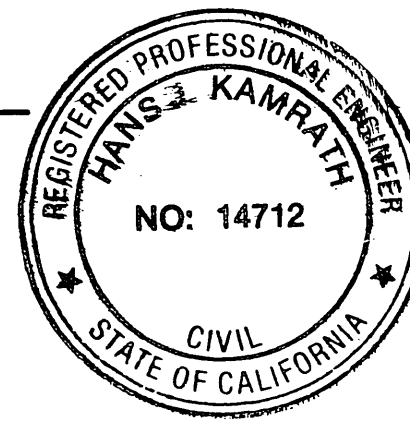
- 1. CONSTRUCTION SHALL BE IN ACCORDANCE WITH THE CITY OF RIVERSIDE, DEPARTMENT OF PUBLIC WORKS, STANDARD DRAWINGS, AND THE STANDARD SPECIFICATIONS FOR PUBLIC WORKS CONSTRUCTION, 1988 EDITION, 1989 SUPPLEMENT.
- 2. TRIM EDGE OF EXISTING PAVEMENT WHERE NEW PAVEMENT JOINS TO A SMOOTH, STRAIGHT LINE. CONSTRUCT MATCH-UP PAVING AS SHOWN ON PLAN AND OVERLAY PAVING AS DIRECTED IN THE FIELD TO PRODUCE A SMOOTH SECTION.
- 3. REMOVE ANY CONFLICTING EXISTING STRIPING AND MARKINGS, WITHIN THE PROJECT LIMITS.
- 4. UTILITIES NOT SHOWN NORTH OF ARIZONA AVE.

CONSTRUCTION NOTES

- ① CONSTRUCT 3" A.C. OVER 7" C.A.B.
- ② INSTALL TYPE F-1 DELINEATORS @ 20' O.C. (STA. 8+50 TO 9+30)
- ③ INSTALL W11 (36") TRAFFIC SIGN.
- ④ RELOCATE EXISTING TRAFFIC SIGN AND POST (BETWEEN 8" WHITE STRIPS).
- ⑤ 2" A.C. OVER COMPACTED SOIL.
- ⑥ CONSTRUCT WHEELCHAIR RAMP PER STD. DWG. 304, (BERM DEPRESSION ONLY).
- ⑦ CONSTRUCT A.C. BERM PER STD. DWG. 250, TYPE I.
- ⑧ A.C. OVERLAY

BENCH MARK:
 B.M. 83-71 Brass Disk 146' N.W. along La Sierra Ave. from C.L. intersection Arizona Ave. 34' N.E. of La Sierra Ave. & 8' from P.P. #2960J per Riv. Co. B.M. Book and LL23/B.
 ELEVATION = 783.413

ENGINEER IN RESPONSIBLE CHARGE
 HANS J. KAMRATH
 R.C.E. 14712 expires 3/31/93
 DATE 2/22/1990



MARK	REVISIONS	APPR.	DATE
DESIGNED BY	ON	DRAWN BY	DM
CHECKED BY	JM		

CITY OF RIVERSIDE
 PUBLIC WORKS DEPARTMENT

APPROVED BY	DATE	BY	APPROVED BY
DEPUTY P.W. ENGINEER			
PRINCIPAL ENGINEER	2/6/90		
SURVEYOR	2-21-90		
CHIEF P.W. INSPECTOR	3-5-90		
TRAFFIC DIVISION	3-5-90		

DATE 3/6/90

LA SIERRA AVENUE WIDENING AT ARIZONA AVENUE
 South Westerly Corner

ACCOUNT NO. 98-575-328-89
R-3126
 SHEET 1 OF 1

HORIZ. SCALE: 1" = 40' VERT. SCALE: 1" = 4'