

# STREET IMPROVEMENT PLANS FOR THE RIVERSIDE MARKET PLACE (PARCEL MAP NO. 26301)

## CALTRANS GENERAL NOTES (CONT.)

11. ALL CONFLICTING STRIPING AND PAVEMENT MARKINGS NOT SHOWN ON THE PLANS SHALL BE REMOVED FROM THE PAVEMENT BY SANDBLASTING BY THE CONTRACTOR.
12. ALL CONFLICTING SIGNS SHALL BE EITHER REMOVED OR RELOCATED BY THE CONTRACTOR. RELOCATABLE SIGNS SHALL BE INSTALLED AS SPECIFIED ON THE PLANS OR AS DETERMINED IN THE FIELD BY THE STATE'S REPRESENTATIVE.
13. ALL SIGNS, ROADSIDE MARKERS, ELECTROLIERS, ECT., SHALL BE PROTECTED AND/OR REPLACED IN-KIND ACCORDING TO THE CURRENT STATE STANDARD PLANS AND THE CURRENT TRAFFIC MANUAL, AT NO COST TO THE STATE.

## CONSTRUCTION NOTES (CONT.)

- 36. CONSTRUCT 6" A.C. BERM PER CITY OF RIVERSIDE STD. DWG. NO. 250
- 37. CONSTRUCT BARRICADE PER CITY OF RIVERSIDE STD. DWG. NO. 650.
- 38. CONSTRUCT CURB TRANSITION PER CITY OF RIVERSIDE STD. DWG. NO. 210.
- 39. SAWCUT & REMOVE EXISTING P.C.C. CURB & CANAL LINER TO FACILITATE CONSTRUCTION OF BRIDGE.

## GENERAL NOTES

1. CONSTRUCTION SHALL BE IN ACCORDANCE WITH THE CITY OF RIVERSIDE DEPARTMENT OF PUBLIC WORKS, STANDARD DRAWINGS AND THE STANDARD SPECIFICATIONS FOR PUBLIC WORKS CONSTRUCTION, CURRENT EDITION.
2. NO WORK SHALL BE UNDERTAKEN WITHOUT OBTAINING THE NECESSARY PERMITS FROM THE CITY OF RIVERSIDE.
3. THE CONTRACTOR IS REQUIRED TO TAKE ALL PRECAUTIONARY MEASURES TO PROTECT ANY UNDERGROUND UTILITIES SHOWN, AND ANY LINES OR UTILITIES NOT SHOWN, AND IS RESPONSIBLE FOR THE PROTECTION OF, AND ANY DAMAGE TO THESE LINES.
4. TRIM EDGE OF EXISTING PAVEMENT WHERE NEW PAVEMENT JOINS A SMOOTH, STRAIGHT LINE. CONSTRUCT MATCH-UP PAVING AS SHOWN ON PLAN AND OVERLAY PAVING AS DIRECTED IN THE FIELD TO PRODUCE A SMOOTH SECTION.
5. IT SHALL BE THE RESPONSIBILITY OF THE CONTRACTOR TO CLEAR THE RIGHT OF WAY IN ACCORDANCE WITH THE PROVISIONS OF THE LAW AS IT AFFECTS EACH UTILITY, INCLUDING IRRIGATION LINES AND APPURTENANCES AT NO COST TO THE CITY.
6. IN PAVEMENT OVERLAY AREAS, DISTRESSED EXISTING PAVEMENT SHALL BE REMOVED AND REPLACED AS DIRECTED BY THE INSPECTOR PRIOR TO OVERLAYING WITH A.C. PAVING.
7. THE CONTRACTOR SHALL COORDINATE TRENCHING FOR CABLE TELEVISION WITH OTHER TRENCHING WITHIN THE PROJECT.
8. ANY TRAFFIC CONTROL STRIPING OBLITERATED AND/OR BADLY WORN DURING CONSTRUCTION SHALL BE RESTORED BY THE CONTRACTOR WITHIN FIVE DAYS AFTER NOTIFICATION FROM THE CITY INSPECTORS.
9. FINAL STRIPING FOR TRAFFIC CONTROL AND/OR PAVEMENT MARKING TO BE THE RESPONSIBILITY OF THE CONTRACTOR.
10. ALL FLAGGED ELEVATIONS SHALL BE STAKED IN THE FIELD.
11. THE PRIVATE ENGINEER SIGNING THIS PLAN IS RESPONSIBLE FOR ASSURING THE ACCURACY AND ACCEPTABILITY OF THE WORK HEREON. IN THE EVENT OF DISCREPANCIES ARISING DURING CONSTRUCTION, THE PRIVATE ENGINEER SHALL BE RESPONSIBLE FOR DETERMINING AN ACCEPTABLE SOLUTION AND REVISING THE PLANS FOR APPROVAL BY THE CITY.
12. THE CONTRACTOR SHALL CALL IN A LOCATION REQUEST TO UNDERGROUND SERVICE ALERT (U.S.A.), PHONE #1-800-422-4133, TWO WORKING DAYS BEFORE DIGGING. NO CONSTRUCTION PERMIT WILL BE ISSUED BY THE PUBLIC WORKS DEPARTMENT INVOLVING EXCAVATION FOR UNDERGROUND FACILITIES UNLESS THE APPLICANT HAS BEEN PROVIDED AN INQUIRY IDENTIFICATION NUMBER BY U.S.A.
13. THE CONTRACTOR SHALL BE RESPONSIBLE FOR PRESERVING OR RE-ESTABLISHING AND REFERENCING SURVEY MONUMENTS DESTROYED, DISTURBED OR BURIED AS A RESULT OF CONSTRUCTION SHOWN HEREON.
14. ON ALL AREAS WITHIN PUBLIC RIGHT OF WAY WHERE FILL IS ONE (1) FOOT OR GREATER, A LETTER WILL BE REQUIRED FROM THE SOILS ENGINEER, CERTIFYING THE COMPACTION OF THE FILL BELOW SUBGRADE, PRIOR TO ISSUANCE OF THE CONSTRUCTION PERMIT/CUT SHEETS.
15. CONTRACTOR TO GIVE CITY WATER DIVISION FIVE (5) WORKING DAYS WRITTEN NOTICE PRIOR TO START OF CONSTRUCTION AND TO ALLOW CITY TEN (10) WORKING DAYS FOR COMPLETION OF WORK. (714) 351-6150
16. ENGINEERS NOTICE TO CONTRACTOR: THE EXISTENCE AND LOCATION OF ANY UNDERGROUND UTILITY PIPES OR STRUCTURES SHOWN ON THESE PLANS WERE OBTAINED BY A SEARCH OF AVAILABLE RECORDS. THESE LOCATIONS ARE APPROXIMATE AND SHALL BE CONFIRMED IN THE FIELD BY THE CONTRACTOR, SO THAT ANY NECESSARY ADJUSTMENTS CAN BE MADE IN ALIGNMENT AND/OR GRADE OF THE PROPOSED IMPROVEMENT.
17. REFER TO CITY OF RIVERSIDE PLAN X-142 FOR SIGNAL AND STRIPING.

## ▲ CALTRANS GENERAL NOTES

1. AN ENCROACHMENT PERMIT IS REQUIRED BEFORE ANY WORK MAY BEGIN IN OR NEAR THE STATE RIGHT OF WAY.
2. ALL WORK WITHIN THE STATE RIGHT OF WAY SHALL CONFORM TO THE LATEST STATE STANDARD PLANS AND SPECIFICATIONS OR AS DIRECTED BY THE STATE'S REPRESENTATIVE.
3. NO EQUIPMENT OR MATERIALS MAY BE STORED ON THE STATE RIGHT OF WAY.
4. ALL DISTURBED AREAS IN THE STATE RIGHT OF WAY MUST BE TREATED FOR EROSION CONTROL (HYDROSEEDING OR EQUIVALENT), OR AS DIRECTED BY THE STATE'S REPRESENTATIVE. THE RESPONSIBILITY FOR MAINTAINING EROSION CONTROL WILL NOT BE RELEASED UNTIL THE SEEDING IS WELL ESTABLISHED. THE CONTRACTOR WILL BE RESPONSIBLE FOR THE COST OF CALTRANS CLEANING ANY DRAINAGE STRUCTURES/CHANNELS WHICH HAVE BECOME CLUTTERED WITH DEBRIS AND/OR SILT AS A RESULT OF, OR CAUSED BY, THE CONSTRUCTION PROJECT.
5. ACCESS CONTROL ON THE FREEWAY WILL BE MAINTAINED AT ALL TIMES, I.E., THE WORK INSIDE THE STATE RIGHT OF WAY MUST BE FENCED OFF WITH NO ACCESS TO THE WORK AREA FROM THE FREEWAY.
6. NO FREEWAY RAMPS OR FREEWAY LANES MAY BE CLOSED OR OBSTRUCTED AT ANYTIME UNLESS SPECIFICALLY ALLOWED PER THE ENCROACHMENT PERMIT AND/OR AS DIRECTED BY THE STATES REPRESENTATIVE.
7. THE STRUCTURAL SECTION SHOWN WITHIN THE STATE RIGHT OF WAY IS FOR ESTIMATING PURPOSES ONLY. THE ACTUAL SECTION WILL BE DESIGNED BY A SOILS ENGINEER AFTER NATIVE SOIL TESTING HAS BEEN COMPLETED. A TRAFFIC INDEX (TI) OF 10 SHALL BE USED IN THE DESIGN OF THE TRAVELLED WAY, AND A TI OF 10 SHALL BE USED FOR THE SHOULDER DESIGN. THE LABORATORY REPORTS AND THE DESIGN CALCULATIONS SHALL BE SUBMITTED TO THE STATE'S REPRESENTATIVE FOR APPROVAL PRIOR TO CONSTRUCTION OF THE STRUCTURAL SECTION.
8. WHERE SURVEY MONUMENTS EXIST, SUCH MONUMENTS SHALL BE PROTECTED OR SHALL BE REFERENCED AND RESET PURSUANT TO BUSINESS AND PROFESSIONS CODE, SECTIONS 8700 TO 8805 (LAND SURVEYOR'S ACT).
9. ALL SIGNING, STRIPING AND PAVEMENT MARKINGS SHALL BE IN CONFORMANCE WITH THE CURRENT EDITION OF THE TRAFFIC MANUAL, PUBLISHED BY THE STATE OF CALIFORNIA, DEPARTMENT OF TRANSPORTATION, AND THE SPECIAL PROVISIONS, ALL PAVEMENT MARKINGS SHALL BE THERMOPLASTIC UNLESS OTHERWISE NOTED ON THE PLANS.
10. THE EXACT LOCATION OF ALL SIGNS SHALL BE DETERMINED IN THE FIELD BY THE STATE'S REPRESENTATIVE.

### LEGEND

#### EXISTING UNDERGROUND UTILITIES

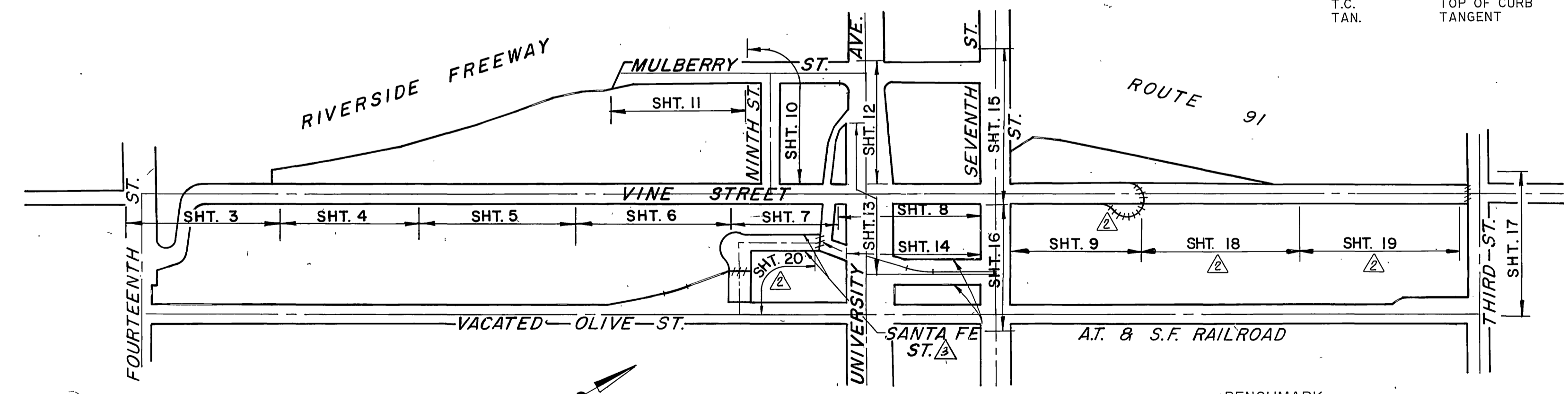
SANITARY SEWER	—EX.6"S—	GAS LINE	—EX.3"G—
WATER LINE	—EX.6"W—	TELEPHONE CONDUIT	—EX.TEL.—
STORM DRAIN	≡EX.24"S.D.≡	ELECTRICAL CONDUIT	—EX.E—

#### EXISTING TOPOGRAPHY

○ SANITARY SEWER MH	○ FIRE HYDRANT VALVE	RAILROAD TRACKS
○ SANITARY SEWER CLEANOUT	○ POLE & GUY ANCHOR	— RAILROAD SIGNAL
○ STORM DRAIN MH	● POWER POLE	— RAILROAD SIGNAL
○ WATER MH	● TELEPHONE POLE	— TRAFFIC SIGNAL
○ GAS MH	□ JOINT USE POLE	— TRAFFIC SIGNAL ON MAST ARM
○ ELECTRIC MH	□ PULL BOX	— ELECTROLIER (UPRIGHT)
○ TELEPHONE MH OR VAULT	↑ TRAFFIC SIGN	— ELECTROLIER
□ WATER METER		

#### PROPOSED ELEVATIONS

CONCRETE	P.C.C. CURB	667.20	F.L. ELEVATION
ASPHALT	P.C.C. CURB & GUTTER	6' C.F.	C.F. HEIGHT
EDGE OF PAVEMENT	AC BERM	C.B.	CATCH BASIN
UNDERGROUND STRUCTURE	BUILDING	C.F.	CURB FACE
		E.G.	EDGE OF GUTTER
		F.L.	FLOW LINE
		G.B.	GRADE BREAK
		H.P.	HIGH POINT
		L.P.	LOW POINT
		LT.	LEFT
		M.O.C.	MIDDLE OF CURVE
		O.C.	ON CURVE
		R	RATE
		RT.	RIGHT
		T.C.	TOP OF CURB
		TAN.	TANGENT



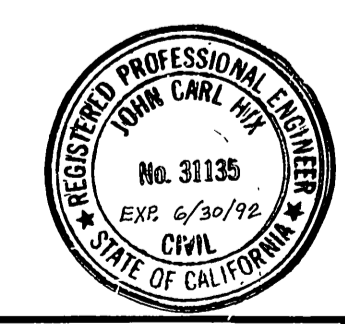
### INDEX MAP

BENCHMARK:  
P.K. NAIL AND CITY ENGINEER TAG AT E'LY  
END OF THE N'LY HEADWALL OF THE R.W.C.  
CANAL 170'± NW OF THE INTERSECTION OF  
THIRD STREET AND COMMERCE STREET.

CITY OF RIVERSIDE B.M. No. 17-K  
ELEV. = 881.022

## CONSTRUCTION NOTES

1. CONSTRUCT A.C. PAVING OVER C.A.B. PER PLAN.
2. CONSTRUCT 1" (MIN.) A.C. OVERLAY.
3. CONSTRUCT TYPE I CONCRETE CURB AND GUTTER (6") PER CITY OF RIVERSIDE STD. DWG. NO. 200.
4. CONSTRUCT CONCRETE SIDEWALK PER CITY OF RIVERSIDE STD. DWG. NO. 325.
5. CONSTRUCT CONCRETE DRIVEWAY APPROACH PER CITY OF RIVERSIDE STD. DWG. NO. 302.
6. CONSTRUCT WHEELCHAIR RAMP PER CITY OF RIVERSIDE STD. DWG. NO. 304.
7. CONSTRUCT CATCH BASIN PER CITY OF RIVERSIDE STD. DWG. NO. 405.
8. INSTALL STORM DRAIN R.C.P. SIZE PER PLAN.
9. ADJUST TO GRADE.
10. POLE TO BE RELOCATED BY OTHERS.
11. GRADE ONLY.
12. REMOVE EXISTING PAVEMENT—A.C.
13. REMOVE EXISTING CURB AND GUTTER.
14. REMOVE EXISTING CATCH BASIN.
15. REMOVE EXISTING SIGN
16. REMOVE EXISTING STREET LIGHT.
17. TO BE REMOVED OR RELOCATED BY OTHERS.
18. CONSTRUCT TYPE II CONCRETE CURB (6") PER CITY OF RIVERSIDE STD. DWG. NO. 200.
19. CONNECT EXISTING 18" R.C.P. S.D. TO CATCH BASIN PER DETAIL ON SHT. 9.
20. REMOVE EXISTING STORM DRAIN PIPE.
21. CONSTRUCT CONCRETE GUTTER PER DETAIL ON SHEET 8.
22. CONSTRUCT JUNCTION STRUCTURE C PER CITY OF RIVERSIDE STD. DWG. NO. 422.
23. REMOVE EXISTING RAILROAD RAILS AND TIES.
24. REMOVE EXISTING RAILROAD RAILS PER DETAIL ON SHEET 8.
25. CONSTRUCT JUNCTION STRUCTURE B PER RIVERSIDE STD. DWG. NO. 421.
26. TO BE REMOVED OR RELOCATED BY CITY OF RIVERSIDE PUBLIC UTILITIES, WATER DEPARTMENT.
27. CONSTRUCT CONCRETE CROSS GUTTER PER CITY OF RIVERSIDE STD. DWG. NO. 220.
28. REMOVE EXISTING PAVEMENT—CONCRETE.
29. EXISTING A.C. AND CONCRETE PAVEMENT, CURB & GUTTER, AND CONCRETE WALK TO BE REMOVED BY OTHERS.
30. CONSTRUCT 3 1/2" CONCRETE PAVEMENT ON SUBGRADE.
31. CONSTRUCT M.H. EZ PER CITY OF RIVERSIDE STD. DWG. NO. 431.
32. TO BE LANDSCAPED PER APPROVED LANDSCAPE PLANS.
33. TO BE RELOCATED BY CITY OF RIVERSIDE PUBLIC UTILITIES, WATER DEPARTMENT.
34. CONSTRUCT PARABOLIC FLARE PER CITY OF RIVERSIDE STD. DWG. NO. 123 W= 6', L= 50'.
35. CONSTRUCT TYPE A2-8 CONCRETE CURB AND GUTTER PER CALTRANS STD. PLAN N6-A.



**PSOMAS**  
Peomas & Associates—Riverside  
3901 Lime Street  
Riverside, California 92501  
714/787-8421

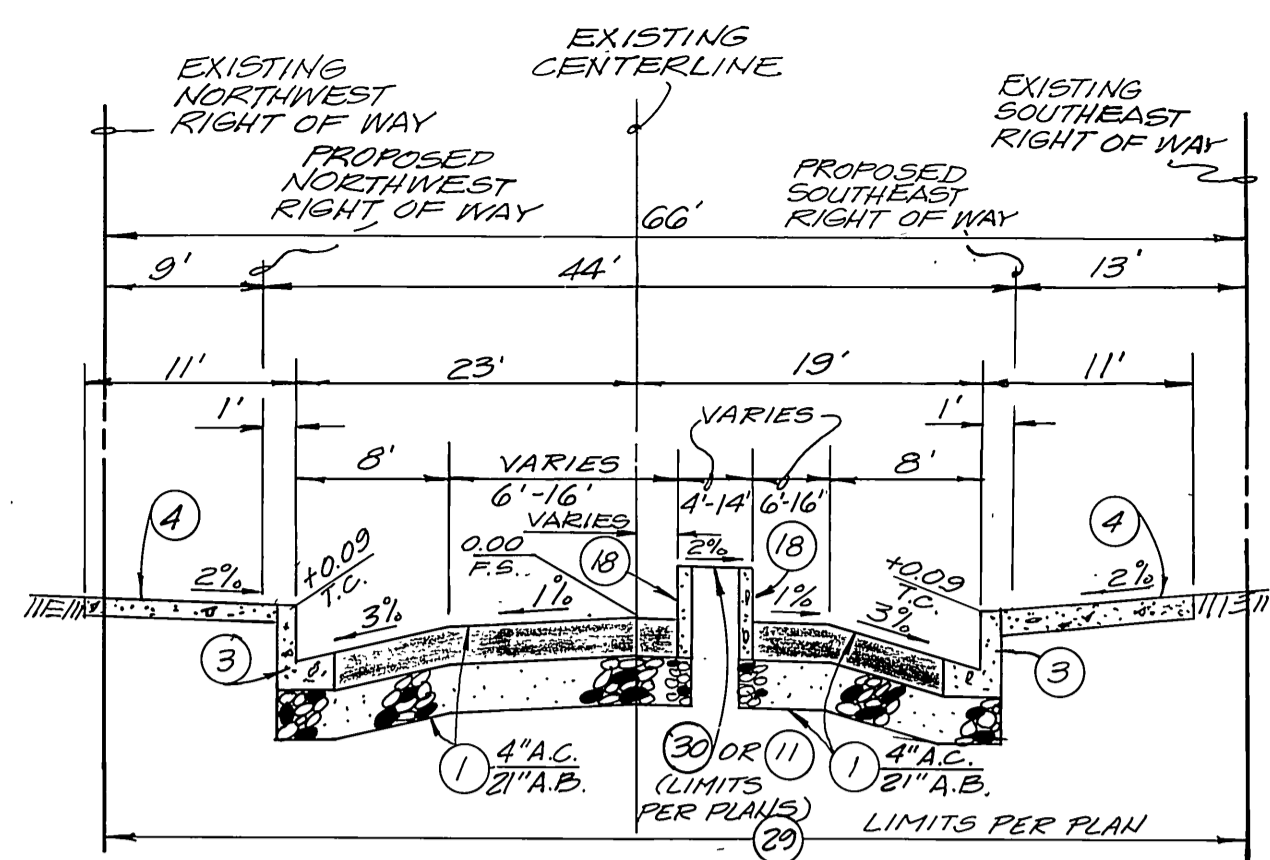
Engineers  
Surveyors  
Planners

DESIGNED BY	DRAWN BY	CHECKED BY
APPROVED BY	DATE	BY
DEPUTY P.W. DIRECTOR	7-3-91	1764
PRINCIPAL ENGINEER		
CHIEF P.W. INSPECTOR		
SURVEYOR		
TRAFFIC DIVISION		
PARK DEPARTMENT		
STREET SERVICES		

**CITY OF RIVERSIDE**  
PUBLIC WORKS DEPARTMENT

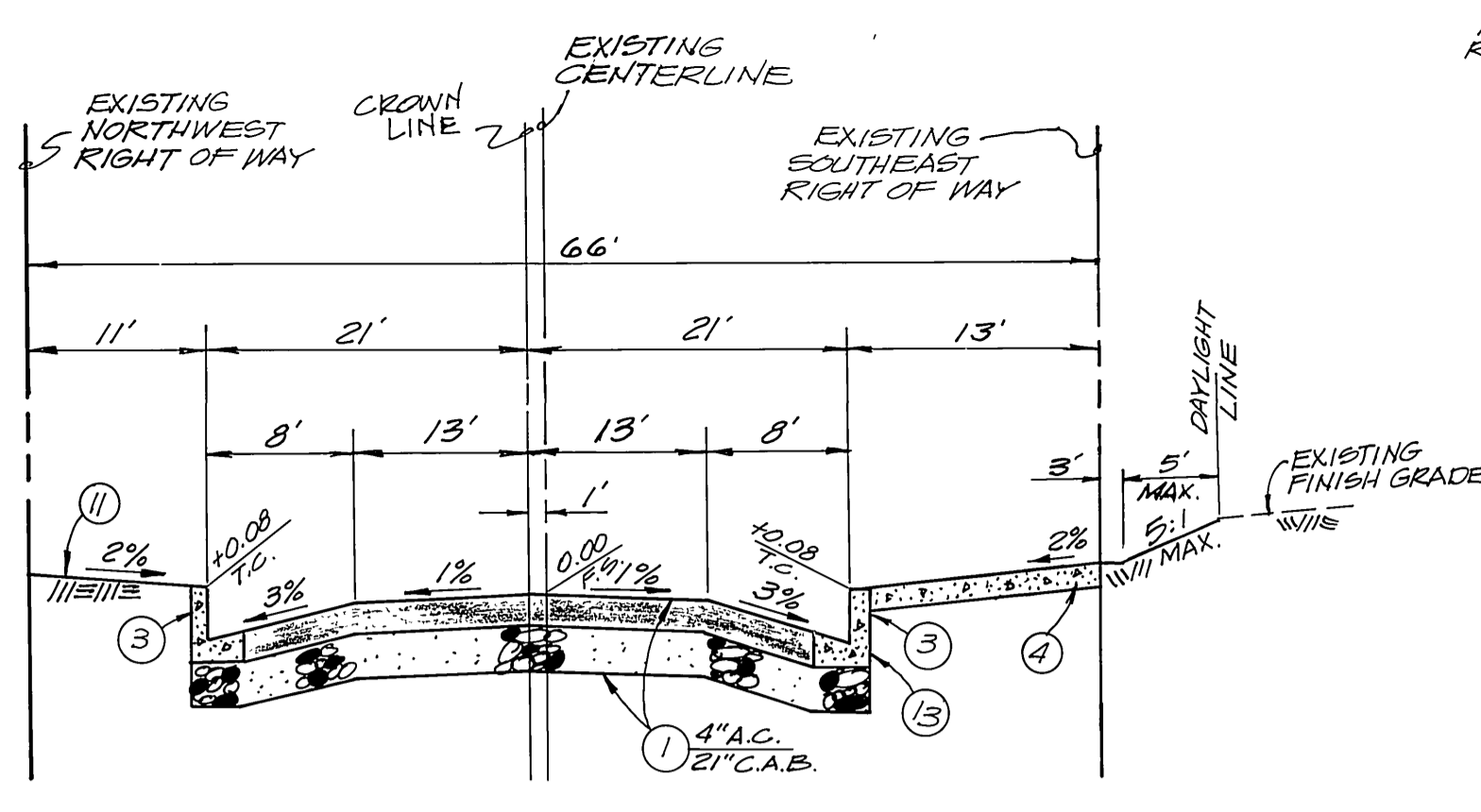
STREET PLAN TITLE SHEET	ACCOUNT NO.
THE RIVERSIDE MARKET PLACE	R-3231
PARCEL MAP NO. 26301	
HORIZ. SCALE: 1" = 300'	VERT. SCALE: 1" =
SHEET 1 OF 17	

EDA PROJECT  
No. 07-01-03135



**VINE STREET**

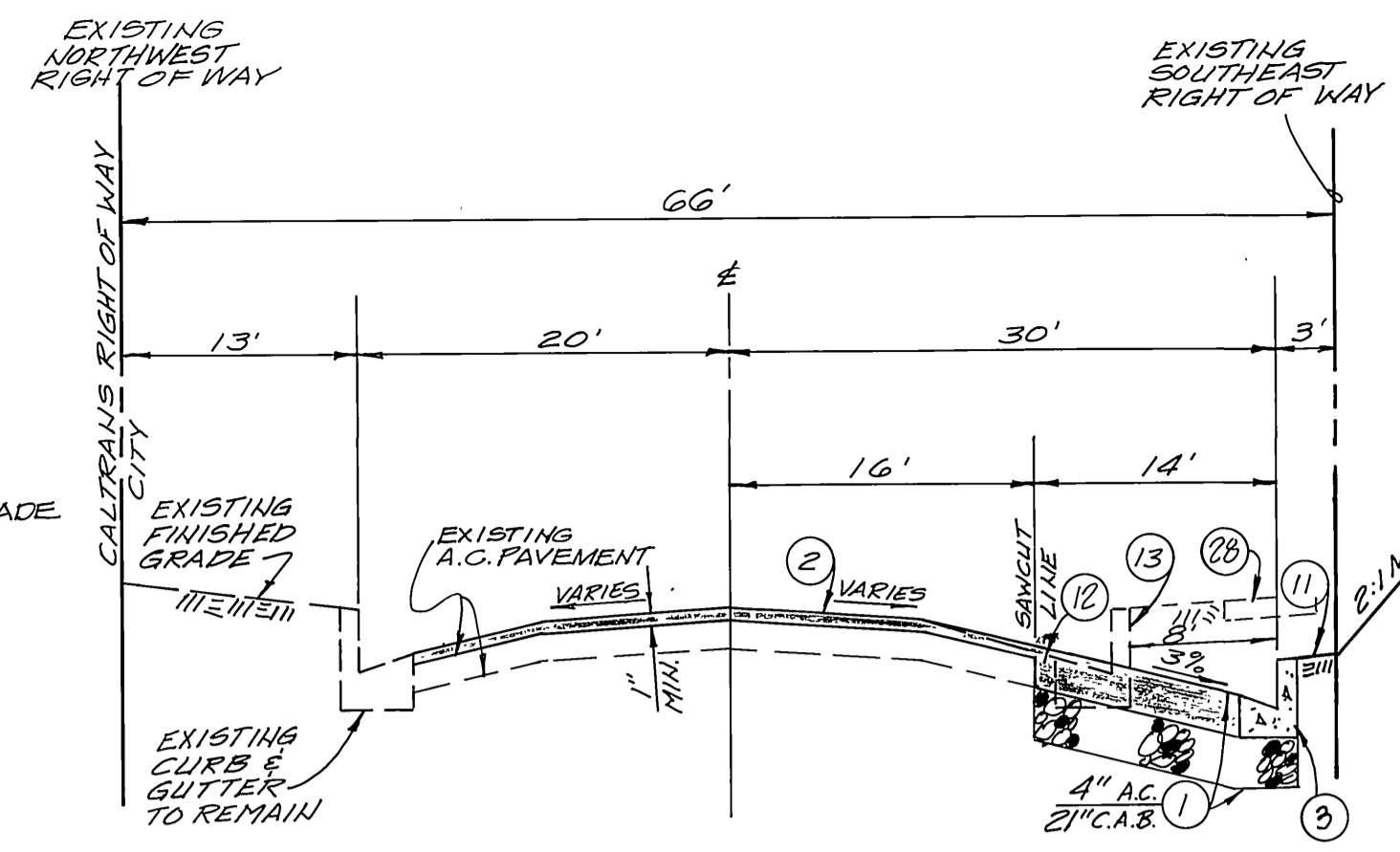
FROM STA. 28+28.76 TO STA. 31+88.43



**VINE STREET**

FROM STA. 38+23.70 TO STA. 39+62.53

FROM STA. 44+67.00 TO STA. 55+65.53

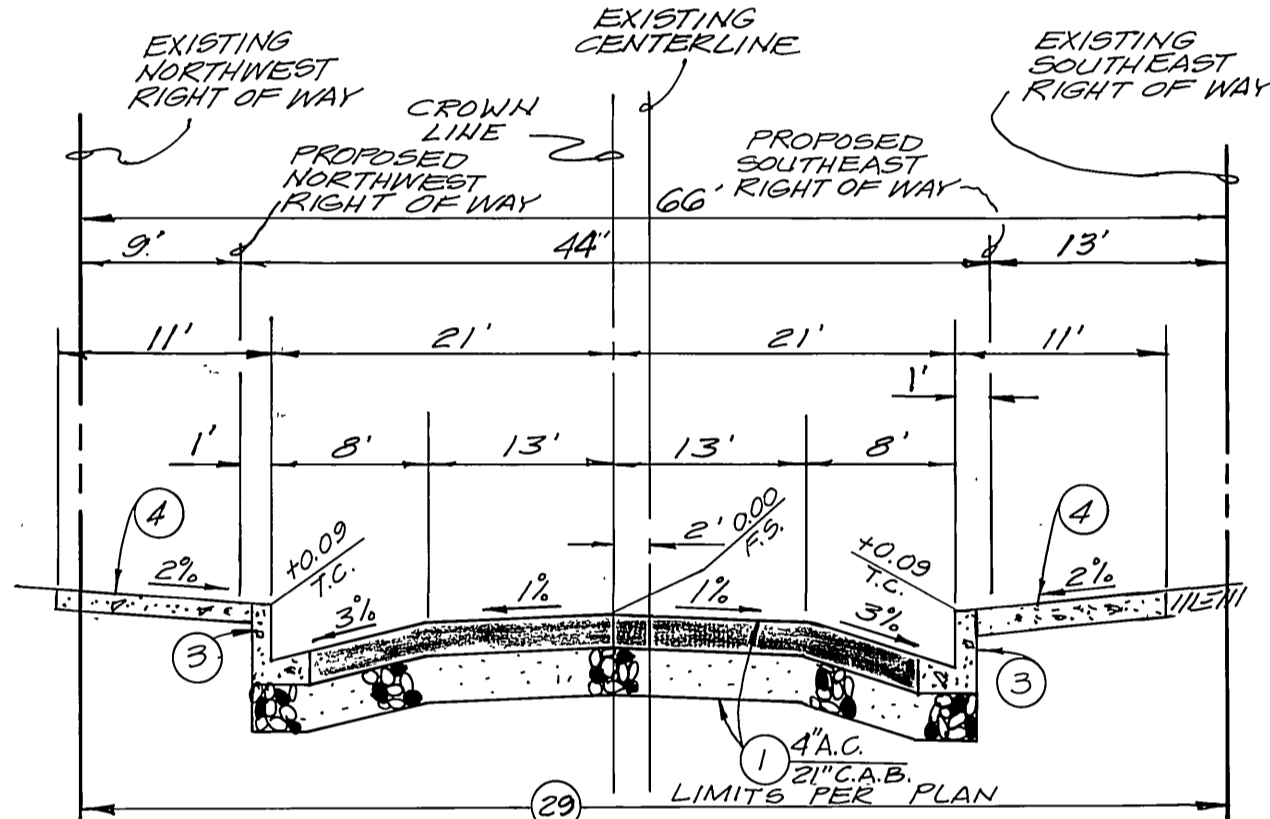


**MULBERRY STREET**

FROM STA. 2+41.04 TO STA. 5+74.71

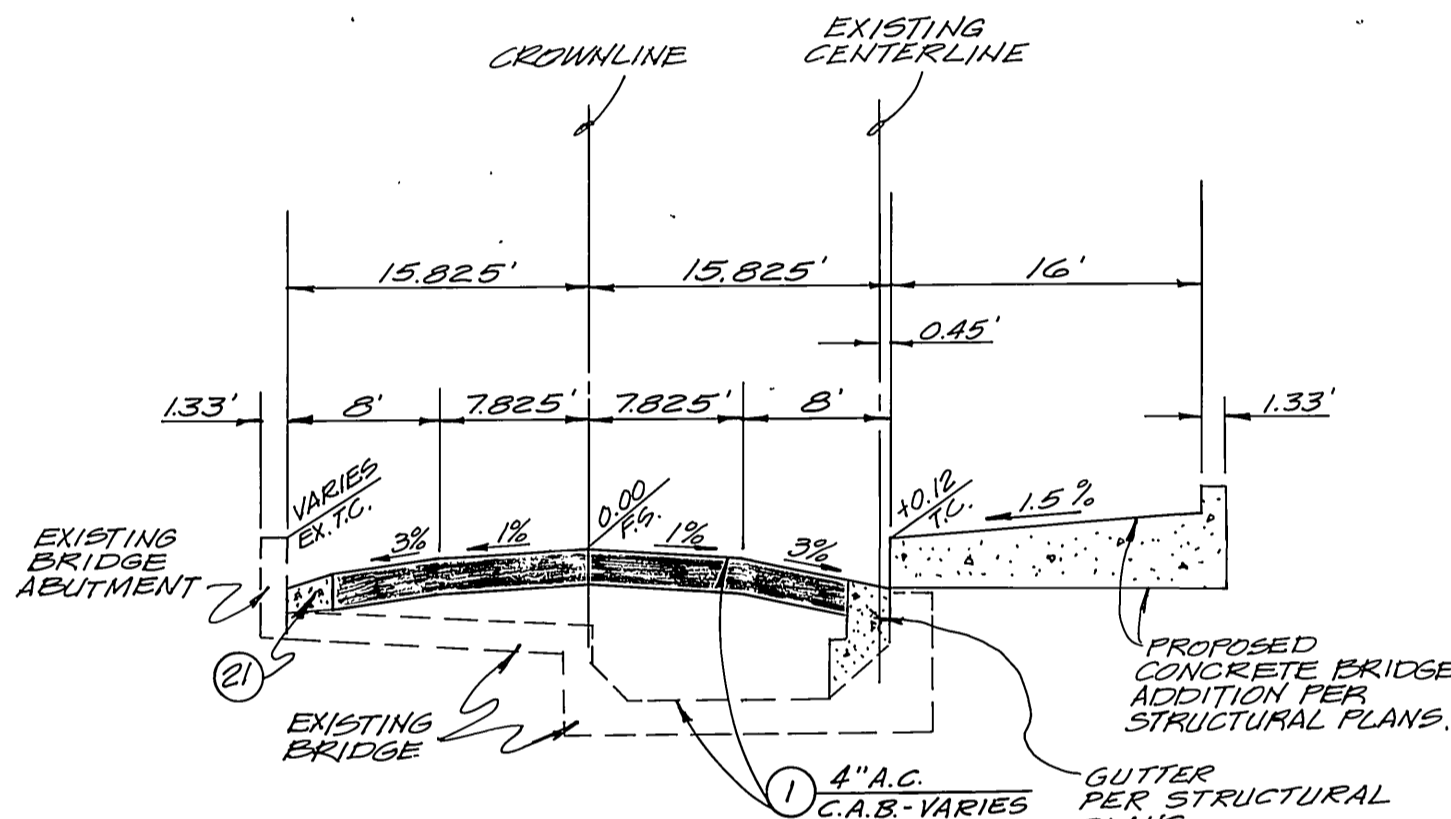
**CONSTRUCTION NOTES**

- 1 CONSTRUCT A.C. PAVING OVER C.A.B. PER PLAN.
- 2 CONSTRUCT 1" (MIN.) A.C. OVERLAY.
- 3 CONSTRUCT TYPE I CONCRETE CURB AND GUTTER (6") PER CITY OF RIVERSIDE STD. DWG. NO. 200.
- 4 CONSTRUCT CONCRETE SIDEWALK PER CITY OF RIVERSIDE STD. DWG. NO. 325. SEE APPROVED LANDSCAPED PLANS FOR TREE WELL LOCATION. GRADE ONLY.
- 11 REMOVE EXISTING PAVEMENT.
- 12 REMOVE EXISTING CURB AND GUTTER.
- 18 CONSTRUCT TYPE II CONCRETE CURB (6") PER CITY OF RIVERSIDE STD. DWG. NO. 200.
- 21 CONSTRUCT CONCRETE GUTTER PER DETAIL ON SHEET 8.
- 28 REMOVE EXISTING PAVEMENT - CONCRETE.
- 29 EXISTING A.C. AND CONCRETE PAVEMENT, CURB & GUTTER, AND CONCRETE WALK TO BE REMOVED BY OTHERS.
- 50 CONSTRUCT 3 1/2" CONCRETE PAVEMENT ON SUBGRADE.



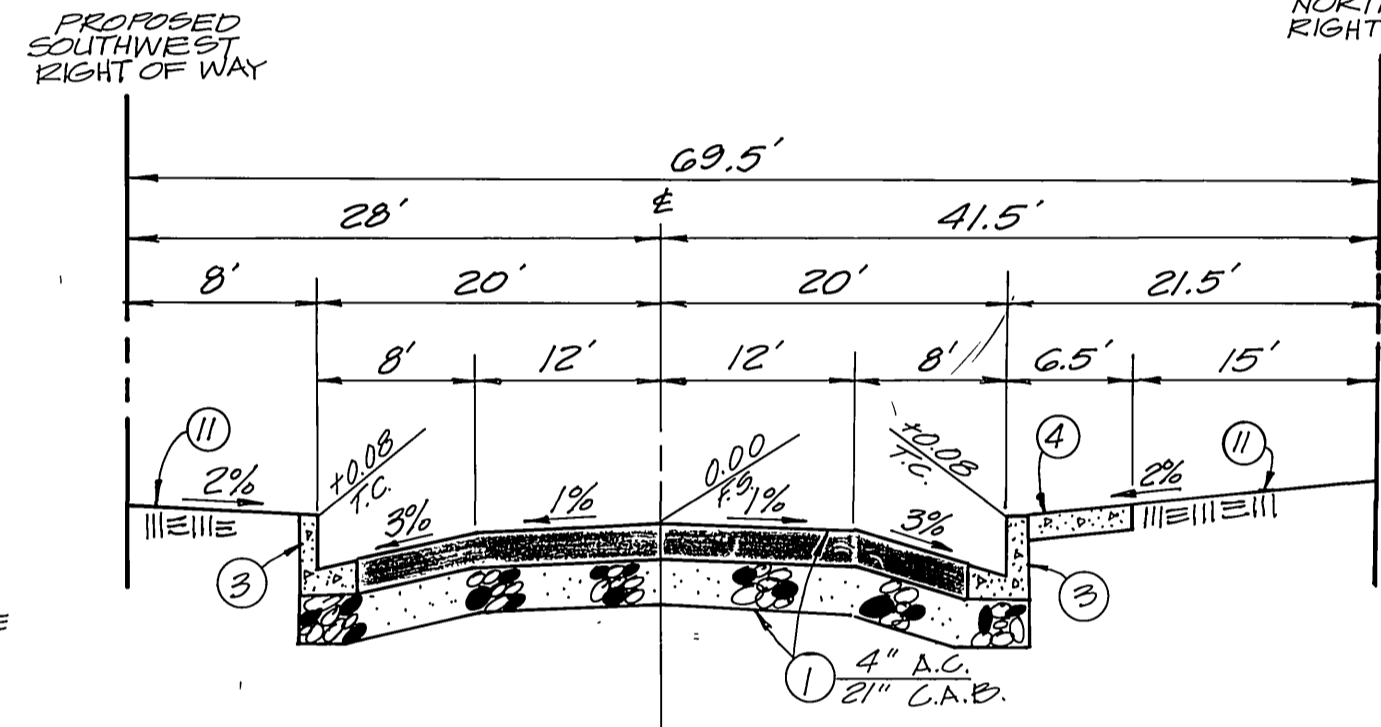
**VINE STREET**

FROM STA. 19+04.76 TO STA. 27+96.76



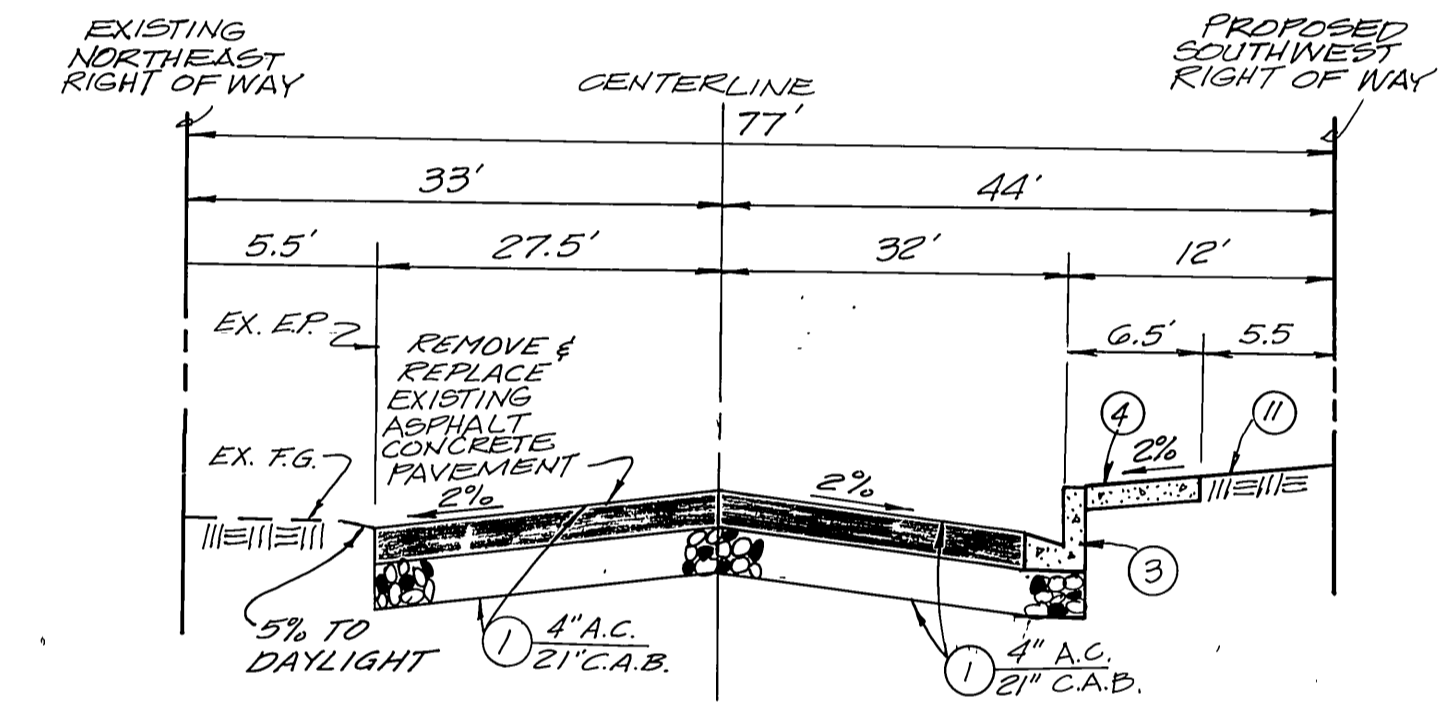
**VINE STREET**

FROM STA. 35+67.28 TO STA. 36+31.28



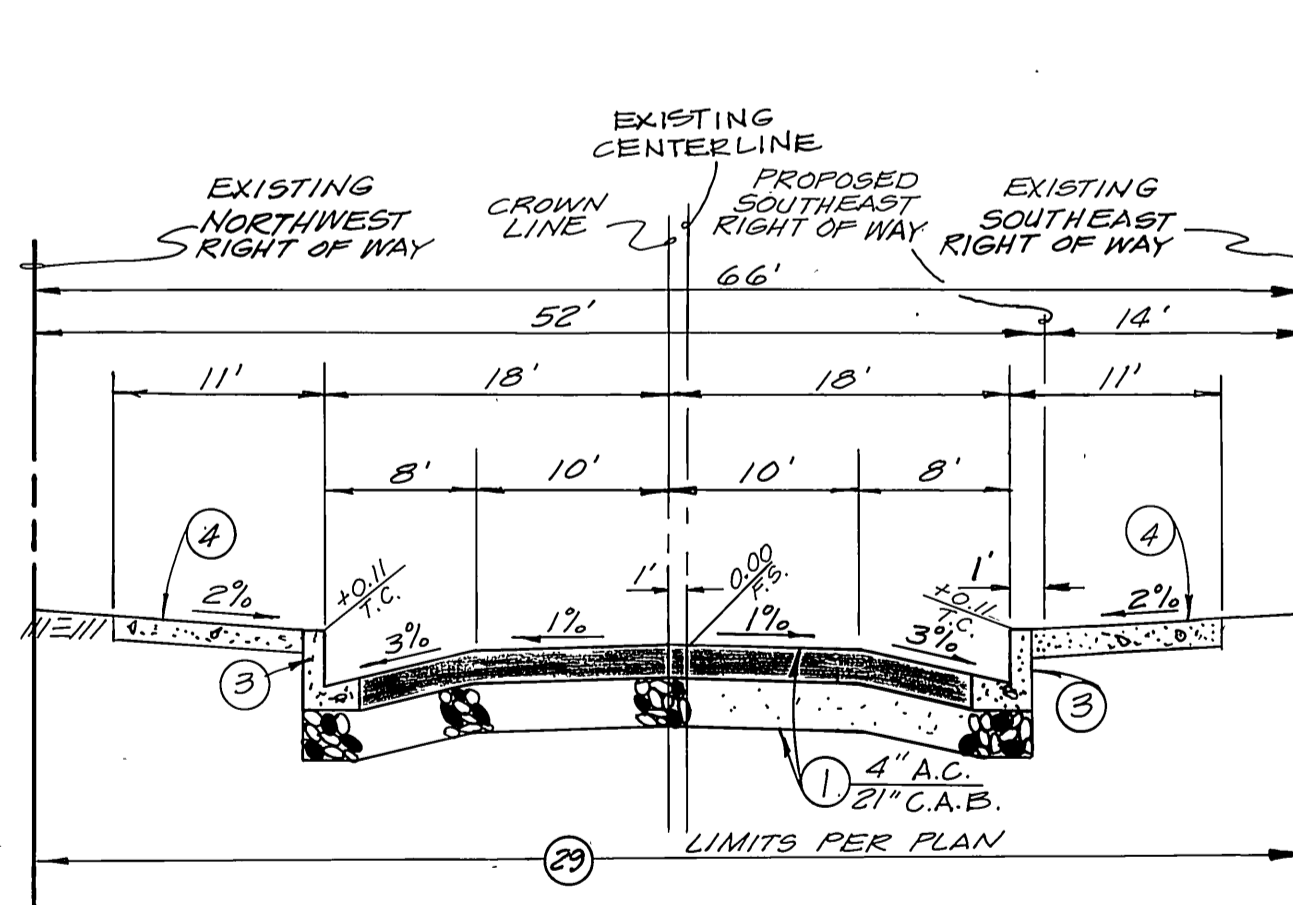
**NINTH STREET**

FROM STA. 0+60.91 TO STA. 3+32.19



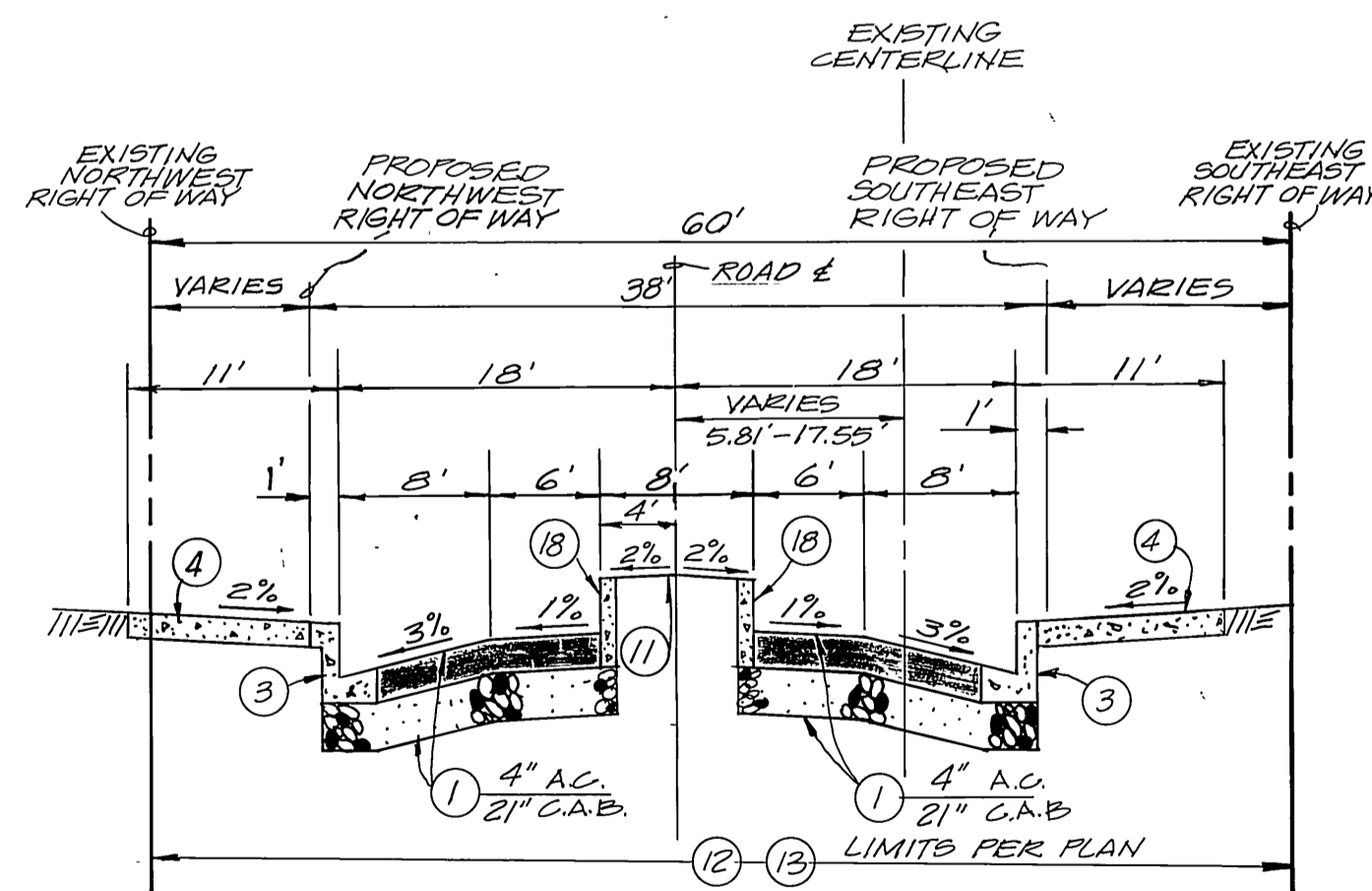
**THIRD STREET**

FROM STA. 9+97.66 TO STA. 13+42.65



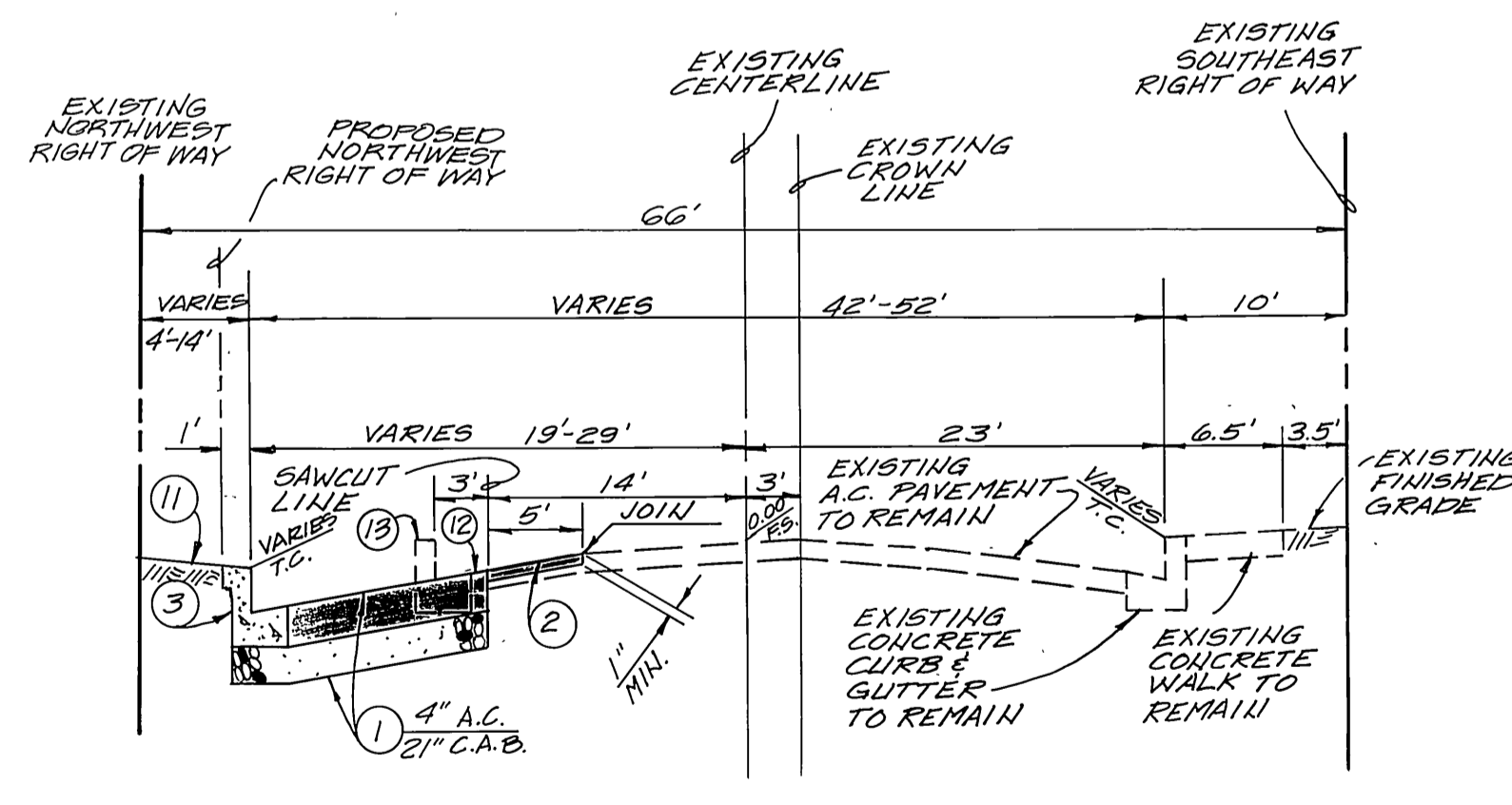
**VINE STREET**

FROM STA. 14+05.36 TO STA. 17+24.76



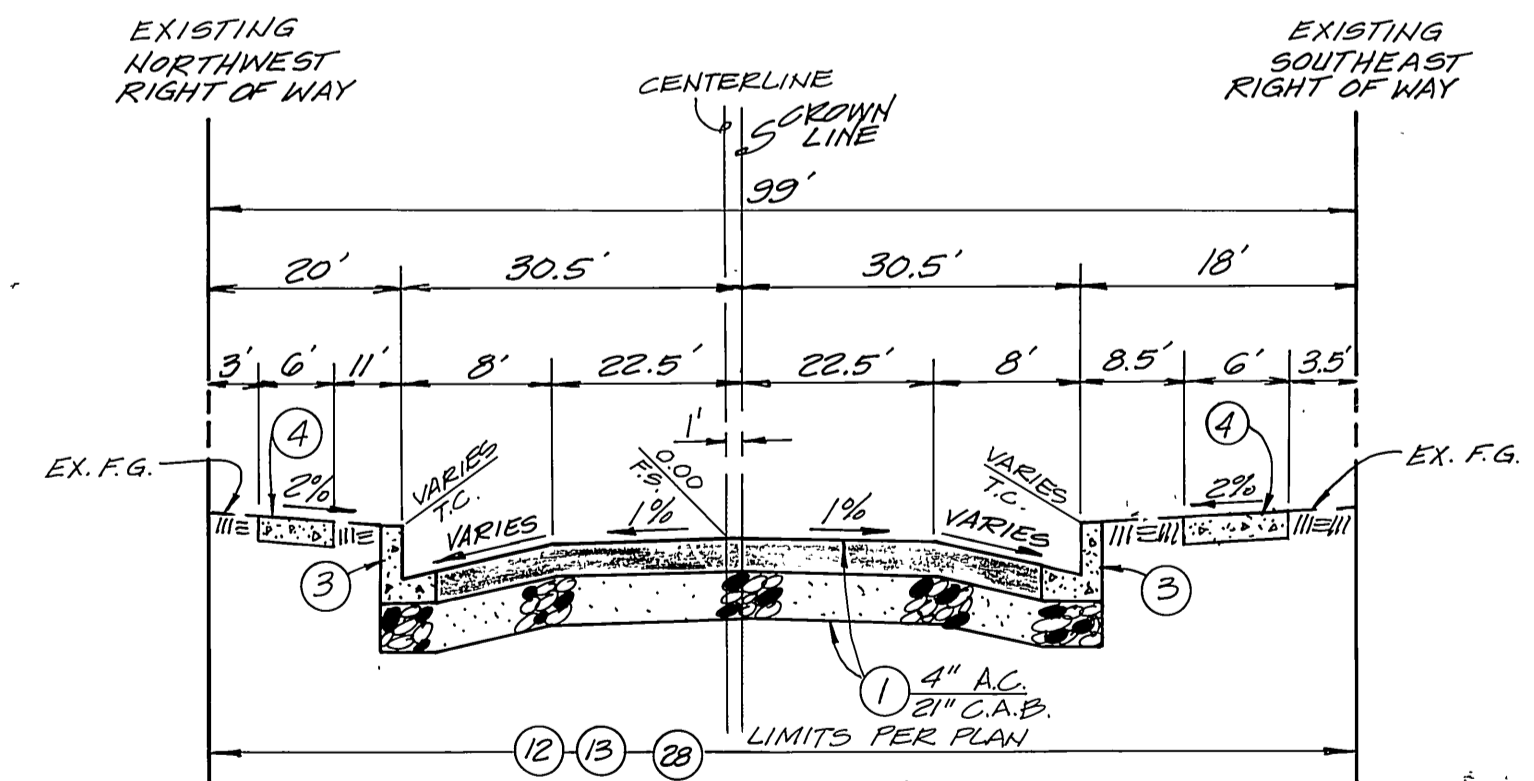
**VINE STREET**

FROM STA. 32+66.69 TO STA. 34+29.27



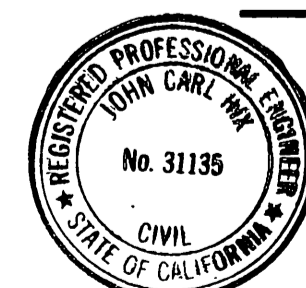
**VINE STREET**

FROM STA. 40+93.57 TO STA. 43+67.77



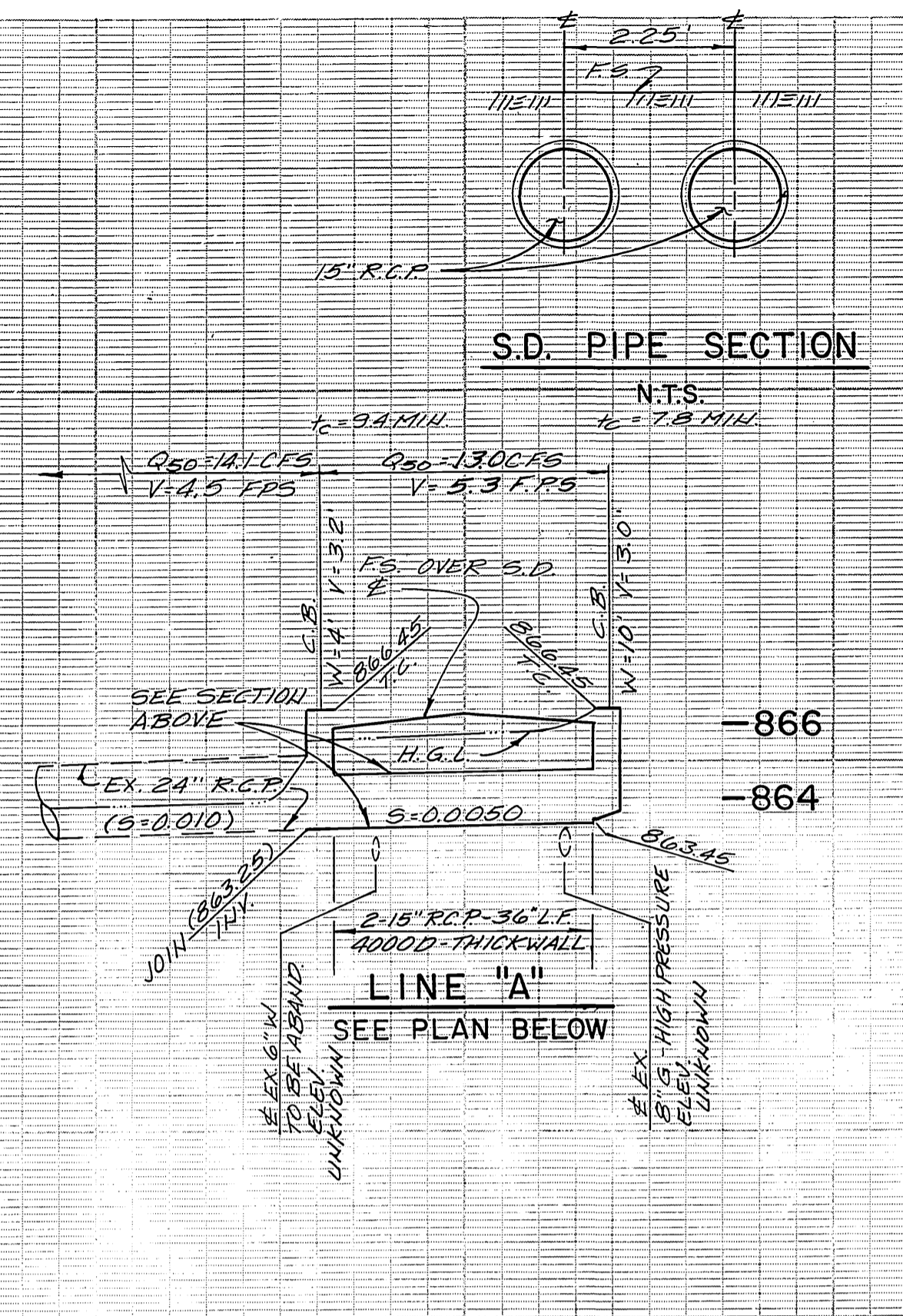
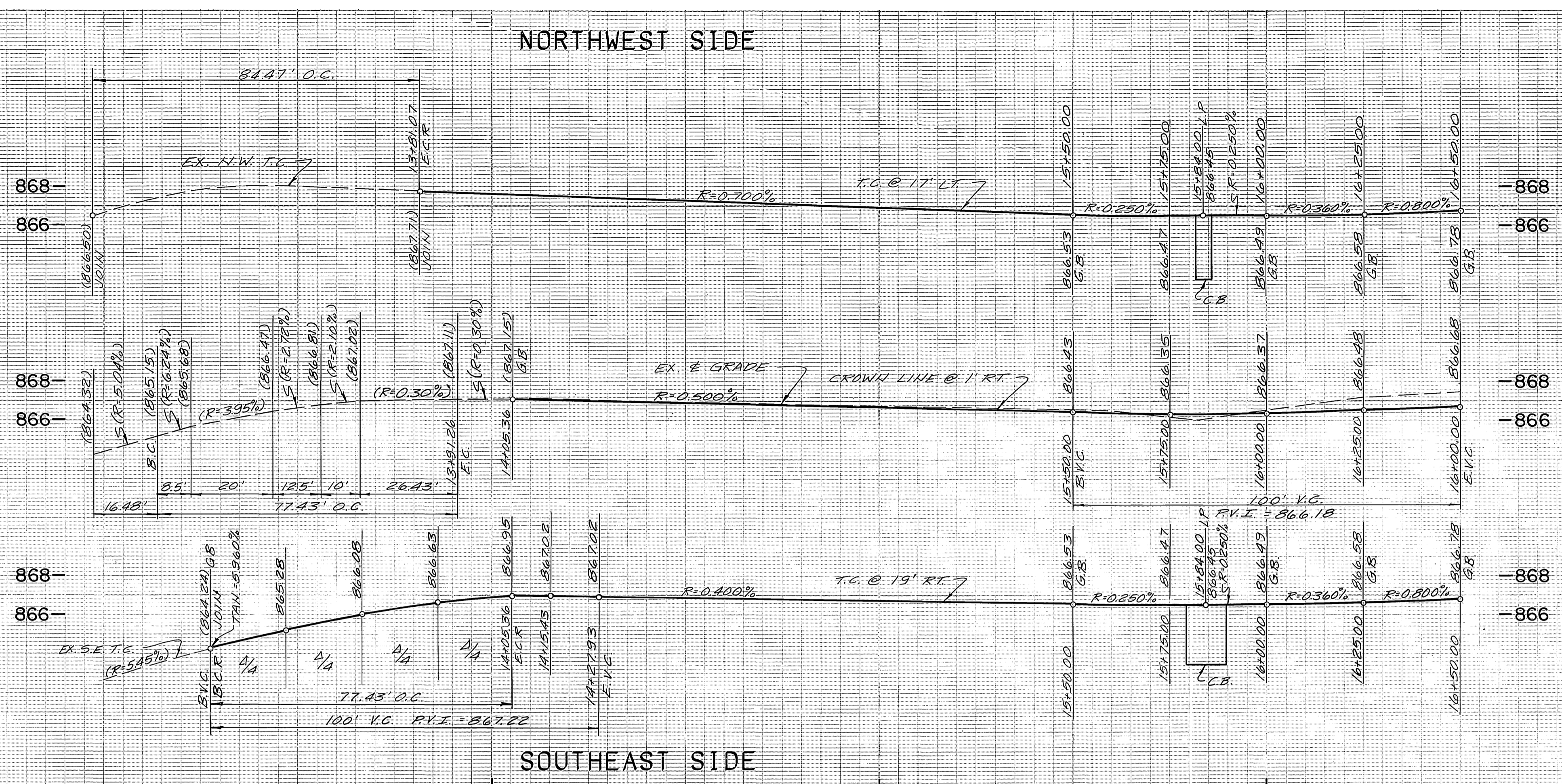
**SEVENTH STREET**

FROM STA. 2+80.00 TO STA. 4+36.00

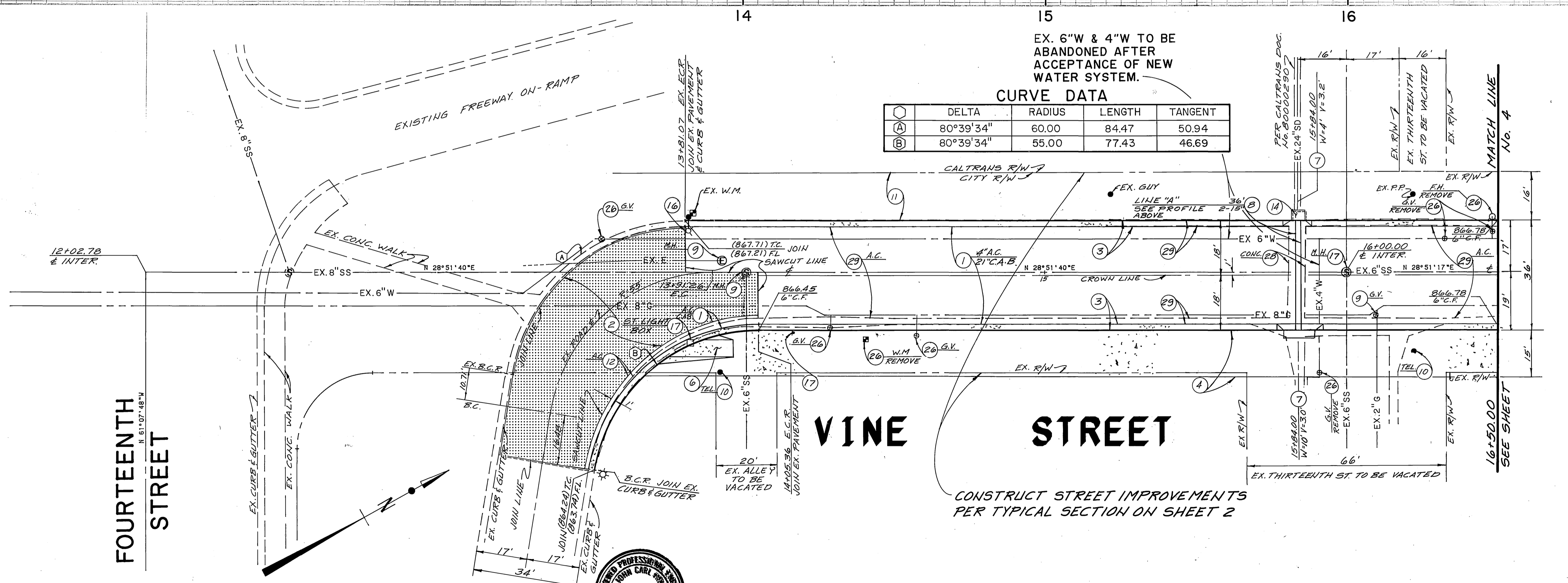


CENCOM CABLE T.V. Approved _____ Date _____	SO. CALIF. GAS CO. Approved _____ Date _____	CITY OF RIVERSIDE - WATER SYSTEM Richard L. Dredel 7-5-91 Approved _____ Date _____	<b>PSOMAS</b> Psomas & Associates-Riverside 3901 Line Street Riverside, California 92501 714/787-8421 Engineers Surveyors Planners	<b>CITY OF RIVERSIDE</b> PUBLIC WORKS DEPARTMENT APPROVED BY _____ DATE _____ BY _____ PRINCIPAL ENGINEER CHIEF P.W. INSPECTOR SURVEYOR TRAFFIC DIVISION PARK DEPARTMENT STREET SERVICES	STREET PLAN TYPICAL SECTIONS THE RIVERSIDE MARKET PLACE PARCEL MAP NO. 26301 AS BUILT 11/16/94 ACCOUNT NO. R-3231 SHEET 2 OF 17
PACIFIC BELL Approved _____ Date _____	CITY OF RIVERSIDE - ELECTRIC Approved _____ Date _____	PLANS PREPARED UNDER THE DIRECTION OF JOHN HIX R.C.E. 31135 DATE _____	DESIGNED BY S.E. DRAWN BY M.U. CHECKED BY J.C.H. 7/5/91 E.U.	DATE 7/5/91	HORIZ. SCALE: 1" = 10' VERT. SCALE: 1" = 2'





**PROFILE SCALE**  
 HORIZ.: 1"=20'  
 VERT.: 1"=4'



**CURVE DATA**

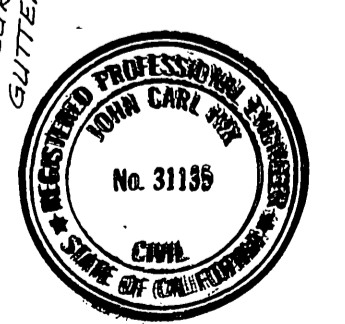
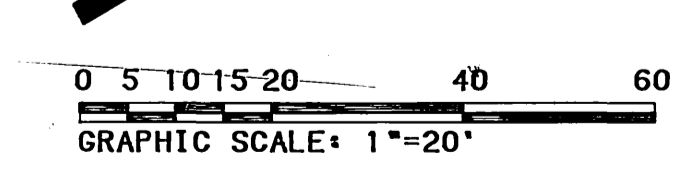
DELTA	RADIUS	LENGTH	TANGENT
A	80°39'34"	60.00	84.47
B	80°39'34"	55.00	77.43

- CONSTRUCTION NOTES**
- CONSTRUCT A.C. PAVING OVER C.A.B. PER PLAN.
  - CONSTRUCT 1" (MIN.) A.C. OVERLAY.
  - CONSTRUCT TYPE I CONCRETE CURB AND GUTTER (6") PER CITY OF RIVERSIDE STD. DWG. NO. 200.
  - CONSTRUCT CONCRETE SIDEWALK PER CITY OF RIVERSIDE STD. DWG. NO. 325.
  - CONSTRUCT CONCRETE DRIVEWAY APPROACH PER CITY OF RIVERSIDE STD. DWG. NO. 302.
  - CONSTRUCT WHEELCHAIR RAMP PER CITY OF RIVERSIDE STD. DWG. NO. 304.
  - CONSTRUCT CATCH BASIN PER CITY OF RIVERSIDE STD. DWG. NO. 405.
  - INSTALL STORM DRAIN R.C.P. SIZE PER PLAN.
  - ADJUST TO GRADE.
  - POLE TO BE RELOCATED BY OTHERS.
  - GRADE ONLY.
  - REMOVE EXISTING PAVEMENT.
  - REMOVE EXISTING CURB AND GUTTER.
  - REMOVE EXISTING CATCH BASIN.
  - REMOVE EXISTING SIGN.
  - REMOVE EXISTING STREET LIGHT.
  - TO BE REMOVED OR RELOCATED BY OTHERS.
  - TO BE REMOVED OR RELOCATED BY CITY OF RIVERSIDE PUBLIC UTILITIES, WATER DEPARTMENT.
  - EXISTING A.C. AND CONCRETE PAVEMENT, CURB & GUTTER, AND CONCRETE WALK TO BE REMOVED BY OTHERS.
  - REMOVE EXISTING PAVEMENT - CONCRETE.

**FOURTEENTH STREET**

**VINE STREET**

CONSTRUCT STREET IMPROVEMENTS PER TYPICAL SECTION ON SHEET 2

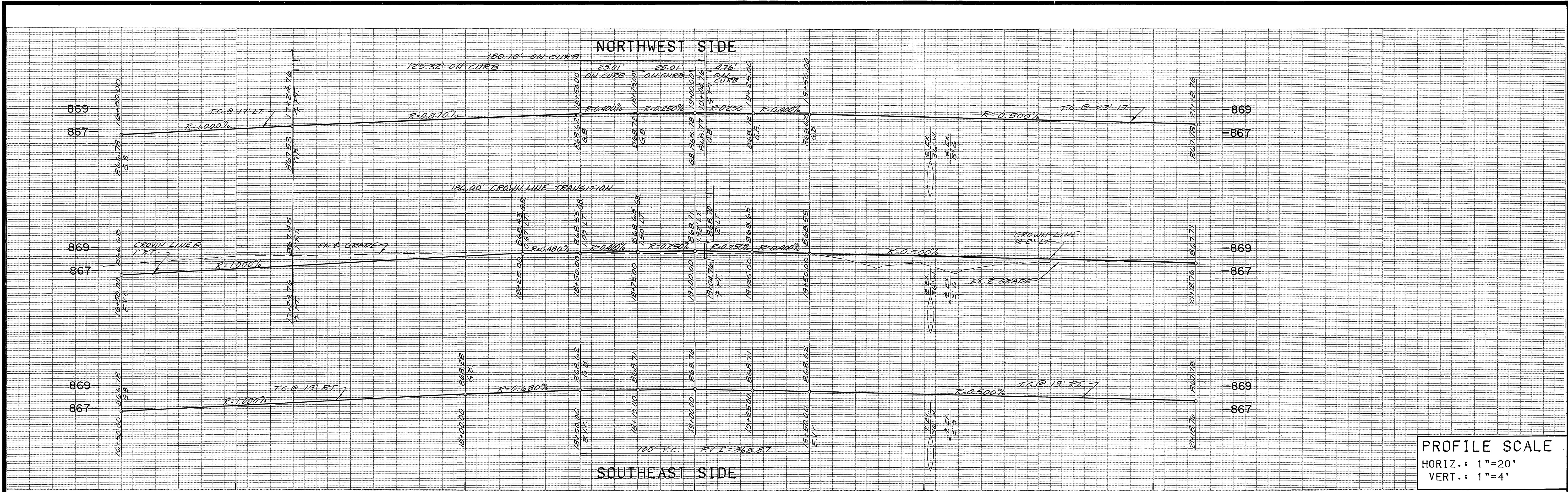


CENCOM CABLE T.V. Approved _____ Date _____	SO. CALIF. GAS CO. Approved _____ Date _____	CITY OF RIVERSIDE - WATER SYSTEM Richard J. Drotlik 7-5-71 Approved _____ Date _____	<b>PSOMAS</b> Peano & Associates-Riverside 3901 Line Street Riverside, California 92501 714/787-8421	CITY OF RIVERSIDE PUBLIC WORKS DEPARTMENT APPROVED BY: [Signature] DATE: 7/5/91	STREET PLAN AND PROFILE <b>VINE STREET</b> FROM 13+81.07 TO 16+50.00 THE RIVERSIDE MARKET PLACE	ACCOUNT NO. R-3231
PACIFIC BELL Approved _____ Date _____	CITY OF RIVERSIDE - ELECTRIC Approved _____ Date _____	PLANS PREPARED UNDER THE DIRECTION OF John Hix R.C.E. 31135 5/15/91 DATE			DESIGNED BY: S.E. DRAWN BY: M.V. CHECKED BY: [Signature] 7/5/91	REVISIONS: [Table with 3 entries]

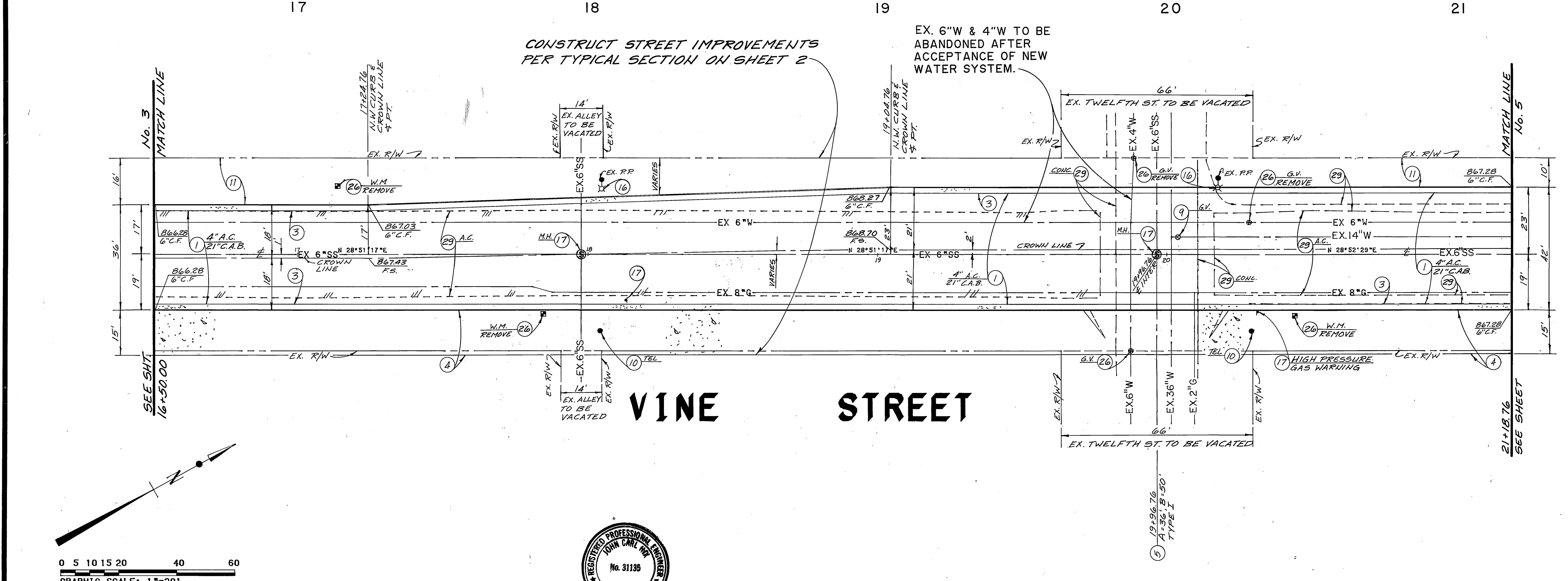
EDA PROJECT  
 NO. 07-01-03135  
 AS BUILT 11/16/92

INDEXED 6-17-92 LH

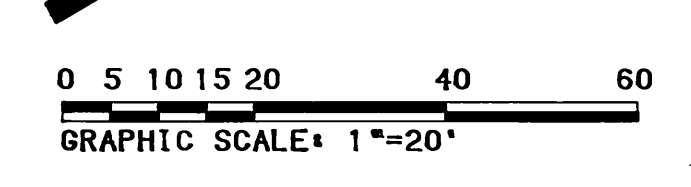




**PROFILE SCALE**  
 HORIZ.: 1"=20'  
 VERT.: 1"=4'



- CONSTRUCTION NOTES**
- 1 CONSTRUCT A.C. PAVING OVER C.A.B. PER PLAN.
  - 3 CONSTRUCT TYPE 1 CONCRETE CURB AND GUTTER (6") PER CITY OF RIVERSIDE STD. DWG. NO. 200.
  - 4 CONSTRUCT CONCRETE SIDEWALK PER CITY OF RIVERSIDE STD. DWG. NO. 325.
  - 5 CONSTRUCT CONCRETE DRIVEWAY APPROACH PER CITY OF RIVERSIDE STD. DWG. NO. 302.
  - 9 ADJUST TO GRADE.
  - 10 POLE TO BE RELOCATED BY OTHERS.
  - 11 GRADE ONLY.
  - 12 REMOVE EXISTING PAVEMENT.
  - 13 REMOVE EXISTING CURB AND GUTTER.
  - 15 REMOVE EXISTING SIGN.
  - 16 REMOVE EXISTING STREET LIGHT.
  - 17 TO BE REMOVED OR RELOCATED BY OTHERS.
  - 26 TO BE REMOVED OR RELOCATED BY CITY OF RIVERSIDE PUBLIC UTILITIES, WATER DEPARTMENT.
  - 29 EXISTING A.C. AND CONCRETE PAVEMENT, CURB & GUTTER, AND CONCRETE WALK TO BE REMOVED BY OTHERS.



CENCOM CABLE T.V. Approved _____ Date _____		SO. CALIF. GAS CO. Approved _____ Date _____		CITY OF RIVERSIDE - WATER SYSTEM Richard L. DeLute 7-5-91 Approved _____ Date _____		<b>PSOMAS</b> Peones & Associates-Riverside 3901 Line Street Riverside, California 92501 714/787-8421		<b>CITY OF RIVERSIDE</b> PUBLIC WORKS DEPARTMENT		STREET PLAN AND PROFILE <b>VINE STREET</b> FROM 16+50.00 TO 21+18.76 THE RIVERSIDE MARKET PLACE		ACCOUNT NO. R-3231 SHEET 4 OF 17	
PACIFIC BELL Approved _____ Date _____		CITY OF RIVERSIDE - ELECTRIC Approved _____ Date _____		PLANS PREPARED UNDER THE DIRECTION OF John Carl Hix 5/15/91 JOHN HIX R.C.E. 31135 DATE		Engineers Surveyors Planners		APPROVED BY DEPUTY P.W. DIRECTOR PRINCIPAL ENGINEER CHIEF P.W. INSPECTOR SURVEYOR TRAFFIC DIVISION PARK DEPARTMENT STREET SERVICES		APPROVED BY [Signature] PUBLIC WORKS DIRECTOR DATE 7/5/91		HORIZ. SCALE: 1"=20' VERT. SCALE: 1"=4'	

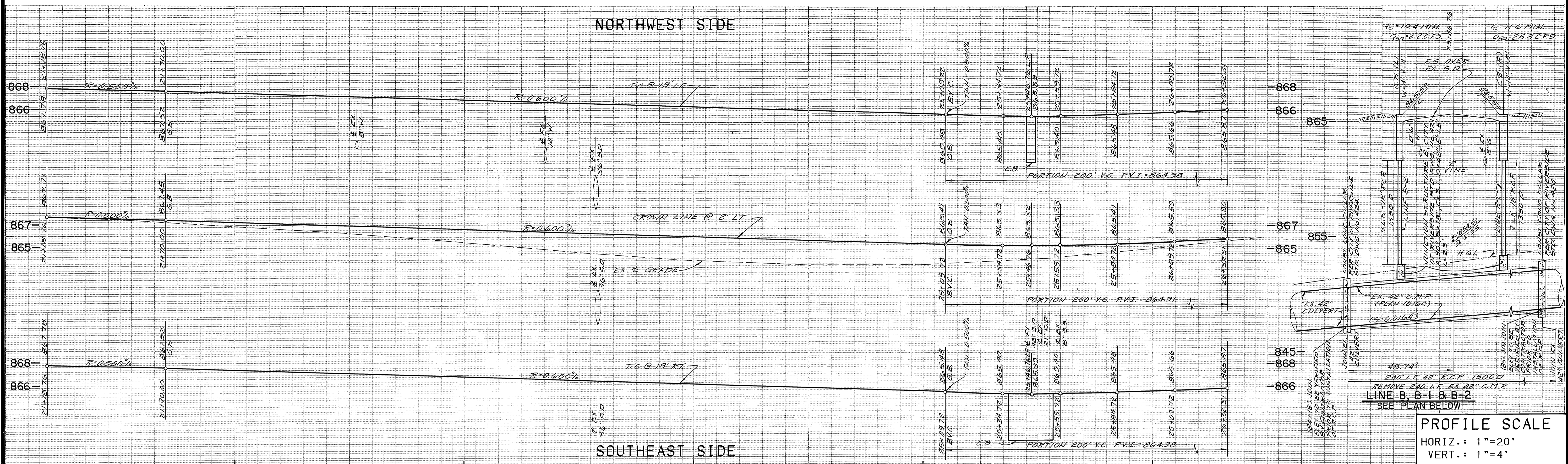
7/5/91 BH.

INDEXED 6-17-92 GH



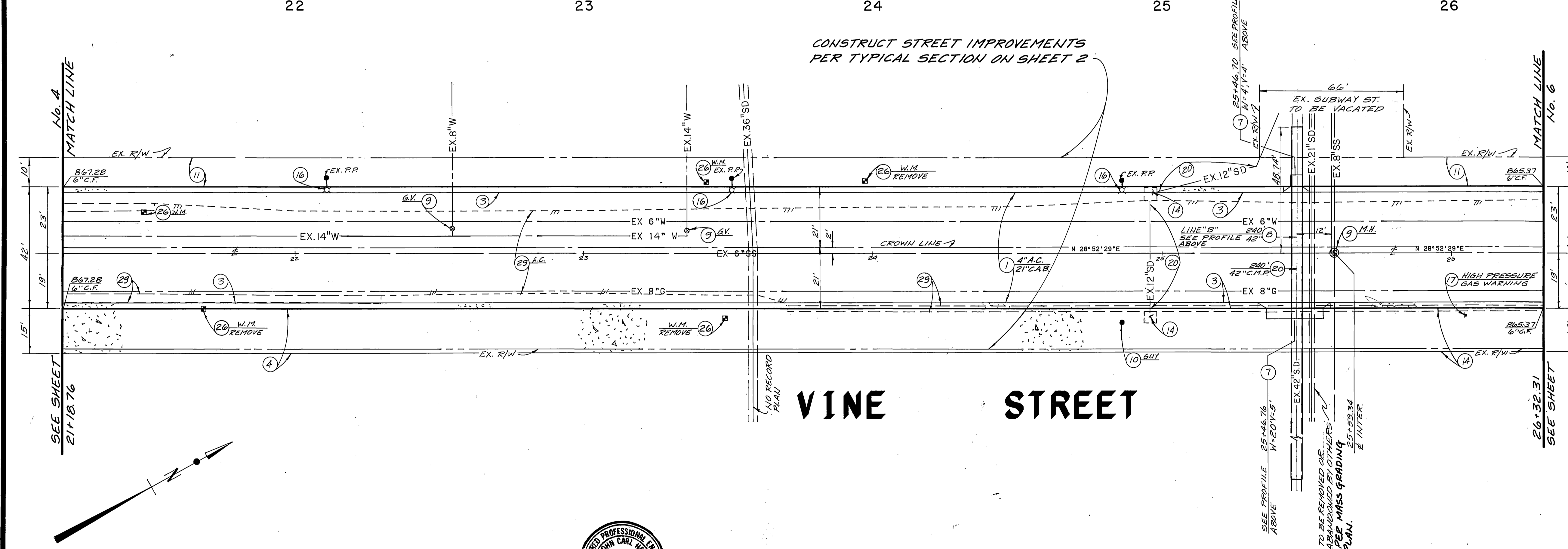
NORTHWEST SIDE

SOUTHEAST SIDE



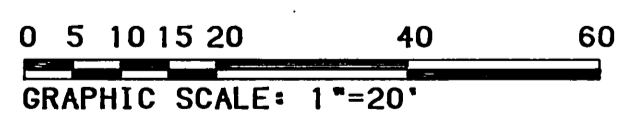
PROFILE SCALE  
 HORIZ.: 1"=20'  
 VERT.: 1"=4'

CONSTRUCT STREET IMPROVEMENTS  
 PER TYPICAL SECTION ON SHEET 2



CONSTRUCTION NOTES

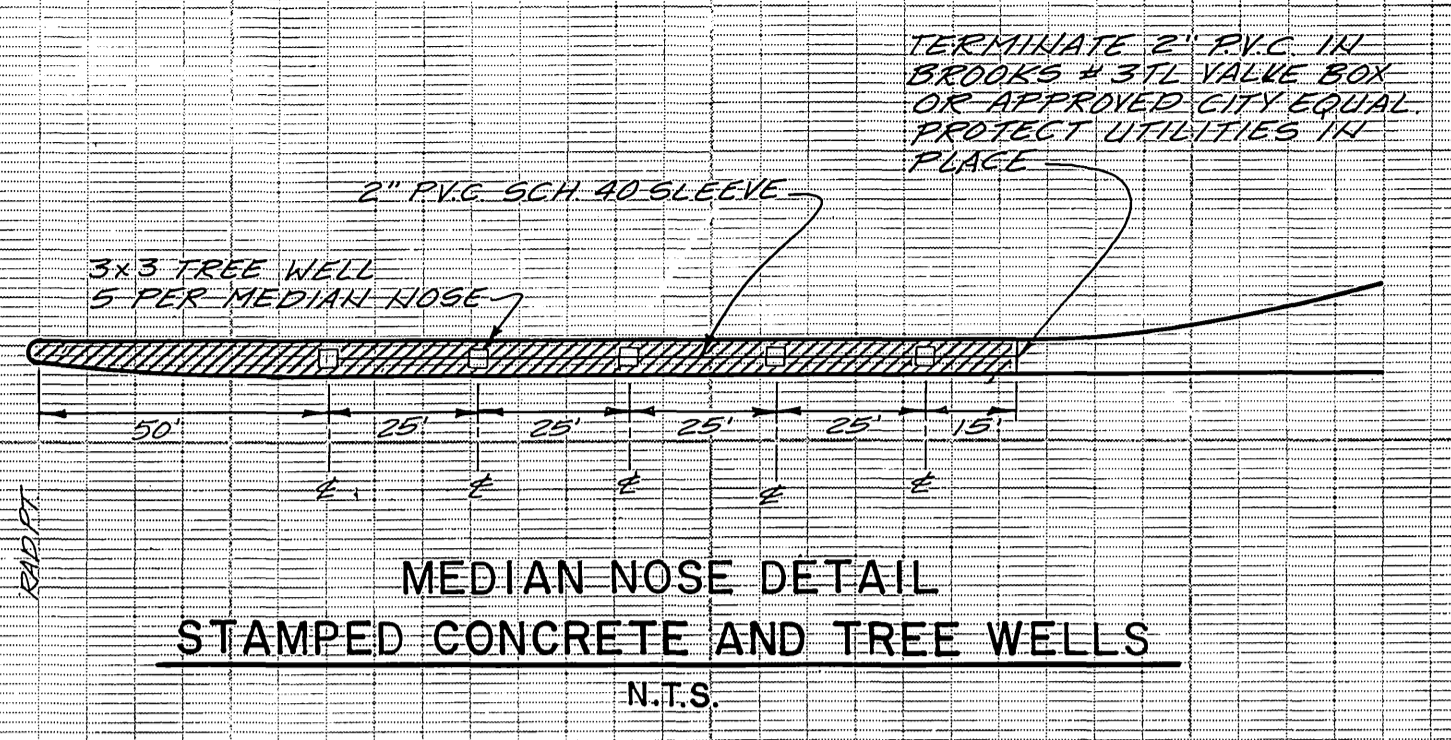
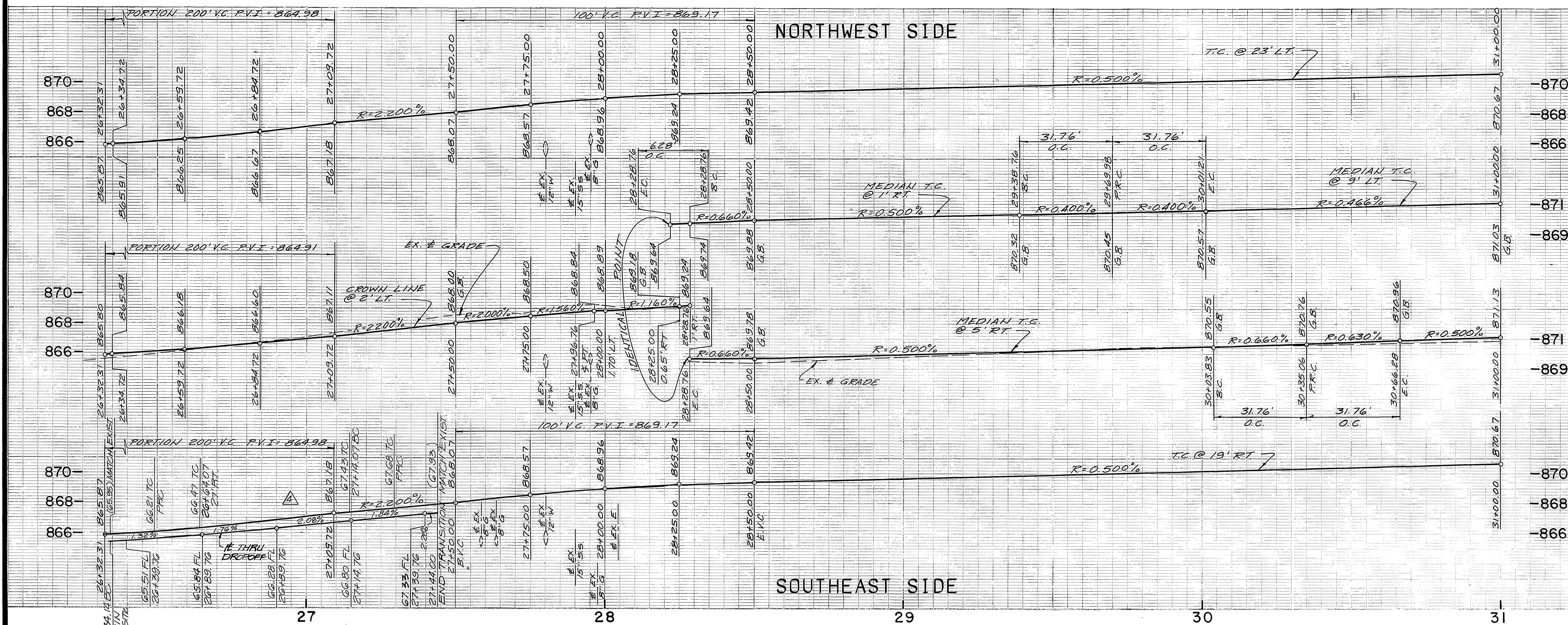
- 1 CONSTRUCT A.C. PAVING OVER C.A.B. PER PLAN.
- 3 CONSTRUCT TYPE I CONCRETE CURB AND GUTTER (6") PER CITY OF RIVERSIDE STD. DWG. NO. 200.
- 4 CONSTRUCT CONCRETE SIDEWALK PER CITY OF RIVERSIDE STD. DWG. NO. 325.
- 5 CONSTRUCT CONCRETE DRIVEWAY APPROACH PER CITY OF RIVERSIDE STD. DWG. NO. 302.
- 8 INSTALL STORM DRAIN R.C.P. SIZE PER PLAN.
- 9 ADJUST TO GRADE.
- 10 POLE TO BE RELOCATED BY OTHERS.
- 11 GRADE ONLY.
- 12 REMOVE EXISTING PAVEMENT.
- 13 REMOVE EXISTING CURB AND GUTTER.
- 14 REMOVE EXISTING CATCH BASIN.
- 15 REMOVE EXISTING SIGN.
- 16 REMOVE EXISTING STREET LIGHT.
- 17 TO BE REMOVED OR RELOCATED BY OTHERS.
- 20 REMOVE EXISTING STORM DRAIN PIPE.
- 7 CONSTRUCT CATCH BASIN PER CITY OF RIVERSIDE STD. DWG. NO. 405.
- 26 TO BE REMOVED OR RELOCATED BY CITY OF RIVERSIDE PUBLIC UTILITIES, WATER DEPARTMENT.
- 29 EXISTING A.C. AND CONCRETE PAVEMENT, CURB & GUTTER, AND CONCRETE WALK TO BE REMOVED BY OTHERS.



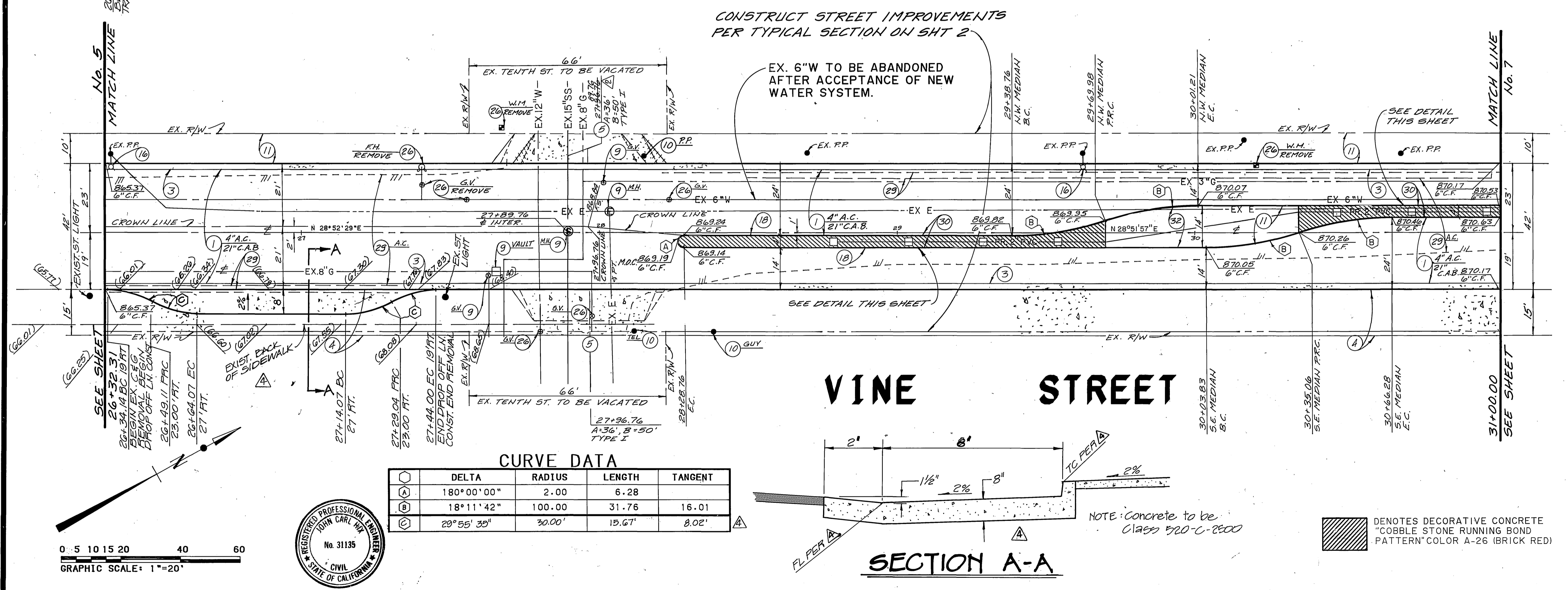
CENCOM CABLE T.V. Approved _____ Date _____		SO. CALIF. GAS CO. Approved _____ Date _____		CITY OF RIVERSIDE - WATER SYSTEM Richard J. Dinkel 7-5-91 Approved _____ Date _____		<b>PSOMAS</b> Parsons & Associates-Riverside 3901 Lina Street Riverside, California 92501 714/787-8421		<b>CITY OF RIVERSIDE</b> PUBLIC WORKS DEPARTMENT		STREET PLAN AND PROFILE <b>VINE STREET</b> FROM 21+18.76 TO 26+32.31 THE RIVERSIDE MARKET PLACE		ACCOUNT NO. R-3231 SHEET 5 OF 17	
PACIFIC BELL Approved _____ Date _____		CITY OF RIVERSIDE - ELECTRIC Approved _____ Date _____		PLANS PREPARED UNDER THE DIRECTION OF John Carl Hix 5/15/91 JOHN HIX R.C.E. 31135 DATE		Engineers Surveyors Planners		APPROVED BY DEPUTY P.W. DIRECTOR PRINCIPAL ENGINEER SURVEYOR INSPECTOR TRAFFIC DIVISION PARK DEPARTMENT STREET SERVICES		DATE 7/5/91		HORIZ. SCALE: 1"=20' VERT. SCALE: 1"=4'	

INDEXED: 6-17-92 Lft



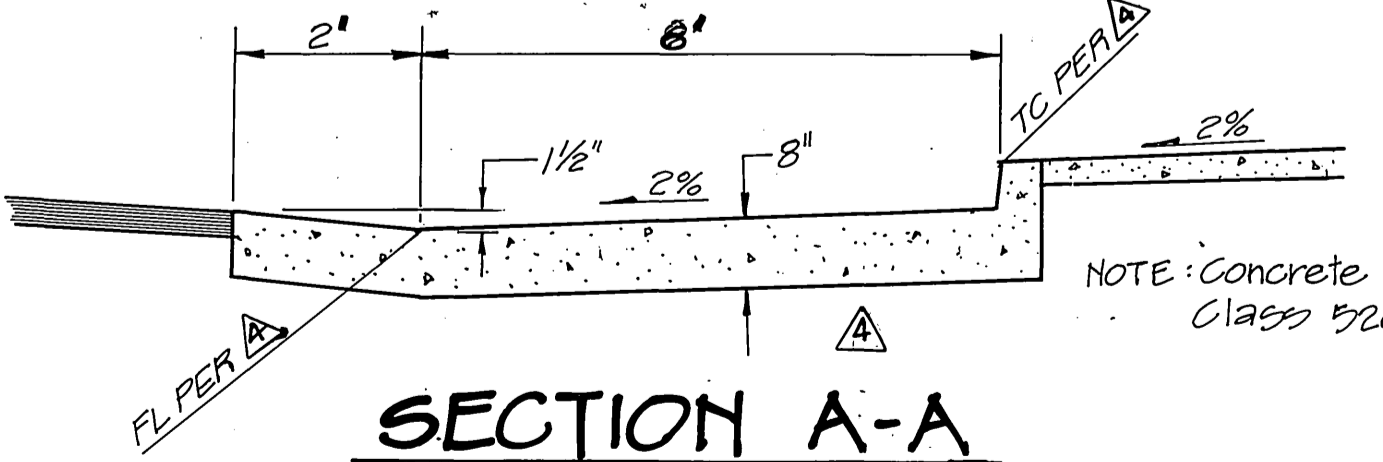


**PROFILE SCALE**  
 HORIZ.: 1"=20'  
 VERT.: 1"=4'



**CURVE DATA**

Δ	DELTA	RADIUS	LENGTH	TANGENT
(A)	180°00'00"	2.00	6.28	
(B)	18°11'42"	100.00	31.76	16.01
(C)	29°55'30"	30.00	19.67	8.02



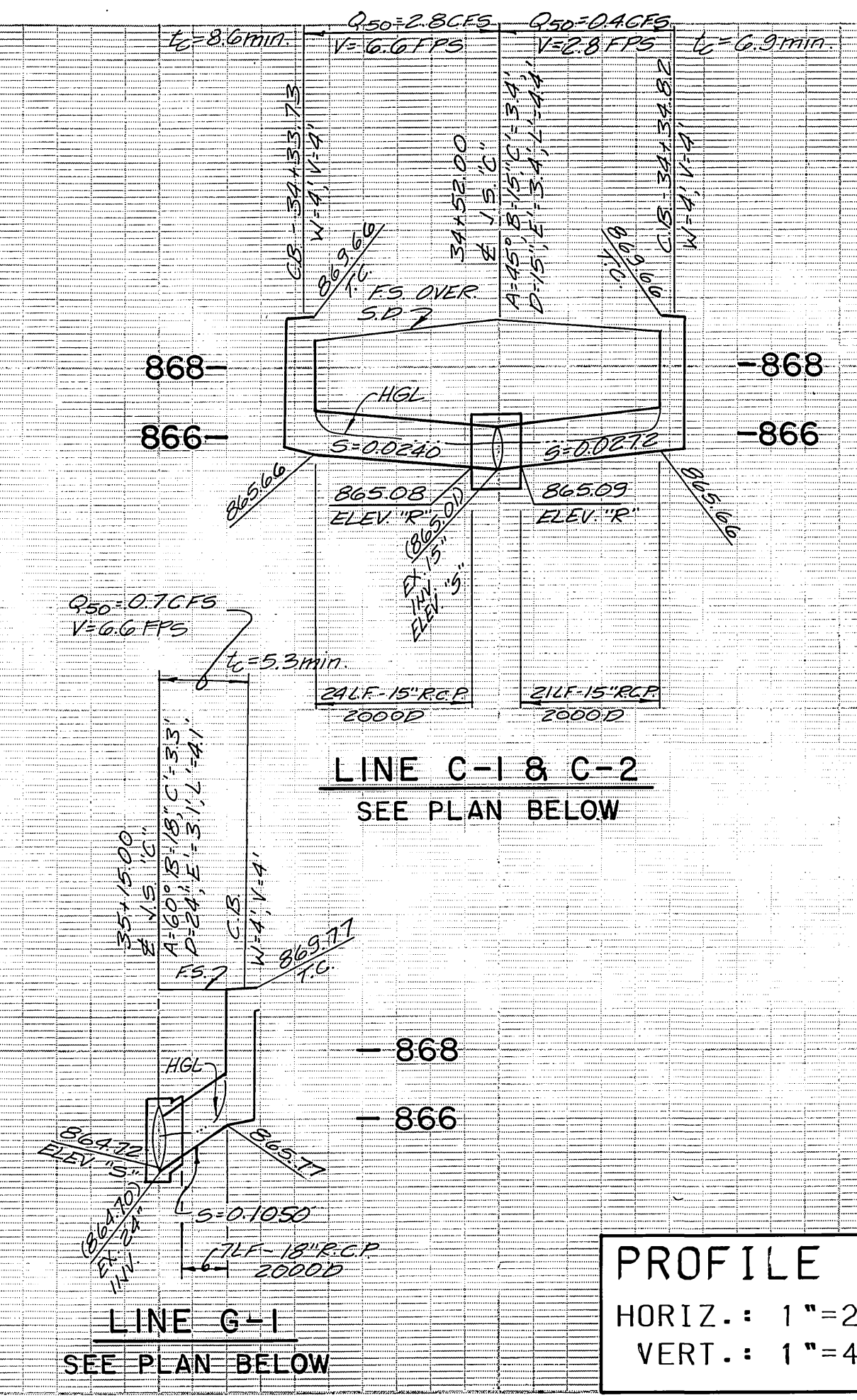
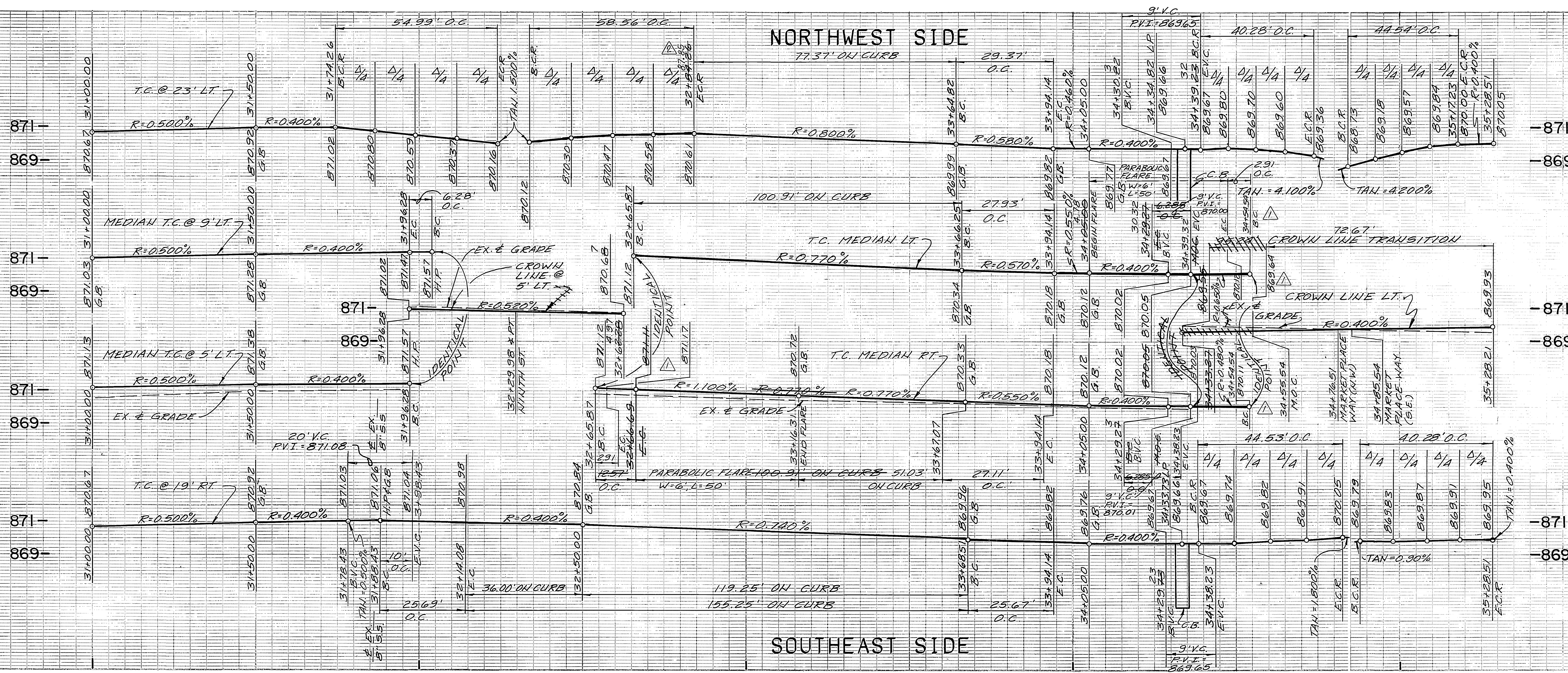
- CONSTRUCTION NOTES**
- CONSTRUCT A.C. PAVING OVER C.A.B. PER PLAN.
  - CONSTRUCT TYPE 1 CONCRETE CURB AND GUTTER (6") PER CITY OF RIVERSIDE STD. DWG. NO. 200.
  - CONSTRUCT CONCRETE SIDEWALK PER CITY OF RIVERSIDE STD. DWG. NO. 325.
  - CONSTRUCT CONCRETE DRIVEWAY APPROACH PER CITY OF RIVERSIDE STD. DWG. NO. 302.
  - ADJUST TO GRADE.
  - POLE TO BE RELOCATED BY OTHERS.
  - GRADE ONLY.
  - REMOVE EXISTING PAVEMENT.
  - REMOVE EXISTING CURB AND GUTTER.
  - REMOVE EXISTING SIGN.
  - REMOVE EXISTING STREET LIGHT.
  - TO BE REMOVED OR RELOCATED BY OTHERS.
  - CONSTRUCT TYPE 11 CONCRETE CURB (6") PER CITY OF RIVERSIDE STD. DWG. NO. 200.
  - TO BE REMOVED OR RELOCATED BY CITY OF RIVERSIDE PUBLIC UTILITIES, WATER DEPARTMENT.
  - EXISTING A.C. AND CONCRETE PAVEMENT, CURB & GUTTER, AND CONCRETE WALK TO BE REMOVED BY OTHERS.
  - CONSTRUCT 3 1/2" CONCRETE PAVEMENT ON SUBGRADE.
  - TO BE LANDSCAPED PER APPROVED LANDSCAPE PLANS.

0 5 10 15 20 40 60  
 GRAPHIC SCALE: 1"=20'



CENCOM CABLE T.V. Approved _____ Date _____	SO. CALIF. GAS CO. Approved _____ Date _____	CITY OF RIVERSIDE - WATER SYSTEM Richard L. Duda Approved _____ Date 7-5-91	<b>PSOMAS</b> Ponno & Associates-Riverside 3901 Line Street Riverside, California 92501 714/787-8421	Engineers Surveyors Planners	<b>CITY OF RIVERSIDE</b> <b>PUBLIC WORKS DEPARTMENT</b> APPROVED BY: [Signature] DEPUTY P.W. DIRECTOR PRINCIPAL ENGINEER CHIEF P.W. INSPECTOR SUPERVISOR TRAFFIC DIVISION PARK DEPARTMENT STREET SERVICES DATE: 7/5/91	STREET PLAN AND PROFILE <b>VINE STREET</b> FROM 26+32.31 TO 31+00.00 THE RIVERSIDE MARKET PLACE	ACCOUNT NO. R-3231 SHEET 6 OF 17
PACIFIC BELL Approved _____ Date _____	CITY OF RIVERSIDE - ELECTRIC Approved _____ Date _____	PLANS PREPARED UNDER THE DIRECTION OF John Carl Hix JOHN HIX R.C.E. 31135 DATE 5/15/91				DESIGNED BY: [Signature] DRAWN BY: [Signature] CHECKED BY: [Signature]	DATE: 7/5/91





**PROFILE SCALE**  
 HORIZ.: 1"=20'  
 VERT.: 1"=4'

**CONSTRUCTION NOTES**

1. CONSTRUCT A.C. PAVING OVER C.A.B. PER PLAN.
3. CONSTRUCT TYPE 1 CONCRETE CURB AND GUTTER (6") PER CITY OF RIVERSIDE STD. DWG. NO. 200.
4. CONSTRUCT CONCRETE SIDEWALK PER CITY OF RIVERSIDE STD. DWG. NO. 325.
5. CONSTRUCT CONCRETE DRIVEWAY APPROACH PER CITY OF RIVERSIDE STD. DWG. NO. 302.
7. CONSTRUCT CATCH BASIN PER CITY OF RIVERSIDE STD. DWG. NO. 405.
8. INSTALL STORM DRAIN R.C.P.. SIZE PER PLAN.
9. ADJUST TO GRADE.
10. POLE TO BE RELOCATED BY OTHERS.
11. GRADE ONLY.
12. REMOVE EXISTING PAVEMENT.
13. REMOVE EXISTING CURB AND GUTTER.
14. REMOVE EXISTING CATCH BASIN.
15. REMOVE EXISTING SIGN.
16. REMOVE EXISTING STREET LIGHT.
17. TO BE REMOVED OR RELOCATED BY OTHERS.
18. CONSTRUCT TYPE 11 CONCRETE CURB (6") PER CITY OF RIVERSIDE STD. DWG. NO. 200.
20. REMOVE EXISTING STORM DRAIN PIPE.
26. CONSTRUCT WHEELCHAIR RAMP PER CITY OF RIVERSIDE STD. DWG. NO. 304.
30. CONSTRUCT 3 1/2" CONCRETE PAVEMENT ON SUBGRADE.
22. CONSTRUCT JUNCTION STRUCTURE C PER CITY OF RIVERSIDE STD. DWG. NO. 422.
31. CONSTRUCT M.H. EZ PER CITY OF RIVERSIDE STD. DWG. NO. 431.
26. TO BE REMOVED OR RELOCATED BY CITY OF RIVERSIDE PUBLIC UTILITIES, WATER DEPARTMENT.
32. TO BE LANDSCAPED PER APPROVED LANDSCAPE PLANS.
34. CONSTRUCT PARABOLIC FLARE PER CITY OF RIVERSIDE STD. DWG. NO. 123 W=6'L=50'.

**NINTH STREET**

**VINE STREET**

CONSTRUCT STREET IMPROVEMENTS PER TYPICAL SECTION ON SHT. 2.

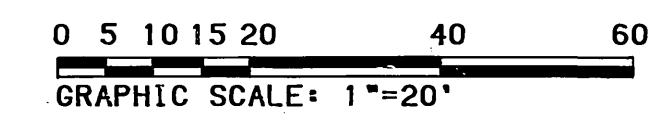
**CURVE DATA**

DELTA	RADIUS	LENGTH	TANGENT
90°01'10"	35.00	54.99	35.01
95°52'02"	35.00	58.56	38.78
05°53'03"	286.00	29.37	14.70
85°29'00"	27.00	40.28	24.95
94°31'00"	27.00	44.54	29.22
05°53'15"	250.00	25.69	12.86
05°53'03"	250.00	25.67	12.85

**CURVE DATA**

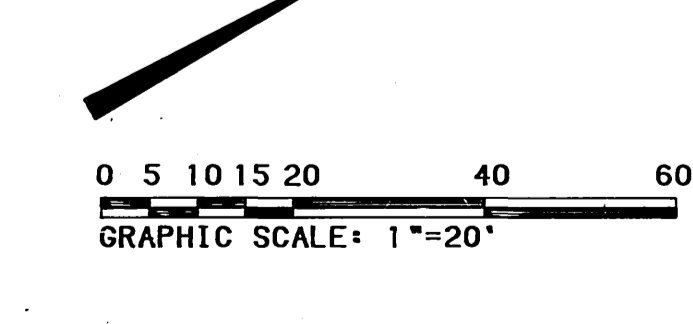
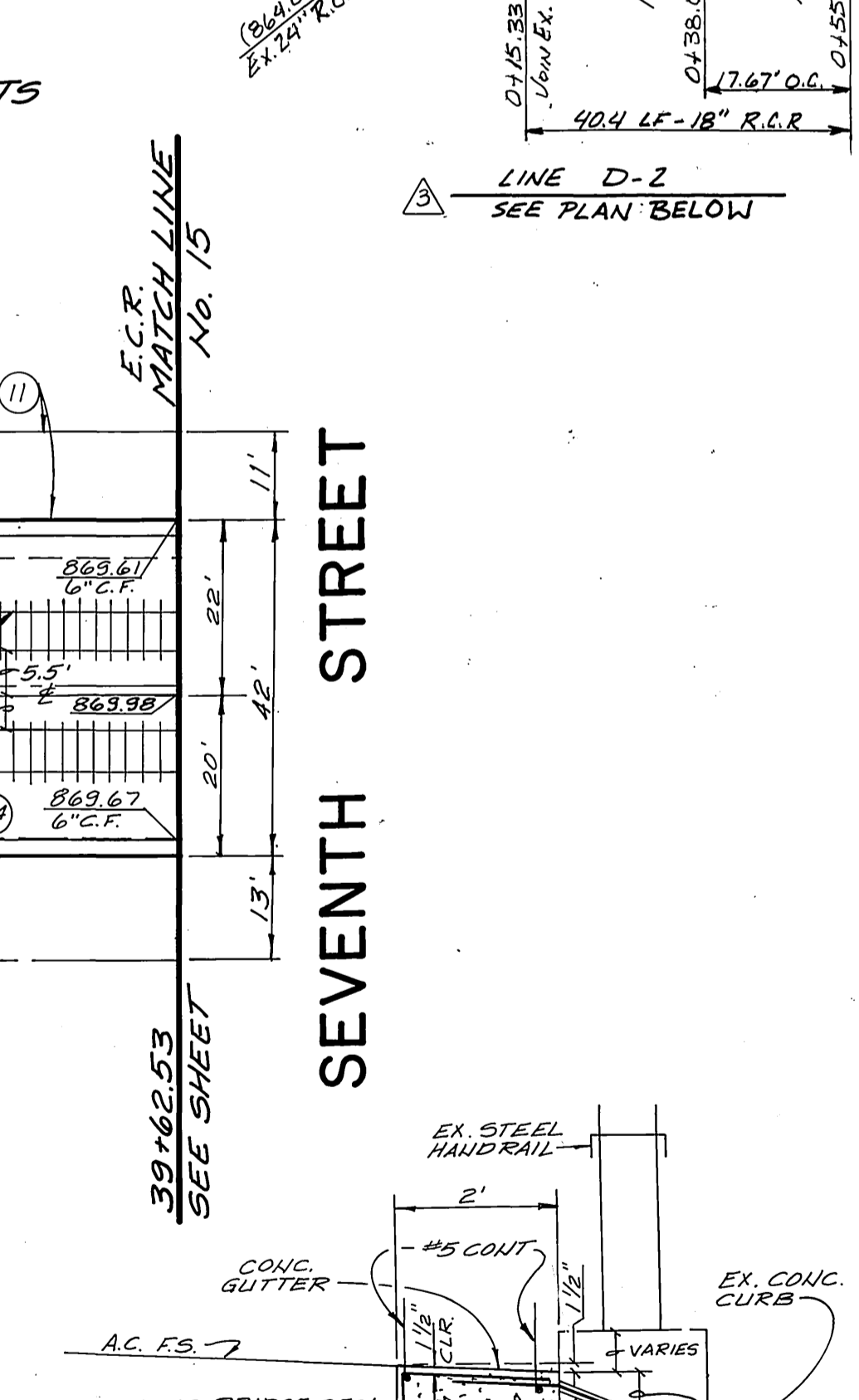
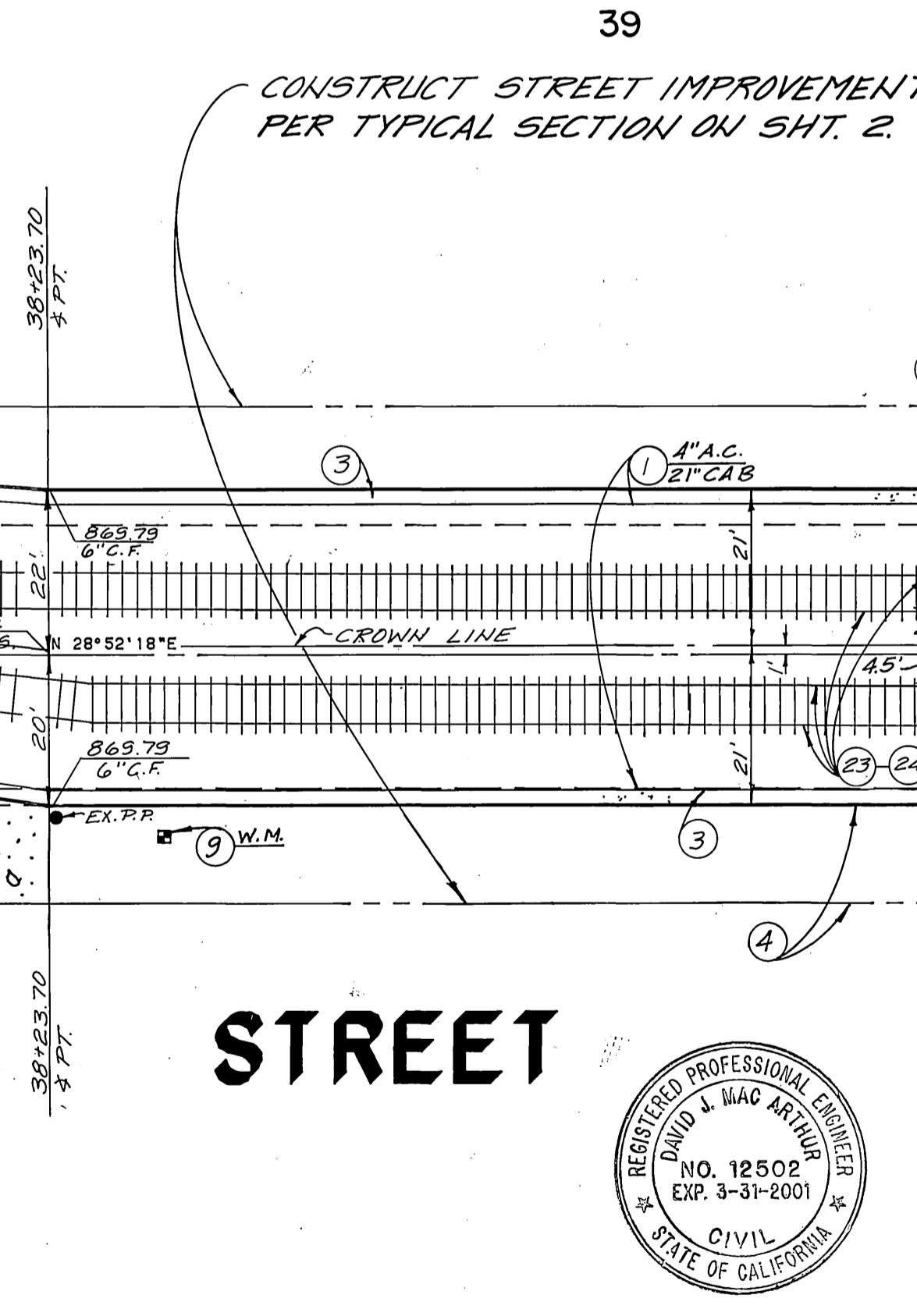
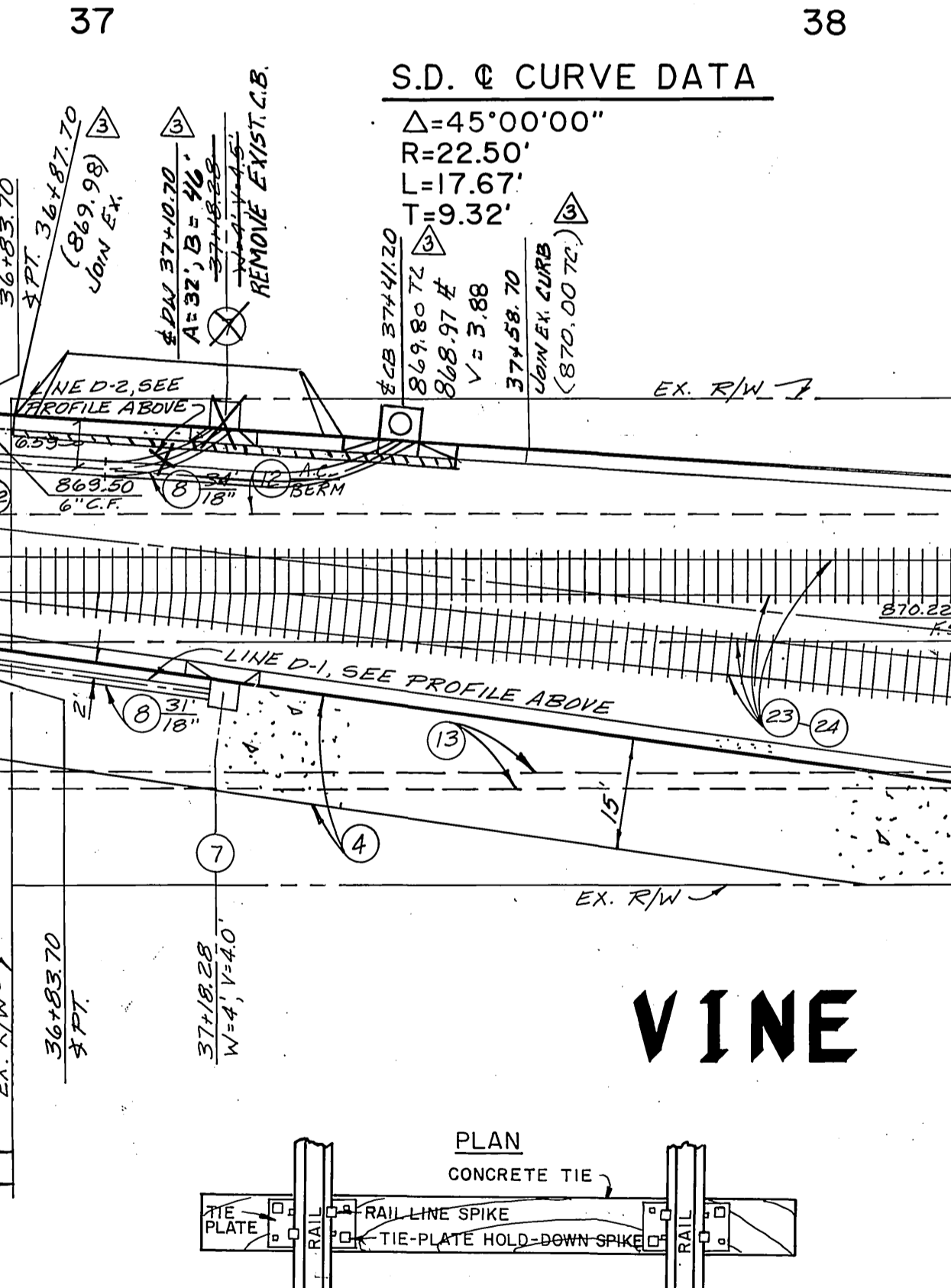
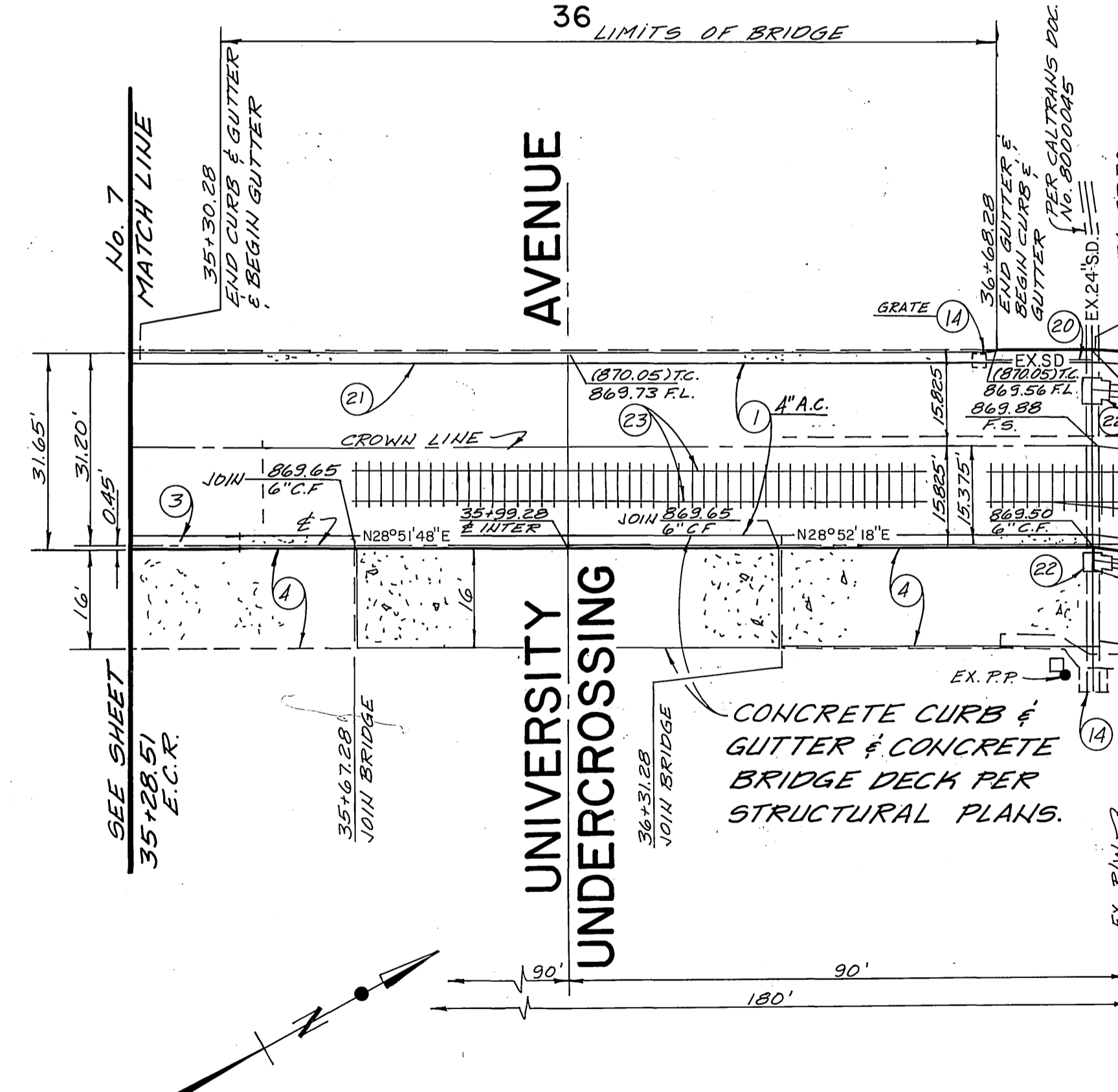
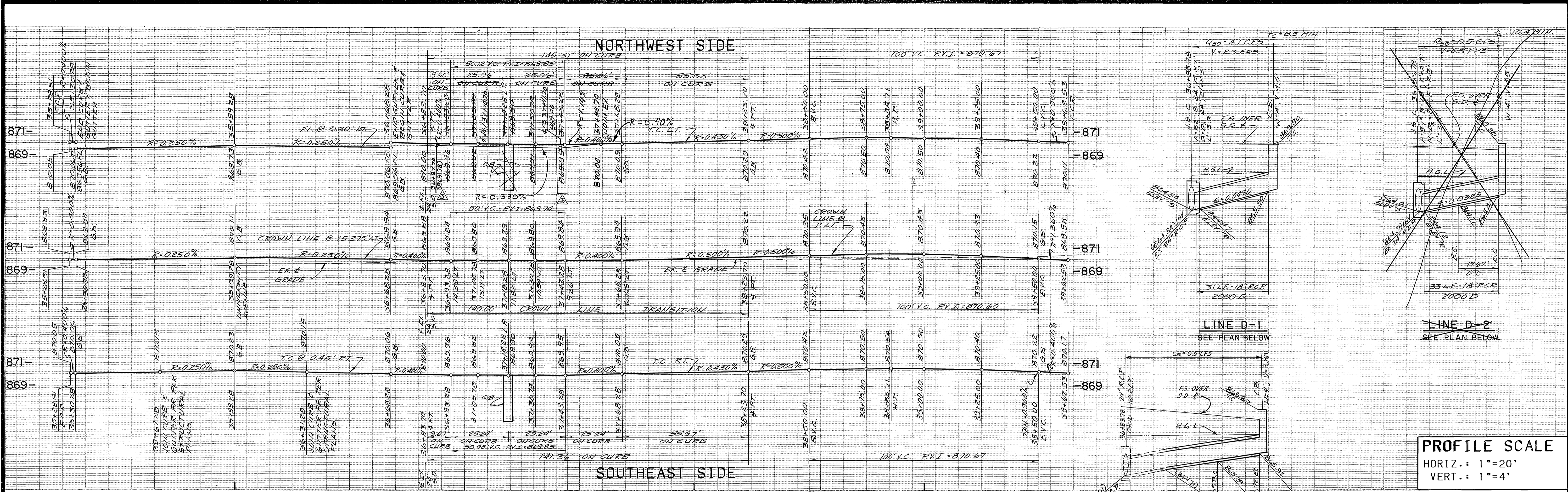
DELTA	RADIUS	LENGTH	TANGENT
94°31'00"	27.00	44.53	29.22
85°29'00"	27.00	40.28	24.95
180°00'03"	2.00	6.28	
180°00'03"	4.00	12.57	8.45
05°53'03"	272.00	27.93	13.98
05°53'03"	264.00	27.11	13.57

■ DENOTES DECORATIVE CONCRETE "COBBLE STONE RUNNING BOND PATTERN" COLOR A-26 (BRICK RED)



CENCOM CABLE T.V. Approved _____ Date _____	SO. CALIF. GAS CO. Approved _____ Date _____	CITY OF RIVERSIDE - WATER SYSTEM Richard J. Dinkel 7-5-91 Approved _____ Date _____		CITY OF RIVERSIDE <b>PUBLIC WORKS DEPARTMENT</b>	STREET PLAN AND PROFILE <b>VINE STREET</b> FROM 31+00.00 TO 35+28.51 THE RIVERSIDE MARKET PLACE	ACCOUNT NO. <b>R-3231</b> SHEET <b>7</b> OF <b>17</b>
PACIFIC BELL Approved _____ Date _____	CITY OF RIVERSIDE - ELECTRIC Approved _____ Date _____	PLANS PREPARED UNDER THE DIRECTION OF John Carl Hix 5/15/91 JOHN HIX R.C.E. 31135 DATE	Peñas & Associates-Riverside 3501 Line Street Riverside, California 92501 714/787-8421	DESIGNED BY J.L. DRAWN BY M.L. CHECKED BY J.C.H.	APPROVED BY _____ DATE 7/5/91 PUBLIC WORKS DIRECTOR	HORIZ. SCALE: 1"=20' VERT. SCALE: 1"=4'





**DC ENGINEERING, INC.**  
 5130 E. LA PALMA AVE, SUITE 205  
 ANAHEIM HILLS, CA 92807  
 (714) 779-3828

David J. MacArthur 4-2-98  
 DAVID J. MACARTHUR DATE

CENCOM CABLE T.V.  
 Approved \_\_\_\_\_ Date \_\_\_\_\_

PACIFIC BELL  
 Approved \_\_\_\_\_ Date \_\_\_\_\_

SO. CALIF. GAS CO.  
 Approved \_\_\_\_\_ Date \_\_\_\_\_

CITY OF RIVERSIDE - ELECTRIC  
 Approved \_\_\_\_\_ Date \_\_\_\_\_

CITY OF RIVERSIDE - WATER SYSTEM  
 Richard D. Drotos 7-5-91  
 Approved \_\_\_\_\_ Date \_\_\_\_\_

PLANS PREPARED UNDER THE DIRECTION OF  
 John Carl Hix 5/15/91  
 JOHN HIX R.C.E. 31135 DATE

**PSOMAS**

Peoma & Associates-Riverside  
 3901 Lima Street  
 Riverside, California 92501  
 714/787-8421

Engineers  
 Surveyors  
 Planners

**CITY OF RIVERSIDE**  
 PUBLIC WORKS DEPARTMENT

APPROVED BY  
 DATE 7-5-91

DESIGNED BY S.C. DRAWN BY M.H. CHECKED BY L.C.

**CITY OF RIVERSIDE**  
 PUBLIC WORKS DEPARTMENT

APPROVED BY  
 DATE 7-5-91

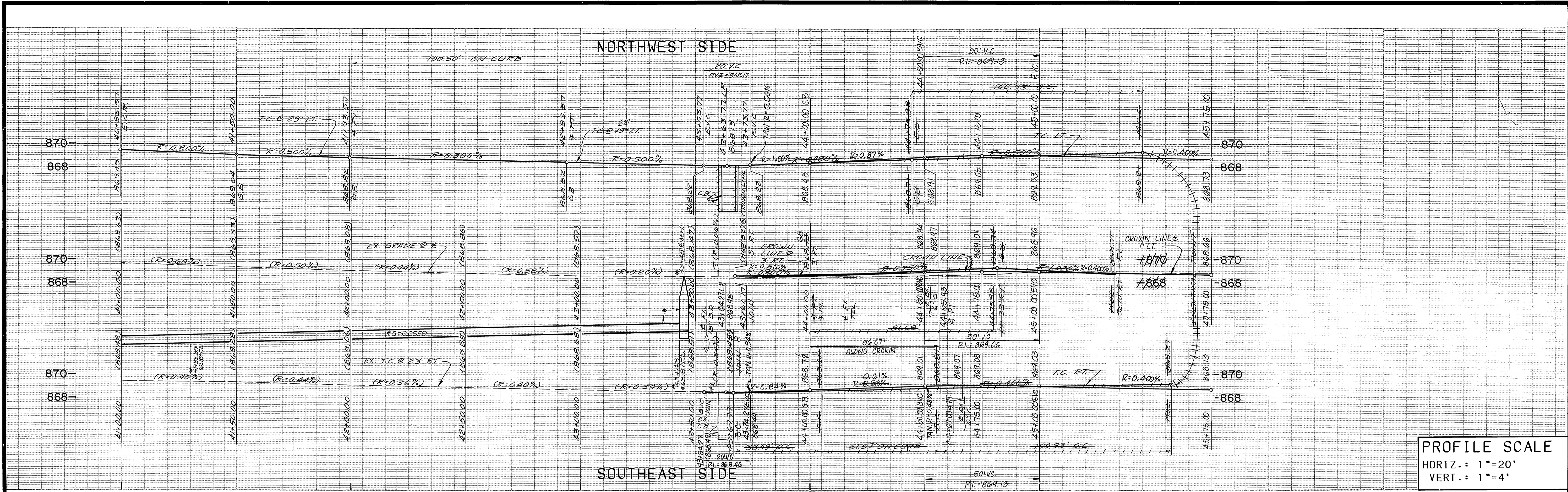
DESIGNED BY S.C. DRAWN BY M.H. CHECKED BY L.C.

STREET PLAN AND PROFILE  
**VINE STREET**  
 FROM 35+28.51 TO 39+62.53  
 THE RIVERSIDE MARKET PLACE

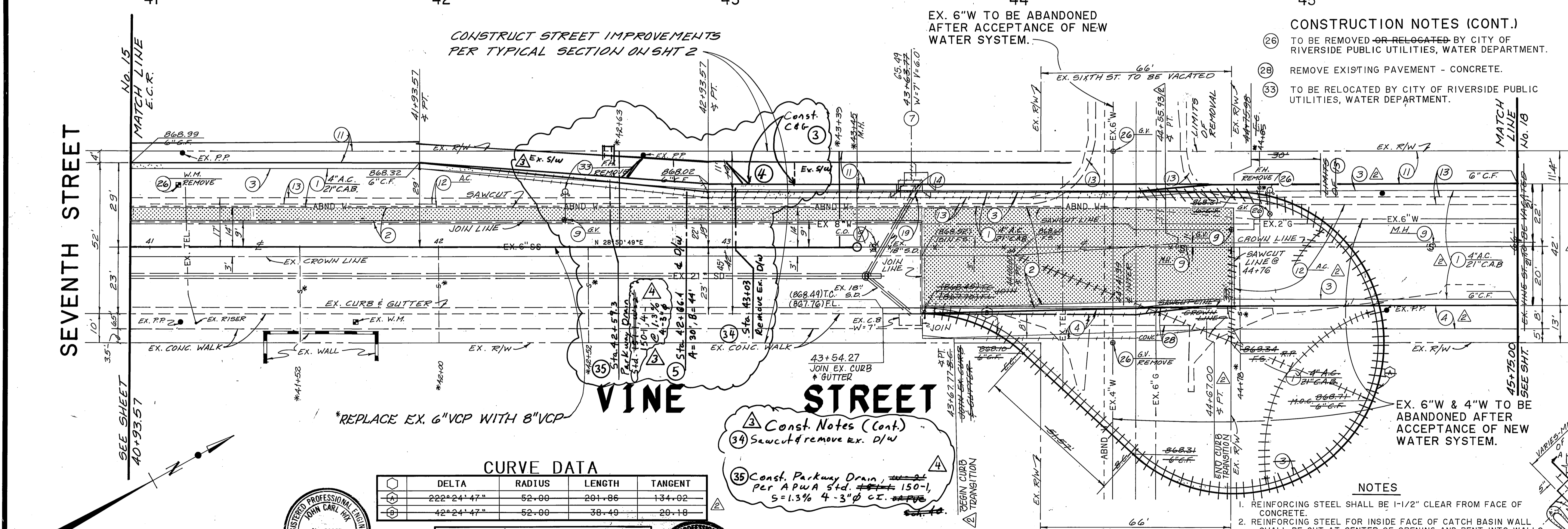
ACCOUNT NO. R-3231  
 SHEET 8 OF 17

HORIZ. SCALE: 1"=20' VERT. SCALE: 1"=4'





**PROFILE SCALE**  
 HORIZ.: 1"=20'  
 VERT.: 1"=4'



- CONSTRUCTION NOTES (CONT.)**
- 26 TO BE REMOVED OR RELOCATED BY CITY OF RIVERSIDE PUBLIC UTILITIES, WATER DEPARTMENT.
  - 28 REMOVE EXISTING PAVEMENT - CONCRETE.
  - 33 TO BE RELOCATED BY CITY OF RIVERSIDE PUBLIC UTILITIES, WATER DEPARTMENT.
- CONSTRUCTION NOTES**
- 1 CONSTRUCT A.C. PAVING OVER C.A.B. PER PLAN.
  - 2 CONSTRUCT 1" (MIN.) A.C. OVERLAY.
  - 3 CONSTRUCT TYPE I CONCRETE CURB AND GUTTER (6") PER CITY OF RIVERSIDE STD. DWG. NO. 200.
  - 4 CONSTRUCT CONCRETE SIDEWALK PER CITY OF RIVERSIDE STD. DWG. NO. 325.
  - 5 CONSTRUCT CONCRETE DRIVEWAY APPROACH PER CITY OF RIVERSIDE STD. DWG. NO. 302.
  - 7 CONSTRUCT CATCH BASIN PER CITY OF RIVERSIDE STD. DWG. NO. 405.
  - 8 INSTALL STORM DRAIN R.C.P. SIZE PER PLAN.
  - 9 ADJUST TO GRADE.
  - 10 GRADE ONLY.
  - 12 REMOVE EXISTING PAVEMENT.
  - 13 REMOVE EXISTING CURB AND GUTTER.
  - 14 REMOVE EXISTING CATCH BASIN.
  - 15 REMOVE EXISTING SIGN.
  - 16 REMOVE EXISTING STREET LIGHT.
  - 17 TO BE REMOVED OR RELOCATED BY OTHERS.
  - 19 CONNECT EXISTING 18" R.C.P. S.D. TO CATCH BASIN PER DETAIL HEREON.

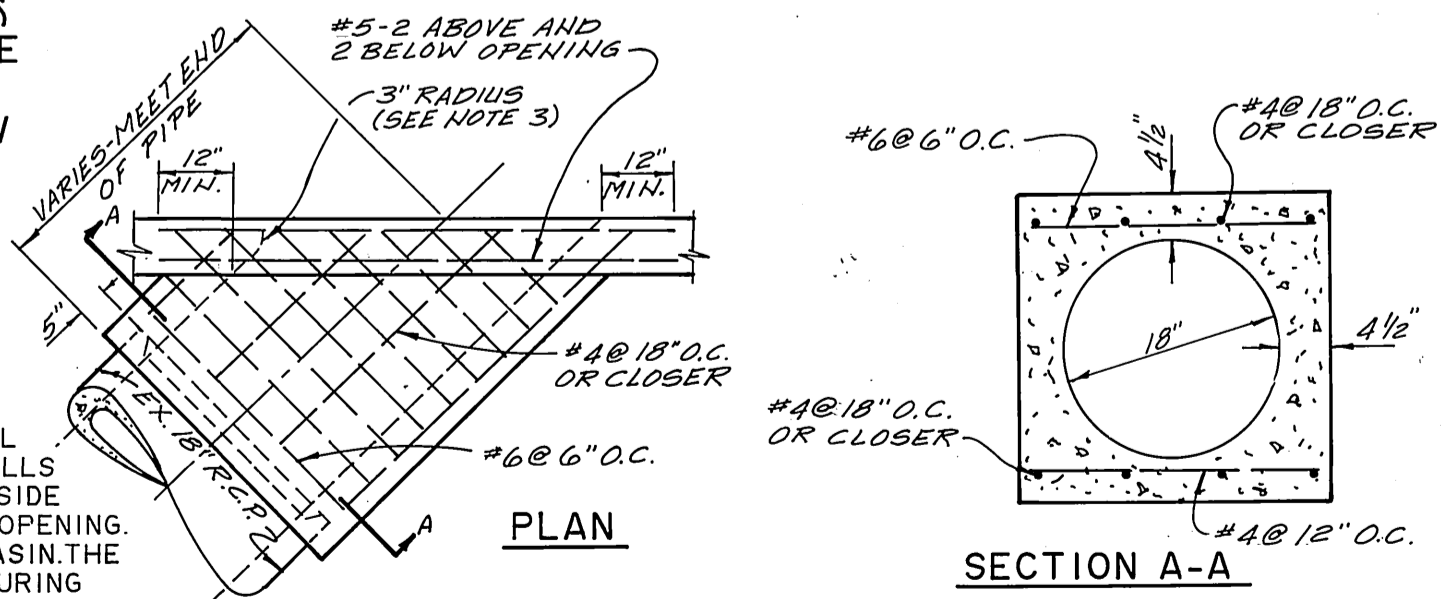
**CURVE DATA**

DELTA	RADIUS	LENGTH	TANGENT
222°24'47"	52.00	201.86	134.02
42°24'47"	52.00	38.49	20.18

**Const. Notes (Cont.)**

34 Sawcut & remove ex. D/W

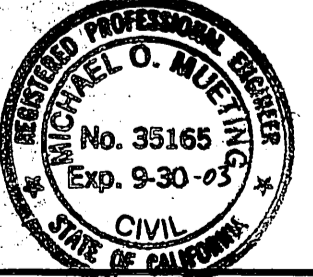
35 Const. Parking Drain, per A.P.W.A. Sta. 42+57.3, 5=1.3% 4'-3" Ø C.T.



0 5 10 15 20 40 60  
 GRAPHIC SCALE: 1"=20'



Revision  $\Delta$  &  $\Delta$   
 Richards Muehling Wilkes  
 6529 Riverside Ave., #115  
 Riverside, Ca 92506  
 Michael O. Muehling 4-10-02  
 Michael O. Muehling RCE 35165 7-30-03



EDA PROJECT  
 No. 07-01-03135

CENCOM CABLE T.V.	SO. CALIF. GAS CO.
Approved _____ Date _____	Approved _____ Date _____
PACIFIC BELL	CITY OF RIVERSIDE - ELECTRIC
Approved _____ Date _____	Approved _____ Date _____

CITY OF RIVERSIDE - WATER SYSTEM  
 Approved \_\_\_\_\_ Date 7-5-91  
 Richard J. Dardick

PLANS PREPARED UNDER THE DIRECTION OF  
 Approved \_\_\_\_\_ Date 5/13/91  
 JOHN HIX R.C.E. 31135

**PSOMAS**  
 Peones & Associates-Riverside  
 3901 Line Street  
 Riverside, California 92501  
 714/787-8421

Engineers  
 Surveyors  
 Planners

Revised outlet to Std 150-1110-202	9-28-03
Remove Ex. D/W Sta. 43+03, Const. 202	9/2/03
New D/W Sta. 42+86.4, Const.	
Parking Drain Sta. 42+57.3, 42+02	
EXTENDED VINE STREET	8/11/01
DESIGNED BY J.E. DRAWN BY M.H. CHECKED BY J.E.	

**CITY OF RIVERSIDE**  
**PUBLIC WORKS DEPARTMENT**

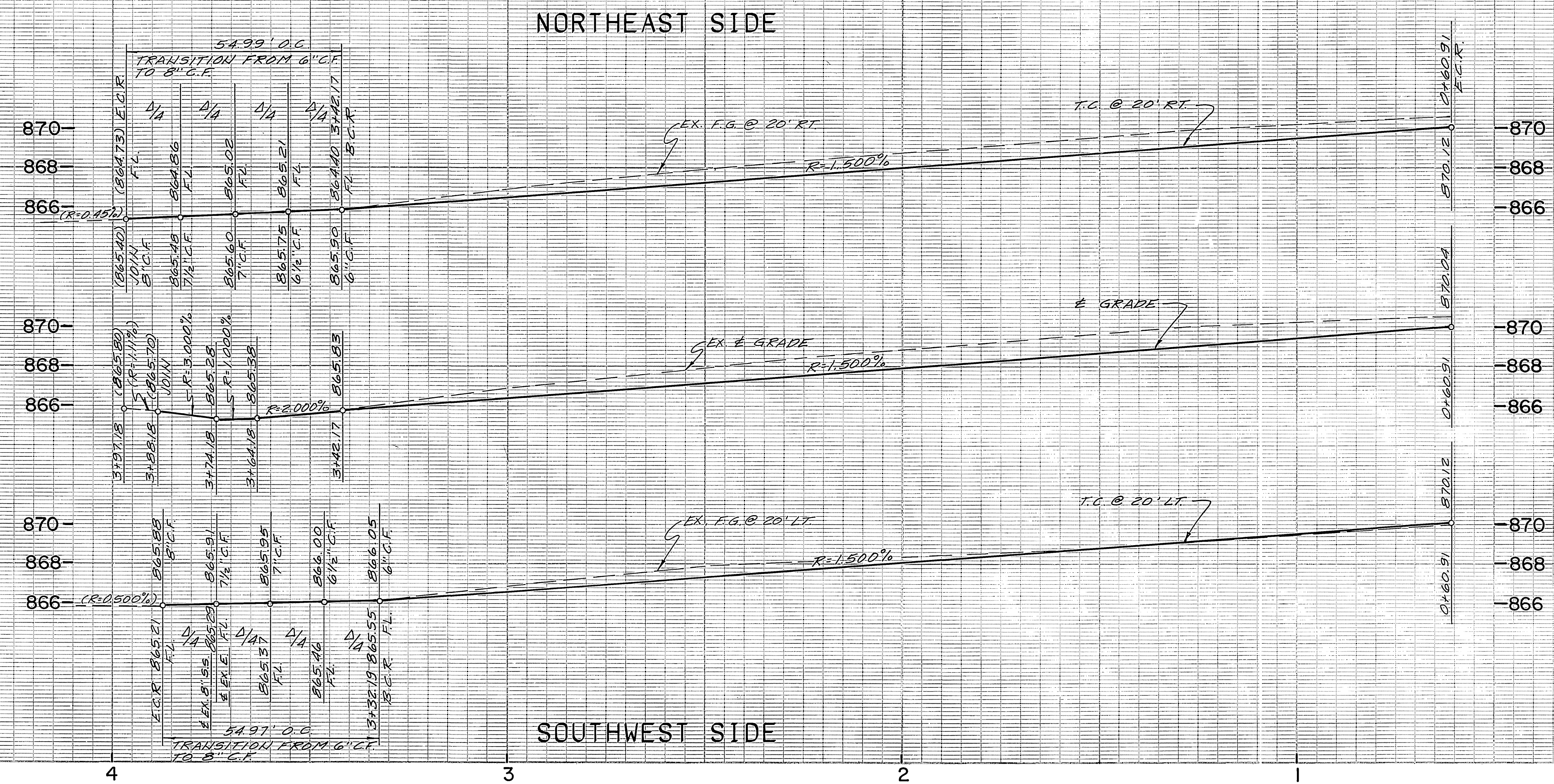
APPROVED BY \_\_\_\_\_ DATE \_\_\_\_\_ BY \_\_\_\_\_  
 DEPUTY P.W. DIRECTOR  
 PRINCIPAL ENGINEER  
 CHIEF P.W. INSPECTOR  
 SUPERVISOR  
 TRAFFIC DIVISION  
 PARK DEPARTMENT  
 STREET SERVICES

STREET PLAN AND PROFILE  
**VINE STREET**  
 FROM 40+93.57 TO 44+75.98  
 THE RIVERSIDE MARKET PLACE

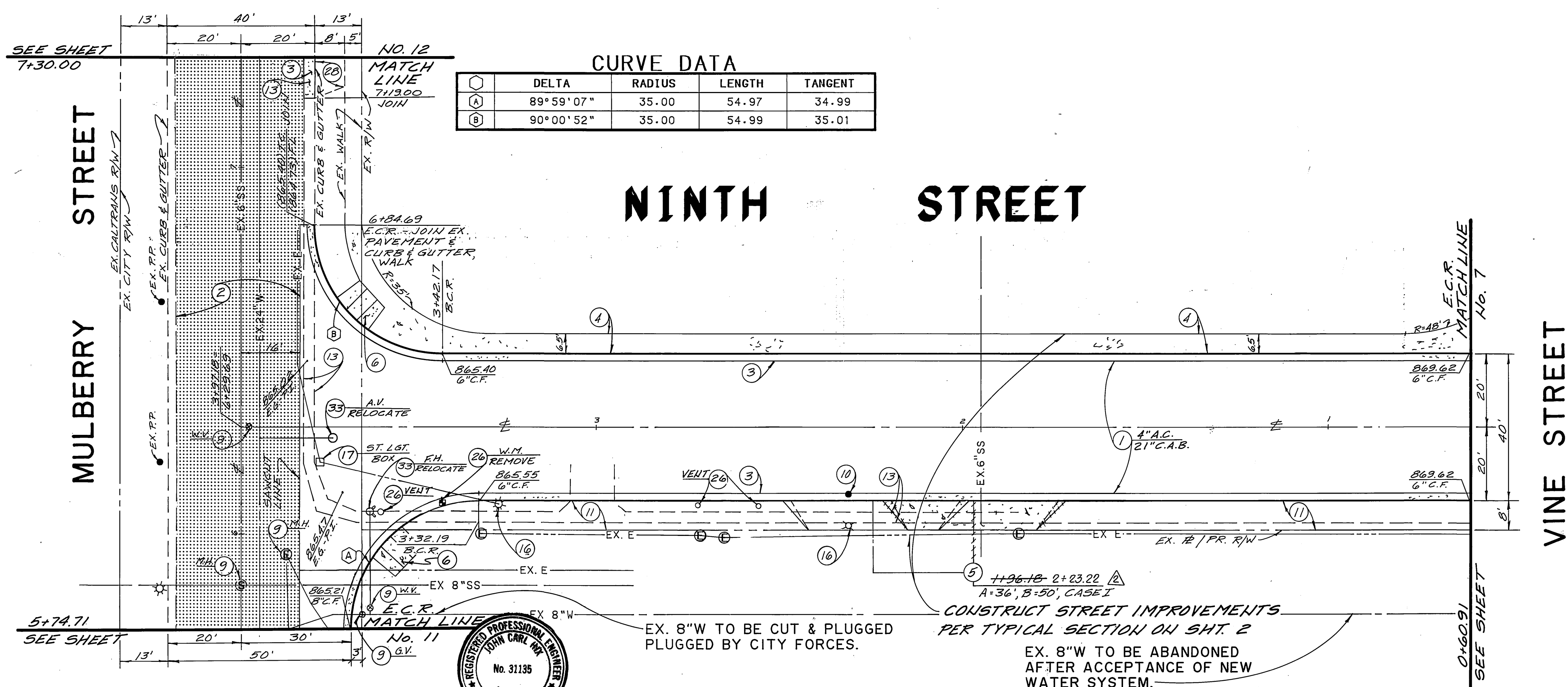
ACCOUNT NO. R-3231  
 SHEET 9 OF 17

HORIZ. SCALE: 1"=20' VERT. SCALE: 1"=4'





PROFILE SCALE  
 HORIZ.: 1"=20'  
 VERT.: 1"=4'



CONSTRUCTION NOTES

- ① CONSTRUCT A.C. PAVING OVER C.A.B. PER PLAN.
- ② CONSTRUCT 1" (MIN.) A.C. OVERLAY.
- ③ CONSTRUCT TYPE I CONCRETE CURB AND GUTTER (6") PER CITY OF RIVERSIDE STD. DWG. NO. 200.
- ④ CONSTRUCT CONCRETE SIDEWALK PER CITY OF RIVERSIDE STD. DWG. NO. 325.
- ⑤ CONSTRUCT CONCRETE DRIVEWAY APPROACH PER CITY OF RIVERSIDE STD. DWG. NO. 302.
- ⑥ CONSTRUCT WHEELCHAIR RAMP PER CITY OF RIVERSIDE STD. DWG. NO. 304.
- ⑨ ADJUST TO GRADE.
- ⑩ POLE TO BE RELOCATED BY OTHERS.
- ⑪ GRADE ONLY.
- ⑫ REMOVE EXISTING PAVEMENT.
- ⑬ REMOVE EXISTING CURB AND GUTTER.
- ⑮ REMOVE EXISTING SIGN.
- ⑯ REMOVE EXISTING STREET LIGHT.
- ⑰ TO BE REMOVED OR RELOCATED BY OTHERS.
- ⑳ TO BE REMOVED OR RELOCATED BY CITY OF RIVERSIDE PUBLIC UTILITIES, WATER DEPARTMENT.
- ㉓ TO BE RELOCATED BY CITY OF RIVERSIDE PUBLIC UTILITIES, WATER DEPARTMENT.

EDA PROJECT  
 No. 07-01-03135

CENCOM CABLE T.V.  
 Approved \_\_\_\_\_ Date \_\_\_\_\_

PACIFIC BELL  
 Approved \_\_\_\_\_ Date \_\_\_\_\_

SO. CALIF. GAS CO.  
 Approved \_\_\_\_\_ Date \_\_\_\_\_

CITY OF RIVERSIDE - ELECTRIC  
 Approved \_\_\_\_\_ Date \_\_\_\_\_

CITY OF RIVERSIDE - WATER SYSTEM  
 Richard J. Dadek 7-5-91  
 Approved \_\_\_\_\_ Date \_\_\_\_\_

PLANS PREPARED UNDER THE DIRECTION OF  
 John Carl Hix 5/13/91  
 JOHN HIX R.C.E. 31135 DATE

**PSOMAS**  
 Peano & Associates-Riverside  
 3901 Lime Street  
 Riverside, California 92501  
 714/787-8421  
 Engineers  
 Surveyors  
 Planners

RELOCATED DRAWN & REVISED TOTAL SHEETS 6/11 12/16/91  
 DESIGNED BY S.E. DRAWN BY M.M. CHECKED BY O.C.H.

**CITY OF RIVERSIDE**  
 PUBLIC WORKS DEPARTMENT

APPROVED BY \_\_\_\_\_ DATE 7-2-91 BY K.K.G.  
 DEPUTY P.W. DIRECTOR  
 PRINCIPAL ENGINEER  
 CHIEF P.W. INSPECTOR  
 SURVEYOR  
 TRAFFIC DIVISION  
 PARK DEPARTMENT  
 STREET SERVICES

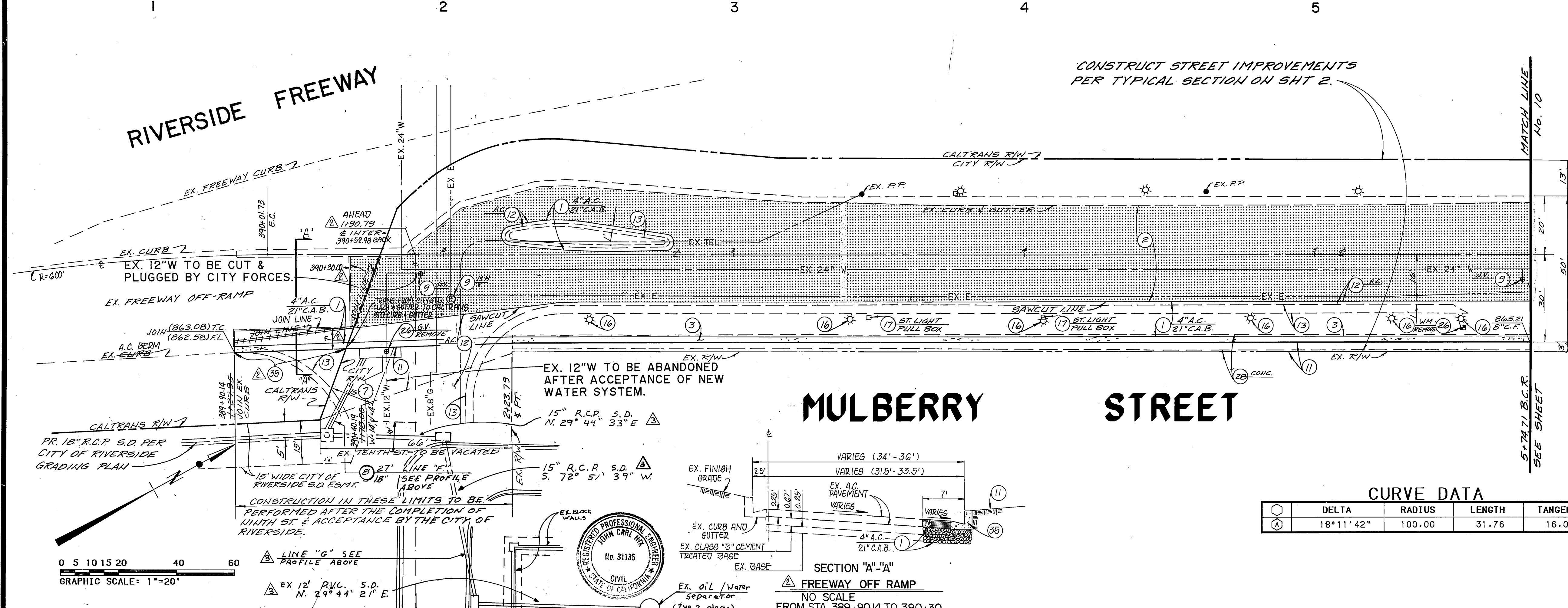
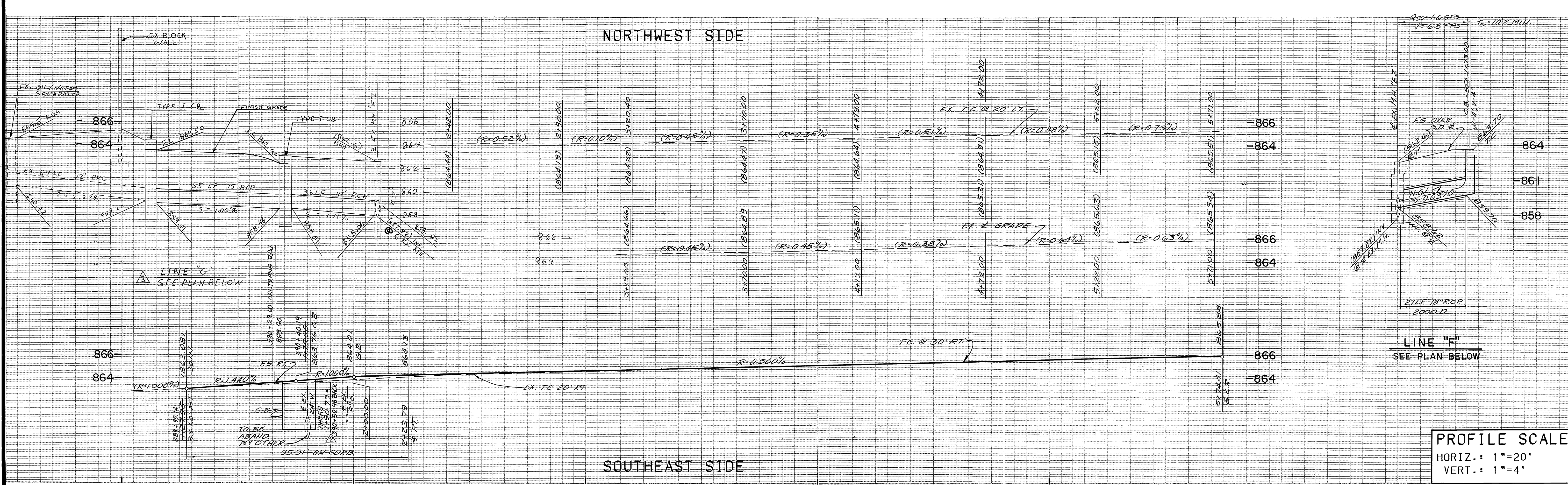
DATE 7/5/91

STREET PLAN AND PROFILE  
**NINTH STREET**  
 FROM 0+60.91 TO 3+88.18  
 THE RIVERSIDE MARKET PLACE

HORIZ. SCALE: 1"=20'  
 VERT. SCALE: 1"=4'

ACCOUNT NO.  
 R-3231  
 SHEET 10 OF 17

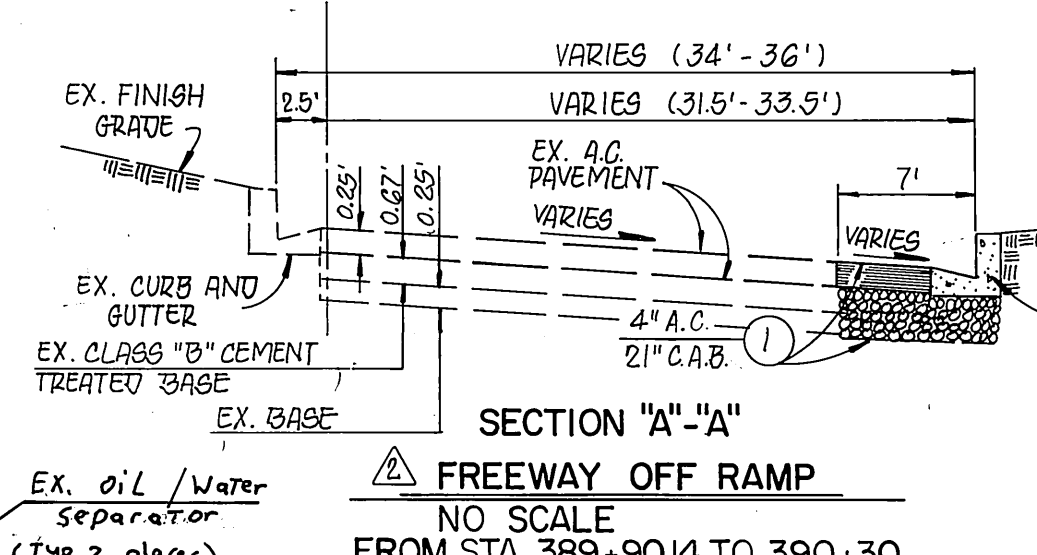




- ### CONSTRUCTION NOTES
- 1 CONSTRUCT A.C. PAVING OVER C.A.B. PER PLAN.
  - 2 CONSTRUCT 1" (MIN.) A.C. OVERLAY.
  - 3 CONSTRUCT TYPE I CONCRETE CURB AND GUTTER (8") PER CITY OF RIVERSIDE STD. DWG. NO. 200.
  - 4 CONSTRUCT CONCRETE SIDEWALK PER CITY OF RIVERSIDE STD. DWG. NO. 325.
  - 7 CONSTRUCT CATCH BASIN PER CITY OF RIVERSIDE STD. DWG. NO. 405.
  - 8 INSTALL STORM DRAIN R.C.P.. SIZE PER PLAN.
  - 9 ADJUST TO GRADE.
  - 10 POLE TO BE RELOCATED BY OTHERS.
  - 11 GRADE ONLY.
  - 12 REMOVE EXISTING PAVEMENT.
  - 13 REMOVE EXISTING CURB AND GUTTER.
  - 14 REMOVE EXISTING CATCH BASIN.
  - 15 REMOVE EXISTING SIGN.
  - 16 REMOVE EXISTING STREET LIGHT.
  - 17 TO BE REMOVED OR RELOCATED BY OTHERS.
  - 26 TO BE REMOVED OR RELOCATED BY CITY OF RIVERSIDE PUBLIC UTILITIES, WATER DEPARTMENT.
  - 28 REMOVE EXISTING PAVEMENT - CONCRETE.
  - 35 CONSTRUCT TYPE A2-8 CONCRETE CURB AND GUTTER PER CALTRANS STD. PLAN N8-A.

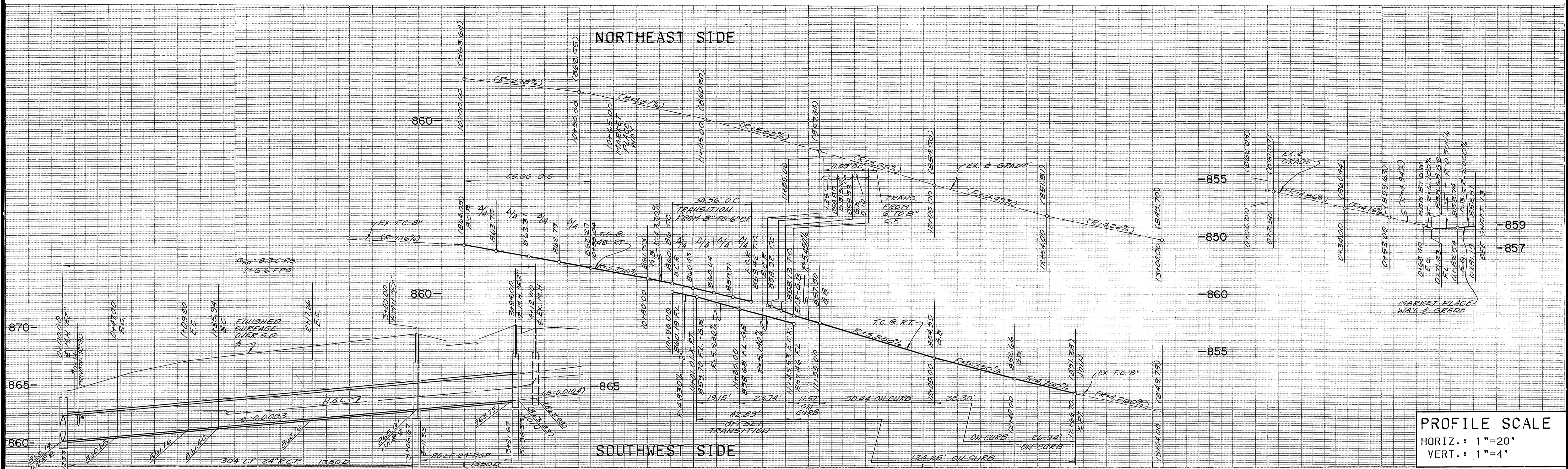
**CURVE DATA**

DELTA	RADIUS	LENGTH	TANGENT
(A) 18°11'42"	100.00	31.76	16.01

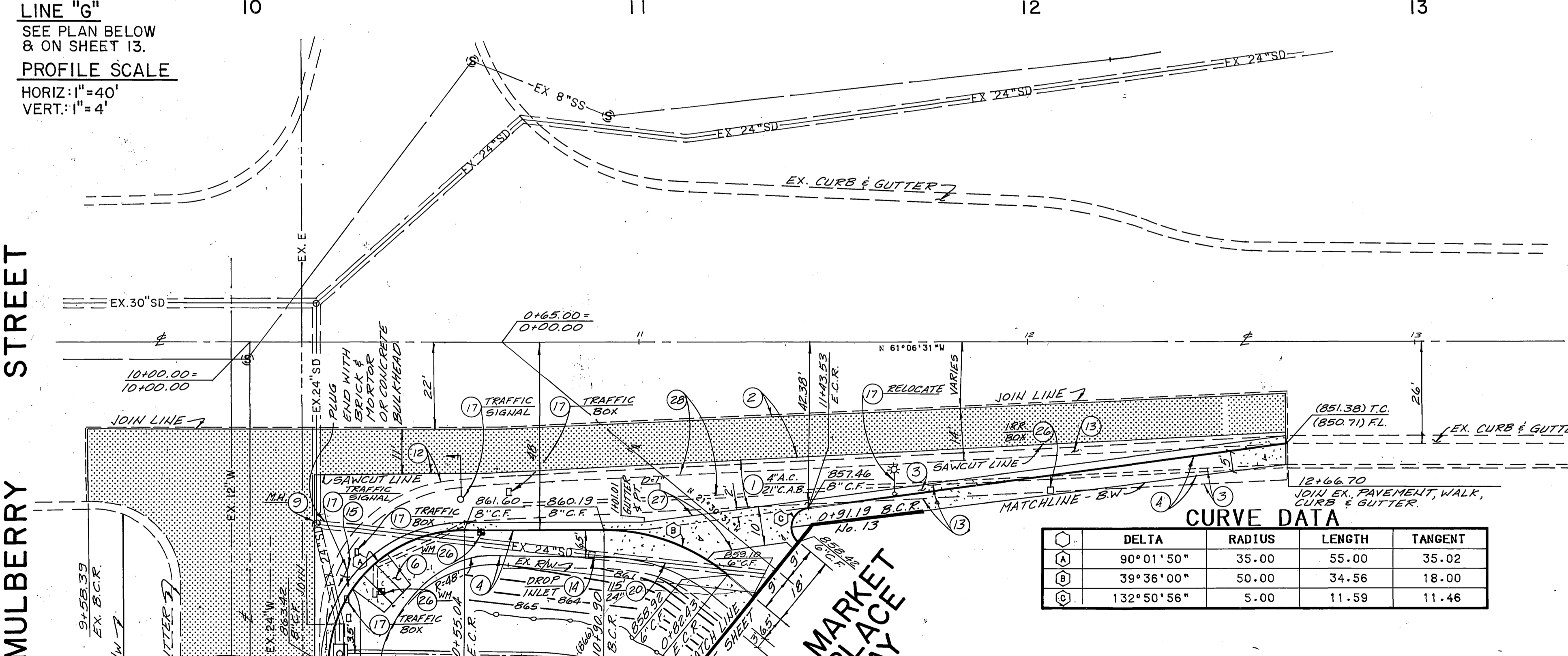
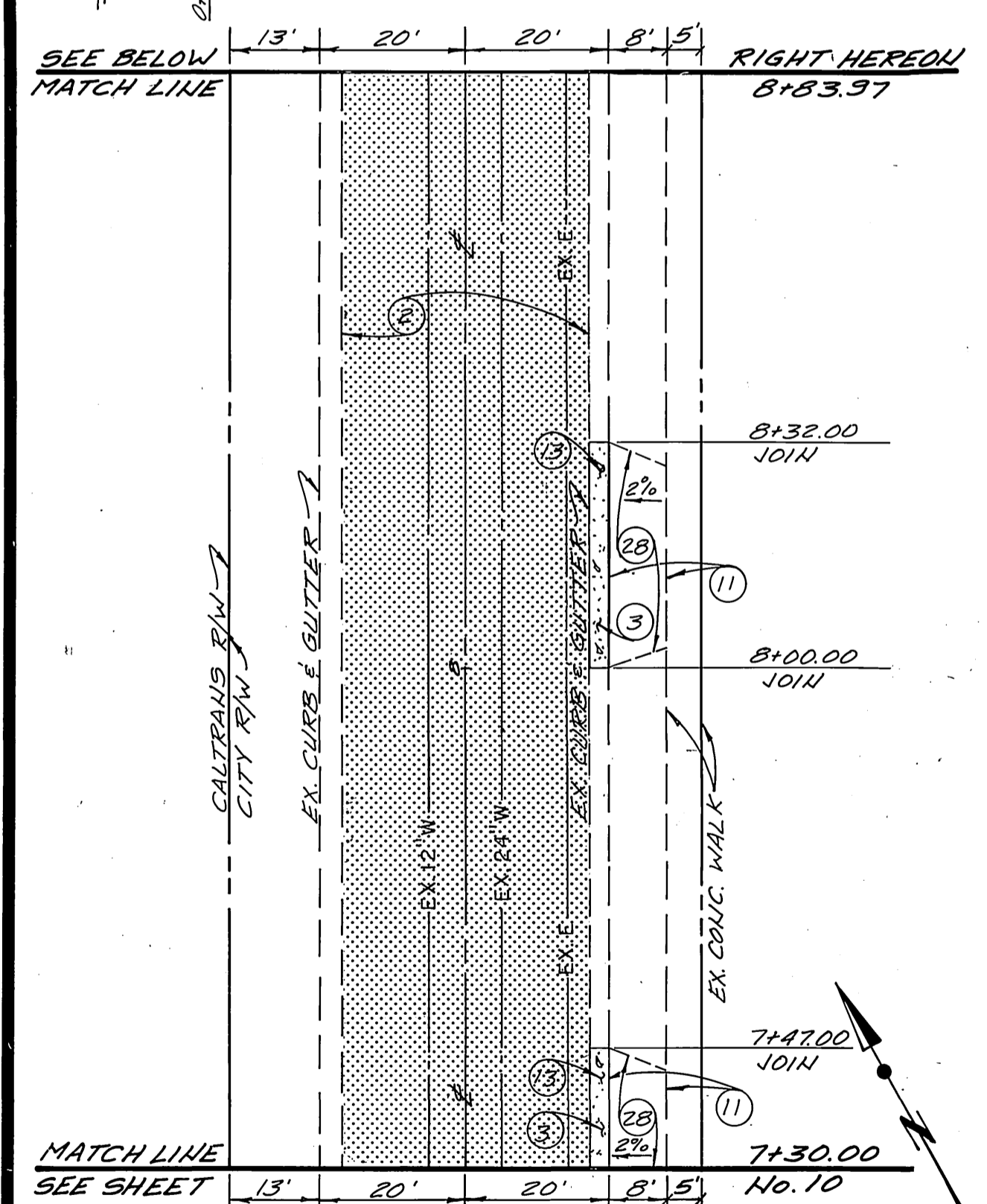


CENCOM CABLE T.V. Approved _____ Date _____	SO. CALIF. GAS CO. Approved _____ Date _____	CITY OF RIVERSIDE - WATER SYSTEM Richard J. Drotch 7-5-91 Approved _____	<b>PSOMAS</b> Peasos & Associates-Riverside 3901 Line Street Riverside, California 92501 714/787-8421	Engineers Surveyors Planners	<b>CITY OF RIVERSIDE</b> PUBLIC WORKS DEPARTMENT APPROVED BY _____ DATE 7/5/91 BY B.U. DEPUTY P.W. DIRECTOR PRINCIPAL ENGINEER CHIEF P.W. INSPECTOR SUPERVISOR TRAFFIC DIVISION PARK DEPARTMENT STREET SERVICES	STREET PLAN AND PROFILE <b>MULBERRY STREET</b> FROM 1+27.95 TO 5+74.71 THE RIVERSIDE MARKET PLACE	ACCOUNT NO. <b>R-3231</b> SHEET <b>11</b> OF <b>17</b>
PACIFIC BELL Approved _____ Date _____		CITY OF RIVERSIDE - ELECTRIC Approved _____ Date _____		PLANS PREPARED UNDER THE DIRECTION OF John Carl Hix 5/15/91 JOHN HIX R.C.E. 31135 DATE		EDA PROJECT No. 07-01-03135 AS BUILT (1/16/92)	
GRAPHIC SCALE: 1"=20' 0 5 10 15 20 40 60		HORIZ. SCALE: 1"=20' VERT. SCALE: 1"=4'		INDEXED 6-17-92 LHL		DESIGNED BY J.E. DRAWN BY M.H. CHECKED BY J.C.H. DATE 7/5/91 B.U.	





**PROFILE SCALE**  
 HORIZ.: 1"=20'  
 VERT.: 1"=4'



**CURVE DATA**

DELTA	RADIUS	LENGTH	TANGENT
90°01'50"	35.00	55.00	35.02
39°36'00"	50.00	34.56	18.00
132°50'56"	5.00	11.59	11.46

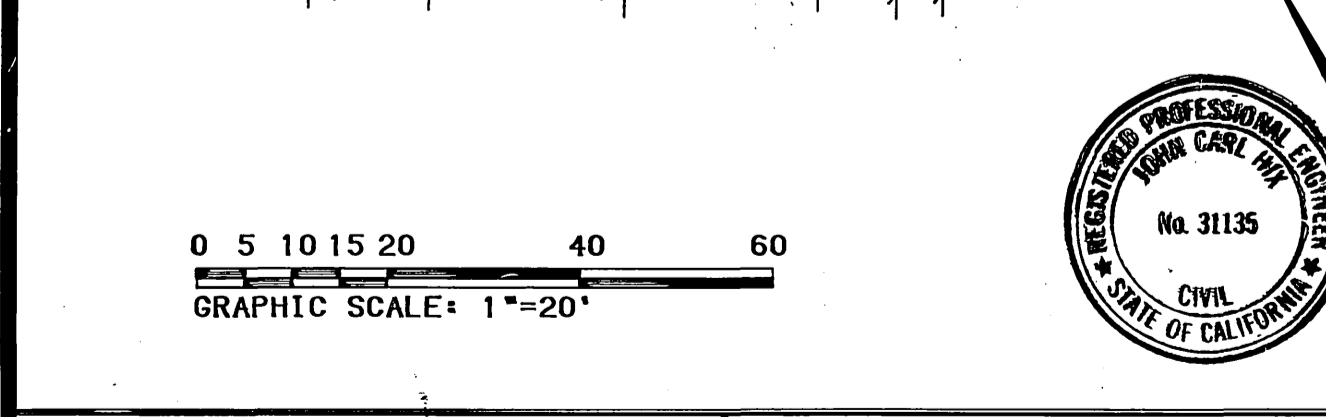
**S.D. CURVE DATA**

$\Delta=39^{\circ}36'00''$
$R=90.00'$
$L=62.20'$
$T=32.40'$

- CONSTRUCTION NOTES**
- CONSTRUCT A.C. PAVING OVER C.A.B. PER PLAN.
  - CONSTRUCT 1" (MIN.) A.C. OVERLAY.
  - CONSTRUCT TYPE I CONCRETE CURB AND GUTTER (6") PER CITY OF RIVERSIDE STD. DWG. NO. 200.
  - CONSTRUCT CONCRETE SIDEWALK PER CITY OF RIVERSIDE STD. DWG. NO. 325.
  - CONSTRUCT WHEELCHAIR RAMP PER CITY OF RIVERSIDE STD. DWG. NO. 304.
  - CONSTRUCT CATCH BASIN PER CITY OF RIVERSIDE STD. DWG. NO. 450.
  - INSTALL STORM DRAIN R.C.P.. SIZE PER PLAN.
  - ADJUST TO GRADE.
  - POLE TO BE RELOCATED BY OTHERS.
  - GRADE ONLY.
  - REMOVE EXISTING PAVEMENT.
  - REMOVE EXISTING CURB AND GUTTER.
  - REMOVE EXISTING CATCH BASIN.
  - REMOVE EXISTING SIGN.
  - REMOVE EXISTING STREET LIGHT.
  - TO BE REMOVED OR RELOCATED BY OTHERS.
  - REMOVE EXISTING STORM DRAIN PIPE.
  - CONSTRUCT JUNCTION STRUCTURE C PER CITY OF RIVERSIDE STD. DWG. NO. 422.
  - TO BE REMOVED OR RELOCATED BY CITY OF RIVERSIDE PUBLIC UTILITIES, WATER DEPARTMENT.
  - CONSTRUCT CONCRETE CROSS GUTTER PER CITY OF RIVERSIDE STD. DWG. NO. 220 AND MODIFIED PER PLAN.
  - REMOVE EXISTING PAVEMENT - CONCRETE.
  - CONSTRUCT M.H. EZ PER CITY OF RIVERSIDE STD. DWG. NO. 431.

NOTE: SEE CITY OF RIVERSIDE SIGNAL PLAN No. X-142 FOR ALL SIGNAL IMPROVEMENTS, RELOCATIONS & REMOVALS.

EDA PROJECT  
 No. 07-01-03135



CENCOM CABLE T.V.	SO. CALIF. GAS CO.	CITY OF RIVERSIDE - WATER SYSTEM
Approved _____ Date _____	Approved _____ Date _____	Richard L. Duda 7-5-91
PACIFIC BELL	CITY OF RIVERSIDE - ELECTRIC	PLANS PREPARED UNDER THE DIRECTION OF
Approved _____ Date _____	Approved _____ Date _____	John Carl Hix 5/15/91

**PSOMAS**  
 Psoamas & Associates-Riverside  
 3901 Line Street  
 Riverside, California 92501  
 714/787-8421

Engineers  
 Surveyors  
 Planners

**CITY OF RIVERSIDE**  
 PUBLIC WORKS DEPARTMENT

APPROVED BY: \_\_\_\_\_ DATE: 7/5/91  
 DEPUTY P.W. DIRECTOR  
 PRINCIPAL ENGINEER  
 CHIEF P.W. INSPECTOR  
 SURVEYOR  
 TRAFFIC DIVISION  
 PARK DEPARTMENT  
 STREET SERVICES

REVISIONS: 3.U. 7/10/91  
 DESIGNED BY: S.E. DRAWN BY: \_\_\_\_\_ CHECKED BY: J.C.H.

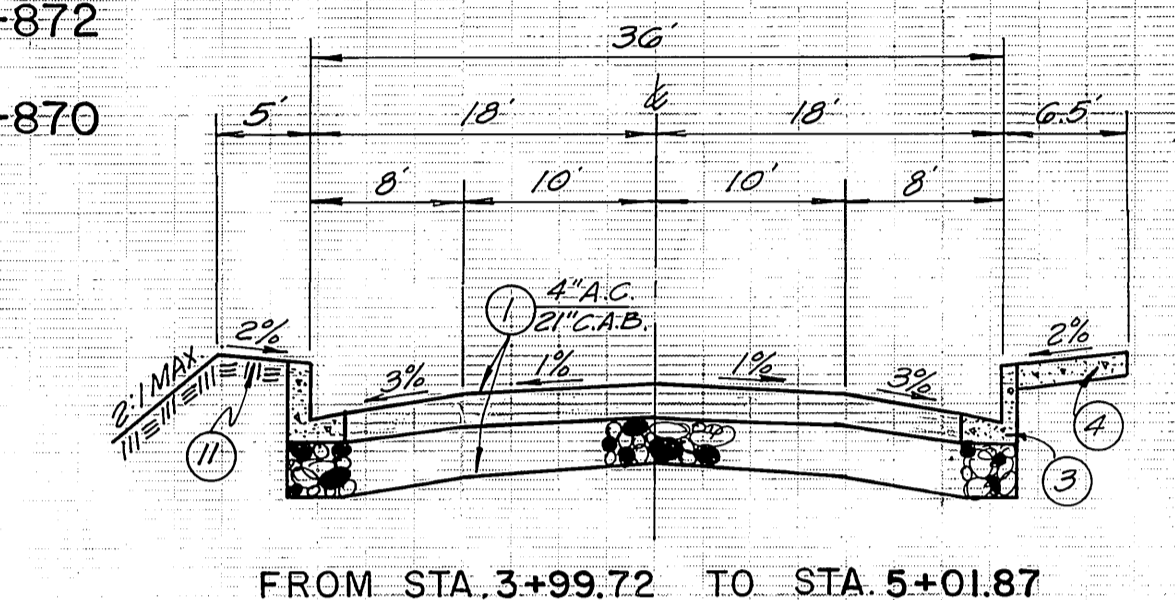
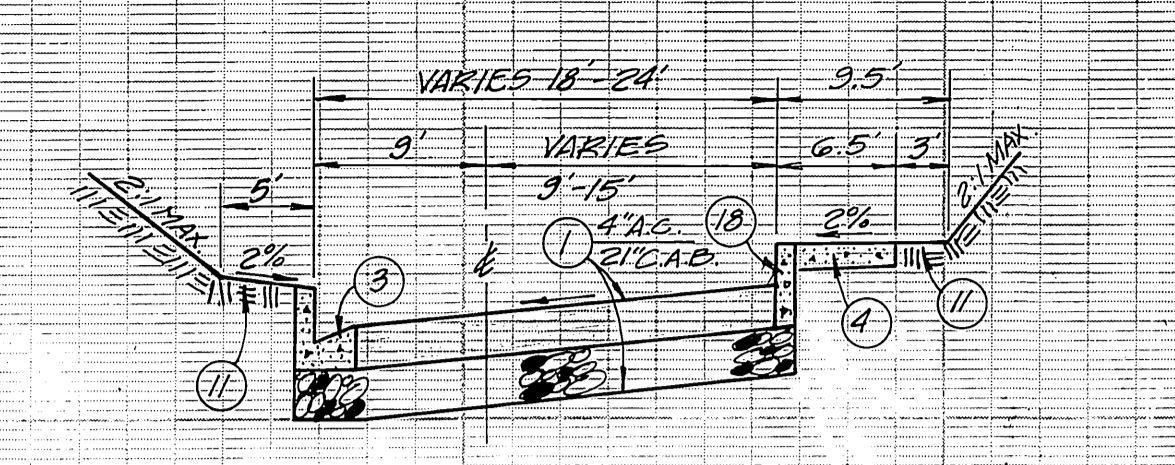
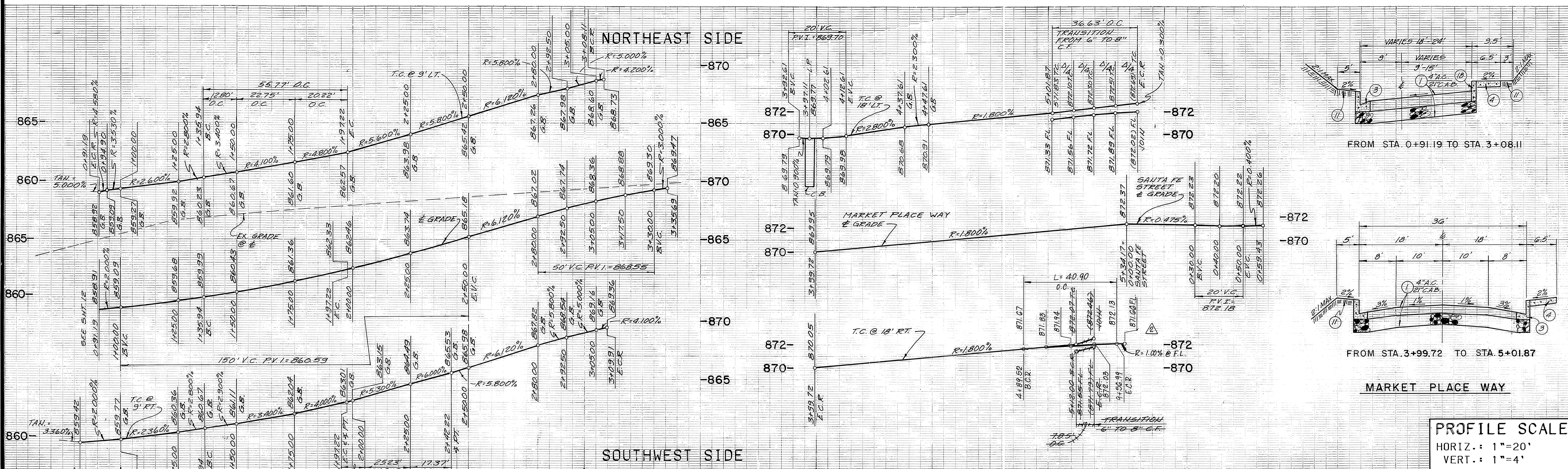
STREET PLAN AND PROFILE  
**UNIVERSITY AVENUE**  
**MULBERRY STREET**  
 THE RIVERSIDE MARKET PLACE

ACCOUNT NO.  
 R-3231

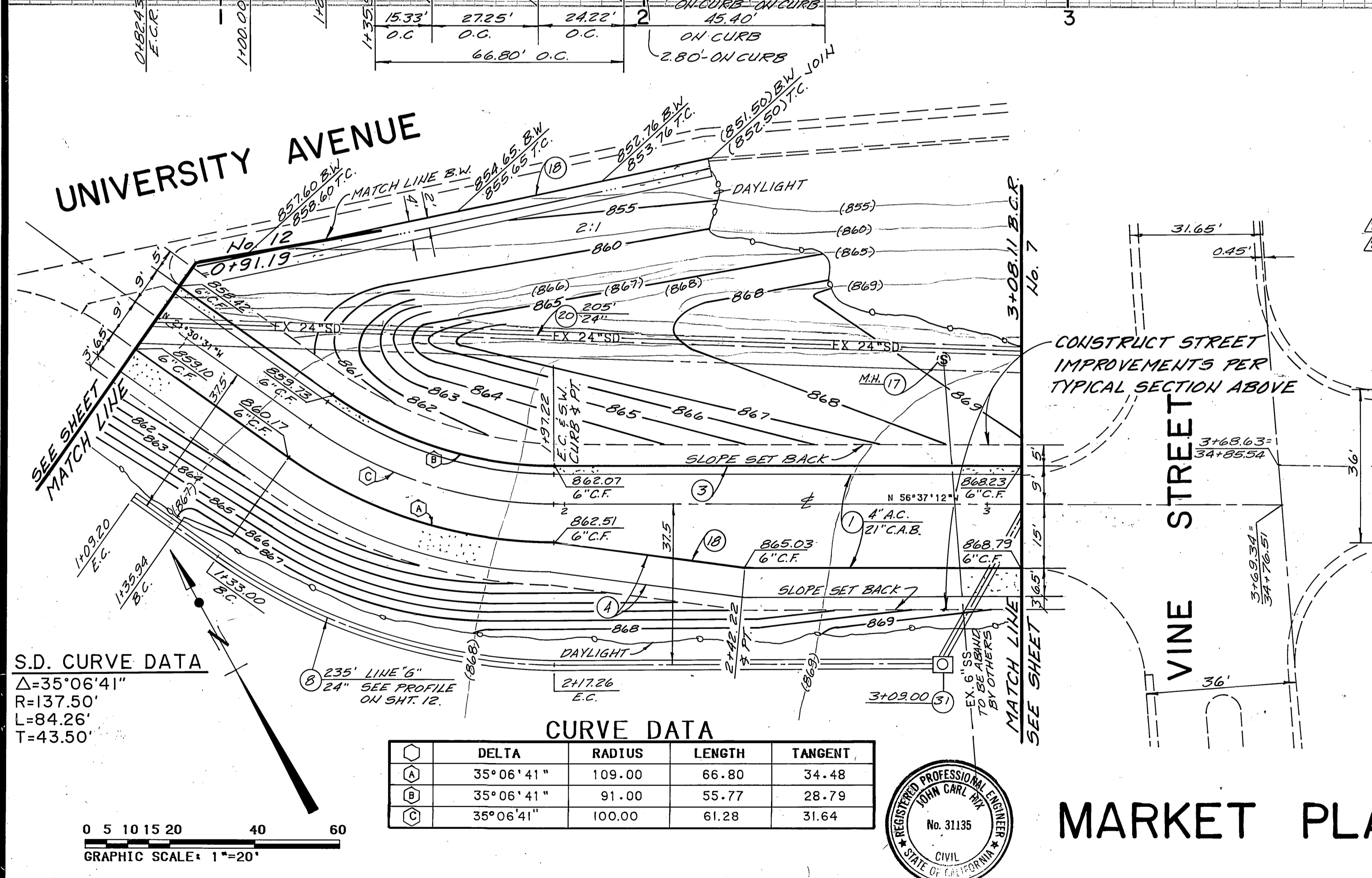
SHEET 12 OF 17

HORIZ. SCALE: 1"=20' VERT. SCALE: 1"=4'



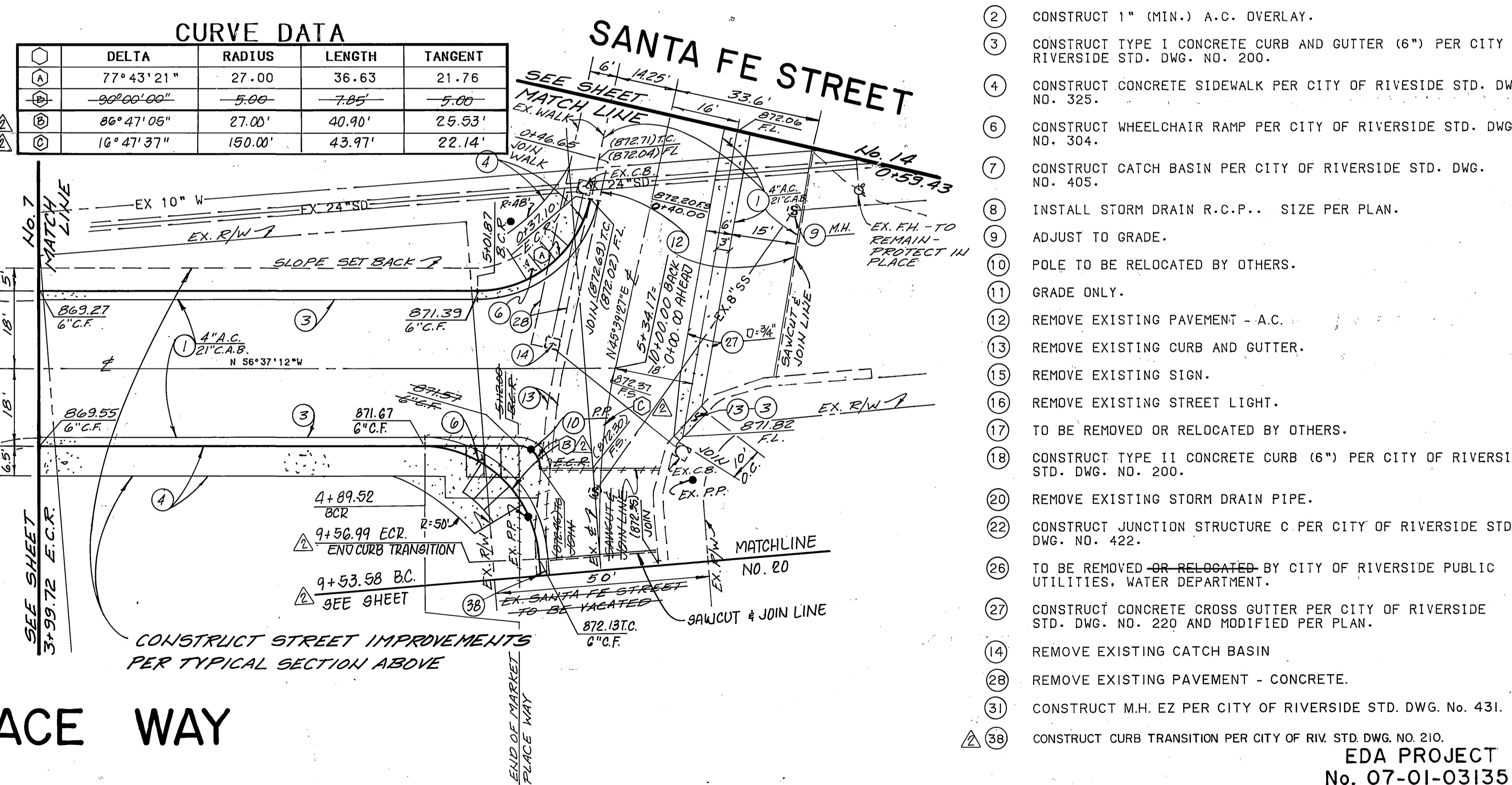


**PROFILE SCALE**  
 HORIZ.: 1"=20'  
 VERT.: 1"=4'



**CURVE DATA**

DELTA	RADIUS	LENGTH	TANGENT
77°43'21"	27.00	36.63	21.76
90°00'00"	5.00	7.85	5.00
86°47'06"	27.00	40.90	25.53
10°47'37"	150.00	43.97	22.14



- CONSTRUCTION NOTES**
- CONSTRUCT A.C. PAVING OVER C.A.B. PER PLAN.
  - CONSTRUCT 1" (MIN.) A.C. OVERLAY.
  - CONSTRUCT TYPE I CONCRETE CURB AND GUTTER (6") PER CITY OF RIVERSIDE STD. DWG. NO. 200.
  - CONSTRUCT CONCRETE SIDEWALK PER CITY OF RIVERSIDE STD. DWG. NO. 325.
  - CONSTRUCT WHEELCHAIR RAMP PER CITY OF RIVERSIDE STD. DWG. NO. 304.
  - CONSTRUCT CATCH BASIN PER CITY OF RIVERSIDE STD. DWG. NO. 405.
  - INSTALL STORM DRAIN R.C.P. SIZE PER PLAN.
  - ADJUST TO GRADE.
  - POLE TO BE RELOCATED BY OTHERS.
  - GRADE ONLY.
  - REMOVE EXISTING PAVEMENT - A.C.
  - REMOVE EXISTING CURB AND GUTTER.
  - REMOVE EXISTING SIGN.
  - REMOVE EXISTING STREET LIGHT.
  - TO BE REMOVED OR RELOCATED BY OTHERS.
  - CONSTRUCT TYPE II CONCRETE CURB (6") PER CITY OF RIVERSIDE STD. DWG. NO. 200.
  - REMOVE EXISTING STORM DRAIN PIPE.
  - CONSTRUCT JUNCTION STRUCTURE C PER CITY OF RIVERSIDE STD. DWG. NO. 422.
  - TO BE REMOVED OR RELOCATED BY CITY OF RIVERSIDE PUBLIC UTILITIES, WATER DEPARTMENT.
  - CONSTRUCT CONCRETE CROSS GUTTER PER CITY OF RIVERSIDE STD. DWG. NO. 220 AND MODIFIED PER PLAN.
  - REMOVE EXISTING CATCH BASIN
  - REMOVE EXISTING PAVEMENT - CONCRETE.
  - CONSTRUCT M.H. EZ PER CITY OF RIVERSIDE STD. DWG. No. 431.
  - CONSTRUCT CURB TRANSITION PER CITY OF RIV. STD. DWG. NO. 210.

CENCOM CABLE T.V. SO. CALIF. GAS CO. CITY OF RIVERSIDE - WATER SYSTEM

Richard J. Durbak 7-5-91

**PSOMAS** Peomos & Associates-Riverside 3901 Line Street Riverside, California 92501 714/787-8421

**CITY OF RIVERSIDE PUBLIC WORKS DEPARTMENT**

STREET PLAN AND PROFILE MARKET PLACE WAY FROM 0+91.19 TO 5+34.17 THE RIVERSIDE MARKET PLACE

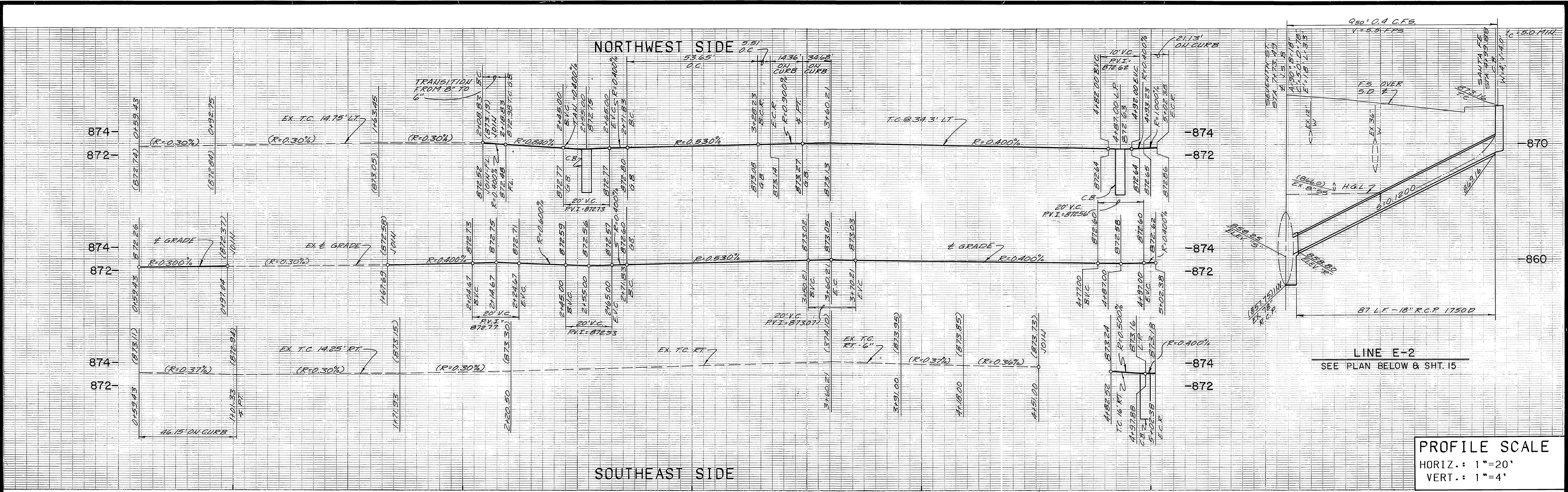
ACCOUNT NO. R-3231

DATE 5/5/91

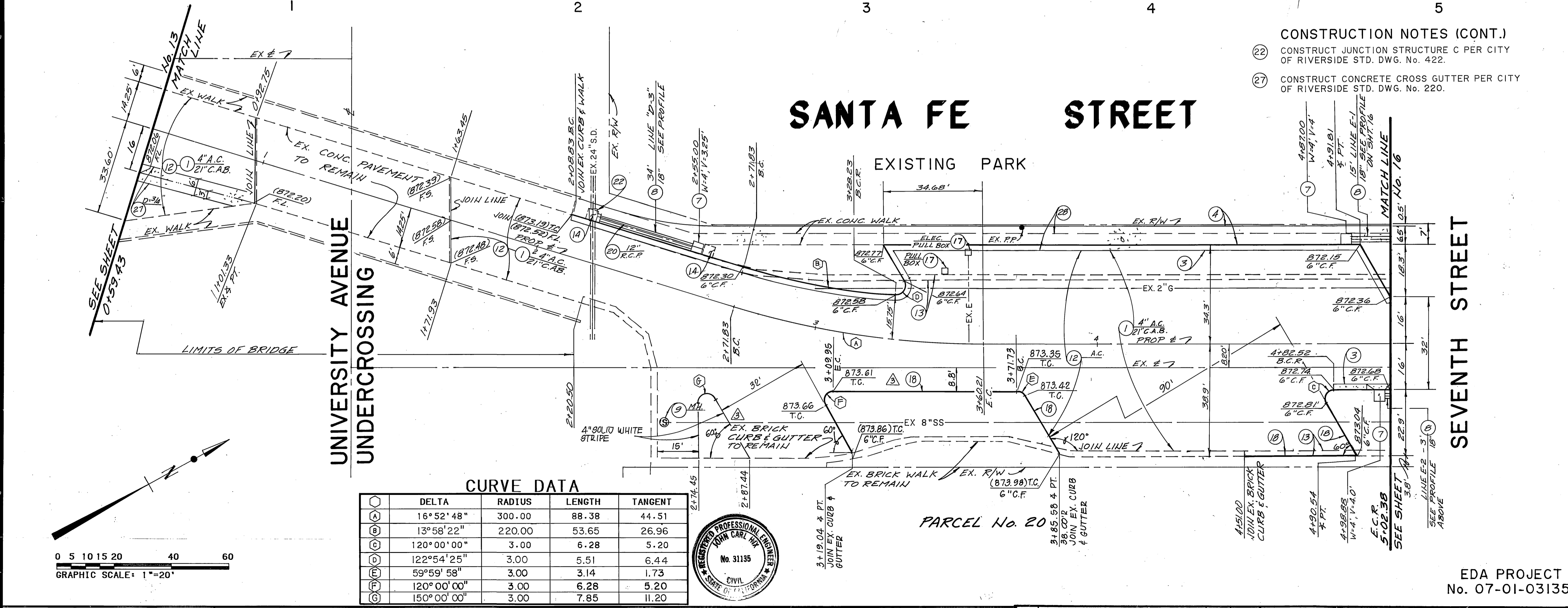
DESIGNED BY: [Signature] DRAWN BY: [Signature] CHECKED BY: [Signature]

7/5/91 B.U.





**PROFILE SCALE**  
 HORIZ.: 1"=20'  
 VERT.: 1"=4'



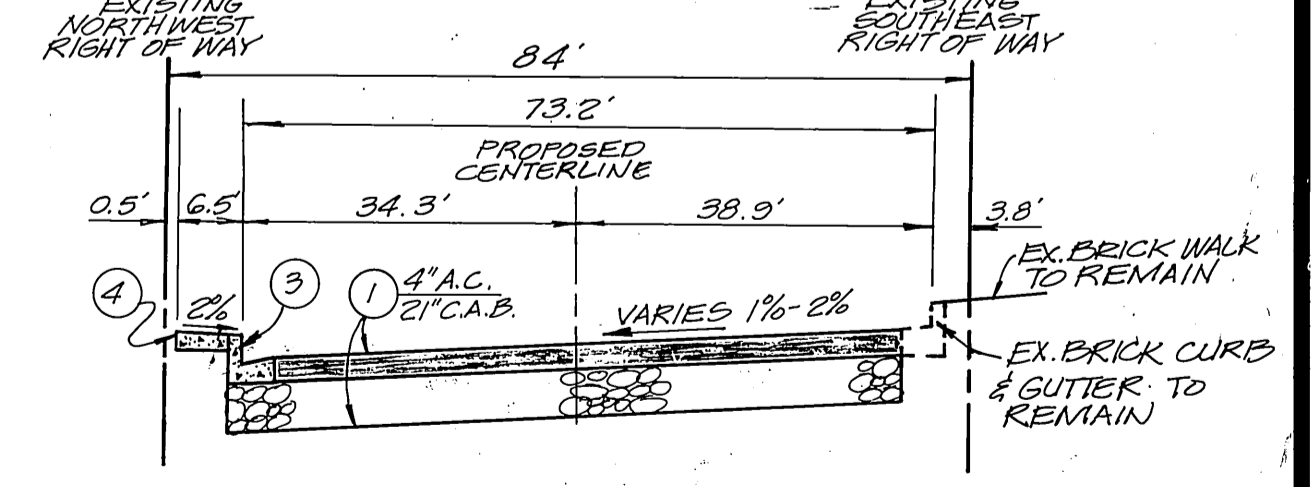
**CURVE DATA**

DELTA	RADIUS	LENGTH	TANGENT
16°52'48"	300.00	88.38	44.51
13°58'22"	220.00	53.65	26.96
120°00'00"	3.00	6.28	5.20
122°54'25"	3.00	5.51	6.44
59°59'58"	3.00	3.14	1.73
120°00'00"	3.00	6.28	5.20
150°00'00"	3.00	7.85	11.20

- CONSTRUCTION NOTES (CONT.)**
- 22 CONSTRUCT JUNCTION STRUCTURE C PER CITY OF RIVERSIDE STD. DWG. NO. 422.
  - 27 CONSTRUCT CONCRETE CROSS GUTTER PER CITY OF RIVERSIDE STD. DWG. NO. 220.

**CONSTRUCTION NOTES**

- 1 CONSTRUCT A.C. PAVING OVER C.A.B. PER PLAN.
- 3 CONSTRUCT TYPE I CONCRETE CURB AND GUTTER (6") PER CITY OF RIVERSIDE STD. DWG. NO. 200.
- 4 CONSTRUCT CONCRETE SIDEWALK PER CITY OF RIVERSIDE STD. DWG. NO. 325.
- 5 CONSTRUCT CONCRETE DRIVEWAY APPROACH PER CITY OF RIVERSIDE STD. DWG. NO. 302.
- 7 CONSTRUCT CATCH BASIN PER CITY OF RIVERSIDE STD. DWG. NO. 405.
- 8 INSTALL STORM DRAIN R.C.P. SIZE PER PLAN.
- 9 ADJUST TO GRADE.
- 11 GRADE ONLY.
- 12 REMOVE EXISTING PAVEMENT.
- 13 REMOVE EXISTING CURB AND GUTTER.
- 14 REMOVE EXISTING CATCH BASIN.
- 15 REMOVE EXISTING SIGN.
- 16 REMOVE EXISTING STREET LIGHT.
- 17 TO BE REMOVED OR RELOCATED BY OTHERS.
- 18 CONSTRUCT TYPE II CONCRETE CURB (6") PER CITY OF RIVERSIDE STD. DWG. NO. 200.
- 20 REMOVE EXISTING STORM DRAIN PIPE.
- 28 REMOVE EXISTING PAVEMENT - CONCRETE.



**SANTA FE STREET**  
 FROM STA. 2+80.69 TO STA. 4+77.32

CENCOM CABLE T.V.  
 Approved \_\_\_\_\_ Date \_\_\_\_\_

SO. CALIF. GAS CO.  
 Approved \_\_\_\_\_ Date \_\_\_\_\_

CITY OF RIVERSIDE - WATER SYSTEM  
 Richard L. Dadek 7-5-91  
 Approved \_\_\_\_\_ Date \_\_\_\_\_

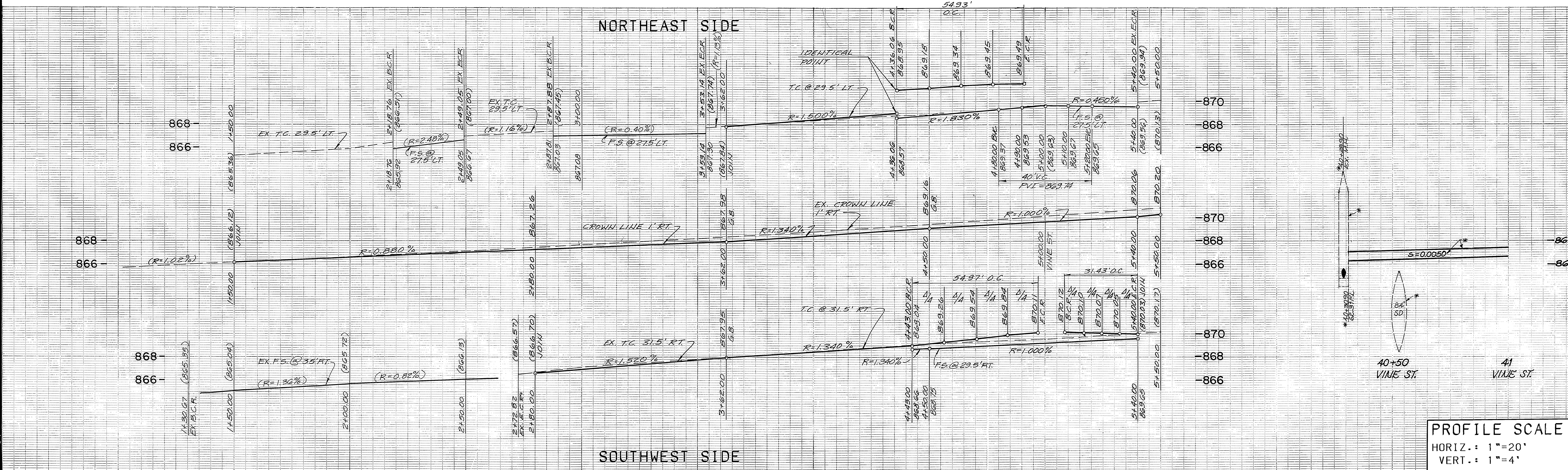
**PSOMAS**  
 Promos & Associates-Riverside  
 3901 Line Street  
 Riverside, California 92501  
 714/787-8421  
 Engineers Surveyors Planners

APPROVED BY \_\_\_\_\_ DATE 7-5-91  
 DEPUTY S.W. DIRECTOR  
 PRINCIPAL ENGINEER  
 CHIEF P.W. INSPECTOR  
 SURVEYOR  
 TRAFFIC DIVISION  
 PARK DEPARTMENT  
 STREET SERVICES

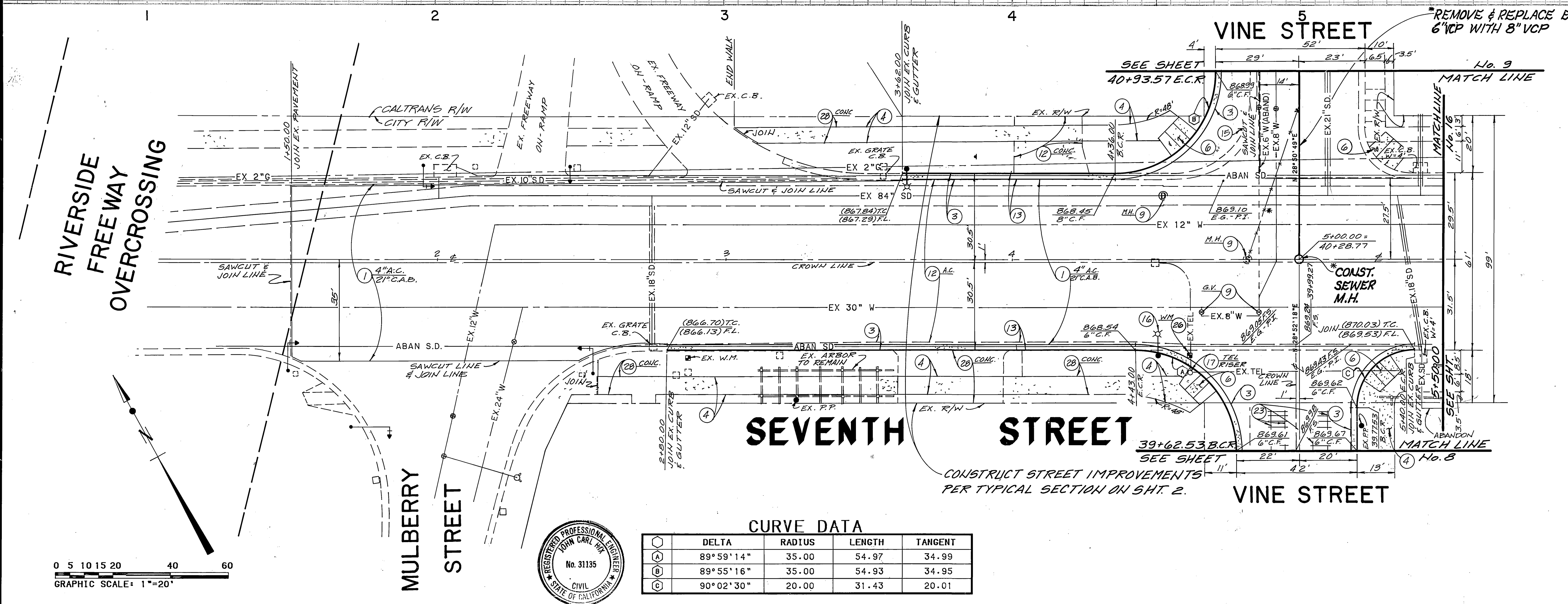
**CITY OF RIVERSIDE**  
**PUBLIC WORKS DEPARTMENT**  
 APPROVED BY \_\_\_\_\_ DATE 7/5/91  
 PUBLIC WORKS DIRECTOR

STREET PLAN AND PROFILE  
**SANTA FE STREET**  
 FROM 0+59.43 TO 5+02.38  
 THE RIVERSIDE MARKET PLACE  
 ACCOUNT NO. R-3231  
 SHEET 14 OF 17  
 HORIZ. SCALE: 1"=20' VERT. SCALE: 1"=4'





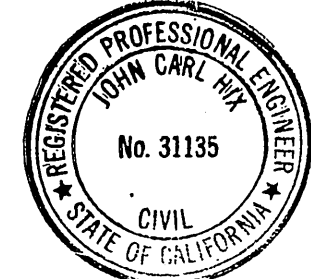
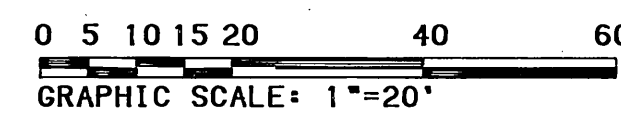
PROFILE SCALE  
 HORIZ.: 1"=20'  
 VERT.: 1"=4'



- CONSTRUCTION NOTES**
- CONSTRUCT A.C. PAVING OVER C.A.B. PER PLAN.
  - CONSTRUCT 1" (MIN.) A.C. OVERLAY.
  - CONSTRUCT TYPE I CONCRETE CURB AND GUTTER (6") PER CITY OF RIVERSIDE STD. DWG. NO. 200.
  - CONSTRUCT CONCRETE SIDEWALK PER CITY OF RIVERSIDE STD. DWG. NO. 325.
  - CONSTRUCT CONCRETE DRIVEWAY APPROACH PER CITY OF RIVERSIDE STD. DWG. NO. 302.
  - CONSTRUCT WHEELCHAIR RAMP PER CITY OF RIVERSIDE STD. DWG. NO. 304.
  - ADJUST TO GRADE.
  - GRADE ONLY.
  - REMOVE EXISTING PAVEMENT.
  - REMOVE EXISTING CURB AND GUTTER.
  - REMOVE EXISTING SIGN.
  - REMOVE EXISTING STREET LIGHT.
  - TO BE REMOVED OR RELOCATED BY OTHERS.
  - REMOVE EXISTING STORM DRAIN PIPE.
  - REMOVE EXISTING RAILROAD RAILS AND TIES.
  - TO BE REMOVED OR RELOCATED BY CITY OF RIVERSIDE PUBLIC UTILITIES, WATER DEPARTMENT
  - REMOVE EXISTING PAVEMENT - CONCRETE

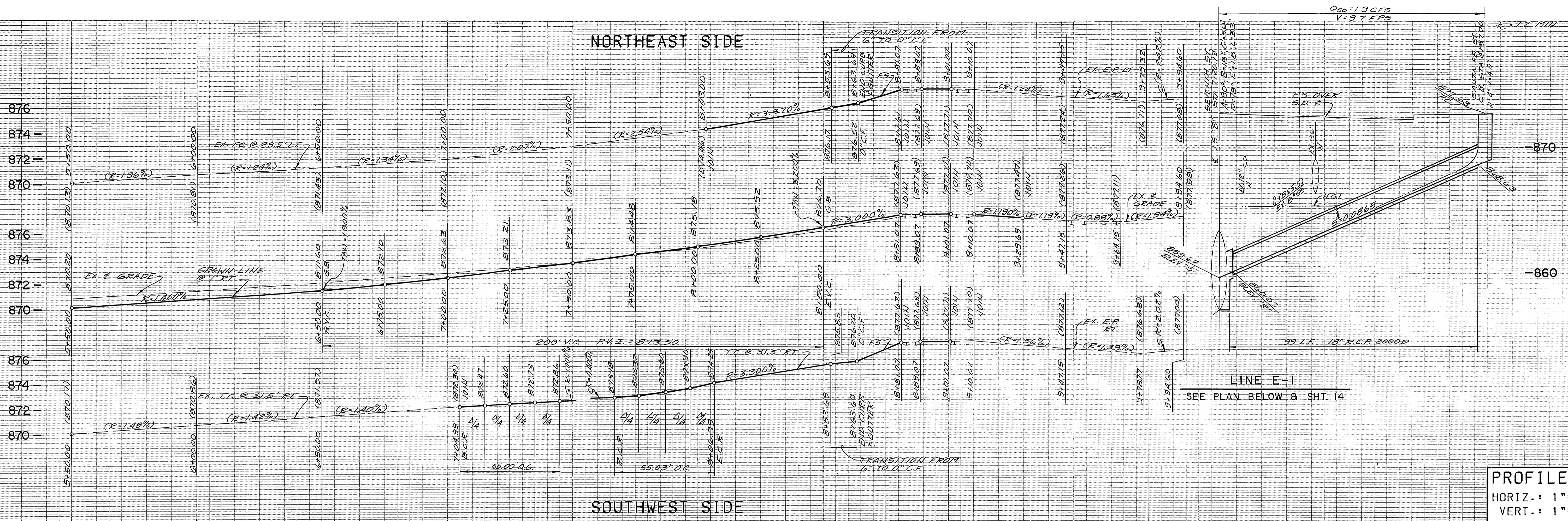
**CURVE DATA**

DELTA	RADIUS	LENGTH	TANGENT
89°59'14"	35.00	54.97	34.99
89°55'16"	35.00	54.93	34.95
90°02'30"	20.00	31.43	20.01

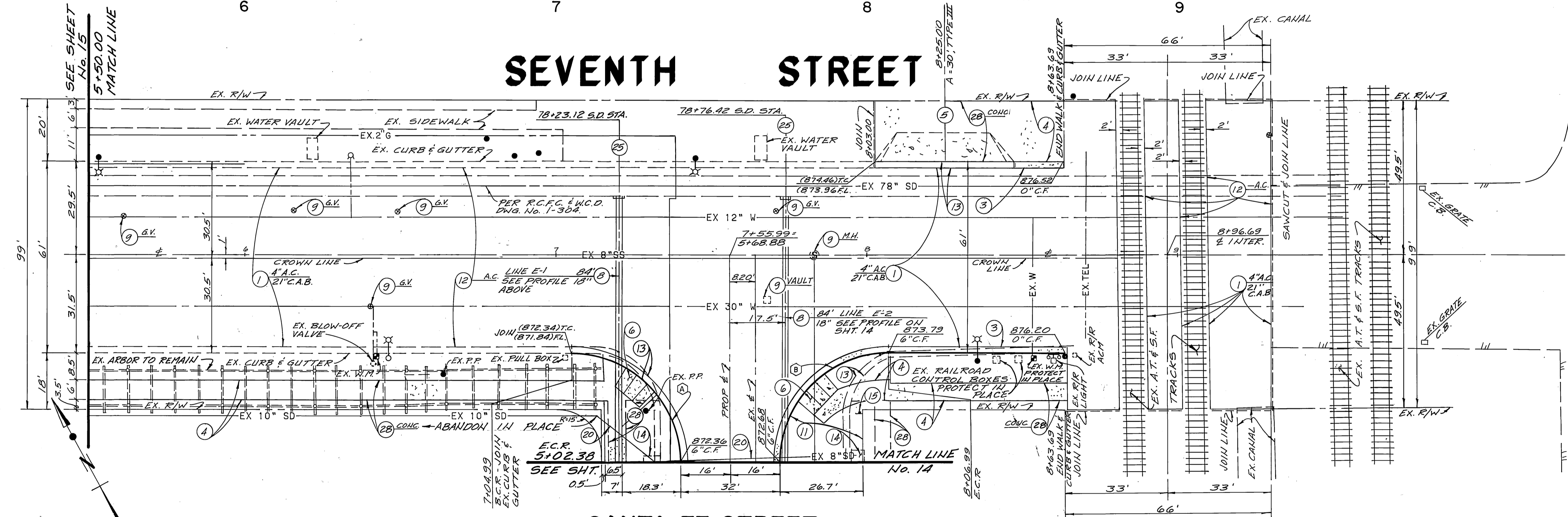


CENCOM CABLE T.V. Approved _____ Date _____	SO. CALIF. GAS CO. Approved _____ Date _____	CITY OF RIVERSIDE - WATER SYSTEM Richard L. Drobek 7-5-91 Approved _____ Date _____	<b>PSOMAS</b> Peomas & Associates-Riverside 3901 Lime Street Riverside, California 92501 714/787-8421	Engineers Surveyors Planners	<b>CITY OF RIVERSIDE</b> PUBLIC WORKS DEPARTMENT APPROVED BY: [Signature] DATE: 7/5/91	STREET PLAN AND PROFILE <b>SEVENTH STREET</b> FROM 1+50.00 TO 5+50.00 THE RIVERSIDE MARKET PLACE	ACCOUNT NO. R-3231 SHEET 15 OF 17
PACIFIC BELL Approved _____ Date _____	CITY OF RIVERSIDE - ELECTRIC Approved _____ Date _____	PLANS PREPARED UNDER THE DIRECTION OF John Carl Hix 5/19/91 JOHN HIX R.C.E. 31135 DATE	DESIGNED BY: S.L. DRAWN BY: M.H. CHECKED BY: J.C.H.	REVISIONS REVISED TOTAL SHEETS: 8	APPROVED BY: [Signature] DATE: 7/5/91	HORIZ. SCALE: 1"=20' VERT. SCALE: 1"=4'	INDEXED 7-92





PROFILE SCALE  
 HORIZ.: 1"=20'  
 VERT.: 1"=4'



- ### CONSTRUCTION NOTES
1. CONSTRUCT A.C. PAVING OVER C.A.B. PER PLAN.
  2. CONSTRUCT 1" (MIN.) A.C. OVERLAY.
  3. CONSTRUCT TYPE I CONCRETE CURB AND GUTTER (6") PER CITY OF RIVERSIDE STD. DWG. NO. 200.
  4. CONSTRUCT CONCRETE SIDEWALK PER CITY OF RIVERSIDE STD. DWG. NO. 325.
  5. CONSTRUCT CONCRETE DRIVEWAY APPROACH PER CITY OF RIVERSIDE STD. DWG. NO. 302.
  6. CONSTRUCT WHEELCHAIR RAMP PER CITY OF RIVERSIDE STD. DWG. NO. 304.
  9. ADJUST TO GRADE.
  11. GRADE ONLY.
  12. REMOVE EXISTING PAVEMENT.
  13. REMOVE EXISTING CURB AND GUTTER.
  14. REMOVE EXISTING CATCH BASIN.
  15. REMOVE EXISTING SIGN.
  16. REMOVE EXISTING STREET LIGHT.
  17. TO BE REMOVED OR RELOCATED BY OTHERS.
  20. REMOVE EXISTING STORM DRAIN PIPE.
  21. INSTALL STORM DRAIN R.C.P. SIZE PER PLAN.
  25. CONSTRUCT JUNCTION STRUCTURE B PER RIVERSIDE STD. DWG. NO. 421.
  28. REMOVE EXISTING PAVEMENT - CONCRETE.

**CURVE DATA SANTA FE STREET**

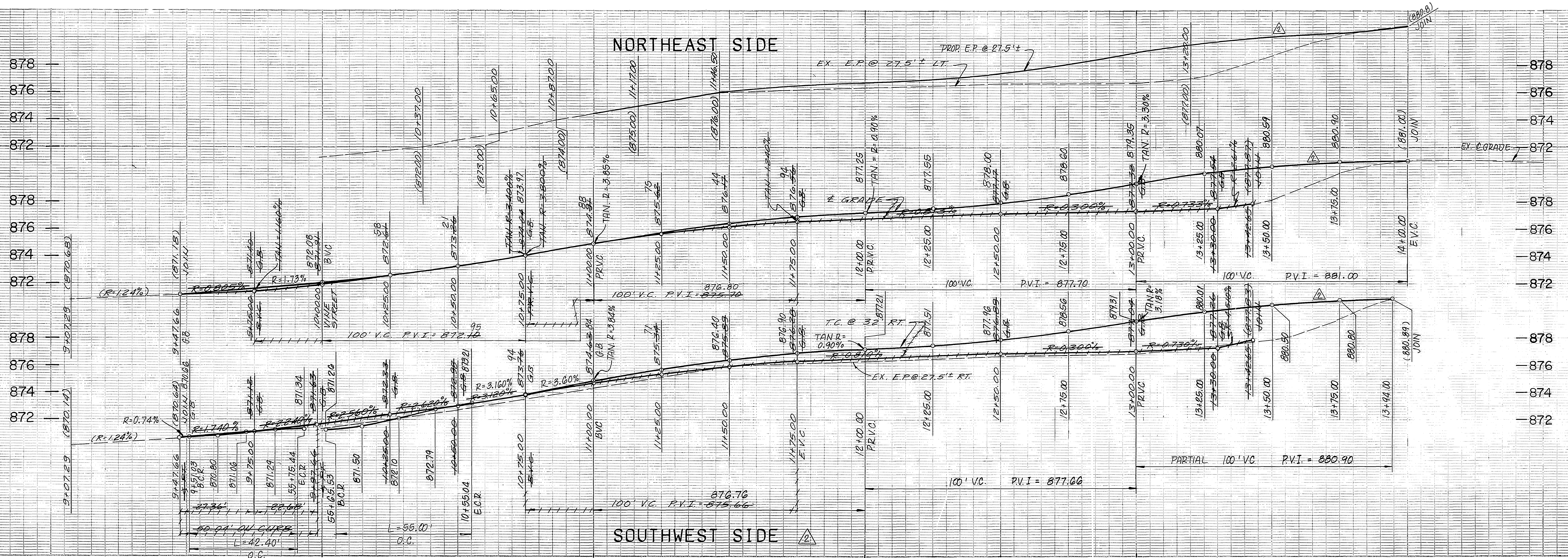
DELTA	RADIUS	LENGTH	TANGENT
(A)	90°04'48"	35.00	55.03
(B)	90°01'51"	35.00	55.02



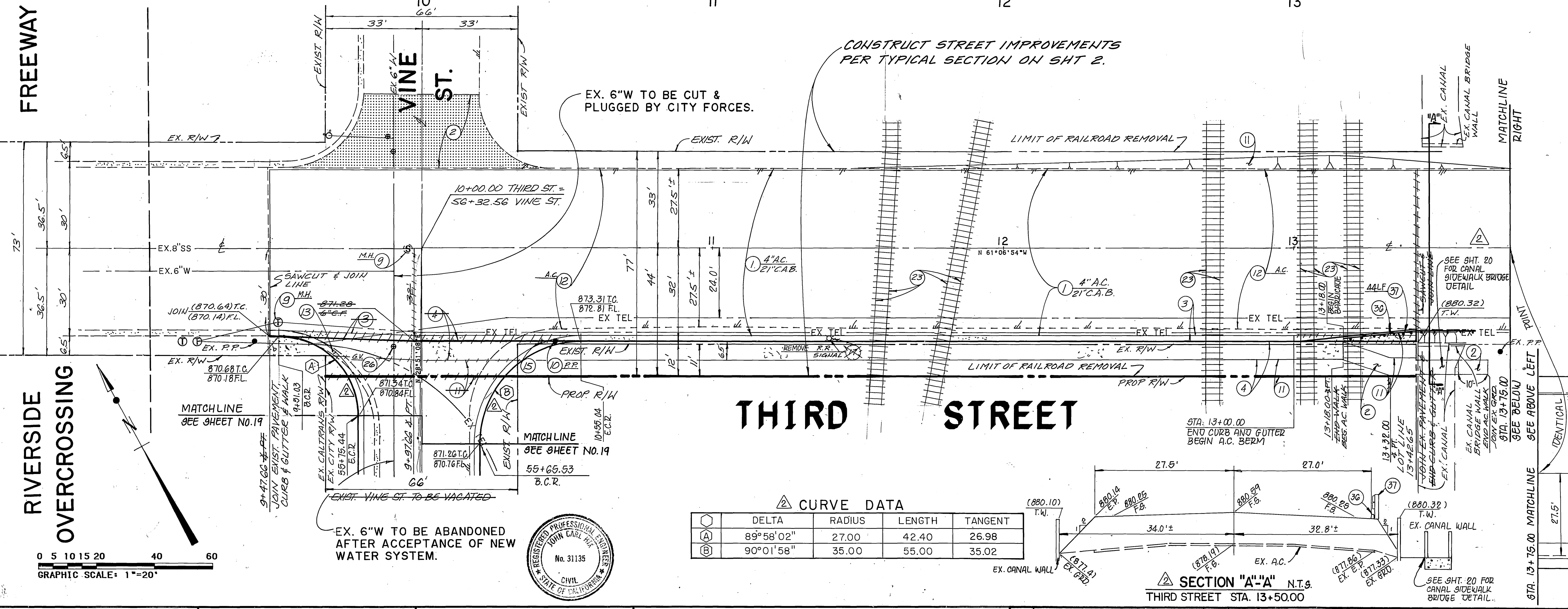
0 5 10 15 20 40 60  
 GRAPHIC SCALE: 1"=20'

CENCOM CABLE T.V. Approved _____ Date _____	SO. CALIF. GAS CO. Approved _____ Date _____	CITY OF RIVERSIDE - WATER SYSTEM Richard L. Dinkel 7-5-91 Approved _____ Date _____	<b>PSOMAS</b> Peomas & Associates-Riverside 3901 Line Street Riverside, California 92501 714/787-8421 Engineers Surveyors Planners	<b>CITY OF RIVERSIDE</b> PUBLIC WORKS DEPARTMENT Approved by _____ DATE 7-5-91 BY RLC PRINCIPAL ENGINEER Chief P.W. Inspector Surveyor Traffic Division Park Department Street Services	STREET PLAN AND PROFILE <b>SEVENTH STREET</b> FROM 5+50.00 TO 9+29.69 THE RIVERSIDE MARKET PLACE ACCOUNT NO. R-3231 SHEET 16 OF 17
PACIFIC BELL Approved _____ Date _____	CITY OF RIVERSIDE - ELECTRIC Approved _____ Date _____	PLANS PREPARED UNDER THE DIRECTION OF John Carl Hix 5/15/91 JOHN HIX R.C.E. 31135 DATE	DESIGNED BY J.C. DRAWN BY M.H. CHECKED BY C.D.H.	REVISED TOTAL SHEETS MARK REVISIONS APPR. DATE 1 10/16/91 2 5-91 DATE 7/5/91	HORIZ. SCALE: 1"=20' VERT. SCALE: 1"=4' INDEXED 6-17-92 L.H.





**PROFILE SCALE**  
 HORIZ.: 1"=20'  
 VERT.: 1"=4'

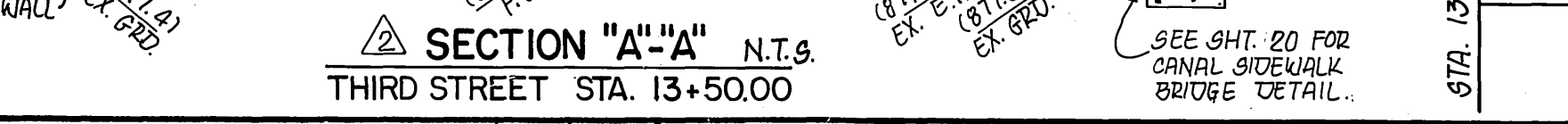


**CONSTRUCTION NOTES**

- ① CONSTRUCT A.C. PAVING OVER C.A.B. PER PLAN.
- ② CONSTRUCT 1" (MIN.) A.C. OVERLAY.
- ③ CONSTRUCT TYPE 1 CONCRETE CURB AND GUTTER (6") PER CITY OF RIVERSIDE STD. DWG. NO. 200.
- ④ CONSTRUCT CONCRETE SIDEWALK PER CITY OF RIVERSIDE STD. DWG. NO. 325.
- ⑤ CONSTRUCT CONCRETE DRIVEWAY APPROACH PER CITY OF RIVERSIDE STD. DWG. NO. 302.
- ⑥ ADJUST TO GRADE.
- ⑦ POLE TO BE RELOCATED BY OTHERS.
- ⑧ GRADE ONLY.
- ⑨ REMOVE EXISTING PAVEMENT.
- ⑩ REMOVE EXISTING CURB AND GUTTER.
- ⑪ REMOVE EXISTING SIGN.
- ⑫ TO BE REMOVED OR RELOCATED BY OTHERS.
- ⑬ REMOVE EXISTING RAILROAD RAILS AND TIES.
- ⑭ TO BE REMOVED BY CITY OF RIVERSIDE PUBLIC UTILITIES, WATER DEPARTMENT.
- ⑮ CONST. 6" AC. BERM PER CITY OF RIV. STD. DWG. NO. 250.
- ⑯ CONST. BARRICADE PER CITY OF RIV. STD. DWG. NO. 650.

**△ CURVE DATA**

DELTA	RADIUS	LENGTH	TANGENT
89°58'02"	27.00	42.40	26.98
90°01'58"	35.00	55.00	35.02



EDA PROJECT  
 No. 07-01-03135  
 AS BUILT 11/16/94

CENCOM CABLE T.V.	SO. CALIF. GAS CO.	CITY OF RIVERSIDE - WATER SYSTEM
Approved _____ Date _____	Approved _____ Date _____	Approved <i>Richard L. Duda</i> 7-5-91
PACIFIC BELL	CITY OF RIVERSIDE - ELECTRIC	PLANS PREPARED UNDER THE DIRECTION OF
Approved _____ Date _____	Approved _____ Date _____	<i>John Carl Hix</i> 5/15/91

**PSOMAS**  
 Peñas & Associates-Riverside  
 3901 Line Street  
 Riverside, California 92501  
 714/787-8421

Engineers  
 Surveyors  
 Planners

**CITY OF RIVERSIDE**  
 PUBLIC WORKS DEPARTMENT

APPROVED BY *[Signature]* DATE 7/5/91

DESIGNED BY *[Signature]* DRAWN BY *[Signature]* CHECKED BY *[Signature]*

STREET PLAN AND PROFILE  
**THIRD STREET**  
 FROM 9+47.66 TO 13+42.65  
 THE RIVERSIDE MARKET PLACE

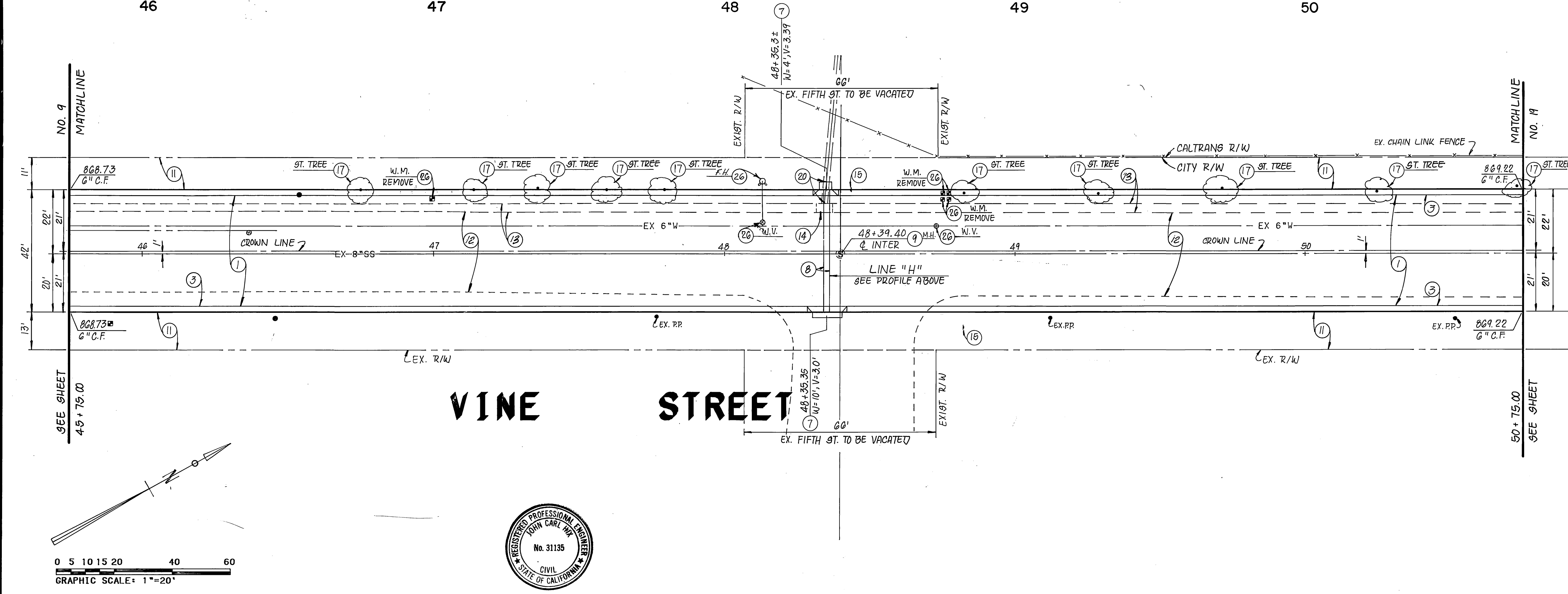
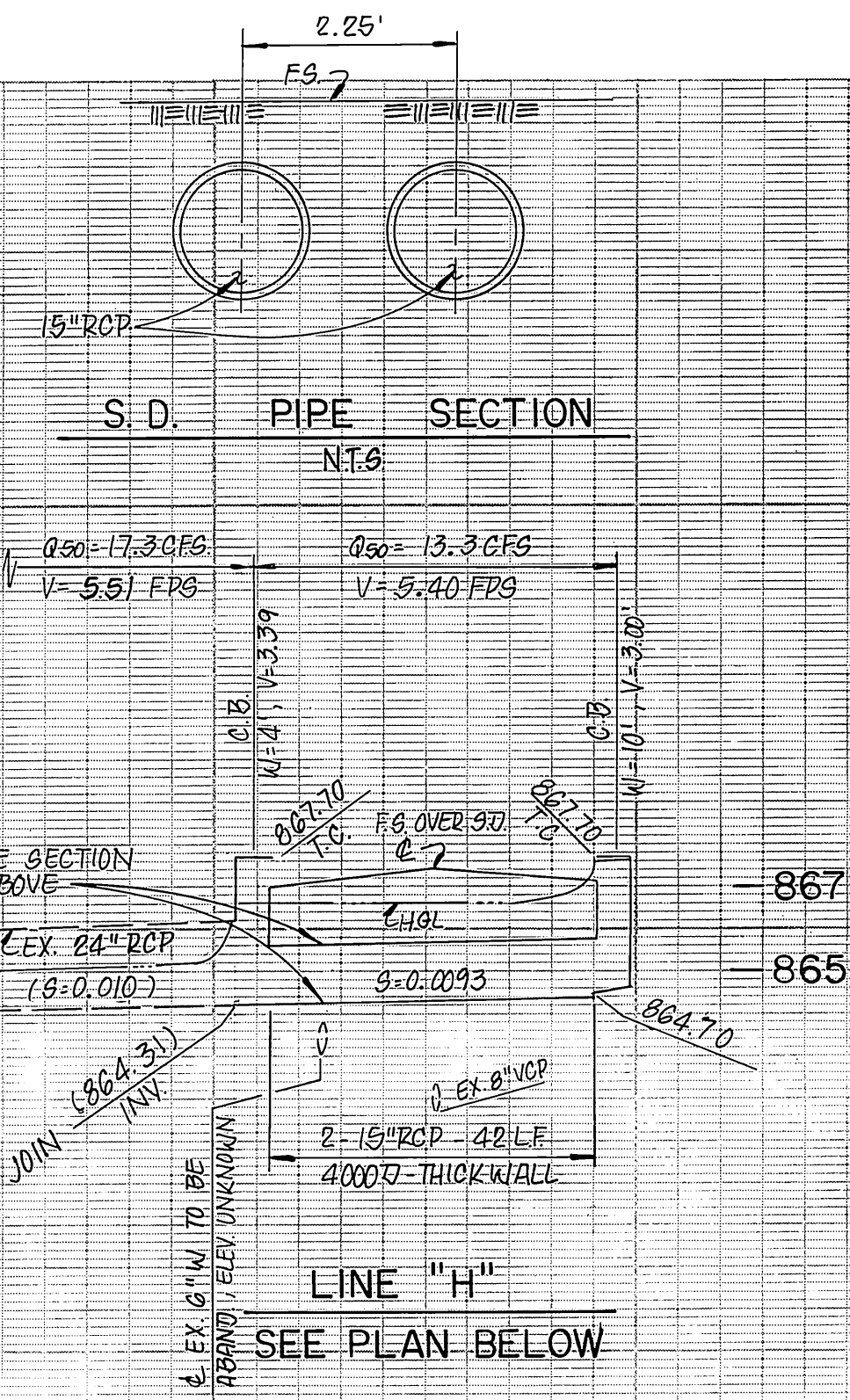
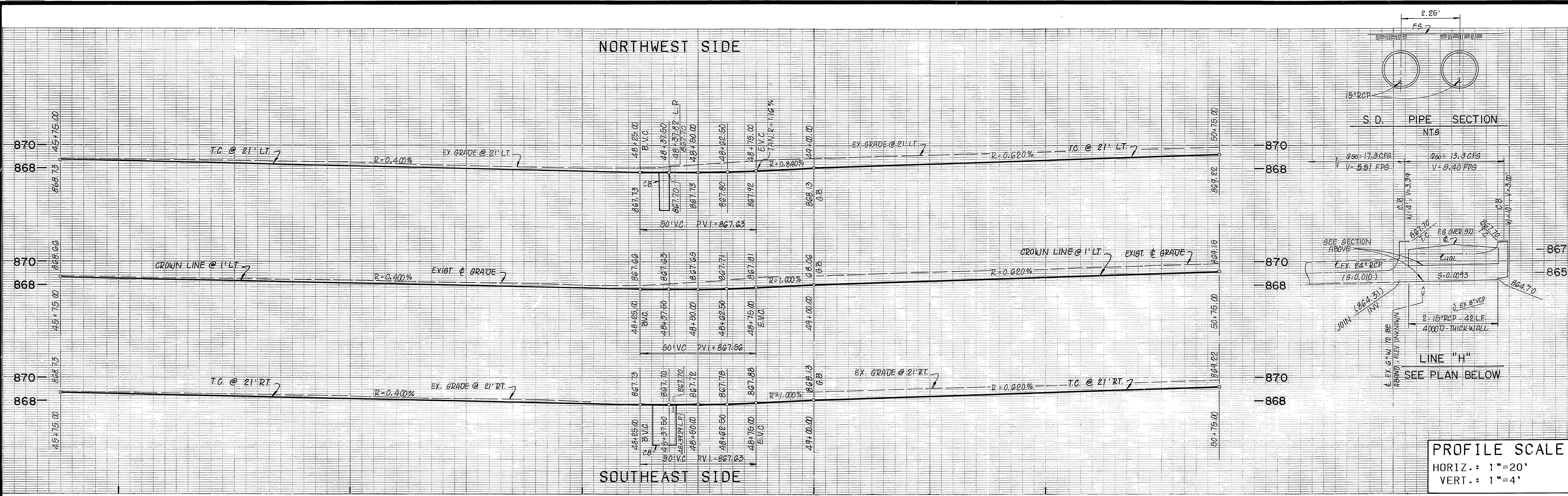
ACCOUNT NO. **R-3231**

SHEET **17** OF **17**

HORIZ. SCALE: 1"=20' VERT. SCALE: 1"=4'

INDEXED 6-17-91





- ### CONSTRUCTION NOTES
1. CONSTRUCT A.C. PAVING OVER C.A.B. PER PLAN.
  3. CONSTRUCT TYPE I CONCRETE CURB AND GUTTER (6") PER CITY OF RIVERSIDE STD. DWG. NO. 200.
  4. CONSTRUCT CONCRETE SIDEWALK PER CITY OF RIVERSIDE STD. DWG. NO. 325.
  7. CONSTRUCT CATCH BASIN PER CITY OF RIVERSIDE STD. DWG. NO. 405.
  8. INSTALL STORM DRAIN R.C.P.. SIZE PER PLAN.
  9. ADJUST TO GRADE.
  11. GRADE ONLY.
  12. REMOVE EXISTING PAVEMENT - A.C.
  13. REMOVE EXISTING CURB AND GUTTER.
  14. REMOVE EXISTING CATCH BASIN.
  15. REMOVE EXISTING SIGN.
  16. REMOVE EXISTING STREET LIGHT.
  17. TO BE REMOVED OR RELOCATED BY OTHERS.
  20. REMOVE EXISTING STORM DRAIN PIPE.
  26. TO BE REMOVED BY CITY OF RIVERSIDE PUBLIC UTILITIES, WATER DEPARTMENT.

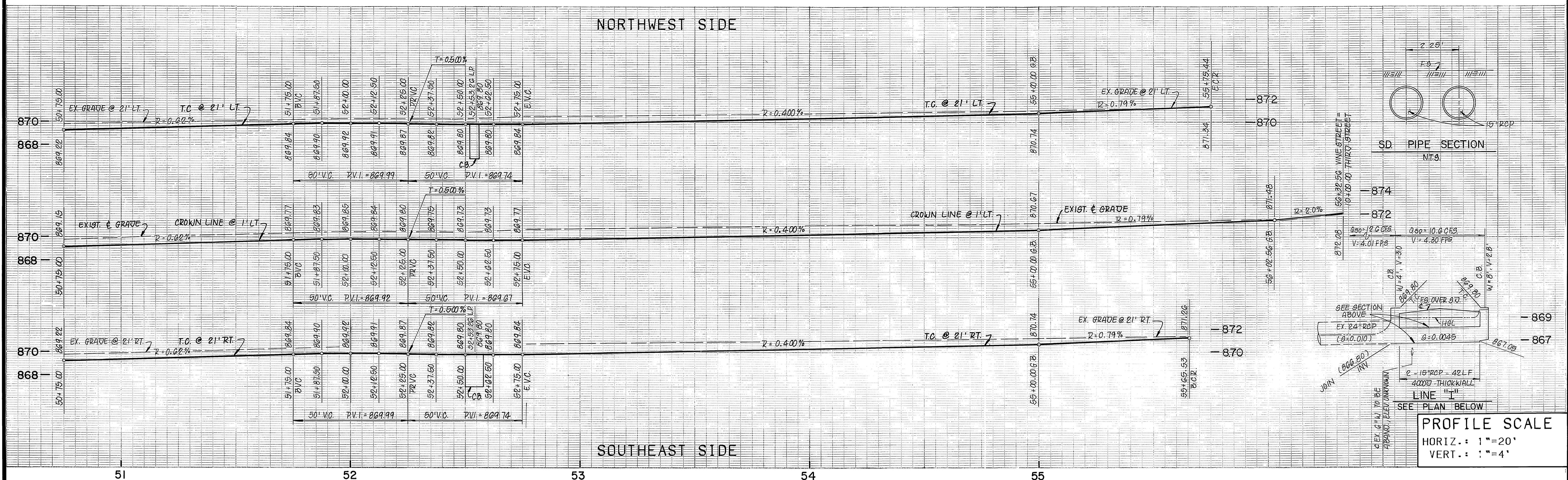


CHOICE CABLE T.V. Approved _____ Date _____	SO. CALIF. GAS CO. Approved _____ Date _____	CITY OF RIVERSIDE - WATER SYSTEM Richard J. Durbak 12/24/91 Approved _____ Date _____	<b>PSOMAS</b> Psomas & Associates-Riverside 3901 Lime Street Riverside, California 92501 714/787-8421	Engineers Surveyors Planners	<b>CITY OF RIVERSIDE</b> PUBLIC WORKS DEPARTMENT APPROVED BY: [Signature] DATE: 12/20/91 DEPUTY PW DIRECTOR: [Signature] DATE: 12/20/91 PRINCIPAL ENGINEER: [Signature] DATE: 12/20/91 CHIEF PW INSPECTOR: [Signature] DATE: 12/20/91 SURVEYOR: [Signature] DATE: 12/20/91 TRAFFIC DIVISION: [Signature] DATE: 12/20/91 PUBLIC DEPARTMENT: [Signature] DATE: 12/20/91 STREET SERVICES: [Signature] DATE: 12/20/91	STREET PLAN AND PROFILE <b>VINE STREET</b> from 45+75.00 to 50+75.00 THE RIVERSIDE MARKET PLACE HORIZ. SCALE: 1"=20' VERT. SCALE: 1"=4'	ACCOUNT NO. R-3231 SHEET 18 OF 20
PACIFIC BELL Approved _____ Date _____	CITY OF RIVERSIDE - ELECTRIC Approved _____ Date _____	PLANS PREPARED UNDER THE DIRECTION OF John Carl Hix 12/10/91 JOHN HIX R.C.E. 31135 DATE	DESIGNED BY: H.K. DRAWN BY: A.P. CHECKED BY: J.C.H.	12-10-91 E.H.	DATE: 12/20/91	INDEXED 6-17-92 YH	



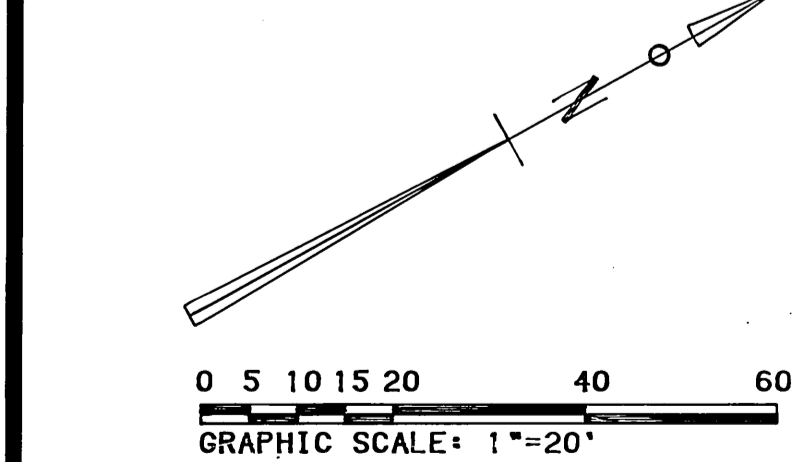
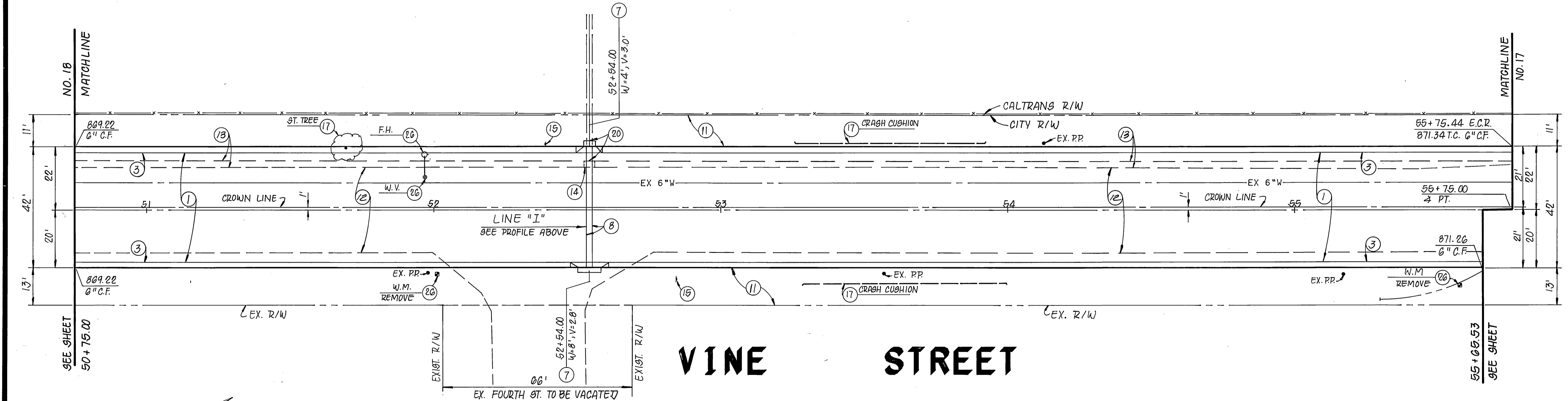
NORTHWEST SIDE

SOUTHEAST SIDE



CONSTRUCTION NOTES

- ① CONSTRUCT A.C. PAVING OVER C.A.B. PER PLAN.
- ③ CONSTRUCT TYPE 1 CONCRETE CURB AND GUTTER (6") PER CITY OF RIVERSIDE STD. DWG. NO. 200.
- ④ CONSTRUCT CONCRETE SIDEWALK PER CITY OF RIVERSIDE STD. DWG. NO. 325.
- ⑦ CONSTRUCT CATCH BASIN PER CITY OF RIVERSIDE STD. DWG. NO. 405.
- ⑧ INSTALL STORM DRAIN R.C.P.. SIZE PER PLAN.
- ⑪ GRADE ONLY.
- ⑫ REMOVE EXISTING PAVEMENT - A.C.
- ⑬ REMOVE EXISTING CURB AND GUTTER.
- ⑭ REMOVE EXISTING CATCH BASIN.
- ⑮ REMOVE EXISTING SIGN.
- ⑯ REMOVE EXISTING STREET LIGHT.
- ⑰ TO BE REMOVED OR RELOCATED BY OTHERS.
- ⑳ REMOVE EXISTING STORM DRAIN PIPE.
- ㉔ TO BE REMOVED BY CITY OF RIVERSIDE PUBLIC UTILITIES, WATER DEPARTMENT.

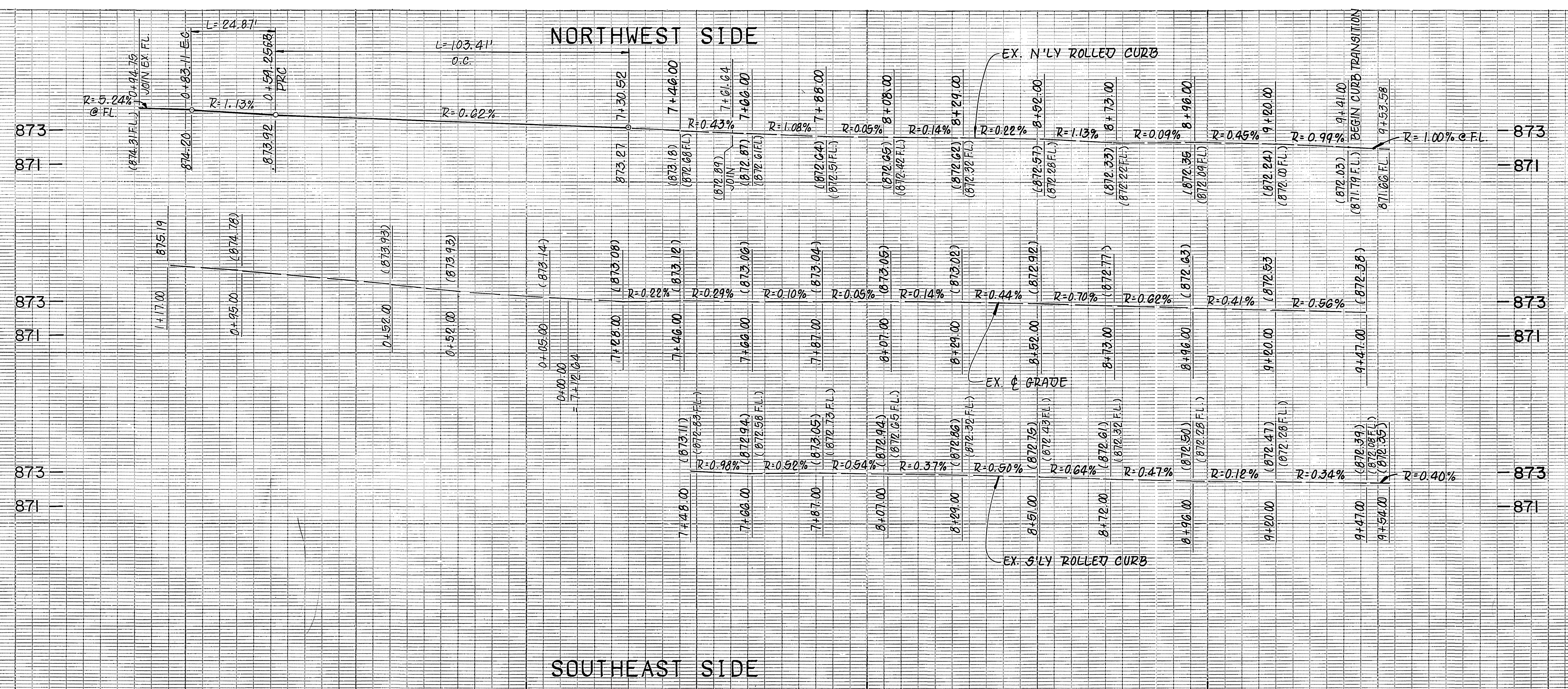


CHOICE CABLE T.V. Approved _____ Date _____	SO. CALIF. GAS CO. Approved _____ Date _____	CITY OF RIVERSIDE - WATER SYSTEM <i>Richard L. DeLuka</i> 12-24-91 Approved _____ Date _____	<p><b>PSOMAS</b></p> <p>Peaslee &amp; Associates-Riverside 3901 Line Street Riverside, California 92501 714/787-8421</p> <p>Engineers Surveyors Planners</p>	<p><b>CITY OF RIVERSIDE</b> PUBLIC WORKS DEPARTMENT</p> <p>APPROVED BY: <i>[Signature]</i> DATE: 12/10/91 DEPUTY PW DIRECTOR</p> <p>CHIEF PW INSPECTOR: <i>[Signature]</i> DATE: 12/10/91 SURVEYOR</p> <p>TRAFFIC DIVISION: <i>[Signature]</i> DATE: 12/10/91 PARK DEPARTMENT STREET SERVICES</p>	<p>STREET PLAN AND PROFILE <b>VINE STREET</b> FROM 50+75.00 TO 55+65.56 THE RIVERSIDE MARKET PLACE</p> <p>HORIZ. SCALE: 1"=20' VERT. SCALE: 1"=4'</p>	ACCOUNT NO. R-3231
PACIFIC BELL Approved _____ Date _____	CITY OF RIVERSIDE - ELECTRIC Approved _____ Date _____	PLANS PREPARED UNDER THE DIRECTION OF <i>John Carl Hix</i> 12/10/91 JOHN HIX R.C.E. 31135 DATE				DATE: 12/20/91

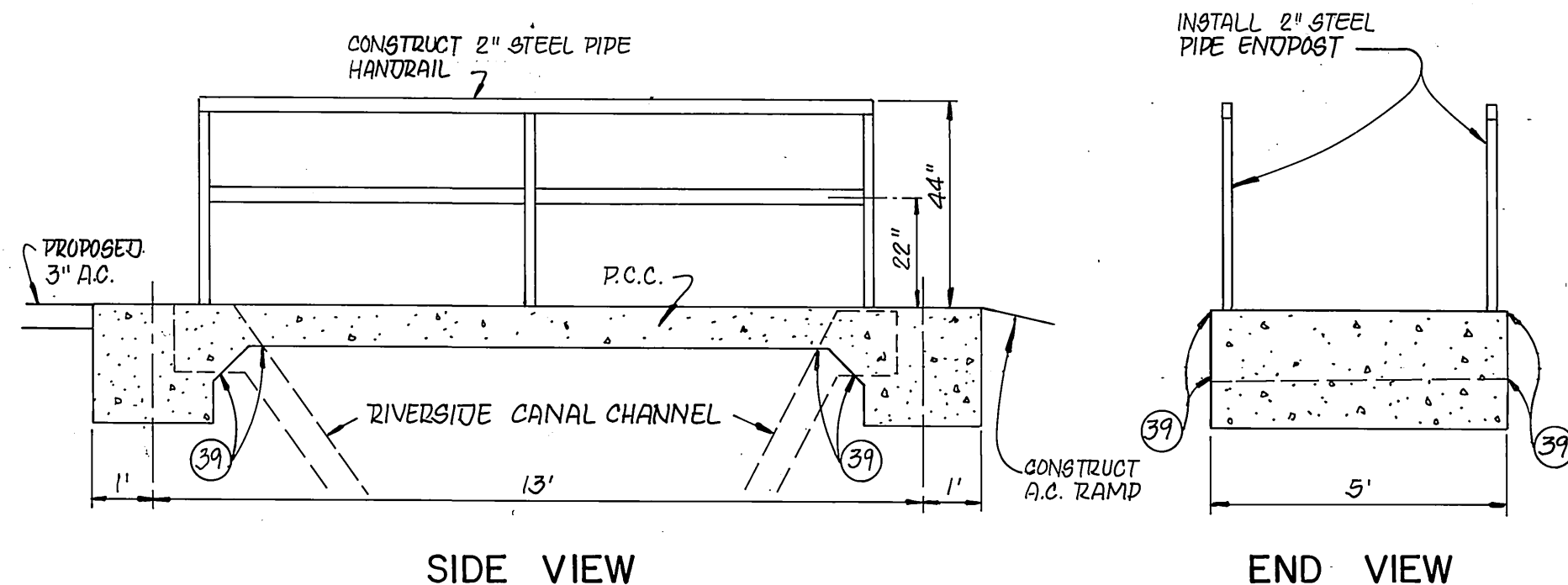
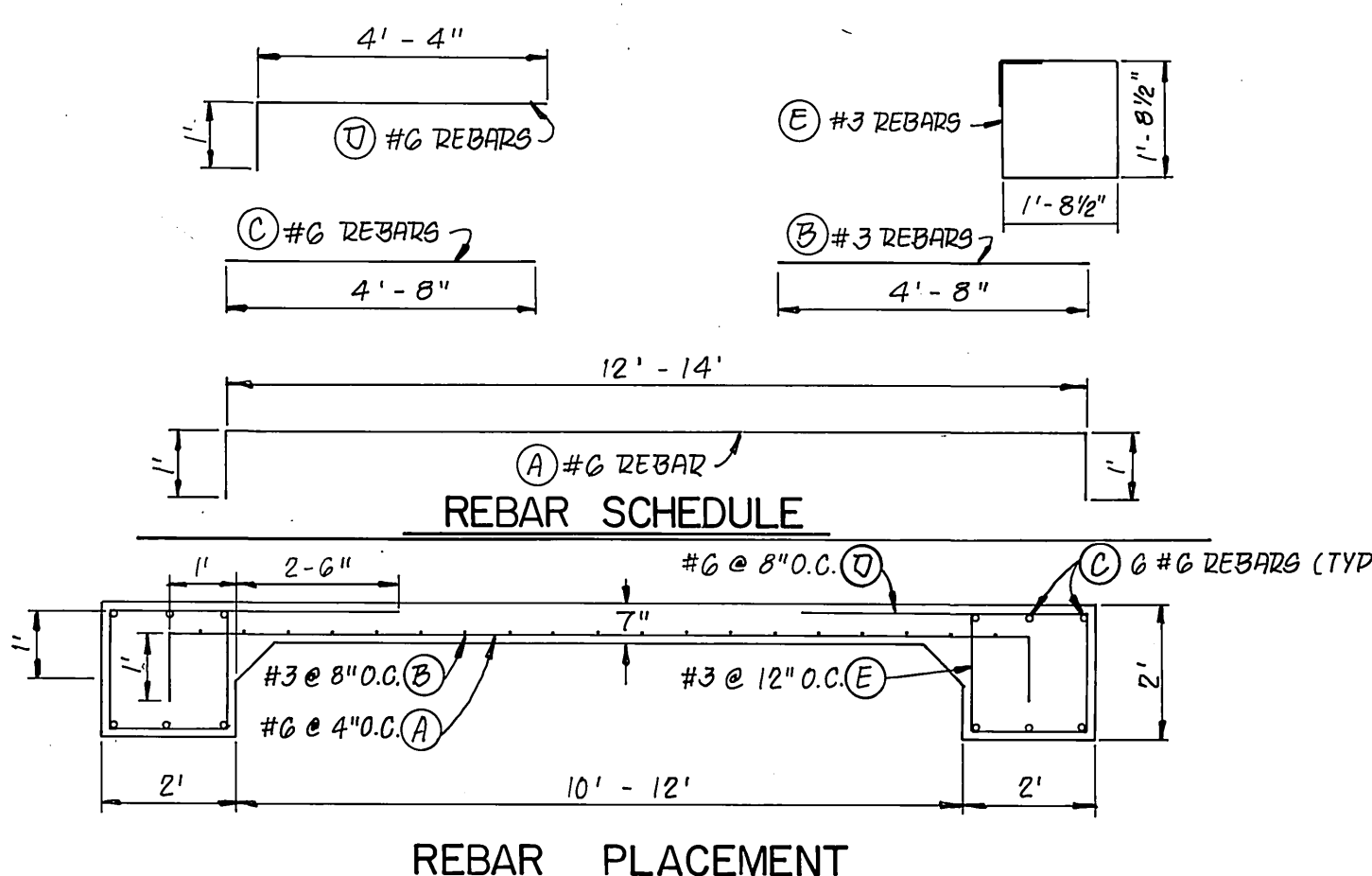
EDA PROJECT  
No. 07-01-03135

INDEXED 6-17-92



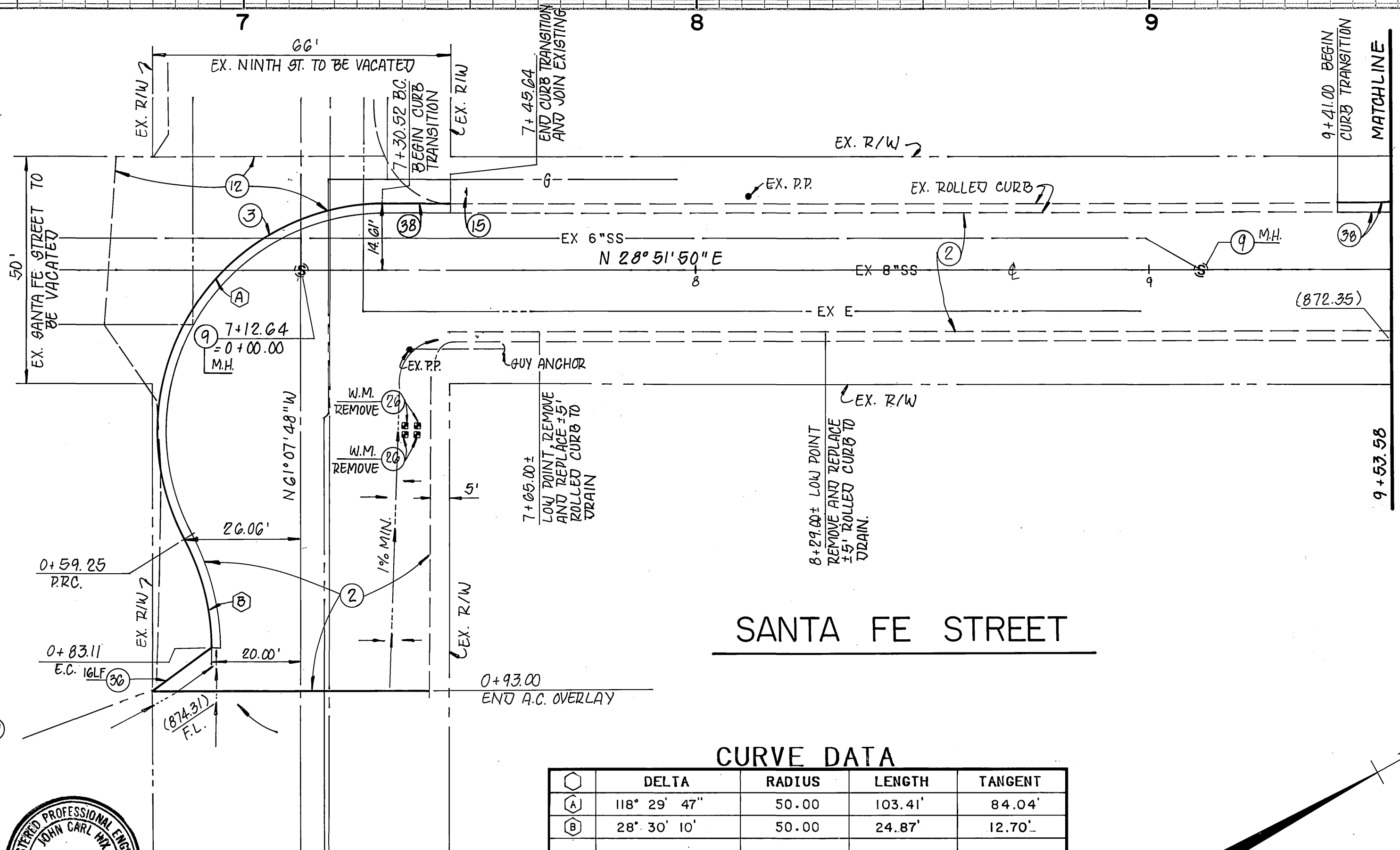


**PROFILE SCALE**  
 HORIZ.: 1"=20'  
 VERT.: 1"=4'



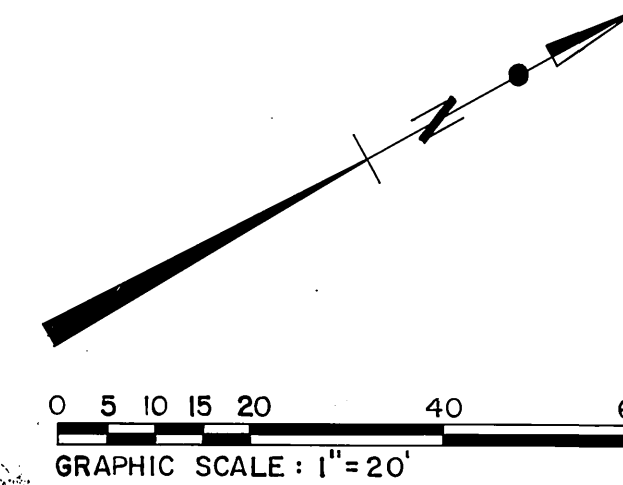
**BRIDGE DETAILS**

- N.T.S. SEE PLAN VIEW SHEET 17
- REBAR SHALL TERMINATE 2" FROM CONCRETE SURFACES
  - REBAR SHALL BE FURNISHED IN FULL LENGTH SHOWN AS APPROVED BY THE ENGINEER.
  - USE 30 BAR DIA. LAPS WHEN SPlicing BARS AS NECESSARY:  $f_y = 40,000$  PSI,  $f'_c = 3250$  PSI.



**CURVE DATA**

Δ	DELTA	RADIUS	LENGTH	TANGENT
(A)	118° 29' 47"	50.00	103.41'	84.04'
(B)	28° 30' 10"	50.00	24.87'	12.70'



**CONSTRUCTION NOTES**

- CONSTRUCT 1" (MIN.) A.C. OVERLAY.
- CONSTRUCT TYPE I CONCRETE CURB AND GUTTER (6") PER CITY OF RIVERSIDE STD. DWG. NO. 200.
- ADJUST TO GRADE.
- REMOVE EXISTING PAVEMENT - A.C.
- REMOVE EXISTING SIGN.
- TO BE REMOVED BY CITY OF RIVERSIDE PUBLIC UTILITIES, WATER DEPARTMENT.
- CONST. 6" A.C. BERM PER CITY OF RIV. STD. DWG. NO. 250.
- CONST. CURB TRANSITION PER CITY OF RIV. STD. DWG. NO. 210.
- SAWCUT & REMOVE EXISTING P.C.C. CURB & CANAL LINER TO FACILITATE CONSTRUCTION OF BRIDGE.

CHOICE CABLE T.V.	SD. CALIF. GAS CO.	CITY OF RIVERSIDE - WATER SYSTEM
Approved _____ Date _____	Approved _____ Date _____	Approved <i>Richard J. Doherty</i> 12/24/91 Date _____
PACIFIC BELL	CITY OF RIVERSIDE - ELECTRIC	PLANS PREPARED UNDER THE DIRECTION OF
Approved _____ Date _____	Approved _____ Date _____	<i>John Hix</i> 12/10/91 R.C.E. 31135 DATE

**PSOMAS**

Peomas & Associates-Riverside  
 3901 Line Street  
 Riverside, California 92501  
 714/787-8421

Engineers  
 Surveyors  
 Planners

**CITY OF RIVERSIDE**  
**PUBLIC WORKS DEPARTMENT**

APPROVED BY	DATE	BY	DATE
<i>[Signature]</i>	12/10/91	<i>[Signature]</i>	12/10/91
DEPUTY P.W. DIRECTOR		PRINCIPAL ENGINEER	
CHIEF P.W. INSPECTOR		SURVEYOR	
TRAFFIC DIVISION	DATE	PUBLIC WORKS DIRECTOR	DATE
DESIGNED BY <i>H.K.</i>		<i>[Signature]</i>	12/20/91
DRAWN BY <i>A.P.</i>			
CHECKED BY <i>J.C.H.</i>			

STREET PLAN AND PROFILE  
**SANTA FE STREET**  
 FROM 7+12.64 TO 9+53.58  
 THE RIVERSIDE MARKET PLACE

ACCOUNT NO.  
**R-3231**  
 SHEET **20** OF **20**

HORIZ. SCALE: 1"=20' VERT. SCALE: 1"=4'

INDEXED 6-17-92