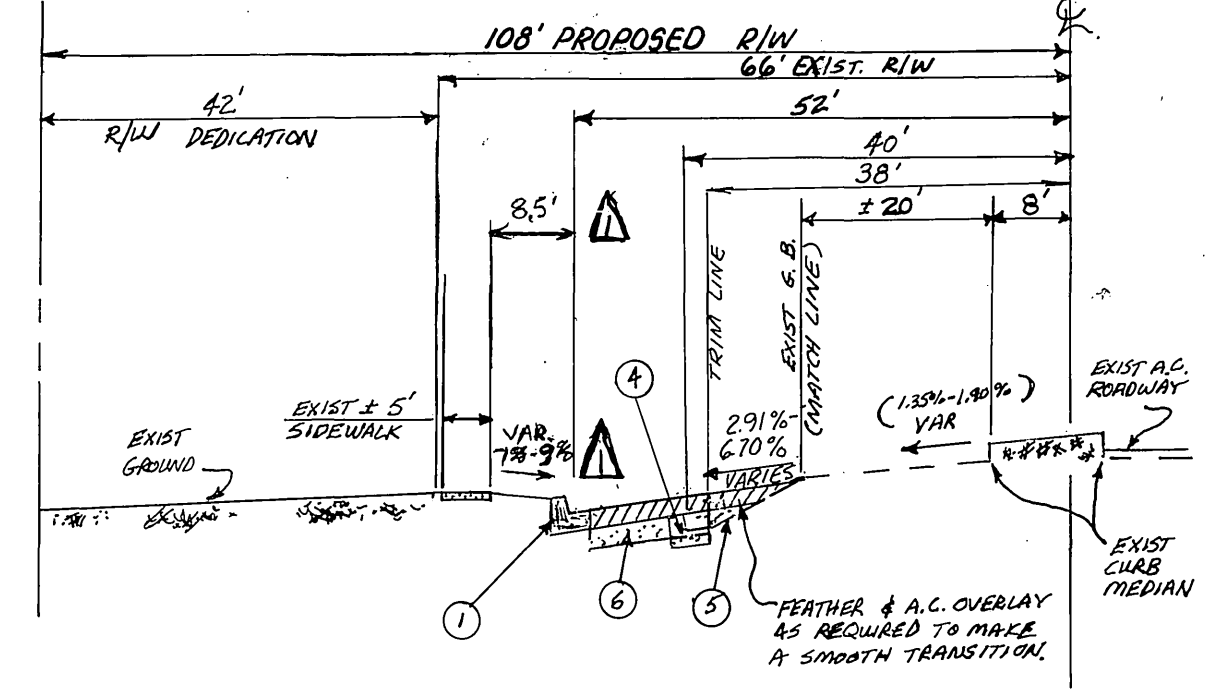
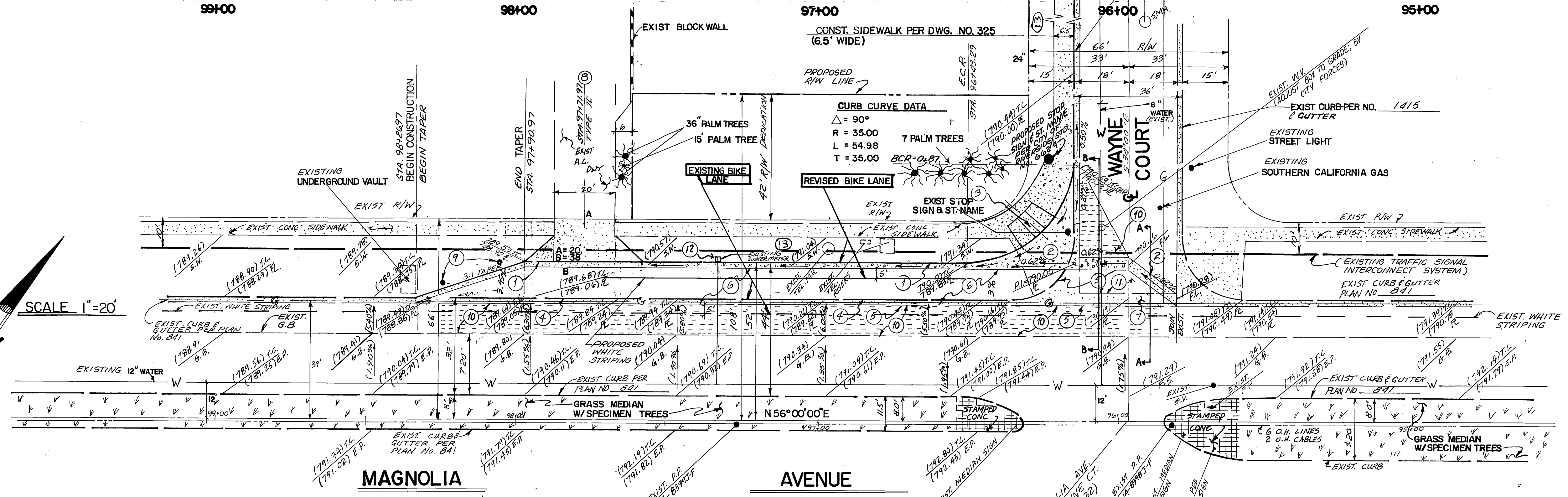


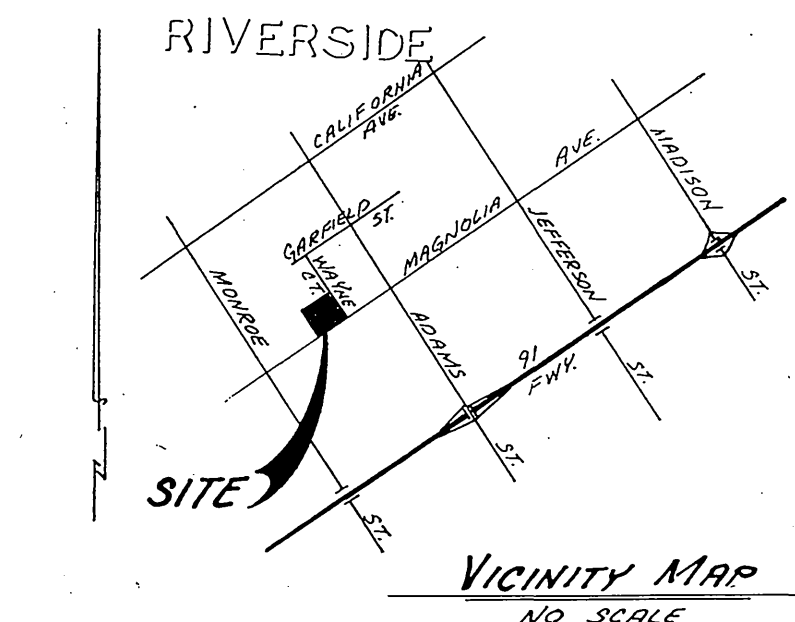
CONSTRUCTION NOTES CITY OF RIV. STD. DWG. NO. QUANTITY

- 1 CONSTRUCT 6" CURB & GUTTER (TYPE I) 200 236.98 L.F.
- 2 CONSTRUCT CROSS GUTTER W=6" 200 599 S.F.
- 3 CONSTRUCT WHEELCHAIR RAMP 304
- 4 REMOVE EXIST. CURB & GUTTER
- 5 SAWCUT
- 6 CONSTRUCT 4" AC OVER 8 1/2" CRUSHED AGGREGATE BASE PER S.R.M.G. R=59 SOILS REPORT BY LABELLE/MARVIN 2670 S.F.
- 7 REMOVE EXIST. CROSS GUTTER
- 8 CONSTRUCT DRIVEWAY APPROACH (AS NOTED) A=20 B=38, A'=30 B'=44 302 903 S.F.
- 9 INSTALL TYPE "F-1" MARKER ON 20' CENTERS 665 2 EA
- 10 CONSTRUCT OVERLAY FOR SMOOTH JOIN 2680 S.F.
- 11 REMOVE EXIST. A.C.
- 12 1-WATER METER, IF RELOCATION AND/OR ADJUSTMENTS IS REQUIRED, WORK BY CITY FORCES @ DEVELOPER'S EXPENSE. GENERAL NOTES
- 13 PROTECT IN PLACE ALL EXISTING STREET UTILITIES.

1. It shall be the responsibility of the contractor to clear the right of way in accordance with the provisions of law as it affects each utility including irrigation lines and appurtenances and at no cost to the City.
2. Construction shall be in accordance with the City of Riverside Department of Public Works, Standard Drawings, Standard Drawing No. 10 and the Standard Specifications for Public Works Construction, current edition.
3. The private engineer signing these plans is responsible for assuring the accuracy and acceptability of the work hereon. In the event of discrepancies arising during construction, the private engineer shall be responsible for determining an acceptable solution and revising the plans for approval by the City.
4. Quantities shown are for information only and the City of Riverside is not responsible for the accuracy.
5. The developer shall be responsible for preserving or re-establishing and referencing survey monuments destroyed, disturbed or buried as a result of construction shown hereon.
6. All flagged elevations shall be staked in the field by the private engineer.
7. Trim edge of existing pavement where new pavement joins to a smooth, straight line. Construct match-up paving as shown on plan and overlay paving as directed in the field to produce a smooth section.
8. Construct driveway approaches per Standard Drawing 302. Exact size and location to be as shown.
9. All overhanging tree limbs that are less than 14' above the street grade shall be trimmed back.
10. All traffic signs shall be installed prior to opening the streets to traffic.
11. Any traffic control striping obliterated and/or badly worn during construction shall be restored by the contractor within five days after notification from the City's Inspectors.
12. Final striping for traffic control and/or pavement marking to be the responsibility of the developer.
13. The contractor shall call in a location request to Underground Service ALERT (USA), Phone 81-800-422-4133, two working days before digging. No construction permit will be issued by the Public Works Department involving excavation for underground facilities unless the applicant has been provided an inquiry identification number by U.S.A.
14. In pavement overlay areas, distressed existing pavement shall be removed and replaced as directed by the Inspector prior to overlaying with A.C. paving.
15. Developer to give City Water Division five (5) working days written notice prior to start of construction and to allow city ten (10) working days for completion of work. Phone 714-351-0100.



T1=9.0
TYPICAL SECTION
MAGNOLIA AVENUE
SCALE 1"=20'



BENCHMARK:
P.K. 14112 CITY ENGINEER TAG
IN CURB S.E. OF THE NLY
CURB RETURN MAGNOLIA AVE. AT
SHERMAN DRIVE. ELEV. = 771.170

GAS
APPROVED BY: *[Signature]* 4-28-92 DATE

CENCOM CABLE
APPROVED BY: *[Signature]* 4-28-92 DATE

CITY OF RIVERSIDE WATER SYSTEM
APPROVED BY: *[Signature]* 4-30-92 DATE

PACIFIC TELEPHONE COMPANY
APPROVED BY: *[Signature]* DATE

VALLEY CONSULTANTS INC.
2730 S. HARBOR BLVD., SUITE G.
SANTA ANA, CA. 92704
(714) 540-7060

PLANS PREPARED UNDER THE SUPERVISION OF:
[Signature] DATE 11/15/91
RCE 29329 EXP 3/31/95



REVISIONS TO REFLECT AS BUILT	WIK 10-692
CONDITIONS	
MARK	
DESIGNED BY	IR/JM
DRAWN BY	IR/DLH
CHECKED BY	AM/CA

CITY OF RIVERSIDE
PUBLIC WORKS DEPARTMENT

APPROVED BY: *[Signature]* DATE 8/14/92

TRAFFIC DIVISION
CHIEF P.W. ENGINEER

STREET PLAN AND PROFILE
8471 MAGNOLIA AVE

R-21-890

HORIZ. SCALE: 1"=20' VERT. SCALE: 1"=4'

ACCOUNT NO. **R-3263**

SHEET **1** OF **1**