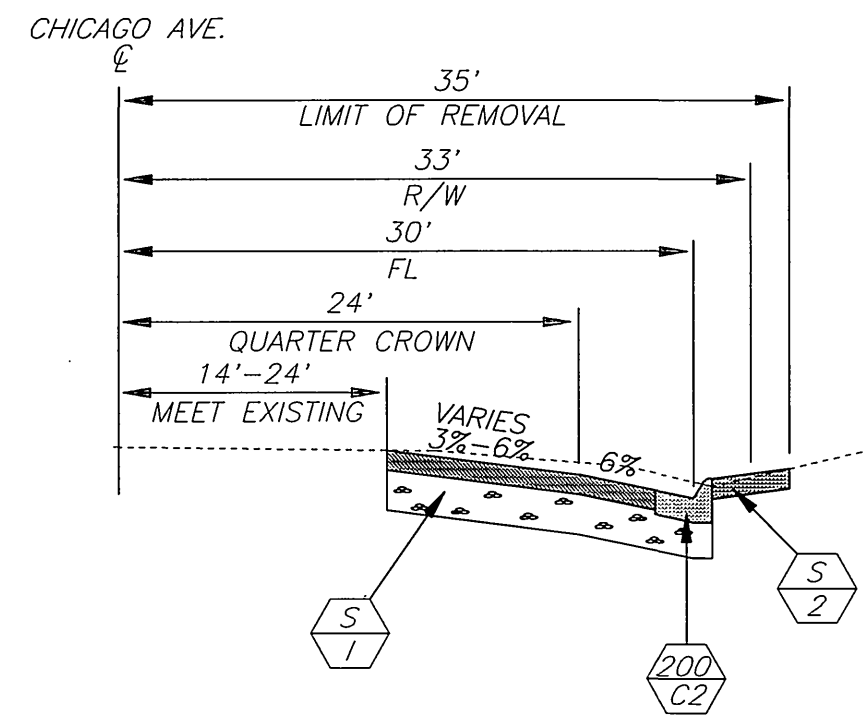
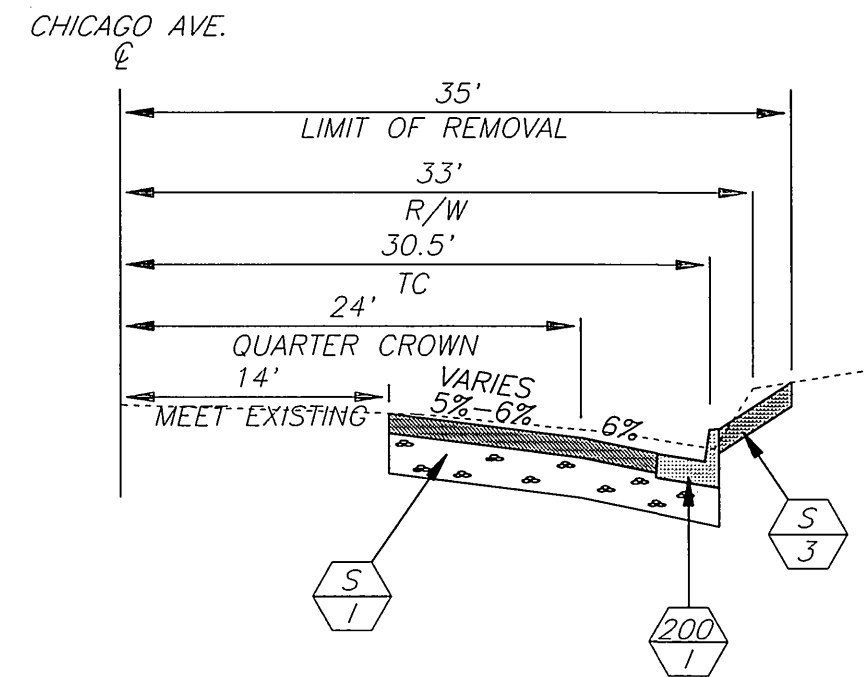


TYPICAL SECTION-CHICAGO AVENUE



STA. 8+11 TO 12+77



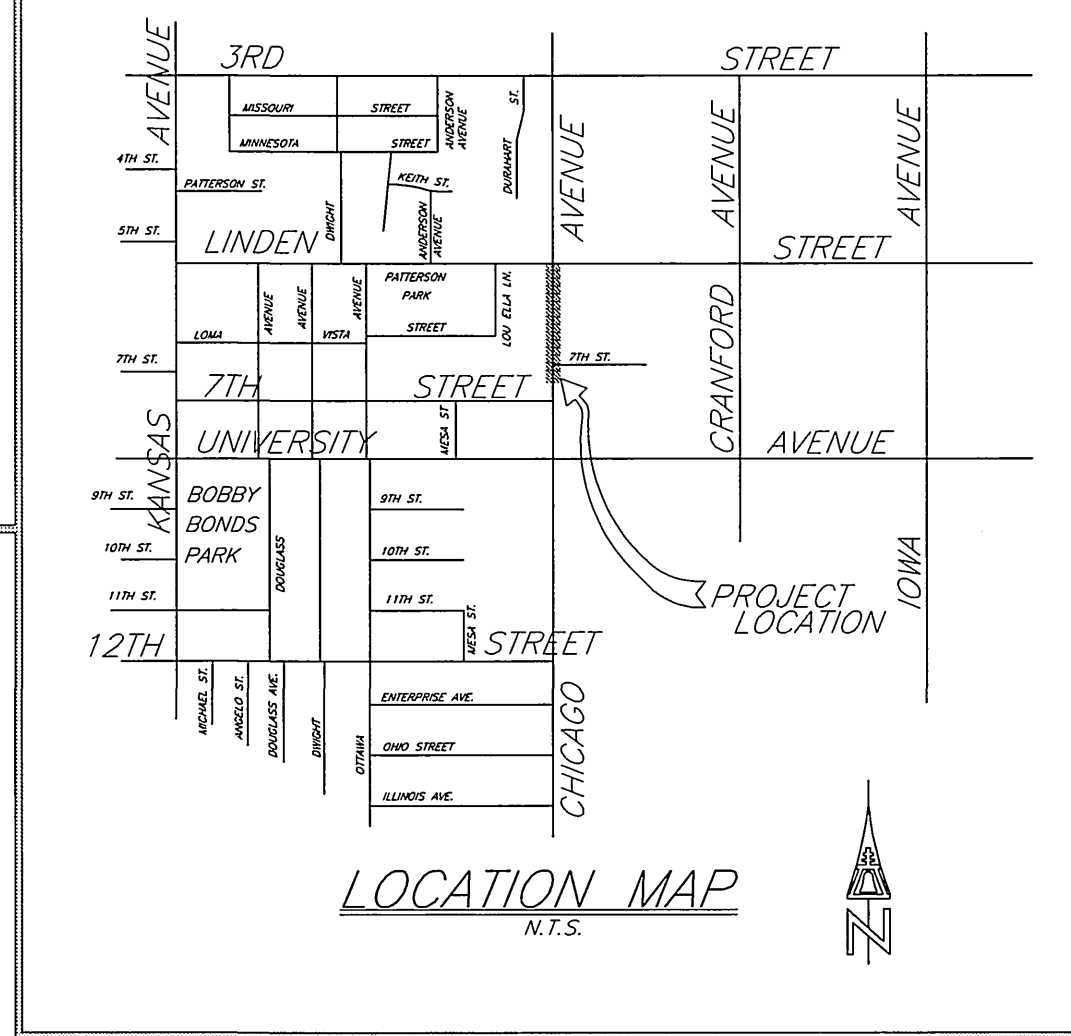
STA. 7+07 TO 8+11

GENERAL CONSTRUCTION NOTES:

- EXISTING UTILITIES SHOWN ON THE PLAN, ARE PLOTTED FROM UTILITY RECORDS. THE CONTRACTOR IS REQUIRED TO TAKE DUE PRECAUTIONARY MEASURES TO LOCATE AND PROTECT ALL UTILITIES WHETHER OR NOT SHOWN ON THIS PLAN.
- PRIME CONTRACTORS BIDDING THIS WORK SHALL HAVE A CLASS "A", "C-8", OR A "C-12" LICENSE.
- ALL ELEVATIONS SHOWN ON THE PLANS SHALL BE STAKED IN THE FIELD.
- CONSTRUCTION SHALL BE IN ACCORDANCE WITH THE CITY OF RIVERSIDE STANDARD DRAWINGS AND STANDARD SPECIFICATIONS FOR PUBLIC WORKS CONSTRUCTION, 1994 EDITION.

CONSTRUCTION LEGEND:

- NUMBERS ABOVE 100 IN A HEXAGON ON THE PLAN REFER TO THE RESPECTIVE STANDARD DRAWING AND SHALL BE CONSTRUCTED ACCORDINGLY, UNLESS MODIFICATIONS ARE NOTED ON THE PLAN. ANY NUMBER SHOWN BELOW THE STANDARD DRAWING NUMBER INDICATES THE SPECIFIC ALTERNATE TO BE CONSTRUCTED.
- S1** CONSTRUCT STRUCTURAL SECTION OF 0.41' AC OVER 0.83' AGGREGATE BASE. BASE MATERIAL SHALL BE CONTINUED UNDER THE GUTTER.
- S2** CONSTRUCT 0.50' THICK AC OVER NATIVE SOIL MATCHUP PAVING. STRAIGHT GRADE FROM BACK OF GUTTER TO LIMIT OF REMOVAL.
- S3** CONSTRUCT 0.33' THICK AC OVER NATIVE SOIL. STRAIGHT GRADE FROM BACK OF GUTTER TO LIMIT OF REMOVAL.
- ADJ** ADJUST TO GRADE.
- PIP** PROTECT IN PLACE.
- 200 T** TYPE 1 CURB SHALL HAVE A 2.5" GUTTER AND 8" CURB FACE. FIELD LOCATE DRIVEWAY POSITION TO MATCH EXISTING. "B" DIMENSION SHALL BE A+7". STD DWG 302.
- 200 C2** DEPRESS CURB HEIGHT TO 0.10' AT DRIVEWAY LOCATIONS AND AS INDICATED ON PLANS. DEPRESSION TRANSITION SHALL BE 3' IN LENGTH.



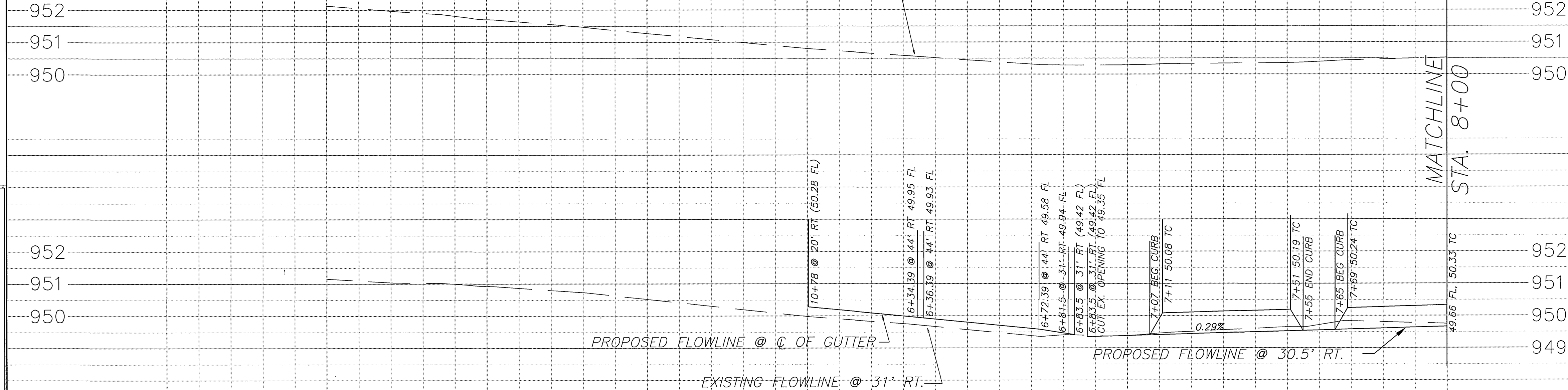
IMPORTANT NOTICE
 Section 4216/4217 of the Government Code requires a Dig Alert Identification Number to be issued before a "Permit to Excavate" will be valid. For your Dig Alert I.D. Number call CALL TOLL FREE TWO WORKING DAYS BEFORE YOU DIG UNDERGROUND SERVICE ALERT 1-800-422-4133

ENGINEER IN RESPONSIBLE CHARGE
 Duane K. Greenwood
 DUANE GREENWOOD
 R.C.E. No. 43965 expires 6/30/97
 DATE 6/12/95

MARK	REVISIONS	APPR	DATE

CITY OF RIVERSIDE, CALIFORNIA
 PUBLIC WORKS DEPARTMENT
 APPROVED BY: [Signature]
 DEPUTY P.W. DIRECTOR
 PRINCIPAL ENGINEER
 CHIEF P.W. INSPECTOR
 TRAFFIC DIVISION
 SURVEYOR
 STREET SERVICES
 DATE 7/13/95

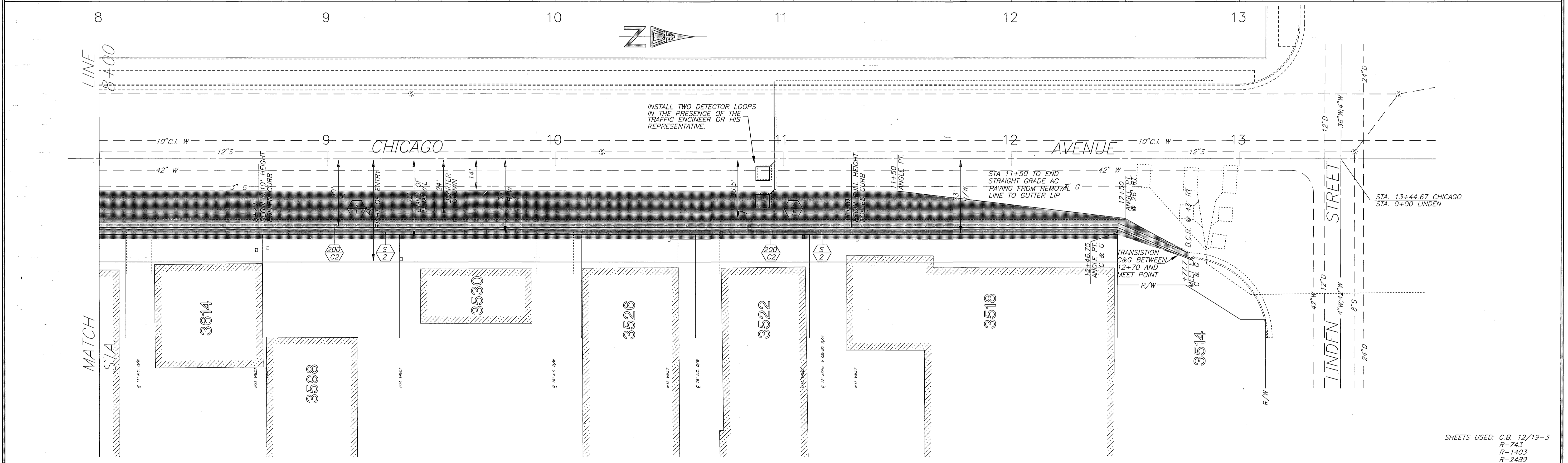
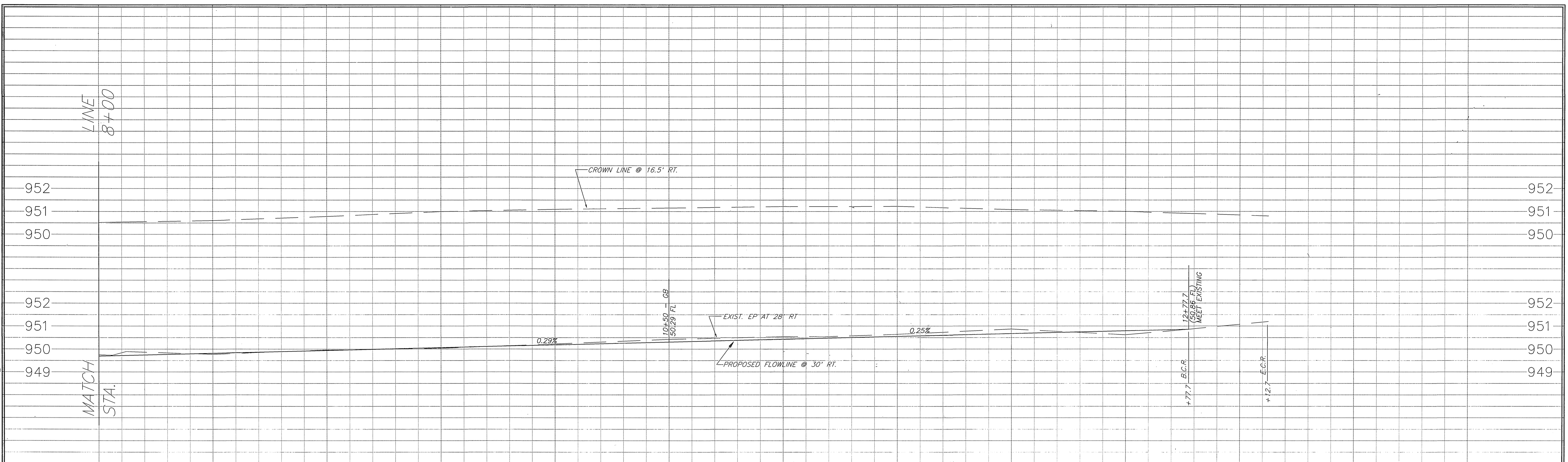
CHICAGO AVENUE FROM 7TH ST. TO LINDEN
 ACCT. NO. 230-541500-440223-30246
 R-3299
 SHEET 1 OF 2
 FILE NO.



SEE SHEET 2
 MATCHLINE
 STA. 8+00

SEE SHEET 2
 MATCHLINE
 STA. 8+00

PLANS USED: C.B. 12/19-3
 R-743
 R-1403
 R-2489
 S-47
 S-290
 S-559
 S-800



SHEETS USED: C.B. 12/19-3
 R-743
 R-1403
 R-2489
 S-47
 S-290
 S-559
 S-800

BENCHMARK
 P.K. NAIL IN SOUTH CURB, UNIVERSITY AVE.
 138± WESTERLY OF & CHICAGO AVENUE
 F.B. P-5/11-20
 ELEVATION 955.465'



ENGINEER IN RESPONSIBLE CHARGE
 Duane K. Greenwood
 DUANE GREENWOOD
 R.C.E. No. 43965 expires 6/30/97
 DATE 6/12/95

MARK	REVISIONS	APPR.	DATE

DESIGNED BY *DM* DRAWN BY *DM* CHECKED BY *DRD*

CITY OF RIVERSIDE, CALIFORNIA
 PUBLIC WORKS DEPARTMENT

APPROVED BY	BY	DATE	APPROVED BY	DATE
DEPUTY P.W. DIRECTOR	<i>DM</i>	7/13/95	PUBLIC WORKS DIRECTOR	<i>Dan</i>
PRINCIPAL ENGINEER	<i>DM</i>	7/13/95		
CHIEF P.W. INSPECTOR	<i>DM</i>	7/13/95		
TRAFFIC DIVISION	<i>DM</i>	7/13/95		
SURVEYOR	<i>DM</i>	7/13/95		
STREET SERVICES	<i>DM</i>	7/13/95		

CHICAGO AVENUE
 FROM
 7TH ST. TO LINDEN

HORIZ. SCALE: 1" = 20' VERT. SCALE: 1" = 2'

ACCT. NO.
 230-541500-440223-30246
 R-3299
 SHEET 2 of 2
 FILE NO.

INDEXED 9-18-95 GHT