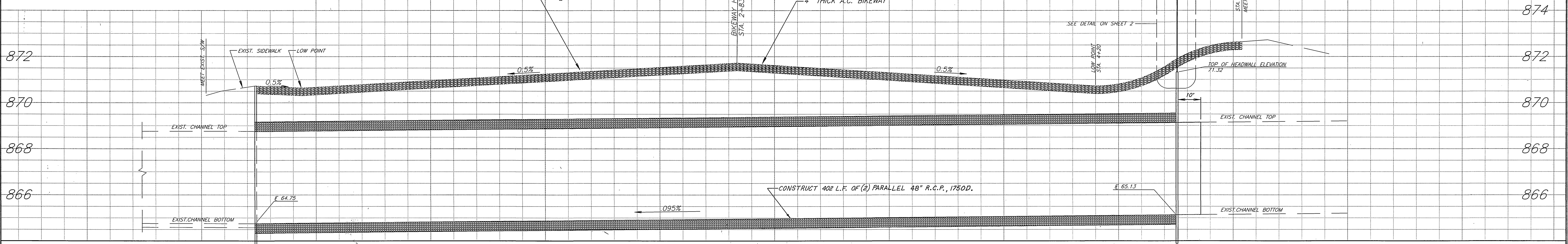


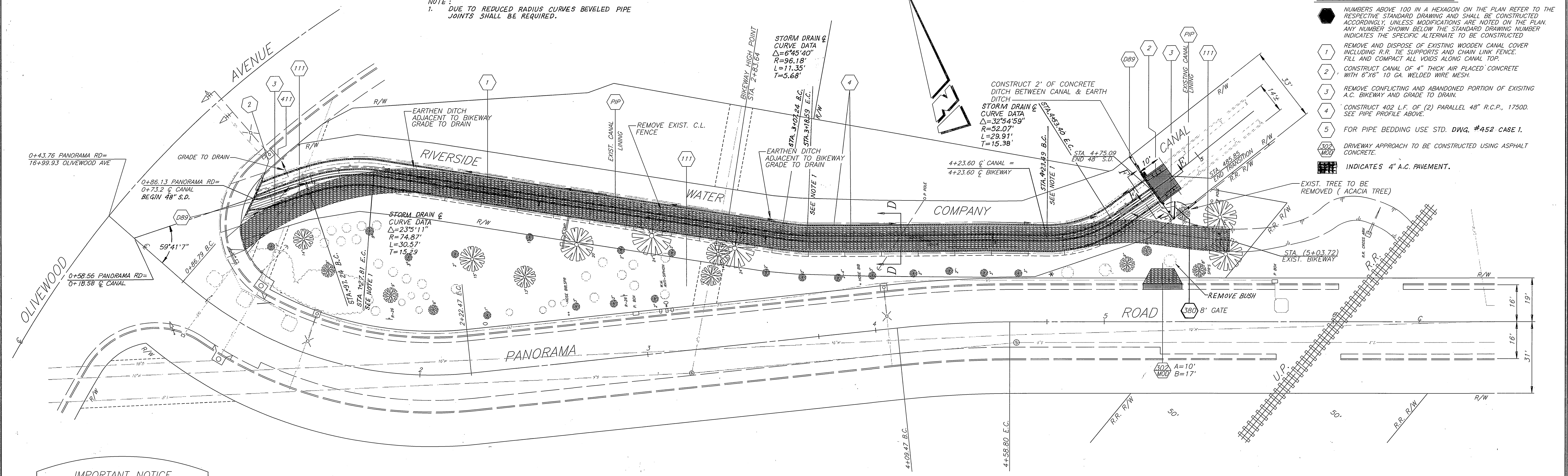
LOCATION MAP  
N.T.S.



NOTE:  
1. DUE TO REDUCED RADIUS CURVES BEVELED PIPE JOINTS SHALL BE REQUIRED.

CONSTRUCTION NOTES

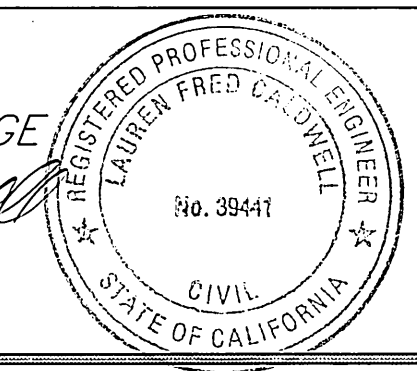
- NUMBERS ABOVE 100 IN A HEXAGON ON THE PLAN REFER TO THE RESPECTIVE STANDARD DRAWING AND SHALL BE CONSTRUCTED ACCORDINGLY. UNLESS MODIFICATIONS ARE NOTED ON THE PLAN, ANY NUMBER SHOWN BELOW THE STANDARD DRAWING NUMBER INDICATES THE SPECIFIC ALTERNATE TO BE CONSTRUCTED
- 1 REMOVE AND DISPOSE OF EXISTING WOODEN CANAL COVER INCLUDING R.R. TIE SUPPORTS AND CHAIN LINK FENCE. FILL AND COMPACT ALL VOIDS ALONG CANAL TOP.
- 2 CONSTRUCT CANAL OF 4" THICK AIR PLACED CONCRETE WITH 6"x6" 10 GA. WELDED WIRE MESH.
- 3 REMOVE CONFLICTING AND ABANDONED PORTION OF EXISTING A.C. BIKEWAY AND GRADE TO DRAIN.
- 4 CONSTRUCT 402 L.F. OF (2) PARALLEL 48" R.C.P., 1750D. SEE PIPE PROFILE ABOVE.
- 5 FOR PIPE BEDDING USE STD. DWG. #452 CASE 1.
- 302 WOOD DRIVEWAY APPROACH TO BE CONSTRUCTED USING ASPHALT CONCRETE.
- INDICATES 4" A.C. PAVEMENT.



**IMPORTANT NOTICE**  
Section 4216/4217 of the Government Code requires a Dig Alert Identification Number to be issued before a "Permit to Excavate" will be valid. For your Dig Alert I.D. Number call Underground Service Alert. TOLL FREE 1-800-422-4133. Two working days before you dig.

**BENCHMARK**  
P.K. NAIL IN W Cb RET.  
AT RAMONA & ELMWOOD  
ELEVATION 868.69'

**ENGINEER IN RESPONSIBLE CHARGE**  
*Lauren Fred Caldwell*  
LAUREN FRED CALDWELL  
R.C.E. No. 39441 expires 9/23/95  
DATE 2/2/95



| MARK | REVISIONS | APPR. | DATE |
|------|-----------|-------|------|
|      |           |       |      |
|      |           |       |      |

CITY OF RIVERSIDE, CALIFORNIA  
PUBLIC WORKS DEPARTMENT  
APPROVED BY: [Signature]  
DATE: 2/21/95

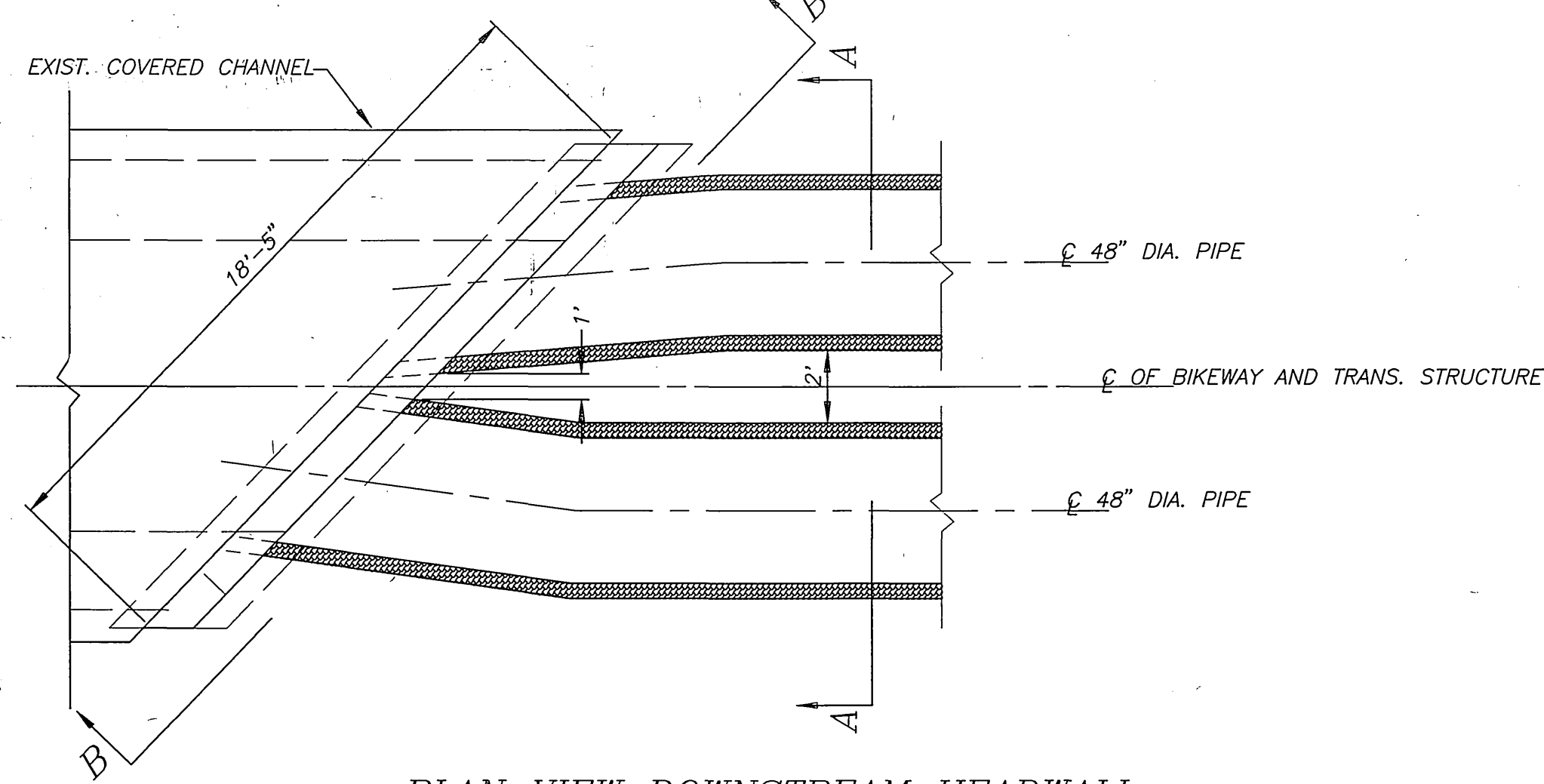
**PANORAMA ROAD BIKEWAY**  
PANORAMA @ OLIVEWOOD  
HORIZ. SCALE: 1" = 20'  
VERT. SCALE: 1" = 2'

ACCT. NO. 430-54100-440301-30341  
**R-3366**  
SHEET 1 OF 2  
PC-3788-5

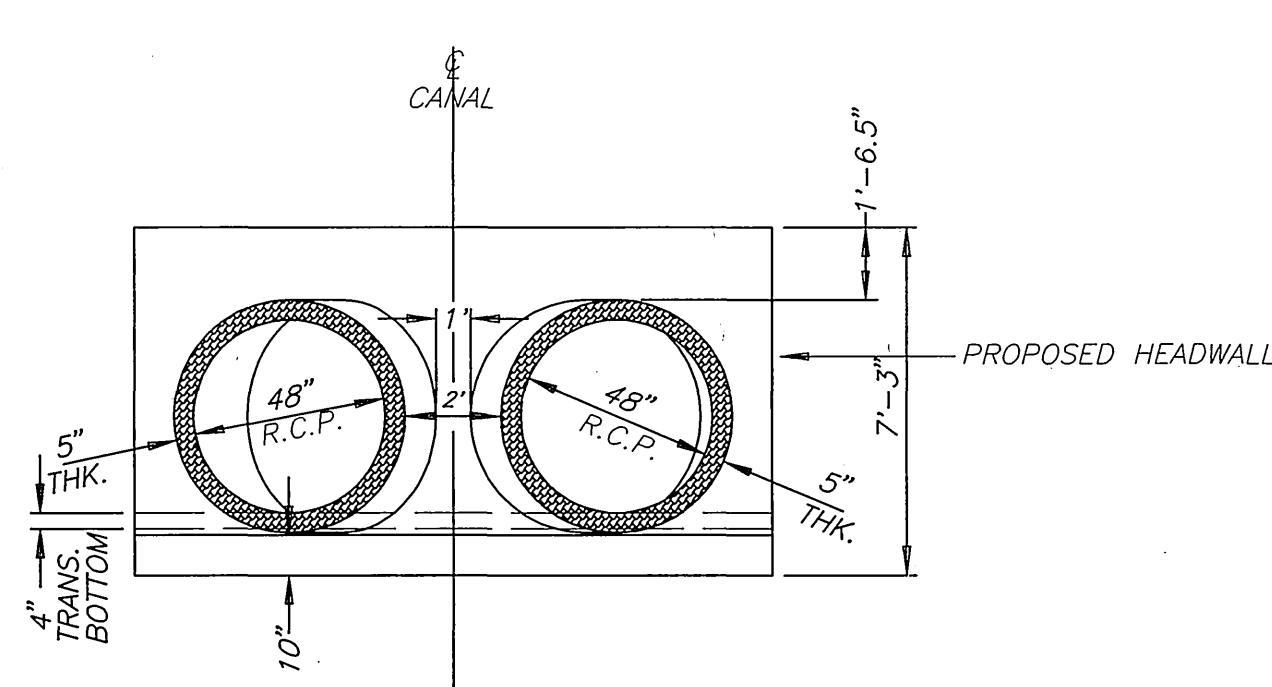
INDEXED 6-21-95



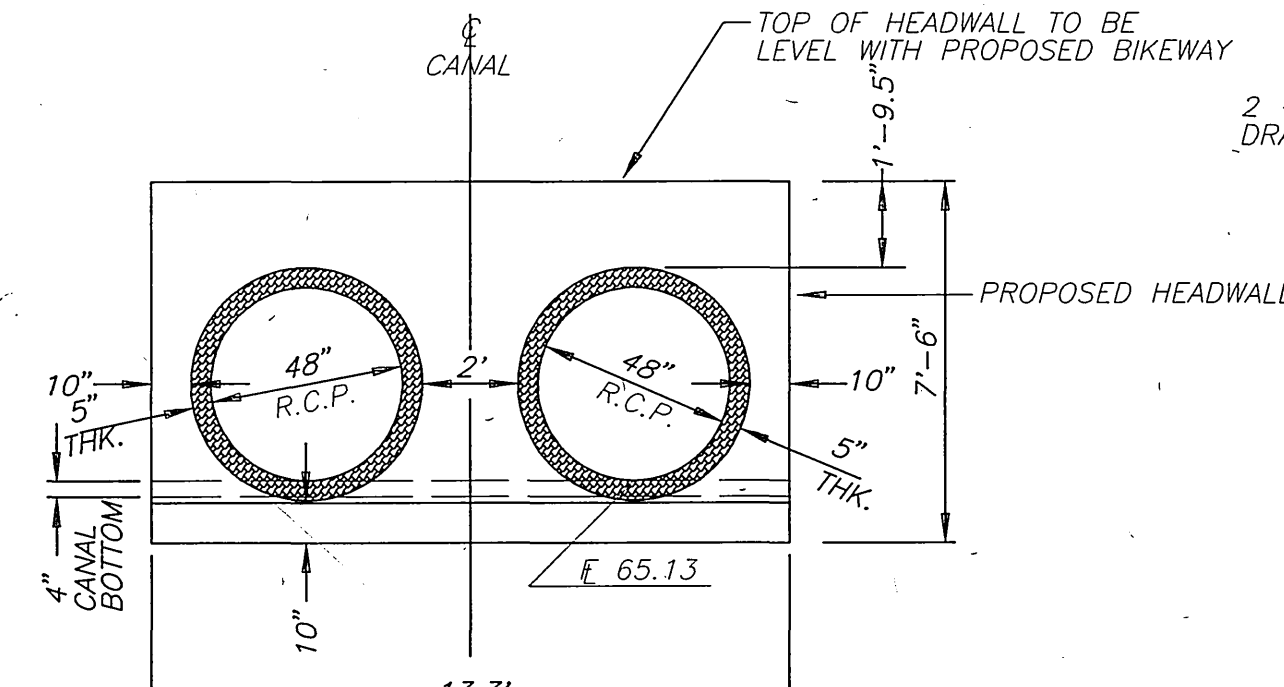
NOTE: FLARE EXIST. CHANNEL SIDES TO MEET THE OPENING OF THE PROPOSED 48" R.C.P.



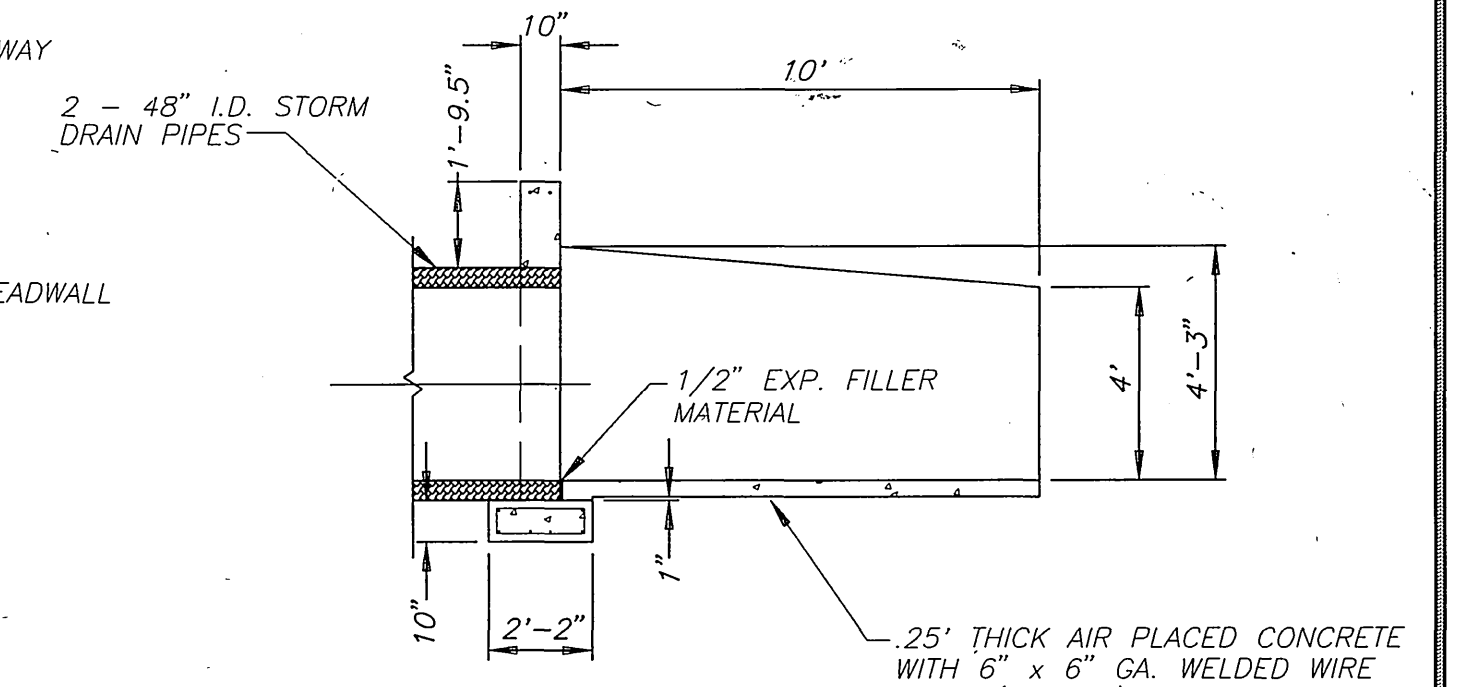
PLAN VIEW DOWNSTREAM HEADWALL



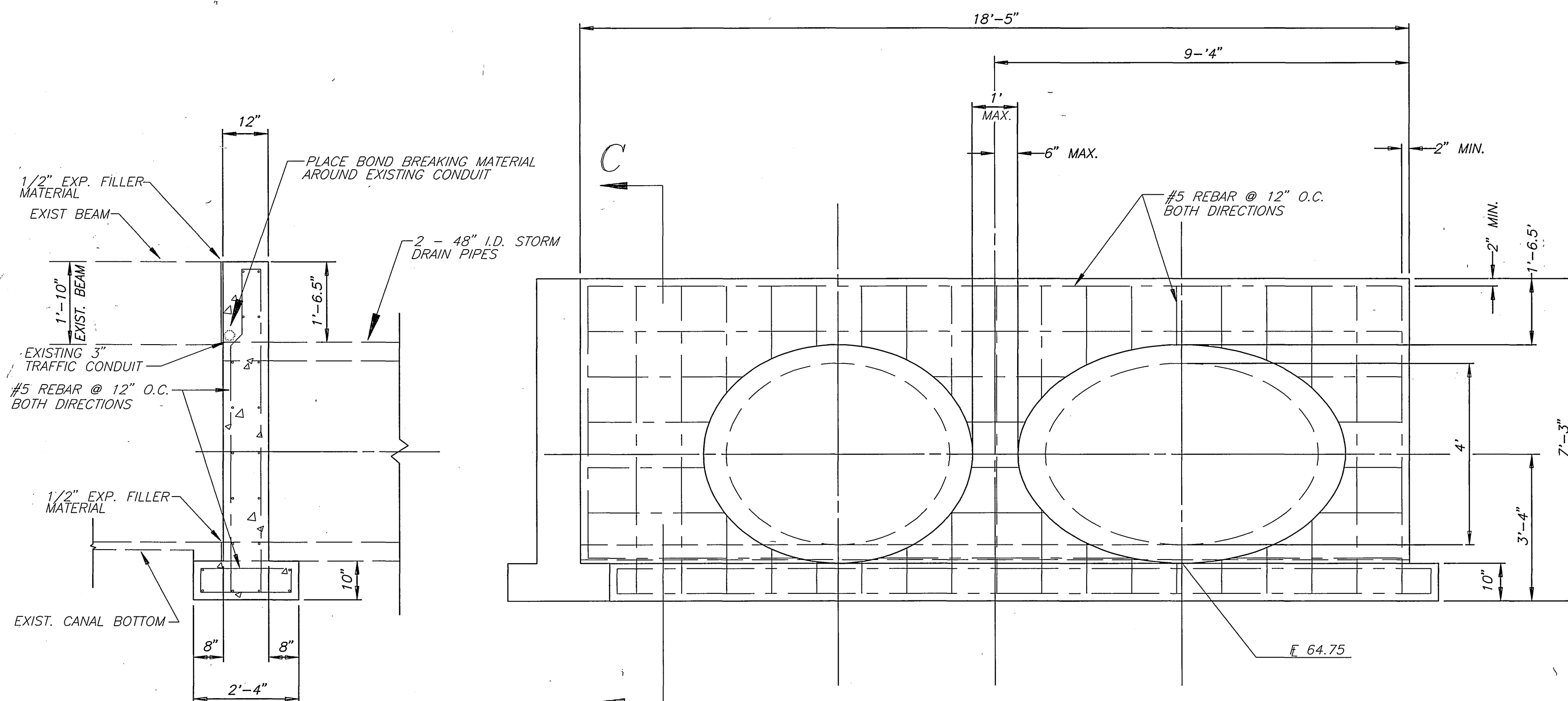
DOWNSTREAM HEADWALL SECTION A-A  
N.T.S.



UPSTREAM HEADWALL SECTION F-F  
SCALE: 1"=4'

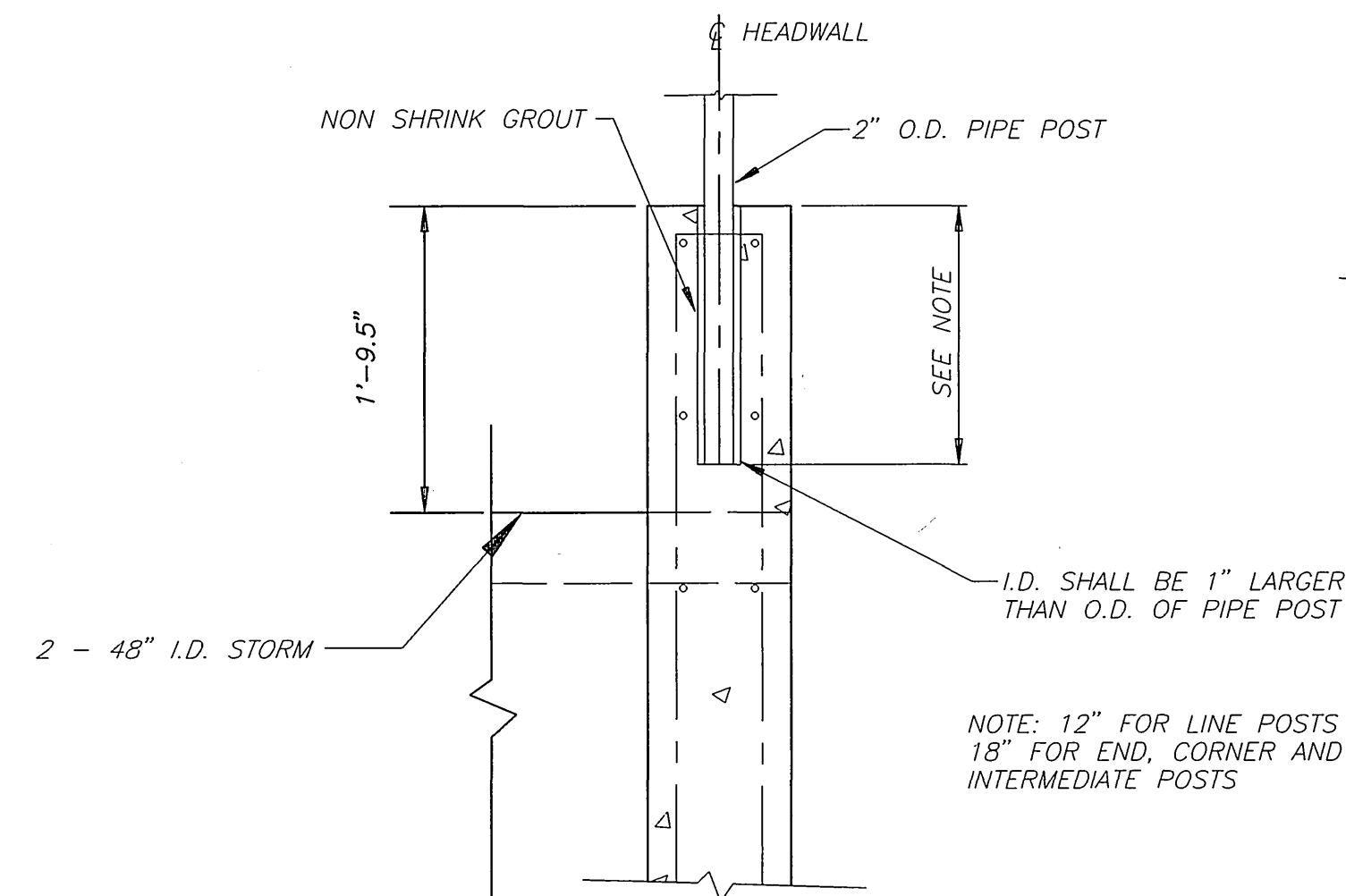


UPSTREAM HEADWALL & WINGWALL SECTION E-E  
SCALE: 1"=4'

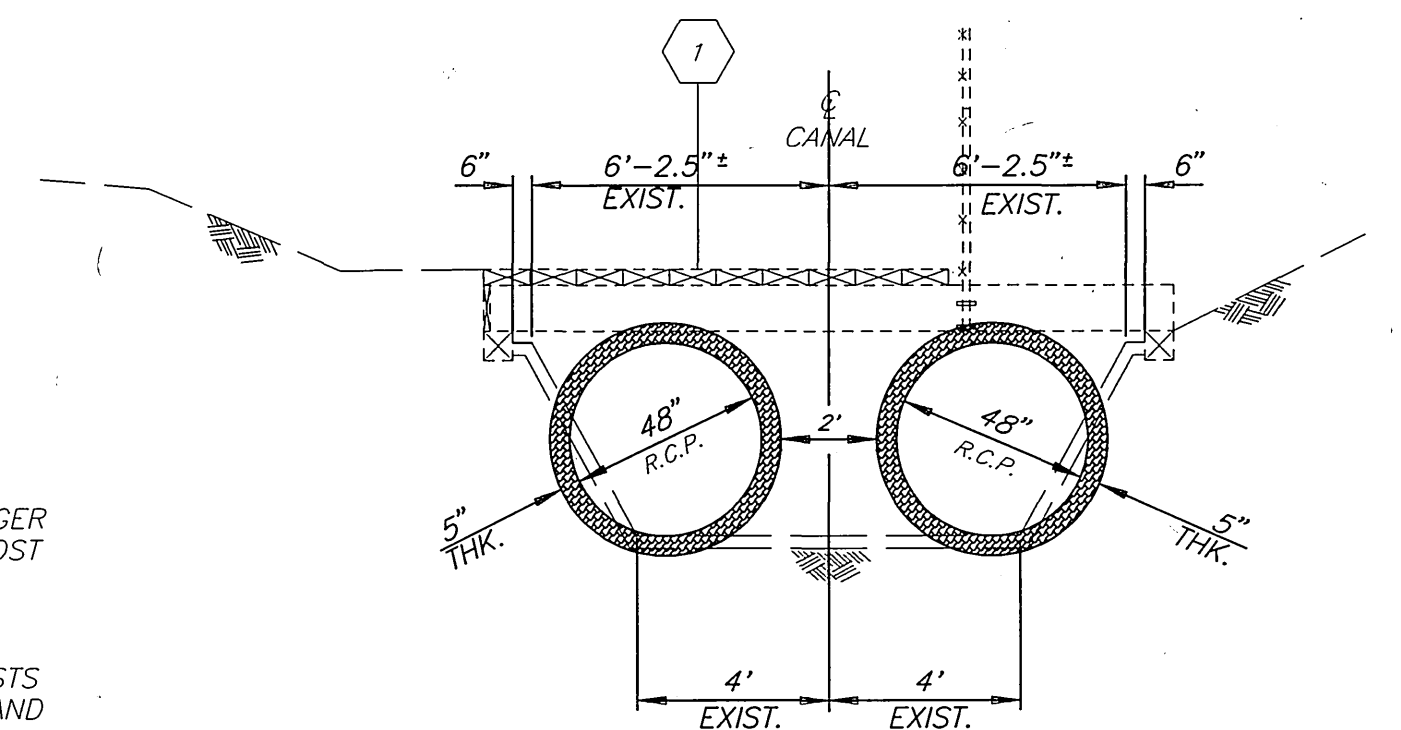


FRONT ELEVATION DOWNSTREAM HEADWALL B-B  
SCALE: 1"=10'

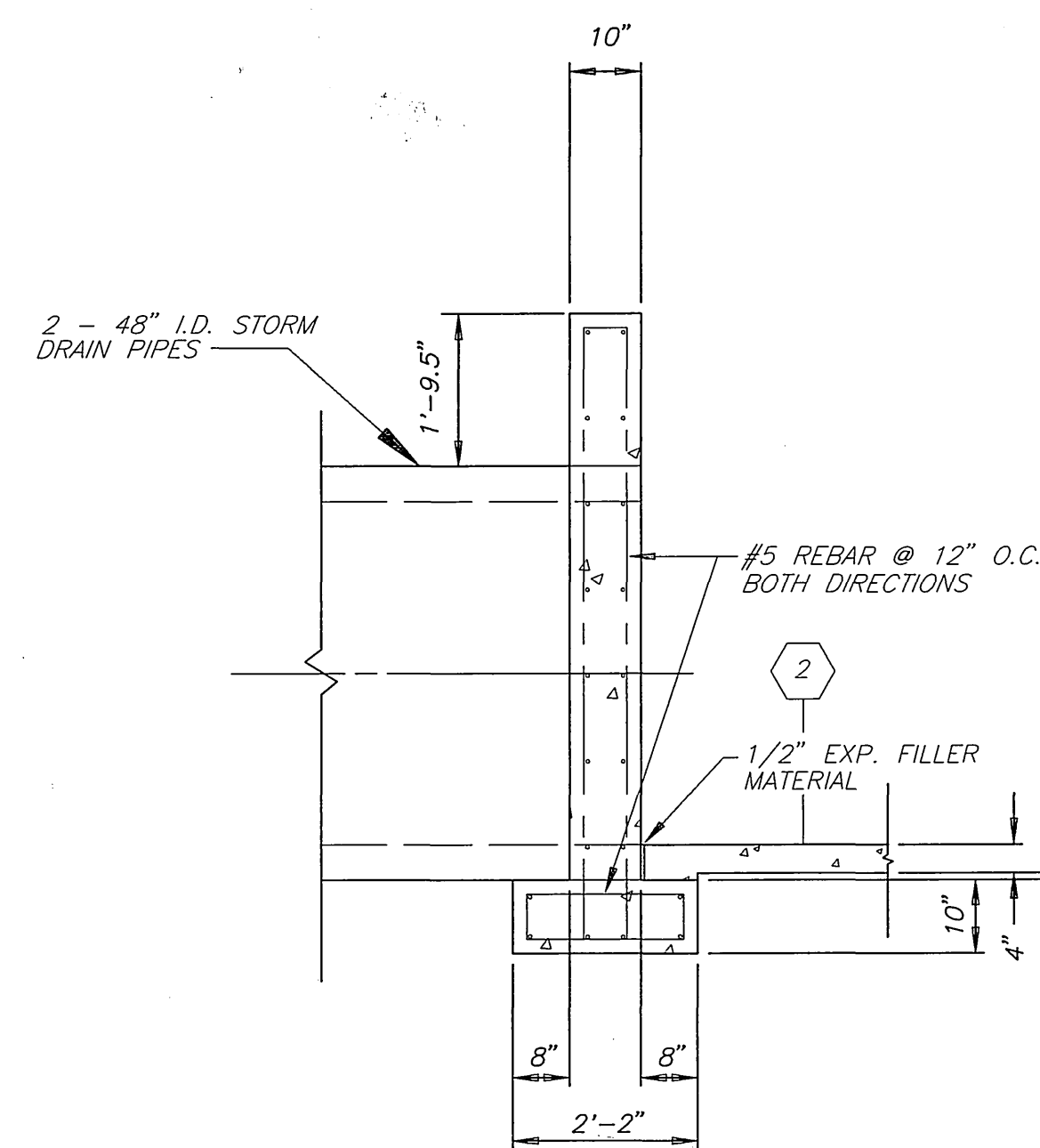
DOWNSTREAM HEADWALL REINFORCEMENT SECTION C-C  
SCALE: 1"=10'



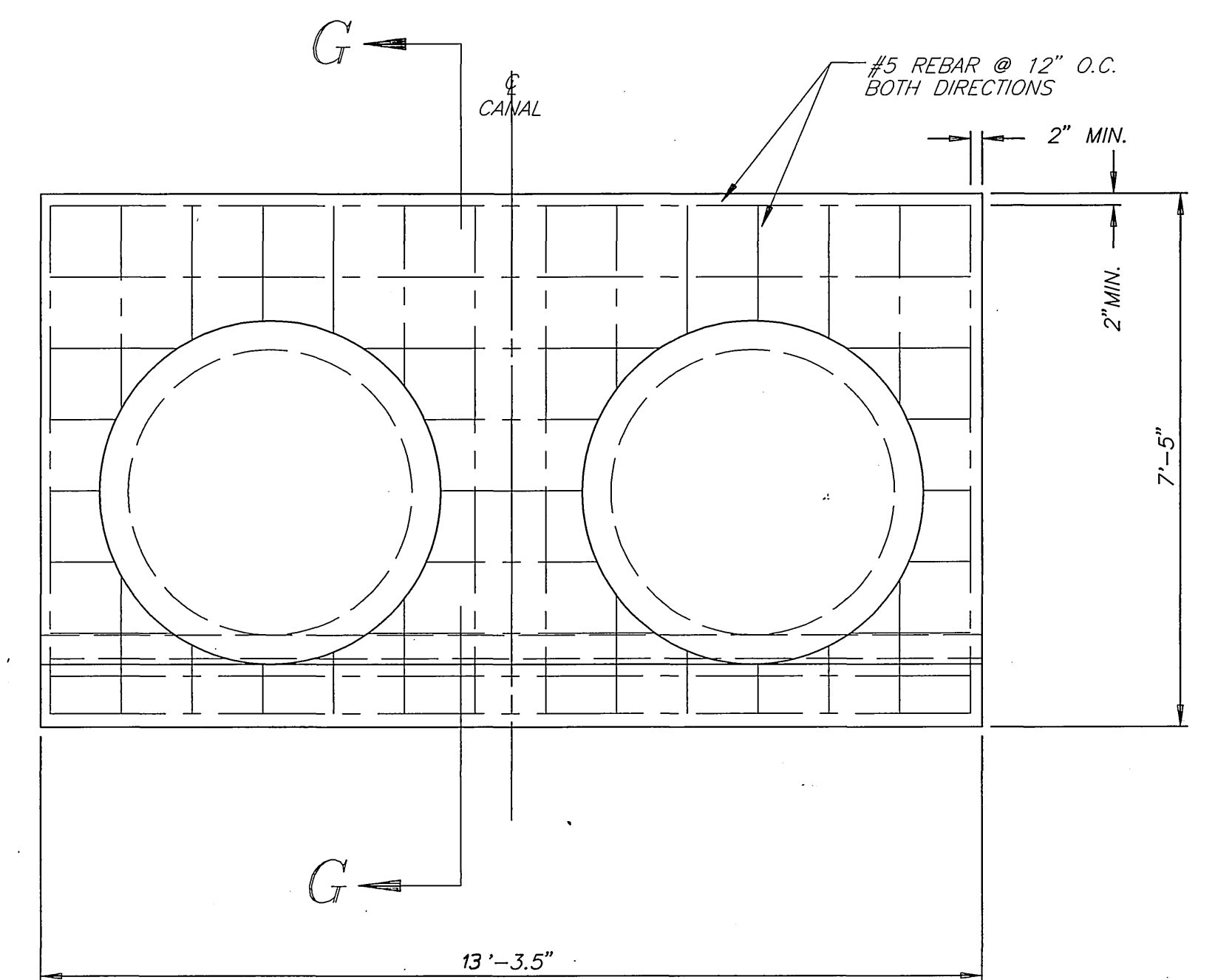
POST EMBEDMENT DETAIL IN CONCRETE HEADWALL  
N.T.S.



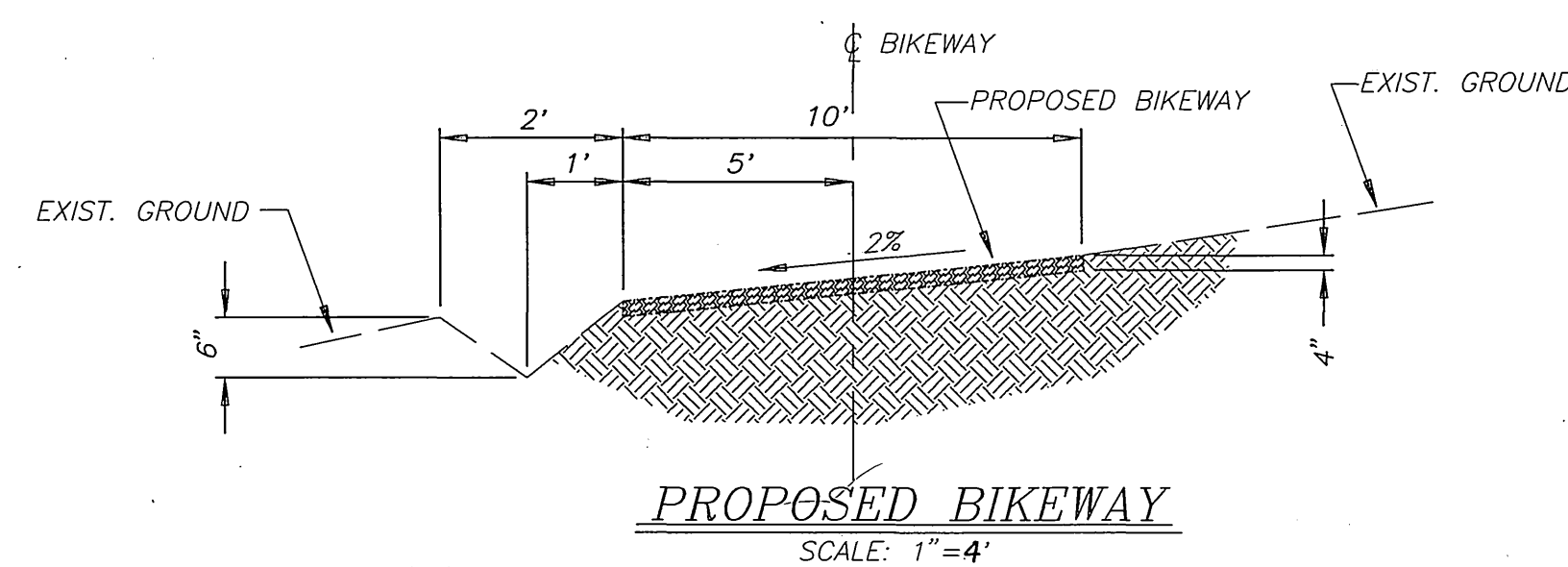
SECTION D-D  
SCALE: 1"=4'



UPSTREAM HEADWALL REINFORCEMENT SECTION G-G  
SCALE: 1"=10'



FRONT ELEVATION UPSTREAM HEADWALL  
SCALE: 1"=10'



PROPOSED BIKEWAY  
SCALE: 1"=4'

CONSTRUCTION NOTES

- 1 REMOVE AND DISPOSE OF EXISTING WOODEN CANAL COVER INCLUDING R.R. TIE SUPPORTS AND CHAIN LINK FENCE. FILL AND COMPACT ALL VOIDS ALONG CANAL TOP.
- 2 CONSTRUCT CANAL OF .25' THICK AIR PLACED CONCRETE WITH 6"x6" 10 GA. WELDED WIRE MESH.
- 5 FOR PIPE BEDDING USE STD. DR. #452 CASE 1.

ENGINEER IN RESPONSIBLE CHARGE  
LAUREN FRED CALDWELL  
R.C.E. No. 39441 expires 9/23/95  
DATE 2/2/95

CITY OF RIVERSIDE, CALIFORNIA  
PUBLIC WORKS DEPARTMENT

|                      |    |        |                      |
|----------------------|----|--------|----------------------|
| APPROVED BY          | BY | DATE   | APPROVED BY          |
| PRINCIPAL ENGINEER   | BY | 2/2/95 | LAUREN FRED CALDWELL |
| CHIEF P.W. INSPECTOR | BY | 2/2/95 | LAUREN FRED CALDWELL |
| STREET SERVICES      | BY | 2/2/95 | LAUREN FRED CALDWELL |
| SURVEYOR             | BY | 2/2/95 | LAUREN FRED CALDWELL |
| TRAFFIC DIVISION     | BY | 2/2/95 | LAUREN FRED CALDWELL |
| PARKS DEPARTMENT     | BY | 2/2/95 | LAUREN FRED CALDWELL |
| PUBLIC UTILITIES     | BY | 2/2/95 | LAUREN FRED CALDWELL |

PANORAMA ROAD BIKEWAY  
PANORAMA @ OLIVEWOOD

ACCT. NO. 430-541500-440301-30341  
R-3366  
SHEET 2 OF 2  
PC-3788-S

HORIZ. SCALE: 1"=20' VERT. SCALE: 1"=2'

INDEXED 6-21-95 44