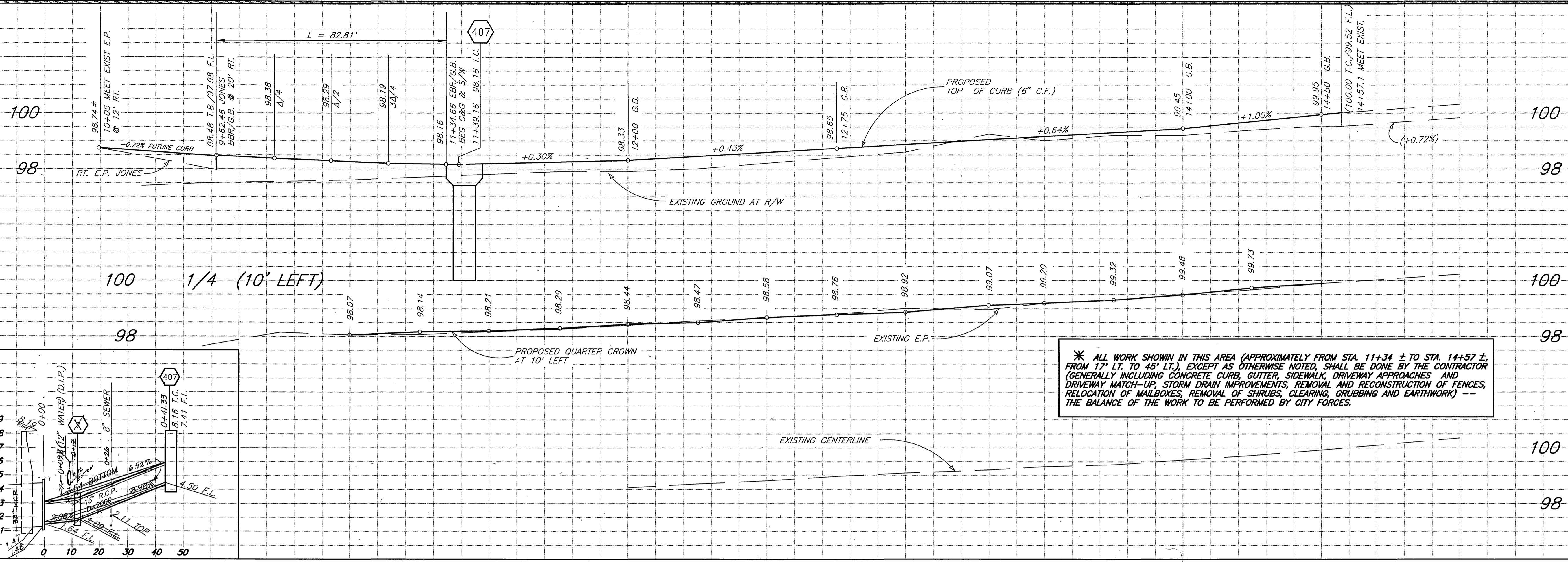
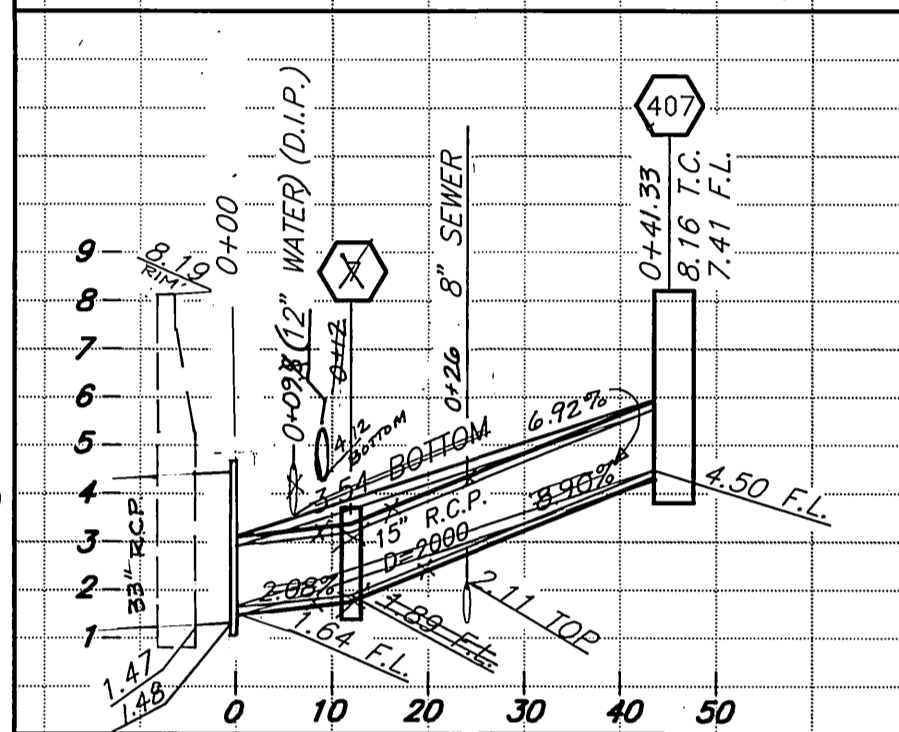


VICINITY MAP
NOT TO SCALE

CONSTRUCTION NOTES

NUMBERS ABOVE 100 IN A HEXAGON ON THE PLAN REFER TO THE RESPECTIVE STANDARD DRAWING AND SHALL BE CONSTRUCTED ACCORDINGLY, UNLESS MODIFICATIONS ARE NOTED ON THE PLAN. ANY NUMBER SHOWN BELOW THE STANDARD DRAWING NUMBER INDICATES THE SPECIFIC ALTERNATE TO BE CONSTRUCTED.

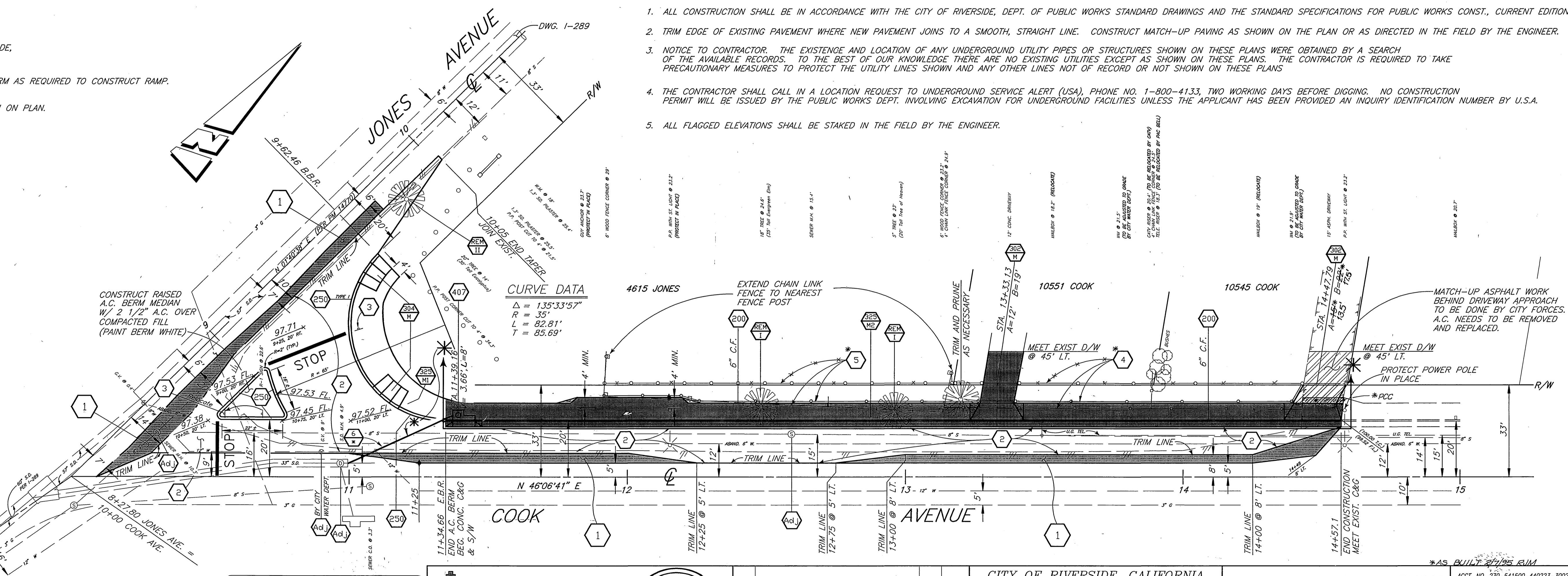
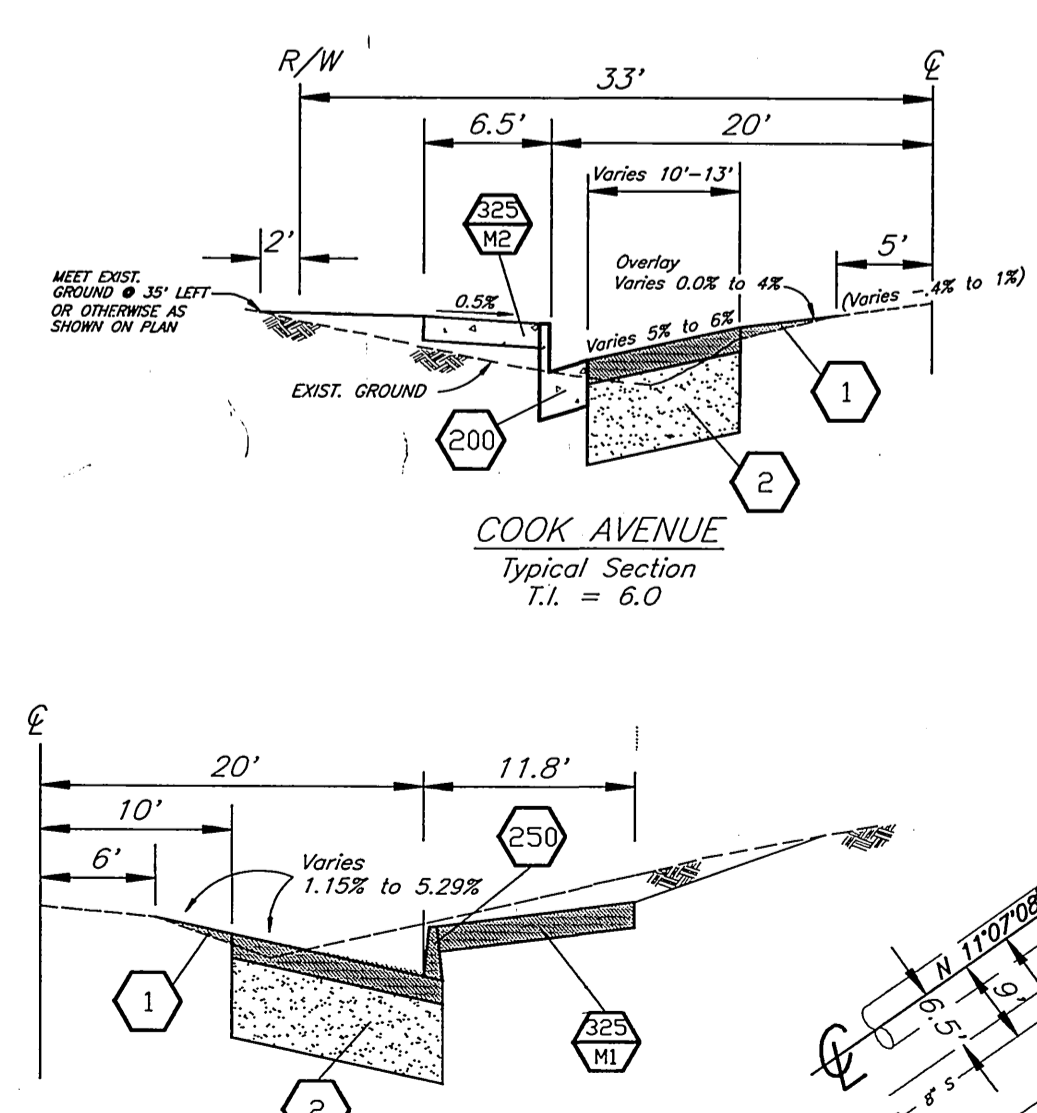
- 1 CONSTRUCT VARIABLE THICKNESS A.C. OVERLAY.
- 2 CONSTRUCT 2 1/2" A.C. OVER 12" CRUSHED AGGREGATE BASE, (PER S.R.1095, R=19, (PLAN R-2448))
- 3 INSTALL R-1 STOP SIGN, PER STD. DWG. 666
- 4 RELOCATE EXISTING CHAIN LINK FENCE BEHIND R/W
- 5 INSTALL 6" CHAIN LINK FENCE BEHIND R/W PER STD. 380, THEN REMOVE EXIST. WOODEN FENCE AND DISPOSE OF PROPERLY.
- 6 INSTALL 4133 L.F. R.C.P., D-2000. REMOVE EXIST. BRICK & MORTAR BULKHEAD AND REPLACE WITH CONCRETE BULKHEAD.
- 7 CONSTRUCT CONCRETE COLLAR PER STD. DWG. 424.
- REM REMOVE EXISTING TREE. TO BE DONE BY THE CITY OF RIVERSIDE, PARK AND RECREATION DEPARTMENT, STREET TREE DIVISION.
- 304 M CONSTRUCT WHEELCHAIR RAMP IN ASPHALT. DEPRESS NEW BERM AS REQUIRED TO CONSTRUCT RAMP.
- 302 M CONSTRUCT P.C.C. DRIVEWAY APPROACH, DIMENSIONS AS SHOWN ON PLAN.
- 325 M1 CONSTRUCT 3" A.C. SIDEWALK
- 325 M2 CONSTRUCT 6" P.C.C. CURB SIDEWALK SIDEWALK GRADE SHALL BE AT 0.5%
- 200 CONSTRUCT 6" P.C.C. CURB AND GUTTER
- 250 CONSTRUCT A.C. BERM, TYPE 1
- 407 CONSTRUCT CATCH BASIN PER STD. 407. V = 3.66', L = 8'.



* ALL WORK SHOWN IN THIS AREA (APPROXIMATELY FROM STA. 11+34 ± TO STA. 14+57 ±, FROM 17' LT. TO 45' LT.), EXCEPT AS OTHERWISE NOTED, SHALL BE DONE BY THE CONTRACTOR (GENERALLY INCLUDING CONCRETE CURB, GUTTER, SIDEWALK, DRIVEWAY APPROACHES AND DRIVEWAY MATCH-UP, STORM DRAIN IMPROVEMENTS, REMOVAL AND RECONSTRUCTION OF FENCES, RELOCATION OF MAILBOXES, REMOVAL OF SHRUBS, CLEARING, GRUBBING AND EARTHWORK) --- THE BALANCE OF THE WORK TO BE PERFORMED BY CITY FORCES.

GENERAL NOTES

- 1. ALL CONSTRUCTION SHALL BE IN ACCORDANCE WITH THE CITY OF RIVERSIDE, DEPT. OF PUBLIC WORKS STANDARD DRAWINGS AND THE STANDARD SPECIFICATIONS FOR PUBLIC WORKS CONST., CURRENT EDITION.
- 2. TRIM EDGE OF EXISTING PAVEMENT WHERE NEW PAVEMENT JOINS TO A SMOOTH, STRAIGHT LINE. CONSTRUCT MATCH-UP PAVING AS SHOWN ON THE PLAN OR AS DIRECTED IN THE FIELD BY THE ENGINEER.
- 3. NOTICE TO CONTRACTOR. THE EXISTENCE AND LOCATION OF ANY UNDERGROUND UTILITY PIPES OR STRUCTURES SHOWN ON THESE PLANS WERE OBTAINED BY A SEARCH OF THE AVAILABLE RECORDS. TO THE BEST OF OUR KNOWLEDGE THERE ARE NO EXISTING UTILITIES EXCEPT AS SHOWN ON THESE PLANS. THE CONTRACTOR IS REQUIRED TO TAKE PRECAUTIONARY MEASURES TO PROTECT THE UTILITY LINES SHOWN AND ANY OTHER LINES NOT OF RECORD OR NOT SHOWN ON THESE PLANS.
- 4. THE CONTRACTOR SHALL CALL IN A LOCATION REQUEST TO UNDERGROUND SERVICE ALERT (USA), PHONE NO. 1-800-4133, TWO WORKING DAYS BEFORE DIGGING. NO CONSTRUCTION PERMIT WILL BE ISSUED BY THE PUBLIC WORKS DEPT. INVOLVING EXCAVATION FOR UNDERGROUND FACILITIES UNLESS THE APPLICANT HAS BEEN PROVIDED AN INQUIRY IDENTIFICATION NUMBER BY U.S.A.
- 5. ALL FLAGGED ELEVATIONS SHALL BE STAKED IN THE FIELD BY THE ENGINEER.



BENCH MARK:
NAIL & TIN IN JOINT ON CURB @ APPROXIMATE PROLONGATION OF LOT LINE BETWEEN 10537 & 10531 COOK AVE.
ELEV.: 100.47 (Assumed)

IMPORTANT NOTICE
Section 4216/4217 of the Government Code requires a Dig Alert identification Number to be issued before a "Permit to Excavate" will be valid. For your Dig Alert I.D. Number, call CALL TOLL FREE 2 WORKING DAYS BEFORE YOU DIG UNDERGROUND SERVICE ALERT 1-800-422-4133

ENGINEER IN RESPONSIBLE CHARGE
MICHAEL KATUSIAN
R.C.E. No. 36996 expires 6/30/96
DATE 11/14/94



CITY OF RIVERSIDE, CALIFORNIA
PUBLIC WORKS DEPARTMENT
APPROVED BY: [Signature]
DEPUTY P.W. DIRECTOR
CHIEF P.W. INSPECTOR
STREET SERVICES
SURVEYOR
TRAFFIC DIVISION
DATE 11/14/94

COOK AVENUE WIDENING NORTHERLY SIDE
JONES AVE. TO 450' NE'LY
R-3382
SHEET 1 OF 1
HORIZ. SCALE: 1" = 20' VERT. SCALE: 1" = 2'
FILE NO. P.C. 3759-S