

**GENERAL CONSTRUCTION NOTES:**

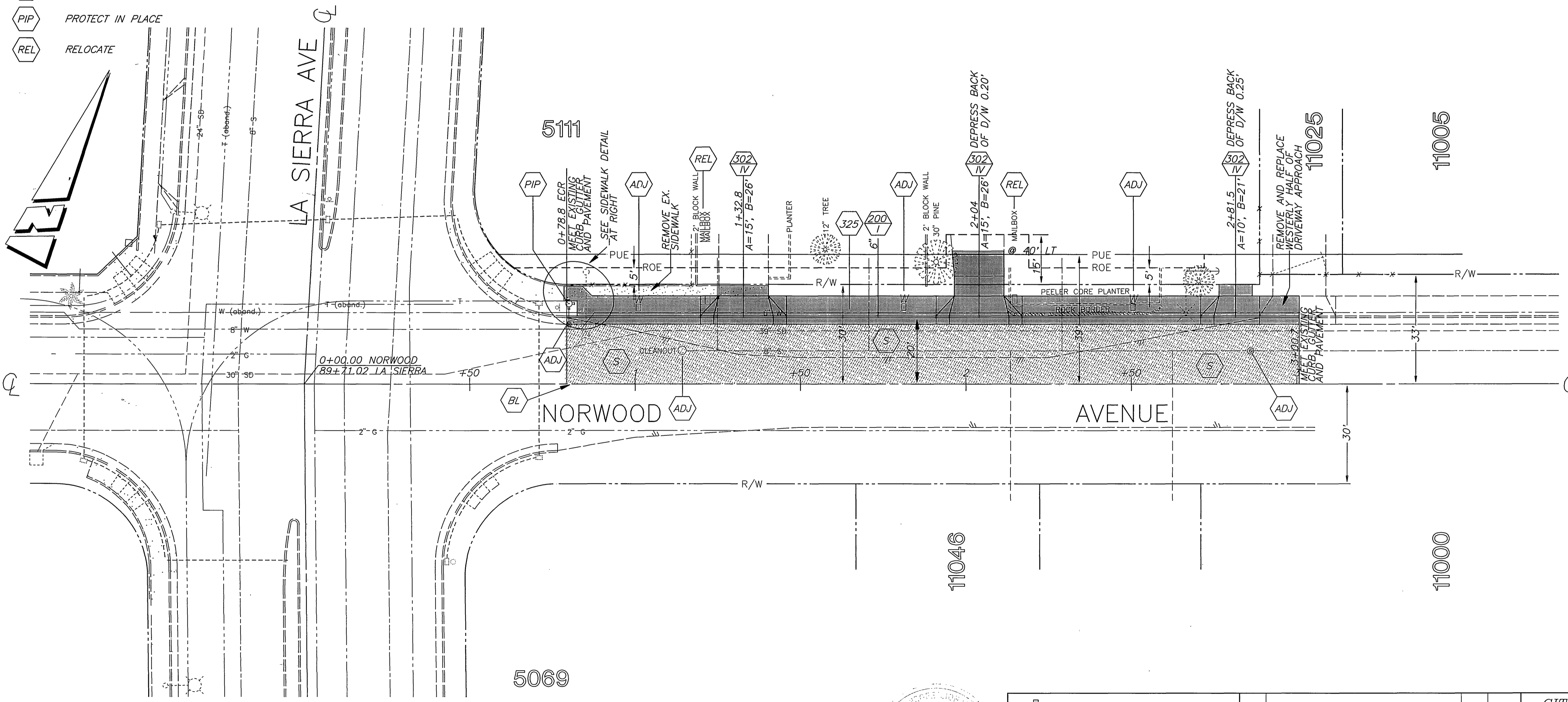
- 1 EXISTING UTILITIES SHOWN ON THE PLAN ARE PLOTTED FROM UTILITY RECORDS. THE CONTRACTOR IS REQUIRED TO TAKE DUE PRECAUTIONARY MEASURES TO LOCATE AND PROTECT ALL UTILITIES WHETHER OR NOT SHOWN ON THIS PLAN.
- 2 PRIME CONTRACTORS, BIDDING THIS WORK SHALL HAVE A CLASS "A" OR A CLASS "C-10" LICENSE.
- 3 ALL ELEVATIONS SHOWN ON THE PLANS SHALL BE STAKED IN THE FIELD.
- 4 CONSTRUCTION SHALL BE IN ACCORDANCE WITH THE CITY OF RIVERSIDE STANDARD DRAWINGS AND STANDARD SPECIFICATIONS FOR PUBLIC WORKS CONSTRUCTION, 1994 EDITION, INCLUDING 1995 SUPPLEMENT.
- 5 CONFLICTING UTILITIES IN THE CONSTRUCTION AREA SHALL BE RELOCATED OR ABANDONED.
- 6 SEE PLAN X-455 FOR SIGNAL SYSTEM INSTALLATION, SIGN DISPOSITION, STRIPING, AND ADDITIONAL WORK.

**SPECIFIC CONSTRUCTION NOTES:**

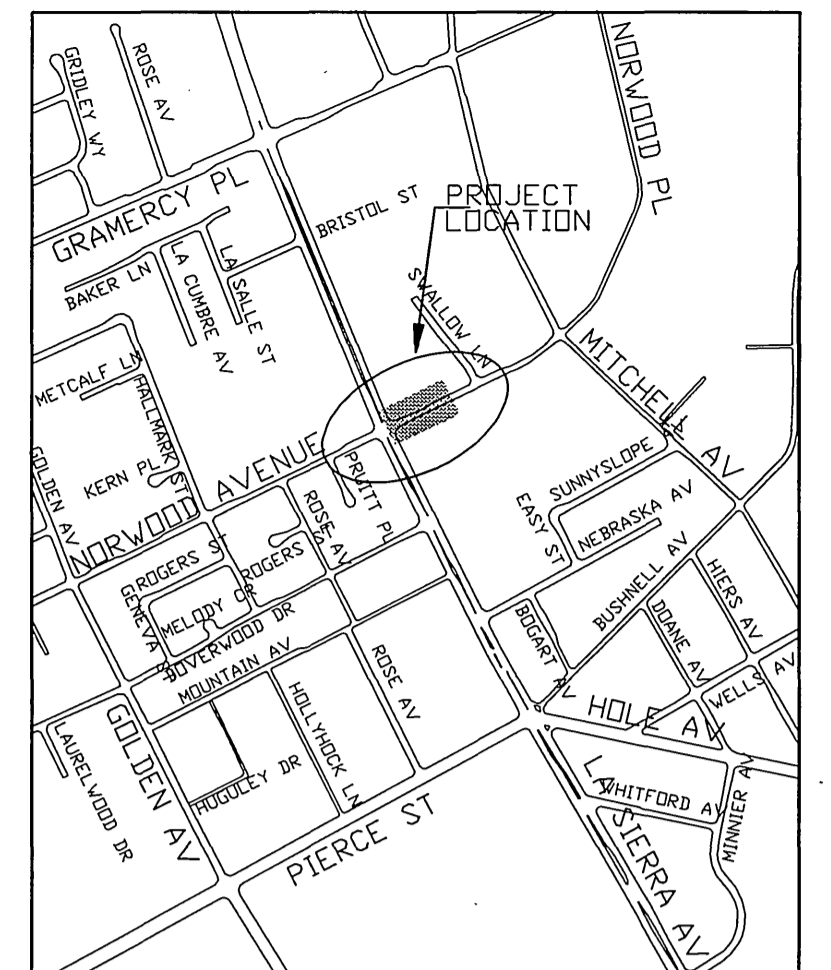
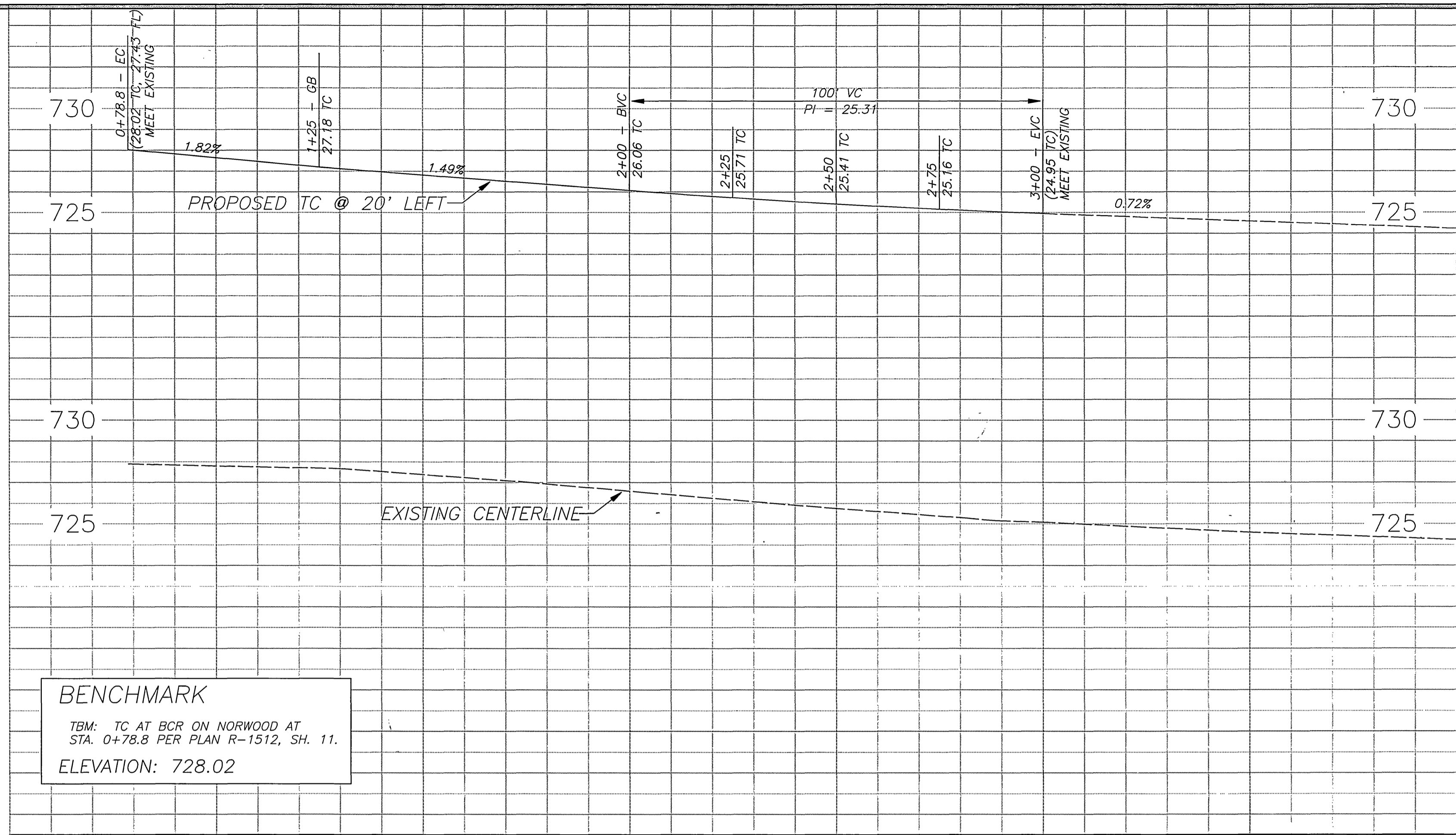
- 1 CURB FACE SHALL BE 6" , STD. 200, TYPE I EXCEPT WHERE SHOWN.
- 2 RELOCATE MAILBOXES AS DESCRIBED IN SPECIAL PROVISIONS.
- 3 CITY FORCES SHALL PERFORM PERMANENT PAVEMENT DELINEATION DELINEATION AND CURB PAINTING.
- 4 RELOCATION OF WATER METER VAULTS TO BE PERFORMED BY CITY FORCES.
- 5 SEWER LATERAL LOCATIONS ARE NOT KNOWN. LOCATIONS SHOWN ARE DIAGRAMMATIC.

**CONSTRUCTION LEGEND:**

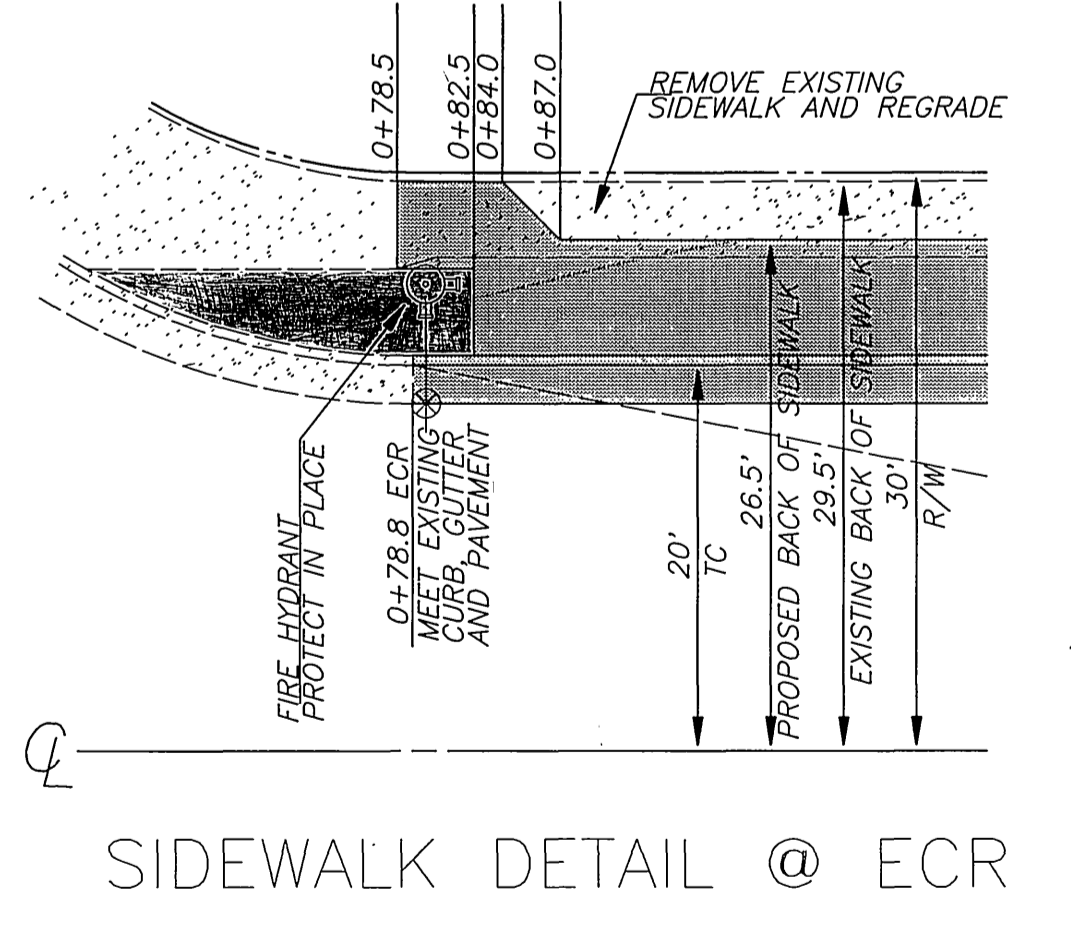
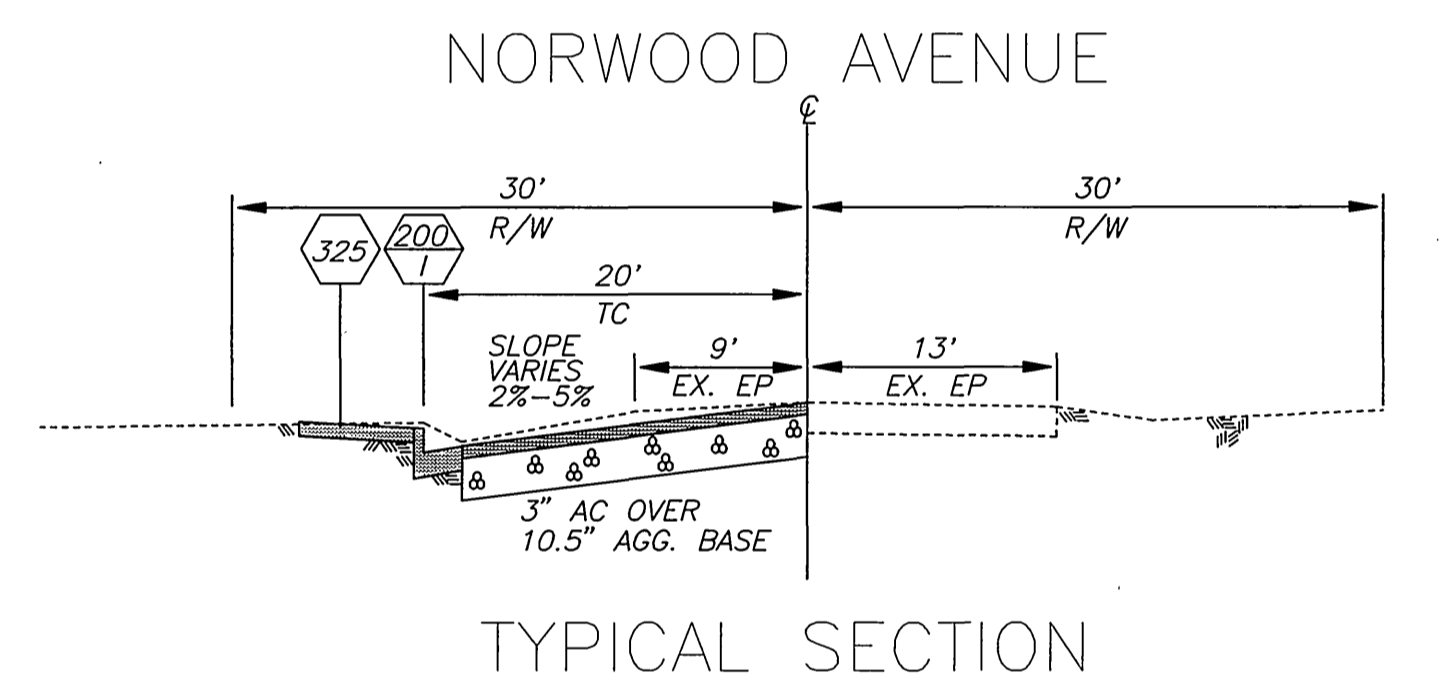
- NUMBERS ABOVE 100 IN A HEXAGON ON THE PLAN REFER TO THE RESPECTIVE STANDARD DRAWING AND SHALL BE CONSTRUCTED ACCORDINGLY, UNLESS MODIFICATIONS ARE NOTED ON THE PLAN. ANY NUMBER SHOWN BELOW THE STANDARD DRAWING NUMBER INDICATES THE SPECIFIC ALTERNATE TO BE CONSTRUCTED.
- CONSTRUCT STRUCTURAL SECTION OF 3" AC OVER 10.5" BASE, R=20, TI=6.
- INSTALL BLUE TWO WAY REFLECTIVE MARKER.
- ADJUST TO GRADE
- PROTECT IN PLACE
- RELOCATE



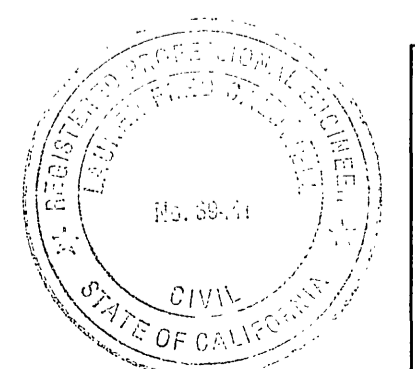
**BENCHMARK**  
 TBM: TC AT BCR ON NORWOOD AT STA. 0+78.8 PER PLAN R-1512, SH. 11.  
 ELEVATION: 728.02



**PROJECT LOCATION PLAN**  
 SCALE: 1"=1000'



48 HOURS BEFORE YOU DIG CALL  
 UNDERGROUND SERVICE ALERT  
 1-800-227-2600



ENGINEER IN RESPONSIBLE CHARGE  
 LAUREN F. CALDWELL  
 R.C.E. No. 39441 expires 12/31/97  
 DATE 12/2/96

MARK	REVISIONS	APPR.	DATE

CITY OF RIVERSIDE, CALIFORNIA  
 PUBLIC WORKS DEPARTMENT  
 APPROVED BY: [Signature]  
 DEPUTY P.W. DIRECTOR  
 PRINCIPAL ENGINEER  
 SURVEYOR  
 DATE 12/5/96

NORWOOD PLACE FROM LA SIERRA AVENUE TO 300' EASTERLY  
 HORIZ. SCALE: 1" = 20' VERT. SCALE: 1" = 4'

ACCT. NO. 230-541500-440223-30278  
 R-3434  
 SHEET 1 OF 1  
 FILE NO.