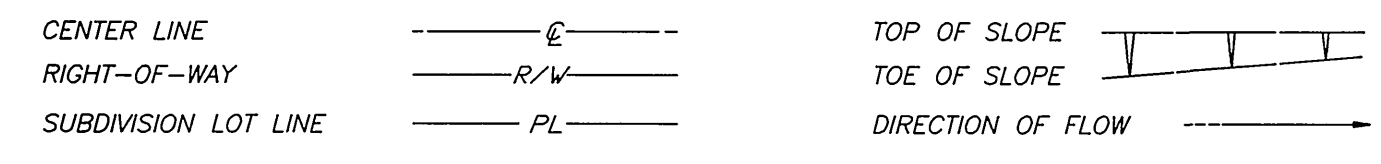


# RIVERSIDE CITY OF RIVERSIDE CALIFORNIA

## PUBLIC WORKS DEPARTMENT

# VAN BUREN BLVD MEDIAN & URBAN FOREST IMPROVEMENTS JURUPA AVE TO SANTA ANA RIVER

### CONSTRUCTION LEGEND



CONSTRUCT 3 1/2" THICK STAMPED CONCRETE - LOW PROFILE/LOW WAFFLE BAUMANTITE 12" X 12" TILE PATTERN OR APPROVED EQUAL, COLOR TO BE ADOBE TAN OR APPROVED EQUAL, SEE SPECIAL PROVISIONS.

SOIL TO BE PREPARED FOR PLANTING PER SPECIAL PROVISIONS AND PLANT STAR JASMINE PER PLANTING DETAIL SHEET 2 AND SPECIAL PROVISIONS.

### SPECIFIC CONSTRUCTION NOTES

1. NUMBERS ABOVE 100 IN A HEXAGON ON THE PLAN REFER TO THE RESPECTIVE STANDARD DRAWING AND SHALL BE CONSTRUCTED ACCORDINGLY, UNLESS MODIFICATIONS ARE NOTED ON THE PLAN OR COVER SHEET. ANY NUMBER SHOWN BELOW THE STANDARD DRAWING NUMBER INDICATES THE SPECIFIC ALTERNATE TO BE CONSTRUCTED.
1. REFER TO SECTION 7-10 OF THE SPECIAL PROVISIONS FOR TRAFFIC CONTROL AND LANE CLOSURES FOR SPECIFIC ITEMS OF WORK.
405. CATCH BASIN TO BE CONSTRUCTED PER STD. DWG. 405 EXCEPT WITH A 5' WIDE BY 9' HI OPENING AND APRON ON BOTH SIDES, WINGS TO BE OMITTED. OVERALL BOX SIZE TO BE 4' X 6'.
1. CONSTRUCT 3 1/2" THICK CONC SWALE 6' WIDE SAME COLOR AS STAMPED CONCRETE - NO STAMPING REQ'D.
2. CONCRETE TO BE SWALED FOR DRAINAGE AND STAMPING OMITTED.
3. INSTALL REDWOOD HEADER
4. ENTRY MONUMENT TO BE BUILT BY OTHERS.
5. AREA TO BE COVERED WITH LANDSCAPE MULCH
6. CONSTRUCT DRAINAGE OPENING, W=5', DEPRESS FLOWLINE 3".

### GENERAL CONSTRUCTION NOTES

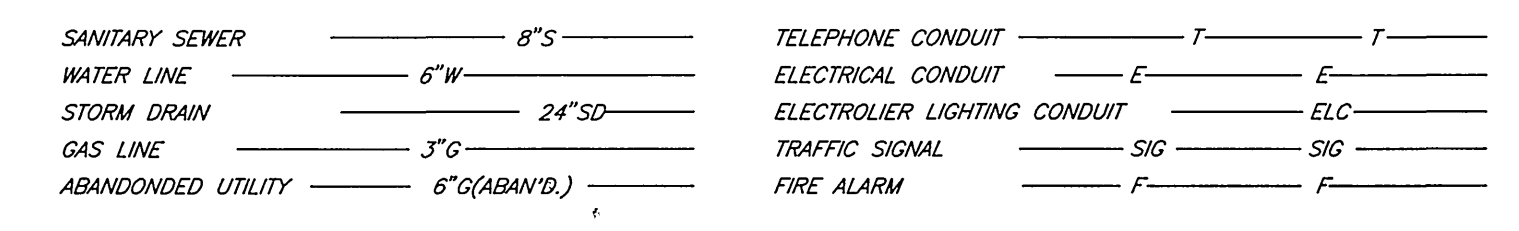
1. EXISTING UTILITIES SHOWN ON THIS PLAN ARE PLOTTED FROM UTILITY RECORDS. THE CONTRACTOR IS REQUIRED TO TAKE DUE PRECAUTIONARY MEASURES TO LOCATE AND PROTECT ALL UTILITIES WHETHER OR NOT SHOWN ON THIS PLAN. IF THE COVER OF A UTILITY IS KNOWN, IT IS SHOWN IN THE PROFILE. UTILITIES SHOWN IN THE PROFILE AS INDICATES THAT THE COVER IS UNKNOWN, BUT THE UTILITY IS NOT EXPECTED TO CONFLICT WITH THE PROPOSED IMPROVEMENTS.
2. ALL ELEVATIONS SHOWN ON THE PLANS SHALL BE STAKED IN THE FIELD.
3. PRIME CONTRACTORS BIDDING THIS WORK SHALL HAVE A CLASS A OR C-27 LICENSE.
4. RIGHTS OF ENTRY HAVE BEEN OBTAINED FOR WORK SHOWN OUTSIDE OF CITY RIGHT OF WAY.

### GENERAL NOTES FOR TREE PLANTING

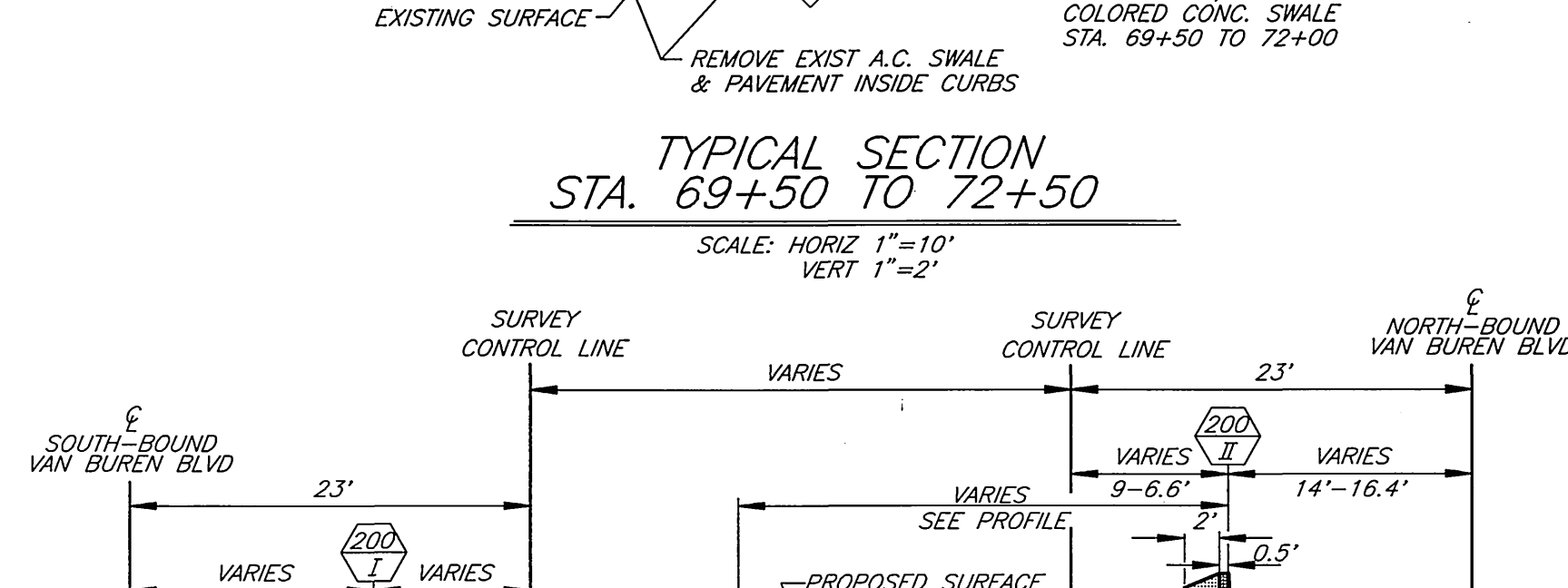
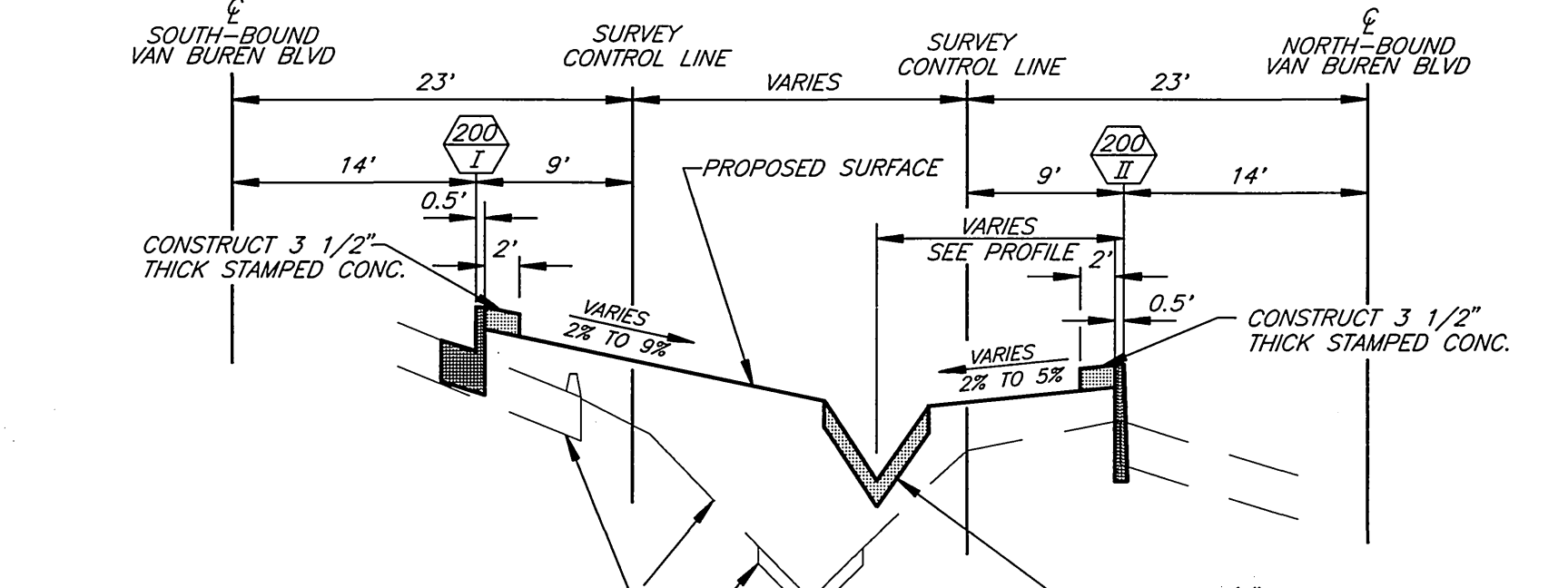
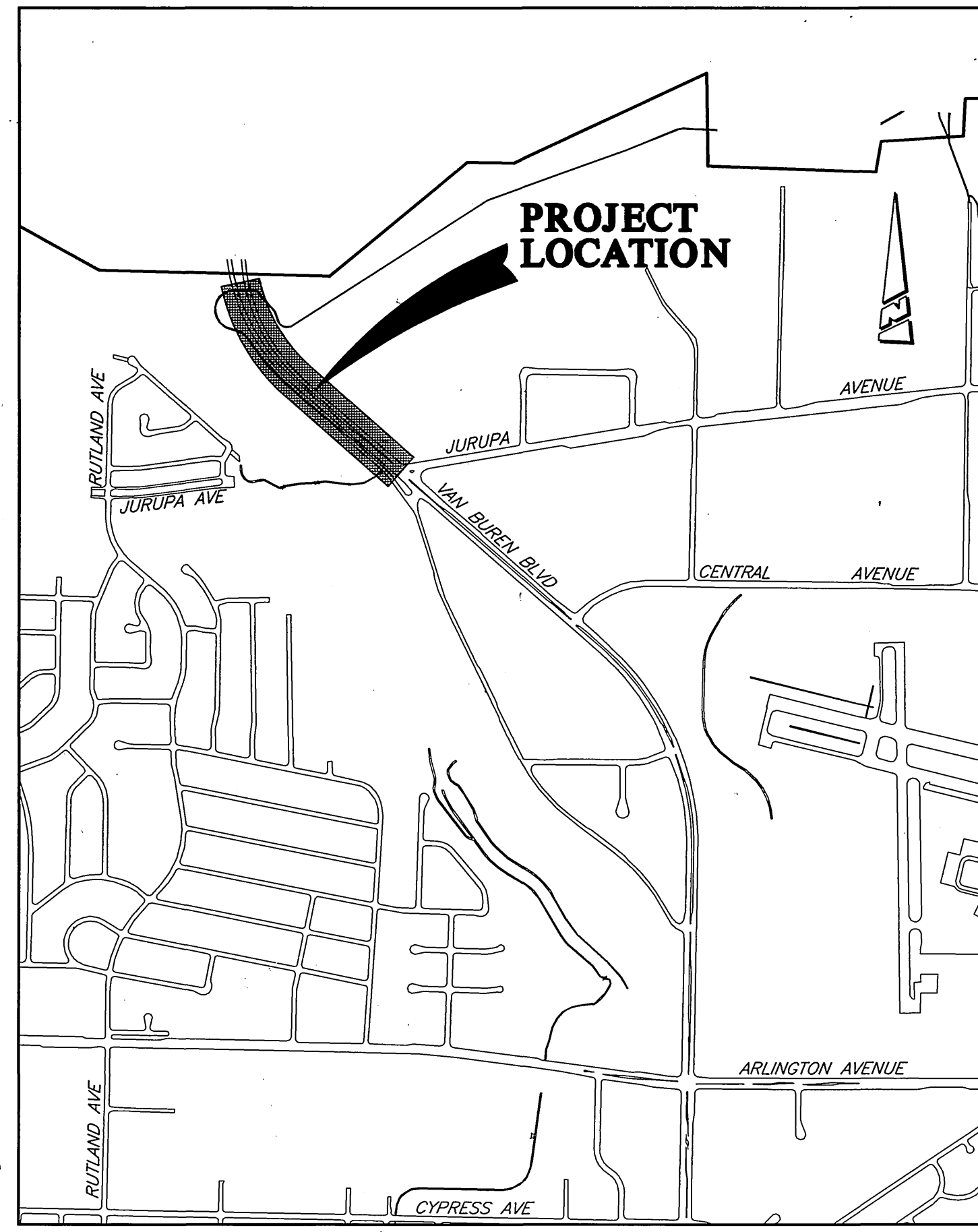
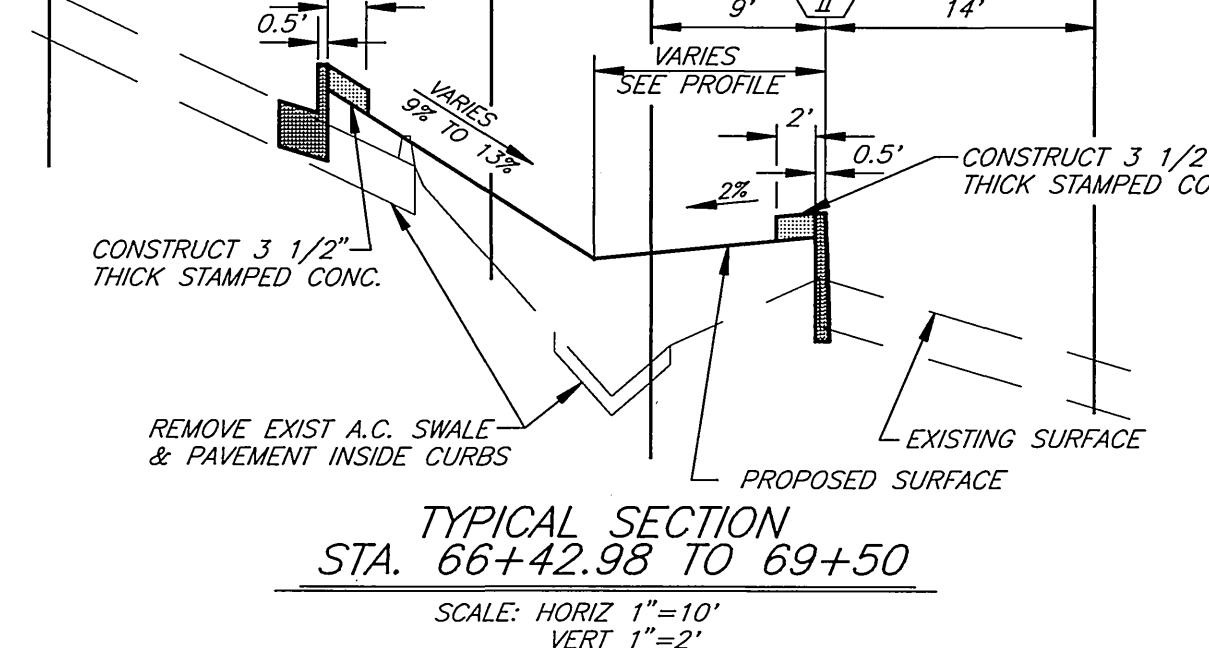
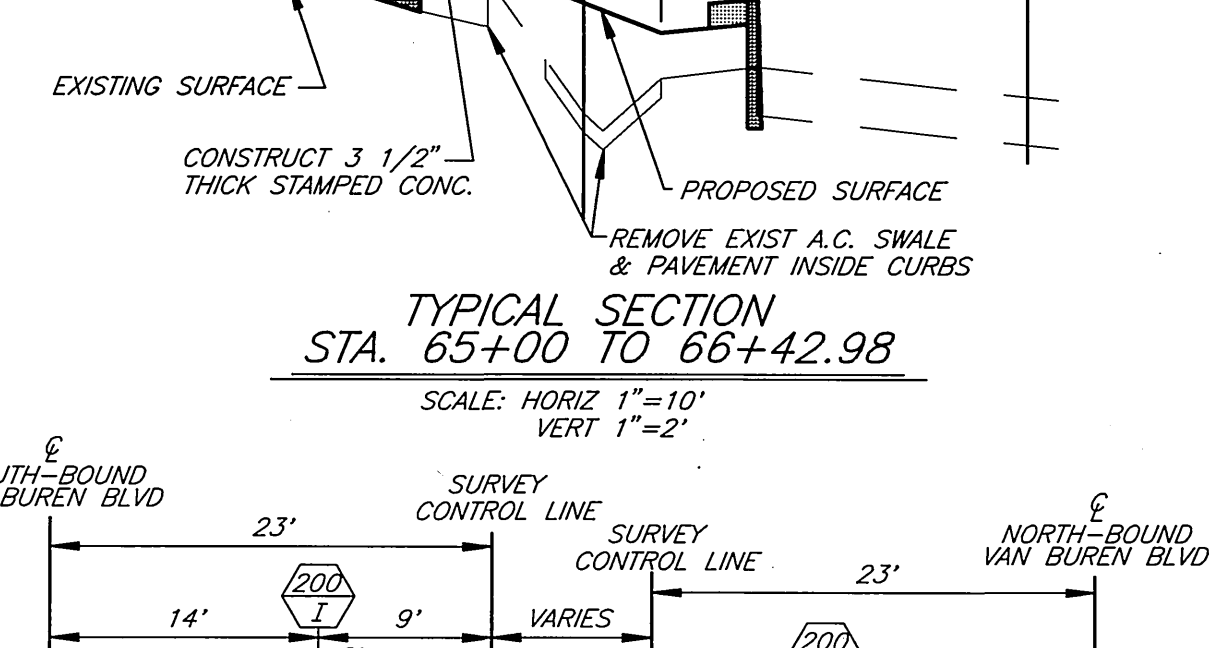
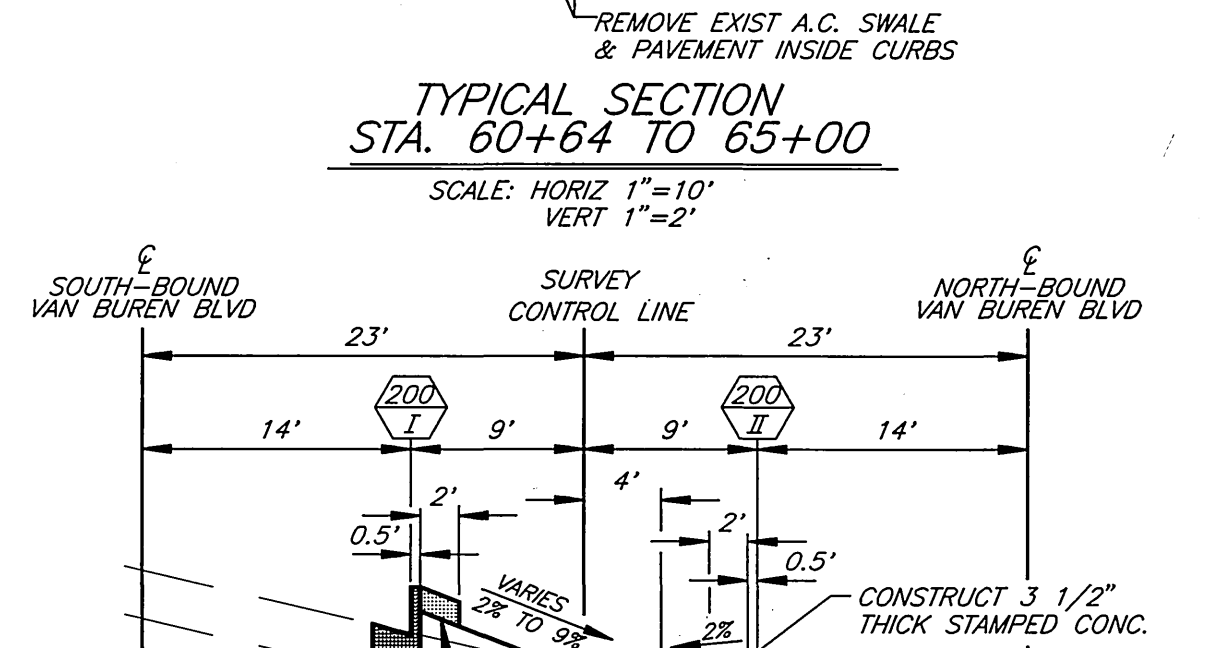
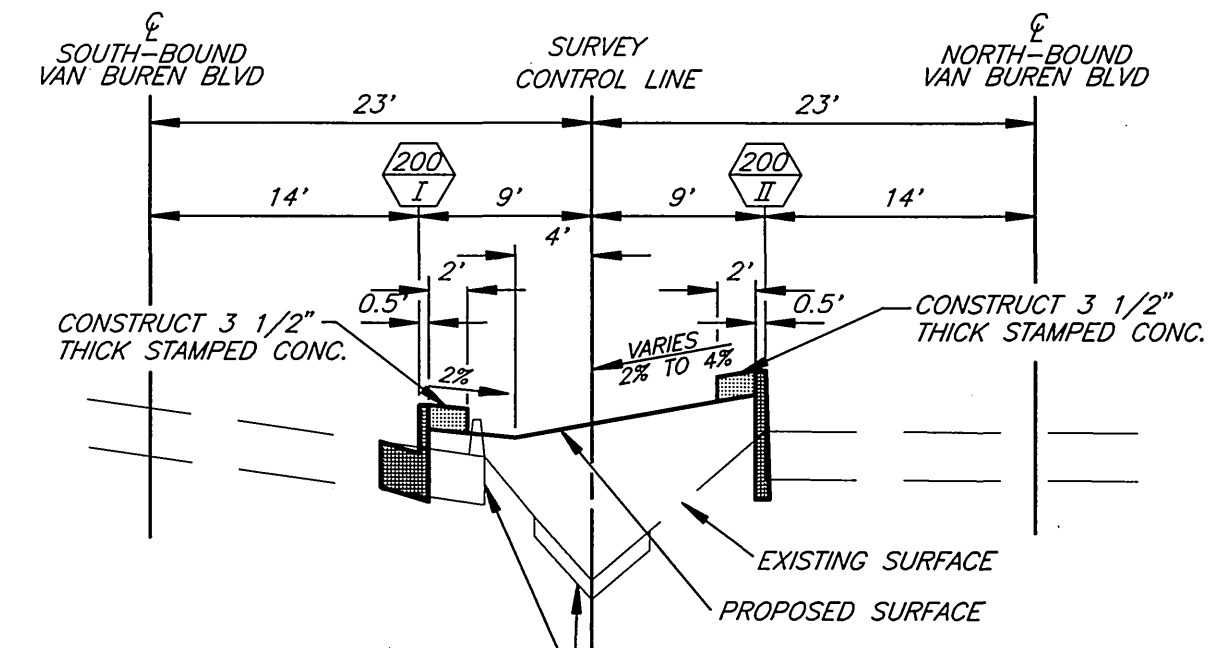
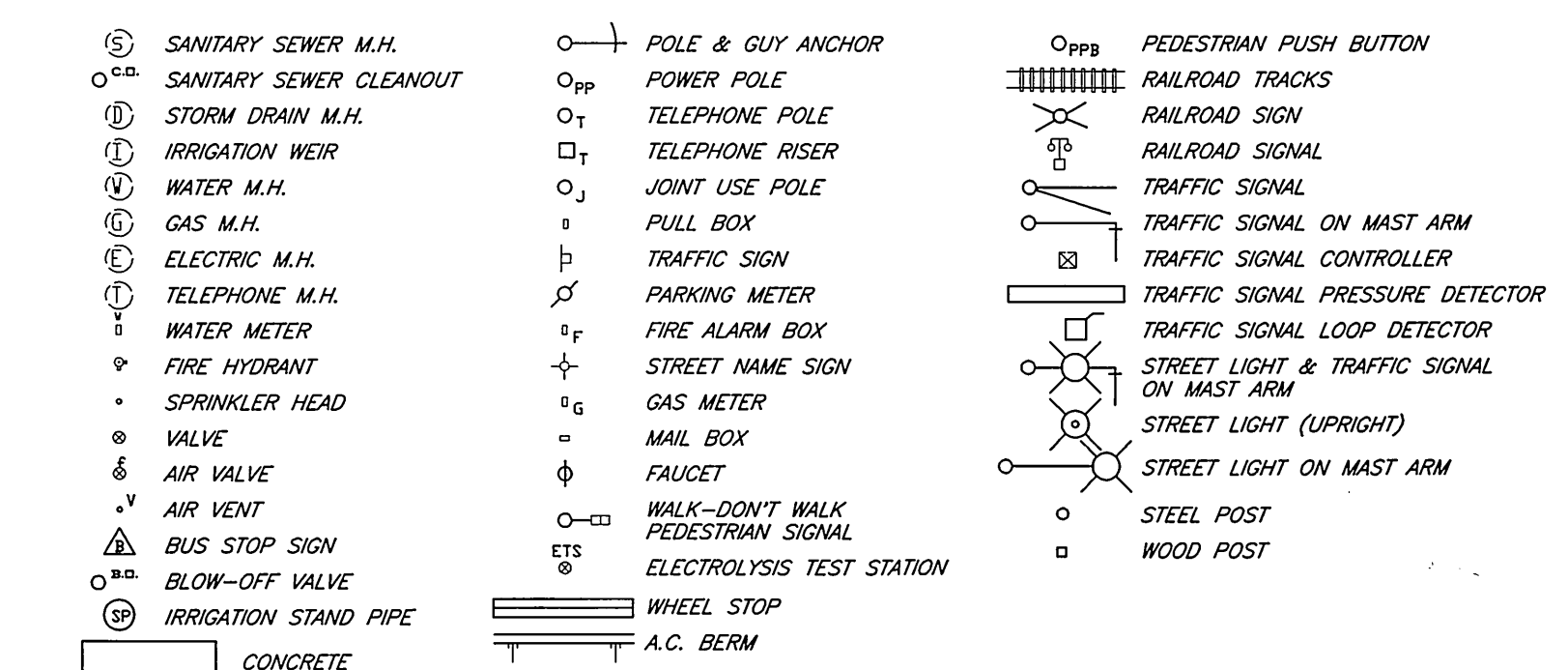
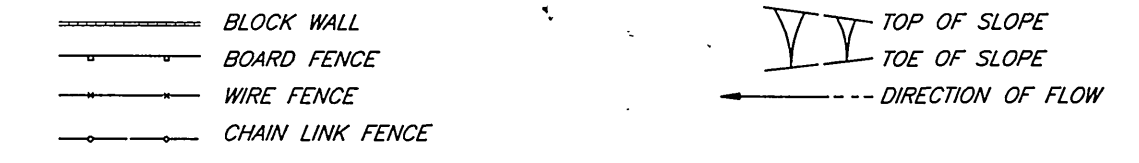
1. ALL RELATED WORK SHALL CONFORM TO THE CITY OF RIVERSIDE PARK AND RECREATION DEPARTMENT STANDARDS.
2. CONTACT THE STREET TREE INSPECTOR A MINIMUM OF 48 HOURS IN ADVANCE AT 351-6126 TO SCHEDULE INSPECTION. INSPECTIONS SHALL BE REQUIRED:
  - a) WHEN PLANT LOCATIONS HAVE BEEN SPOTTED IN THE FIELD PRIOR TO DIGGING PLANT PITS.
  - b) WHILE DIGGING PLANT PITS AND PLANTING/RELOCATING TREES.
  - c) AFTER PLANTING AND ALL OTHER INDICATED OR SPECIFIED WORK HAS BEEN COMPLETED FOR START OF MAINTENANCE.
  - d) AT END OF MAINTENANCE/FINAL ACCEPTANCE (CONTRACTOR WILL BE RELEASED FROM MAINTENANCE ONLY UPON RECEIPT WRITTEN NOTIFICATION FROM THE CITY THAT THE PARK AND RECREATION DEPARTMENT IS ASSUMING MAINTENANCE RESPONSIBILITIES).
3. THE CONTRACTOR SHALL MAINTAIN ALL PLANTINGS FOR A MINIMUM PERIOD OF ONE (1) YEAR.
4. PARK AND RECREATION DEPARTMENT AND PUBLIC WORKS DEPARTMENT PERMITS ARE REQUIRED PRIOR TO COMMENCEMENT OF TREE RELOCATIONS AND/OR REMOVAL WORK. FOR ALL TREE REMOVALS, BACKFILL OF ALL HOLES IS TO BE INSPECTED BY THE CITY FOR PROPER COMPACTION.
5. ANY STREET TREES REQUIRING PRUNING SHALL BE INSPECTED BY THE STREET TREE INSPECTOR PRIOR TO PRUNING TO INSURE AGAINST EXCESSIVE ROOT DAMAGE AND TREE INSTABILITY. ROOTS SHALL BE PRUNED 24" BELOW THE SUBGRADE.

### EXISTING UNDERGROUND & TOPOGRAPHY LEGEND

#### EXISTING UNDERGROUND UTILITIES:



#### EXISTING TOPOGRAPHY:



### SHEET INDEX

SHEET	DESCRIPTION
2-5	CONSTRUCTION AND LANDSCAPE PLANS
6-9	IRRIGATION PLANS
10	IRRIGATION AND PLANTING DETAILS
	TRAFFIC CONTROL PLAN

**IMPORTANT NOTICE**  
 Section 4216/4217 of the Government Code requires a Dig Alert Identification Number to be issued before a "Permit to Excavate" will be valid. For your Dig Alert ID, Number call CALL TOLL FREE 48 HOURS BEFORE YOU DIG UNDERGROUND SERVICE ALERT 1-800-227-2600

**ENGINEER IN RESPONSIBLE CHARGE**  
 Richard D. McGrath  
 R.C.E. No. 31952 expires 12/31/2000  
 DATE 3/18/97

**REGISTERED PROFESSIONAL ENGINEER**  
 RICHARD D. McGRATH  
 No. 31952 Exp. 12-31-00  
 CIVIL  
 STATE OF CALIFORNIA

MARK	REVISIONS	APPR.	DATE

**CITY OF RIVERSIDE, CALIFORNIA PUBLIC WORKS DEPARTMENT**  
 APPROVED BY: [Signature] DATE: 3/19/97  
 DEPUTY P.W. DIRECTOR  
 PRINCIPAL ENGINEER  
 TRAFFIC DIVISION  
 SURVEYOR  
 STREET BEARINGS  
 PUBLIC UTILITIES

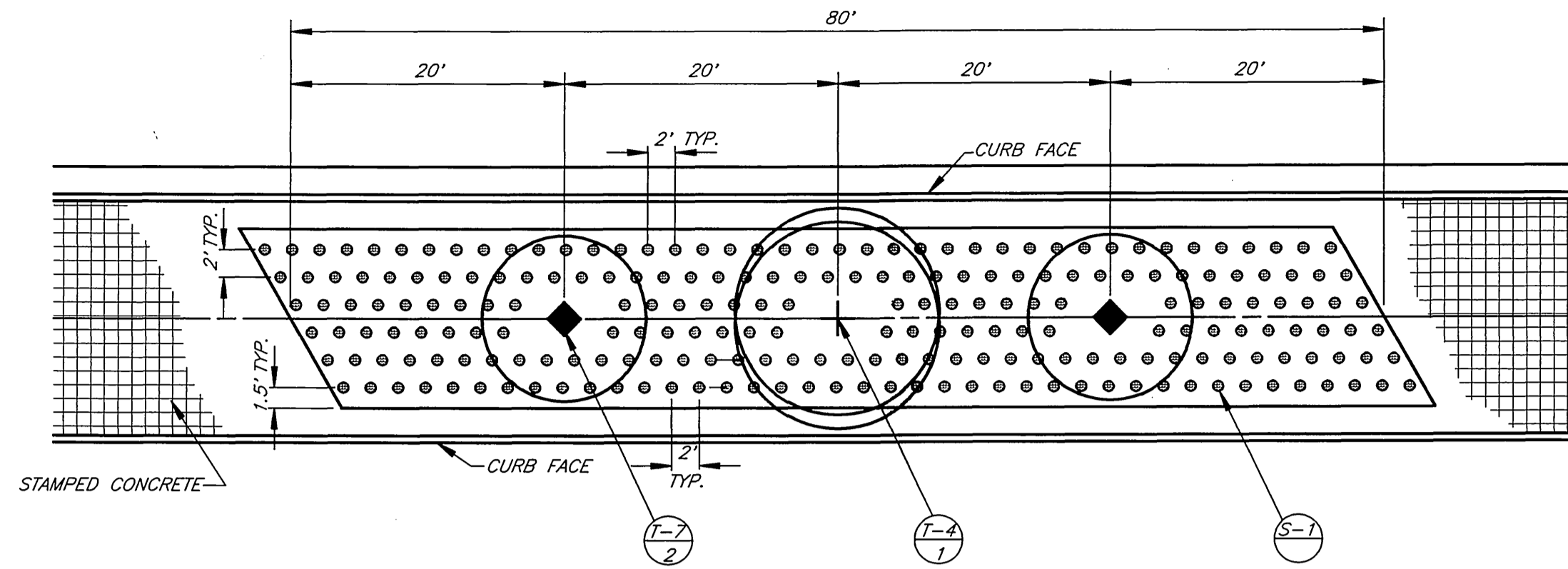
**VAN BUREN BLVD MEDIAN & URBAN FOREST JURUPA AVE TO SANTA ANA RIVER**

AS BUILT 7/21/98 PLM  
 ACCT. NO. 230-541500-440223-30290  
**R-3453**  
 SHEET 1 OF 10



**PLANTING LEGEND**

ITEM	SYMBOL	BOTANICAL NAME	COMMON NAME	SIZE
TREES	T-1	CERCIS OCCIDENTALIS	WESTERN REDBUD	15 GAL.
	T-2	CITRUS	NAVEL ORANGE	24" BOX
	T-3	FORTUNELLA	KUMQUAT	24" BOX
	T-4	MAYTEN BOARIA	MAYTEN TREE	24" BOX
	T-5	PLATANUS RACEMOSA	CALIFORNIA SYCAMORE	15 GAL.
	T-6	POPULUS TRICHOCARPA	BLACK COTTONWOOD	15 GAL.
	T-7	CHILOPSIS LINEARIS	DESERT CATALPA	24" BOX
	T-8	QUERCUS AGRIFOLIA	COAST LIVE OAK (EVERGREEN)	15 GAL.
	T-9	SALIX ALBA TRISTIS	GOLDEN WEeping WILLOW	15 GAL.
SHRUBS	S-1	TRACHELOSPERMUM JAMINUM	STAR JASMINE	1 GAL.
PLANTS	P-1	PERRENIAL	FLOWERS	1 GAL.



**PLANTING DETAIL**

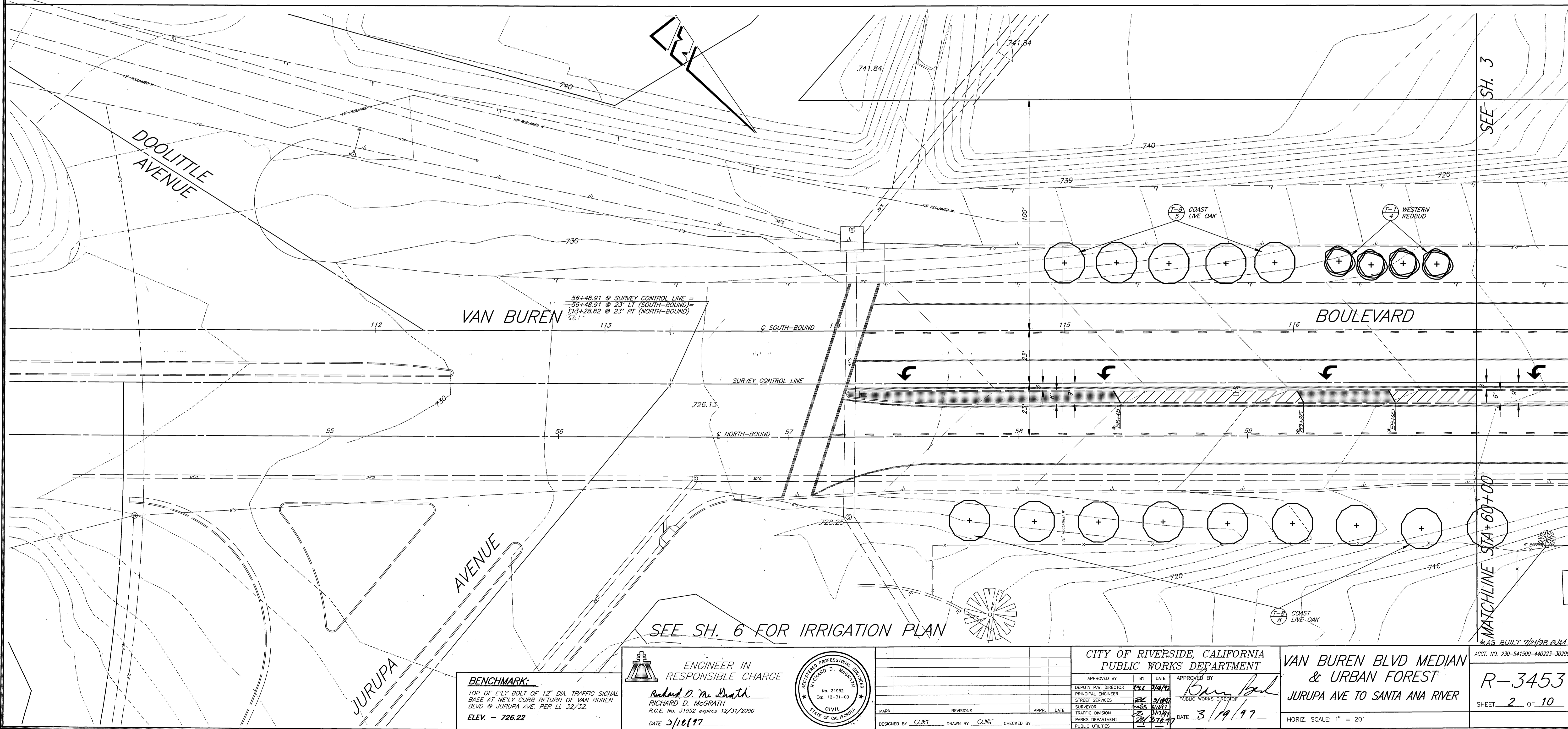
SCALE: 1"=10'

**CONSTRUCTION LEGEND**

- CONSTRUCT 3 1/2" THICK STAMPED CONCRETE - LOW PROFILE/ LOW WAFFLE BAUMANITE 12" X 12" TILE PATTERN OR APPROVED EQUAL, COLOR TO BE ADOBE TAN OR APPROVED EQUAL, SEE SPECIAL PROVISIONS.
- SOIL TO BE PREPARED FOR PLANTING PER SPECIAL PROVISIONS AND PLANT STAR JASMINE PER PLANTING DETAIL SHEET 2 AND SPECIAL PROVISIONS.

**CONSTRUCTION NOTES**

- REFER TO SECTION 7-10 OF THE SPECIAL PROVISIONS FOR TRAFFIC CONTROL AND LANE CLOSURES FOR SPECIFIC ITEMS OF WORK.



SEE SH. 6 FOR IRRIGATION PLAN

**BENCHMARK:**

TOP OF E'LY BOLT OF 12" DIA. TRAFFIC SIGNAL BASE AT NE'LY CURB RETURN OF VAN BUREN BLVD @ JURUPA AVE. PER LL 32/32.  
ELEV. - 726.22

ENGINEER IN RESPONSIBLE CHARGE  
*Richard D. McGrath*  
RICHARD D. McGRATH  
R.C.E. No. 31952 expires 12/31/2000  
DATE 3/18/97



CITY OF RIVERSIDE, CALIFORNIA  
PUBLIC WORKS DEPARTMENT  
APPROVED BY: *[Signature]* DATE: 3/19/97  
DEPUTY P.W. DIRECTOR  
PRINCIPAL ENGINEER  
STREET SERVICES  
SURVEYOR  
TRAFFIC DIVISION  
PARKS DEPARTMENT  
PUBLIC UTILITIES

VAN BUREN BLVD MEDIAN & URBAN FOREST  
JURUPA AVE TO SANTA ANA RIVER  
HORIZ. SCALE: 1" = 20'

AS BUILT 7/24/98 P.W.  
ACCT. NO. 230-541500-440223-30290  
R-3453  
SHEET 2 OF 10



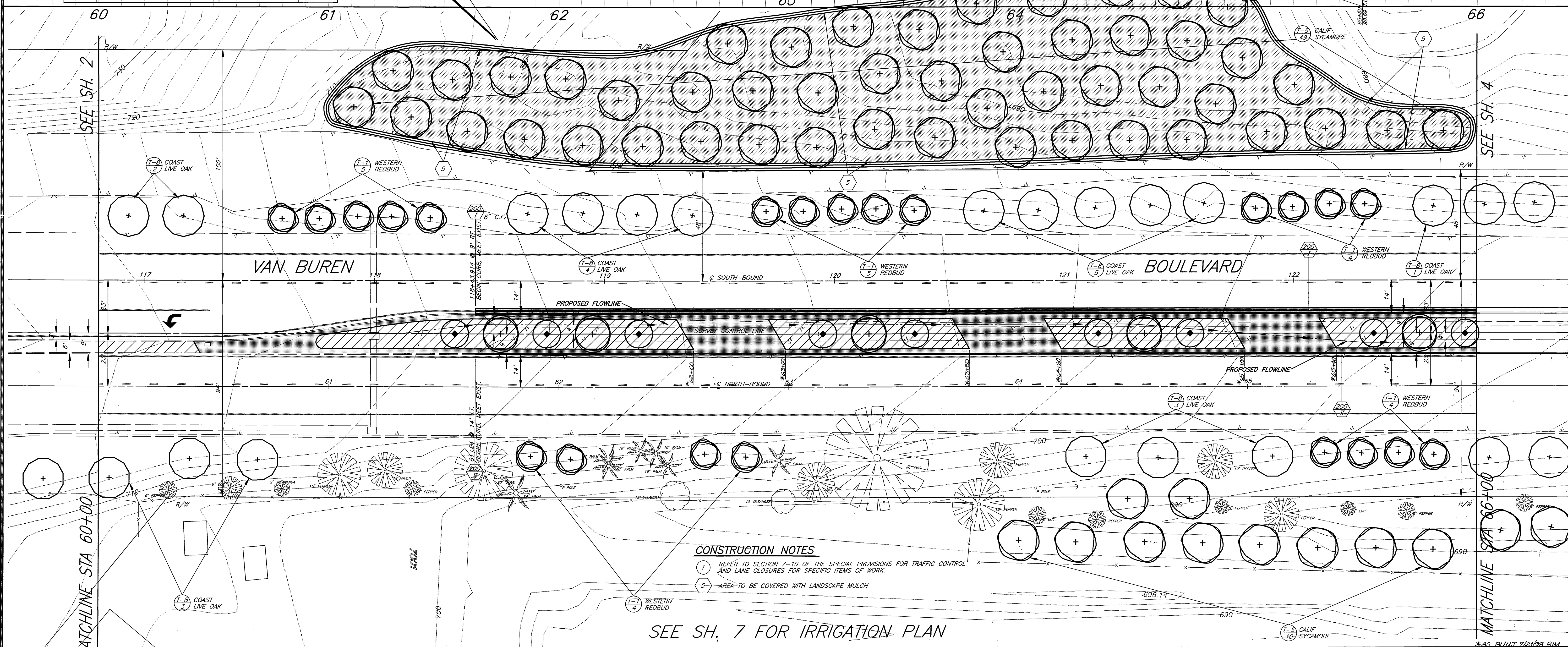
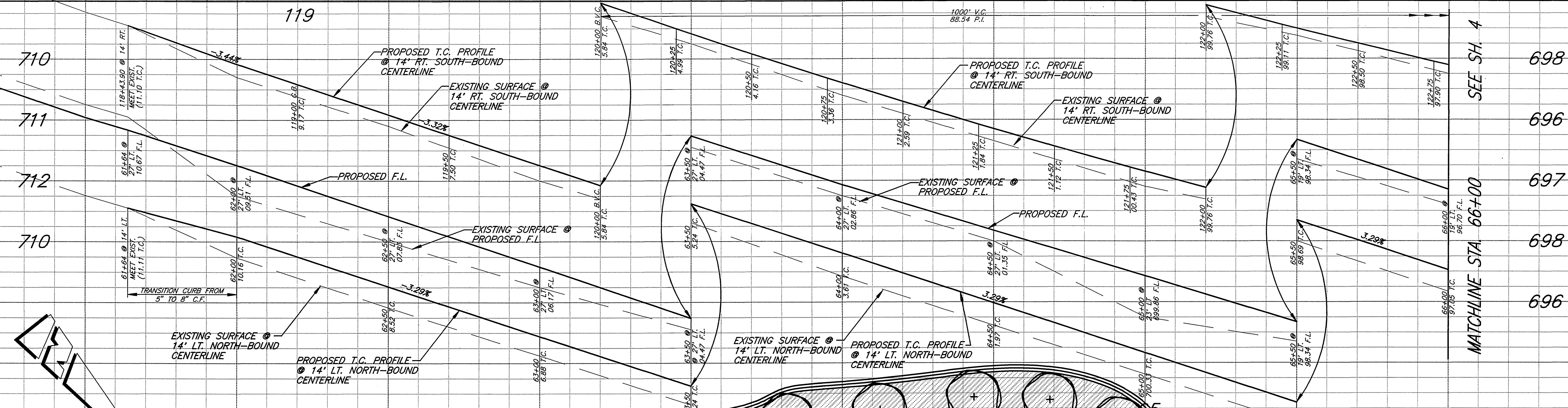
**CONSTRUCTION LEGEND**

CONSTRUCT 3 1/2" THICK STAMPED CONCRETE - LOW PROFILE / LOW WAFFLE BAUMANITE 12" X 12" TILE PATTERN OR APPROVED EQUAL - COLOR TO BE ADDED-TAN OR APPROVED EQUAL - SEE SPECIAL PROVISIONS.

SOIL TO BE PREPARED FOR PLANTING PER SPECIAL PROVISIONS AND PLANT STAR JASMINE PER PLANTING DETAIL SHEET 2 AND SPECIAL PROVISIONS.

**PLANTING LEGEND**

ITEM	SYMBOL	BOTANICAL NAME	COMMON NAME	SIZE
TREES	T-1	CERES OCCIDENTALIS	WESTERN REDBUD	15 GAL.
	T-2	CITRUS	NAVEL ORANGE	24" BOX
	T-3	FORTUNELLA	KUMQUAT	24" BOX
	T-4	MAYTEN BOARIA	MAYTEN TREE	24" BOX
	T-5	PLATANUS RACEMOSA	CALIFORNIA SYCAMORE	15 GAL.
	T-6	POPULUS TRICHOCARPA	BLACK COTTONWOOD	15 GAL.
	T-7	CHILOPSIS LINEARIS	DESERT CATALPA	24" BOX
	T-8	QUERCUS AGRIFOLIA	COAST LIVE OAK (EVERGREEN)	15 GAL.
	T-9	SALIX ALBA TRISTIS	GOLDEN WEeping WILLOW	15 GAL.
SHRUBS	S-1	TRACHELOSPERMUM JAMINUM	STAR JASMINE	1 GAL.
PLANTS	P-1	PERENNIAL	FLOWERS	1 GAL.



**CONSTRUCTION NOTES**

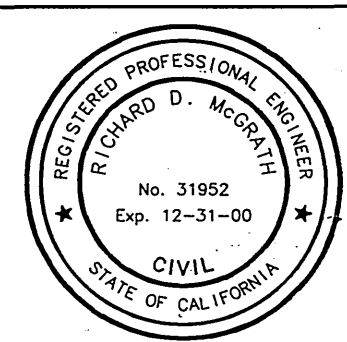
- 1 REFER TO SECTION 7-10 OF THE SPECIAL PROVISIONS FOR TRAFFIC CONTROL AND LANE CLOSURES FOR SPECIFIC ITEMS OF WORK.
- 5 AREA TO BE COVERED WITH LANDSCAPE MULCH

SEE SH. 7 FOR IRRIGATION PLAN

**BENCHMARK:**

TOP OF E"LY BOLT OF 12" DIA. TRAFFIC SIGNAL BASE AT NELY CURB RETURN OF VAN BUREN BLVD @ JURUPA AVE. PER LL 32/32.  
ELEV. - 726.22

ENGINEER IN RESPONSIBLE CHARGE  
*Richard D. McGrath*  
RICHARD D. McGRATH  
R.C.E. No. 31952 expires 12/31/2000  
DATE 3/18/97



MARK	REVISIONS	APPR.	DATE

CITY OF RIVERSIDE, CALIFORNIA  
PUBLIC WORKS DEPARTMENT

APPROVED BY: *[Signature]* DATE: 3/19/97  
DEPUTY P.W. DIRECTOR

APPROVED BY: *[Signature]* DATE: 3/19/97  
PUBLIC WORKS DIRECTOR

DESIGNED BY: CURT / DRAWN BY: CURT / CHECKED BY: *[Signature]*

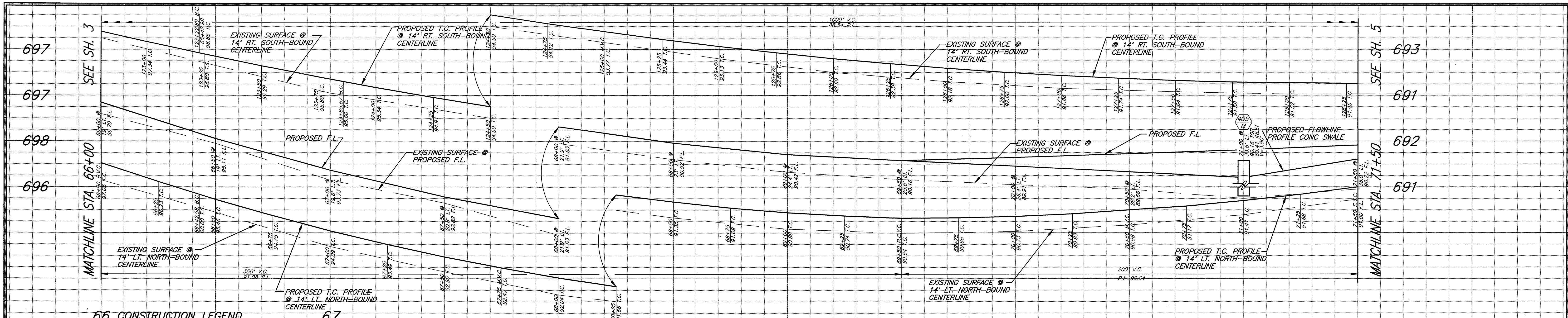
\*AS BUILT 7/21/98 RIM  
ACC. NO. 230-541500-440223-30290

VAN BUREN BLVD MEDIAN & URBAN FOREST  
JURUPA AVE TO SANTA ANA RIVER

R-3453  
SHEET 3 OF 10

HORIZ. SCALE: 1" = 20' VERT. SCALE: 1" = 2'



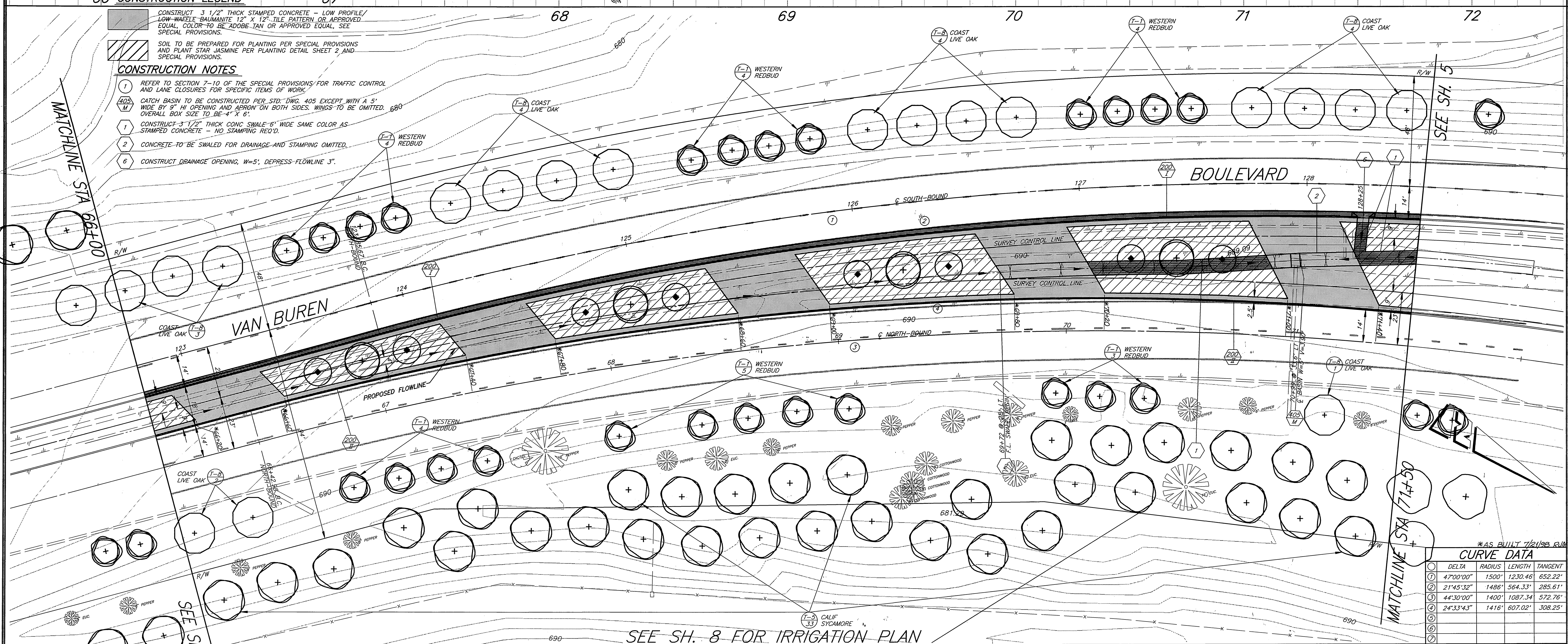


**66 CONSTRUCTION LEGEND**

- CONSTRUCT 3 1/2" THICK STAMPED CONCRETE - LOW PROFILE/ LOW WHEEL BAUMANNITE 12" X 12" TILE PATTERN OR APPROVED EQUAL, COLOR TO BE ADOBE TAN OR APPROVED EQUAL, SEE SPECIAL PROVISIONS.
- SOIL TO BE PREPARED FOR PLANTING PER SPECIAL PROVISIONS AND PLANT STAR JASMINE PER PLANTING DETAIL SHEET 2 AND SPECIAL PROVISIONS.

**CONSTRUCTION NOTES**

- 1 REFER TO SECTION 7-10 OF THE SPECIAL PROVISIONS FOR TRAFFIC CONTROL AND LANE CLOSURES FOR SPECIFIC ITEMS OF WORK.
- 2 CATCH BASIN TO BE CONSTRUCTED PER STD. DWG. 405 EXCEPT WITH A 5' WIDE BY 9" HI OPENING AND APRON ON BOTH SIDES. WINGS TO BE OMITTED. OVERALL BOX SIZE TO BE 4' X 6'.
- 3 CONSTRUCT 3 1/2" THICK CONC SWALE 6" WIDE SAME COLOR AS STAMPED CONCRETE - NO STAMPING REQ'D.
- 4 CONCRETE TO BE SWALE FOR DRAINAGE AND STAMPING OMITTED.
- 5 CONSTRUCT DRAINAGE OPENING, W=5', DEPRESS FLOWLINE 3".



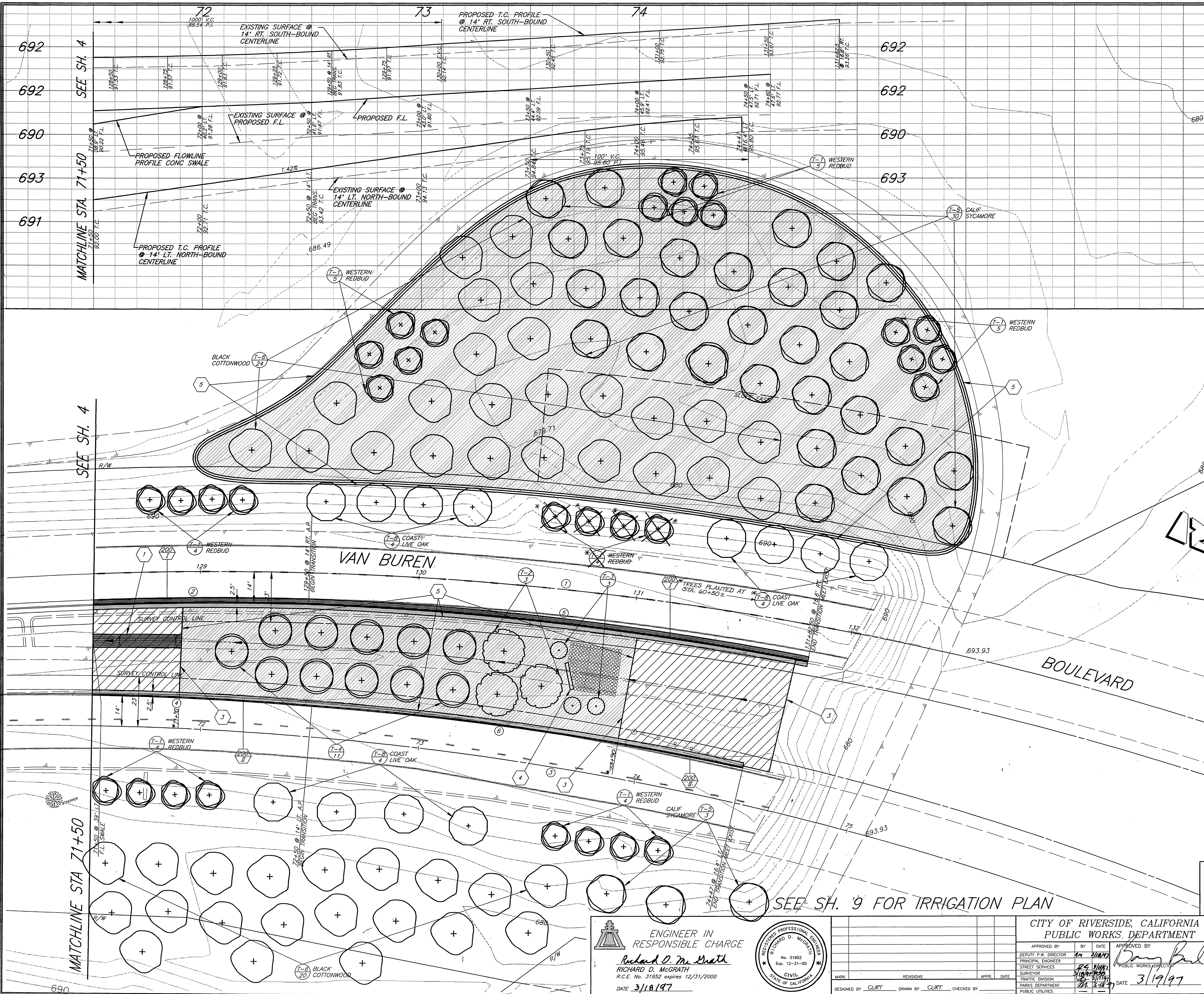
SEE SH. 8 FOR IRRIGATION PLAN

\*AS BUILT 7/21/98 R/W

CURVE DATA				
STATION	DELTA	RADIUS	LENGTH	TANGENT
1	47°00'00"	1500'	1230.46'	652.22'
2	21°45'32"	1486'	564.33'	285.61'
3	44°30'00"	1400'	1087.34'	572.76'
4	24°33'43"	1416'	607.02'	308.25'

<p><b>BENCHMARK:</b> TOP OF E'LY BOLT OF 12" DIA. TRAFFIC SIGNAL BASE AT N'E'LY CURB RETURN OF VAN BUREN BLVD @ JURUPA AVE. PER LL 32/32. ELEV. - 726.22</p>	<p>ENGINEER IN RESPONSIBLE CHARGE <i>Richard D. McGrath</i> RICHARD D. McGRATH R.C.E. No. 31952 expires 12/31/2000 DATE 3/10/97</p>		<p>CITY OF RIVERSIDE, CALIFORNIA PUBLIC WORKS DEPARTMENT</p>		<p>VAN BUREN BLVD MEDIAN &amp; URBAN FOREST JURUPA AVE TO SANTA ANA RIVER R-3453 SHEET 4 OF 10</p>
			<p>APPROVED BY: <i>[Signature]</i> DATE: 3/19/97</p>	<p>APPROVED BY: <i>[Signature]</i> DATE: 3/19/97</p>	





**PLANTING LEGEND**

ITEM	SYMBOL	BOTANICAL NAME	COMMON NAME	SIZE
TREES	T-1	CERCIS OCCIDENTALIS	WESTERN REDBUD	15 GAL.
	T-2	CITRUS	NAVEL ORANGE	24" BOX
	T-3	FORTUNELLA	KUMQUAT	24" BOX
	T-4	MAYTEN BOARIA	MAYTEN TREE	24" BOX
	T-5	PLATANUS RAEMOSA	CALIFORNIA SYCAMORE	15 GAL.
	T-6	POPULUS TRICHOCARPA	BLACK COTTONWOOD	15 GAL.
	T-7	CHILOPSIS LINEARIS	DESERT CATALPA	24" BOX
	T-8	QUERCUS AGRIFOLIA	COAST LIVE OAK (EVERGREEN)	15 GAL.
	T-9	SALIX ALBA TRISTIS	GOLDEN WEeping WILLOW	15 GAL.
SHRUBS	S-1	TRACHELOSPERMUM JAMINUM	STAR JASMINE	1 GAL.
PLANTS	P-1	PERENNIAL	FLOWERS	1 GAL.

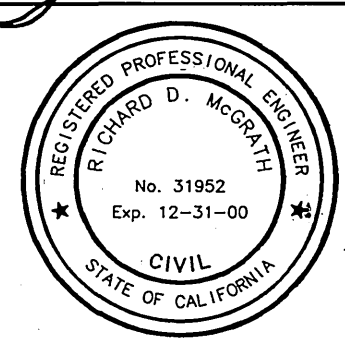
- CONSTRUCTION LEGEND**
- CONSTRUCT 3 1/2" THICK STAMPED CONCRETE - LOW PROFILE/ LOW WAFFLE BAUMANITE 12" X 12" TILE/PATTERN OR APPROVED EQUAL. COLOR TO BE ADOBE TAN OR APPROVED EQUAL. SEE SPECIAL PROVISIONS.
  - SOIL TO BE PREPARED FOR PLANTING PER SPECIAL PROVISIONS AND PLANT STAR JASMINE PER PLANTING DETAIL SHEET 2 AND SPECIAL PROVISIONS.
- CONSTRUCTION NOTES**
- REFER TO SECTION 7-10 OF THE SPECIAL PROVISIONS FOR TRAFFIC CONTROL AND LANE CLOSURES FOR SPECIFIC ITEMS OF WORK.
  - CONSTRUCT 3 1/2" THICK CONC SWALE 6" WIDE SAME COLOR AS STAMPED CONCRETE - NO STAMPING REQ'D.
  - CONCRETE TO BE SWALED FOR DRAINAGE AND STAMPING OMITTED.
  - INSTALL REDWOOD HEADER
  - ENTRY MONUMENT TO BE BUILT BY OTHERS.
  - AREA TO BE COVERED WITH LANDSCAPE MULCH

**CURVE DATA**

STATION	DELTA	RADIUS	LENGTH	TANGENT
1	47°00'00"	1500'	1230.46'	652.22'
2	21°45'32"	1486'	564.33'	285.61'
3	44°30'00"	1400'	1087.34'	572.76'
4	24°35'48"	1414'	607.02'	308.26'
5	8°52'25"	1486'	230.14'	115.30'
6	8°04'11"	1414'	199.15'	99.74'

**BENCHMARK:**  
 TOP OF E'LY BOLT OF 12" DIA. TRAFFIC SIGNAL BASE AT N'E'LY CURB RETURN OF VAN BUREN BLVD @ JURUPA AVE. PER LL 32/32.  
 ELEV. - 726.22

ENGINEER IN RESPONSIBLE CHARGE  
**Richard D. McGrath**  
 RICHARD D. McGRATH  
 R.C.E. No. 31952 expires 12/31/2000  
 DATE 3/18/97



CITY OF RIVERSIDE, CALIFORNIA  
 PUBLIC WORKS DEPARTMENT

APPROVED BY: [Signature] DATE: 3/19/97  
 DEPUTY P.W. DIRECTOR  
 PRINCIPAL ENGINEER  
 STREET SERVICES  
 SURVIVOR  
 TRAFFIC DIVISION  
 PARKS DEPARTMENT  
 PUBLIC UTILITIES

VAN BUREN BLVD MEDIAN & URBAN FOREST  
 JURUPA AVE TO SANTA ANA RIVER

ACT. NO. 230-541500-440223-30290  
**R-3453**  
 SHEET 5 OF 10

HORIZ. SCALE: 1" = 20' VERT. SCALE: 1" = 2'

INDEXED 11-13-97 LHM

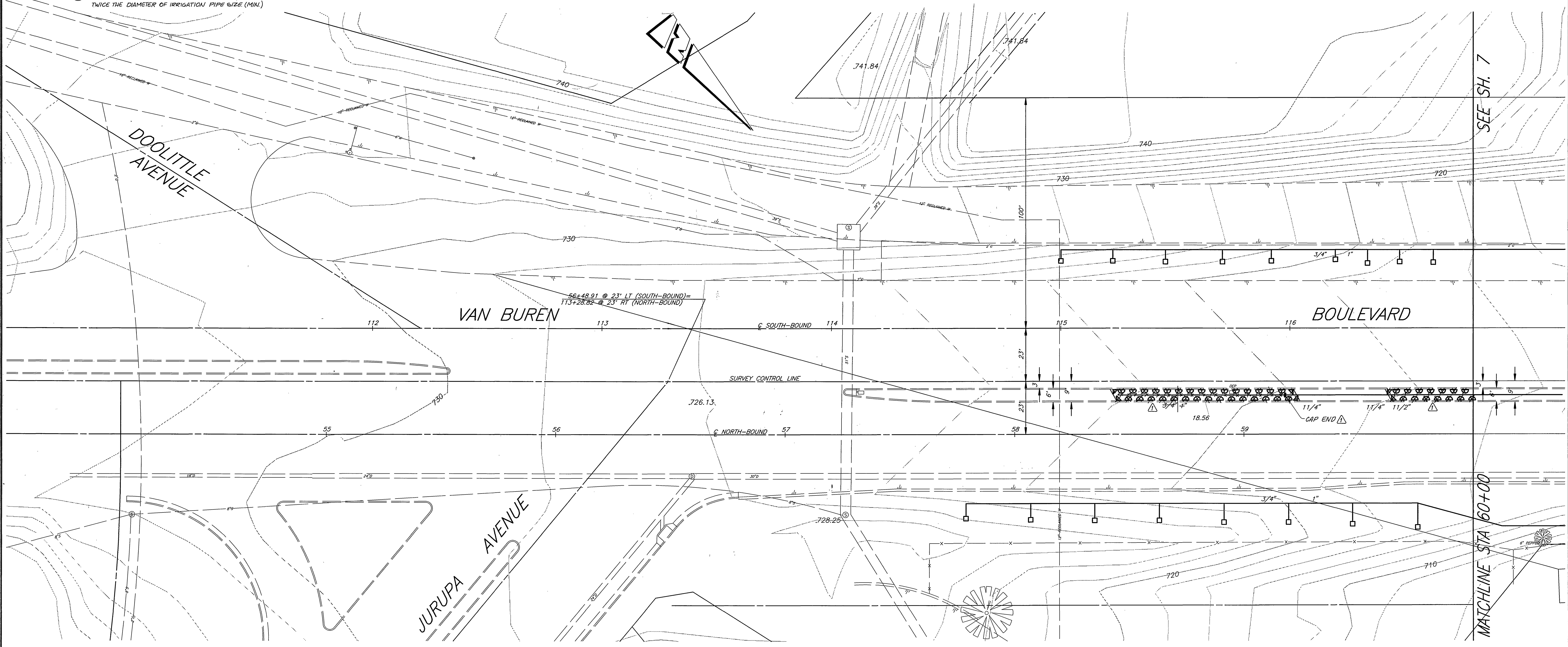


IRRIGATION LEGEND					
SYMBOL	DESCRIPTION	REMARKS	SYMBOL	DESCRIPTION	REMARKS
⊙	GRISWOLD 2000 REMOTE CONTROL VALVE - SIZE PER PLAN	4	□	RAINBIRD 1402 BUBBLER	0.50 GPM FLOOD BUBBLER, 2 PER TREE
⊙	TORO PRV15025 PRESSURE REGULATOR 7-40 GPM - 25 PSI	SIZE PER PLAN	X	RAINBIRD T-12-PC-T30-1.3 ROTOR SPRINKLER	30"R 1.30 GPM FULL CIRCLE
⊙	NIBCO T-113 GATE VALVE	1	V	RAINBIRD T-12-PC-T30-1.3 ROTOR SPRINKLER	30"R 1.30 GPM PART CIRCLE, ADJUSTED TO 180°
⊙	RAINBIRD RCM-188 CONTROLLER (18 STATION)	2 REQUIRED	∇	RAINBIRD T-12-PC-T30-1.3 ROTOR SPRINKLER	30"R 1.30 GPM PART CIRCLE, ADJUSTED TO 90°
---	PRESSURE MAINLINE PVC SCH 40 - SIZE PER PLAN	SIZE PER PLAN	⊙	RAINBIRD 1812-MPR-12H SPRAY SPRINKLER	12"R 1.20 GPM
---	NON-PRESSURE LATERAL LINE PVC CL200	SIZE PER PLAN	⊙	RAINBIRD 1812-MPR-120 SPRAY SPRINKLER	12"R 0.60 GPM
---	PVC PIPE & WIRE SLEEVE - SIZE PER PLAN OR 2X PIPE DIA	NOT SHOWN			
---	UF DIRECT BURIAL CONTROL WIRE, SOLID COPPER	NOT SHOWN			
---	FEBCO 825Y R.P. BACKFLOW PREVENTER W/WILKENS	2			
---	500 YBSR PRESSURE REGULATOR/STRAINER	SIZE PER PLAN			

SEE SHEET 10 OF 10 FOR DETAILS

**CONSTRUCTION NOTES**

- REFER TO SECTION 7-10 OF THE SPECIAL PROVISIONS FOR TRAFFIC CONTROL AND LANE CLOSURES FOR SPECIFIC ITEMS OF WORK.
- ALL IRRIGATION LINES TO BE INSTALLED UNDER STAMPED CONCRETE AREAS SHALL BE INSTALLED IN SCH 90 PVC SLEEVES, SLEEVE SIZE SHALL BE TWICE THE DIAMETER OF IRRIGATION PIPE SIZE (MIN).



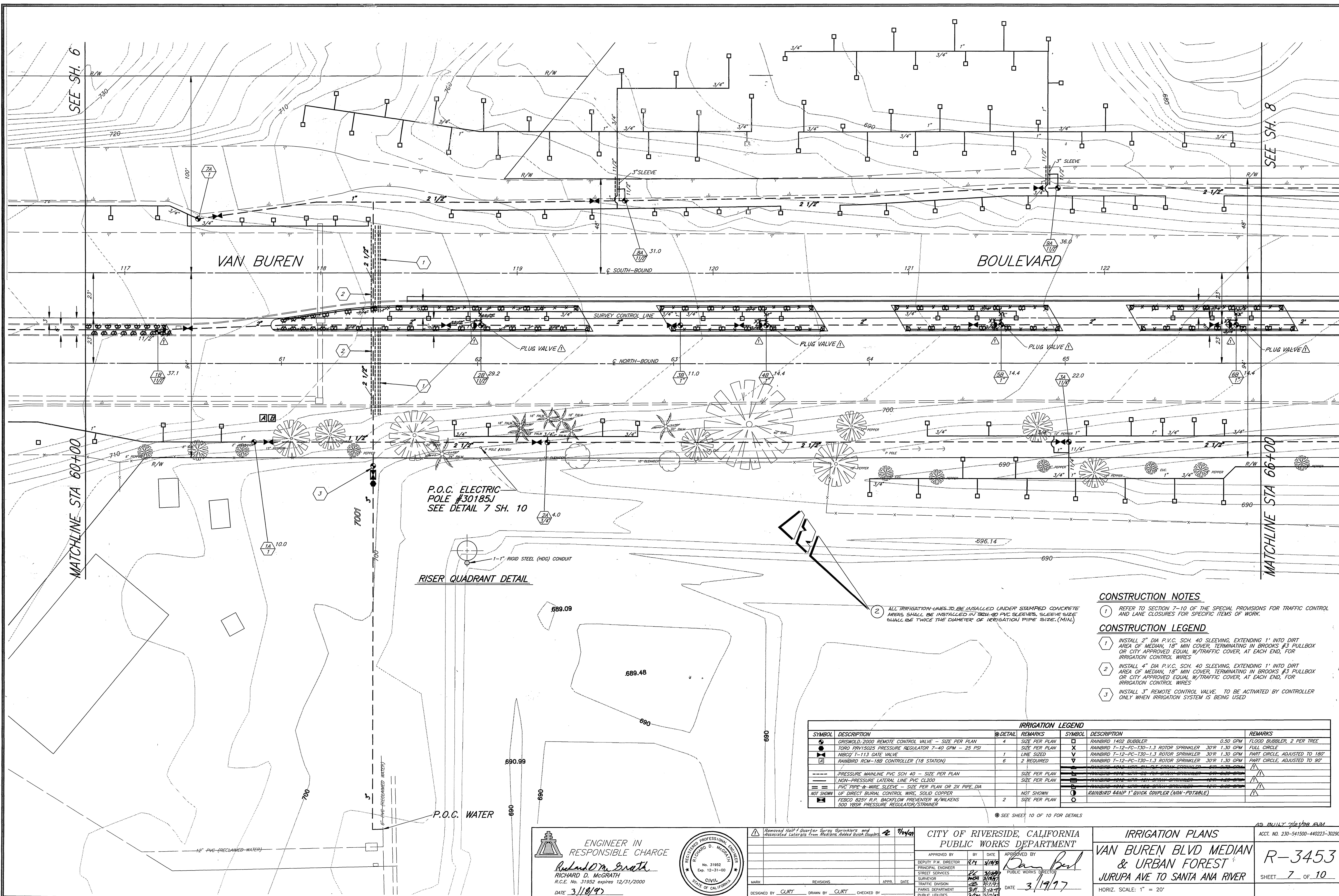
SEE SH. 7

MATCHLINE STA 160+00

<p>ENGINEER IN RESPONSIBLE CHARGE Richard D. McGrath R.C.E. No. 31952 expires 12/31/2000 DATE 3/18/97</p>	<p>Removed Half &amp; Quarter Sprays from Median and Capped Header.</p> <p>DESIGNED BY CURT DRAWN BY CURT CHECKED BY</p>	<p>CITY OF RIVERSIDE, CALIFORNIA PUBLIC WORKS DEPARTMENT</p>		<p>IRRIGATION PLANS VAN BUREN BLVD MEDIAN &amp; URBAN FOREST JURUPA AVE TO SANTA ANA RIVER</p>		<p>AS BUILT 7/21/98 @RM ACCT. NO. 230-541500-440223-30290</p>
		<p>APPROVED BY: [Signature] DATE: 3/19/97</p> <p>DEPUTY P.W. DIRECTOR: [Signature] DATE: 3/19/97</p> <p>PRINCIPAL ENGINEER: [Signature] DATE: 3/19/97</p> <p>STREET SERVICES: [Signature] DATE: 3/19/97</p> <p>SURVEYOR: [Signature] DATE: 3/19/97</p> <p>TRAFFIC DIVISION: [Signature] DATE: 3/19/97</p> <p>PARKS DEPARTMENT: [Signature] DATE: 3/19/97</p> <p>PUBLIC UTILITIES: [Signature] DATE: 3/19/97</p>		<p>SHEET 6 OF 10</p>		<p>R-3453</p>

INDEXED 11-13-97 4H





P.O.C. ELECTRIC POLE #30185J SEE DETAIL 7 SH. 10

RISER QUADRANT DETAIL

P.O.C. WATER

**CONSTRUCTION NOTES**

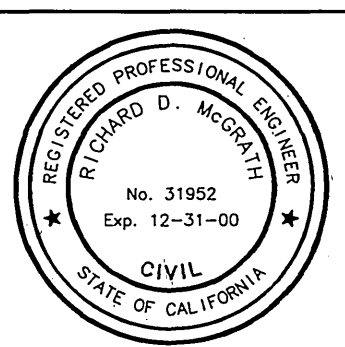
- 1 REFER TO SECTION 7-10 OF THE SPECIAL PROVISIONS FOR TRAFFIC CONTROL AND LANE CLOSURES FOR SPECIFIC ITEMS OF WORK.
- 2 ALL IRRIGATION LINES TO BE INSTALLED UNDER STAMPED CONCRETE AREAS SHALL BE INSTALLED IN SCH. 40 PVC SLEEVES. SLEEVE SIZE SHALL BE TWICE THE DIAMETER OF IRRIGATION PIPE SIZE (MIN.)
- 3 INSTALL 2" DIA P.V.C. SCH. 40 SLEEVING, EXTENDING 1' INTO DIRT AREA OF MEDIAN, 18" MIN COVER, TERMINATING IN BROOKS #3 PULLBOX OR CITY APPROVED EQUAL W/TRAFFIC COVER, AT EACH END, FOR IRRIGATION CONTROL WIRES
- 4 INSTALL 4" DIA P.V.C. SCH. 40 SLEEVING, EXTENDING 1' INTO DIRT AREA OF MEDIAN, 18" MIN COVER, TERMINATING IN BROOKS #3 PULLBOX OR CITY APPROVED EQUAL W/TRAFFIC COVER, AT EACH END, FOR IRRIGATION CONTROL WIRES
- 5 INSTALL 3" REMOTE CONTROL VALVE TO BE ACTIVATED BY CONTROLLER ONLY WHEN IRRIGATION SYSTEM IS BEING USED

**CONSTRUCTION LEGEND**

SYMBOL	DESCRIPTION	REMARKS	SYMBOL	DESCRIPTION	REMARKS
⊖	GRISWOLD 2000 REMOTE CONTROL VALVE - SIZE PER PLAN	4	⊖	RAINBIRD 1402 BUBBLER	0.50 GPM FLOOD BUBBLER, 2 PER TREE
⊕	TORO PRV15025 PRESSURE REGULATOR 7-40 GPM - 25 PSI	SIZE PER PLAN	⊕	RAINBIRD T-12-PC-130-1.3 ROTOR SPRINKLER	30'R 1.30 GPM FULL CIRCLE
⊖	NIBCO T-113 GATE VALVE	1	⊕	RAINBIRD T-12-PC-130-1.3 ROTOR SPRINKLER	30'R 1.30 GPM PART CIRCLE, ADJUSTED TO 180°
⊖	RAINBIRD RCM-18B CONTROLLER (18 STATION)	6	⊕	RAINBIRD T-12-PC-130-1.3 ROTOR SPRINKLER	30'R 1.30 GPM PART CIRCLE, ADJUSTED TO 90°
---	PRESSURE MAINLINE PVC SCH 40 - SIZE PER PLAN	SIZE PER PLAN	⊕	RAINBIRD 44NP 1" QUICK COUPLER (NON-POTABLE)	
---	NON-PRESSURE LATERAL LINE PVC CL200	SIZE PER PLAN			
---	PVC PIPE & WIRE SLEEVE - SIZE PER PLAN OR 2X PIPE DIA	SIZE PER PLAN			
---	UF DIRECT BURIAL CONTROL WIRE, SOLID COPPER	NOT SHOWN			
---	FEBCO B25Y R.P. BACKFLOW PREVENTER W/WILKENS	2			
---	500 YBSR PRESSURE REGULATOR/STRAINER	SIZE PER PLAN			

SEE SHEET 10 OF 10 FOR DETAILS

ENGINEER IN RESPONSIBLE CHARGE  
*Richard D. McGrath*  
 RICHARD D. MCGRATH  
 R.C.E. No. 31952 expires 12/31/2000  
 DATE 3/18/97



APPROVED BY	BY	DATE	APPROVED BY	BY	DATE
DEPUTY P.W. DIRECTOR	RT	3/19/97	PUBLIC WORKS DIRECTOR	Ray Bul	3/19/97
PRINCIPAL ENGINEER					
STREET SERVICES					
SURVEYOR					
TRAFFIC DIVISION					
PARKS DEPARTMENT					
PUBLIC UTILITIES					

CITY OF RIVERSIDE, CALIFORNIA  
 PUBLIC WORKS DEPARTMENT

IRRIGATION PLANS  
 VAN BUREN BLVD MEDIAN & URBAN FOREST  
 JURUPA AVE TO SANTA ANA RIVER  
 HORIZ. SCALE: 1" = 20'

AS BUILT 7/2/98 EVM  
 ACCT. NO. 230-541500-440223-30290  
 R-3453  
 SHEET 7 OF 10

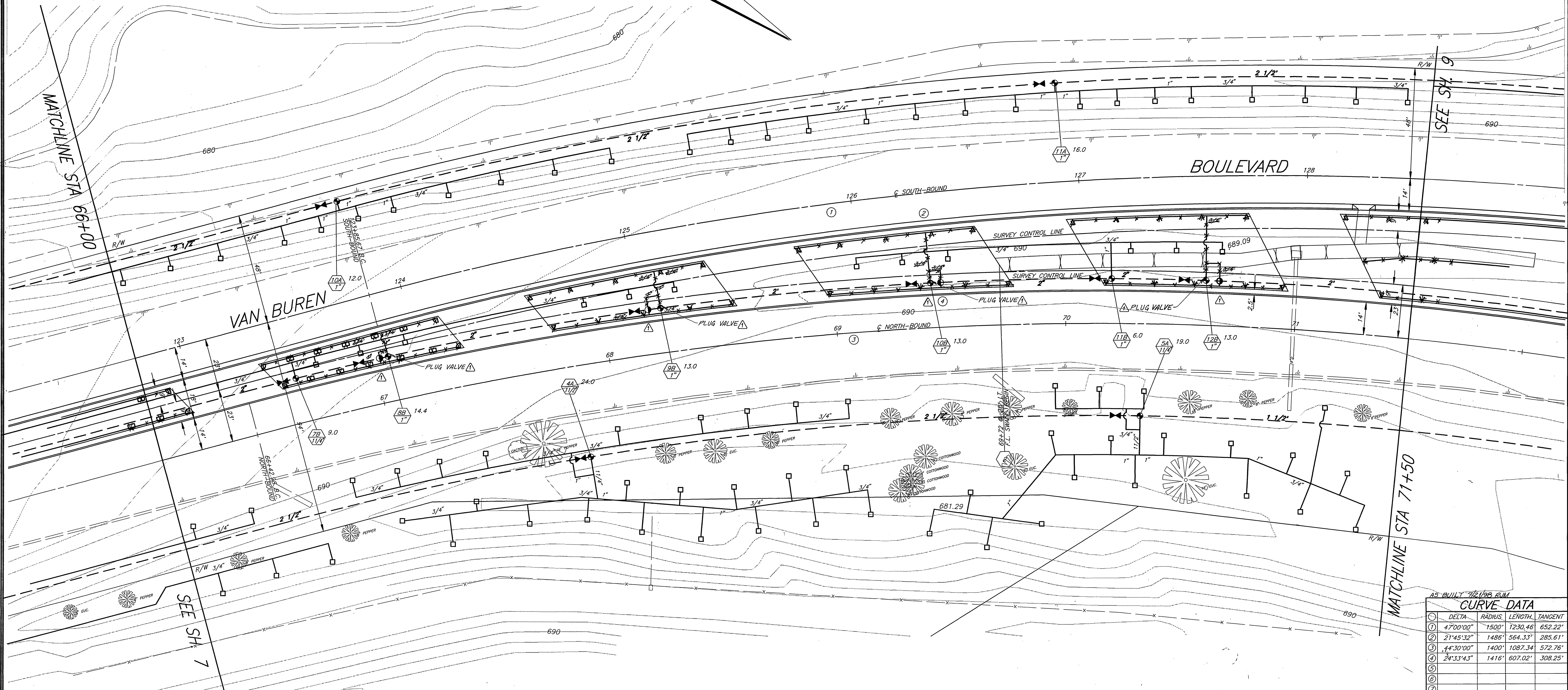
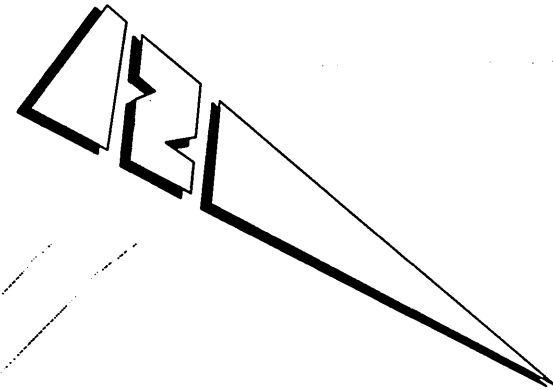


IRRIGATION LEGEND			
SYMBOL	DESCRIPTION	DETAIL	REMARKS
○	GRISWOLD 2000 REMOTE CONTROL VALVE - SIZE PER PLAN	4	SIZE PER PLAN
●	TORO PRV15025 PRESSURE REGULATOR 7-40 GPM - 25 PSI	1	SIZE PER PLAN
⊠	NIBCO T-113 GATE VALVE	1	LINE SIZED
⊠	RAINBIRD RCM-18B CONTROLLER (18 STATION)	6	2 REQUIRED
---	PRESSURE MAINLINE PVC SCH 40 - SIZE PER PLAN		SIZE PER PLAN
---	NON-PRESSURE LATERAL LINE PVC CL200		SIZE PER PLAN
---	PVC PIPE & WIRE SLEEVE - SIZE PER PLAN OR 2X PIPE DIA		SIZE PER PLAN
---	UF DIRECT BURIAL CONTROL WIRE, SOLID COPPER		NOT SHOWN
⊠	FEBCO 825Y R.P. BACKFLOW PREVENTER W/WILKENS	2	SIZE PER PLAN
⊠	500 YBSR PRESSURE REGULATOR/STRAINER		SIZE PER PLAN
SYMBOL	DESCRIPTION	REMARKS	
○	RAINBIRD 1402 BUBBLER	0.50 GPM FLOOD BUBBLER, 2 PER TREE	
⊠	RAINBIRD T 12 PS 130 1.3 ROTOR SPRINKLER 30W 1.30 GPM	FULL CIRCLE	
⊠	RAINBIRD T 12 PS 130 1.3 ROTOR SPRINKLER 30W 1.30 GPM	PART CIRCLE ADJUSTED TO 180°	
⊠	RAINBIRD T 12 PS 130 1.3 ROTOR SPRINKLER 30W 1.30 GPM	PART CIRCLE ADJUSTED TO 90°	
⊠	RAINBIRD 1012 1/2" 90° 1/2" SPRAW SPRINKLER 6W 0.80 GPM		
⊠	RAINBIRD 1012 1/2" 90° 1/2" SPRAW SPRINKLER 6W 0.80 GPM		
⊠	RAINBIRD 1012 1/2" 90° 1/2" SPRAW SPRINKLER 6W 0.80 GPM		
⊠	RAINBIRD 44NP 1" QUICK COUPLER (NON-POTABLE)		

SEE SHEET 10 OF 10 FOR DETAILS

**CONSTRUCTION NOTES**

- REFER TO SECTION 7-10 OF THE SPECIAL PROVISIONS FOR TRAFFIC CONTROL AND LANE CLOSURES FOR SPECIFIC ITEMS OF WORK.
- ALL IRRIGATION LINES TO BE INSTALLED UNDER STAMPED CONCRETE AREAS SHALL BE INSTALLED IN SCH 40 PVC SLEEVES. SLEEVE SIZE SHALL BE TWICE THE DIAMETER OF IRRIGATION PIPE SIZE (MIN).



AS BUILT RIVERS EJM

CURVE DATA			
①	DELTA	RADIUS	LENGTH
①	47°00'00"	1500'	1230.46'
②	21°45'32"	1480'	564.33'
③	44°30'00"	1400'	1087.34'
④	24°33'43"	1416'	607.02'
⑤			
⑥			
⑦			

ENGINEER IN RESPONSIBLE CHARGE  
**Richard D. McGrath**  
 RICHARD D. McGRATH  
 R.C.E. No. 31952 expires 12/31/2000  
 DATE 3/10/97



Removed Spray Rotor Sprinklers and Associated Laterals from Medians. Added Quick Couplers.

MARK REVISIONS APPR. DATE

DESIGNED BY: CURT DRAWN BY: CURT CHECKED BY:

CITY OF RIVERSIDE, CALIFORNIA  
 PUBLIC WORKS DEPARTMENT

APPROVED BY: [Signature] DATE: 3/17/97

DEPUTY P.W. DIRECTOR: [Signature] DATE: 3/17/97

PRINCIPAL ENGINEER: [Signature] DATE: 3/17/97

STREET SERVICES SURVEYOR: [Signature] DATE: 3/17/97

TRAFFIC DIVISION: [Signature] DATE: 3/17/97

PARKS DEPARTMENT: [Signature] DATE: 3/17/97

PUBLIC UTILITIES: [Signature] DATE: 3/17/97

IRRIGATION PLANS  
 VAN BUREN BLVD MEDIAN & URBAN FOREST  
 JURUPA AVE TO SANTA ANA RIVER

ACCT. NO. 230-541500-440223-30290

R-3453

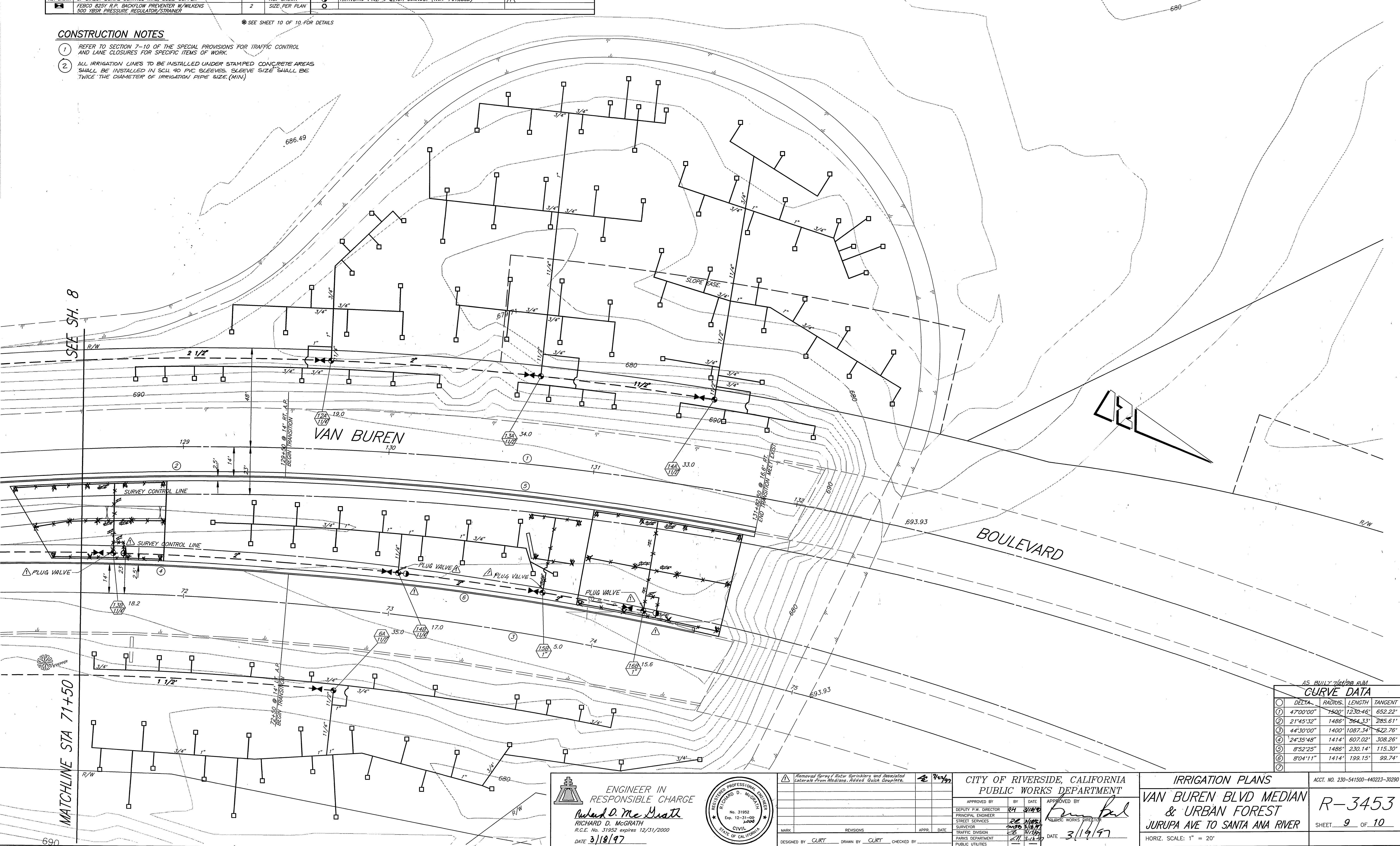
SHEET 8 OF 10

HORIZ. SCALE: 1" = 20'



IRRIGATION LEGEND			
SYMBOL	DESCRIPTION	DETAIL	REMARKS
[Symbol]	GRSWOLD 2000 REMOTE CONTROL VALVE - SIZE PER PLAN	4	SIZE PER PLAN
[Symbol]	TORO PAV15023 PRESSURE REGULATOR 7-40 GPM - 25 PSI	1	SIZE PER PLAN
[Symbol]	MIICO 7-1112 GATE VALVE	1	LINE SIZED
[Symbol]	RAINBIRD RCM-18B CONTROLLER (18 STATION)	6	2 REQUIRED
[Symbol]	PRESSURE MAINLINE PVC SCH 40 - SIZE PER PLAN		SIZE PER PLAN
[Symbol]	NON-PRESSURE LATERAL LINE PVC CL200		SIZE PER PLAN
[Symbol]	PVC PIPE & WIRE SLEEVE - SIZE PER PLAN OR 2X PIPE DIA		SIZE PER PLAN
[Symbol]	UF DIRECT BURIAL CONTROL WIRE, SOLID COPPER	NOT SHOWN	NOT SHOWN
[Symbol]	FEBCO 435Y R.P. BACKFLOW PREVENTER W/ WILKENS 300 YBSR PRESSURE REGULATORY STRAINER	2	SIZE PER PLAN
[Symbol]	RAINBIRD 140Z BUBBLER	0.50 GPM	FLOOD BUBBLER, 2 PER TREE
[Symbol]	RAINBIRD T-14-P-150-1-3 ROTOR SPRINKLER	3.00-1.50 GPM	3/4" SLOPE
[Symbol]	RAINBIRD T-14-P-150-1-3 ROTOR SPRINKLER	3.00-1.50 GPM	3/4" SLOPE
[Symbol]	RAINBIRD T-14-P-150-1-3 ROTOR SPRINKLER	3.00-1.50 GPM	3/4" SLOPE
[Symbol]	RAINBIRD T-14-P-150-1-3 ROTOR SPRINKLER	3.00-1.50 GPM	3/4" SLOPE
[Symbol]	RAINBIRD 1012-MR-08-PT SPRAY SPRINKLER	3.00-1.50 GPM	
[Symbol]	RAINBIRD 1012-MR-08-PT SPRAY SPRINKLER	3.00-1.50 GPM	
[Symbol]	RAINBIRD 1012-MR-08-PT SPRAY SPRINKLER	3.00-1.50 GPM	
[Symbol]	RAINBIRD 1012-MR-08-PT SPRAY SPRINKLER	3.00-1.50 GPM	
[Symbol]	RAINBIRD 44-NIP T-QUICK CONNECT (NON-POTABLE)		

- CONSTRUCTION NOTES**
- 1 REFER TO SECTION 7-10 OF THE SPECIAL PROVISIONS FOR TRAFFIC CONTROL AND LANE CLOSURES FOR SPECIFIC ITEMS OF WORK.
  - 2 ALL IRRIGATION LINES TO BE INSTALLED UNDER STAMPED CONCRETE AREAS SHALL BE INSTALLED IN SCH. 40 PVC SLEEVES. SLEEVE SIZE SHALL BE TWICE THE DIAMETER OF IRRIGATION PIPE SIZE. (MIN.)



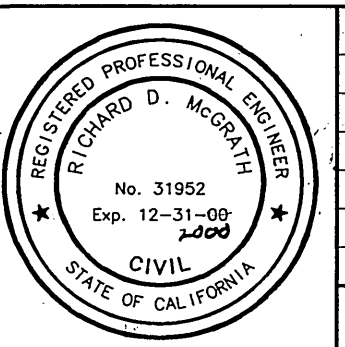
SEE SH. 8

MATCHLINE STA 71+50

AS BUILT 7/21/99 RUM

CURVE DATA				
	DELTA	RADIUS	LENGTH	TANGENT
①	47°00'00"	7500'	1230.46'	652.22'
②	21°45'32"	1486'	364.33'	285.61'
③	44°30'00"	1400'	1087.34'	822.76'
④	24°35'48"	1414'	607.02'	308.26'
⑤	8°52'25"	1486'	230.14'	115.30'
⑥	8°04'11"	1414'	199.15'	99.74'

**ENGINEER IN RESPONSIBLE CHARGE**  
 Richard D. McGrath  
 RICHARD D. McGRATH  
 R.C.E. No. 31952 expires 12/31/2000  
 DATE 3/18/97

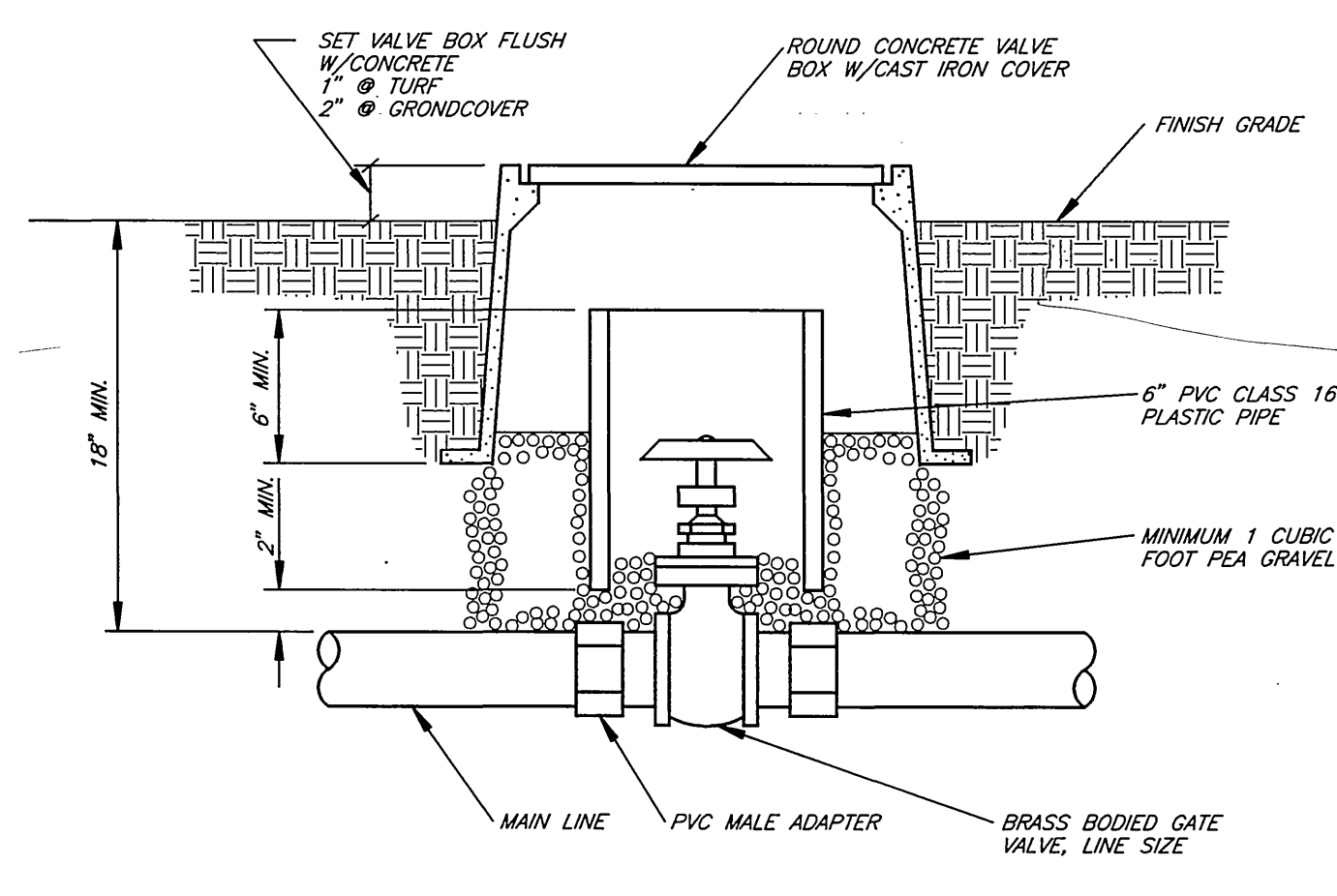


Removed Sprinkler and Associated Laterals from Medians, Added Quick Couplers. 3/19/97  
 CITY OF RIVERSIDE, CALIFORNIA  
 PUBLIC WORKS DEPARTMENT  
 APPROVED BY: [Signature] DATE: 3/19/97  
 DESIGNER BY: CJRT DRAWN BY: CJRT CHECKED BY:

APPROVED BY: [Signature] DATE: 3/19/97  
 DEPUTY P.W. DIRECTOR  
 PRINCIPAL ENGINEER  
 STREET SERVICES  
 SURVEYOR  
 TRAFFIC DIVISION  
 PARKS DEPARTMENT  
 PUBLIC UTILITIES

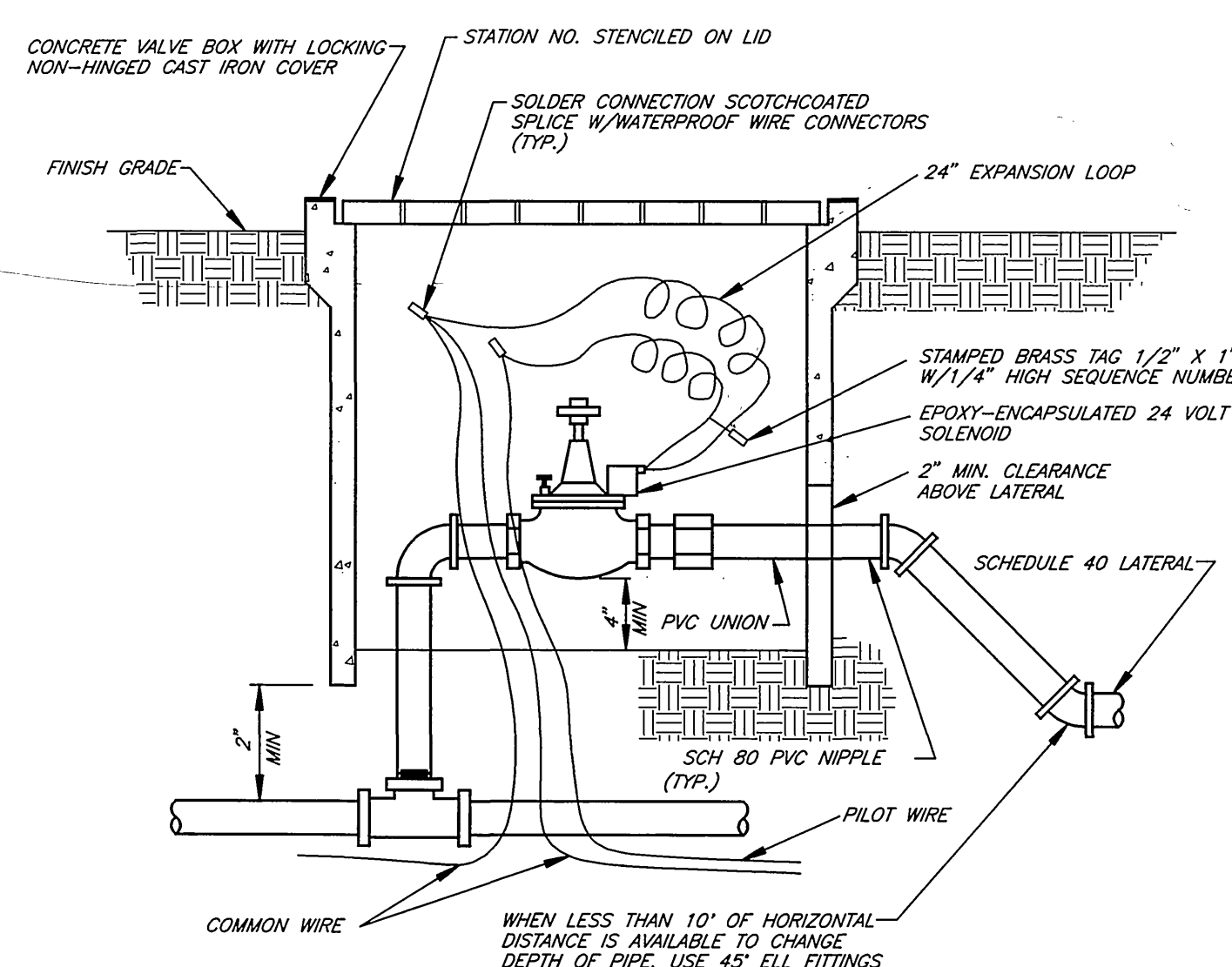
**IRRIGATION PLANS**  
 VAN BUREN BLVD MEDIAN & URBAN FOREST  
 JURUPA AVE TO SANTA ANA RIVER  
 ACCT. NO. 230-541500-440223-30290  
 R-3453  
 SHEET 9 OF 10  
 HORIZ. SCALE: 1" = 20'  
 INDEXED 11-13-97 LFH



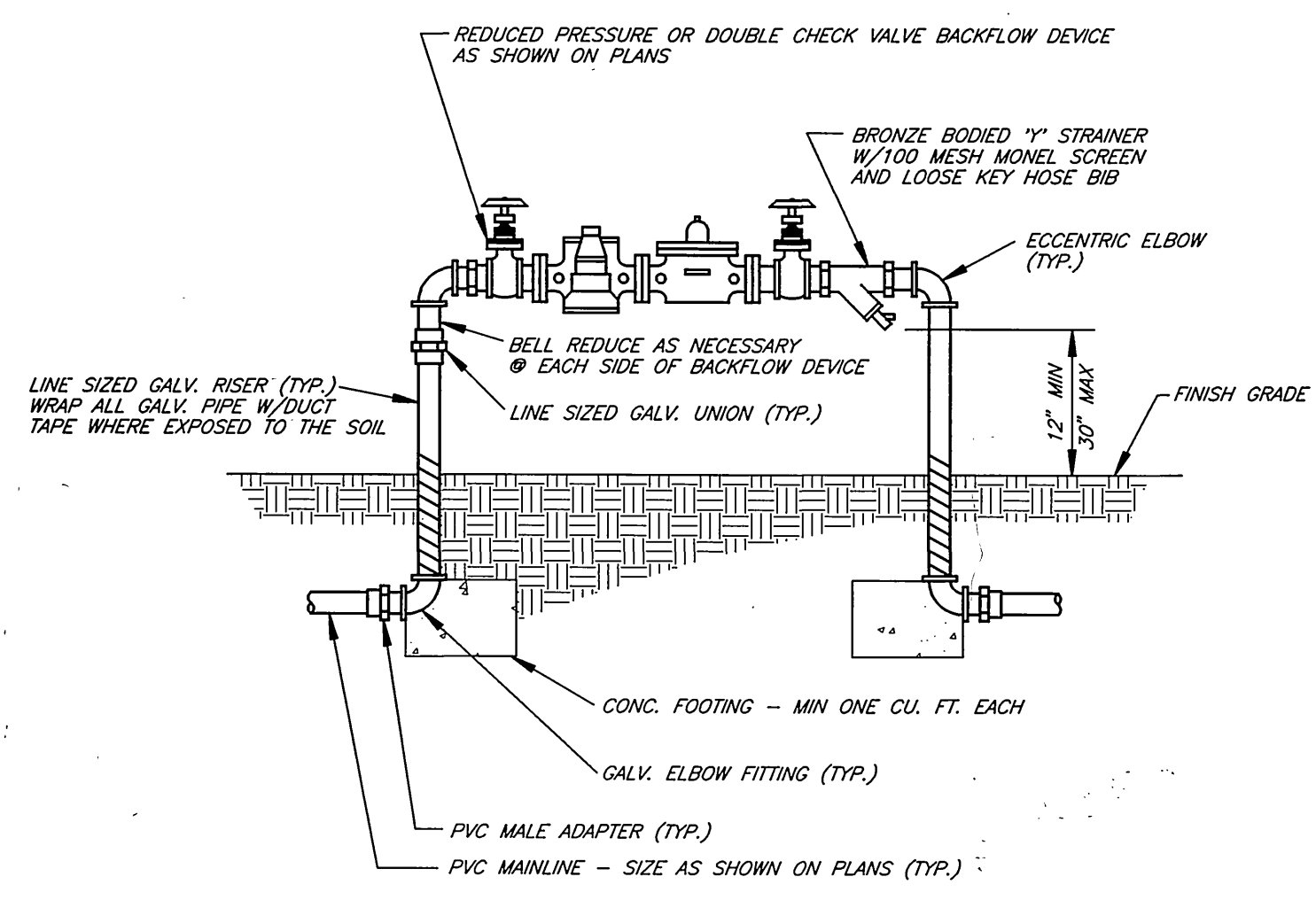


**1 TYPICAL GATE VALVE ASSEMBLY**  
NO SCALE

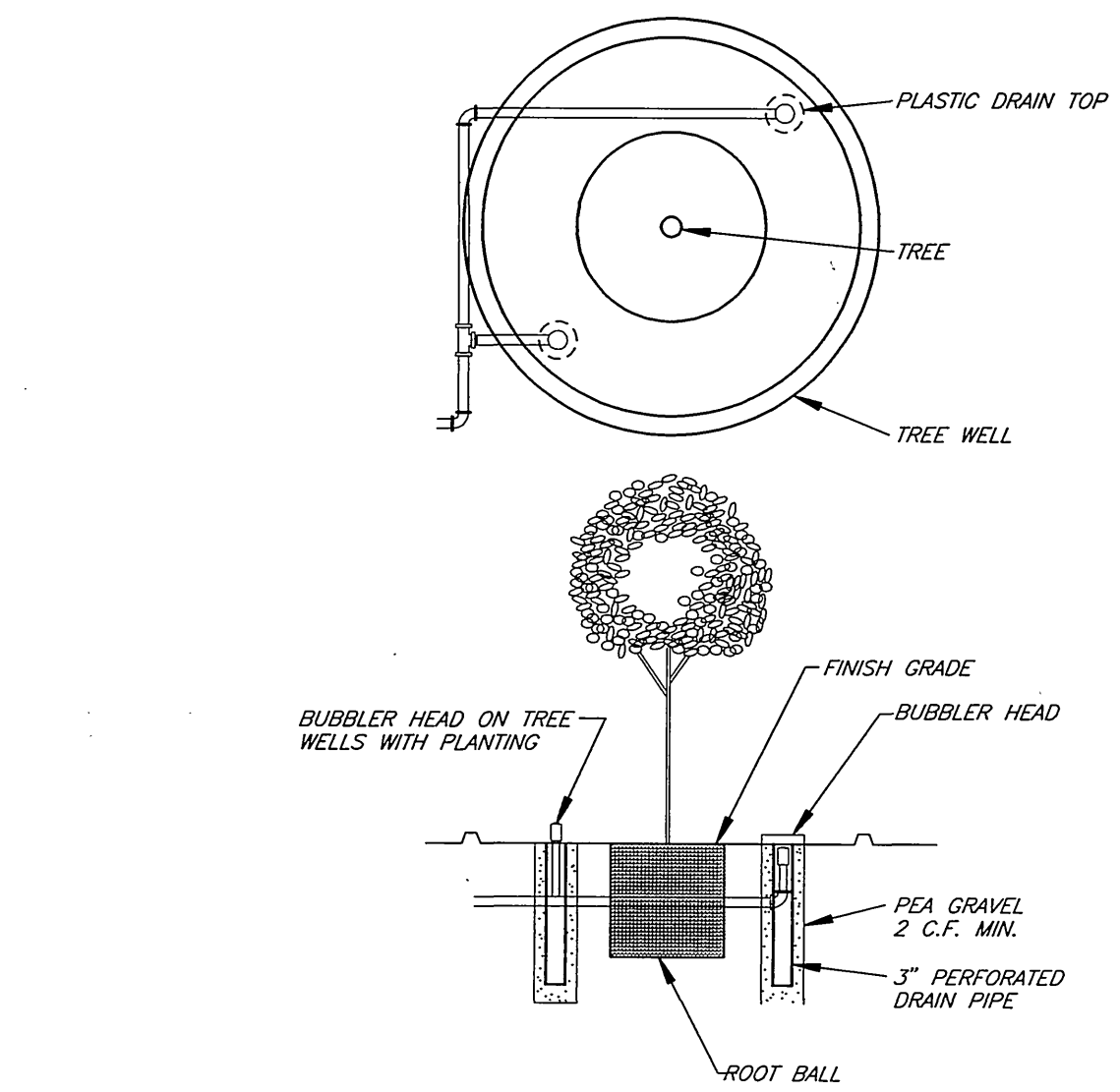
- NOTES**
- 1) INSTALL BACKFLOW DEVICE SQUARE WITH HARDSCAPE ELEMENT AS APPROVED BY THE PARK PROJECTS INSPECTOR IN THE FIELD
  - 2) MODIFY HANDWHEELS AS DIRECTED OR REMOVE & TURN OVER TO PARKS PROJECTS INSPECTOR AT FINAL INSPECTION



**4 TYPICAL AUTOMATIC VALVE**  
NO SCALE

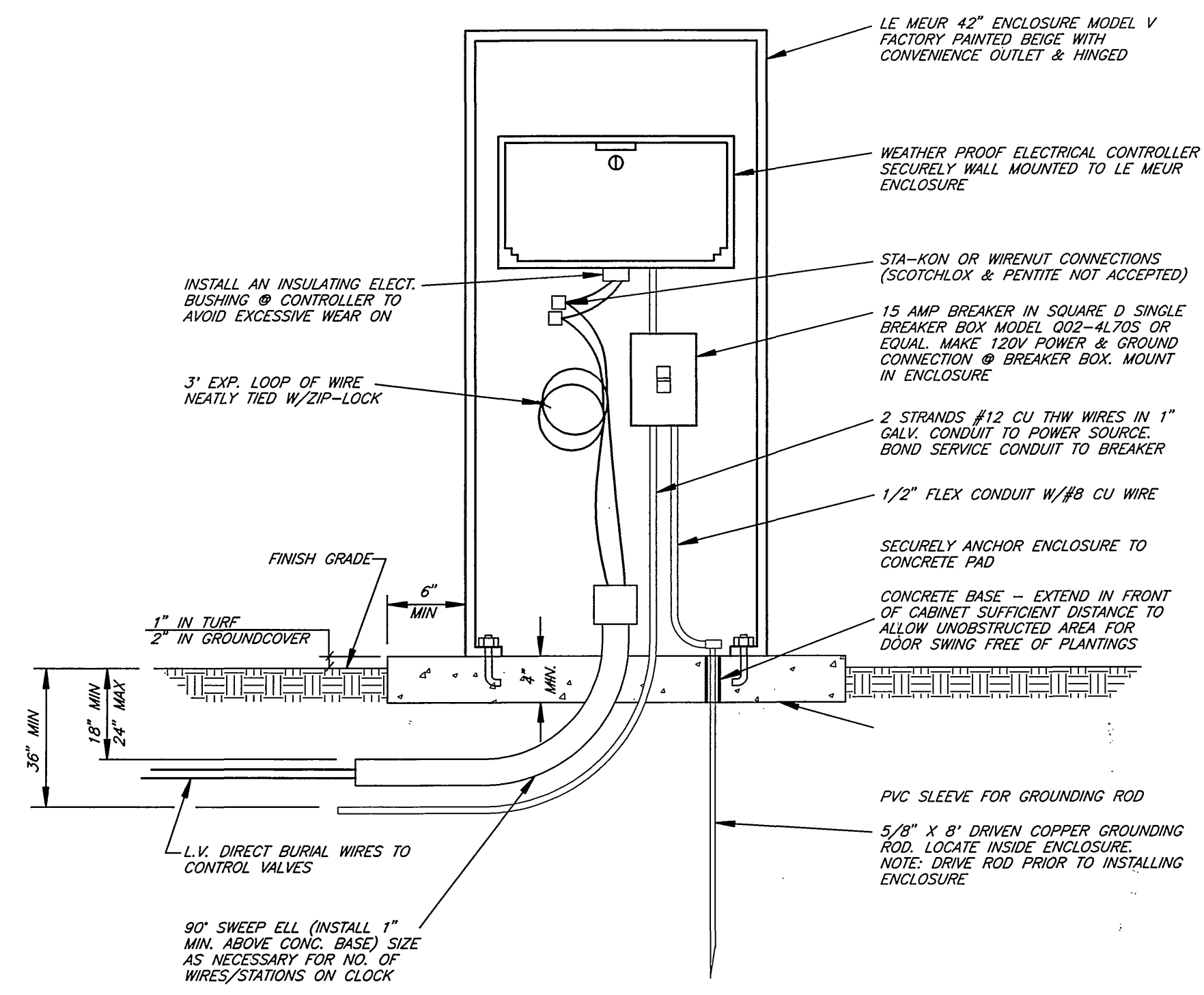


**2 TYPICAL BACKFLOW DEVICE**  
NO SCALE

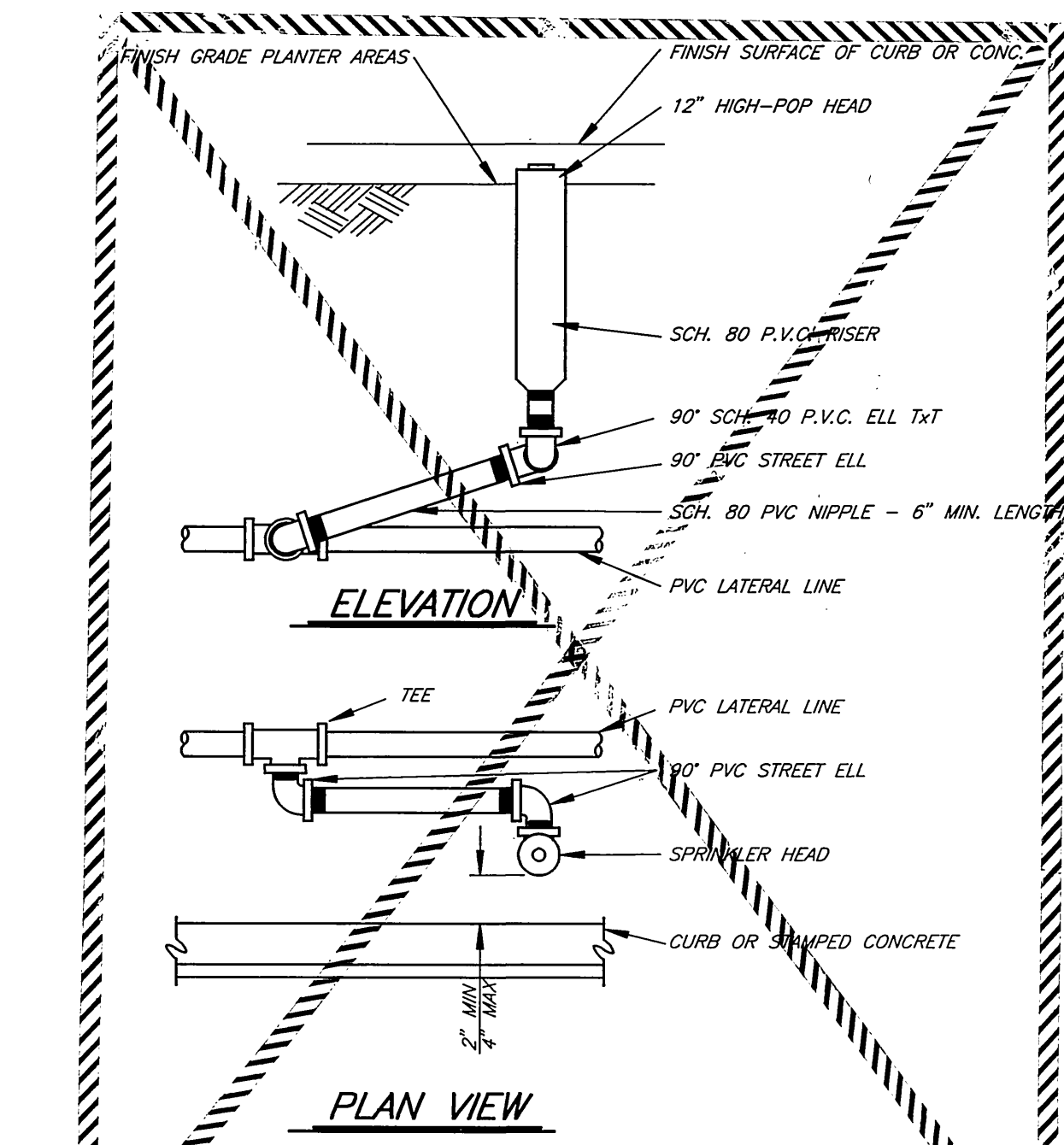


**3 TYPICAL TREE WELL IRRIGATION ASSEMBLY**  
NO SCALE

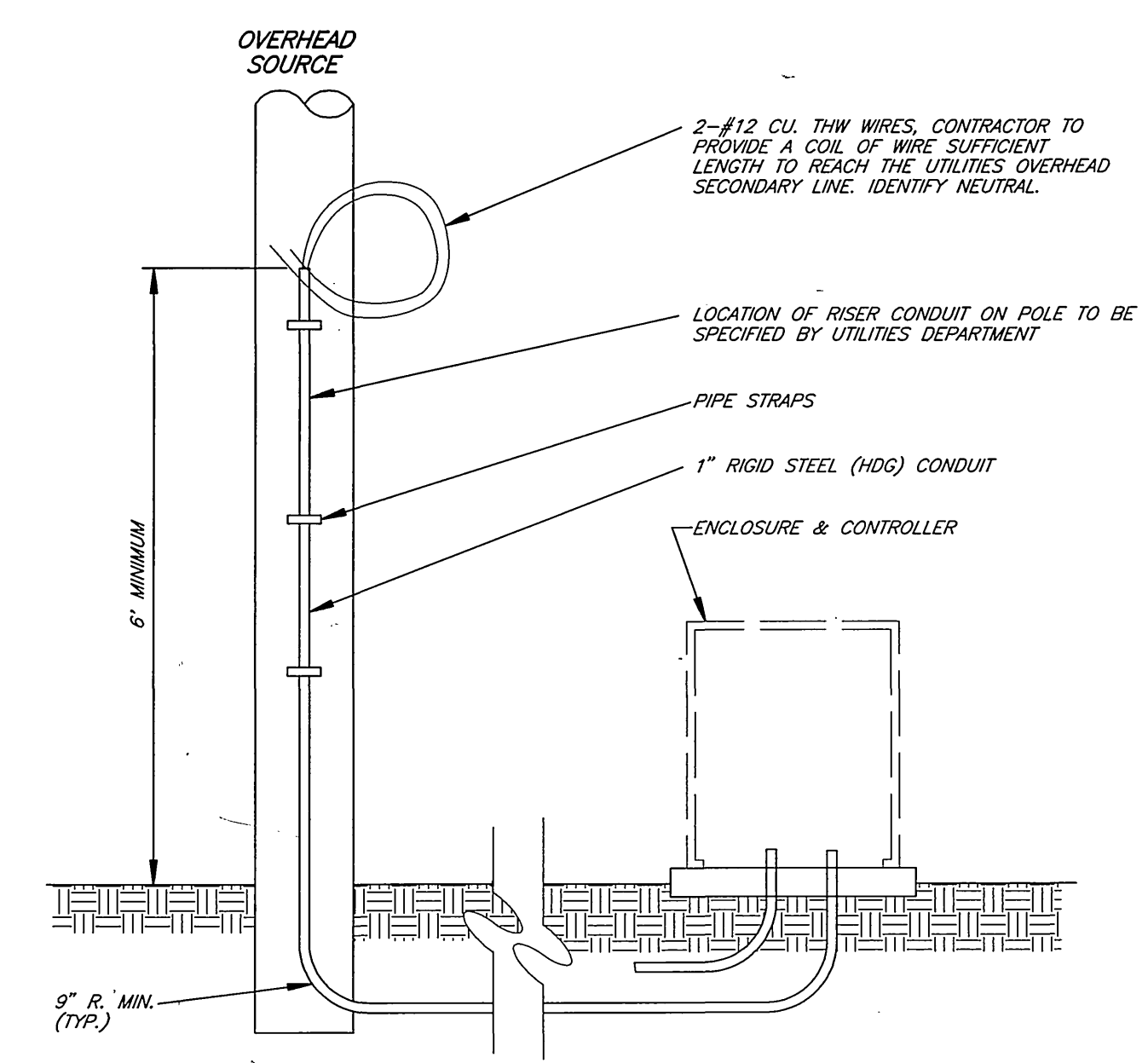
- NOTES**
- 1) EACH VALVE SHALL HAVE ITS OWN TEE OR ELL CONNECTION TO THE MAINLINE. NO MANIFOLD CONNECTIONS
  - 2) PROVIDE MINIMUM 3' CLEAR DISTANCE BETWEEN VALVES
  - 3) INSTALL VALVE BOX IN A MANNER THAT DOES NOT REST ON ANY IRRIGATION LINE



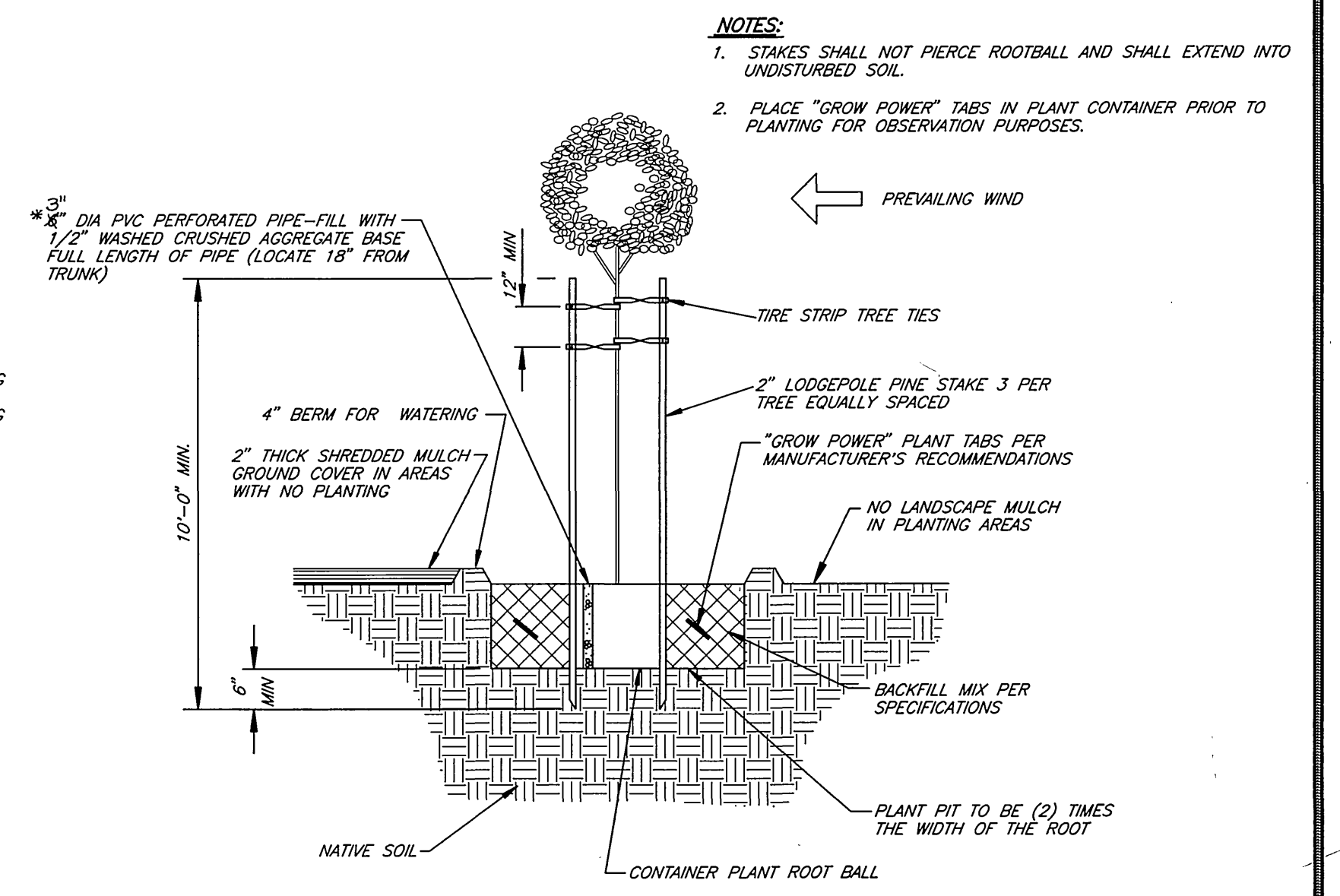
**6 TYPICAL CONTROLLER**  
NO SCALE



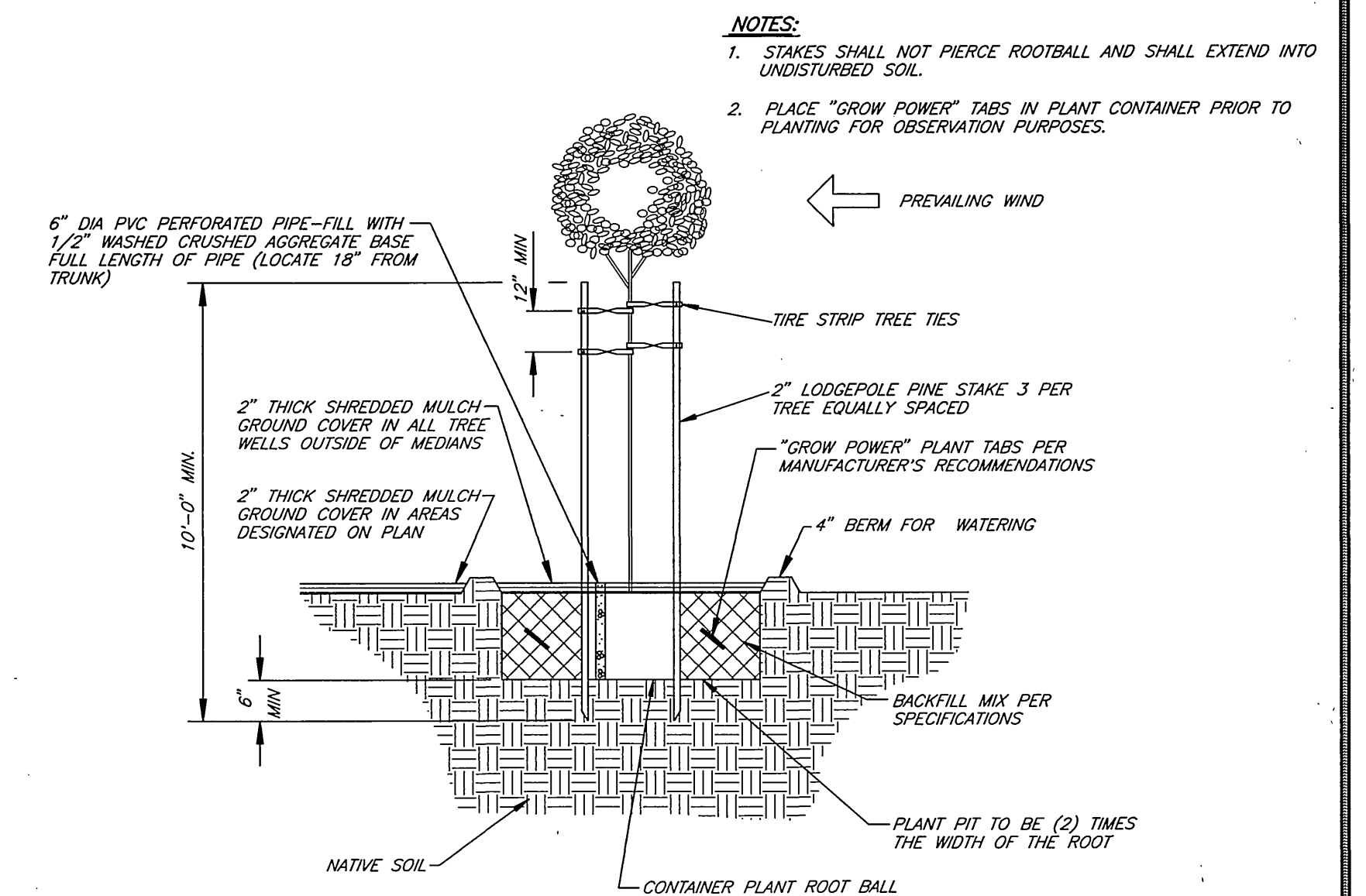
**5 TYPICAL SPRAY HEAD ASSEMBLY**



**7 TYPICAL ELECTRIC CONNECTION**  
NO SCALE

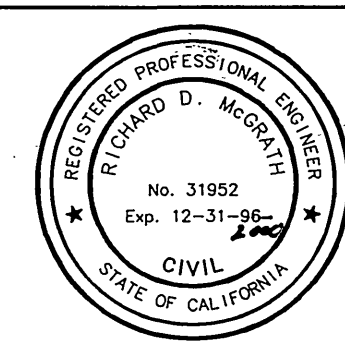


**8 MEDIAN TREE PLANTING/STAKING DETAIL**  
NO SCALE



**9 TREE PLANTING/STAKING DETAIL OUTSIDE MEDIAN**  
NO SCALE

ENGINEER IN RESPONSIBLE CHARGE  
*Richard D. McGrath*  
RICHARD D. McGRATH  
R.C.E. No. 31952 expires 12/31/2000  
DATE 3/10/97



Removed Detail 5 (Spray Head Assembly)	3/9/97
MARK	REVISIONS
APPR.	DATE
DESIGNED BY	CURT
DRAWN BY	CURT
CHECKED BY	

CITY OF RIVERSIDE, CALIFORNIA PUBLIC WORKS DEPARTMENT	
APPROVED BY	DATE
DEPUTY P.W. DIRECTOR	3/19/97
PRINCIPAL ENGINEER	
STREET SERVICES	3/19/97
SURVEYOR	3/19/97
TRAFFIC DIVISION	3/19/97
PARKS DEPARTMENT	3/19/97
PUBLIC UTILITIES	3/19/97

IRRIGATION AND PLANTING DETAILS		AS BUILT 7/6/98 BMM
VAN BUREN BLVD MEDIAN & URBAN FOREST		ACC. NO. 230-541500-440223-30290
JURUPA AVE TO SANTA ANA RIVER		R-3453
		SHEET 10 OF 10

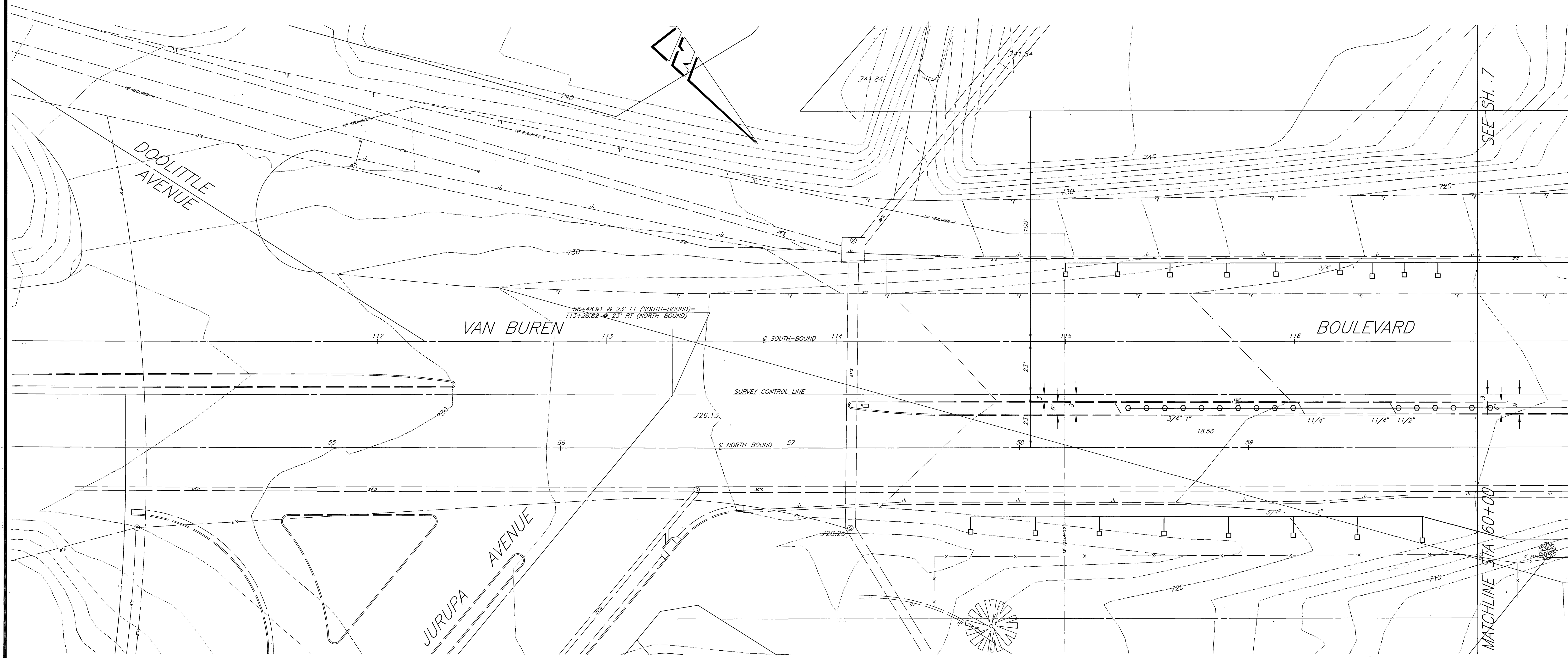


IRRIGATION LEGEND						
SYMBOL	DESCRIPTION	*DETAIL	REMARKS	SYMBOL	DESCRIPTION	REMARKS
●	GRISWOLD 2000 REMOTE CONTROL VALVE - SIZE PER PLAN	4	SIZE PER PLAN	□	RAINBIRD 1402 BUBBLER	0.50 GPM FLOOD BUBBLER, 2 PER TREE
●	TORO PRV15025 PRESSURE REGULATOR 7-40 GPM - 25 PSI		SIZE PER PLAN	⊗	RAINBIRD 7-12-PC-130-1.3 ROTOR SPRINKLER 30"R 1.30 GPM	FULL CIRCLE
⊗	NIBCO 7-11.3 GATE VALVE	1	LINE SIZED	⊗	RAINBIRD 7-12-PC-130-1.3 ROTOR SPRINKLER 30"R 1.30 GPM	PART CIRCLE, ADJUSTED TO 100°
⊗	RAINBIRD RCW-188 CONTROLLER (18 STATION)	6	2 REQUIRED	⊗	RAINBIRD 7-12-PC-130-1.3 ROTOR SPRINKLER 30"R 1.30 GPM	PART CIRCLE, ADJUSTED TO 90°
⊗	RAINBIRD 444P 1" QUICK COUPLER (NON-POTABLE)	4	SIZE PER PLAN	⊗	RAINBIRD 1012-MPR-80-FLY-SPRAY-SPRINKLER 3/4" 0.72 GPM	
---	PRESSURE MAINLINE PVC SCH 40 - SIZE PER PLAN		SIZE PER PLAN	⊗	RAINBIRD 1012-MPR-80-FLY-SPRAY-SPRINKLER 3/4" 0.36 GPM	
---	NON-PRESSURE LATERAL LINE PVC CL200		SIZE PER PLAN	⊗	RAINBIRD 1012-MPR-120-SPRAY-SPRINKLER 12"R 1.20 GPM	
---	PVC PIPE & WIRE SLEEVE - SIZE PER PLAN OR 2X PIPE DIA		SIZE PER PLAN	⊗	RAINBIRD 1012-MPR-120-SPRAY-SPRINKLER 12"R 0.60 GPM	
---	NOT SHOWN		NOT SHOWN	○	RAINBIRD XERI-BIRD-8 MULTI-OUTLET EMISSION DEVICE XBD-80	
---	UF DIRECT BURIAL CONTROL WIRE, SOLID COPPER		NOT SHOWN	○	W/100' 1/4" VINYL TUBING, (8) BUG CAPS (DBC-025), (8) 1/4" TUBING STAKES (TS-025) & SUBTERRANEAN EMITTER BOX (SEB-8X)	
---	FEBCO 825Y R.P. BACKFLOW PREVENTER W/WILKENS	2	SIZE PER PLAN			
---	500 YBSR PRESSURE REGULATOR/STRAINER		SIZE PER PLAN			

\* SEE SHEET 10 OF 10 FOR DETAILS

**CONSTRUCTION NOTES**

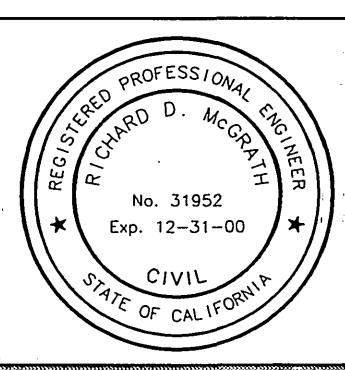
- 1 REFER TO SECTION 7-10 OF THE SPECIAL PROVISIONS FOR TRAFFIC CONTROL AND LANE CLOSURES FOR SPECIFIC ITEMS OF WORK.



SEE SH. 7

MATCHLINE STA 60+00

ENGINEER IN RESPONSIBLE CHARGE  
*Richard D. McGrath*  
 RICHARD D. McGRATH  
 R.C.E. No. 31952 expires 12/31/2000  
 DATE July 1, 1997



MARK	REVISIONS	APPR.	DATE

CITY OF RIVERSIDE, CALIFORNIA  
 PUBLIC WORKS DEPARTMENT

APPROVED BY	BY	DATE	APPROVED BY
DEPUTY P.W. DIRECTOR	<i>Mac</i>	7/1/97	<i>Dan</i>
PRINCIPAL ENGINEER	<i>Mac</i>	7/1/97	<i>Dan</i>
STREET SERVICES			
SURVEYOR			
TRAFFIC DIVISION			
PARKS DEPARTMENT			
PUBLIC UTILITIES			

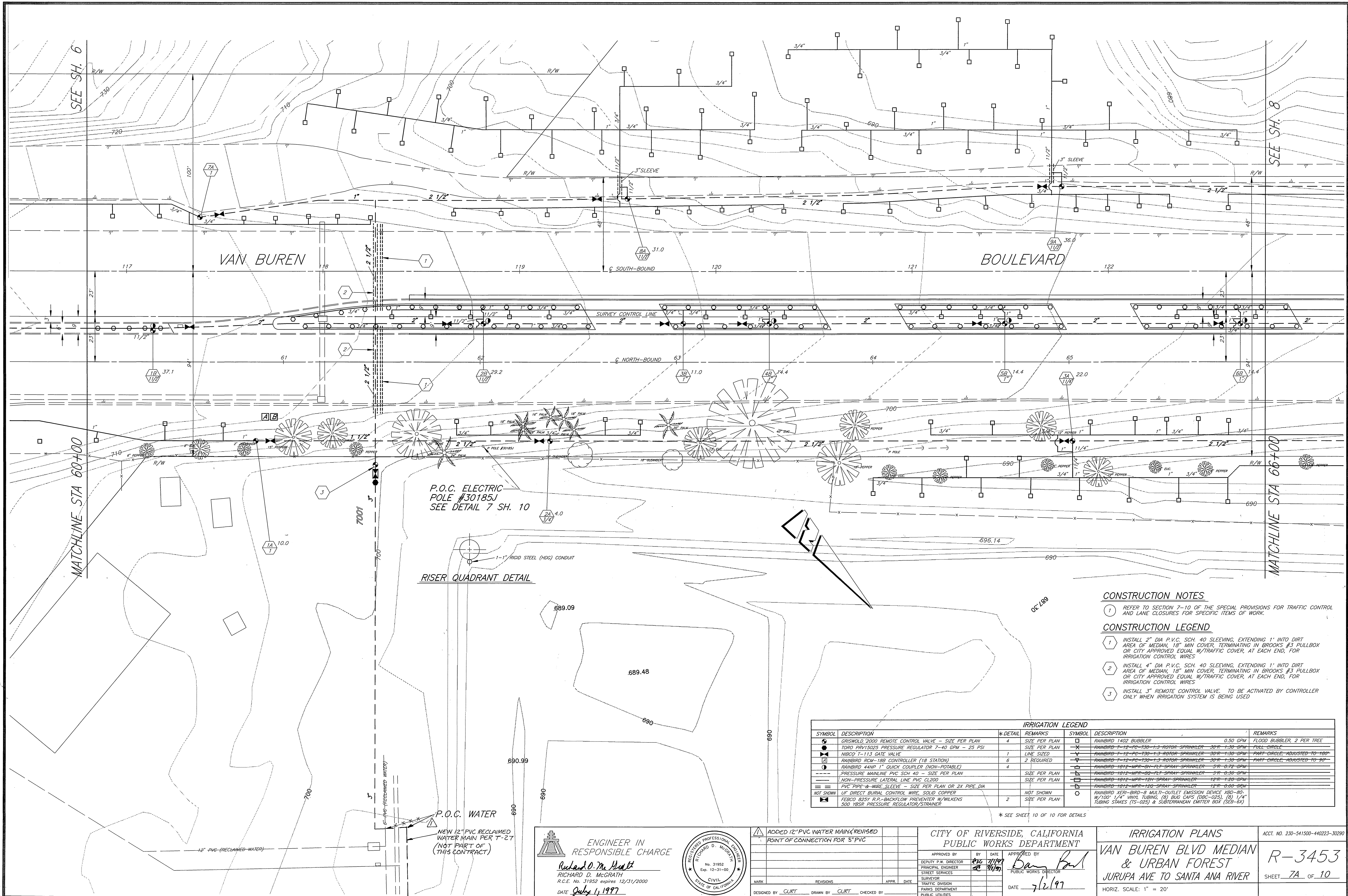
DATE 7/2/97

IRRIGATION PLANS  
 VAN BUREN BLVD MEDIAN  
 & URBAN FOREST  
 JURUPA AVE TO SANTA ANA RIVER

ACCT. NO. 230-541500-440223-30290  
 R-3453  
 SHEET 6A OF 10

INDEXED 11-13-97 lph





SEE SH. 6

SEE SH. 8

MATCHLINE STA 66+00

MATCHLINE STA 66+700

VAN BUREN

BOULEVARD

P.O.C. ELECTRIC POLE #30185J SEE DETAIL 7 SH. 10

RISER QUADRANT DETAIL

P.O.C. WATER  
NEW 12" PVC RECLAIMED WATER MAIN PER T-27 (NOT PART OF THIS CONTRACT)

**CONSTRUCTION NOTES**  
 1 REFER TO SECTION 7-10 OF THE SPECIAL PROVISIONS FOR TRAFFIC CONTROL AND LANE CLOSURES FOR SPECIFIC ITEMS OF WORK.

**CONSTRUCTION LEGEND**  
 1 INSTALL 2" DIA P.V.C. SCH. 40 SLEEVING, EXTENDING 1' INTO DIRT AREA OF MEDIAN, 18" MIN COVER, TERMINATING IN BROOKS #3 PULLBOX OR CITY APPROVED EQUAL W/TRAFFIC COVER, AT EACH END, FOR IRRIGATION CONTROL WIRES  
 2 INSTALL 4" DIA P.V.C. SCH. 40 SLEEVING, EXTENDING 1' INTO DIRT AREA OF MEDIAN, 18" MIN COVER, TERMINATING IN BROOKS #3 PULLBOX OR CITY APPROVED EQUAL W/TRAFFIC COVER, AT EACH END, FOR IRRIGATION CONTROL WIRES  
 3 INSTALL 3" REMOTE CONTROL VALVE. TO BE ACTIVATED BY CONTROLLER ONLY WHEN IRRIGATION SYSTEM IS BEING USED

SYMBOL	DESCRIPTION	*DETAIL	REMARKS	SYMBOL	DESCRIPTION	REMARKS
⊙	GRISWOLD 2000 REMOTE CONTROL VALVE - SIZE PER PLAN	4	SIZE PER PLAN	⊠	RAINBIRD 1402 BUBBLER	0.50 GPM FLOOD BUBBLER, 2 PER TREE
⊙	TORO PRV15025 PRESSURE REGULATOR 7-40 GPM - 25 PSI		SIZE PER PLAN	⊠	RAINBIRD 7-12-PC-130-1-3 ROTOR SPRINKLER	30R 1-30 GPM PULC CIRCLE
⊙	WBCO T-113 GATE VALVE	1	LINE SIZED	⊠	RAINBIRD 7-12-PC-130-1-3 ROTOR SPRINKLER	30R 1-30 GPM PART CIRCLE, ADJUSTED TO 180°
⊙	RAINBIRD RCM-188 CONTROLLER (18 STATION)	6	2 REQUIRED	⊠	RAINBIRD 7-12-PC-130-1-3 ROTOR SPRINKLER	30R 1-30 GPM PART CIRCLE, ADJUSTED TO 90°
⊙	RAINBIRD 44NP 1" QUICK COUPLER (NON-POTABLE)	4	SIZE PER PLAN	⊠	RAINBIRD 1012-MPR-05-FT SPRAY SPRINKLER	5R 0-72 GPM
⊙	PRESSURE MAINLINE PVC SCH 40 - SIZE PER PLAN		SIZE PER PLAN	⊠	RAINBIRD 1012-MPR-05-FT SPRAY SPRINKLER	5R 0-30 GPM
⊙	NON-PRESSURE LATERAL LINE PVC CL200		SIZE PER PLAN	⊠	RAINBIRD 1012-MPR-120 SPRAY SPRINKLER	12R 1-20 GPM
⊙	PVC PIPE & WIRE SLEEVE - SIZE PER PLAN OR 2X PIPE DIA		SIZE PER PLAN	⊠	RAINBIRD 1012-MPR-120 SPRAY SPRINKLER	12R 0-60 GPM
⊙	UF DIRECT BURIAL CONTROL WIRE, SOLID COPPER		NOT SHOWN	⊠	RAINBIRD XERI-BIRD-8 MULTI-OUTLET EMISSION DEVICE XBD-80, W/100' 1/4" WHITE TUBING (8) BUB CAPS (08C-025), (8) 1/4" TUBING STAKES (TS-025) & SUBTERRANEAN EMITTER BOX (SEB-6X)	
⊙	FEBCO B25Y R.P.-BACKFLOW PREVENTER W/WILKENS 500 YBSR PRESSURE REGULATOR/STRAINER	2	SIZE PER PLAN			

\* SEE SHEET 10 OF 10 FOR DETAILS

ENGINEER IN RESPONSIBLE CHARGE  
 Richard D. McGrath  
 RICHARD D. McGRATH  
 R.C.E. No. 31952 expires 12/31/2000  
 DATE July 1, 1997

REGISTERED PROFESSIONAL ENGINEER  
 RICHARD D. McGRATH  
 No. 31952  
 Exp. 12-31-00  
 CIVIL  
 STATE OF CALIFORNIA

CITY OF RIVERSIDE, CALIFORNIA  
 PUBLIC WORKS DEPARTMENT

APPROVED BY: [Signature]  
 DEPUTY P.W. DIRECTOR  
 PRINCIPAL ENGINEER  
 STREET SERVICES  
 SURVEYOR  
 TRAFFIC DIVISION  
 PARKS DEPARTMENT  
 PUBLIC UTILITIES

DATE 7/2/97

IRRIGATION PLANS  
 VAN BUREN BLVD MEDIAN & URBAN FOREST  
 JURUPA AVE TO SANTA ANA RIVER

ACCT. NO. 230-541500-440223-30290  
 R-3453  
 SHEET 7A OF 10  
 HORIZ. SCALE: 1" = 20'

INDEXED 11-13-97 4H

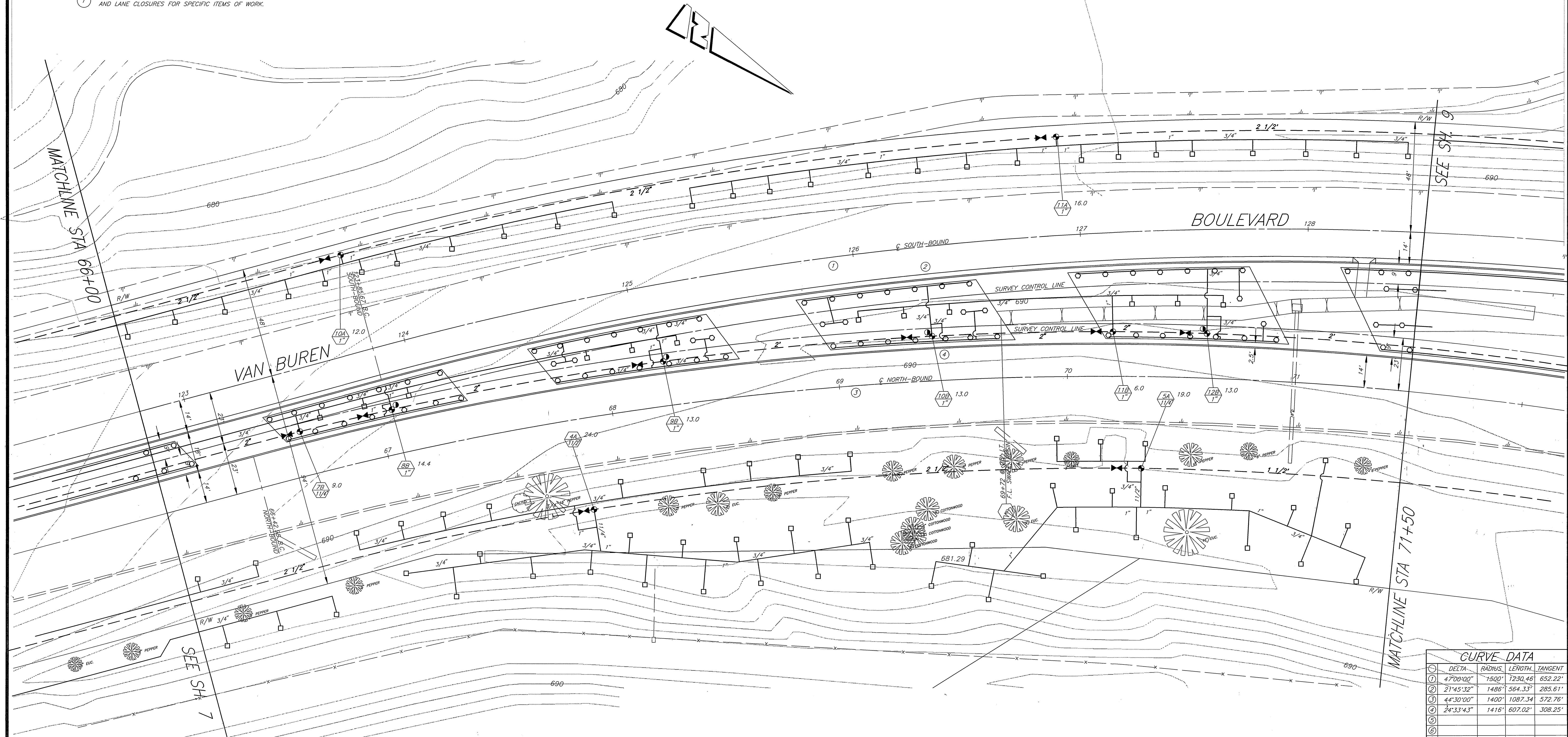


IRRIGATION LEGEND			
SYMBOL	DESCRIPTION	*DETAIL	REMARKS
●	GRISWOLD 2000 REMOTE CONTROL VALVE - SIZE PER PLAN	4	SIZE PER PLAN
○	TORO PRV15025 PRESSURE REGULATOR 7-40 GPM - 25 PSI		SIZE PER PLAN
⊥	NIBCO T-113 GATE VALVE	1	LINE SIZED
⊥	RAINBIRD RCM-18B CONTROLLER (18 STATION)	6	2 REQUIRED
○	RAINBIRD 44NP 1" QUICK COUPLER (NON-POTABLE)	4	
—	PRESSURE MAINLINE PVC SCH 40 - SIZE PER PLAN		SIZE PER PLAN
—	NON-PRESSURE LATERAL LINE PVC CL200		SIZE PER PLAN
—	PVC PIPE & WIRE SLEEVE - SIZE PER PLAN OR 2X PIPE DIA		
—	NOT SHOWN		NOT SHOWN
—	UF DIRECT BURIAL CONTROL WIRE, SOLID COPPER		SIZE PER PLAN
—	FEBCO 825Y R.P. BACKFLOW PREVENTER W/WILKENS 500 YBSK PRESSURE REGULATOR/STRAINER	2	SIZE PER PLAN

\* SEE SHEET 10 OF 10 FOR DETAILS

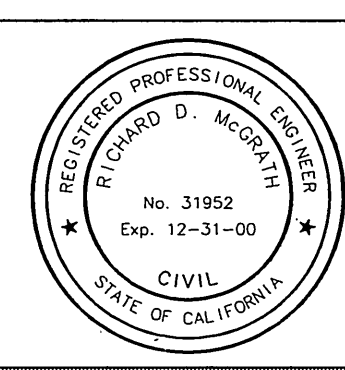
**CONSTRUCTION NOTES**

- 1 REFER TO SECTION 7-10 OF THE SPECIAL PROVISIONS FOR TRAFFIC CONTROL AND LANE CLOSURES FOR SPECIFIC ITEMS OF WORK.



CURVE DATA			
NO.	DELTA	RADIUS	LENGTH TANGENT
1	47°00'00"	7800'	1230.46 652.22'
2	21°45'32"	1486'	564.33' 285.61'
3	44°30'00"	1400'	1087.34 572.76'
4	24°33'43"	1416'	607.02' 308.25'
5			
6			
7			

ENGINEER IN RESPONSIBLE CHARGE  
**Richard D. McGrath**  
 RICHARD D. McGRATH  
 R.C.E. No. 31852 expires 12/31/2000  
 DATE July 4, 1997



MARK	REVISIONS	APPR.	DATE

CITY OF RIVERSIDE, CALIFORNIA  
 PUBLIC WORKS DEPARTMENT

APPROVED BY: [Signature] DATE: 7/2/97  
 DEPUTY P.W. DIRECTOR  
 PRINCIPAL ENGINEER  
 SURVEYOR  
 TRAFFIC DIVISION  
 PARKS DEPARTMENT  
 PUBLIC UTILITIES

IRRIGATION PLANS  
 VAN BUREN BLVD MEDIAN & URBAN FOREST  
 JURUPA AVE TO SANTA ANA RIVER

ACT. NO. 230-541500-440223-30290  
 R-3453  
 SHEET 8A OF 10  
 HORIZ. SCALE: 1" = 20'



IRRIGATION LEGEND			
SYMBOL	DESCRIPTION	*DETAIL	REMARKS
⊙	GRISWOLD 2000 REMOTE CONTROL VALVE - SIZE PER PLAN	4	SIZE PER PLAN
⊙	TORO PRT15025 PRESSURE REGULATOR 7-40 GPM - 25 PSI	4	SIZE PER PLAN
⊙	WISCO T-113 GATE VALVE	1	LINE SIZED
⊙	RAINBIRD RCM-18B CONTROLLER (18 STATION)	6"	2 REQUIRED
⊙	RAINBIRD 44NP 1" QUICK COUPLER (NON-POTABLE)	4	SIZE PER PLAN
---	PRESSURE MAINLINE PVC SCH 40 - SIZE PER PLAN		SIZE PER PLAN
---	NON-PRESSURE LATERAL LINE PVC CL200		SIZE PER PLAN
---	PVC PIPE & WIRE SLEEVE - SIZE PER PLAN OR 2X PIPE DIA		SIZE PER PLAN
---	UF DIRECT BURIAL CONTROL WIRE, SOLID COPPER		NOT SHOWN
---	FEDCO 825Y R.P. BACKFLOW PREVENTER W/WILKENS	2	SIZE PER PLAN
---	500 YSR PRESSURE REGULATOR/STRAINER		NOT SHOWN

\* SEE SHEET 10 OF 10 FOR DETAILS

**CONSTRUCTION NOTES**

1 REFER TO SECTION 7-10 OF THE SPECIAL PROVISIONS FOR TRAFFIC CONTROL AND LANE CLOSURES FOR SPECIFIC ITEMS OF WORK.

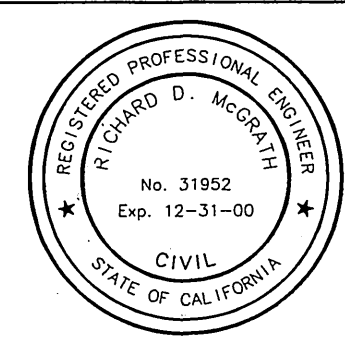


SEE SH. 8

MATCHLINE STA 71+50

CURVE DATA			
Δ	RADIUS	LENGTH	TANGENT
① 47°00'00"	7500'	1230.46'	652.22'
② 21°45'32"	1486'	364.33'	285.61'
③ 44°30'00"	1400'	1087.34'	822.76'
④ 24°35'48"	1414'	607.02'	308.26'
⑤ 8°52'25"	1488'	230.14'	115.30'
⑥ 8°04'11"	1414'	199.15'	99.74'

ENGINEER IN RESPONSIBLE CHARGE  
**Richard D. McGrath**  
 RICHARD D. McGRATH  
 R.C.E. No. 31952 expires 12/31/2000  
 DATE July 1, 1991

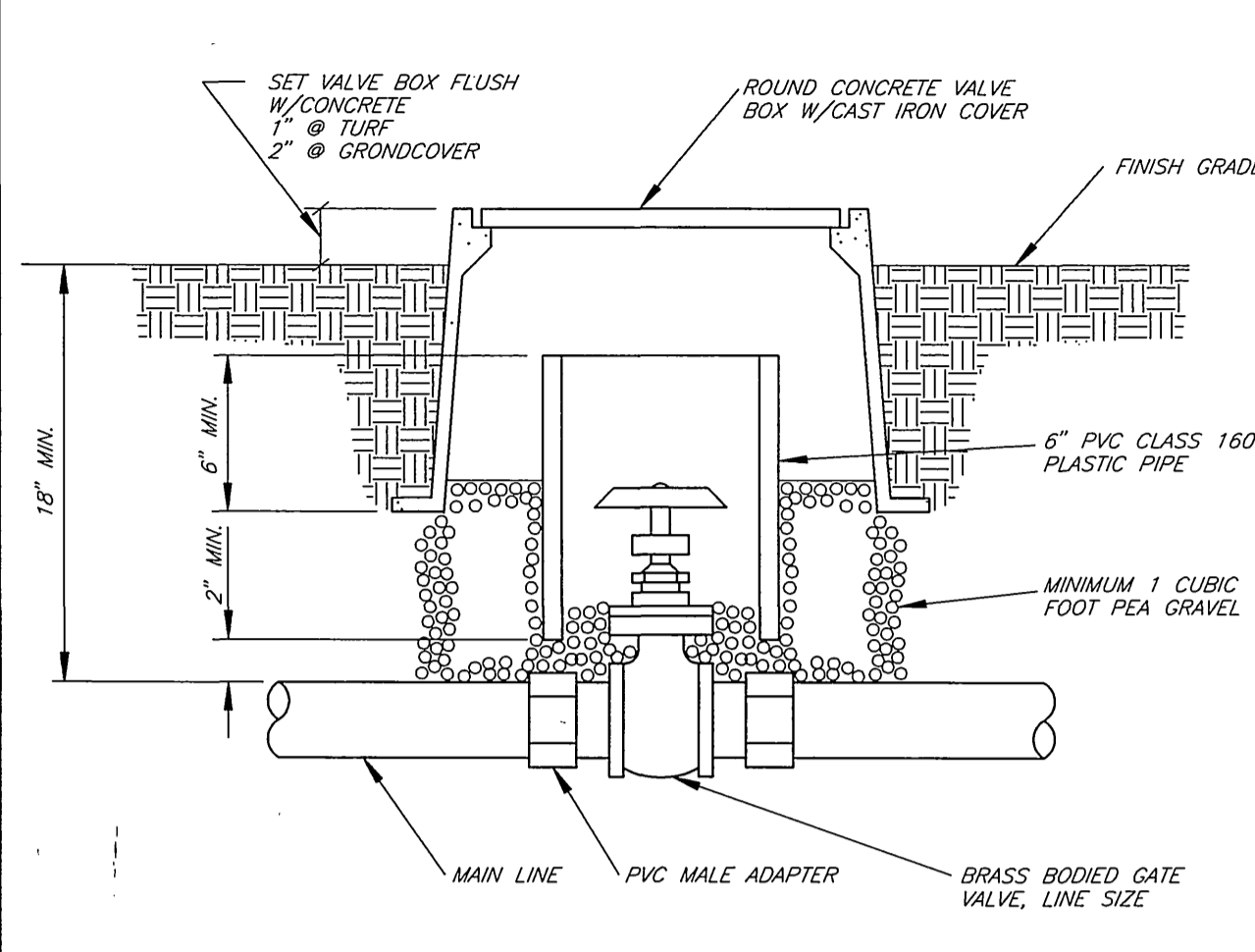


CITY OF RIVERSIDE, CALIFORNIA  
 PUBLIC WORKS DEPARTMENT  
 APPROVED BY: [Signature] DATE: 7/6/97  
 DEPUTY P.W. DIRECTOR  
 PRINCIPAL ENGINEER  
 STREET SERVICES  
 SURVEYOR  
 TRAFFIC DIVISION  
 PARKS DEPARTMENT  
 PUBLIC UTILITIES

IRRIGATION PLANS  
 VAN BUREN BLVD MEDIAN & URBAN FOREST  
 JURUPA AVE TO SANTA ANA RIVER  
 ACCT. NO. 230-541500-440223-30290  
**R-3453**  
 SHEET 9A OF 10  
 HORIZ. SCALE: 1" = 20'

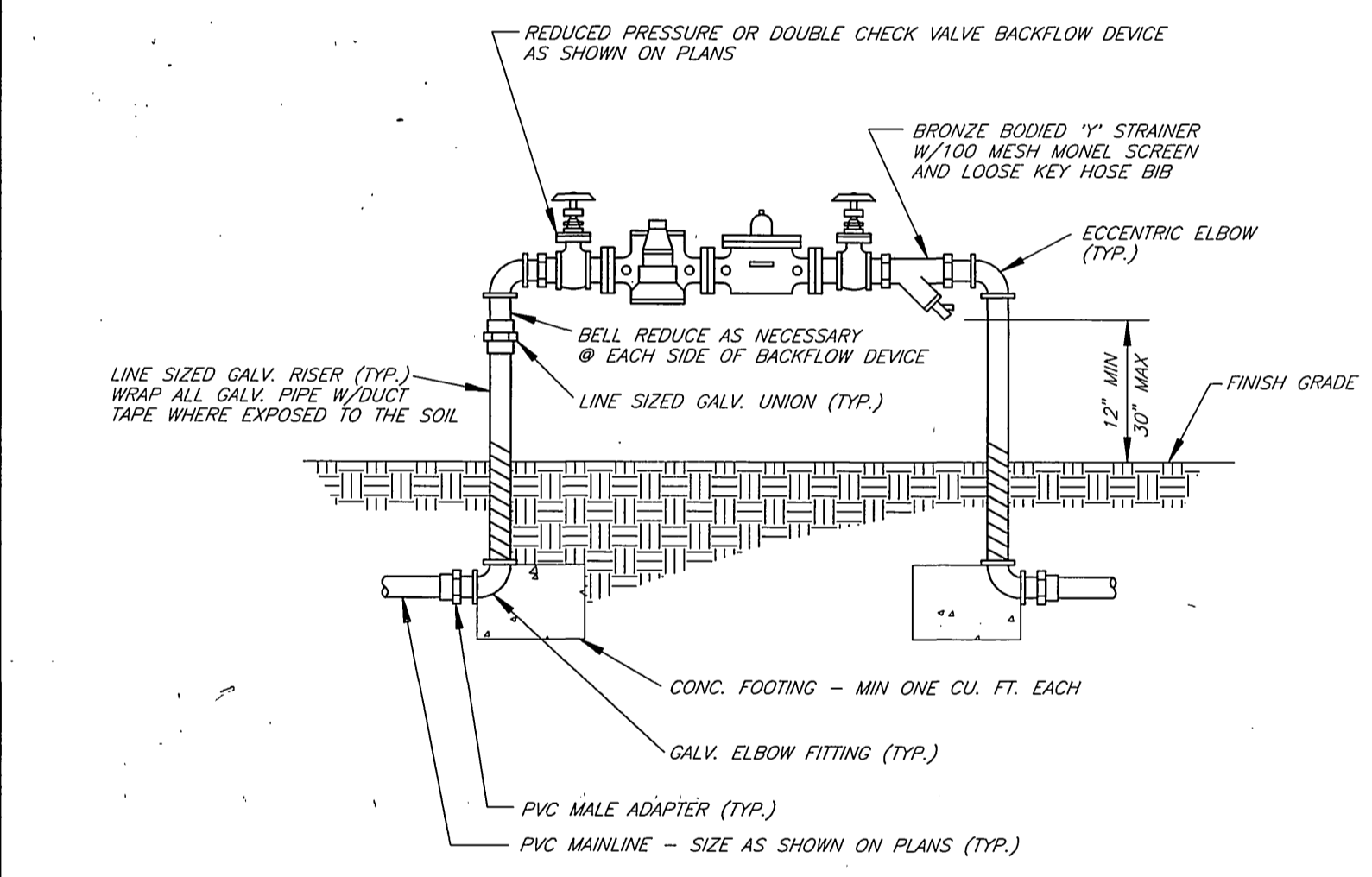


**NOTES**  
 1) EACH VALVE SHALL HAVE ITS OWN TEE OR ELL CONNECTION TO THE MAINLINE. NO MANIFOLD CONNECTIONS  
 2) PROVIDE MINIMUM 3' CLEAR DISTANCE BETWEEN VALVES  
 3) INSTALL VALVE BOX IN A MANNER THAT BOX DOES NOT REST ON ANY IRRIGATION LINE

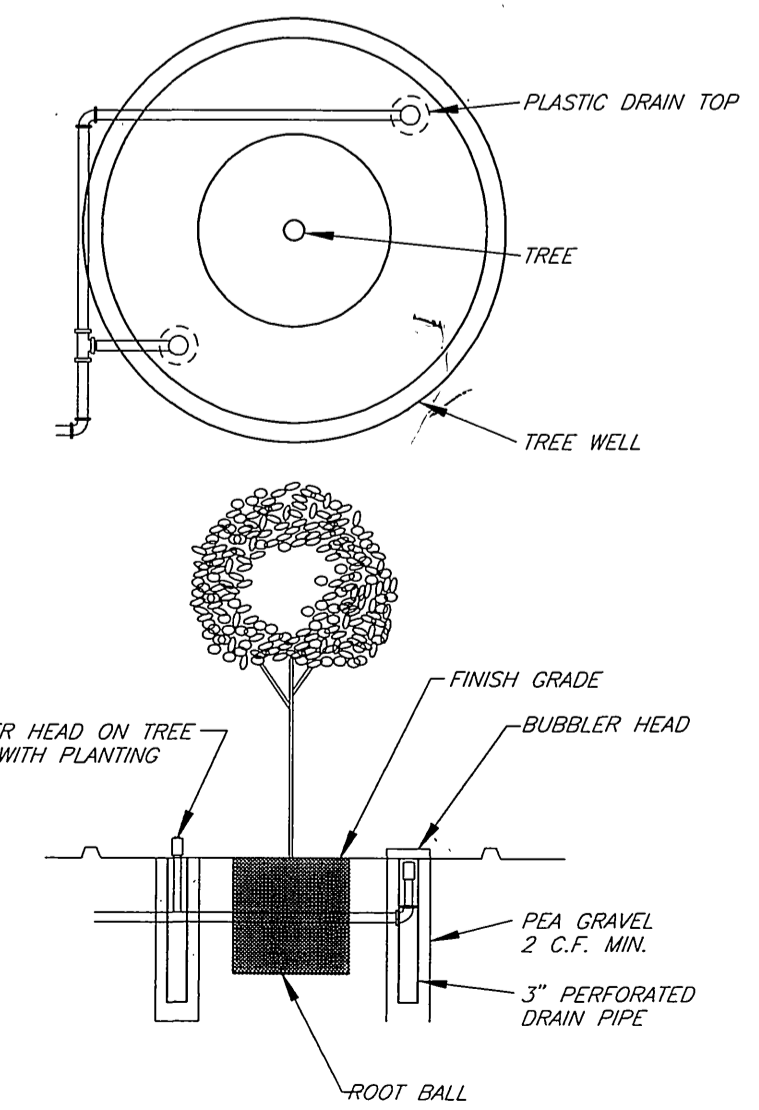


**1 TYPICAL GATE VALVE ASSEMBLY**  
NO SCALE

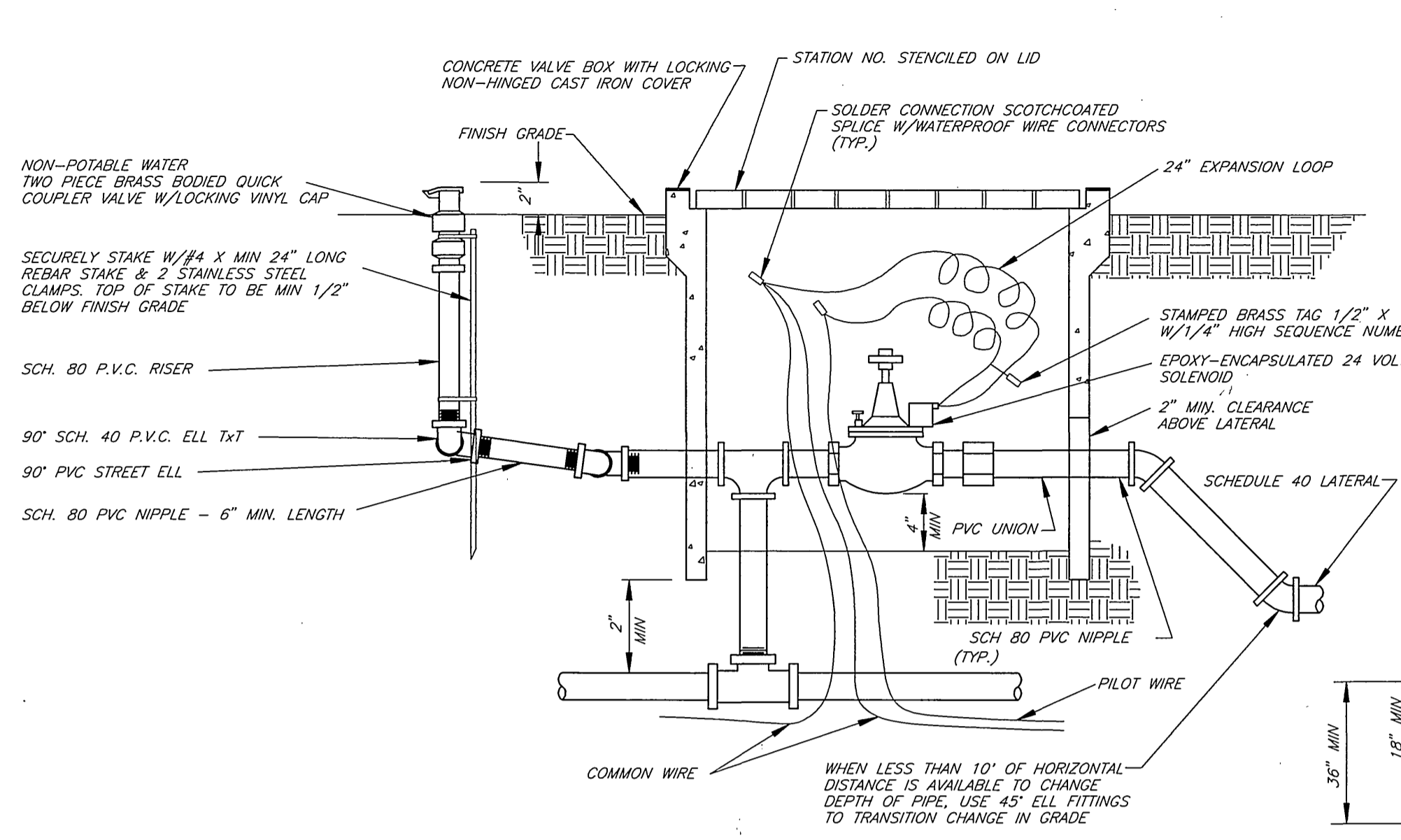
**NOTES**  
 1) INSTALL BACKFLOW DEVICE SQUARE WITH HARDSCAPE ELEMENT AS APPROVED BY THE PARK PROJECTS INSPECTOR IN THE FIELD  
 2) MODIFY HANDWHEELS AS DIRECTED OR REMOVE & TURN OVER TO PARKS PROJECTS INSPECTOR AT FINAL INSPECTION



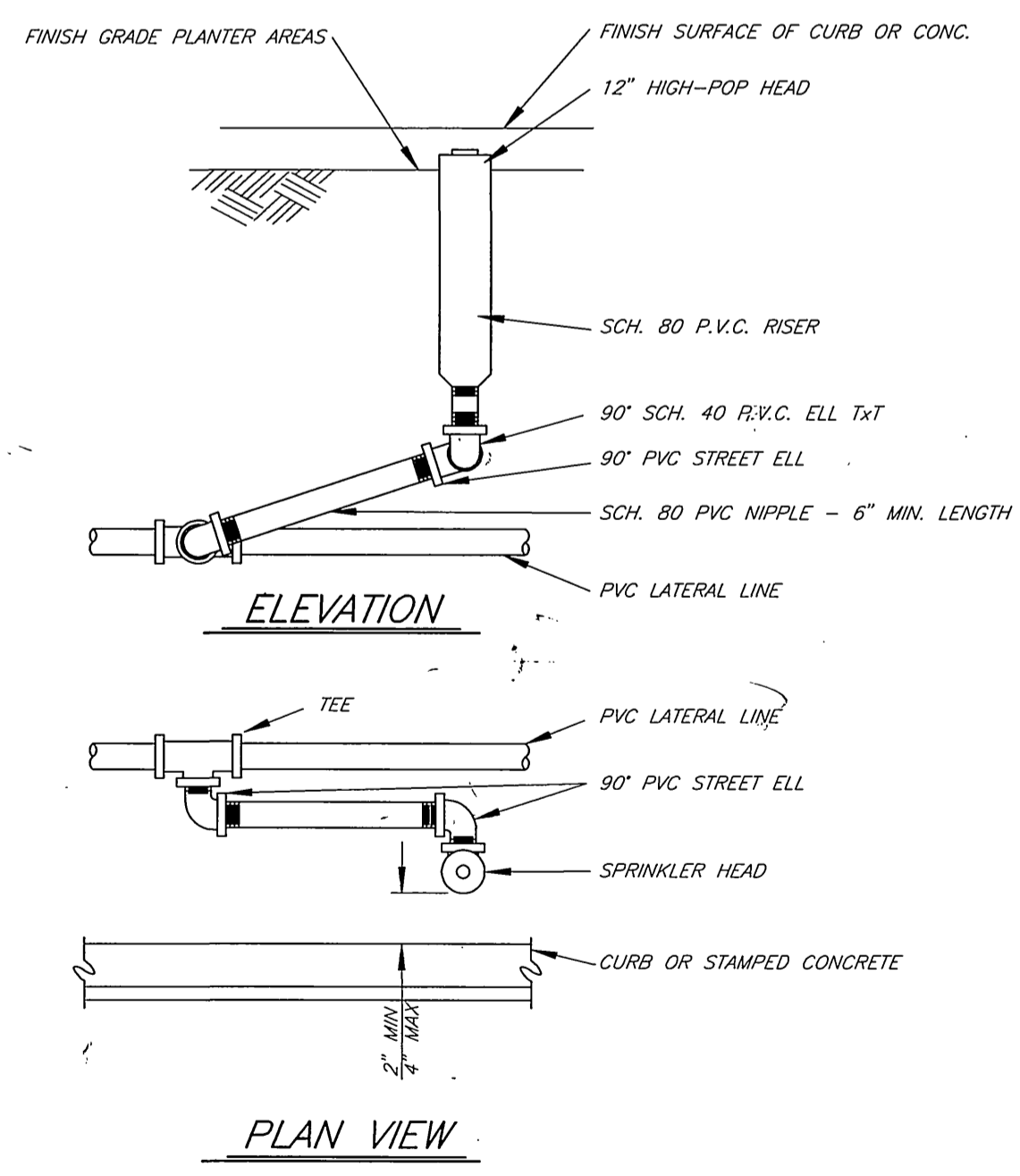
**2 TYPICAL BACKFLOW DEVICE**  
NO SCALE



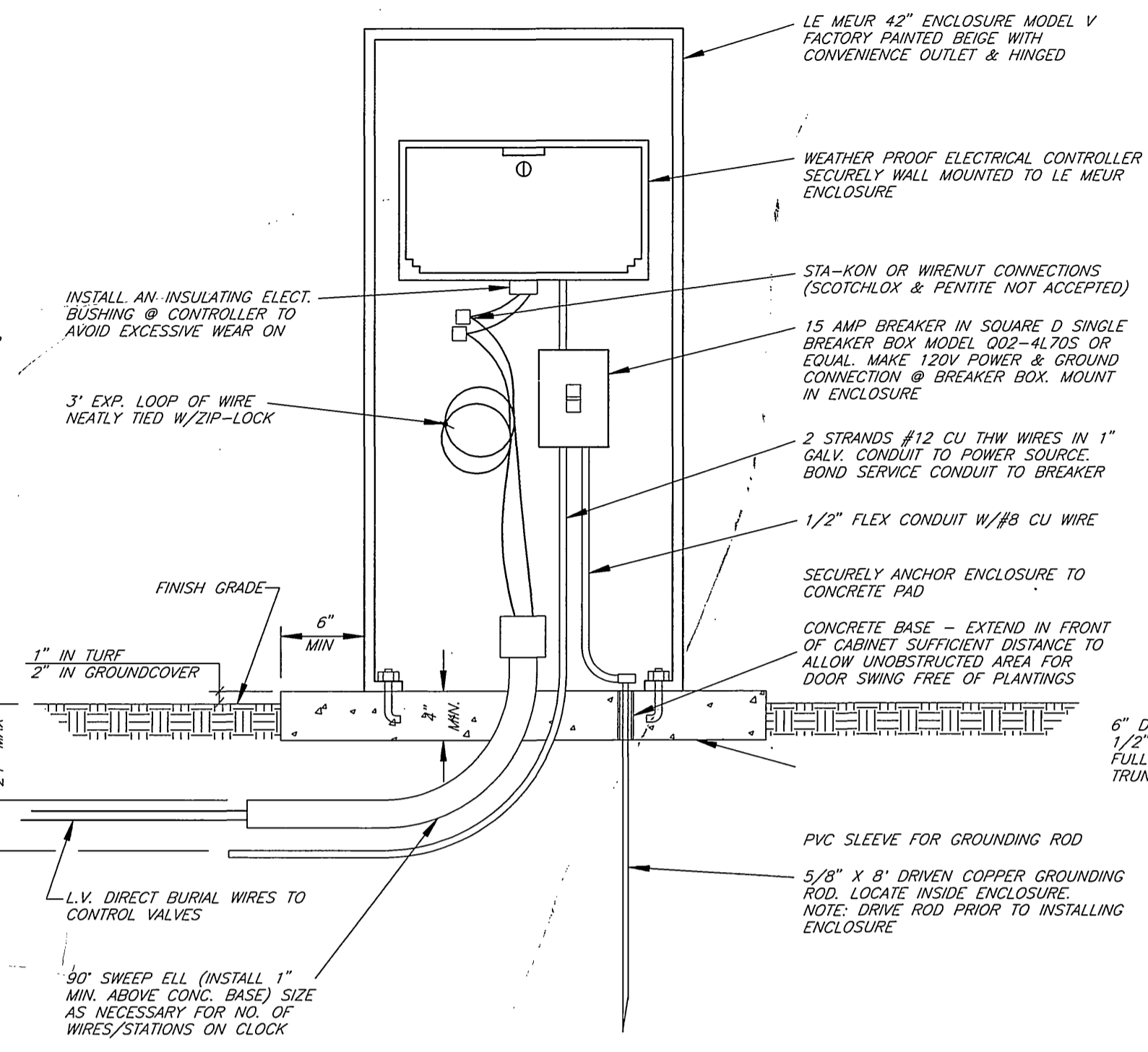
**3 TYPICAL TREE WELL IRRIGATION ASSEMBLY**  
NO SCALE



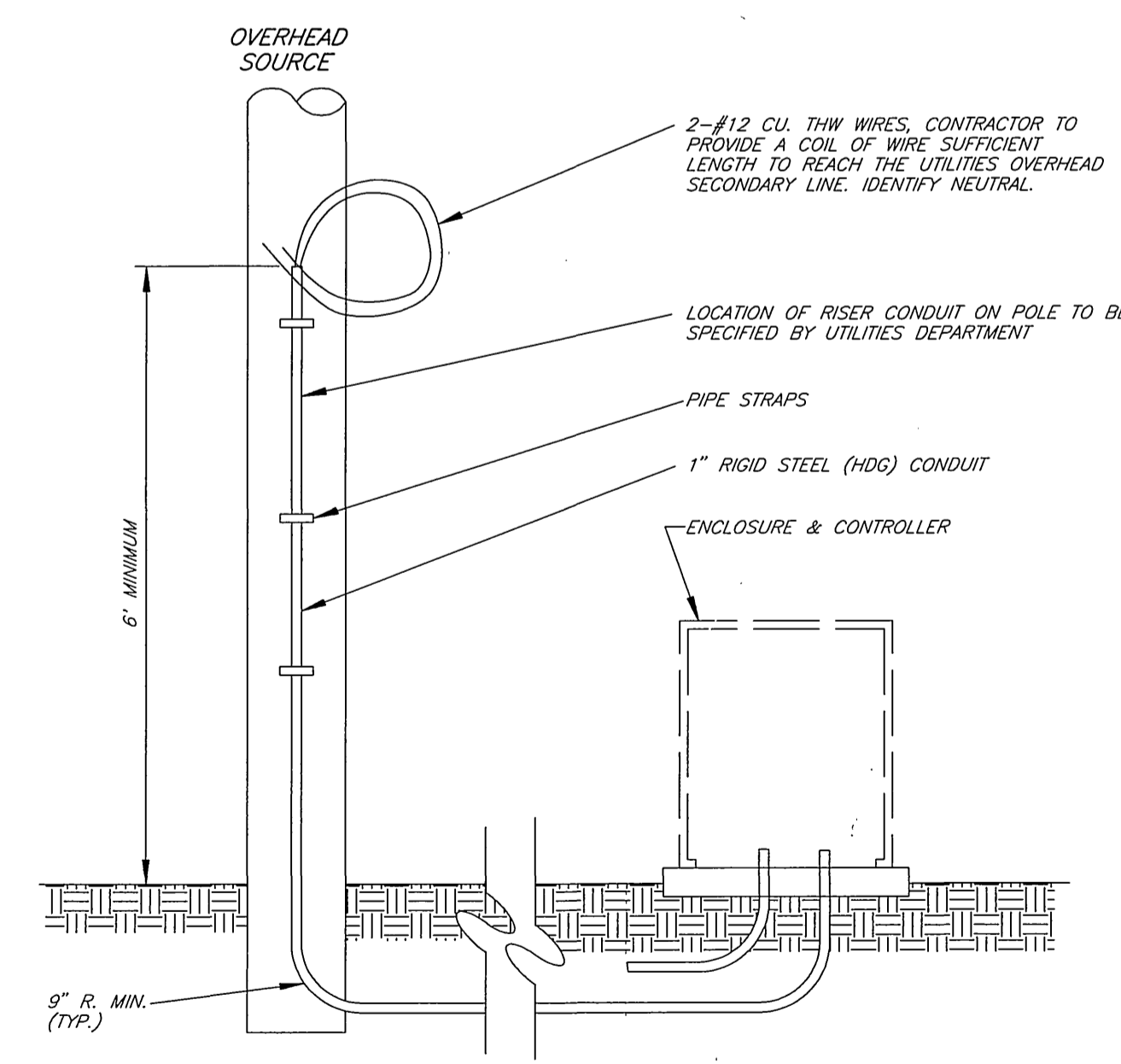
**4 TYPICAL AUTOMATIC VALVE**  
NO SCALE



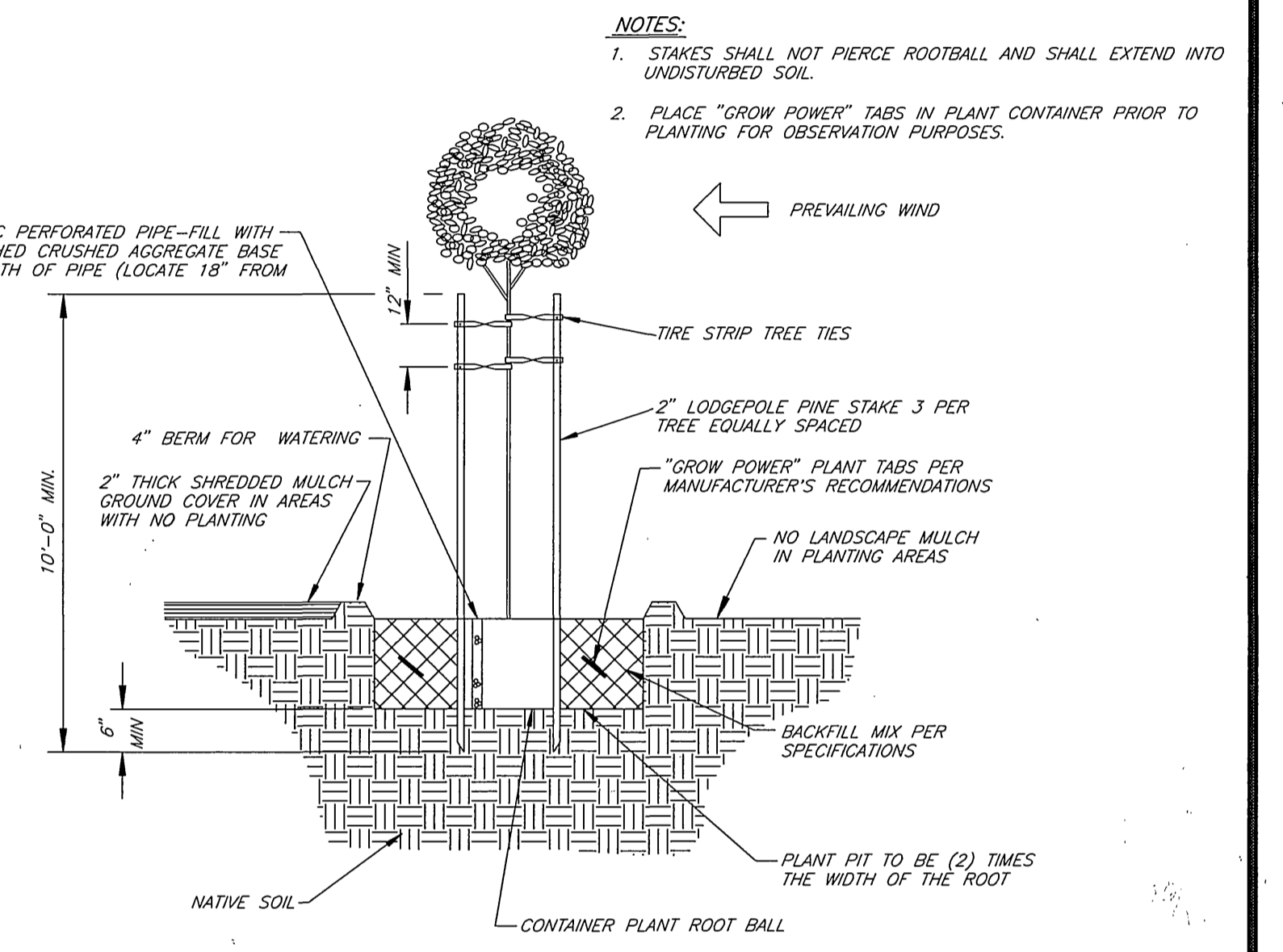
**5 TYPICAL SPRAY HEAD ASSEMBLY**  
NO SCALE



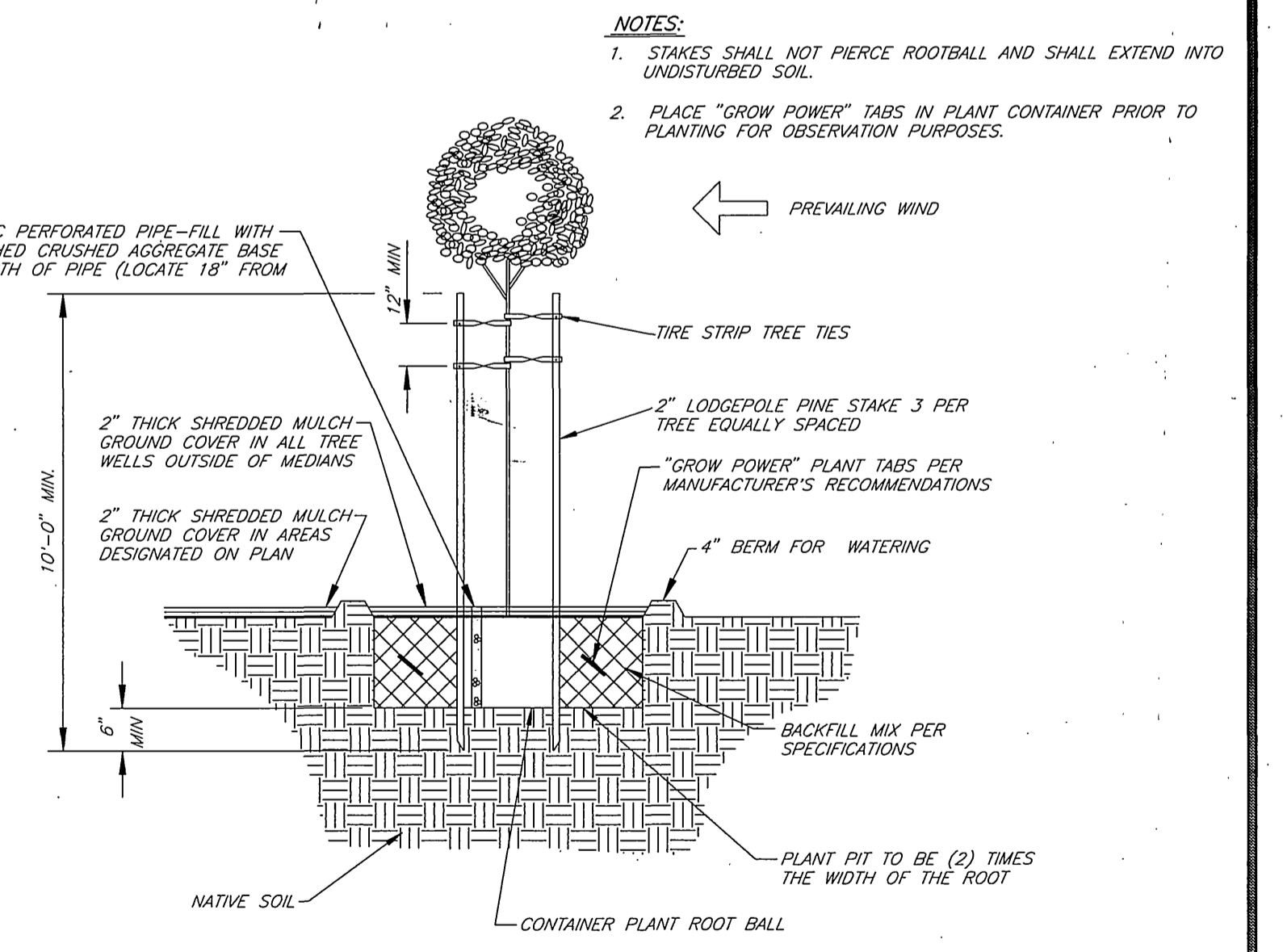
**6 TYPICAL CONTROLLER**  
NO SCALE



**7 TYPICAL ELECTRIC CONNECTION**  
NO SCALE



**8 MEDIAN TREE PLANTING/STAKING DETAIL**  
NO SCALE



**9 TREE PLANTING/STAKING DETAIL OUTSIDE MEDIAN**  
NO SCALE

ENGINEER IN RESPONSIBLE CHARGE  
 RICHARD D. McGRATH  
 R.C.E. No. 31952 expires 12/31/2000  
 DATE July 1, 1997



MARK	REVISIONS	APPR.	DATE

CITY OF RIVERSIDE, CALIFORNIA  
 PUBLIC WORKS DEPARTMENT  
 APPROVED BY: [Signature]  
 DEPUTY P.W. DIRECTOR  
 DATE: 7/2/97

IRRIGATION AND PLANTING DETAILS  
 VAN BUREN BLVD MEDIAN & URBAN FOREST  
 JURUPA AVE TO SANTA ANA RIVER  
 ACCT. NO. 230-541500-440223-30290  
 R-3453  
 SHEET 10A OF 10

INDEXED 11-13-97 LPH