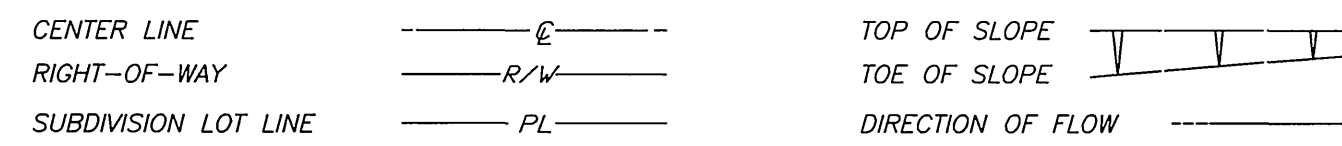


RIVERSIDE CITY OF RIVERSIDE CALIFORNIA

PUBLIC WORKS DEPARTMENT

VAN BUREN BLVD MEDIAN LANDSCAPING JURUPA AVENUE TO THE SANTA ANA RIVER

CONSTRUCTION LEGEND



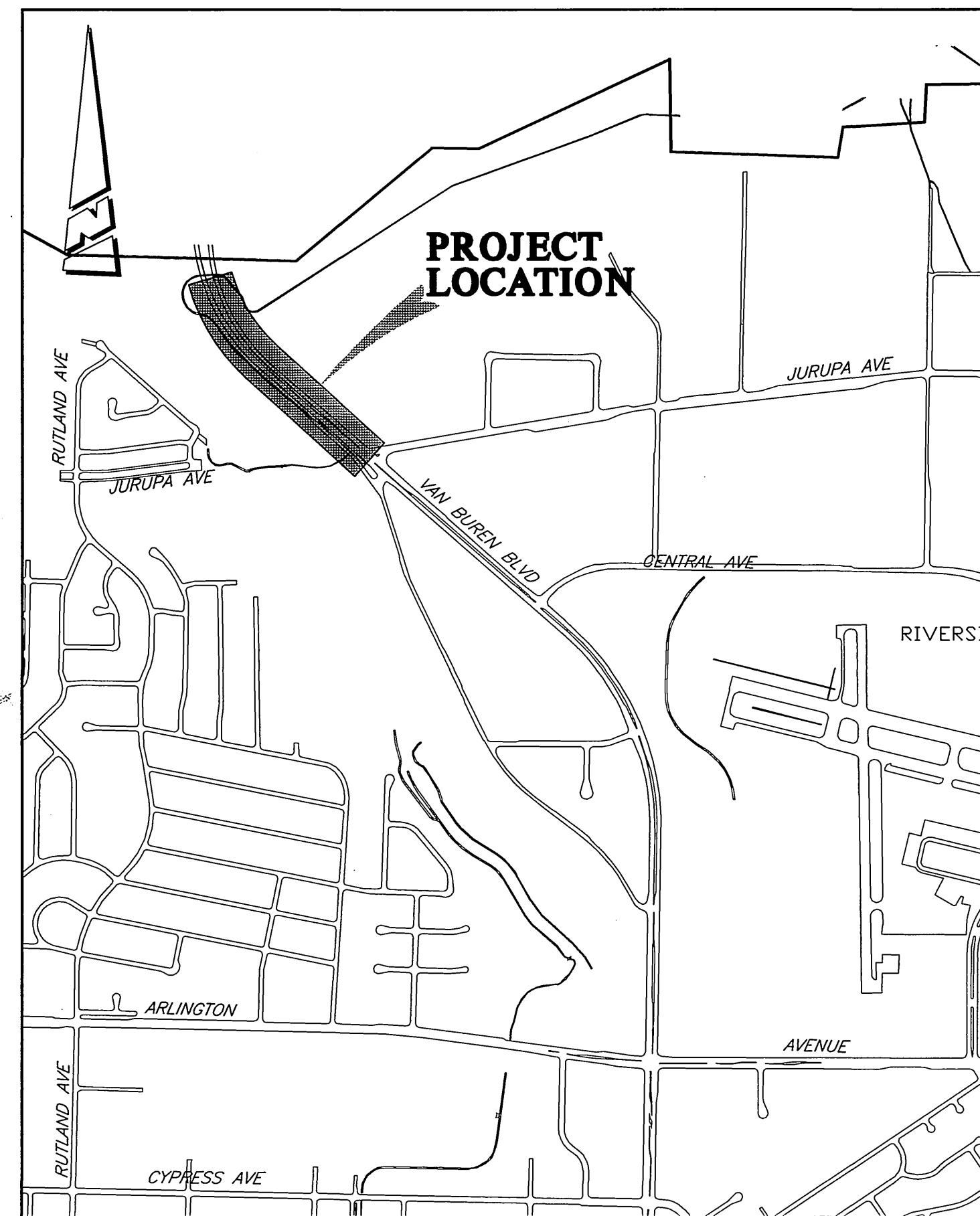
SPECIFIC CONSTRUCTION NOTES

NUMBERS ABOVE 100 IN A HEXAGON ON THE PLAN REFER TO THE RESPECTIVE STANDARD DRAWING AND SHALL BE CONSTRUCTED ACCORDINGLY. UNLESS MODIFICATIONS ARE NOTED ON THE PLAN OR COVER SHEET, ANY NUMBER SHOWN BELOW THE STANDARD DRAWING NUMBER INDICATES THE SPECIFIC ALTERATION TO BE CONSTRUCTED.

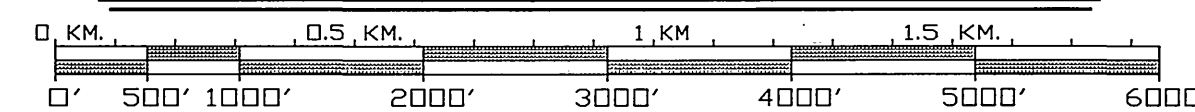
(X) - DETAIL NO.
(X) - SHEET NO.

GENERAL NOTES FOR PLANTING

- ALL RELATED WORK SHALL CONFORM TO THE CITY OF RIVERSIDE PARK AND RECREATION DEPARTMENT STANDARDS.
- CONTACT THE PARKS DEPT. INSPECTOR A MINIMUM OF 48 HOURS IN ADVANCE AT (909) 715-3469 TO SCHEDULE INSPECTION. INSPECTIONS SHALL BE REQUIRED:
 - PRIOR TO COMMENCEMENT OF IRRIGATION WORK, TO CONFIRM REQUIRED INSPECTIONS FOR INSTALLATION OF THE IRRIGATION SYSTEM.
 - WHEN PLANT LOCATIONS HAVE BEEN SPOTTED IN THE FIELD PRIOR TO DIGGING PLANT PITS.
 - WHILE DIGGING PLANT PITS.
 - AFTER PLANTING AND ALL OTHER INDICATED OR SPECIFIED WORK HAS BEEN COMPLETED FOR START OF MAINTENANCE.
- AT END OF MAINTENANCE/FINAL ACCEPTANCE (CONTRACTOR WILL BE RELEASED FROM MAINTENANCE ONLY UPON RECEIPT WRITTEN NOTIFICATION FROM THE CITY THAT THE PARK AND RECREATION DEPARTMENT IS ASSUMING MAINTENANCE RESPONSIBILITIES).
- THE CONTRACTOR SHALL MAINTAIN ALL PLANTINGS FOR A MINIMUM PERIOD OF NINETY (90) DAYS.



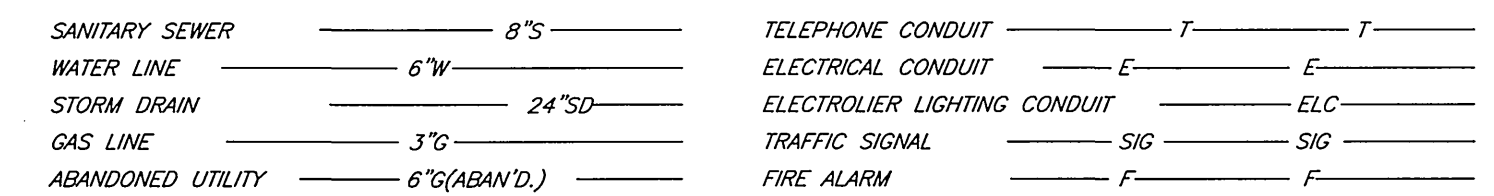
PROJECT LOCATION PLAN



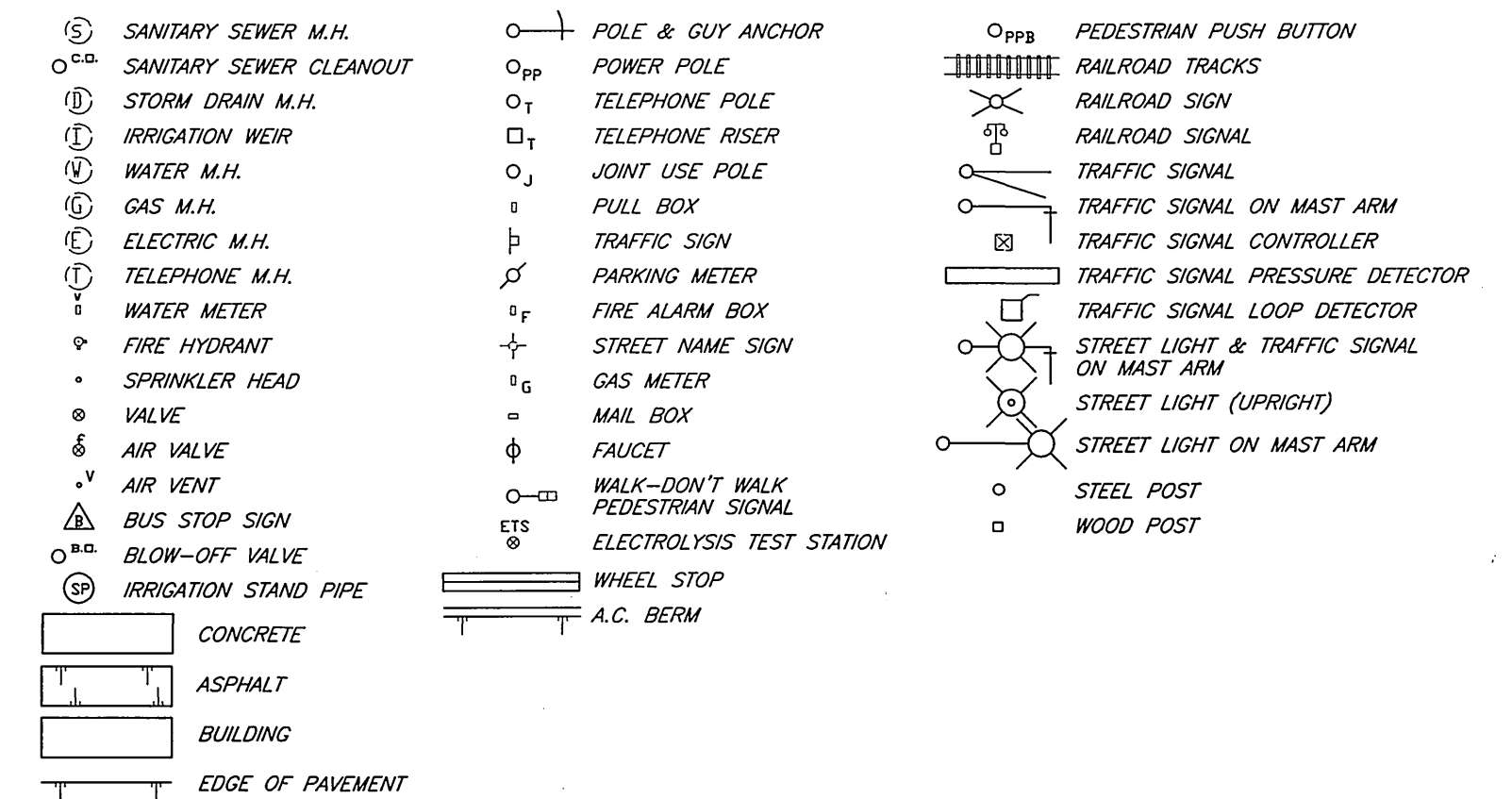
SCALE: 1"=1000'

EXISTING UNDERGROUND & TOPOGRAPHY LEGEND

EXISTING UNDERGROUND UTILITIES:



EXISTING TOPOGRAPHY:



GENERAL CONSTRUCTION NOTES

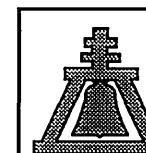
- EXISTING UTILITIES SHOWN ON THIS PLAN ARE PLOTTED FROM UTILITY RECORDS. THE CONTRACTOR IS REQUIRED TO TAKE DUE PRECAUTIONARY MEASURES TO LOCATE AND PROTECT ALL UTILITIES WHETHER OR NOT SHOWN ON THIS PLAN. IF THE COVER OF A UTILITY IS KNOWN, IT IS SHOWN IN THE PROFILE. UTILITIES SHOWN IN THE PROFILE AS INDICATES THAT THE COVER IS UNKNOWN, BUT THE UTILITY IS NOT EXPECTED TO CONFLICT WITH THE PROPOSED IMPROVEMENTS.
- ALL ELEVATIONS SHOWN ON THE PLANS SHALL BE STAKED IN THE FIELD.
- PRIME CONTRACTORS BIDDING THIS WORK SHALL EITHER HAVE A CLASS "A" OR A "C-27" LICENSE.
- THIS IRRIGATION SYSTEM USES RECLAIMED NON-POTABLE WATER AND REQUIRES ALL BOXES, PIPE, VALVES, ETC. MUST BE PURPLE IN COLOR OR PAINTED PURPLE WITH PAINT APPROVED BY THE ENGINEER.

SHEET INDEX

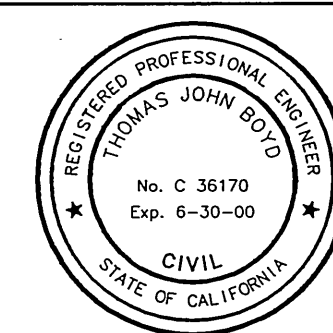
IRRIGATION PLANS
LANDSCAPE PLANS

SHEET

2-3
4-5



ENGINEER IN RESPONSIBLE CHARGE
Thomas Boyd
THOMAS JOHN BOYD
R.C.E. No. C 36170 expires 6/30/2000
DATE 5/7/99



MARK	REVISIONS	APPR.	DATE

DESIGNED BY CURT DRAWN BY CURT CHECKED BY

CITY OF RIVERSIDE, CALIFORNIA PUBLIC WORKS DEPARTMENT			
APPROVED BY	BY	DATE	APPROVED BY
DEPUTY P.W. DIRECTOR			
PRINCIPAL ENGINEER			
CHIEF P.W. INSPECTOR			
TRAFFIC DIVISION SURVEYOR			
TRAFFIC DIVISION			
PARKS DEPARTMENT			

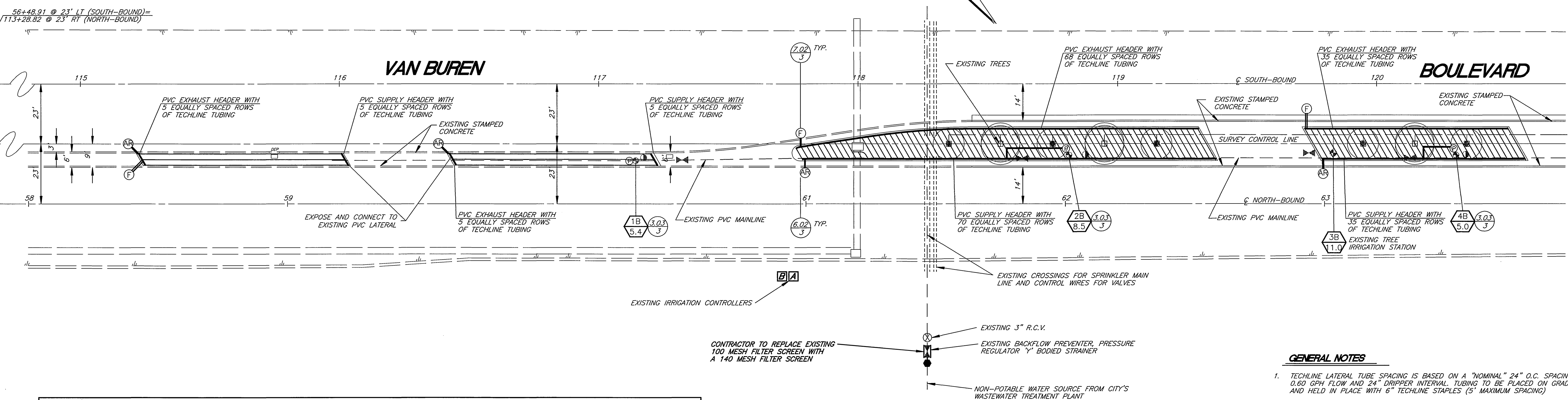
DATE 6-10-99

VAN BUREN BLVD
MEDIAN LANDSCAPING
JURUPA AVE TO SANTA ANA RIVER

ACCT. NO. 430-541500-440222-30290
430-541500-440301-30290
R-3453B
SHEET 1 of 5

JURUPA AVE

SEE BELOW LEFT



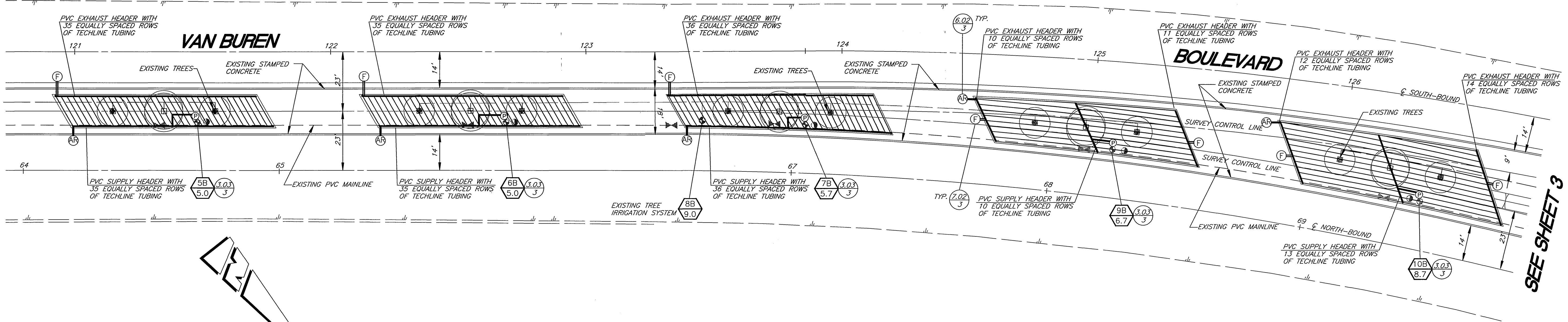
IRRIGATION LEGEND			
SYMBOL	DESCRIPTION	MANUFACTURE & MODEL NO.	REMARKS
	EXISTING STATION NO. & CONTROLLER USED		ALL VALVES THAT ARE INVOLVED IN THIS PROJECT ARE CONNECTED TO CONTROLLER B
	G.P.M. DEMAND		
	DETAIL NUMBER		DETAIL DRAWING NUMBERS BELOW 10 ARE LOCATED ON PLAN R-3453B SHEET 3 OF 5. DETAIL DRAWING NUMBERS ABOVE 1000 ARE LOCATED IN THE SPECIAL PROVISIONS.
	PVC LATERAL LINE/HEADER (PURPLE PIPE)	3/4" SCHEDULE 40 PVC	
	TECHLINE DRIP EMITTER LATERAL (PURPLE PIPE)	NETAFIM TLDL-6-24"	0.6 GPH, 24" DRIPPER INTERVAL
	AIR/VACUUM RELIEF VALVE	NETAFIM TLAVRV WITH 1/2" MPT	IN ROUND PLASTIC VALVE BOX W/PURPLE LID, DETAIL 6.02
	FLUSHING VALVE	NETAFIM TLOSOMF V-1 WITH 1/2" MPT	IN ROUND PLASTIC VALVE BOX W/PURPLE LID, DETAIL 7.02
	PRESSURE REDUCING VALVE	NETAFIM PRV075HF20	CONNECT TO EXIST RCV IN EXIST BOX SEE DETAIL 3.03

IRRIGATION LEGEND (EXISTING SYSTEM)		
SYMBOL	DESCRIPTION	REMARKS
	PRESSURE REGULATOR	EXISTING AT POINT OF WATER SUPPLY
	BACKFLOW DEVICE IN ENCLOSURE	EXISTING AT POINT OF WATER SUPPLY
	CONTROLLER IN ENCLOSURE	EXISTING IN ENCLOSURE
	MASTER CONTROL VALVE	EXISTING AT POINT OF WATER SUPPLY
	REMOTE CONTROL VALVE	EXISTING VALVE W/DISC FILTER IN 12" X18" VALVE BOX
	QUICK COUPLER VALVE	EXISTING (ALONG MEDIANS)
	CONSTANT PRESSURE MAIN LINE	EXISTING (PROTECT IN PLACE)
	PVC SCHEDULE 40 SLEEVE	EXISTING (PROTECT IN PLACE)
	IRRIGATION CONTROL WIRE	EXISTING (NOT SHOWN)
	AIR/VACUUM RELIEF VALVE	SEE DETAIL 6.02 ON SHT 3 OF 5
	LINE FLUSHING VALVE	SEE DETAIL 7.02 ON SHT 3 OF 5

- GENERAL NOTES**
- TECHLINE LATERAL TUBE SPACING IS BASED ON A "NOMINAL" 24" O.C. SPACING 0.60 GPH FLOW AND 24" DRIPPER INTERVAL. TUBING TO BE PLACED ON GRADE AND HELD IN PLACE WITH 6" TECHLINE STAPLES (5' MAXIMUM SPACING)
 - PVC SUPPLY AND EXHAUST HEADERS ARE TO BE BURIED A MINIMUM OF 4"
 - TEST IRRIGATION SYSTEM FOR COVERAGE AND SATURATION PRIOR TO PLANTING
 - APPLY 2" THICK WOOD CHIPS TO COVER ALL PIPING, AFTER FINAL APPROVAL OF IRRIGATION SYSTEM. WOOD CHIP STOCKPILE SOURCE TO BE PROVIDED BY PARK & RECREATION DEPT. PER SPECS.
 - ALL PLANTING AREAS ARE TO BE REGRADED AROUND THE EDGES TO ALLOW THE FINISH GRADE OF THE WOOD CHIPS TO BE 2" LOWER THAN THE ADJACENT CONCRETE.
 - ALL PIPING AND VALVE BOX LIDS SHALL BE PURPLE IN COLOR
 - EXISTING TREE IRRIGATION SYSTEM TO BE PROTECTED IN PLACE DURING CONSTRUCTION.
 - ALL EXISTING IRRIGATION BOXES ARE TO BE ADJUSTED TO GRADE, 1" ABOVE FINAL GRADE OF WOOD CHIPS.
 - THESE PLANS ARE DIAGRAMMATIC ONLY. THE AIR/VACUUM RELIEF VALVE PER DETAIL 6.02 IS TO BE INSTALLED AT THE HIGH POINT OF EACH STATION. THE LINE FLUSHING VALVE PER DETAIL 7.02 IS TO BE INSTALLED AT THE LOW POINT OF EACH STATION.
- NOTE: THIS IRRIGATION SYSTEM USES RECLAIMED WATER (NON-POTABLE) ALL COMPONENTS USED FOR THIS SYSTEM MUST BE PURPLE IN COLOR PER SPECS.**

SEE ABOVE RIGHT

SEE SHEET 3



BENCHMARK:
TOP OF ELY BOLT OF 12" DIA. TRAFFIC SIGNAL BASE AT NELY CURB RETURN OF VAN BUREN BLVD @ JURUPA AVE. PER LL 32/32.
ELEV. - 726.22

ENGINEER IN RESPONSIBLE CHARGE
Thomas John Boyd
THOMAS JOHN BOYD
R.C.E. No. C 36170 expires 6/30/2000
DATE 5/1/99

CITY OF RIVERSIDE, CALIFORNIA
PUBLIC WORKS DEPARTMENT

APPROVED BY	BY	DATE	APPROVED BY
ENGINEERING MANAGER	<i>R. M. Smith</i>	5/10/99	PUBLIC WORKS DIRECTOR
PRINCIPAL ENGINEER			
STREET SERVICES			
SURVEYOR			
TRAFFIC DIVISION			
PARKS DEPARTMENT			
PUBLIC UTILITIES			

DESIGNED BY RVZ/CURT DRAWN BY RVZ/CURT CHECKED BY

IRRIGATION PLANS
VAN BUREN BLVD
MEDIAN LANDSCAPING
JURUPA AVE TO SANTA ANA RIVER

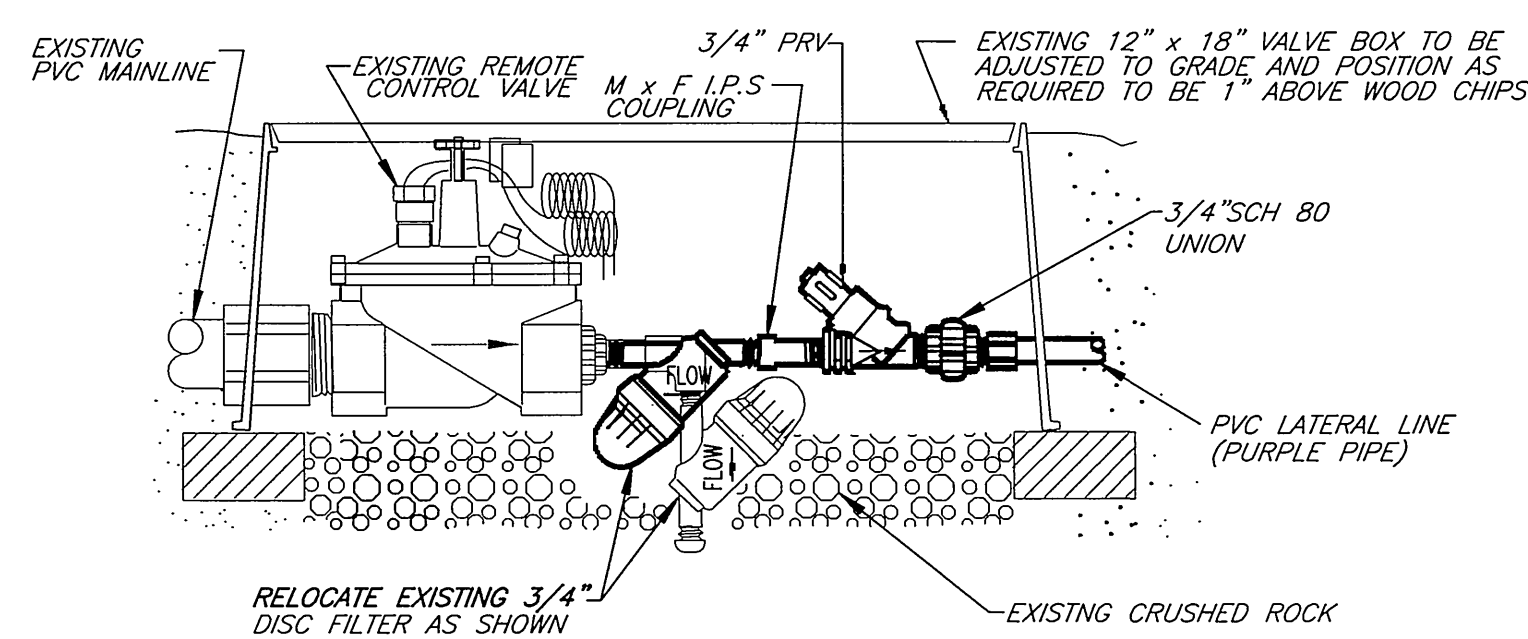
ACCT. NO. 430-541500-440222-30290
430-541500-440301-30290

R-3453B
SHEET 2 of 5

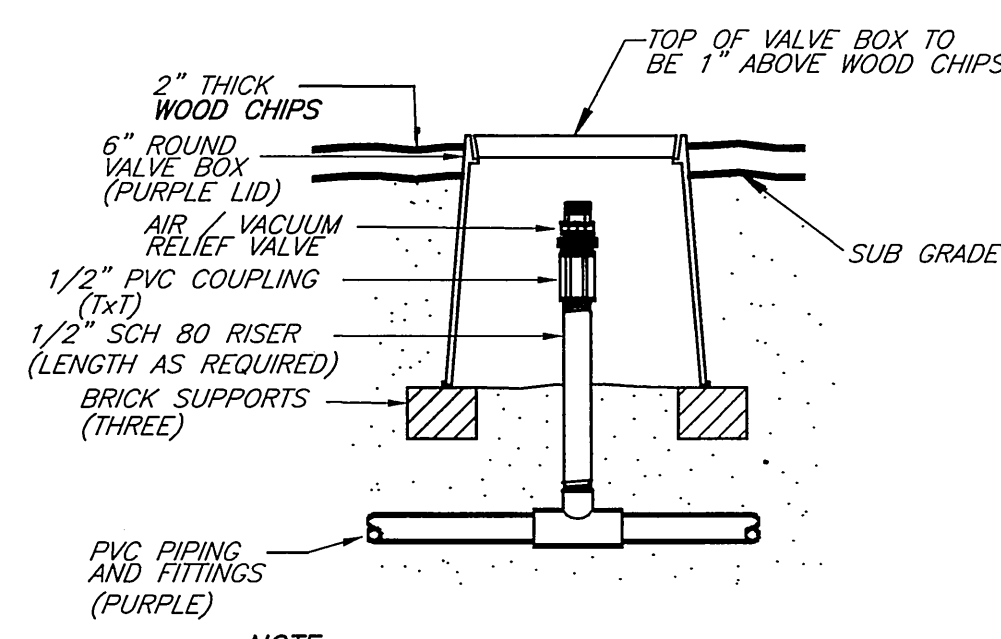
HORIZ. SCALE: 1" = 20'

INDEXED 1-5-2000 LPH

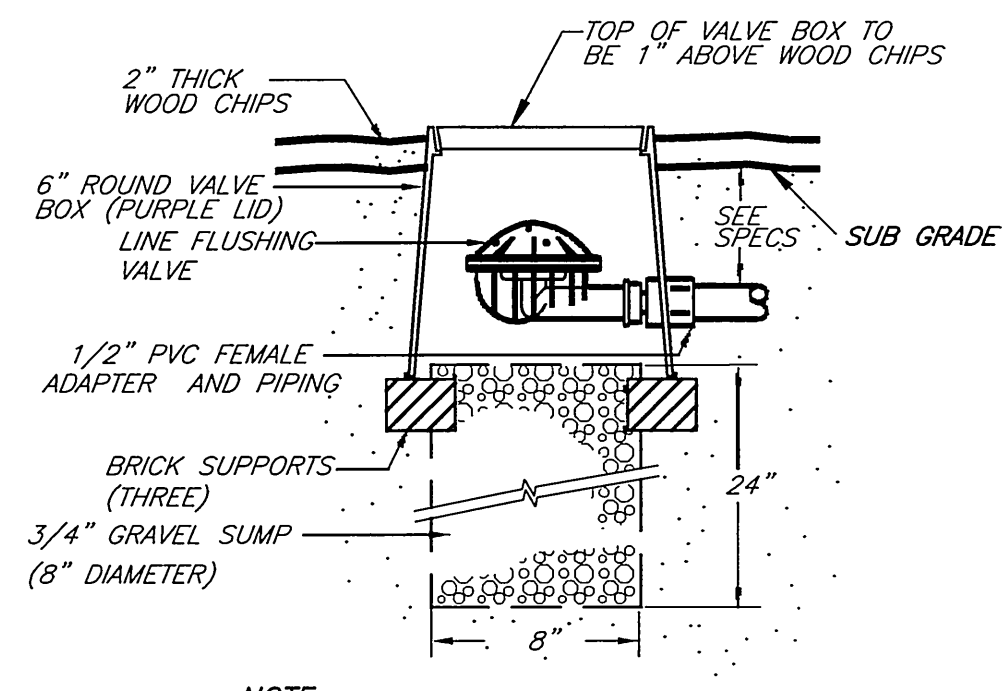
PC-4159-M



3.03 **PRESSURE REDUCING VALVE**
CONNECT TO EXISTING RCV & FILTER
SECTION - NO SCALE

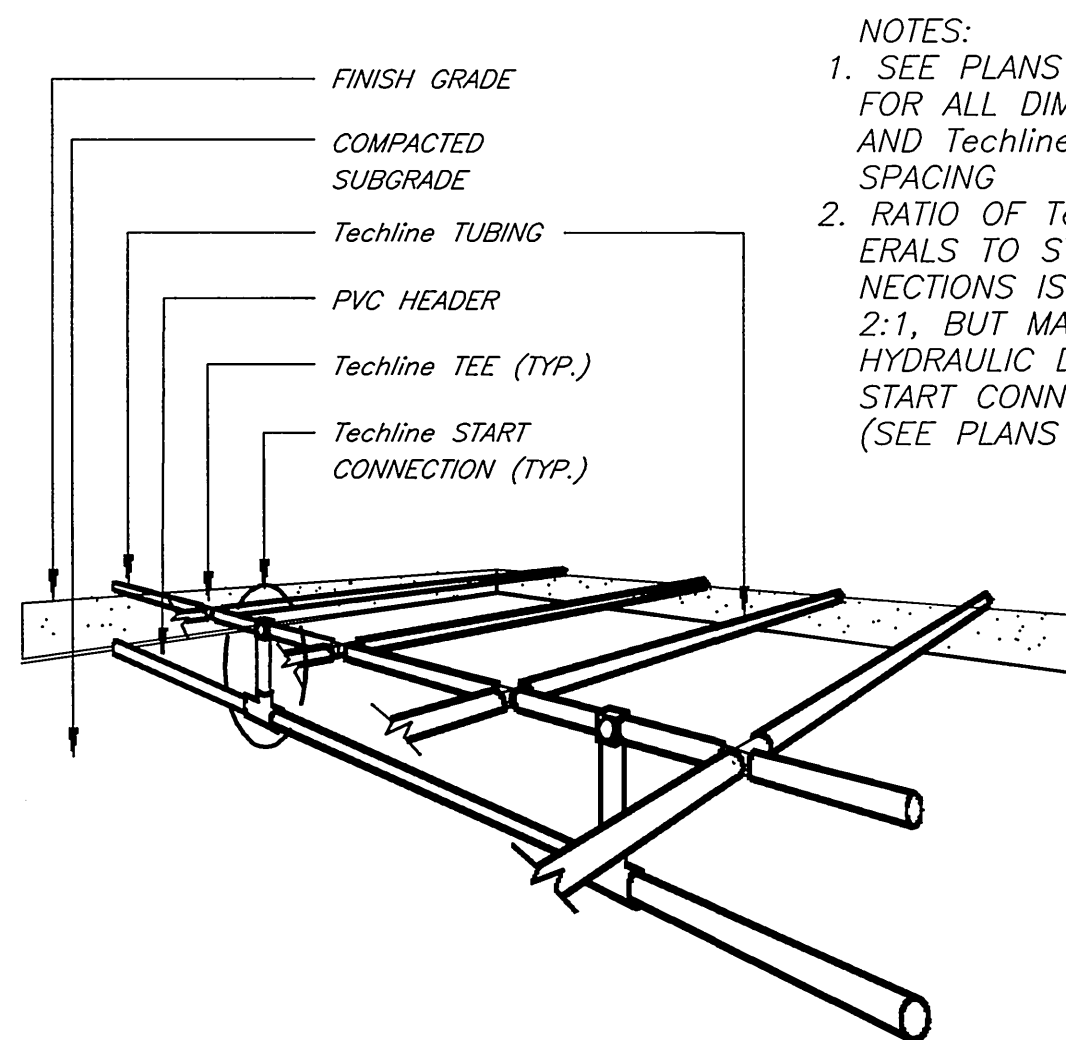


6.02 **AIR/VACUUM RELIEF**
(PLUMBED TO PVC)
SECTION - NO SCALE



7.02 **LINE FLUSHING VALVE**
(PLUMBED TO PVC)
SECTION - NO SCALE

IRRIGATION LEGEND			
SYMBOL	DESCRIPTION	MANUFACTURE & MODEL NO.	REMARKS
⬢	EXISTING STATION NO. & CONTROLLER USED		ALL VALVES THAT ARE INVOLVED IN THIS PROJECT ARE CONNECTED TO CONTROLLER B
⊖	G.P.M. DEMAND		
○	DETAIL NUMBER		DETAIL DRAWING NUMBERS BELOW 10 ARE LOCATED ON PLAN R-3453B SHEET 3 OF 5. DETAIL DRAWING NUMBERS ABOVE 1000 ARE LOCATED IN THE SPECIAL PROVISIONS
—	PVC LATERAL LINE/HEADER (PURPLE PIPE)	3/4" SCHEDULE 40 PVC	
—	TECHLINE DRIP EMITTER LATERAL (PURPLE PIPE)	NETAFIM TL0L-6-24"	0.6 GPH, 24" DRIPPER INTERVAL
⊕	AIR/VACUUM RELIEF VALVE	NETAFIM TLAVRV WITH 1/2" MPT	IN ROUND PLASTIC VALVE BOX W/PURPLE LID, DETAIL 6.02
⊕	FLUSHING VALVE	NETAFIM TL050MF V-1 WITH 1/2" MPT	IN ROUND PLASTIC VALVE BOX W/PURPLE LID, DETAIL 7.02
⊕	PRESSURE REDUCING VALVE	NETAFIM PRV075HF20	CONNECT TO EXIST RCV IN EXIST BOX SEE DETAIL 3.03



8.05 **TECHLINE SUB-HEADER**
INSTALLATION
NO SCALE

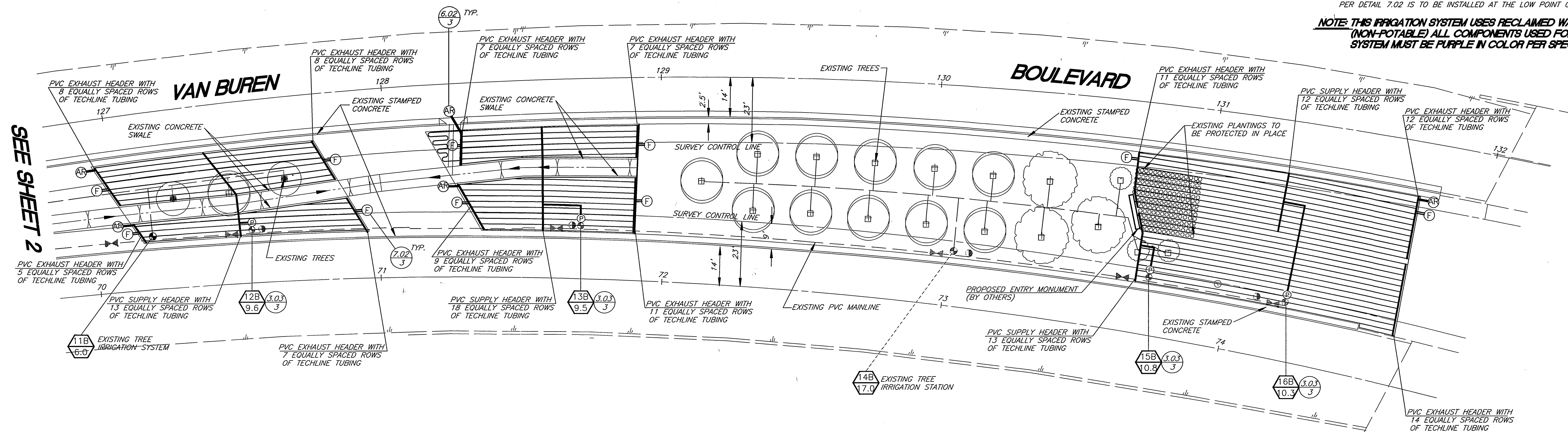
NOTES:
1. SEE PLANS & LEGEND FOR ALL DIMENSIONS AND Techline LATERAL SPACING
2. RATIO OF Techline LATERALS TO START CONNECTIONS IS SHOWN AT 2:1, BUT MAY VARY PER HYDRAULIC DEMAND ON START CONNECTION. (SEE PLANS & LEGEND)

IRRIGATION LEGEND (EXISTING SYSTEM)		
SYMBOL	DESCRIPTION	REMARKS
⊖	PRESSURE REGULATOR	EXISTING AT POINT OF WATER SUPPLY
⊖	BACKFLOW DEVICE IN ENCLOSURE	EXISTING AT POINT OF WATER SUPPLY
⊖	CONTROLLER IN ENCLOSURE	EXISTING IN ENCLOSURE
⊖	MASTER CONTROL VALVE	EXISTING AT POINT OF WATER SUPPLY
⊖	REMOTE CONTROL VALVE	EXISTING VALVE W/DISC FILTER IN 12" X18" VALVE BOX
⊖	QUICK COUPLER VALVE	EXISTING (ALONG MEDIANS)
—	CONSTANT PRESSURE MAIN LINE	EXISTING (PROTECT IN PLACE)
—	PVC SCHEDULE 40 SLEEVE	EXISTING (PROTECT IN PLACE)
—	IRRIGATION CONTROL WIRE	EXISTING (NOT SHOWN)
⊕	AIR/VACUUM RELIEF VALVE	SEE DETAIL 6.02 ON SHT 3 OF 5
⊕	LINE FLUSHING VALVE	SEE DETAIL 7.02 ON SHT 3 OF 5

GENERAL NOTES

- TECHLINE LATERAL TUBE SPACING IS BASED ON A "NOMINAL" 24" O.C. SPACING, 0.60 GPH FLOW AND 24" DRIPPER INTERVAL. TUBING TO BE PLACED ON GRADE AND HELD IN PLACE WITH 6" TECHLINE STAPLES (5" MAXIMUM SPACING)
- PVC SUPPLY AND EXHAUST HEADERS ARE TO BE BURIED A MINIMUM OF 4"
- TEST IRRIGATION SYSTEM FOR COVERAGE AND SATURATION PRIOR TO PLANTING
- APPLY 2" THICK WOOD CHIPS TO COVER ALL PIPING, AFTER FINAL APPROVAL OF IRRIGATION SYSTEM, WOOD CHIP STOCKPILE SOURCE TO BE PROVIDED BY PARK & RECREATION DEPT. PER SPECS.
- ALL PLANTING AREAS ARE TO BE REGRADED AROUND THE EDGES TO ALLOW THE FINISH GRADE OF THE WOOD CHIPS TO BE 2" LOWER THAN THE ADJACENT CONCRETE.
- ALL PIPING AND VALVE BOX LIDS SHALL BE PURPLE IN COLOR
- EXISTING TREE IRRIGATION SYSTEM TO BE PROTECTED IN PLACE DURING CONSTRUCTION.
- ALL EXISTING IRRIGATION BOXES ARE TO BE ADJUSTED TO GRADE, 1" ABOVE FINAL GRADE OF WOOD CHIPS.
- THESE PLANS ARE DIAGRAMMATIC ONLY. THE AIR/VACUUM RELIEF VALVE PER DETAIL 6.02 IS TO BE INSTALLED AT THE HIGH POINT OF EACH STATION. THE LINE FLUSHING VALVE PER DETAIL 7.02 IS TO BE INSTALLED AT THE LOW POINT OF EACH STATION.

NOTE: THIS IRRIGATION SYSTEM USES RECLAIMED WATER (NON-POTABLE) ALL COMPONENTS USED FOR THIS SYSTEM MUST BE PURPLE IN COLOR PER SPECS.



BENCHMARK:
TOP OF E'LY BOLT OF 12" DIA. TRAFFIC SIGNAL BASE AT NELY CURB RETURN OF VAN BUREN BLVD @ JURUPA AVE. PER LL 32/32.
ELEV. - 726.22

ENGINEER IN RESPONSIBLE CHARGE
Thomas John Boyd
THOMAS JOHN BOYD
R.C.E. No. C 36170 expires 6/30/2000

REGISTERED PROFESSIONAL ENGINEER
THOMAS JOHN BOYD
No. C 36170
Exp. 6-30-00
CIVIL
STATE OF CALIFORNIA

MARK	REVISIONS	APPR.	DATE

CITY OF RIVERSIDE, CALIFORNIA
PUBLIC WORKS DEPARTMENT

APPROVED BY: *R. Mc Grath*
ENGINEERING MANAGER
PRINCIPAL ENGINEER
STREET SERVICES
SURVEYOR
TRAFFIC DIVISION
PARKS DEPARTMENT
PUBLIC UTILITIES

DATE: 5-10-99

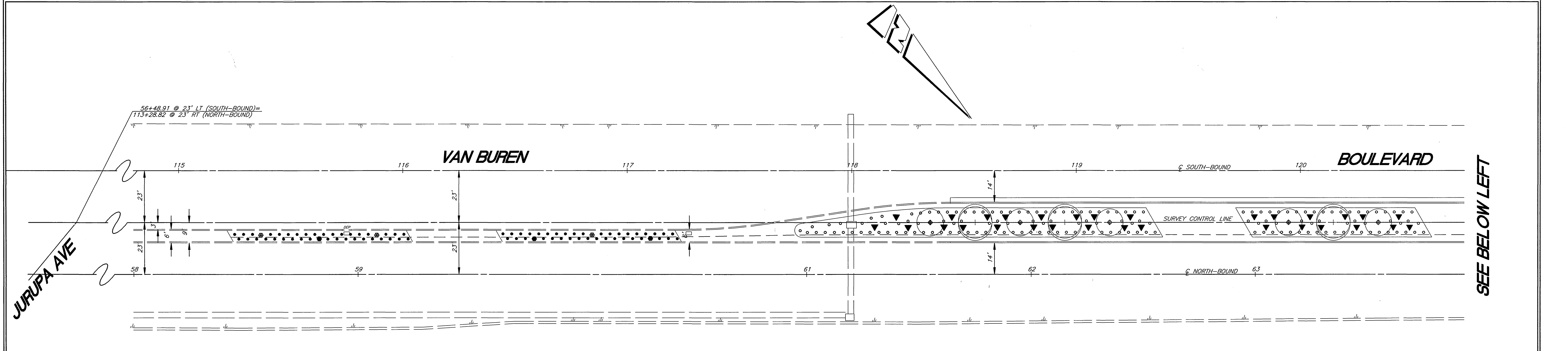
IRRIGATION PLANS
VAN BUREN BLVD
MEDIAN LANDSCAPING
JURUPA AVE TO SANTA ANA RIVER

HORIZ. SCALE: 1" = 20'

ACCT. NO. 430-541500-44022-30290
430-541500-440301-30290

R-3453B
SHEET 3 of 5

INDEXED 1-5-2000 LHM

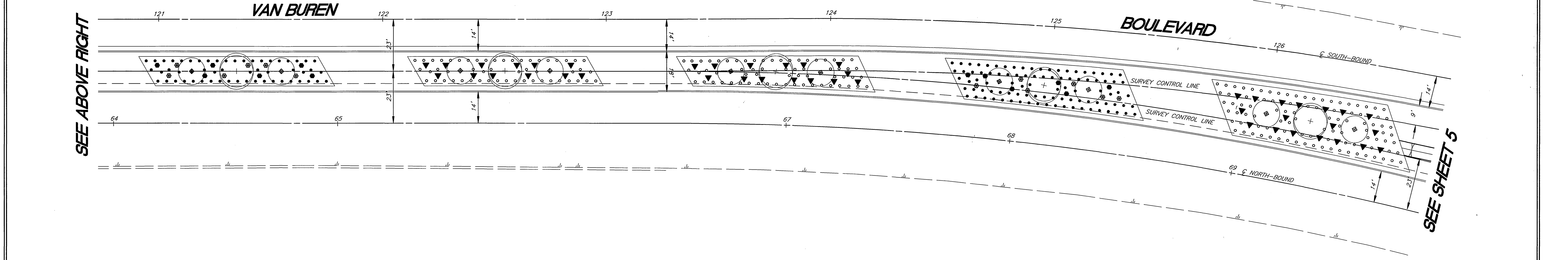


PLANTING LEGEND

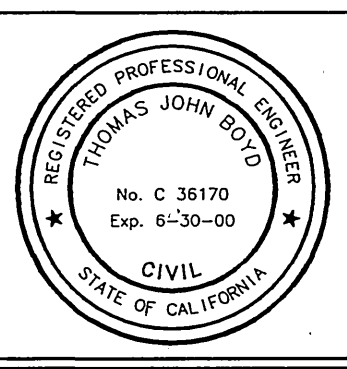
- LANTANA MONTEVIDENSIS
LAVENDER SWIRL
1 GAL. @ 2' O.C.
580 REQUIRED
- ▼ RHAPHIOLEPIS INDICA
INDIA HAWTHORN
5 GAL. (SPACED AS SHOWN)
107 REQUIRED
- LANTANA MONTEVIDENSIS
SPREADING SUNSHINE
1 GAL. @ 2' O.C.
400 REQUIRED
- ⊗ NERIUM OLEANDER
PETITE PINK
5 GAL. (SPACED AS SHOWN)
30 REQUIRED
- NERIUM OLEANDER
PETITE SALMON
5 GAL. (SPACED AS SHOWN)
27 REQUIRED

TREE SYMBOLS

- ⊕ EXISTING MAYTEN TREE
- ◆ EXISTING DESERT CATALPA TREE



ENGINEER IN RESPONSIBLE CHARGE
Thomas Boyd
 THOMAS JOHN BOYD
 R.C.E. No. C 36170 expires 6/30/2000
 DATE 5/2/99



DESIGNED BY	CURT	DRAWN BY	RVZ	CHECKED BY	
REVISIONS		APPR.	DATE		

CITY OF RIVERSIDE, CALIFORNIA PUBLIC WORKS DEPARTMENT			
APPROVED BY	BY	DATE	APPROVED BY
ENGINEERING MANAGER	<i>R. Mc Knath</i>	5/10/99	PUBLIC WORKS DIRECTOR
PRINCIPAL ENGINEER			
STREET SERVICES			
SURVEYOR			
TRAFFIC DIVISION			
PARKS DEPARTMENT			
PUBLIC UTILITIES			

LANDSCAPE PLAN
VAN BUREN BLVD
MEDIAN LANDSCAPING
JURUPA AVE TO SANTA ANA RIVER
 HORIZ. SCALE: 1" = 20'

ACCT. NO. 430-541500-440222-30280
 430-541500-440301-30290
R-3453B
 SHEET 4 of 5

IN OBER 1-5-2000 4H

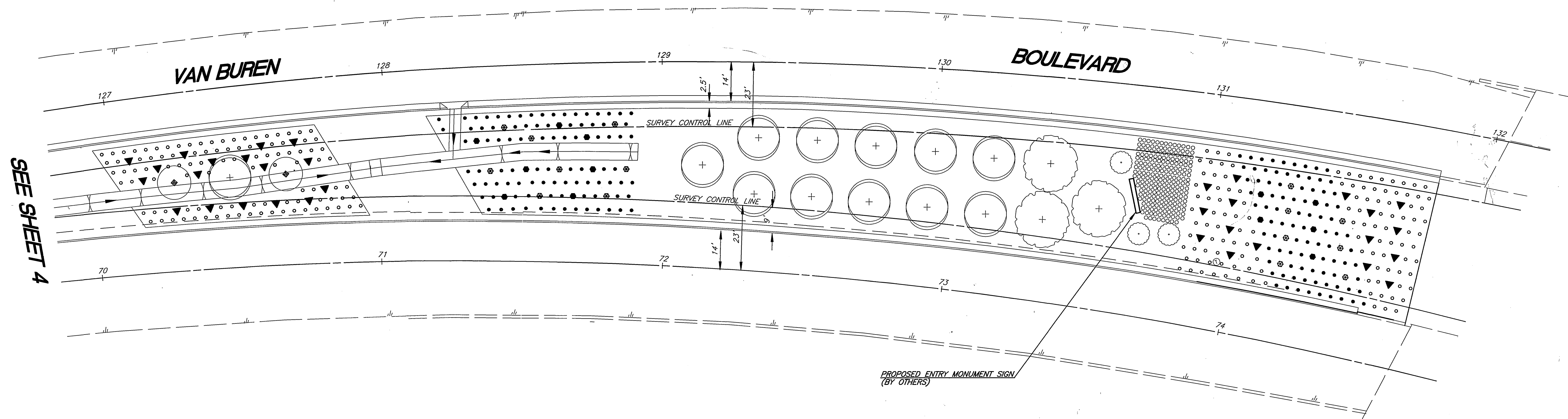
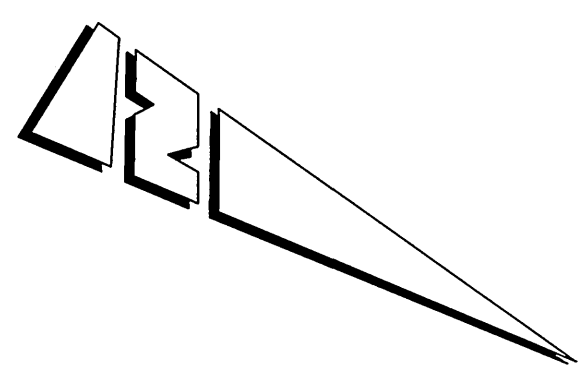
PC-4169-H

PLANTING LEGEND

- LANTANA MONTEVIDENSIS
LAVENDER SWIRL
1 GAL. @ 2" O.C.
580 REQUIRED
- ▼ RHAPHOLEPIS INDICA
INDIA HAWTHORN
5 GAL. (SPACED AS SHOWN)
107 REQUIRED
- LANTANA MONTEVIDENSIS
SPREADING SUNSHINE
1 GAL. @ 2" O.C.
400 REQUIRED
- ⊗ NERIUM OLEANDER
PETITE PINK
5 GAL. (SPACED AS SHOWN)
30 REQUIRED
- NERIUM OLEANDER
PETITE SALMON
5 GAL. (SPACED AS SHOWN)
27 REQUIRED

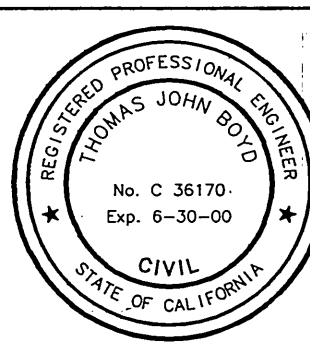
TREE SYMBOLS

- ⊕ EXISTING MAYTEN TREE
- ⊖ EXISTING DESERT CATALPA TREE
- ⊕ EXISTING NAVEL ORANGE TREE
- EXISTING KUMQUAT TREE



SEE SHEET 4

ENGINEER IN RESPONSIBLE CHARGE
Thomas Boyd
THOMAS JOHN BOYD
R.C.E. No. C 36170 expires 6/30/2000
DATE 5/7/99



MARK	REVISIONS	APPR.	DATE

DESIGNED BY RVZ DRAWN BY RVZ CHECKED BY

CITY OF RIVERSIDE, CALIFORNIA
PUBLIC WORKS DEPARTMENT

APPROVED BY	BY	DATE	APPROVED BY
ENGINEERING MANAGER	<i>RVZ</i>	5/7/99	<i>P. M. Smith</i>
PRINCIPAL ENGINEER	<i>RVZ</i>	5/7/99	PUBLIC WORKS DIRECTOR
STREET SERVICES			
SURVEYOR			
TRAFFIC DIVISION	<i>RVZ</i>	5/7/99	DATE 5-10-99
PARKS DEPARTMENT			
PUBLIC UTILITIES			

LANDSCAPE PLAN
**VAN BUREN BLVD
MEDIAN LANDSCAPING
JURUPA AVE TO SANTA ANA RIVER**

HORIZ. SCALE: 1" = 20' VERT. SCALE: 1" = 2'

ACCT. NO. 430-541500-440222-30290
430-541500-440301-30290
R-3453B
SHEET 5 of 5

PC-4185-H