

RIVERSIDE CALIFORNIA

INCORPORATED 1883
CITY OF RIVERSIDE

PUBLIC WORKS DEPARTMENT

MADISON STREET STREETScape IMPROVEMENTS LINCOLN AVENUE TO EVANS STREET

CONSTRUCTION LEGEND



SHEET INDEX

R-3454	SHEET 1	COVER SHEET AND TYPICAL SECTION.
R-3454	SHEETS 2-3	STREET IMPROVEMENTS
R-3454	SHEET 4	STREET IMPROVEMENT DETAILS
R-3454	SHEET 5	BUS SHELTER PLANS
R-3454	SHEET 6	GRINDING AND OVERLAY PLAN
R-3454	SHEETS 7-8	IRRIGATION SLEEVING PLANS
R-3454	SHEETS 10-12	PLANTING PLANS
X-450	SHEET 1	TRAFFIC SIGNAL
U5-674022	SHEETS 1-7	UNDERGROUND ELECTRICAL
U5-674022	SHEETS 1-6	UNDERGROUND CABLE TELEVISION
LB(28)17660	SHEETS 1-4	UNDERGROUND TELEPHONE
LB-671133	SHEET 1	STREET LIGHTING SYSTEM

SPECIFIC CONSTRUCTION NOTES

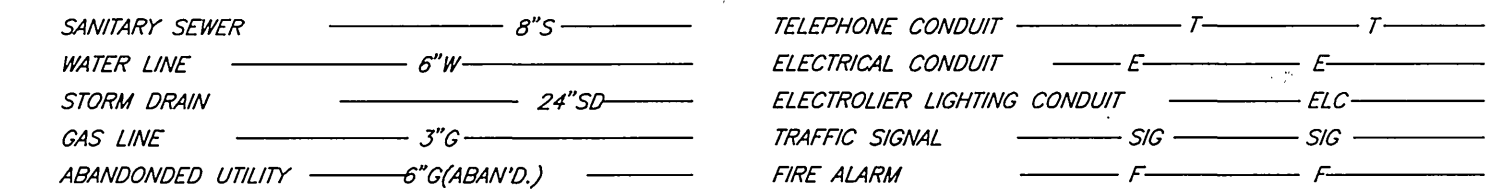
- NUMBERS ABOVE 100 IN A HEXAGON ON THE PLAN REFER TO THE RESPECTIVE STANDARD DRAWING AND SHALL BE CONSTRUCTED ACCORDINGLY. UNLESS MODIFICATIONS ARE NOTED ON THE PLAN OR COVER SHEET. ANY NUMBER SHOWN BELOW THE STANDARD DRAWING NUMBER INDICATES THE SPECIFIC ALTERNATE TO BE CONSTRUCTED.
- ADJ ADJUST SEWER, STORM DRAIN, ELECTRIC OR WATER MANHOLE OR GATE VALVE TO GRADE. ADJUSTMENT TO GRADE OR RELOCATION OF GAS & TELEPHONE COMPANY'S FACILITIES WILL BE DONE BY OTHERS.
- G1 GRIND EXIST. AC. 0.08" BELOW GUTTER LIP OR OUTER EDGE, "DAY-LIGHTING" IN 5' (TYPE 1 GRINDING) EXCEPT AS SHOWN OTHERWISE ON PLAN AND DESCRIBED IN SPECIAL PROVISIONS.
- R I REMOVE EXISTING TREE. CLASS 1 - 6"-18" DIA.
- R&R ST REMOVE EXISTING STRUCTURAL SECTION WITHIN 1' OF THE PROPOSED CURB FACE. REPLACE WITH 0.5' THICK D.G.A.C. OVER 0.95' C.A.B. OVER COMPACTED NATIVE SOIL.
- TDL TRAFFIC DETECTOR LOOP INSTALLATIONS.
5 NUMBER OF DETECTOR LOOPS.
- VAR OL CONSTRUCT VARIABLE THICKNESS D.G.A.C. OVERLAY. (0.1' MINIMUM THICKNESS)
- W 3/4" WATER METER TO BE INSTALLED BY PUBLIC UTILITIES DEPARTMENT, WATER DIVISION.
- A INDICATES DETAIL
4 INDICATES SHEET NO.
- 1 REMOVE EXISTING STRUCTURAL SECTION INCLUDING ALL BASE MATERIALS WITHIN ALL PROPOSED PLANTER AREAS TO THE DEPTH OF THE NATIVE SOIL WHEREVER POSSIBLE. (PROTECT ALL EXISTING UTILITIES IN PLACE) BACKFILL WITH CLEAN LIGHTWEIGHT TOPSOIL TO THE SUBGRADE ELEVATION FOR THE IRRIGATION SYSTEM AS APPROVED BY THE PARKS DEPARTMENT REPRESENTATIVE.
- 2 CONSTRUCT RAISED MEDIAN PER DETAIL "A" SHEET 4.
- 3 CONSTRUCT RAISED PARKWAY PLANTER PER DETAIL "B" SHEET 4.
- 4 CONSTRUCT P.C.C. CROSSWALK PER DETAIL "C" SHEET 4.
- 5 CONSTRUCT RAISED PARKWAY PLANTER PER DETAIL "D" SHEET 4.
- 6 CONSTRUCT BUS SHELTER PER SHEET 5.
- 7 INSTALL R7 TRAFFIC CONTROL SIGN PER STD. DRAWING NO. 666.
- 8 SAWCUT AND REMOVE 4' x 3' AREA OF EXISTING CONCRETE SIDEWALK FOR TREE WELL.

GENERAL CONSTRUCTION NOTES

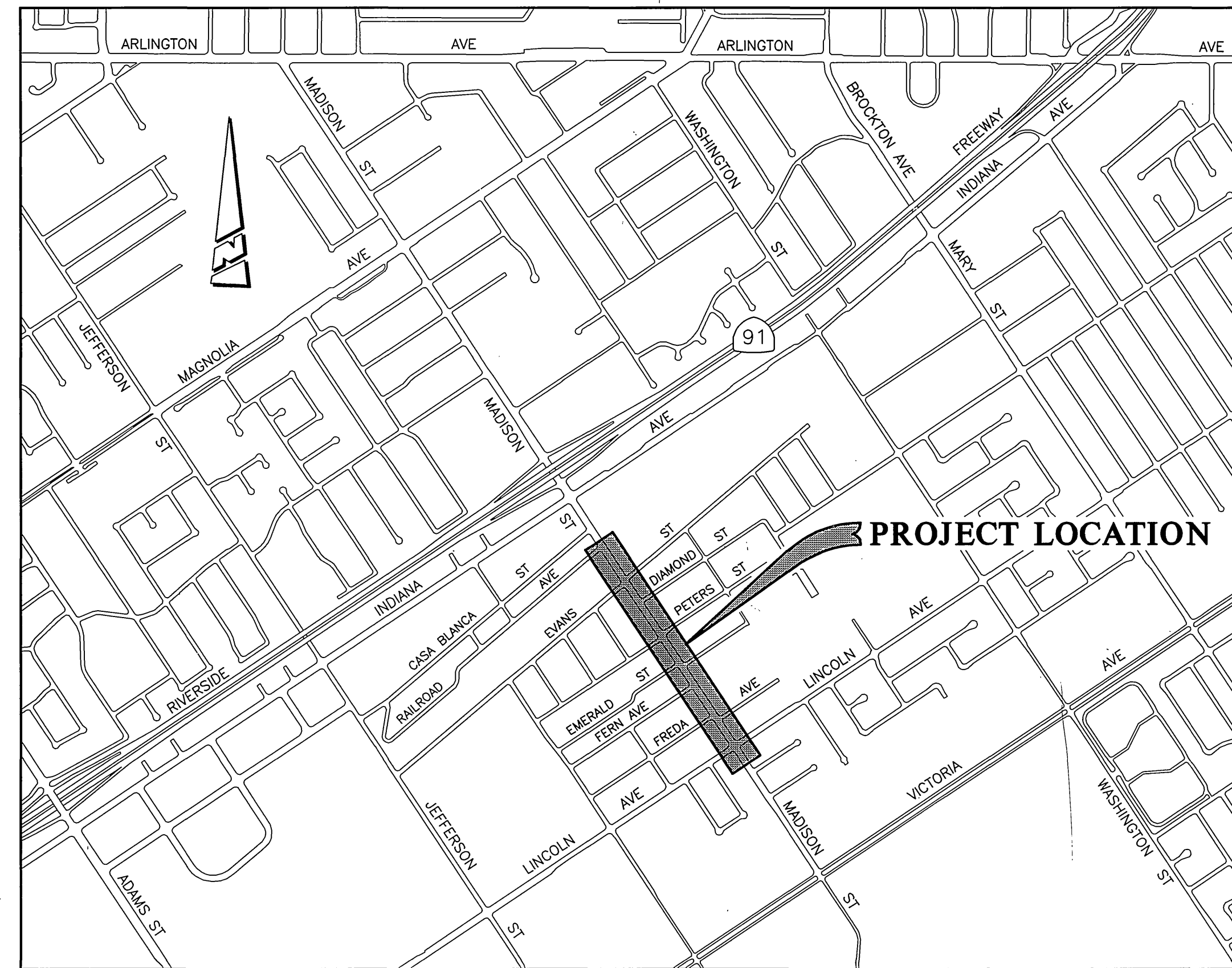
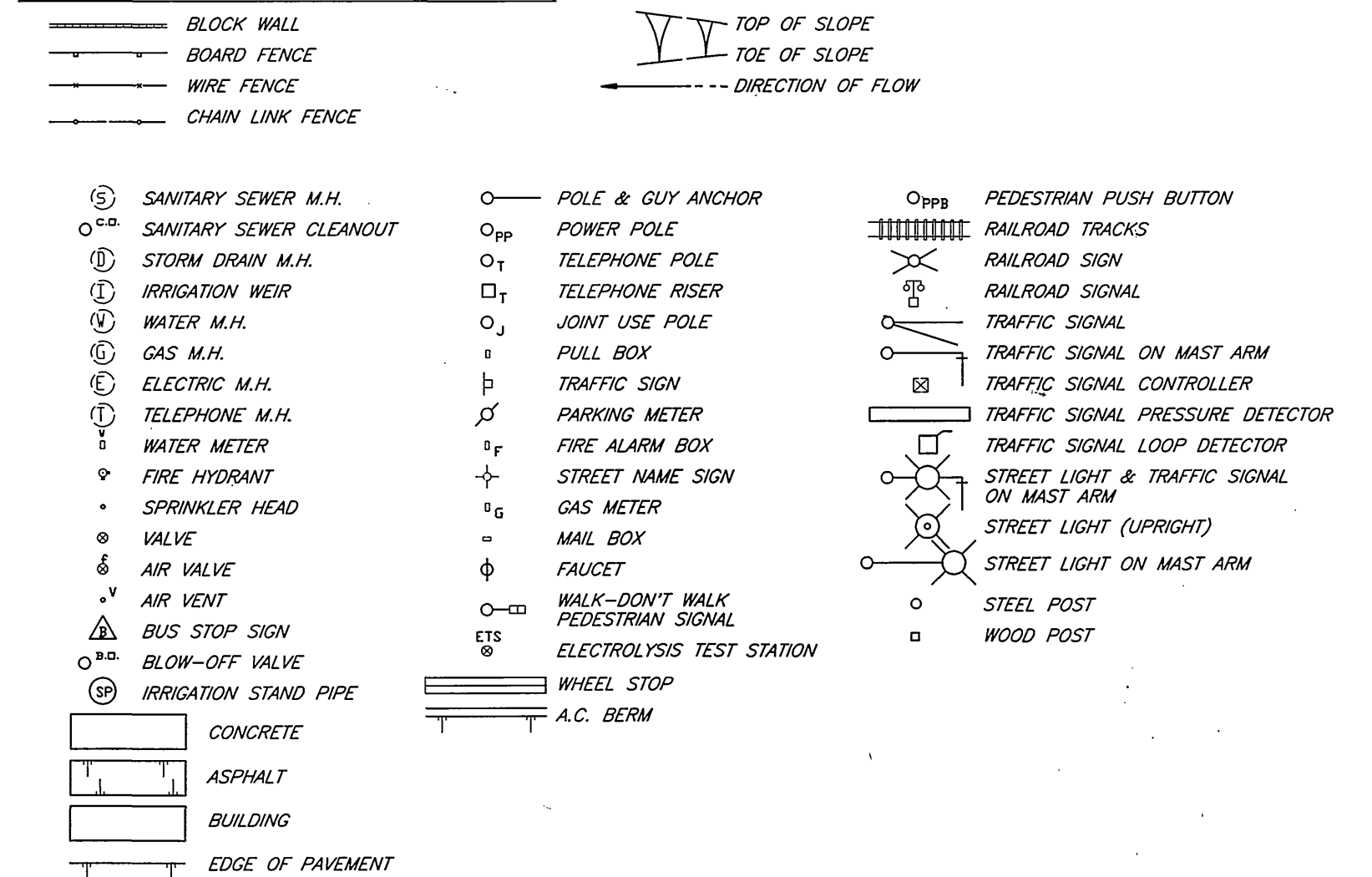
- EXISTING UTILITIES SHOWN ON THIS PLAN ARE PLOTTED FROM UTILITY RECORDS. THE CONTRACTOR IS REQUIRED TO TAKE DUE PRECAUTIONARY MEASURES TO LOCATE AND PROTECT ALL UTILITIES WHETHER OR NOT SHOWN ON THIS PLAN. IF THE COVER OF A UTILITY IS KNOWN, IT IS SHOWN IN THE PROFILE. UTILITIES SHOWN IN THE PROFILE AS INDICATES THAT THE COVER IS UNKNOWN, BUT THE UTILITY IS NOT EXPECTED TO CONFLICT WITH THE PROPOSED IMPROVEMENTS.
- ALL ELEVATIONS SHOWN ON THE PLANS SHALL BE STAKED IN THE FIELD.
- PRIME CONTRACTORS BIDDING THIS WORK SHALL HAVE A CLASS "A" LICENSE.
- CONSTRUCTION SHALL BE IN ACCORDANCE WITH THE CITY OF RIVERSIDE STANDARD DWGS AND STANDARD SPECIFICATIONS FOR PUBLIC WORKS CONSTRUCTION, 1997 EDITION.

EXISTING UNDERGROUND & TOPOGRAPHY LEGEND

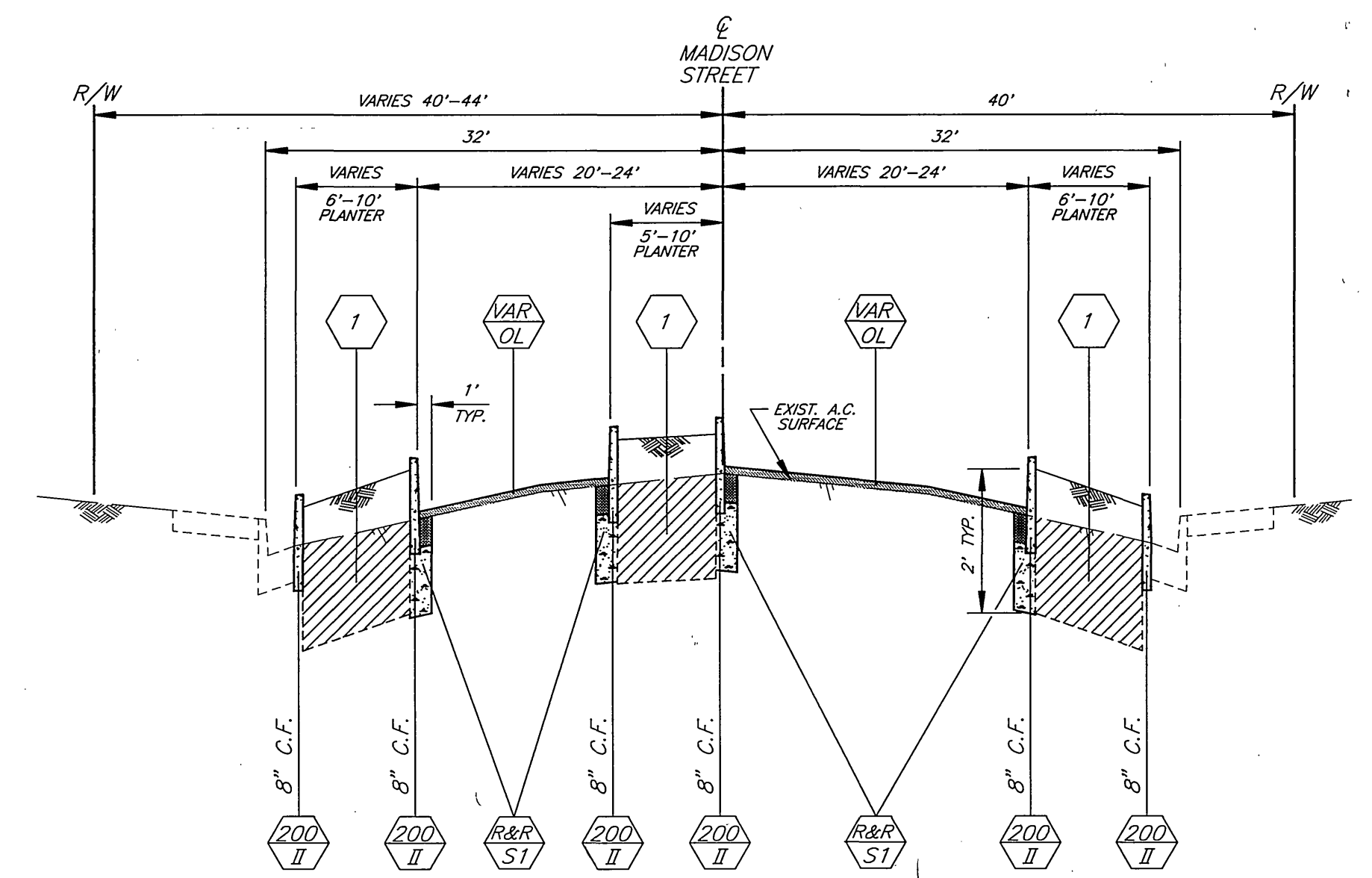
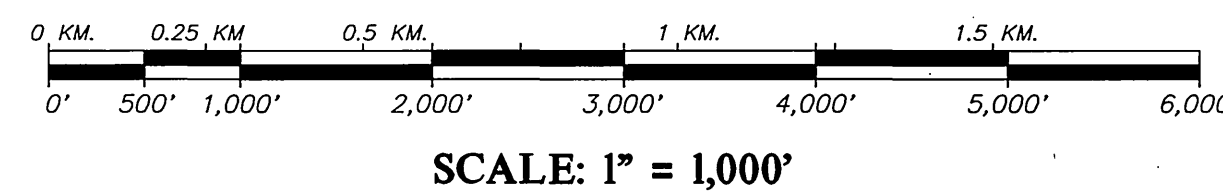
EXISTING UNDERGROUND UTILITIES:



EXISTING TOPOGRAPHY:



PROJECT LOCATION PLAN



TYPICAL SECTION MADISON STREET

SCALE: HORIZ. 1"=10'
VERT. 1"=2'

IMPORTANT NOTICE
Section 4216/4217 of the Government Code requires a Dig Alert identification Number to be issued before a "Holes to Excavate" will be made. For your Dig Alert ID, Number call
CALL TOLL FREE
48 HOURS BEFORE YOU DIG
UNDERGROUND SERVICE ALERT
1-800-227-2600

ENGINEER IN RESPONSIBLE CHARGE
Richard D. McGrath
RICHARD D. MCGRATH
R.C.E. No. 31952 expires 12/31/00
DATE C-26-98

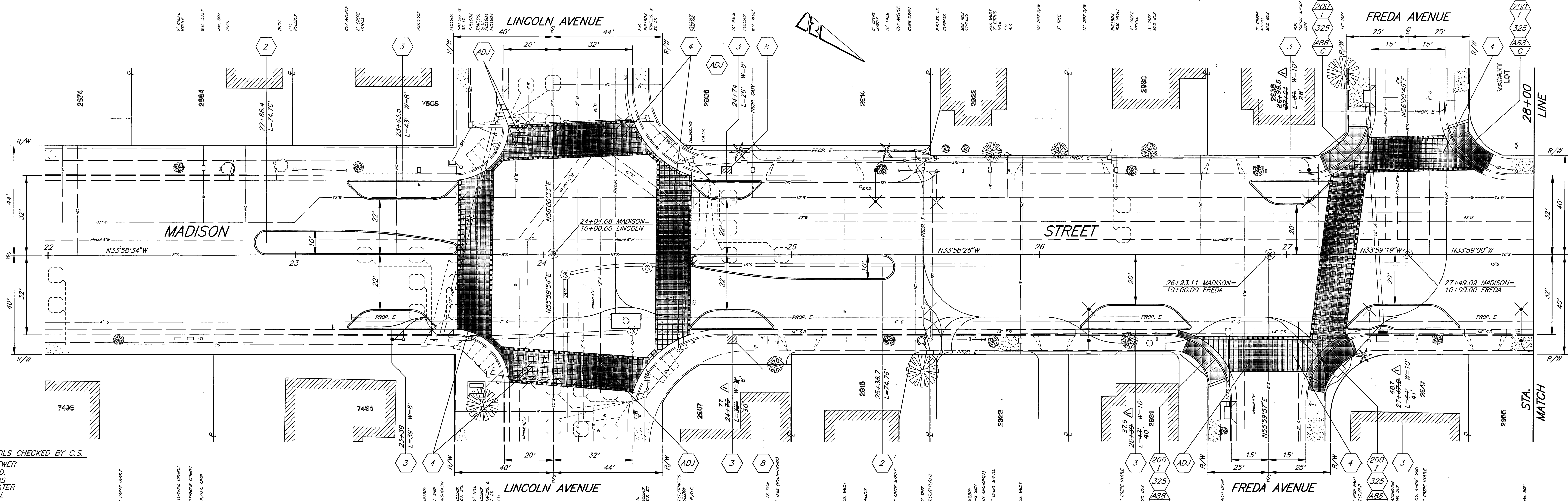
REGISTERED PROFESSIONAL ENGINEER
RICHARD D. MCGRATH
No. 31952
Exp. 12-31-00
CIVIL
STATE OF CALIFORNIA

MARK REVISIONS APPR. DATE
DESIGNED BY R.G. FANN DRAWN BY R.G. FANN CHECKED BY

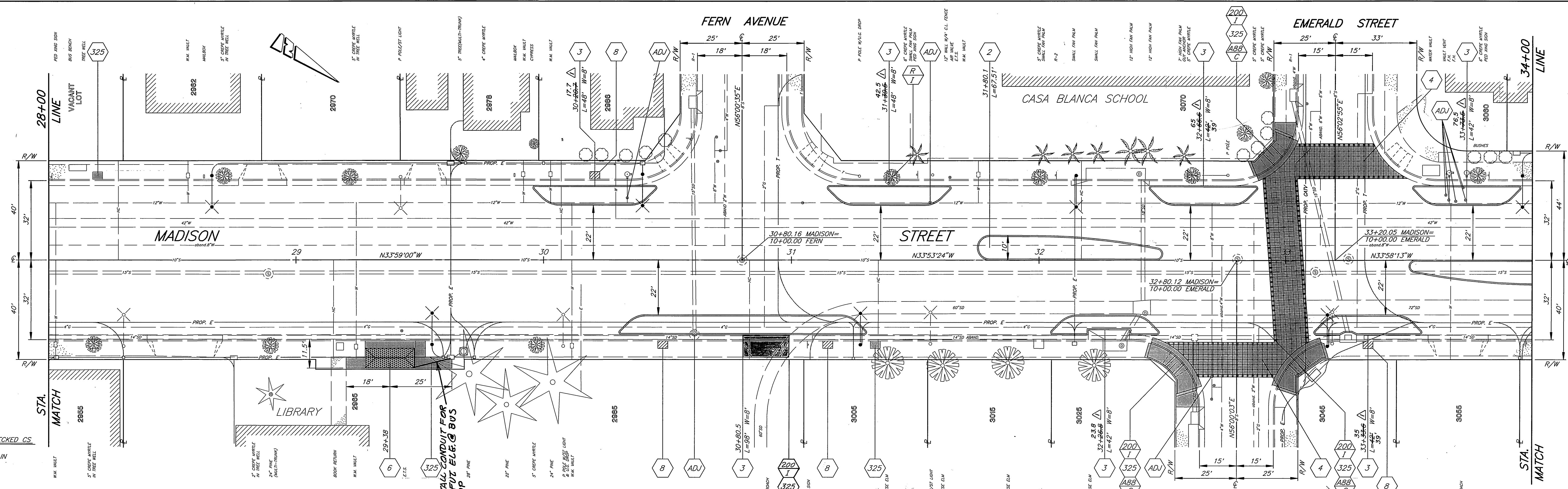
CITY OF RIVERSIDE, CALIFORNIA
PUBLIC WORKS DEPARTMENT
APPROVED BY [Signature] DATE [Date]
PRINCIPAL ENGINEER
STREET SERVICES
SURVEYOR
TRAFFIC DIVISION
PARKS DEPARTMENT

MADISON STREET
STREETScape IMPROVEMENTS
LINCOLN AVE. TO EVANS ST.

ACCT. NO. 472-528120-440446-90162
R-3454
SHEET 1 OF 8



UTILS CHECKED BY C.S.
SEWER
S.D.
GAS
WATER
TEL



UTILITY CHECKED CS
SEWER
STORM DRAIN
GAS
WATER
TEL

CONSTRUCTION NOTES

- 2 CONSTRUCT RAISED MEDIAN PER DETAIL "A" SHEET 4.
- 3 CONSTRUCT RAISED PARKWAY PLANTER PER DETAIL "B" SHEET 4.
- 4 CONSTRUCT P.C.C. CROSSWALK PER DETAIL "C" SHEET 4.
- 6 CONSTRUCT BUS SHELTER PER SHEET 5.
- 8 SAWCUT AND REMOVE 4' x 3' AREA OF EXISTING CONCRETE SIDEWALK FOR TREE WELL.
- R REMOVE EXISTING TREE. CLASS 1 - 6"-18" DIA.

INSTALL CONDUIT FOR FUT. ELE. BUS STOP

* AS-BUILT 10-20-03 LHM

ENGINEER IN RESPONSIBLE CHARGE
Richard D. McGrath
RICHARD D. McGRATH
R.C.E. No. 31952 expires 12/31/00
DATE: 6-26-98

REGISTERED PROFESSIONAL ENGINEER
RICHARD D. McGRATH
No. 31952
Exp. 12-31-00
CIVIL
STATE OF CALIFORNIA

CITY OF RIVERSIDE, CALIFORNIA
PUBLIC WORKS DEPARTMENT

APPROVED BY: **R. McGrath**
PRINCIPAL ENGINEER
DATE: 6/21/98

APPROVED BY: **R. McGrath**
PUBLIC WORKS DIRECTOR
DATE: 6/21/98

REVISIONS: REVISED PLANTER LENGTH AND/OR STATION. 7/28 3/98

DESIGNED BY: R.G. FANN, DRAWN BY: JAZZ, CHECKED BY:

MADISON STREET
STREETSCAPE IMPROVEMENTS
LINCOLN AVE. TO EVANS ST.

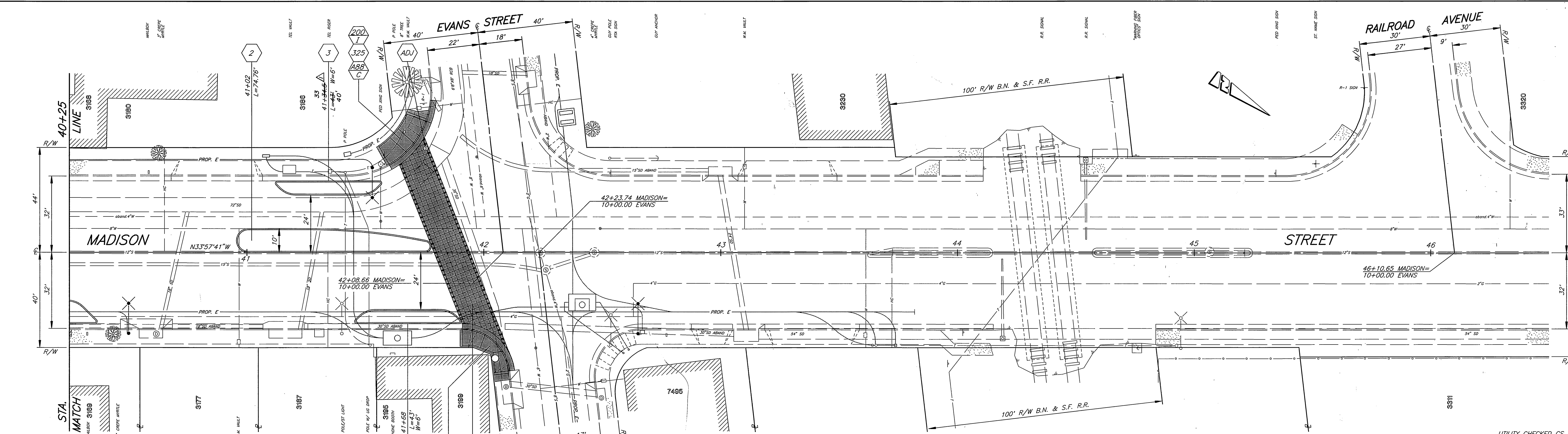
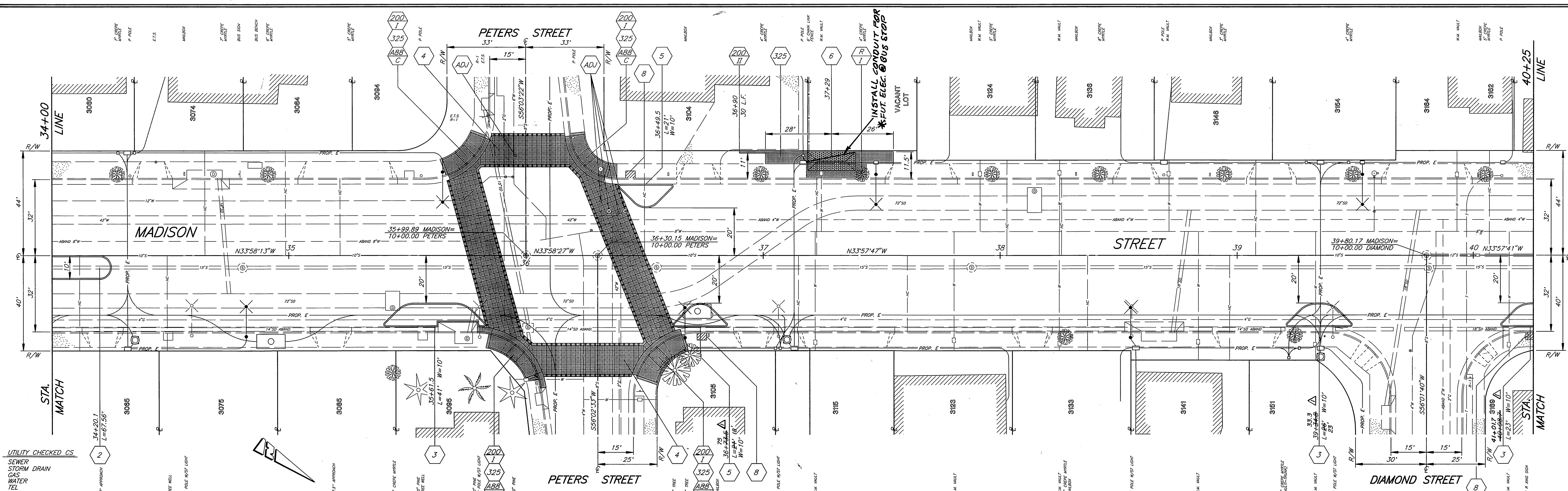
HORIZ. SCALE: 1" = 20'

ACCT. NO. 472-528120-440446-90162

R-3454

SHEET 2 OF 8

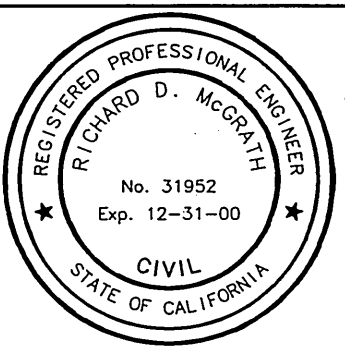
INDEXED 12-16-99 LHM



- CONSTRUCTION NOTES**
- 2 CONSTRUCT RAISED MEDIAN PER DETAIL "A" SHEET 4.
 - 3 CONSTRUCT RAISED PARKWAY PLANTER PER DETAIL "B" SHEET 4.
 - 4 CONSTRUCT P.C.C. CROSSWALK PER DETAIL "C" SHEET 4.
 - 5 CONSTRUCT RAISED PARKWAY PLANTER PER DETAIL "D" SHEET 4.
 - 6 CONSTRUCT BUS SHELTER PER SHEET 5.

- 8 SAWCUT AND REMOVE 4' x 3' AREA OF EXISTING CONCRETE SIDEWALK FOR TREE WELL.
- R REMOVE EXISTING TREE. CLASS I - 6" - 18" DIA.

ENGINEER IN RESPONSIBLE CHARGE
Richard D. McGrath
 RICHARD D. McGRATH
 R.C.E. No. 31952 expires 12/31/00
 DATE C-26-98



REVISIONS	DATE
REVISED PLANTER LENGTH AND/OR STATION	7/28 3/8/99

CITY OF RIVERSIDE, CALIFORNIA
 PUBLIC WORKS DEPARTMENT

APPROVED BY	DATE	APPROVED BY	DATE
PRINCIPAL ENGINEER	3/22/99	<i>R. McGrath</i>	3/22/99
STREET SERVICES SUPERVISOR		PUBLIC WORKS DIRECTOR	
TRAFFIC DIVISION			
PARKS DEPARTMENT			

DESIGNED BY: R.G. FANN DRAWN BY: 1123 CHECKED BY:

*AS-BUILT 10-20-03 LHM

MADISON STREET
 STREETScape IMPROVEMENTS
 LINCOLN AVE. TO EVANS ST.

ACCT. NO. 472-528120-440446-90162
R-3454
 SHEET 3 OF 8

HORIZ. SCALE: 1" = 20'

INDEXED 12-16-99 LHM

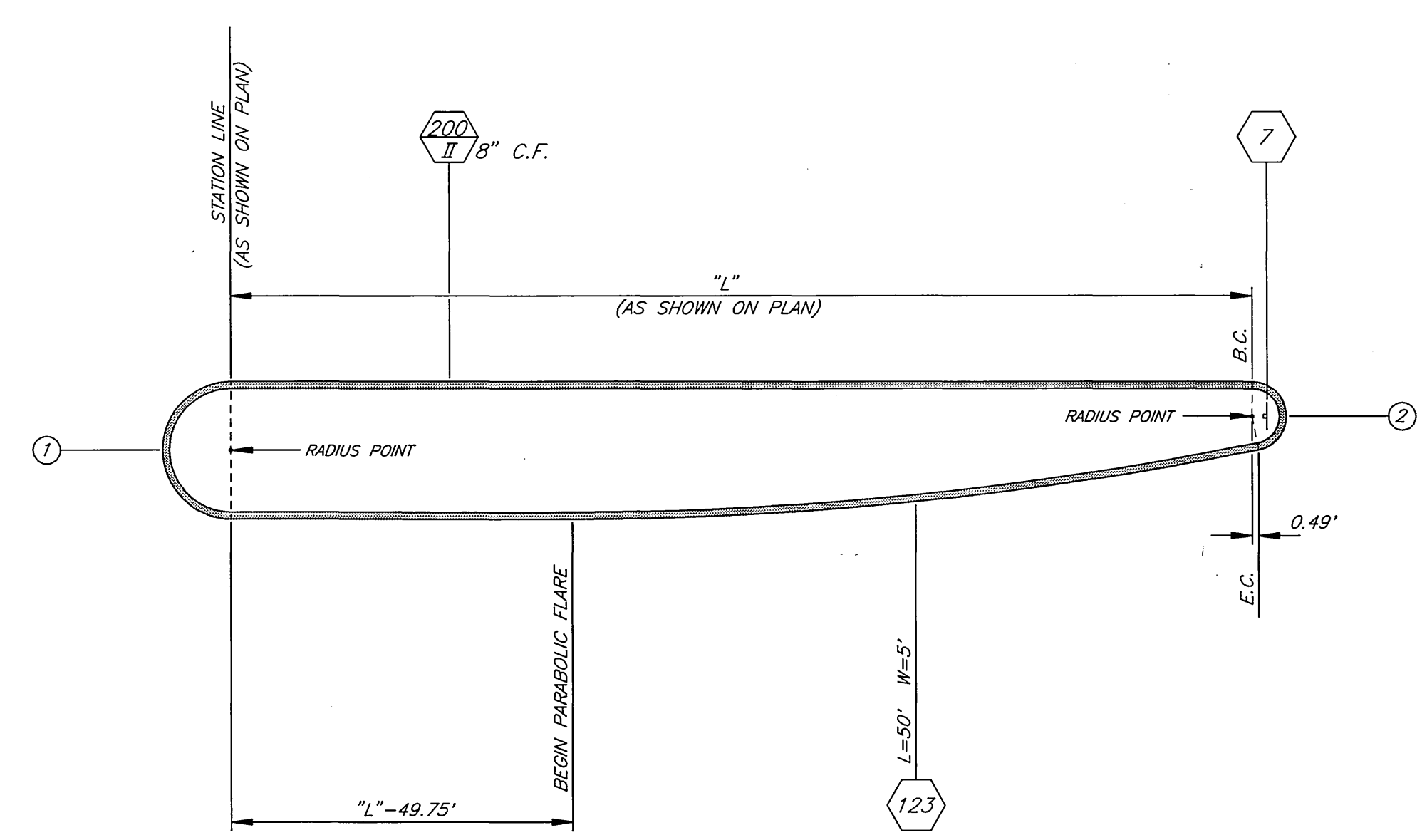
PC-4040-M

CURVE DATA				
Station	Δ	R	L	T
1	180° 00' 00"	5.00'	15.71'	---
2	168° 41' 24"	2.50'	7.36'	25.25'
3	135° 00' 00"	1.00'	2.36'	2.41'
4	45° 00' 00"	10.00'	7.85'	4.14'
5	90° 00' 00"	7.10'	11.15'	7.10'

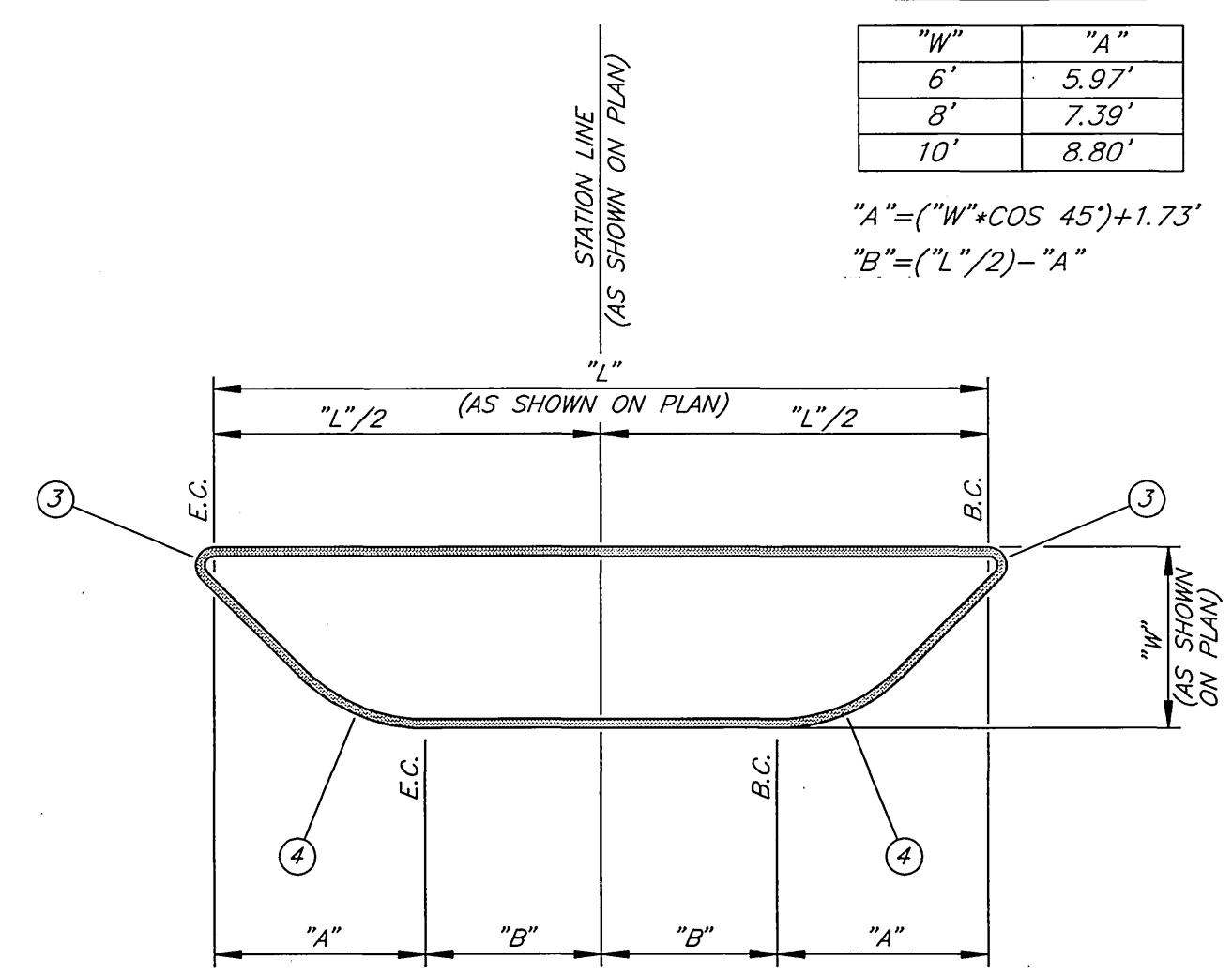
LAYOUT DATA

"W"	"A"
6'	5.97'
8'	7.39'
10'	8.80'

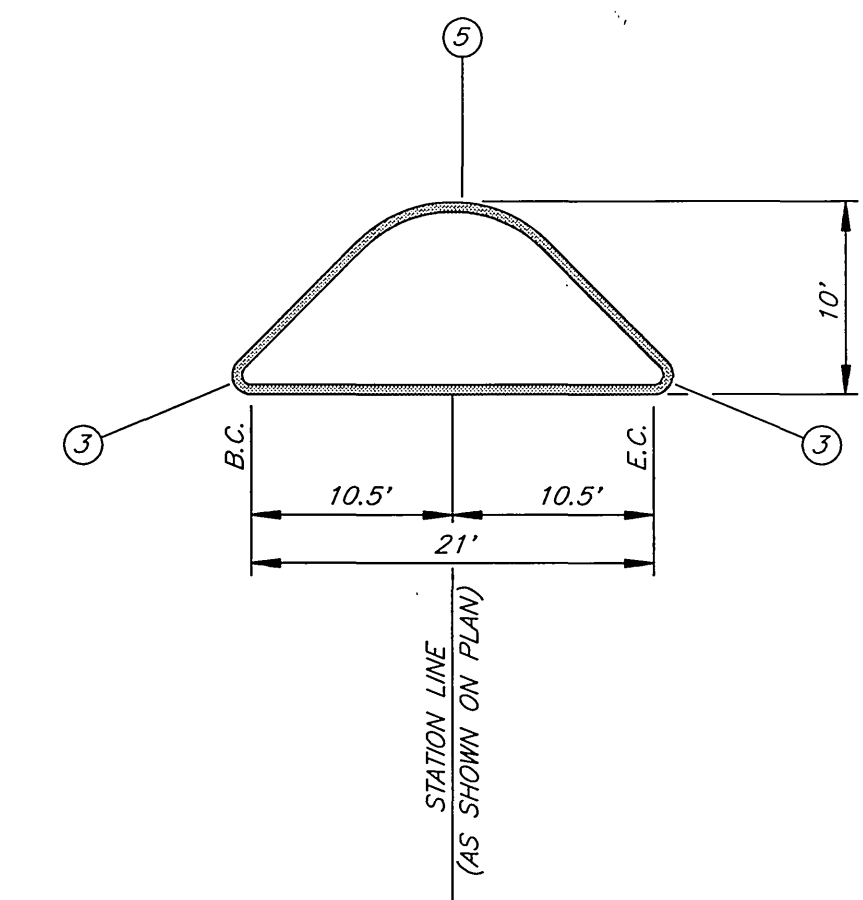
$A = (W \cdot \cos 45) + 1.73'$
 $B = (L/2) - A$



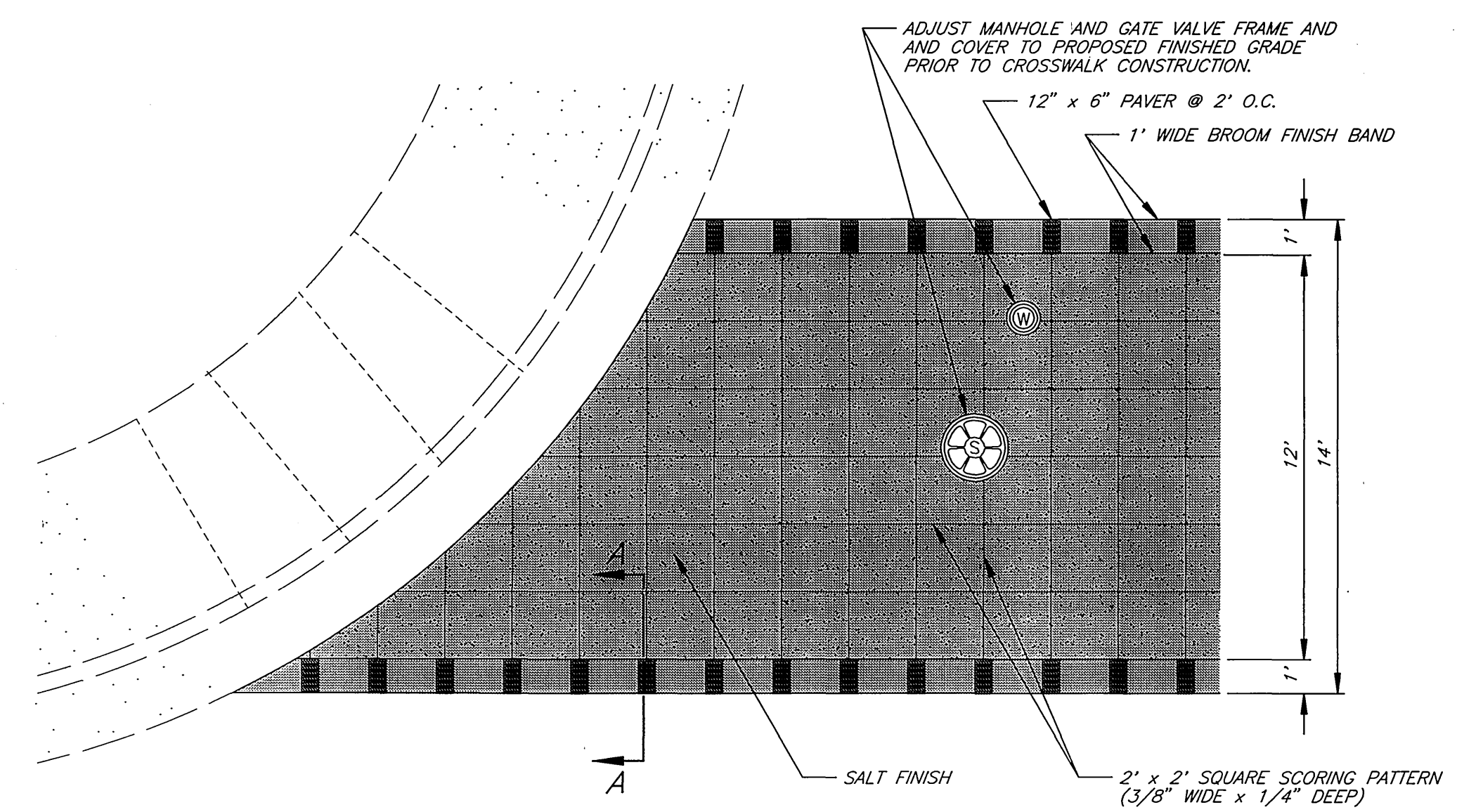
A
4
RAISED MEDIAN DETAIL
SCALE: 1"=10'



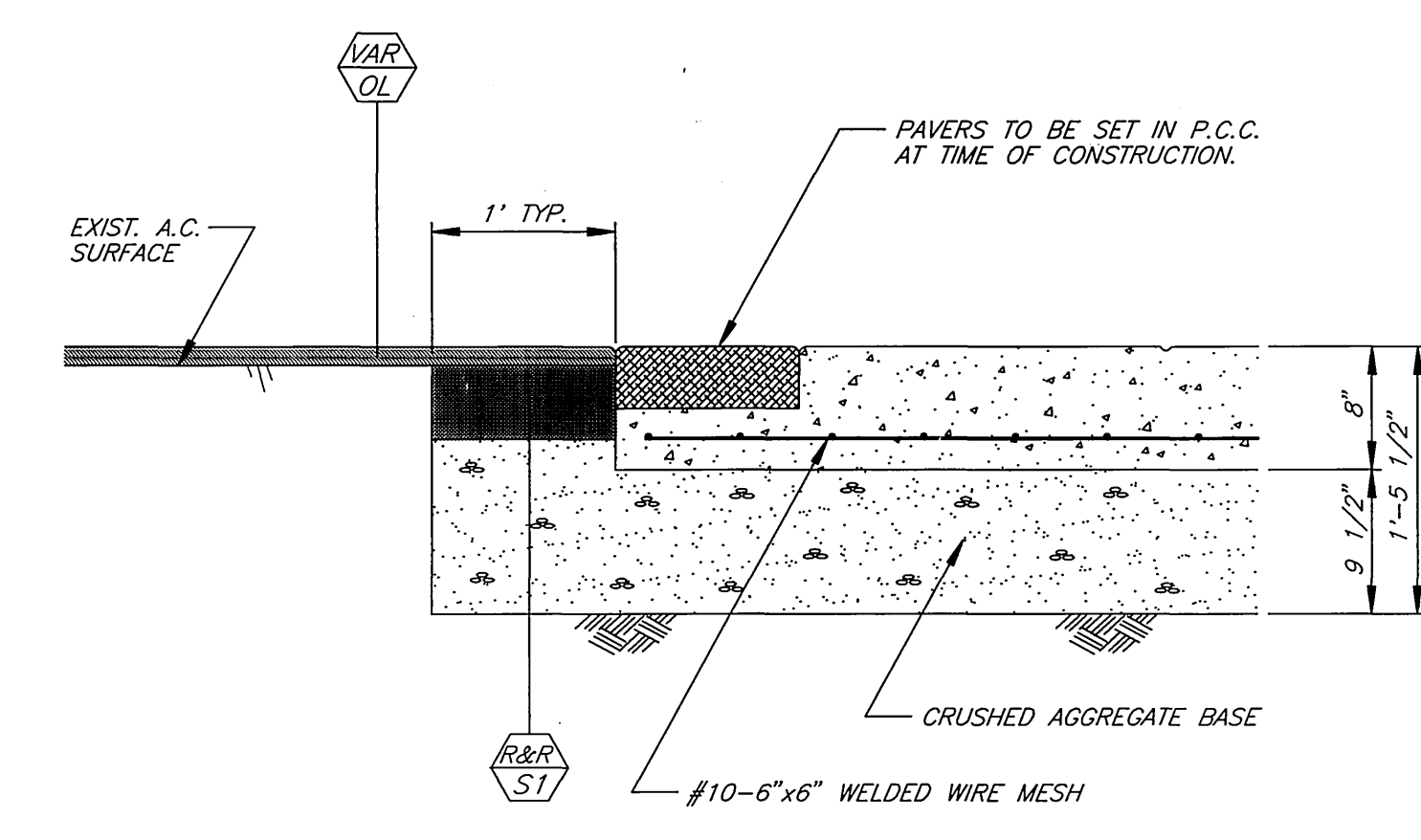
B
4
TYPICAL RAISED PARKWAY PLANTER DETAIL
SCALE: 1"=10'



D
4
RAISED PARKWAY PLANTER DETAIL
SCALE: 1"=10'



C
4
P.C.C. CROSSWALK DETAIL
SCALE: 1"=4'



SECTION A-A
SCALE: 1"=1'

CONSTRUCTION NOTES

- R&R S1** REMOVE EXISTING STRUCTURAL SECTION WITHIN 1' OF THE PROPOSED CURB FACE. REPLACE WITH 0.5" THICK D.G.A.C. OVER 0.95' C.A.B. OVER COMPACTED NATIVE SOIL.
- VAR OL** CONSTRUCT VARIABLE THICKNESS D.G.A.C. OVERLAY. (0.1" MINIMUM THICKNESS)
- 7** INSTALL R7 TRAFFIC CONTROL SIGN PER STD. DRAWING NO. 666.

GENERAL NOTES

- 1. P.C.C. CROSSWALK SHALL BE NATURAL CONCRETE IN COLOR.
- 2. 12" x 6" PAVERS SHALL BE 4" THICK AND ADOBE TAN IN COLOR. A SAMPLE PAVER SHALL BE SUBMITTED TO THE PUBLIC WORKS DEPARTMENT FOR APPROVAL PRIOR TO CONSTRUCTION.

ENGINEER IN RESPONSIBLE CHARGE
Richard D. McGrath
 RICHARD D. McGRATH
 R.C.E. No. 31952 expires 12/31/00
 DATE C-26-98



MARK	REVISIONS	APPR.	DATE

DESIGNED BY R.G. FANN, DRAWN BY R.G. FANN, CHECKED BY

CITY OF RIVERSIDE, CALIFORNIA
 PUBLIC WORKS DEPARTMENT

APPROVED BY	BY	DATE	APPROVED BY
PRINCIPAL ENGINEER	R. McGrath		R. McGrath
STREET SERVICES SUPERVISOR			PUBLIC WORKS DIRECTOR
TRAFFIC DIVISION			
PARKS DEPARTMENT			

DATE C-26-98

MADISON STREET
 STREETSCAPE IMPROVEMENTS
 LINCOLN AVE. TO EVANS ST.

HORIZ. SCALE: 1" = 20'

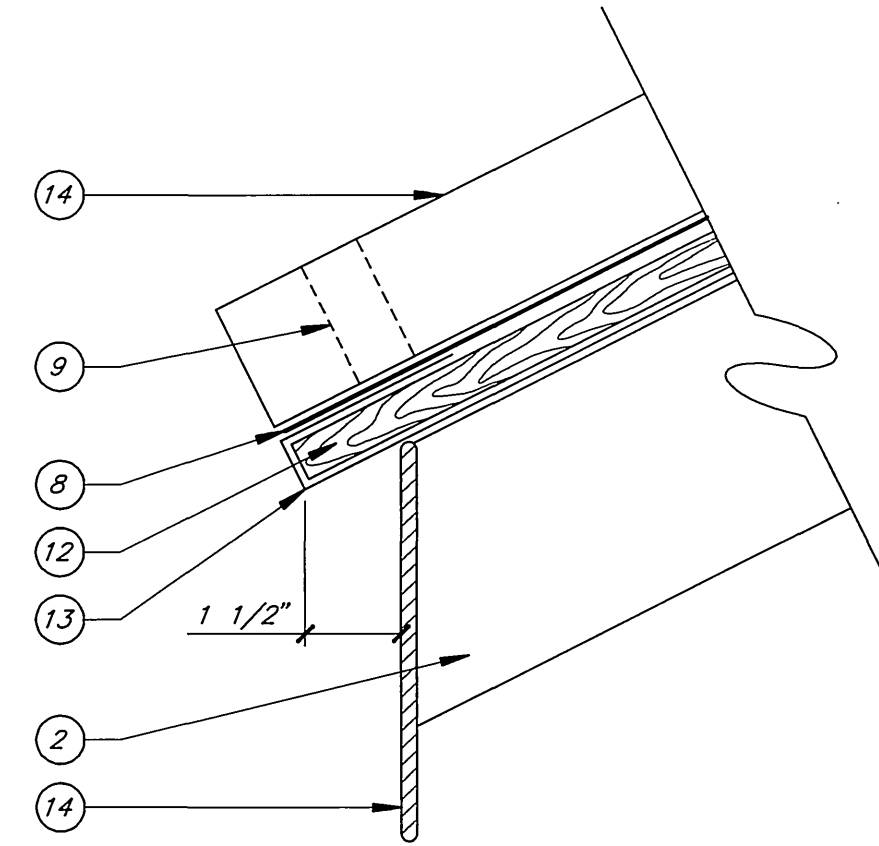
ACCT. NO. 472-528120-440446-90162
R-3454
 SHEET 4 OF 8

GENERAL NOTES:

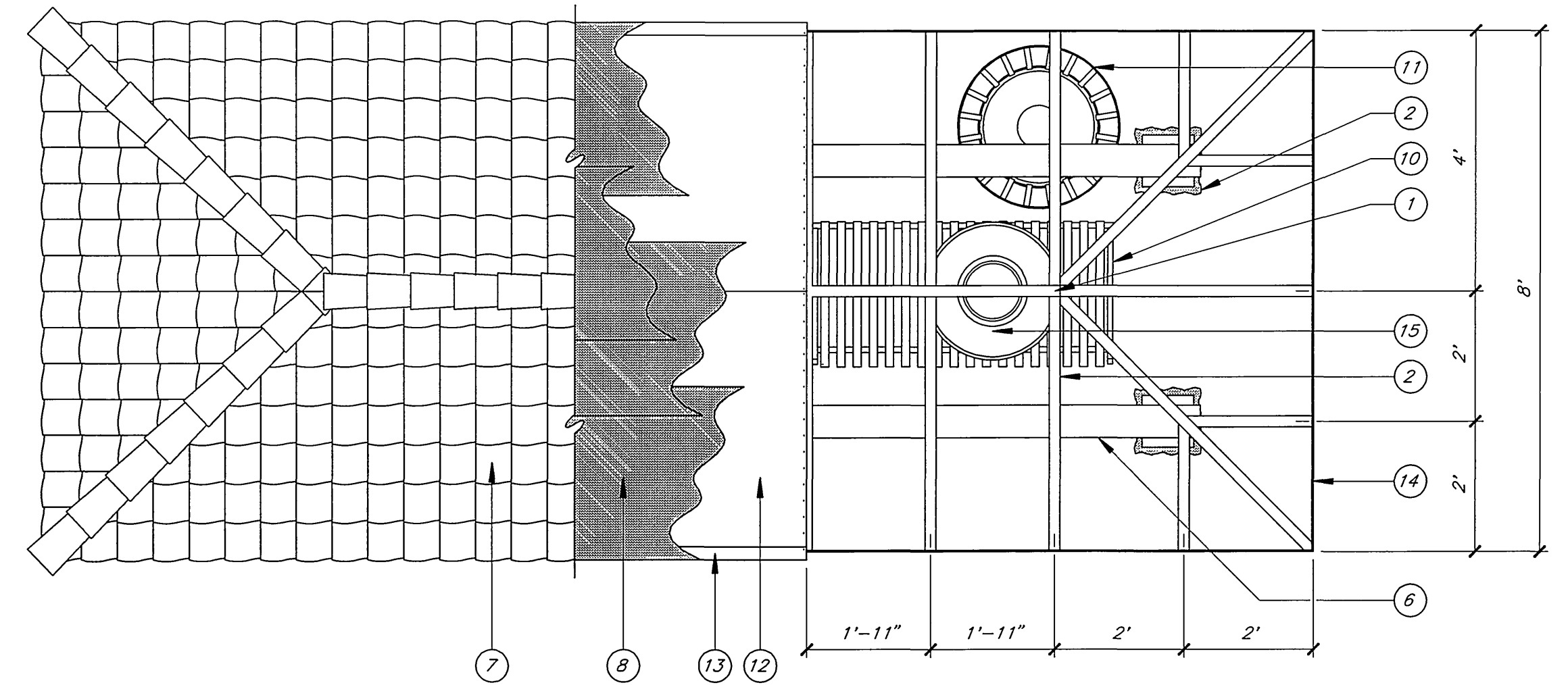
1. SIZING OF STRUCTURAL STEEL BEAMS AND CONCRETE FOOTINGS ARE SHOWN FOR ARCHITECTURAL DESIGN INTENT ONLY. CONTRACTOR SHALL DESIGN THE STRUCTURE, FOOTING, COLUMN, ROOF SYSTEM, AND LIGHTING. SHOP DRAWINGS WITH EXACT DIMENSIONS TO BE SUBMITTED TO THE PUBLIC WORKS DEPARTMENT FOR FINAL APPROVAL.
2. SPLIT FACE BLOCK COLUMNS SHALL BE ADOBE TAN IN COLOR. MORTAR USED IN COLUMN CONSTRUCTION SHALL MATCH BLOCK COLOR. COLORING COMPOUND SHALL BE ADDED AS AN INTEGRAL ADMIXTURE TO THE MORTAR. SAMPLES OF BLOCK AND MORTAR SHALL BE SUBMITTED TO THE PUBLIC WORKS DEPARTMENT FOR APPROVAL PRIOR TO CONSTRUCTION.
3. ALL METAL ROOF COMPONENTS (EXTERIOR SURFACES) SHALL BE PAINTED WITH AN APPROVED COLOR IN THE RANGE OF MISSION CLAY / TERRA-COTTA. ALL METAL ROOF COMPONENTS (INTERIOR SURFACES) INCLUDING ROOF RAFTERS, SHALL BE PAINTED WITH AN APPROVED COLOR IN THE RANGE OF BROWN.
4. METAL BUS BENCH AND METAL TRASH RECEPTACLE SHALL BE PAINTED WITH AN APPROVED COLOR IN THE RANGE OF MISSION CLAY / TERRA-COTTA.
5. METAL BUS BENCH AND METAL TRASH RECEPTACLE SHALL BE BOLTED INTO CONCRETE SIDEWALK PER MANUFACTURER'S RECOMMENDATIONS.
6. ELECTRICAL CONDUITS TO BE EMBEDDED IN COLUMNS AND PLACED INSIDE STEEL TUBING ROOF COMPONENTS. CONDUIT SHALL TERMINATE INTO STREET LIGHT PULL BOXES SHOWN ON DRAWING NO. L5-671133.

KEY NOTES:

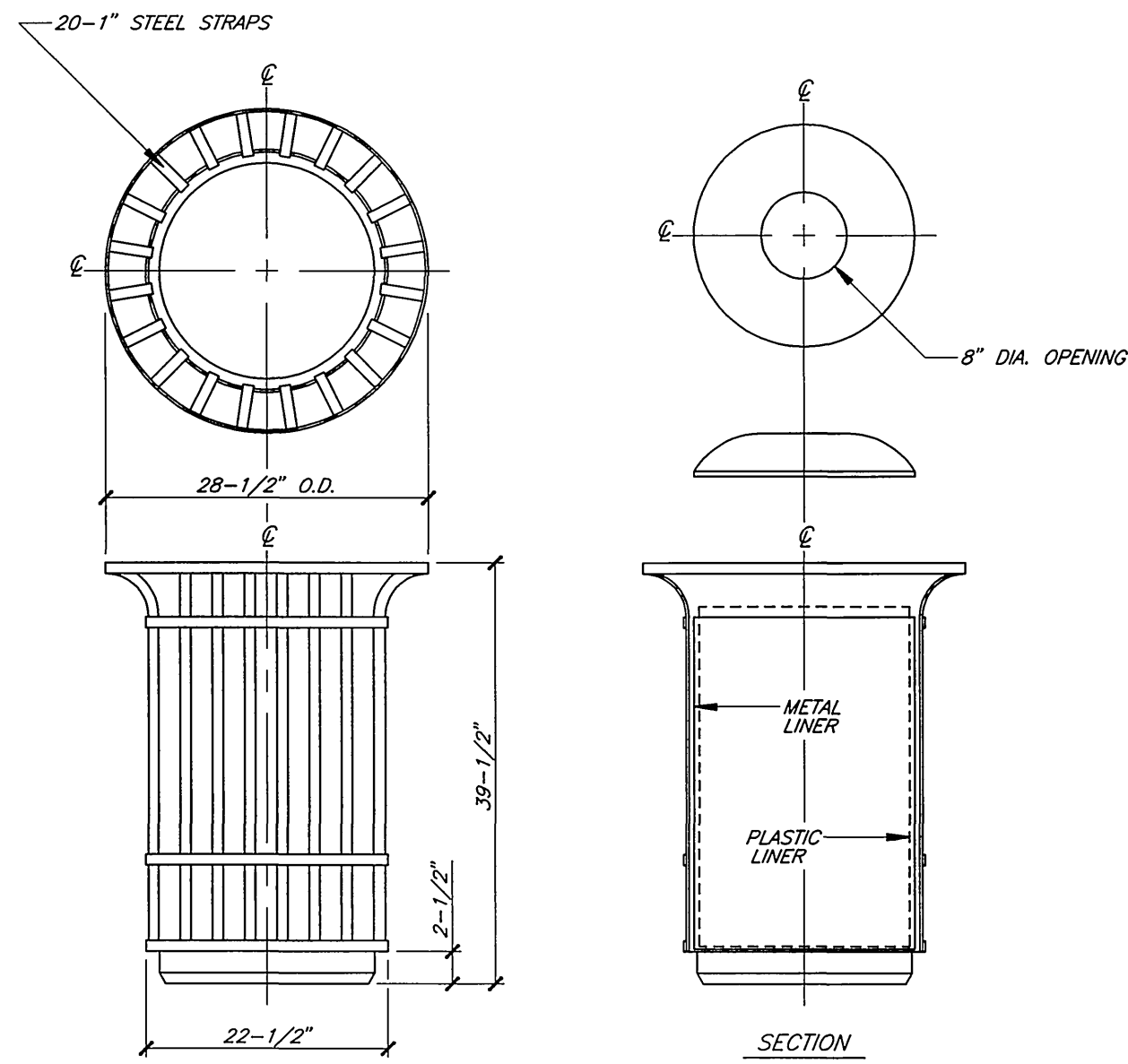
1. 6" x 2" x 3/16" RECTANGULAR STRUCTURAL STEEL TUBING "RIDGE RAFTER".
2. 3" x 2" x 3/16" RECTANGULAR STRUCTURAL STEEL TUBING "ROOF RAFTER".
3. 12" x 12" SPLIT FACE BLOCK COLUMN.
4. REINFORCED CONCRETE FOUNDATION.
5. CONCRETE SIDEWALK PER STD. DRAWING NO. 325.
6. STRUCTURAL STEEL BEAM.
7. METAL ROOF, 26 GA., CLAY TILE PATTERN.
8. ROOFING FELT - 30 LBS.
9. TILE PATTERN CLOSURE.
10. 4'-6" LONG METAL BENCH TWO (2) PER SHELTER.
11. METAL TRASH RECEPTACLE.
12. 5/8" PLYWOOD, STRUCTURAL II, CDX.
13. 16 GAUGE GALVANIZED SHEET METAL COVER WRAPPED AROUND EXPOSED FACIA EDGE OF PLYWOOD AT LEAST 3".
14. 6" x 3/16" STEEL PLATE FASCIA.
15. 70W - MH/240V MISSION BELL LUMINAIRE WITH PHOTO CONTROL. TWO (2) PER SHELTER.
16. 1" RIGID PLASTIC (DB) CONDUIT W/ 2-#8CU 600V. CABLES EMBEDDED IN COLUMN.



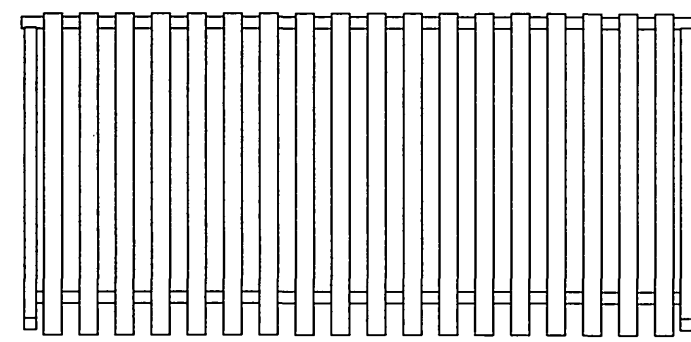
ROOF DETAIL
NO SCALE



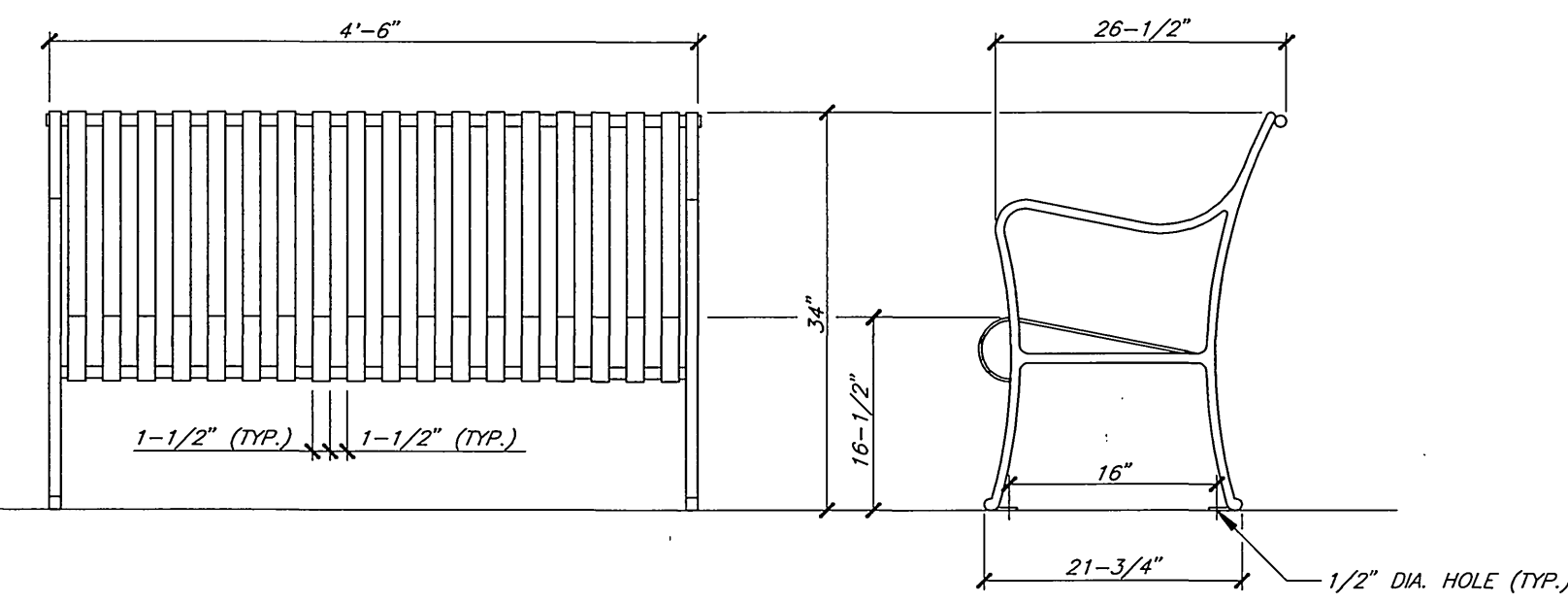
PLAN VIEW
SCALE: 1/2"=1'



METAL TRASH RECEPTACLE
SCALE: 3/4"=1'



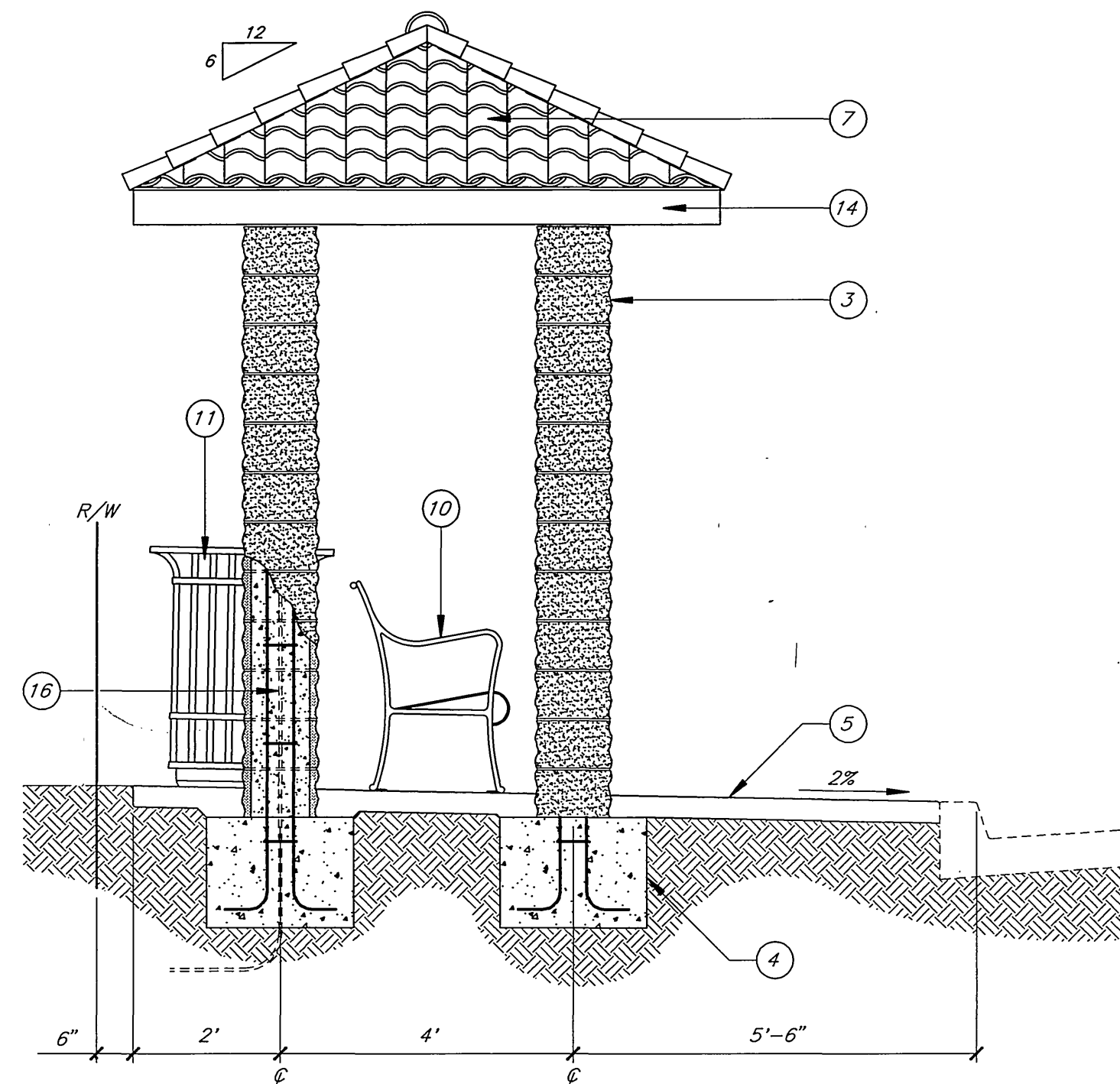
PLAN VIEW



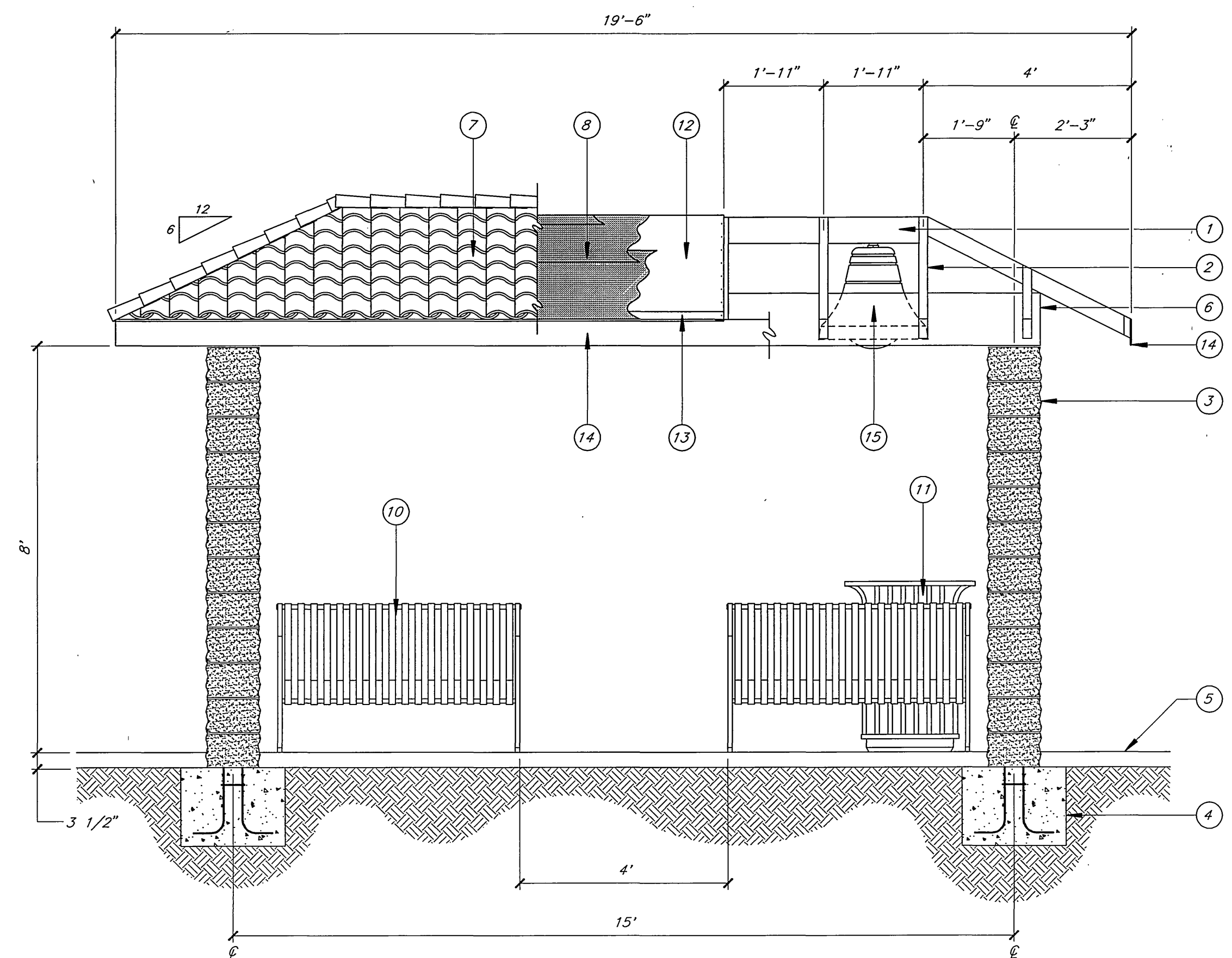
FRONT ELEVATION

SIDE ELEVATION

METAL BUS BENCH
SCALE: 3/4"=1'



SIDE ELEVATION
SCALE: 1/2"=1'



FRONT ELEVATION
SCALE: 1/2"=1'

ENGINEER IN RESPONSIBLE CHARGE
Richard D. McGrath
RICHARD D. MCGRATH
R.C.E. No. 31952 expires 12/31/00
DATE C-26-98

MARK	REVISIONS	APPR.	DATE

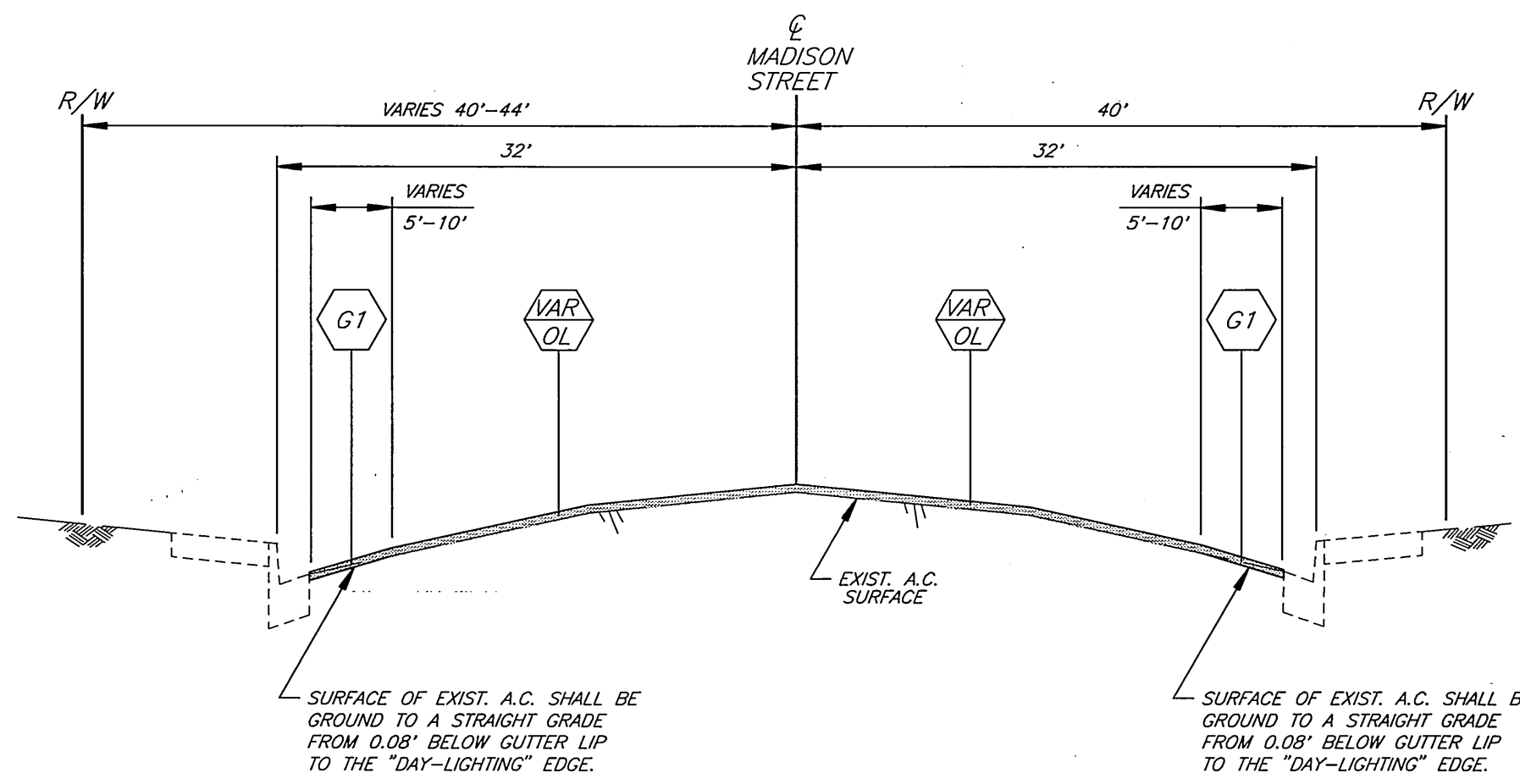
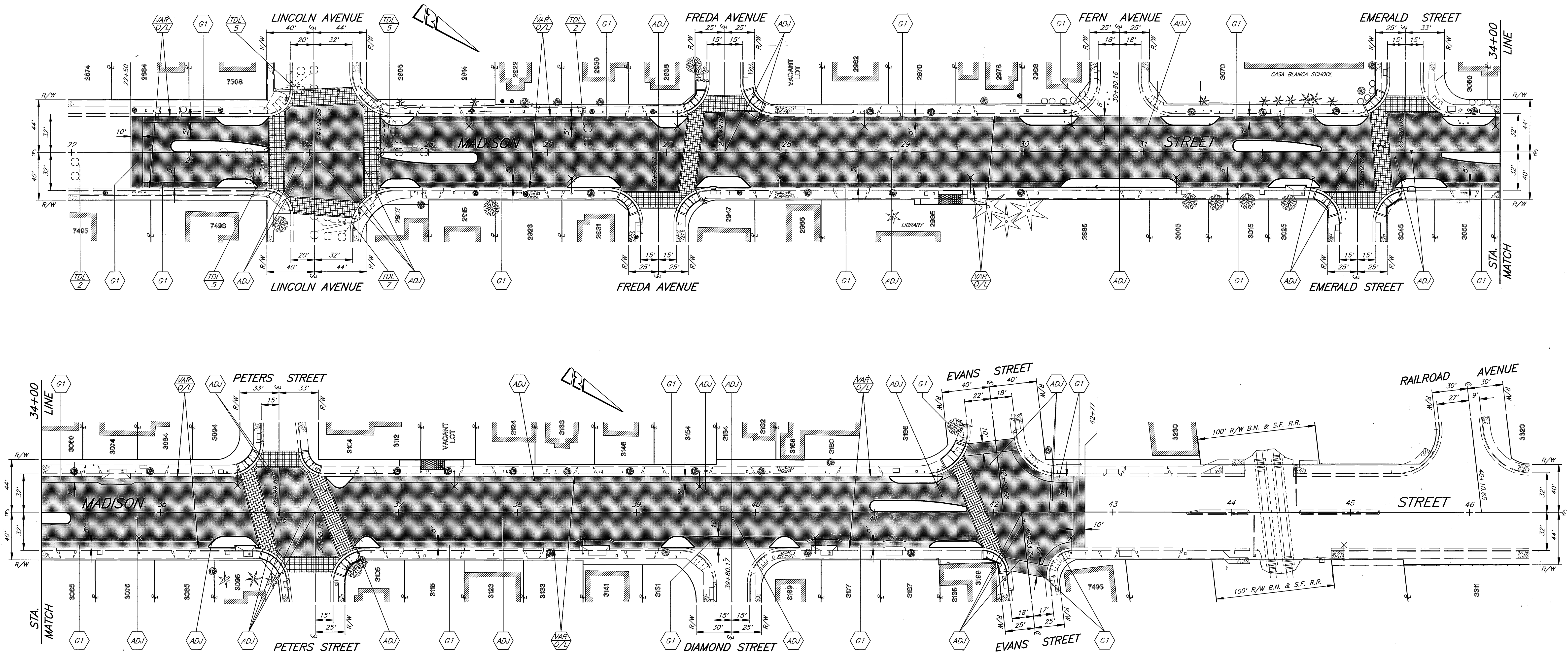
CITY OF RIVERSIDE, CALIFORNIA PUBLIC WORKS DEPARTMENT			
APPROVED BY	BY	DATE	APPROVED BY
PRINCIPAL ENGINEER	<i>R.M. Grant</i>	12/16/98	PUBLIC WORKS DIRECTOR
STREET SERVICES			
SUPERVISOR			
TRAFFIC DIVISION			
PARKS DEPARTMENT			
DESIGNED BY R.G. FANN	DRAWN BY R.G. FANN	CHECKED BY	DATE C-26-98

MADISON STREET STREETSCAPE IMPROVEMENTS LINCOLN AVE. TO EVANS ST. BUS SHELTER PLAN	
---	--

ACCT. NO. 472-528120-440446-90162
R-3454
SHEET 5 OF 8

INDEXED 12-16-99 4/1

PC-4040-M



TYPICAL SECTION MADISON STREET
SCALE: HORIZ. 1"=10'
VERT. 1"=2'

CONSTRUCTION NOTES

- ADJ ADJUST SEWER, STORM DRAIN, ELECTRIC OR WATER MANHOLE OR GATE VALVE TO GRADE. ADJUSTMENT TO GRADE OR RELOCATION OF GAS & TELEPHONE COMPANY'S FACILITIES WILL BE DONE BY OTHERS.
- G1 GRIND EXIST. AC. 0.08" BELOW GUTTER LIP OR OUTER EDGE, "DAY-LIGHTING" IN 5' (TYPE 1 GRINDING) EXCEPT AS SHOWN OTHERWISE ON PLAN AND DESCRIBED IN SPECIAL PROVISIONS.
- TDL TRAFFIC DETECTOR LOOP INSTALLATIONS.
5 NUMBER OF DETECTOR LOOPS.
- VAR CONSTRUCT VARIABLE THICKNESS D.G.A.C. OVERLAY. (0.1" MINIMUM THICKNESS)

ENGINEER IN RESPONSIBLE CHARGE
Richard D. McGrath
RICHARD D. McGRATH
R.C.E. No. 31952 expires 12/31/00
DATE 6-26-98



MARK	REVISIONS	APPR.	DATE

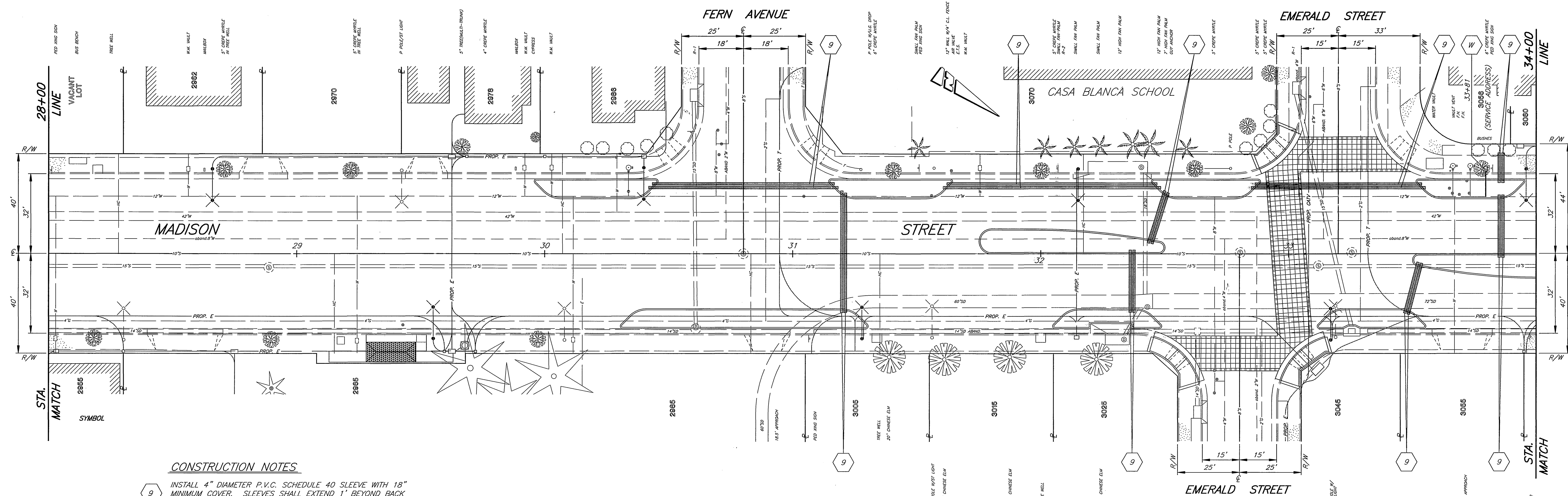
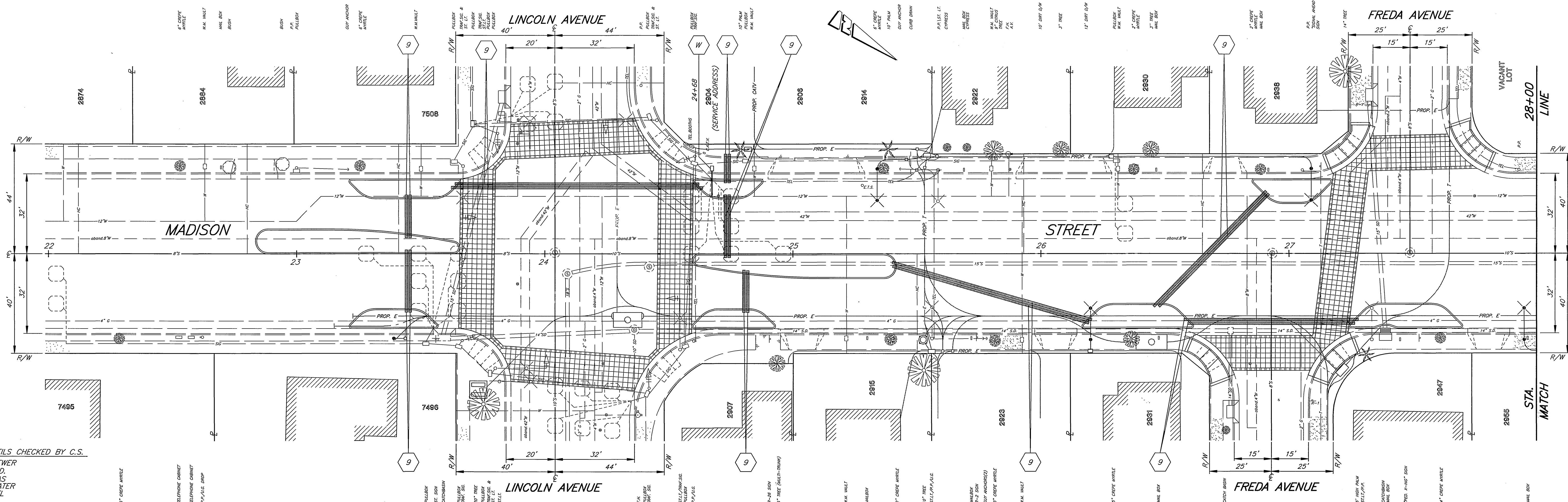
CITY OF RIVERSIDE, CALIFORNIA
PUBLIC WORKS DEPARTMENT

APPROVED BY	BY	DATE	APPROVED BY	DATE
PRINCIPAL ENGINEER	<i>R. McGrath</i>	6/26/98	PUBLIC WORKS DIRECTOR	6/26/98
SURVEYOR				
TRAFFIC DIVISION				
PARKS DEPARTMENT				

DESIGNED BY R.G. FANN, DRAWN BY R.G. FANN, CHECKED BY

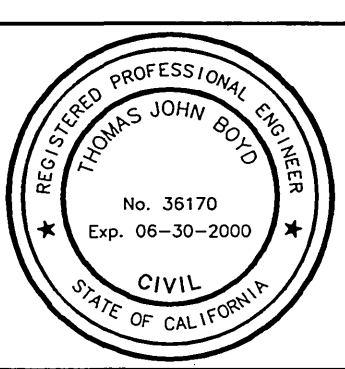
MADISON STREET
STREETScape IMPROVEMENTS
LINCOLN AVE. TO EVANS ST.
GRINDING AND OVERLAY PLAN

ACCT. NO. 472-528120-440446-90162
R-3454
SHEET 6 OF 8
HORIZ. SCALE: 1" = 40'



- CONSTRUCTION NOTES**
- 9 INSTALL 4" DIAMETER P.V.C. SCHEDULE 40 SLEEVE WITH 18" MINIMUM COVER. SLEEVES SHALL EXTEND 1" BEYOND BACK OF CURB INTO PLANTER AREA. BOTH ENDS OF SLEEVES SHALL BE CAPPED AND A #3 STEEL BAR PLACED VERTICALLY TO EXTEND FLUSH WITH TOP OF CURB.
 - W 3/4" WATER METER TO BE INSTALLED BY PUBLIC UTILITIES DEPARTMENT, WATER DIVISION.

ENGINEER IN RESPONSIBLE CHARGE
Thomas Boyd
 THOMAS JOHN BOYD
 R.C.E. No. 36170 expires 6/30/2000
 DATE 12/9/98



MARK	REVISIONS	APPR.	DATE

CITY OF RIVERSIDE, CALIFORNIA
 PUBLIC WORKS DEPARTMENT

APPROVED BY	BY	DATE	APPROVED BY
ENGINEERING MANAGER	R.M. Drath	12/9/98	PUBLIC WORKS DIRECTOR
PRINCIPAL ENGINEER			
STREET SERVICES			
SUPERVISOR			
TRAFFIC DIVISION			
PARKS DEPARTMENT			

DESIGNED BY: R.G. FANNL DRAWN BY: R.G. FANNL CHECKED BY:

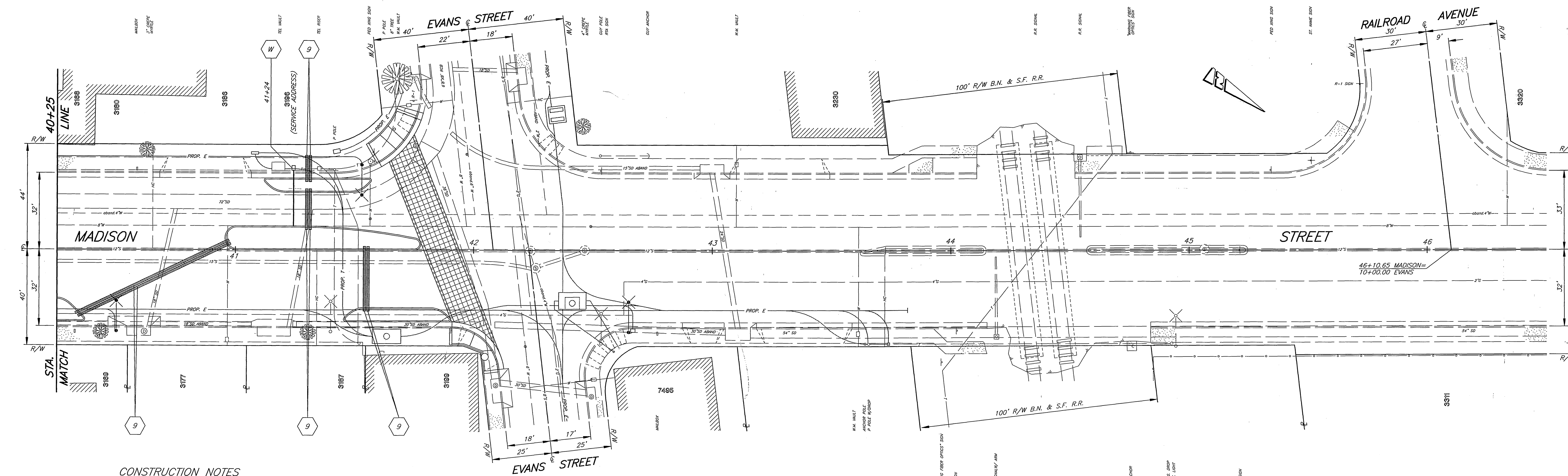
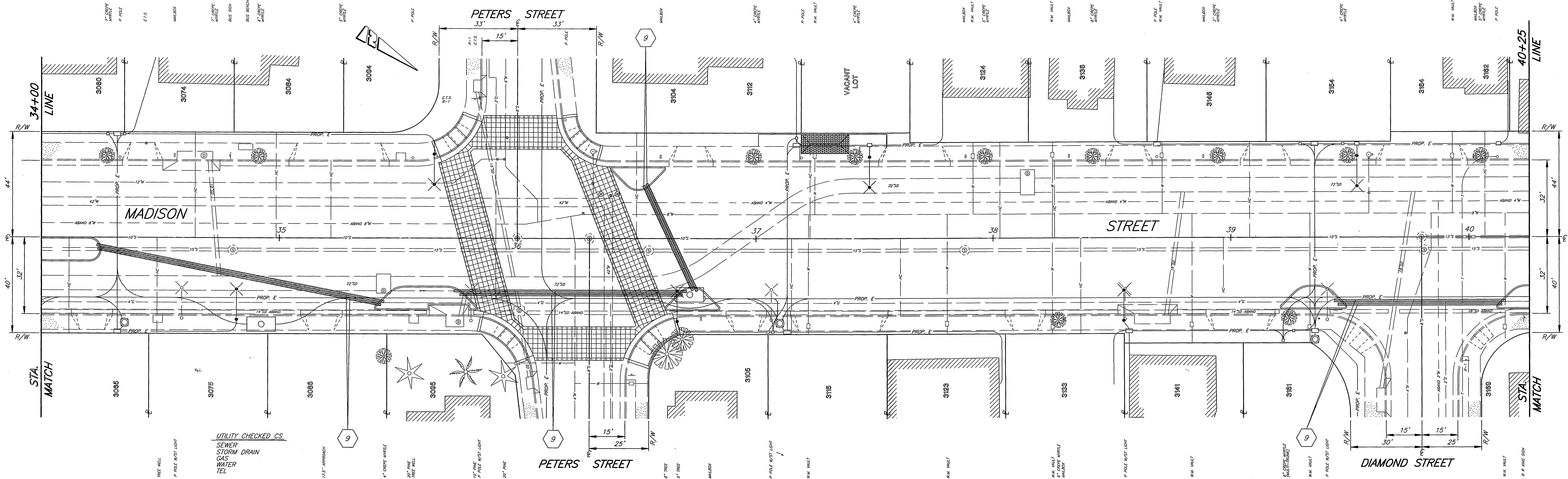
MADISON STREET
STREETSCAPE IMPROVEMENTS
 LINCOLN AVE. TO EVANS ST.
 IRRIGATION SLEEVING PLANS

ACCT. NO. 472-528120-440446-90162
R-3454
 SHEET 7 OF 8

HORIZ. SCALE: 1" = 20'

INDEXED 12-16-99 gfh

PC-4040-M



- CONSTRUCTION NOTES**
- 9 INSTALL 4" DIAMETER P.V.C. SCHEDULE 40 SLEEVE WITH 18" MINIMUM COVER. SLEEVES SHALL EXTEND 1" BEYOND BACK OF CURB INTO PLANTER AREA. BOTH ENDS OF SLEEVES SHALL BE CAPPED AND A #3 STEEL BAR PLACED VERTICALLY TO EXTEND FLUSH WITH TOP OF CURB.
 - W 3/4" WATER METER TO BE INSTALLED BY PUBLIC UTILITIES DEPARTMENT, WATER DIVISION.

UTILITY CHECKED CS.
SEWER
STORM DRAIN
GAS
WATER
TEL

ENGINEER IN RESPONSIBLE CHARGE

Thomas Boyd
 THOMAS JOHN BOYD
 R.C.E. No. 36170 expires 6/30/2000
 DATE 12/9/98

MARK	REVISIONS	APPR.	DATE

CITY OF RIVERSIDE, CALIFORNIA
PUBLIC WORKS DEPARTMENT

APPROVED BY	BY	DATE	APPROVED BY
ENGINEERING MANAGER	R.G. FANN	12/9/98	R. Mc. Drath
PRINCIPAL ENGINEER			PUBLIC WORKS DIRECTOR
STREET SERVICES			
SURVEYOR			
TRAFFIC DIVISION			
PARKS DEPARTMENT			

DESIGNED BY R.G. FANN, DRAWN BY R.G. FANN, CHECKED BY

MADISON STREET
STREETSCAPE IMPROVEMENTS
LINCOLN AVE. TO EVANS ST.
IRRIGATION SLEEPING PLANS

ACCT. NO. 472-528120-440446-90162
R-3454
 SHEET 8 OF 8

HORIZ. SCALE: 1" = 20'

INDEXED 12-16-99 JFH