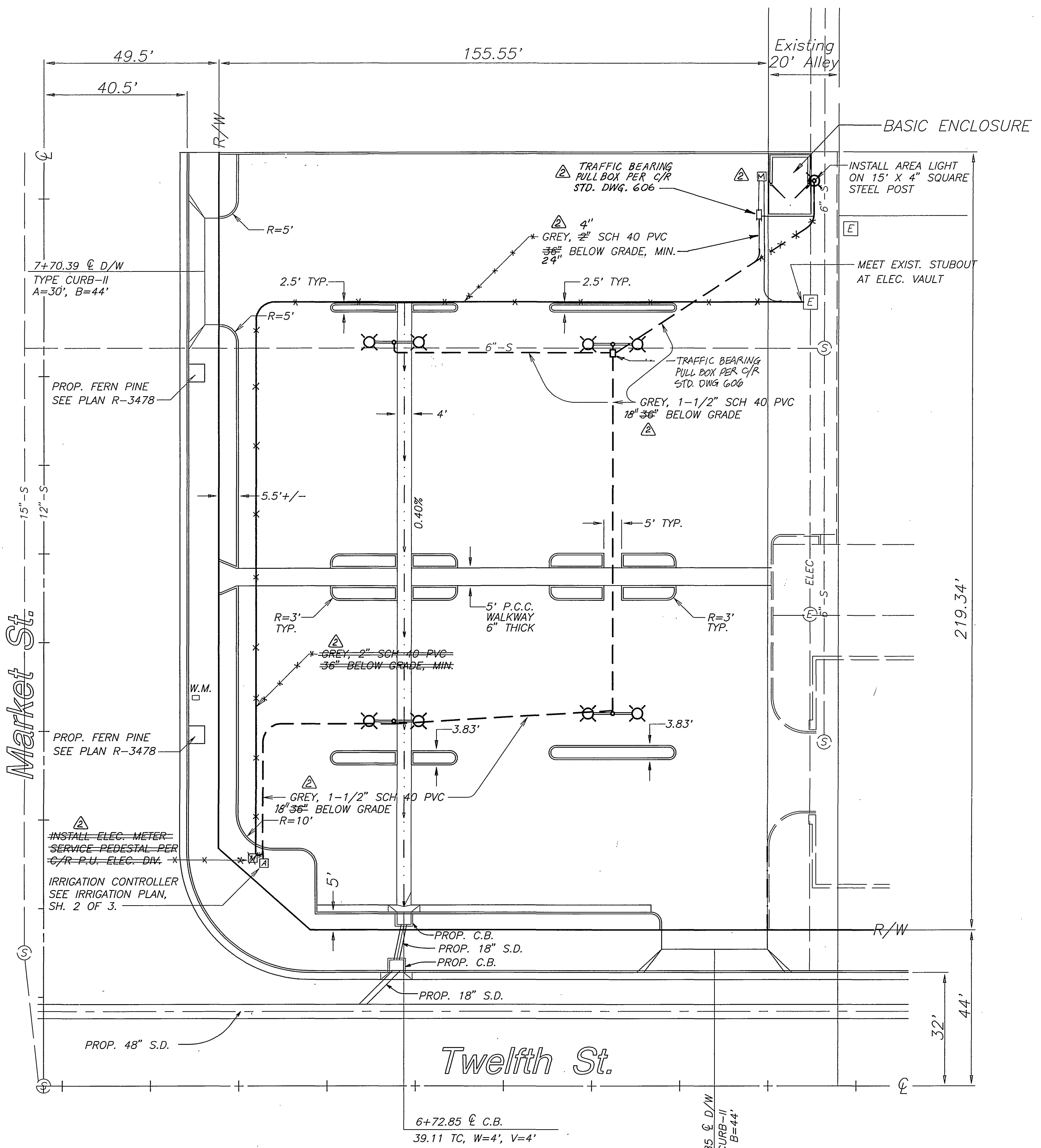


LIMITS OF WORK

- * PEDESTRIAN PATH SHALL BE CLEAR OF ALL OBSTRUCTIONS
- ** ACCESSIBLE PARKING STALLS SHALL BE STRIPED AND SIGNED PER THE LATEST EDITION OF THE CITY OF RIVERSIDE BUILDING AND SAFETY DIVISION HANDICAPPED ACCESSIBILITY STANDARDS



parking lot

parking lot lighting/
electric plan

GENERAL CONSTRUCTION NOTES:

- 1 EXISTING UTILITIES SHOWN ON THE PLAN ARE PLOTTED FROM UTILITY RECORDS. THE CONTRACTOR IS REQUIRED TO TAKE DUE PRECAUTIONARY MEASURES TO LOCATE AND PROTECT ALL UTILITIES WHETHER OR NOT SHOWN ON THIS PLAN.
- 2 ALL ELEVATIONS SHOWN ON THE PLANS SHALL BE STAKED IN THE FIELD.
- 3 CONSTRUCTION SHALL BE IN ACCORDANCE WITH THE CITY OF RIVERSIDE STANDARD DRAWINGS AND STANDARD SPECIFICATIONS FOR PUBLIC WORKS CONSTRUCTION, 1997 EDITION.

CONSTRUCTION LEGEND:

- 1 CONSTRUCT 4" FULL DEPTH ASPHALT CONCRETE OVER COMPACTED NATIVE SOIL.
- 2 INSTALL 8" X 30" X 5 1/2" P.C.C. WHEEL STOPS, BY BROOKS PRODUCTS, INC., OR CITY APPROVED EQUAL.

PARKING LOT LIGHTING CONSTRUCTION NOTES

1. LIGHT STANDARD FOUNDATION TO BE PER STD. DWG. 635
2. LIGHT STANDARDS TO BE 25" HIGH X 6" SQUARE STEEL POLE
3. PARKING LOT LIGHT CONSTRUCTION SHALL MEET THE LATEST APPLICABLE ELECTRIC CODES AND THE STANDARDS OF THE CITY OF RIVERSIDE, PUBLIC UTILITIES DEPT., ELECTRIC DIV.
4. AREA LIGHT STANDARD FOUNDATION TO BE 18" X 30" DEEP, ANCHOR BOLTS PER MANUFACTURER'S SPECIFICATIONS
5. PARKING LOT LIGHTING SHALL BE A 120 VOLT SYSTEM.
6. PARKING LOT LIGHTING SHALL PROVIDE A MINIMUM OF 2.3 FOOTCANDLES AT GRADE. CONTRACTOR SHALL SUBMIT LIGHTING CALCULATIONS AND MANUFACTURER'S SPECIFICATIONS FOR ALL ELECTRICAL EQUIPMENT A MINIMUM OF TWO WEEKS PRIOR TO INSTALLATION.

ENGINEER IN RESPONSIBLE CHARGE
Michael Katusian
 MICHAEL KATUSIAN
 R.C.E. No. 36886 expires 6/30/00
 DATE 12/9/97

Revised electrical service & conduits size per P.U.E. requirements per US-604529	APPROVED BY: <i>[Signature]</i>	DATE: 12/11/97
Revised parking space dimensions to meet A.D.A. requirements	APPROVED BY: <i>[Signature]</i>	DATE: 12/3/97

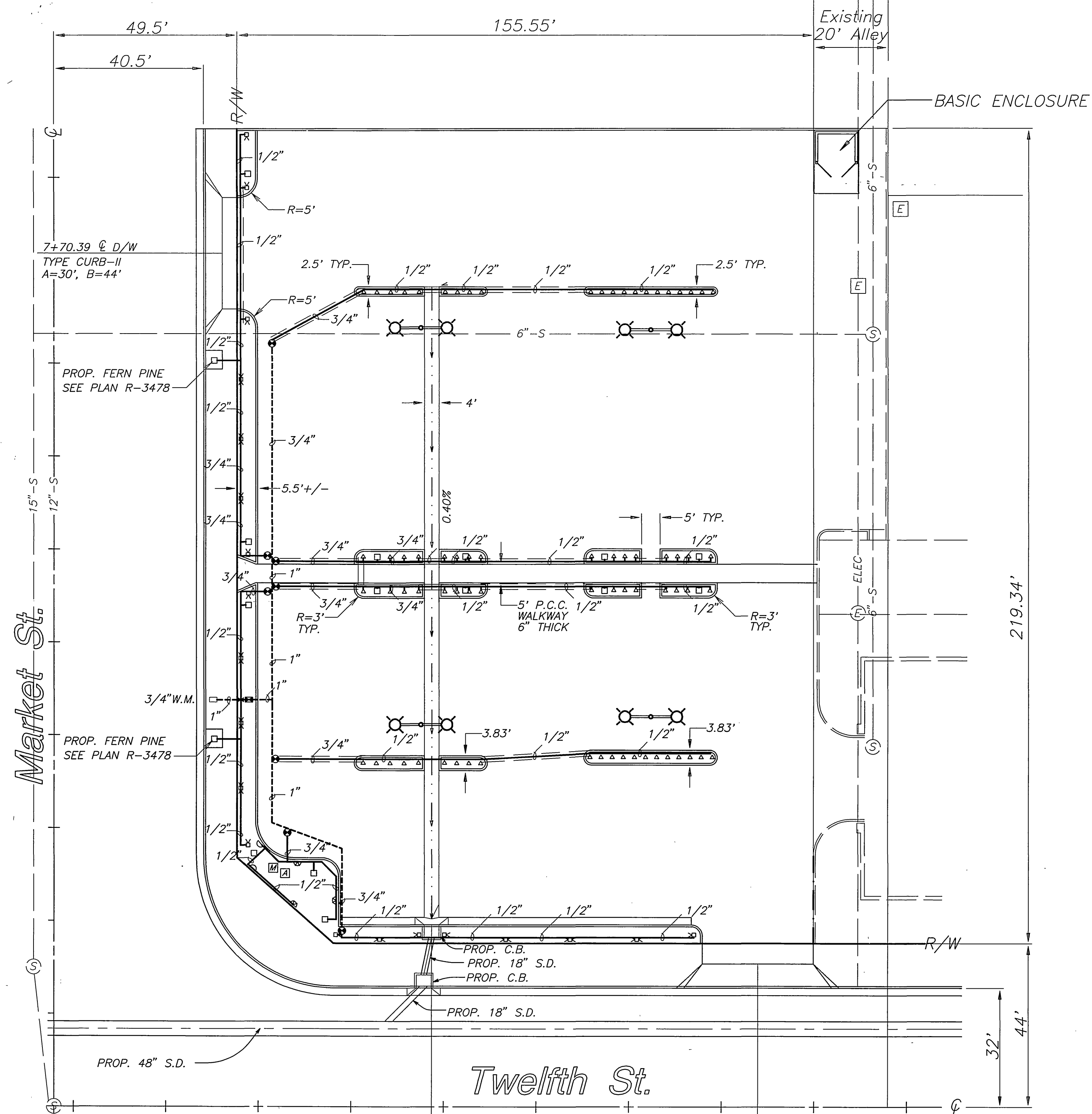
CITY OF RIVERSIDE, CALIFORNIA
 PUBLIC WORKS DEPARTMENT

APPROVED BY: *[Signature]*
 DEPUTY P.W. DIRECTOR
 APPROVED BY: *[Signature]*
 PUBLIC WORKS DIRECTOR
 DATE: 12-12-97

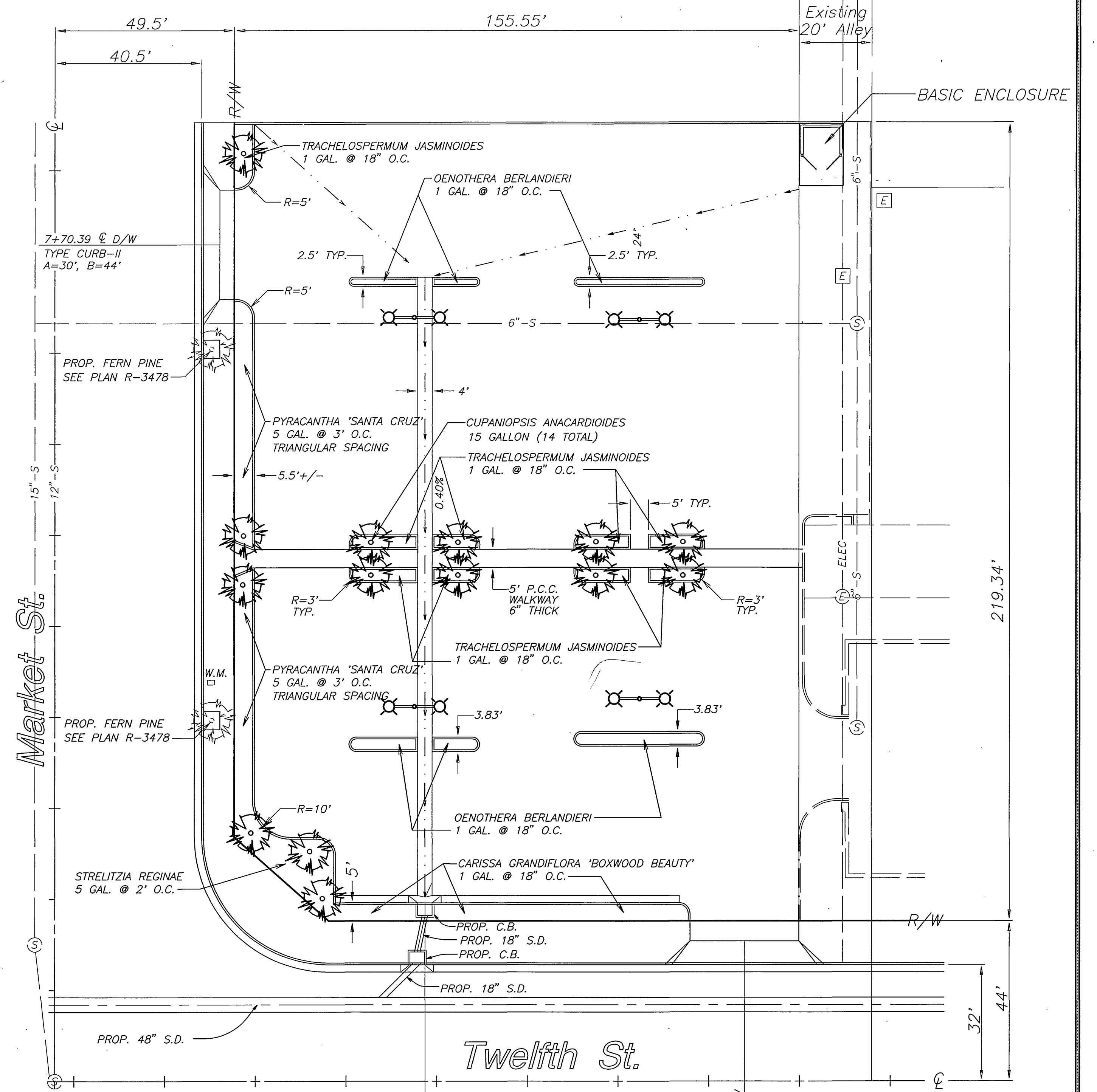
MUNICIPAL
 PARKING LOT
 TWELFTH ST. &
 MARKET ST.

HORIZ. SCALE: 1" = 20'

ACCT. NO. 478-528180-440446-90214
R-3466
 SHEET 1 OF 3
 FILE NO.



irrigation plan



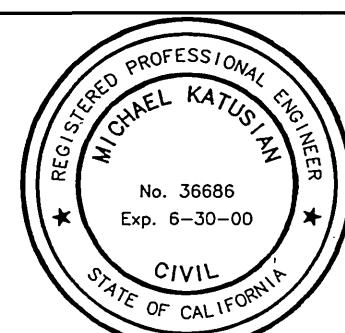
planting plan

IRRIGATION LEGEND						
SYMBOL	DESCRIPTION	*-DETAIL	REMARKS	SYMBOL	DESCRIPTION	REMARKS
	GRISWOLD 2000 REMOTE CONTROL VALVE - SIZE PER PLAN	4	SIZE PER PLAN		RAINBIRD 1402 BUBBLER	0.50 GPM FLOOD BUBBLER, 2 PER TREE
					RAINBIRD 1401 BUBBLER	0.25 GPM
					RAINBIRD 1812-MPR-10H-LA SPRAY SPRINKLER	10'R 0.79 GPM PART CIRCLE, ADJUSTED TO 180°
					RAINBIRD 1812-MPR-8H-FLI SPRAY SPRINKLER	8'9\"/>

* SEE SHEET 3 OF 3 FOR DETAILS

NOTE: ALL WIRE RUNS UNDER PAVING SHALL BE SLEEVED IN 2" SCH 40 PVC, 24" BELOW GRADE.

ENGINEER IN RESPONSIBLE CHARGE
Michael Katusian
 MICHAEL KATUSIAN
 R.C.E. No. 36686 expires 6/30/00
 DATE 12/9/97



MARK	REVISIONS	APPR.	DATE

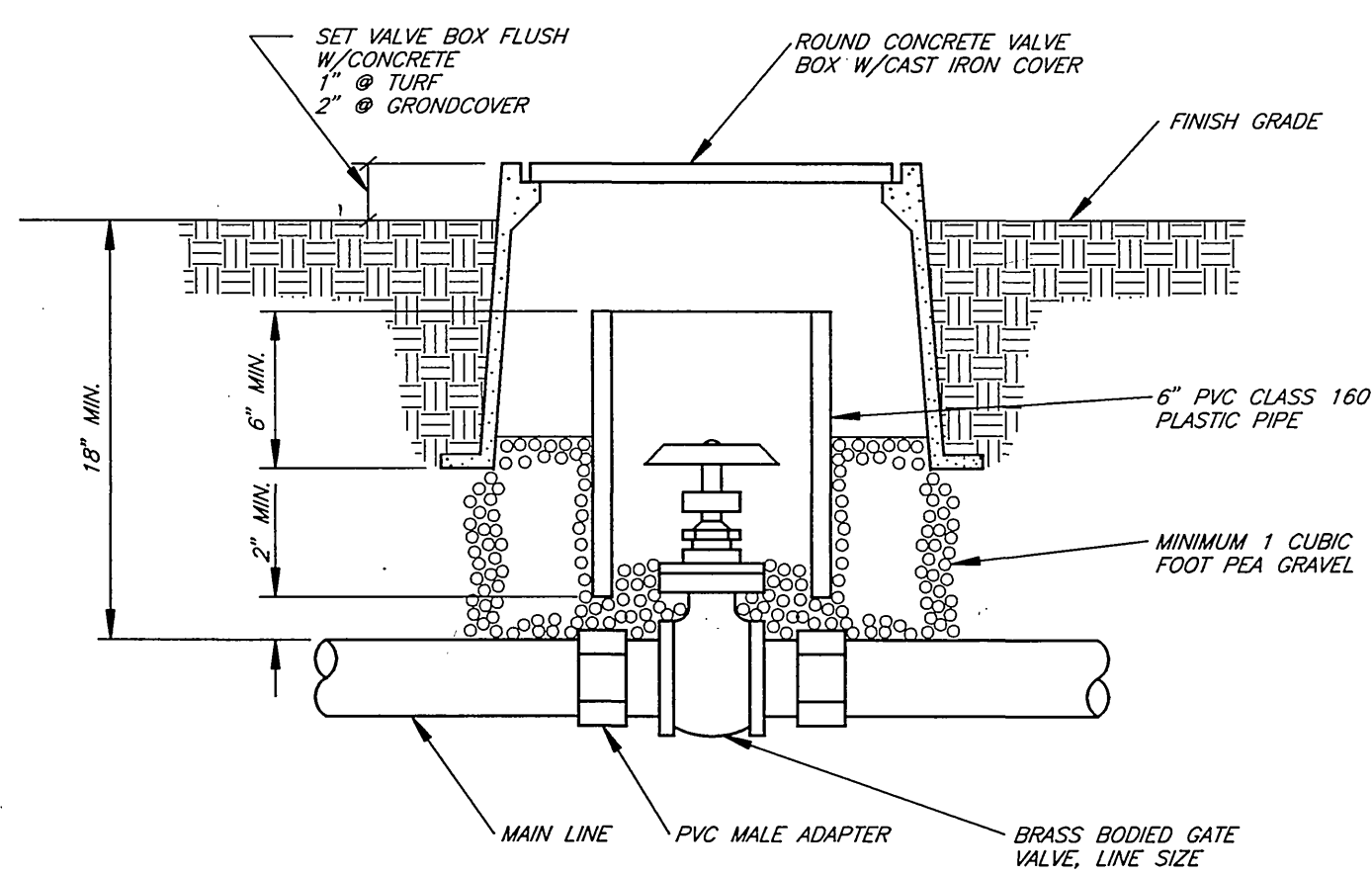
CITY OF RIVERSIDE, CALIFORNIA
 PUBLIC WORKS DEPARTMENT

APPROVED BY: **R. M. Smith**
 DEPUTY P.W. DIRECTOR
 DATE: 12-12-97

MUNICIPAL PARKING LOT
 TWELFTH ST. & MARKET ST.

ACCT. NO. 478-528180-440446-90214
R-3466
 SHEET 2 OF 3
 FILE NO.

INDEXED 2/19/98 LHT

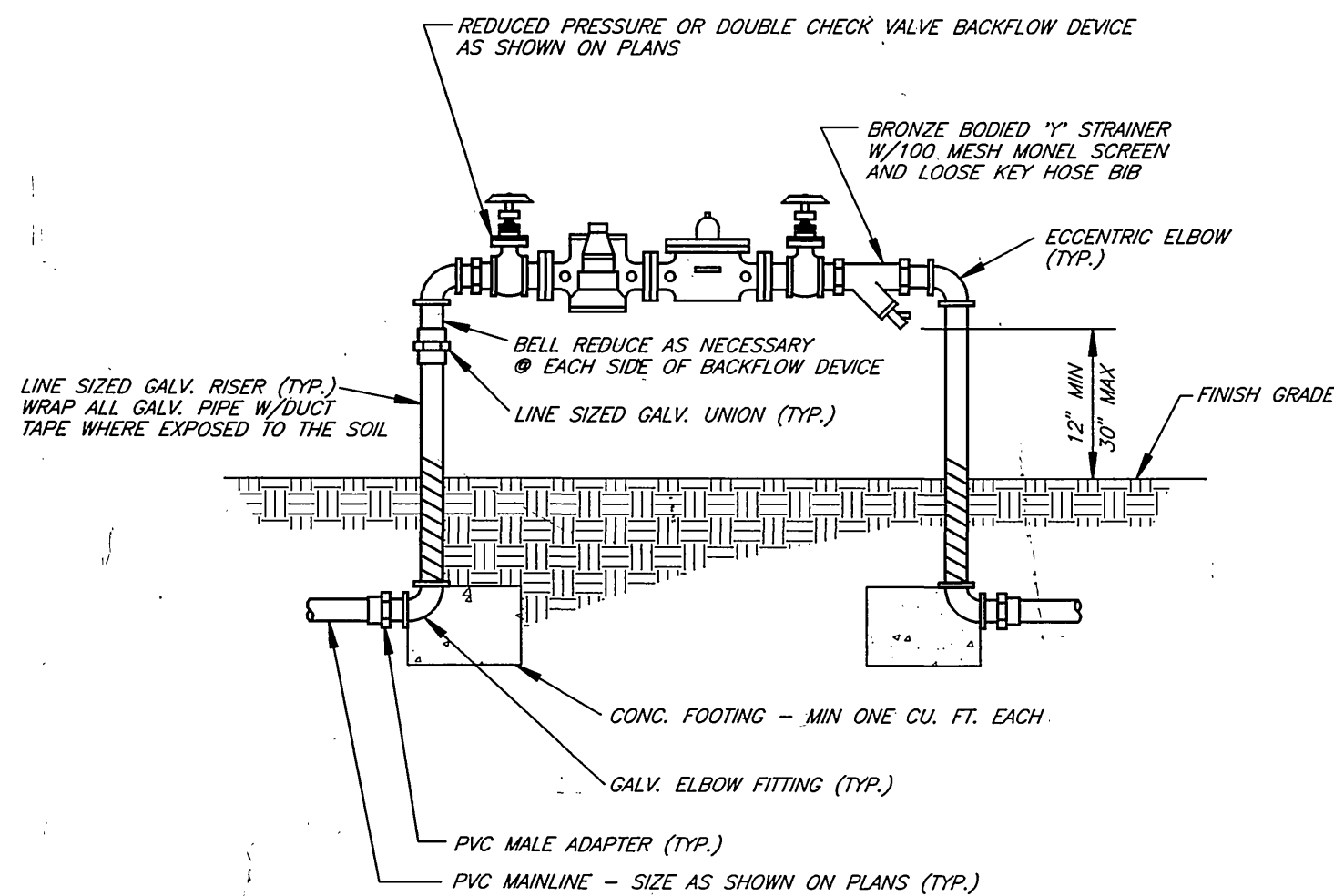


1 TYPICAL GATE VALVE ASSEMBLY

NO SCALE

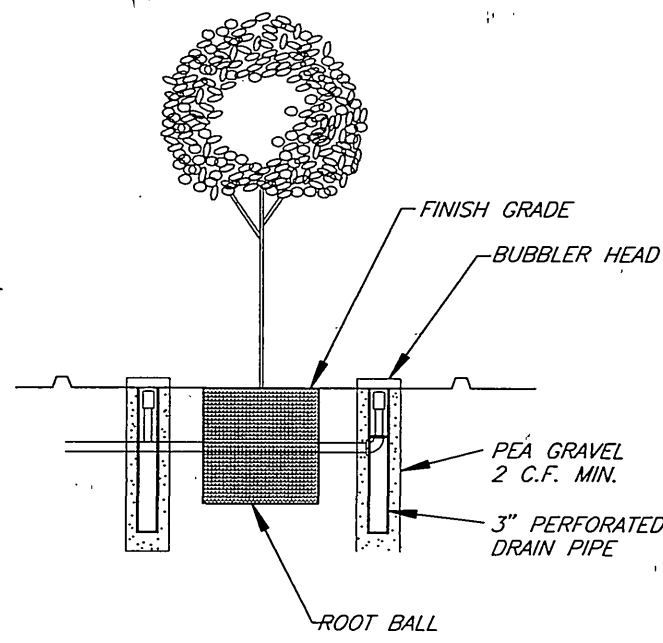
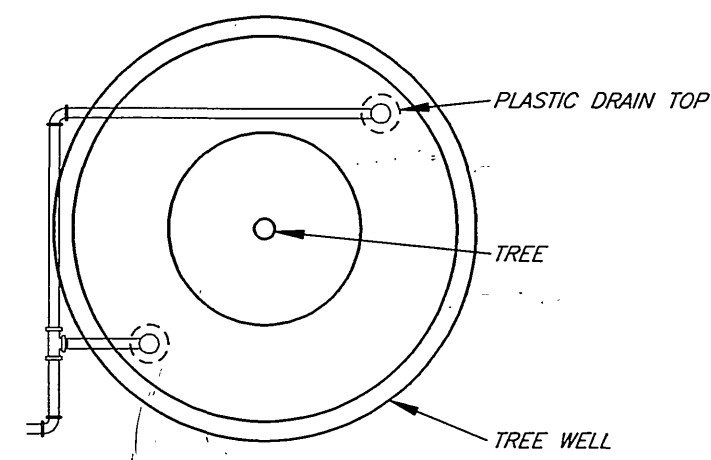
NOTES

- 1) INSTALL BACKFLOW DEVICE SQUARE WITH HARDSCAPE ELEMENT AS APPROVED BY THE ENGINEER IN THE FIELD
- 2) MODIFY HANDWHEELS AS DIRECTED OR REMOVE & TURN OVER TO ENGINEER AT FINAL INSPECTION



2 TYPICAL BACKFLOW DEVICE

NO SCALE

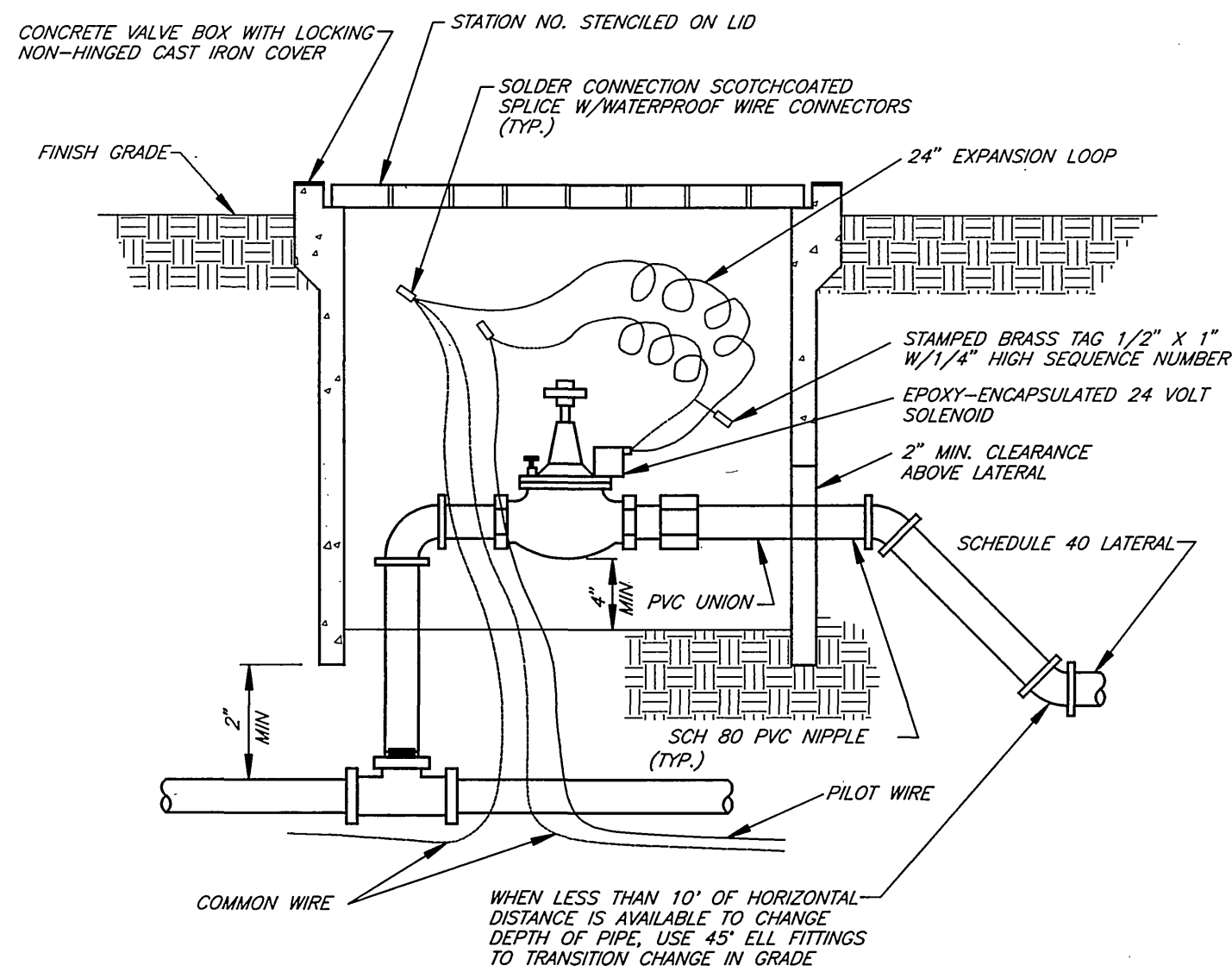


3 TYPICAL TREE WELL IRRIGATION ASSEMBLY

NO SCALE

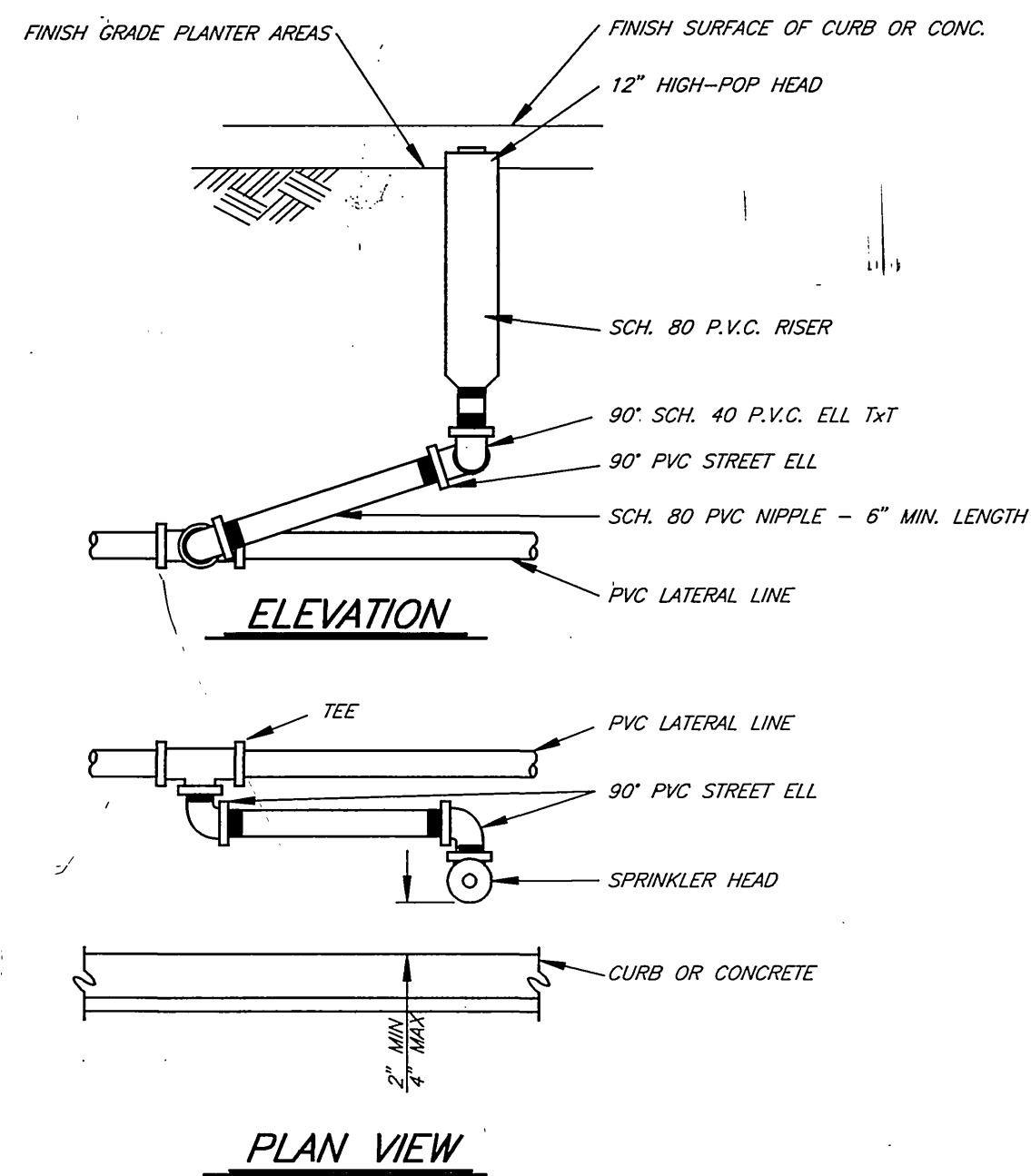
NOTES

- 1) EACH VALVE SHALL HAVE ITS OWN TEE OR ELL CONNECTION TO THE MAINLINE. NO MANFOLD CONNECTIONS
- 2) PROVIDE MINIMUM 3' CLEAR DISTANCE BETWEEN VALVES
- 3) INSTALL VALVE BOX IN A MANNER THAT BOX DOES NOT REST ON ANY IRRIGATION LINE



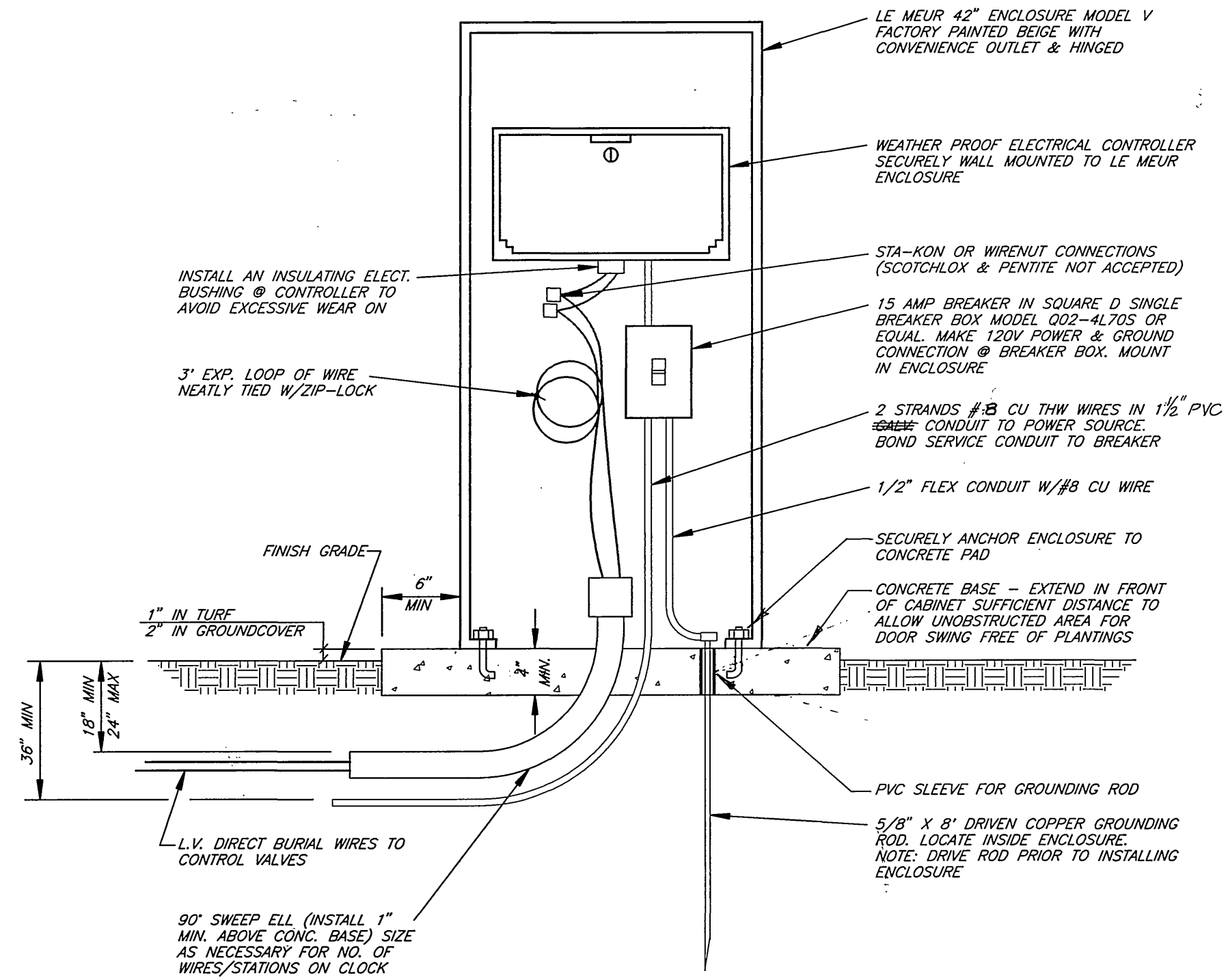
4 TYPICAL AUTOMATIC VALVE

NO SCALE



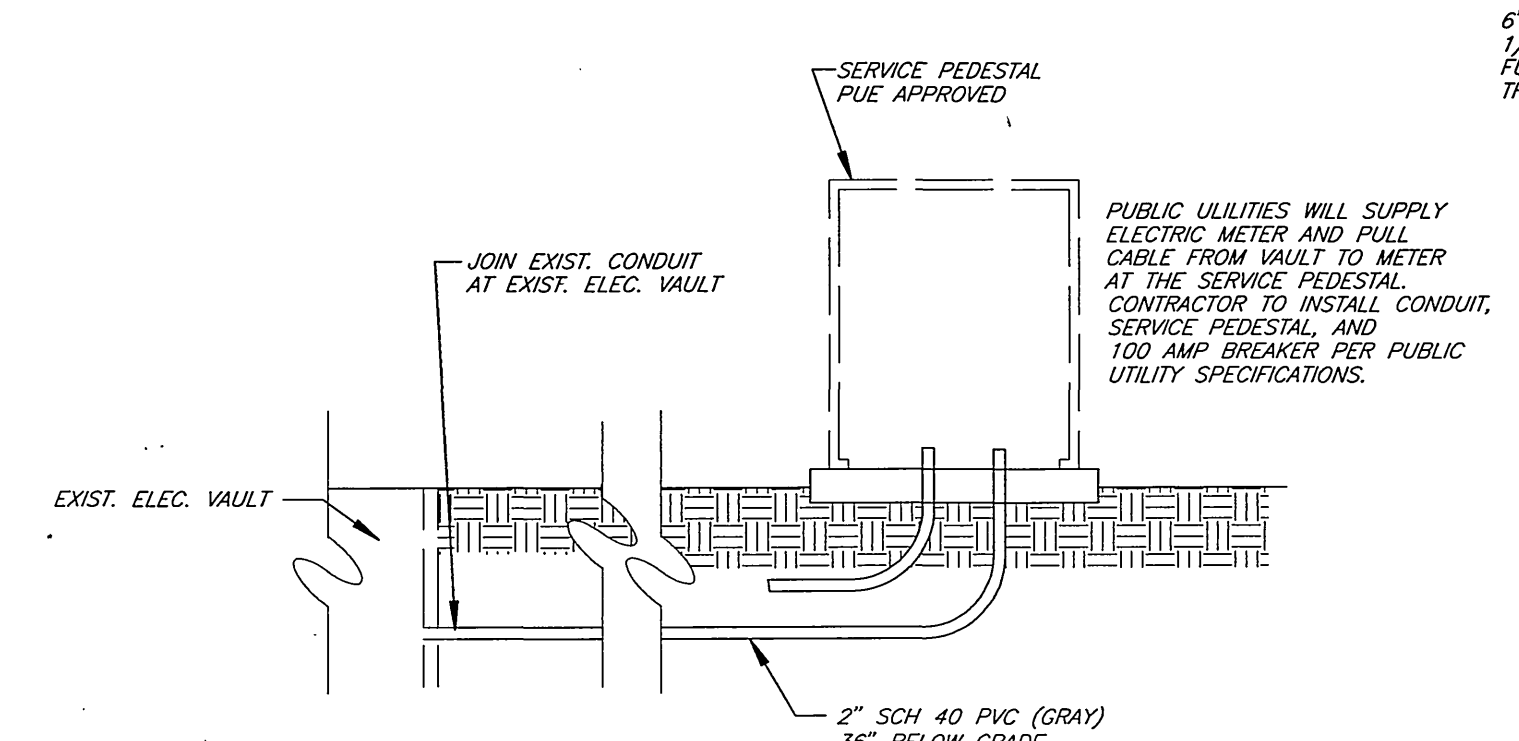
5 TYPICAL SPRAY HEAD ASSEMBLY

NO SCALE



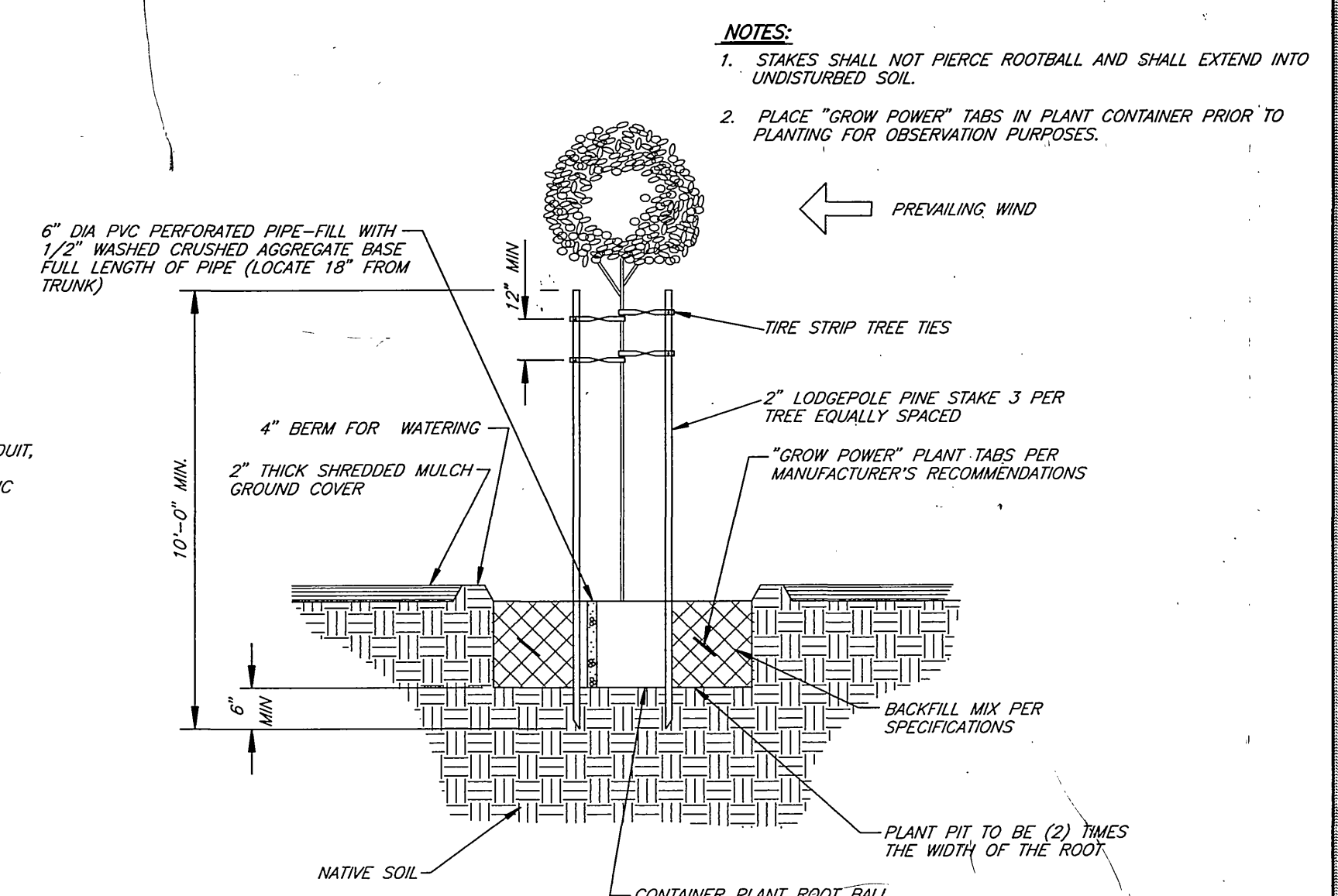
6 TYPICAL CONTROLLER

NO SCALE



7 TYPICAL ELECTRIC CONNECTION

NO SCALE



8 TREE PLANTING/STAKING DETAIL

NO SCALE

ENGINEER IN RESPONSIBLE CHARGE
Michael Katousian
 MICHAEL KATOUSIAN
 R.C.E. No. 36986 expires 6/30/2000
 DATE 12/9/97



MARK	REVISIONS	APPR.	DATE
DESIGNED BY SK	DRAWN BY SK	CHECKED BY	

CITY OF RIVERSIDE, CALIFORNIA
 PUBLIC WORKS DEPARTMENT

APPROVED BY	BY	DATE
DEPUTY P.W. DIRECTOR		
PRINCIPAL ENGINEER		
STREET SERVICES		
PUBLIC UTILITIES		

IRRIGATION AND PLANTING DETAILS
 MUNICIPAL PARKING LOT
 TWELFTH ST. & MARKET ST.

ACCT. NO. 478-528180-440446-90214
R-3466
 SHEET 3 OF 3

INDEXED 2/19/98 LHH