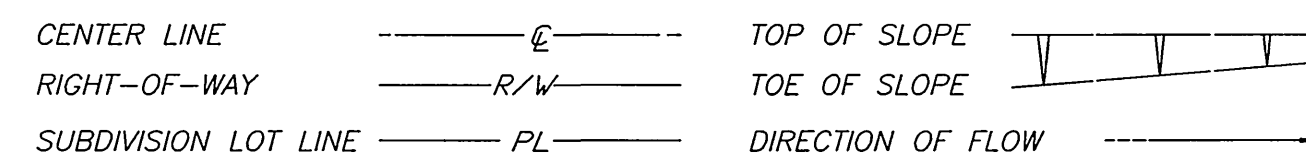


**CONSTRUCTION LEGEND**

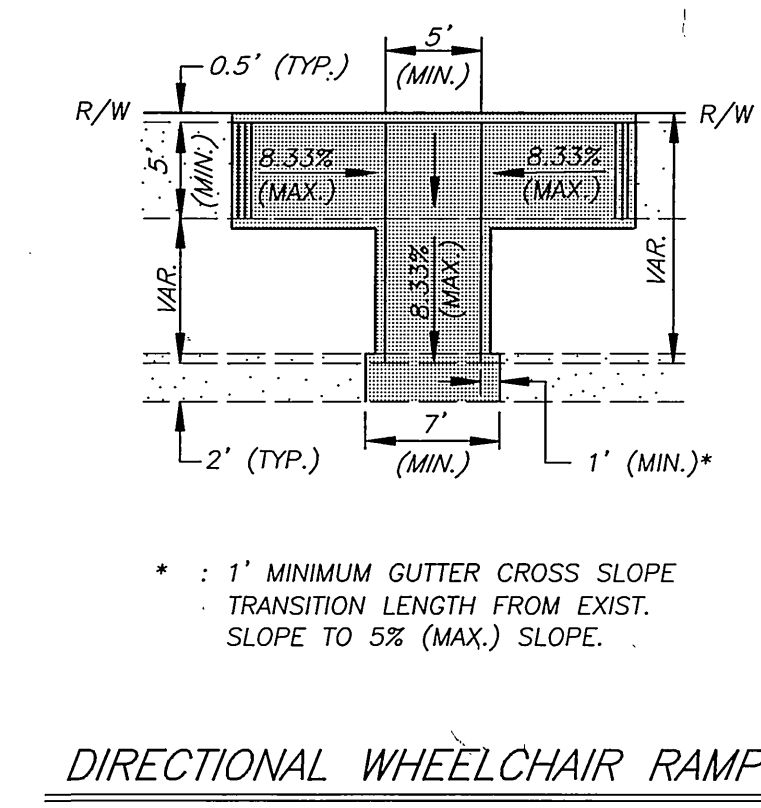
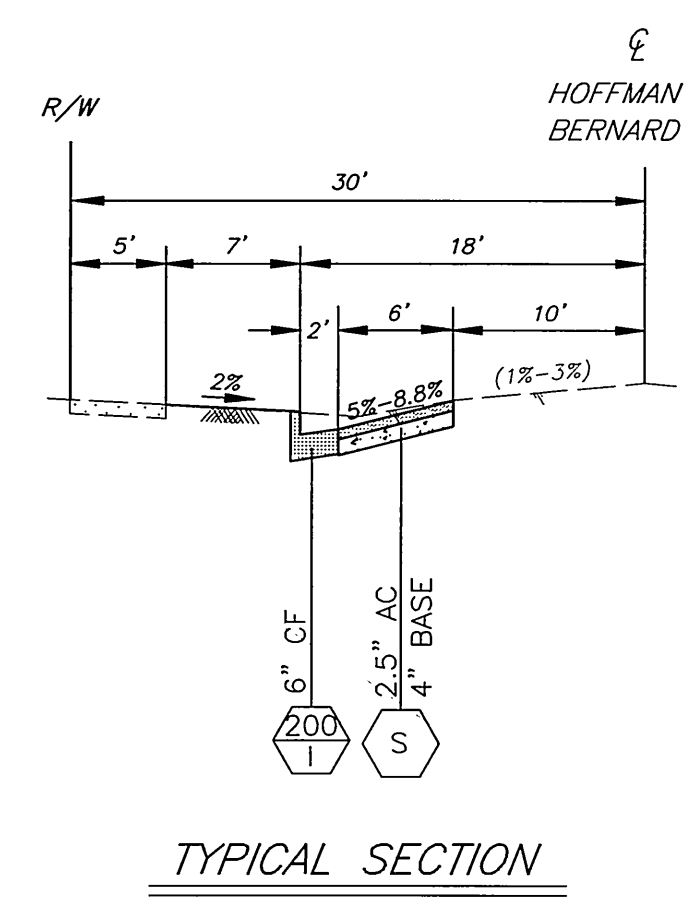
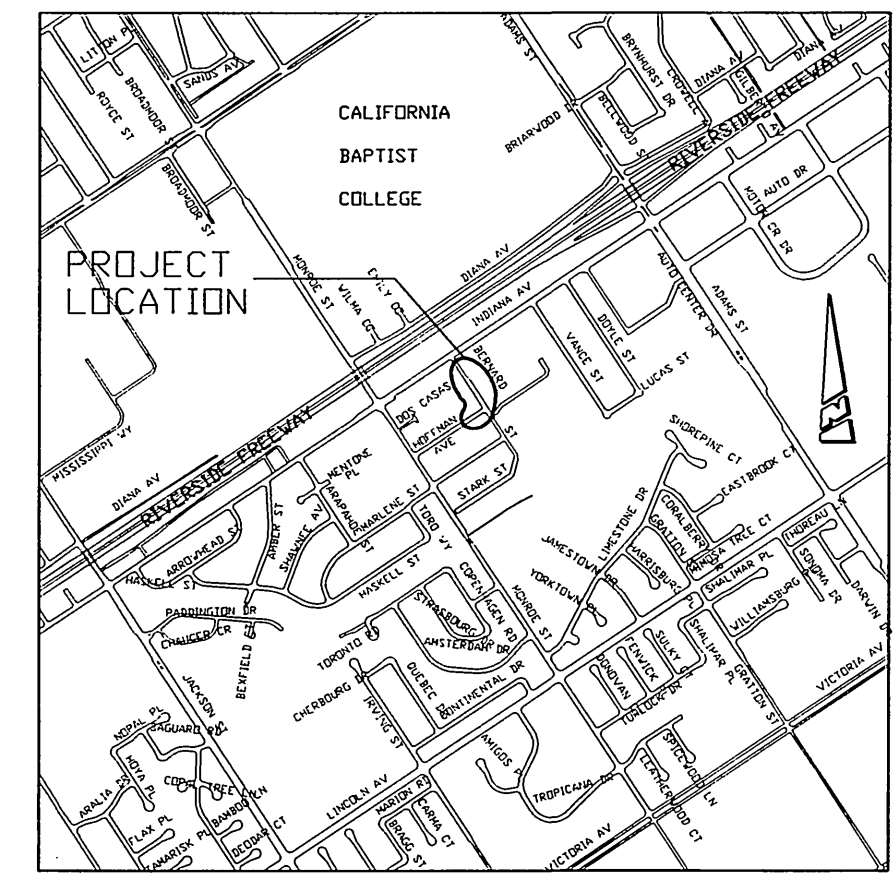
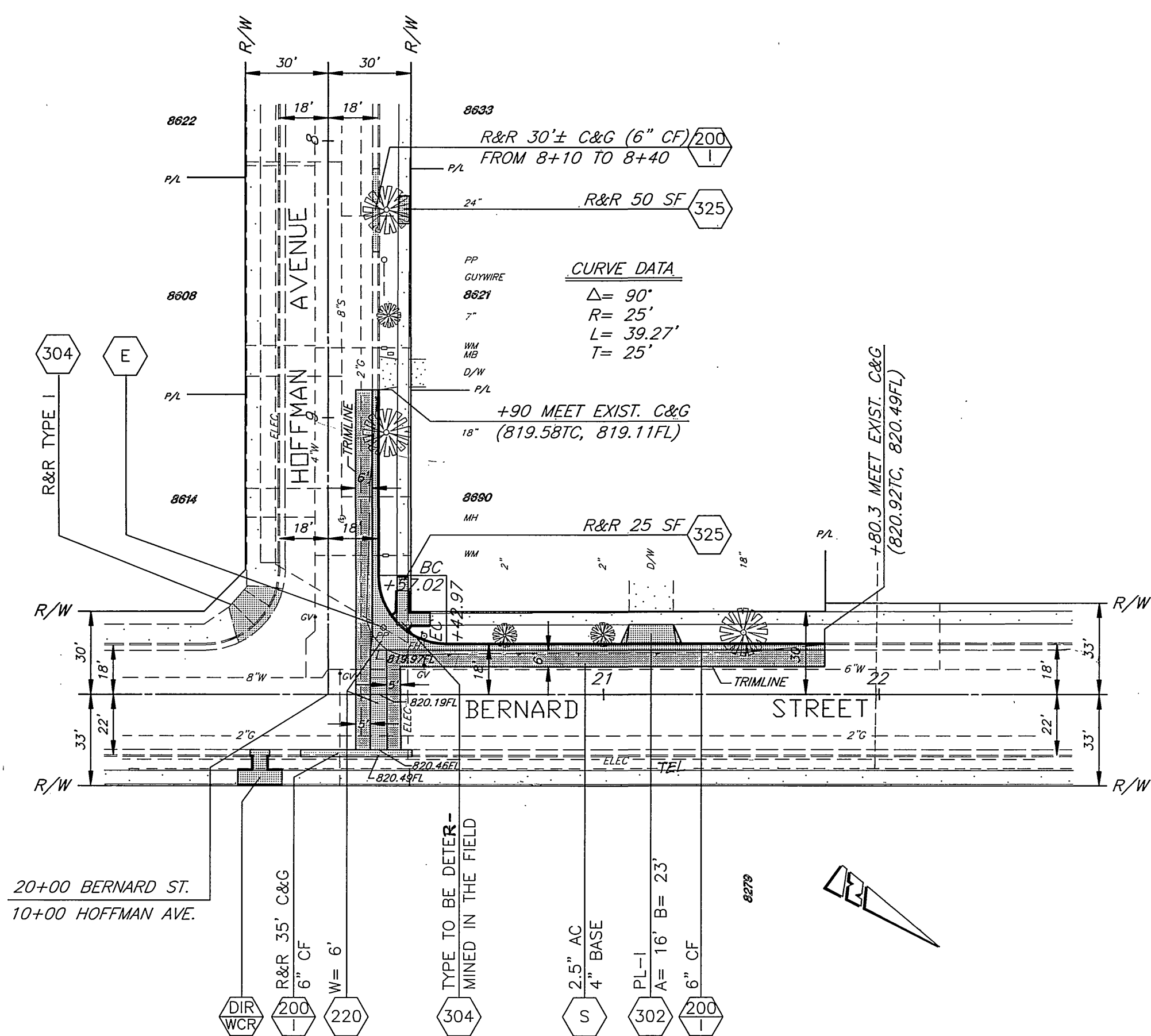


**GENERAL CONSTRUCTION NOTES**

- EXISTING UTILITIES, SHOWN ON THIS PLAN, ARE PLOTTED FROM UTILITY RECORDS. THE CONTRACTOR IS REQUIRED TO TAKE DUE PRECAUTIONARY MEASURES TO LOCATE AND PROTECT ALL UTILITIES WHETHER OR NOT SHOWN ON THIS PLAN.
- PRIME CONTRACTORS BIDDING THIS WORK SHALL HAVE A CLASS A OR C-12 LICENSE.
- ALL ELEVATIONS, SHOWN ON THE PLANS, SHALL BE STAKED IN THE FIELD.
- CONTRACTOR SHALL BE IN ACCORDANCE WITH THE CITY OF RIVERSIDE STANDARD DWGS. AND STANDARD SPECIFICATIONS FOR PUBLIC WORKS CONSTRUCTION, 2000 EDITION.

**SPECIFIC CONSTRUCTION NOTES**

- NUMBERS, ABOVE 100 IN A HEXAGON ON THE PLAN, REFER TO THE RESPECTIVE STANDARD DRAWING AND SHALL BE CONSTRUCTED ACCORDINGLY, UNLESS MODIFICATIONS ARE NOTED ON THE PLAN OR COVER SHEET. ANY NUMBER SHOWN BELOW THE STANDARD DRAWING NUMBER INDICATES THE SPECIFIC ALTERNATE TO BE CONSTRUCTED.
- POWER POLE WILL BE RELOCATED BY THE C/R UTILITY DEP., ELECTRICAL DIVISION.
- CONSTRUCT PAVEMENT: 2.5" AC OVER 4" BASE.
- DIRECTIONAL WHEELCHAIR RAMP.



**BENCHMARK**  
 ID: F4-A1  
 EL: 810.933  
 BRASS DISK STAMPED "C/L MONROE" IN WELL AT 40' NLY ALONG THE C.L. OF MONROE ST. FROM THE INTERSECTION OF MONROE ST. AND INDIANA AVE.

ENGINEER IN RESPONSIBLE CHARGE  
**Michael Katusian**  
 MICHAEL KATUSIAN  
 R.C.E. No. 36886 Expires 6/30/2004  
 DATE 11/16/01



DESIGNED BY	FYL	DRAWN BY	FYL	CHECKED BY	
APPROVED BY		BY		DATE	
DEPUTY P.W. DIRECTOR					
PRINCIPAL ENGINEER					
INSPECTOR					
SUPERVISOR					
STREET SERVICES					
TRAFFIC ENGINEER					

CITY OF RIVERSIDE, CALIFORNIA  
 PUBLIC WORKS DEPARTMENT

IMPROVEMENTS AT  
 HOFFMAN AVE AND  
 BERNARD ST.

ACCT. NO.: 9541627152-440223XX  
**R-3611**  
 SHEET 9 OF 1  
 FILE NO. [C:\FRANK\DWG\R-3611

INDEXED 9-18-02 4th