

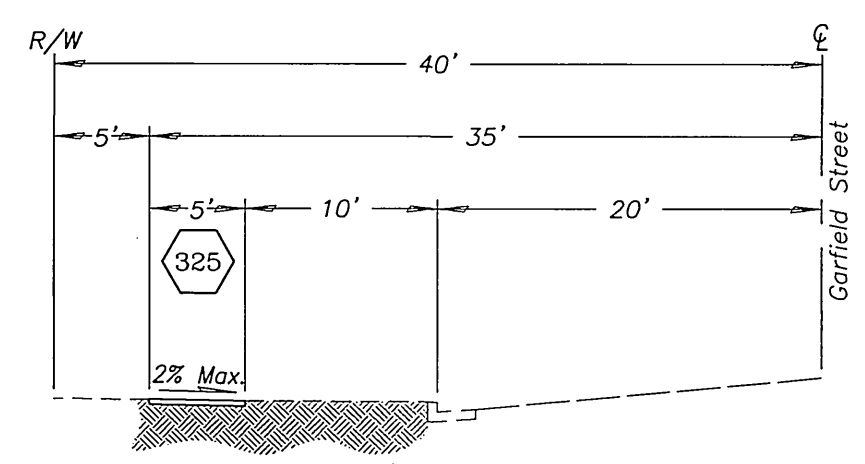
MATCHLINE STATION 15+50 SEE BELOW

CONSTRUCTION NOTES

- 304 I CONSTRUCT WHEELCHAIR RAMP PER CITY STANDARD DRAWING 304, TYPE I.
- 200 I CONSTRUCT CURB AND GUTTER PER CITY STANDARD DRAWING 200, TYPE I.
- 325 CONSTRUCT SIDEWALK PER CITY STANDARD DRAWING 325.
- 1 GUY ANCHORS AND CABLES TO BE RELOCATED BY CITY FORCES.

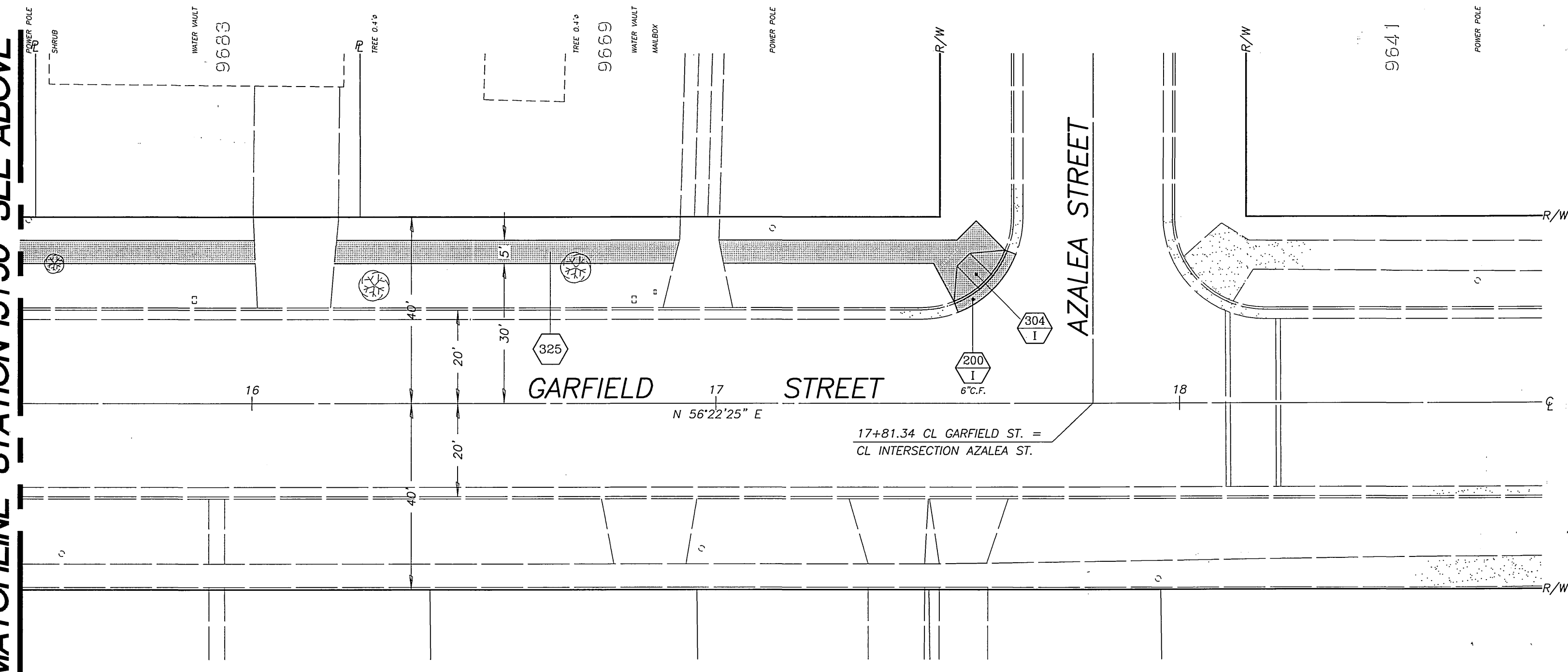
ESTIMATED QUANTITIES OF KEY ITEMS

1. P.C.C. SIDEWALK, STD. 325, - 4,757 S.F.
2. P.C.C. WHEELCHAIR RAMP, STD. 304, TYPE I, - 4 EA.
3. P.C.C. DRIVEWAY AND APPROACH, STD. 302, CURB-I, - 762 S.F.
4. P.C.C. CURB AND GUTTER, STD. 200, TYPE I, - 354 L.F.
5. NEW A.C. PAVEMENT, - 41 TON
6. CRUSHED AGGREGATE BASE, - 31 C.Y.
7. A.C. OVERLAY, - 24 TON
8. PLANT 24" BOX MAGNOLIA "GRAND FLORA" TREE - 1 EA.



TYPICAL SECTION
GARFIELD STREET
STATION 11+15 TO 17+44
1"=10'

MATCHLINE STATION 15+50 SEE ABOVE



* AS-BUILT 5-10-04 LFT

IMPORTANT NOTICE
Section 4216/4217 of the Government Code requires a Dig Alert identification Number to be issued before a "Permit to Excavate" will be valid. For your Dig Alert I.D. Number, call CALL TOLL FREE 48 HOURS BEFORE YOU DIG UNDERGROUND SERVICE ALERT 1-800-227-2600

ENGINEER IN RESPONSIBLE CHARGE
Michael Katusian
MICHAEL KATUSIAN
R.C.E. No. 36686 expires 6/30/04
DATE 5/15/03



MARK	REVISIONS	APPR.	DATE

DESIGNED BY DAN DRAWN BY DAN CHECKED BY _____

CITY OF RIVERSIDE, CALIFORNIA
PUBLIC WORKS DEPARTMENT

APPROVED BY	BY	DATE
PRINCIPAL ENGINEER	<i>[Signature]</i>	5/15/03
CONST. CONTRACT ADMIN.		
STREET SERVICES		
SURVEYOR		
TRAFFIC DIVISION		
PARKS DEPARTMENT		

CITY ENGINEER: *[Signature]*
DATE 5/15/03

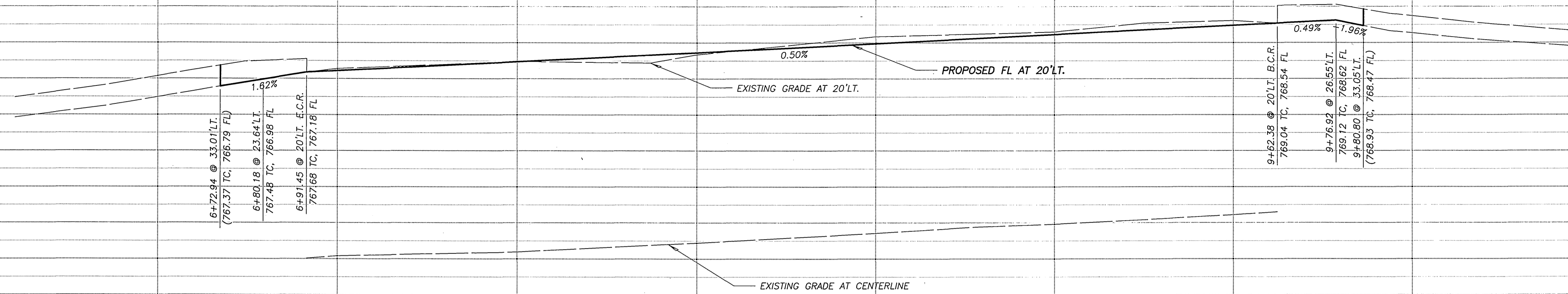
GARFIELD ST. SIDEWALK
N'LY SIDE
Harrison Street to Azalea Street
HORIZONTAL SCALE: 1" = 20' VERTICAL SCALE: 1" = 2'

ACCT. NO. 9546127152 440223XX
R-3719
SHEET 1 OF 2

INDEXED 5-20-03 LFT

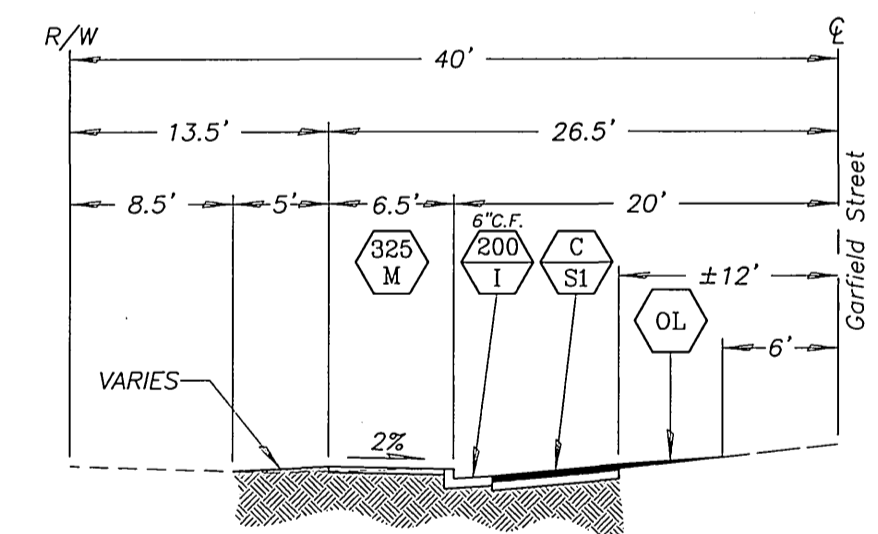
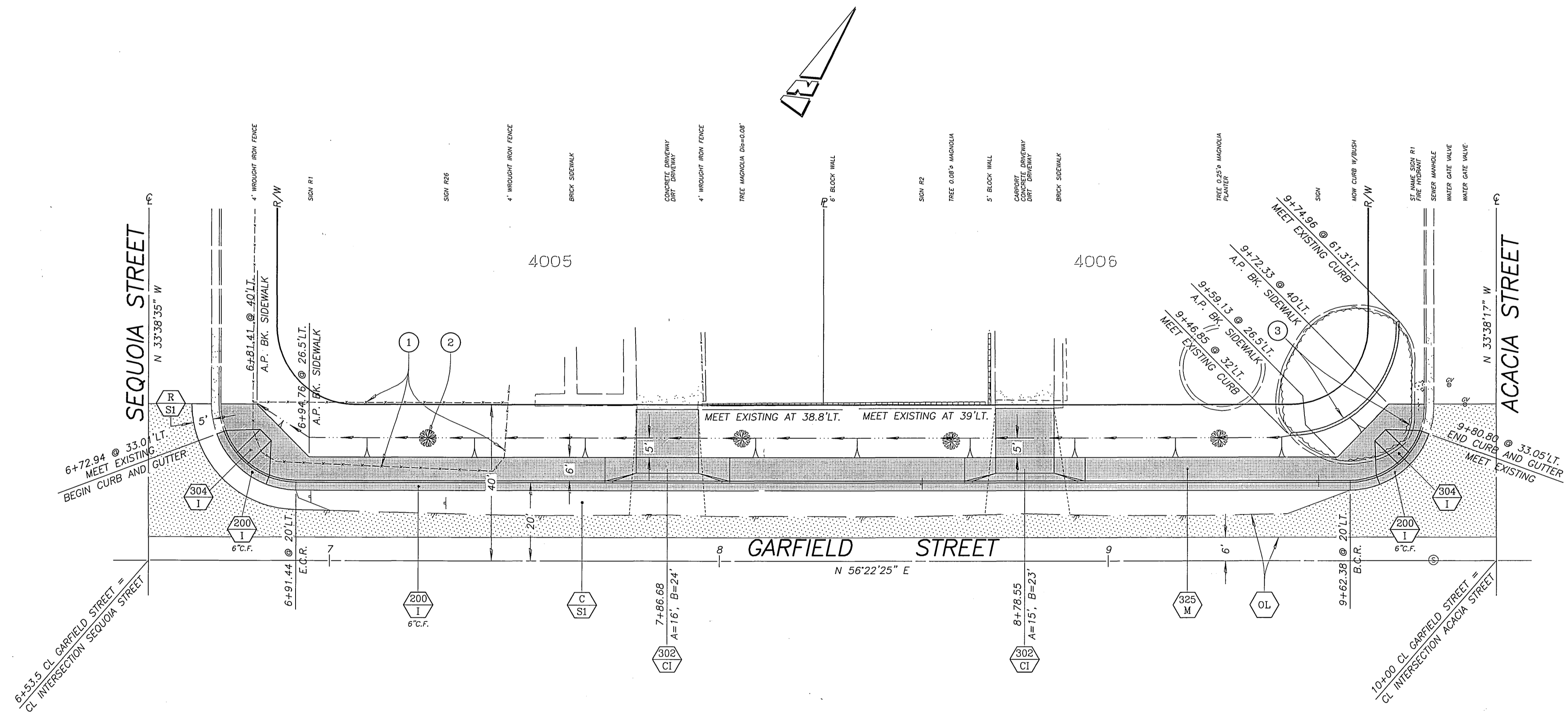
770
 LT. 768
 766
 770
 768
 766

6 7 8 9 10



CONSTRUCTION NOTES

- 200 I CONSTRUCT CURB AND GUTTER PER CITY STANDARD DRAWING 200, TYPE I.
- 302 CI CONSTRUCT DRIVEWAY APPROACH PER CITY STANDARD DRAWING 302, TYPE CURB-I.
- 304 I CONSTRUCT WHEELCHAIR RAMP PER CITY STANDARD DRAWING 304, TYPE I.
- 325 M CONSTRUCT SIDEWALK PER CITY STANDARD DRAWING 325. MODIFICATION: REGRADE BACK OF SIDEWALK AS SHOWN ON PLAN.
- C SI CONSTRUCT STRUCTURAL SECTION OF 0.30' A.C. OVER 0.45' C.A.B.
- R SI REMOVE AND RECONSTRUCT STRUCTURAL SECTION OF 0.30' A.C. OVER 0.45' C.A.B.
- OL CONSTRUCT VARIABLE THICKNESS D.G.A.C. OVERLAY (0.1' MINIMUM THICKNESS). THE EXACT LIMITS OF OVERLAY MAY BE CHANGED AT THE DIRECTION OF THE ENGINEER.
- 1 REMOVE AND RECONSTRUCT WROUGHT IRON FENCE AT 6" BEHIND R/W. WELD THE RELOCATED AND EXISTING SECTIONS AT THE MEET POINTS AND REPAINT THE ENTIRE FENCE ALONG GARFIELD STREET.
- 2 PLANT 24" BOX MAGNOLIA "GRAND FLORA" AT APPROXIMATE LOCATION SHOWN.
- 3 REMOVE AND RECONSTRUCT MOW CURB PER PLAN AND TRIM BACK EXISTING PLANTS.



* AS-BUILT 5-10-04 L/H

IMPORTANT NOTICE
 Section 4216/4217 of the Government Code requires a Dig Alert identification Number to be issued before a "Permit to Excavate" will be sold. For your Dig Alert ID, Number call CALL TOLL FREE 48 HOURS BEFORE YOU DIG UNDERGROUND SERVICE ALERT 1-800-227-2600

ENGINEER IN RESPONSIBLE CHARGE
 MICHAEL KATUSIAN
 R.C.E. No. 36686 expires 6/30/04
 DATE 5/15/03

REGISTERED PROFESSIONAL ENGINEER
 MICHAEL KATUSIAN
 No. 36686
 Exp. 6/30/04
 CIVIL
 STATE OF CALIFORNIA

MARK	REVISIONS	APPR.	DATE
DESIGNED BY	DRAWN BY	CHECKED BY	

CITY OF RIVERSIDE, CALIFORNIA
 PUBLIC WORKS DEPARTMENT

APPROVED BY	BY	DATE
PRINCIPAL ENGINEER	PH	5/15/03
CONST. CONTRACT ADMIN.		
STREET SERVICES		
SURVEYOR		
TRAFFIC DIVISION		
PARKS DEPARTMENT		

DATE 5/15/03

GARFIELD ST. SIDEWALK N'LY SIDE
 Sequoia Street to Acacia Street
 HORIZONTAL SCALE: 1" = 20' VERTICAL SCALE: 1" = 2'

ACCT. NO. 9546127152 440223XX
R-3719
 SHEET 2 OF 2

INDEXED 5-20-03 L/H