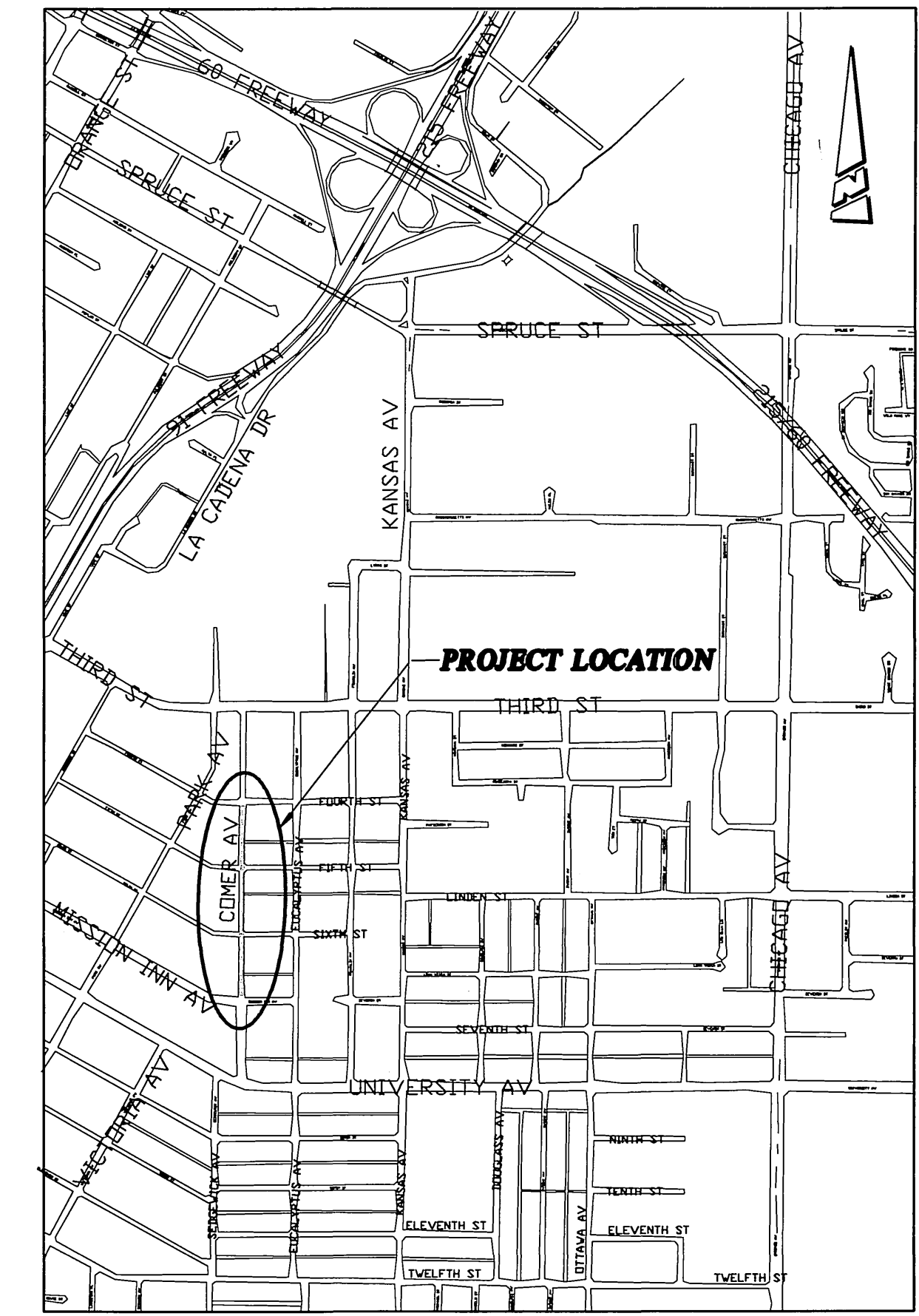


RIVERSIDE CITY OF RIVERSIDE CALIFORNIA

PUBLIC WORKS DEPARTMENT

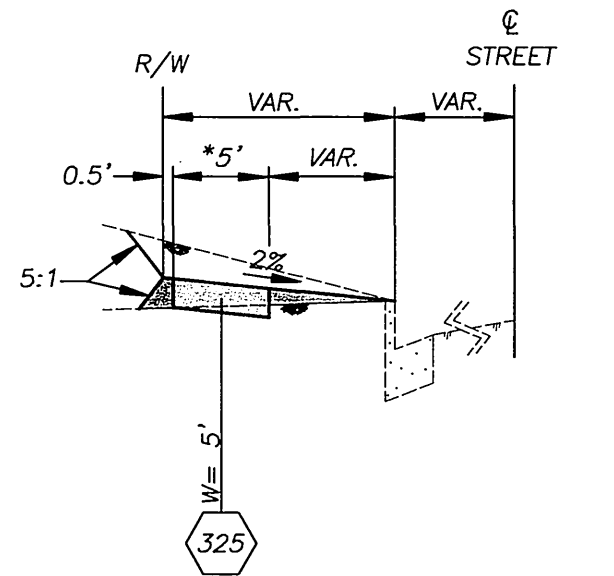
2003/2004 EASTSIDE STREET IMPROVEMENTS PROJECTS (CDBG)

COMER AVENUE SIDEWALK



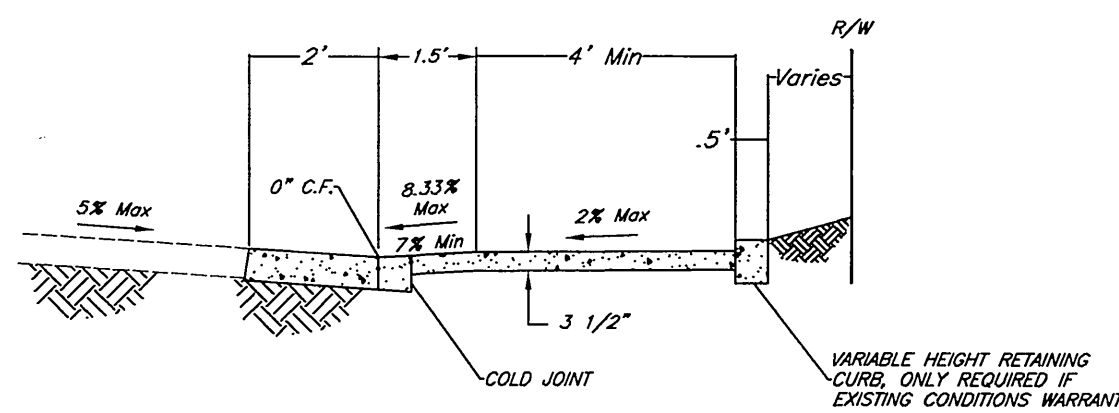
PROJECT LOCATION MAP

N.T.S.

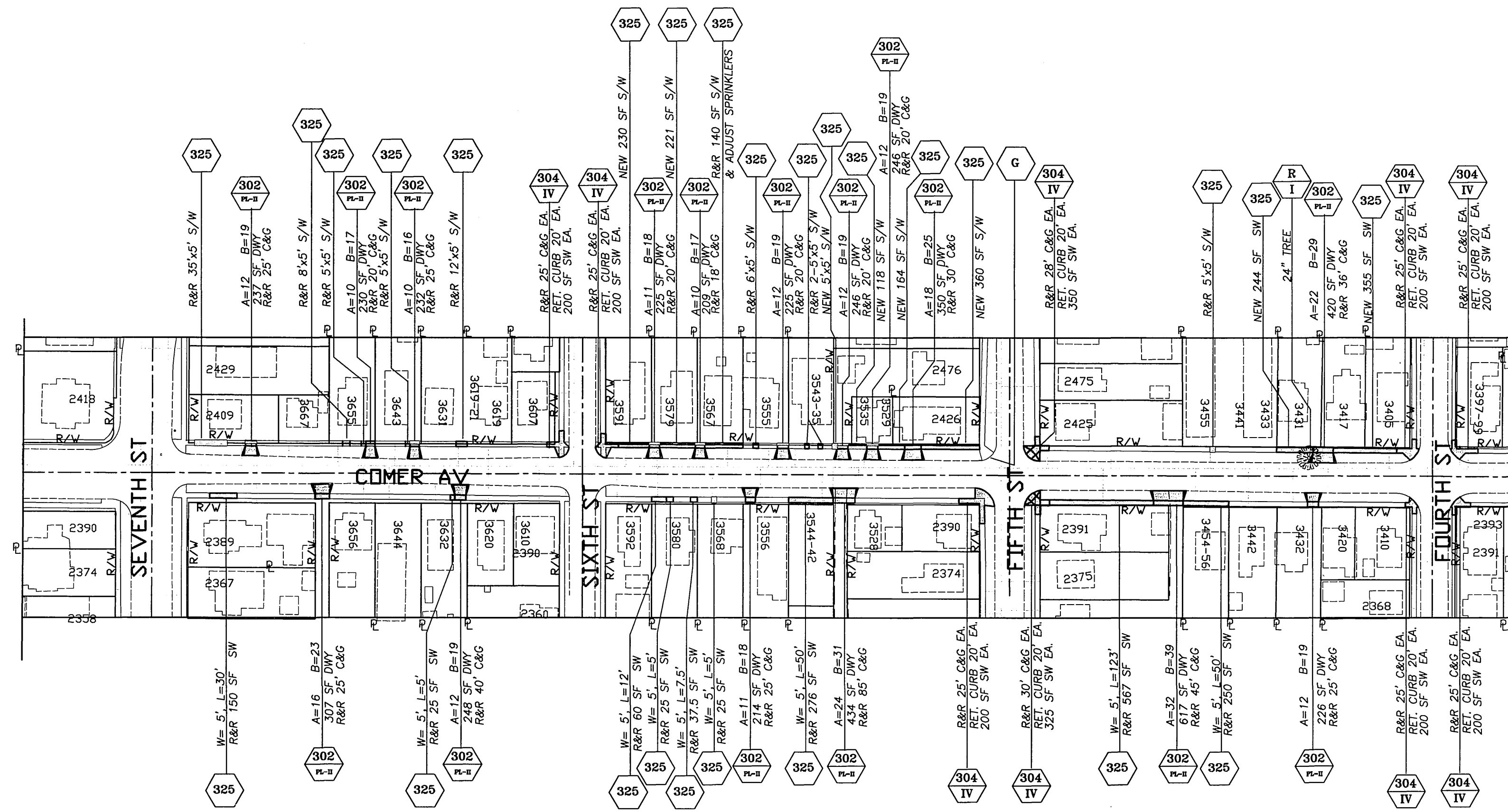


TYPICAL SECTION OF PROPERTY LINE SIDEWALK
(NTS)

* SIDEWALK WIDTH SHALL BE ADJUSTED TO PROVIDE A MIN. 4' CLEAR PATHWAY AT ANY OBSTRUCTION.



SECTION A-A



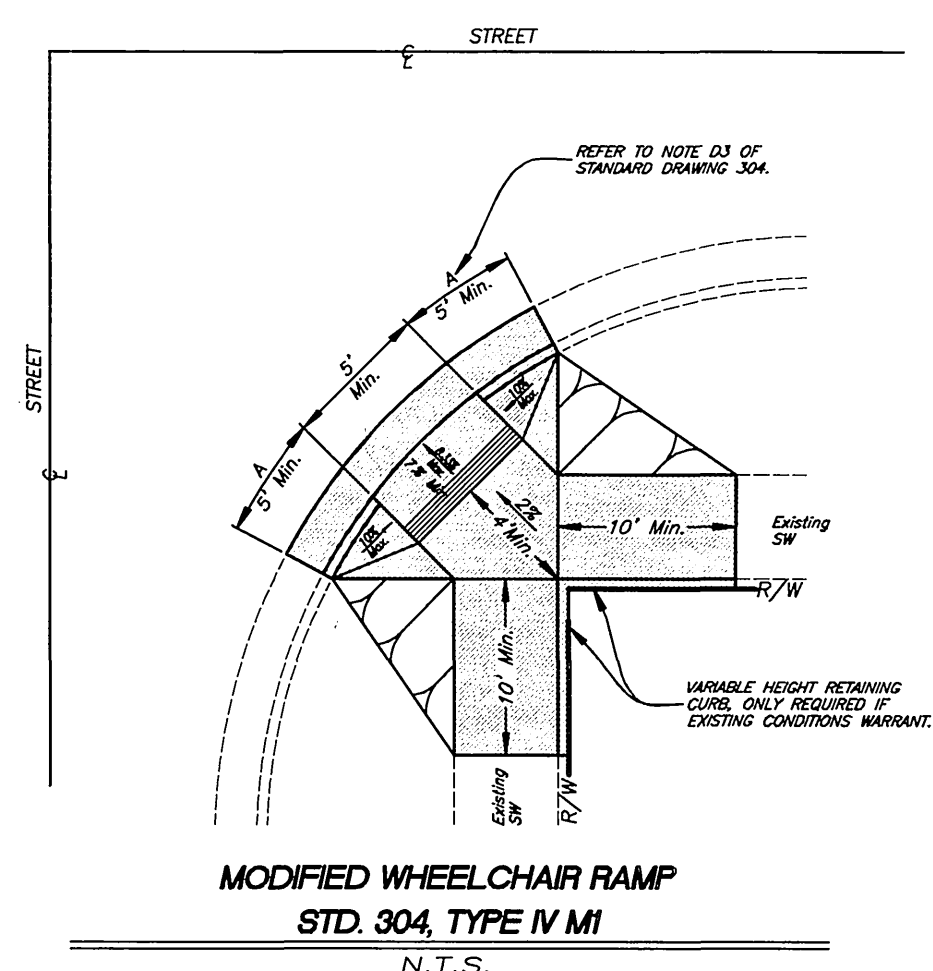
COMER AVENUE - FOURTH STREET TO SEVENTH STREET

GENERAL CONSTRUCTION NOTES

- EXISTING UTILITIES, SHOWN ON THIS PLAN, ARE PLOTTED FROM UTILITY RECORDS. THE CONTRACTOR IS REQUIRED TO TAKE DUE PRECAUTIONARY MEASURES TO LOCATE AND PROTECT ALL UTILITIES WHETHER OR NOT SHOWN ON THIS PLAN. THE UTILITY IS NOT EXPECTED TO CONFLICT WITH THE PROPOSED IMPROVEMENTS.
- PRIME CONTRACTORS BIDDING THIS WORK SHALL HAVE A CLASS A OR C-B LICENSE.
- CONFLICTING UTILITIES, IF ANY, WITHIN CONSTRUCTION AREA, SHALL BE RELOCATED PRIOR TO CONSTRUCTION.
- TREES AND SHRUBS, AFFECTED BY THE PROPOSED SIDEWALK CONSTRUCTION, SHALL BE TRIMMED TO AT LEAST 8' VERTICALLY ABOVE THE SIDEWALK SURFACE AND TO AT LEAST 3' LATERALLY OF THE SIDEWALK, WHERE RIGHT-OF-WAY PERMITS.
- MAIL BOXES, INTERFERING WITH PROPOSED SIDEWALK CONSTRUCTION, SHALL BE TEMPORARILY RELOCATED TO ENABLE PROPERTY OWNERS TO RECEIVE THEIR MAIL AND BE REINSTALLED IN FINAL POSITION BY THE CONTRACTOR.
- WATER METERS, GAS METERS AND ALL STREET PULL BOXES AFFECTED BY CONSTRUCTION, SHALL BE ADJUSTED TO THE PROPOSED SIDEWALK GRADE.
- EXISTING SPRINKLERS AND IRRIGATION LINES, AFFECTED BY THE CONSTRUCTION OF THE PROPOSED SIDEWALK, SHALL BE RELOCATED TO THE BACK OF THE SIDEWALK OR MODIFIED TO COVER EXISTING IRRIGATION AREA EXCEPT THE NEW PAVED AREA.

SPECIFIC CONSTRUCTION NOTES

- NUMBERS, ABOVE 100 IN A HEXAGON ON THE PLAN, REFER TO THE RESPECTIVE STANDARD DRAWING AND SHALL BE CONSTRUCTED ACCORDINGLY, UNLESS MODIFICATIONS ARE NOTED ON THE PLAN OR COVER SHEET. ANY NUMBER SHOWN BELOW THE STANDARD DRAWING NUMBER INDICATES THE SPECIFIC ALTERNATE TO BE CONSTRUCTED.
- REMOVE EXISTING TREE, CLASS I: 6" TO 18", CLASS II: 18" TO 36", CLASS III: OVER 36" (BY OTHERS)
- RELOCATE CHAINLINK FENCE OR WROUGHT IRON FENCE TO 0.5' OUTSIDE R/W. (NOTE: REUSE EXISTING FENCE FABRIC AND USE NEW IN KIND POSTS)
- CONSTRUCT WHEELCHAIR RAMP PER STD. DWG. 304 OR MODIFIED WHEELCHAIR RAMP SHOWN ON THIS PLAN.
- GRIND CURB FACE AT WHEELCHAIR RAMP PER DETAIL ON THIS PLAN.



MODIFIED WHEELCHAIR RAMP
STD. 304, TYPE IV MI
N.T.S.

IMPORTANT NOTICE
Section 4216/4217 of the Government Code requires a Dig Alert Identification Number to be issued before a "Permit to Excavate" will be valid. For your Dig Alert ID Number call CALL TOLL FREE 48 HOURS BEFORE YOU DIG UNDERGROUND SERVICE ALERT 1-800-227-2600

ENGINEER IN RESPONSIBLE CHARGE
Farshid A. Mohammadi
FARSHID A. MOHAMMADI
R.C.E. NO. 51304 EXPIRES 6/30/2006
DATE 2/6/2004

REGISTERED PROFESSIONAL ENGINEER
FARSHID A. MOHAMMADI
No. 51304
Exp. 6-30-2006
CIVIL
STATE OF CALIFORNIA

DESIGNED BY	ABE	DRAWN BY	ABE	CHECKED BY	
-------------	-----	----------	-----	------------	--

CITY OF RIVERSIDE, CALIFORNIA PUBLIC WORKS DEPARTMENT	
APPROVED BY	DATE
PRINCIPAL ENGINEER	2/6/04
INSPECTOR	2/6/04
STREET SERVICES	2/6/04
TRAFFIC ENGINEER	

COMER AVENUE SIDEWALK CONSTRUCTION FOURTH ST. TO SEVENTH ST.
HORIZ. SCALE: 1" = 100'

ACCT. NO.: 9216800611-440120XX
R-3755
SHEET 1 OF 1
FILE: MABE\DRAWING\CDBG\R-3755

INDEXED 7-12-04