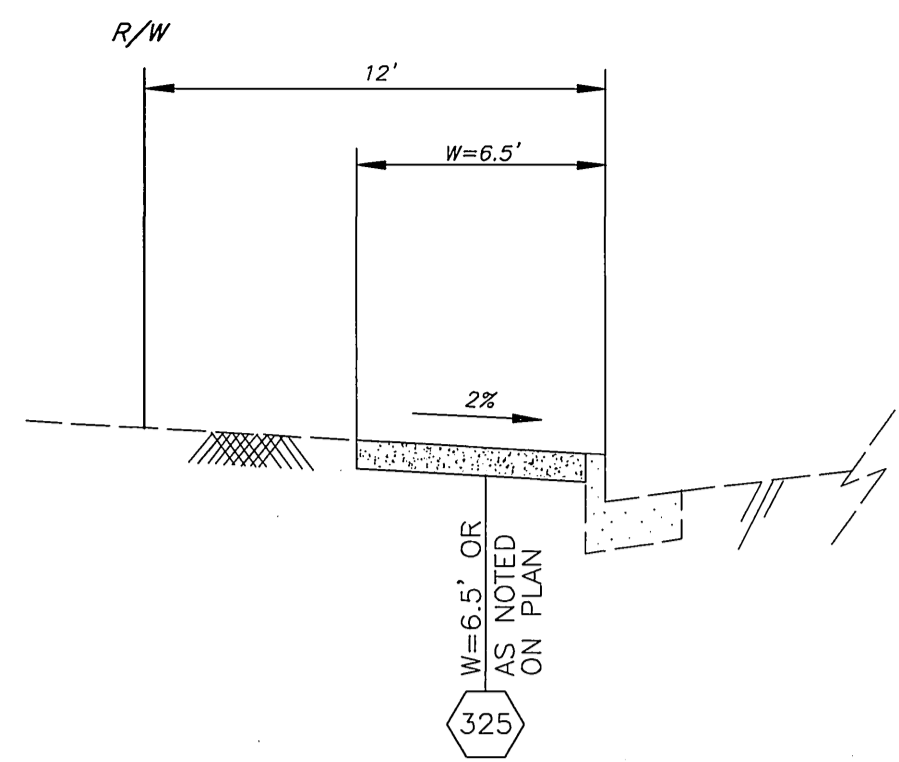


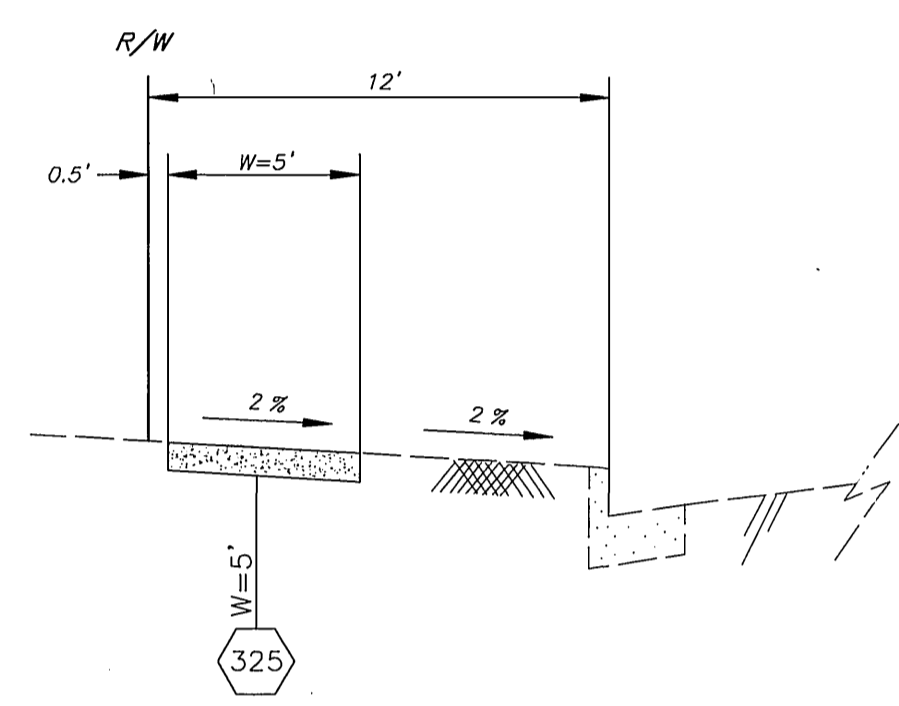
GENERAL CONSTRUCTION NOTES

- EXISTING UTILITIES, SHOWN ON THIS PLAN, ARE PLOTTED FROM UTILITY RECORDS. THE CONTRACTOR IS REQUIRED TO TAKE DUE PRECAUTIONARY MEASURES TO LOCATE AND
- PRIME CONTRACTORS BIDDING THIS WORK SHALL HAVE A CLASS A OR C-12 LICENSE.
- TREES AND SHRUBS, AFFECTED BY THE PROPOSED SIDEWALK CONSTRUCTION, SHALL BE TRIMMED TO AT LEAST 8' VERTICALLY ABOVE THE SIDEWALK SURFACE AND TO AT LEAST 3' LATERALLY OF THE SIDEWALK, WHERE RIGHT-OF-WAY PERMITS.
- MAIL BOXES, INTERFERING WITH PROPOSED SIDEWALK CONSTRUCTION, SHALL BE TEMPORARILY RELOCATED TO ENABLE PROPERTY OWNERS TO RECEIVE THEIR MAIL AND BE REINSTALLED IN FINAL POSITION BY THE CONTRACTOR.
- WATER METERS, GAS METERS AND ALL STREET PULL BOXES AFFECTED BY CONSTRUCTION, SHALL BE ADJUSTED TO THE PROPOSED SIDEWALK GRADE.
- EXISTING SPRINKLERS AND IRRIGATION LINES, AFFECTED BY THE CONSTRUCTION OF THE PROPOSED SIDEWALK, SHALL BE RELOCATED TO THE BACK OF THE SIDEWALK OR MODIFIED TO COVER EXISTING IRRIGATION AREA EXCEPT THE NEW PAVED AREA.



CURB LINE SIDEWALK TYPICAL SECTION
(NTS)

* : SIDEWALK WIDTH SHALL BE ADJUSTED TO PROVIDE A 4' CLEAR PATHWAY @ ANY OBSTRUCTION.



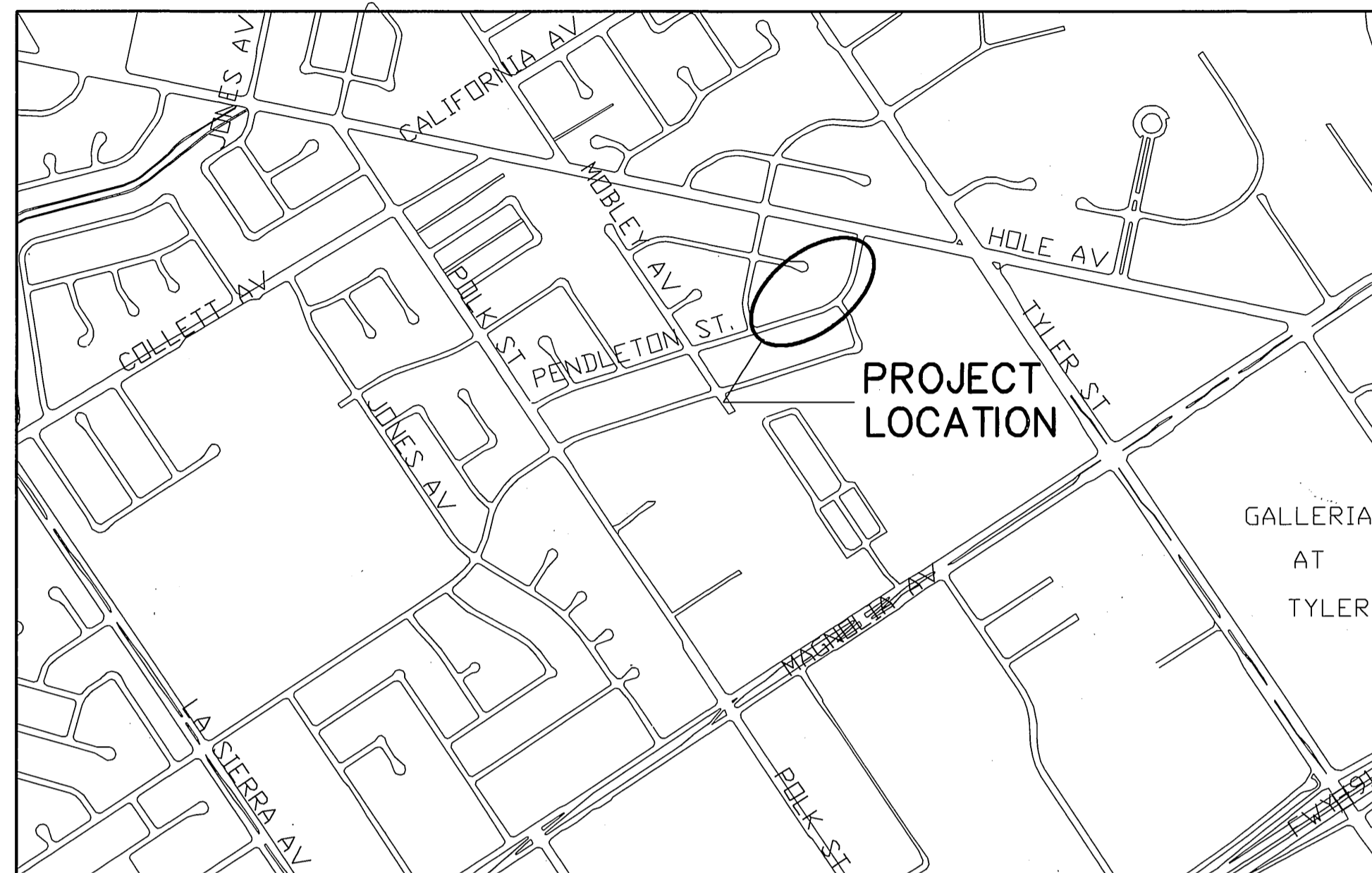
PROPERTY LINE SIDEWALK TYPICAL SECTION
(NTS)

* : SIDEWALK WIDTH SHALL BE ADJUSTED TO PROVIDE A 4' CLEAR PATHWAY @ ANY OBSTRUCTION.

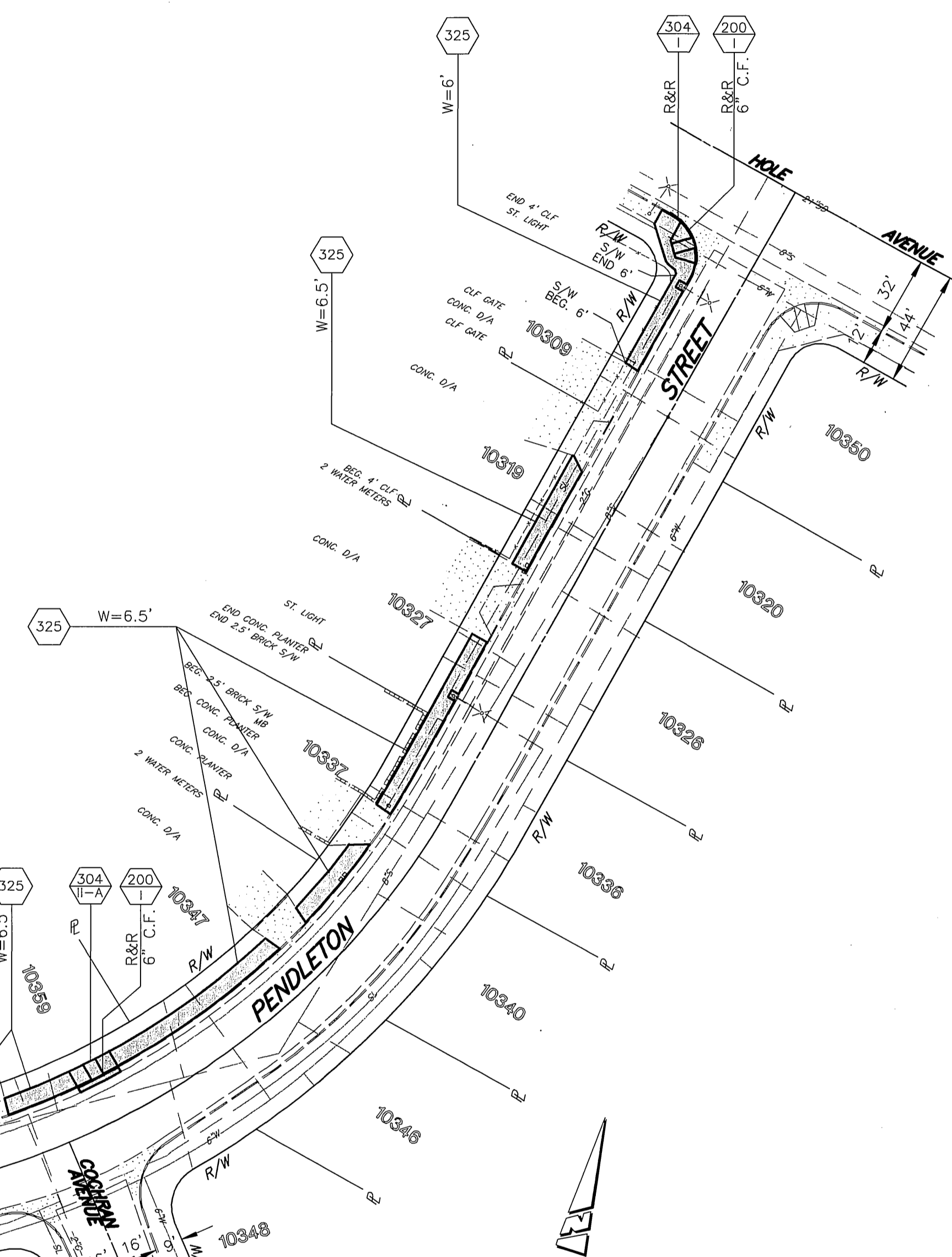
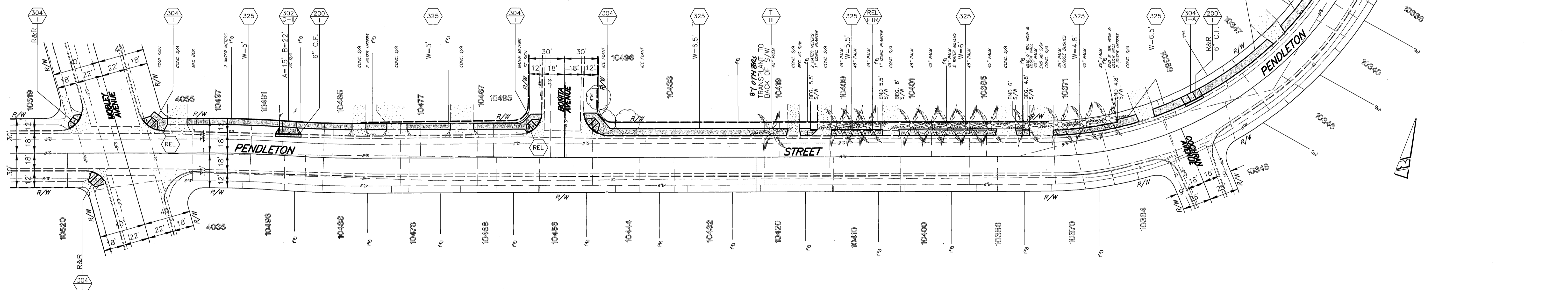
SPECIFIC CONSTRUCTION NOTES

NUMBERS, ABOVE 100 IN A HEXAGON ON THE PLAN, REFER TO THE RESPECTIVE STANDARD DRAWING AND SHALL BE CONSTRUCTED ACCORDINGLY. UNLESS MODIFICATIONS ARE NOTED ON THE PLAN OR COVER SHEET. ANY NUMBER SHOWN BELOW THE STANDARD DRAWING NUMBER INDICATES THE SPECIFIC ALTERNATE TO BE CONSTRUCTED.

- REL RELOCATE STREET SIGNS.
- REL PTR RELOCATE 1' TALL CONCRETE PLANTER.

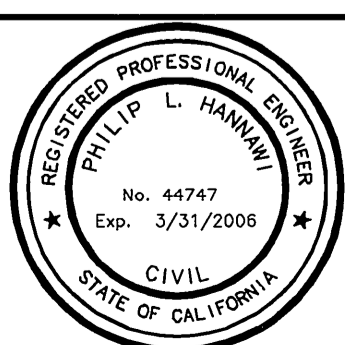


PROJECT LOCATION MAP
(NTS)



IMPORTANT NOTICE
Section 4216/4217 of the Government Code requires a Dig Alert Identification Number to be posted before a permit to excavate will be void. For your Dig Alert 1.0. Number call CALL TOLL FREE 48 HOURS BEFORE YOU DIG UNDERGROUND SERVICE ALERT 1-800-227-2600

ENGINEER IN RESPONSIBLE CHARGE
PHILIP L. HANNAWI
R.C.E. No. 44747 expires 3/31/2006
DATE 10/17/05



CITY OF RIVERSIDE, CALIFORNIA PUBLIC WORKS DEPARTMENT	
APPROVED BY: [Signature]	DATE: 10/17/05
PRINCIPAL ENGINEER	CITY ENGINEER
CONTRACT ADMIN.	
SURVEYOR	
STREET SERVICES	
TRAFFIC DIVISION	
PARK & REC. DEP.	

PENDLETON STREET SIDEWALK CONSTRUCTION
(N'LY SIDE FROM MOBLEY AVENUE TO HOLE AVENUE)
ACCT. NO.: R-3887
SHEET 1 OF 1
FILE: COMMON/COMPLETE/R3887