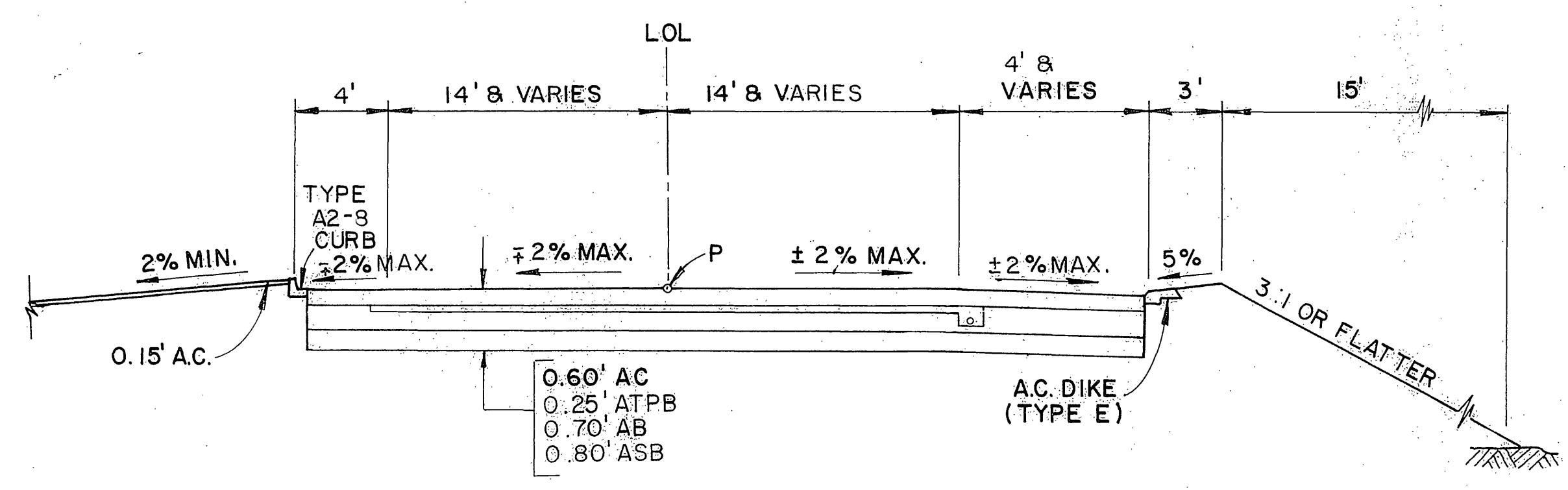


DIST	COUNTY	ROUTE	POST MILES TOTAL PROJECT	SHEET NO.	TOTAL SHEETS
8	RIV	215	342/R 383		

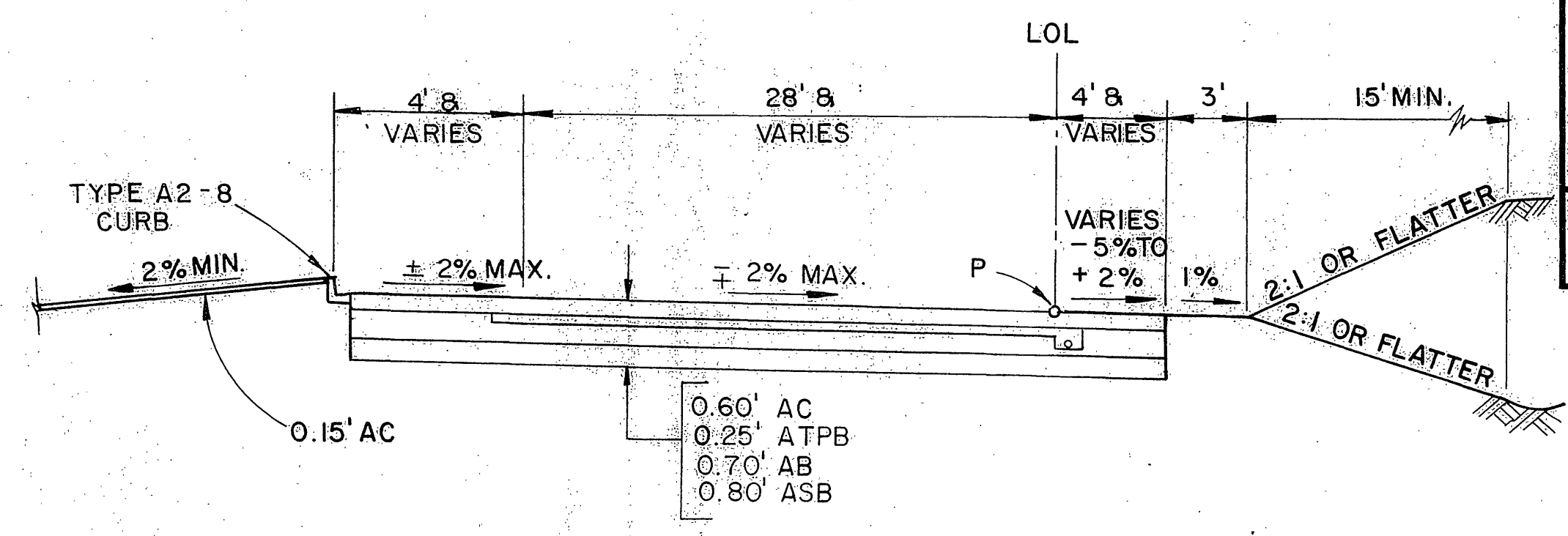
REGISTERED CIVIL ENGINEER

PLANS APPROVAL DATE

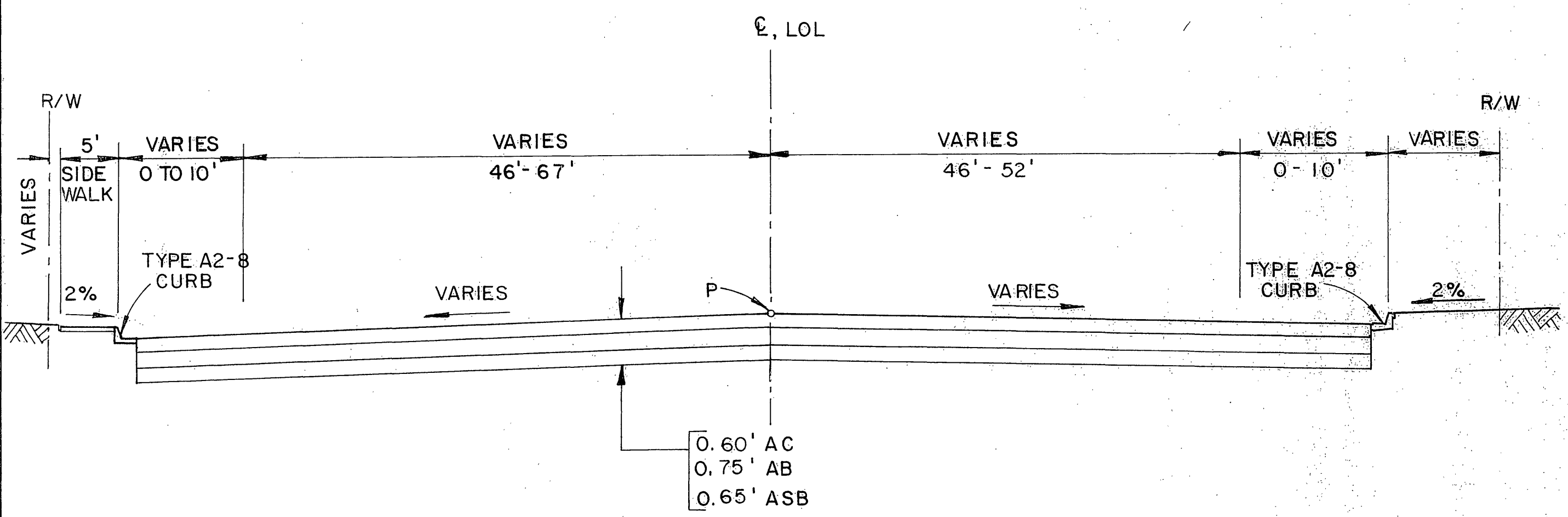
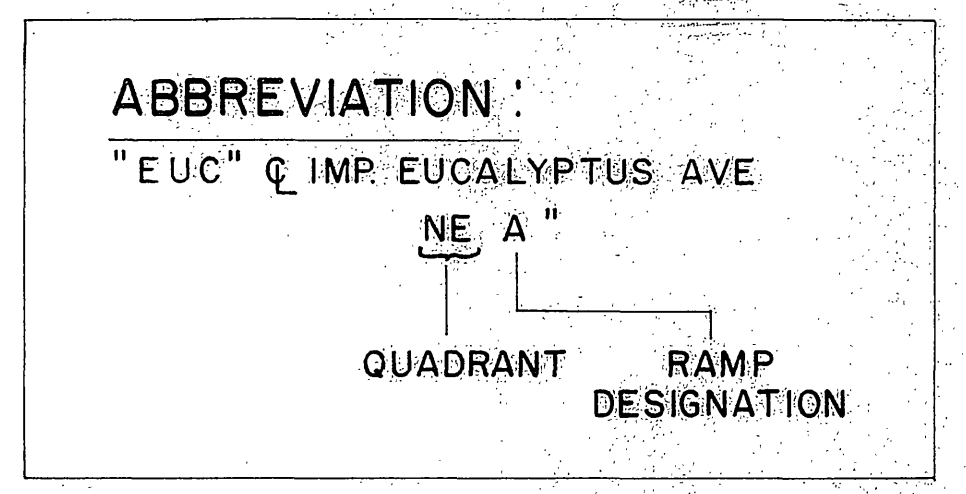
**Greiner, Inc.**  
1221 EAST DYER ROAD, Suite 100  
SANTA ANA, CALIFORNIA 92705-5605



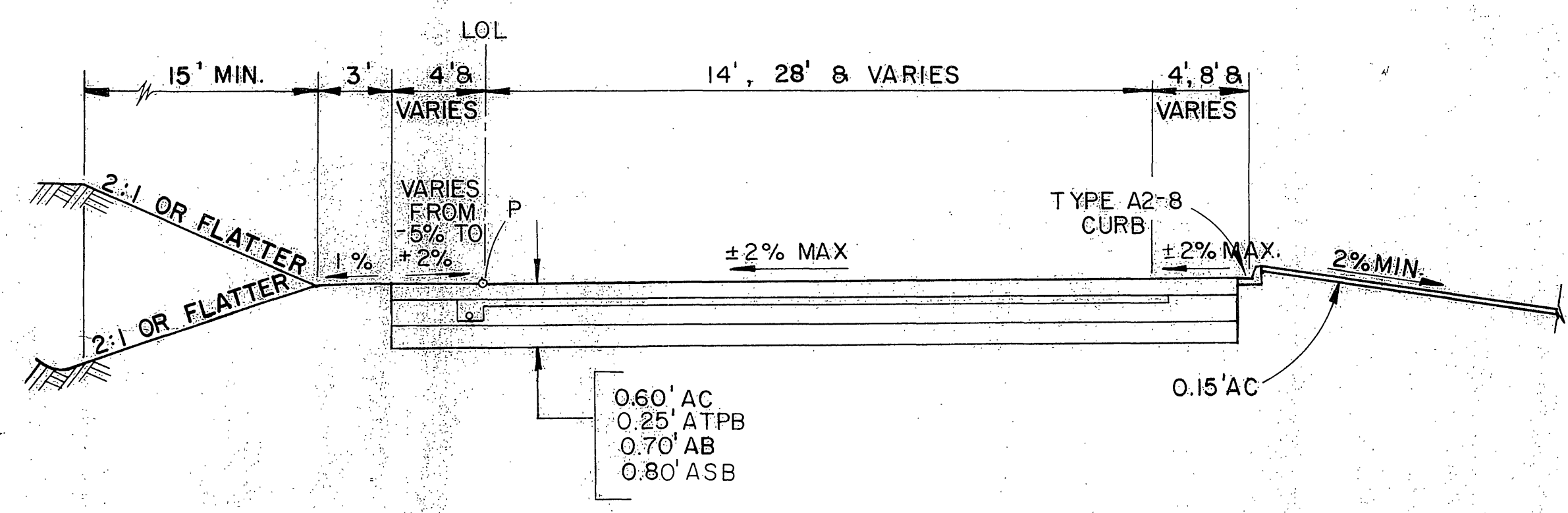
**RAMP SEB @ EUCALYPTUS**  
STA 549 + 66.06 TO STA 551 + 71.87



**RAMPS @ EUCALYPTUS**  
NWA STA 553 + 32.36 TO STA 554 + 73.24  
SWA STA 550 + 41.79 TO STA 551 + 46.92  
NEB STA 551 + 75.36 TO STA 554 + 52.97

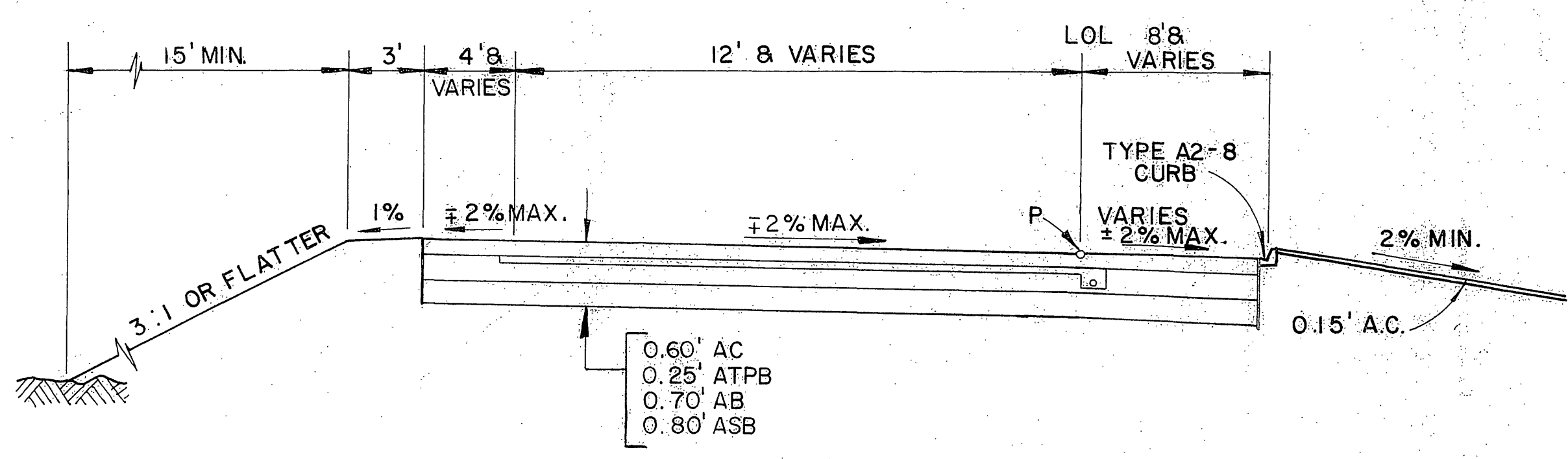


**EUCALYPTUS AVE.**  
STA 187 + 50.00 TO STA 208 + 81.55

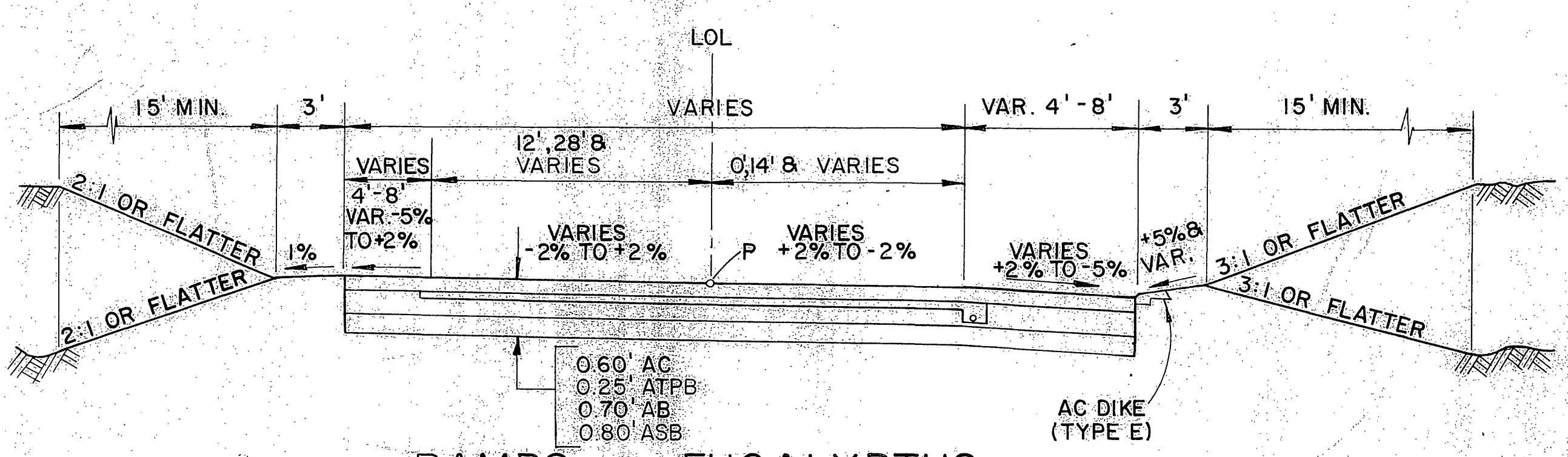


**RAMPS @ EUCALYPTUS**  
SWB STA 550 + 52.11 TO STA 551 + 64.16  
NEA STA 552 + 31.57 TO STA 554 + 63.36  
SEA STA 549 + 55.16 TO STA 551 + 54.77

- NOTES:**
- DIMENSIONS OF THE STRUCTURAL SECTIONS ARE SUBJECT TO TOLERANCES SPECIFIED IN THE STD. SPECIFICATIONS.
  - SUPERELEVATION AS SHOWN OR AS DIRECTED BY THE ENGINEER.



**RAMP NWB @ EUCALYPTUS**  
STA 553 + 34.57 TO STA 554 + 73.24



**RAMPS @ EUCALYPTUS**  
NWA 554 + 73.24 TO 557 + 50.00  
NEA 554 + 63.36 TO 557 + 50.00  
SEA 543 + 00.00 TO 549 + 55.16  
SWA 543 + 00.00 TO 550 + 41.79

R-3946  
**TYPICAL CROSS SECTIONS**  
NO SCALE  
JUL 11 1989

STATE OF CALIFORNIA - DEPARTMENT OF TRANSPORTATION  
**Caltrans**

DATE	REVISOR	DATE	REVISOR

PROJECT ENGINEER  
CALCULATED/DESIGNED BY  
CHECKED BY

DIST	COUNTY	ROUTE	POST MILES TOTAL PROJECT	SHEET NO.	TOTAL SHEETS
8	RIV.	215	342/395		

REGISTERED CIVIL ENGINEER

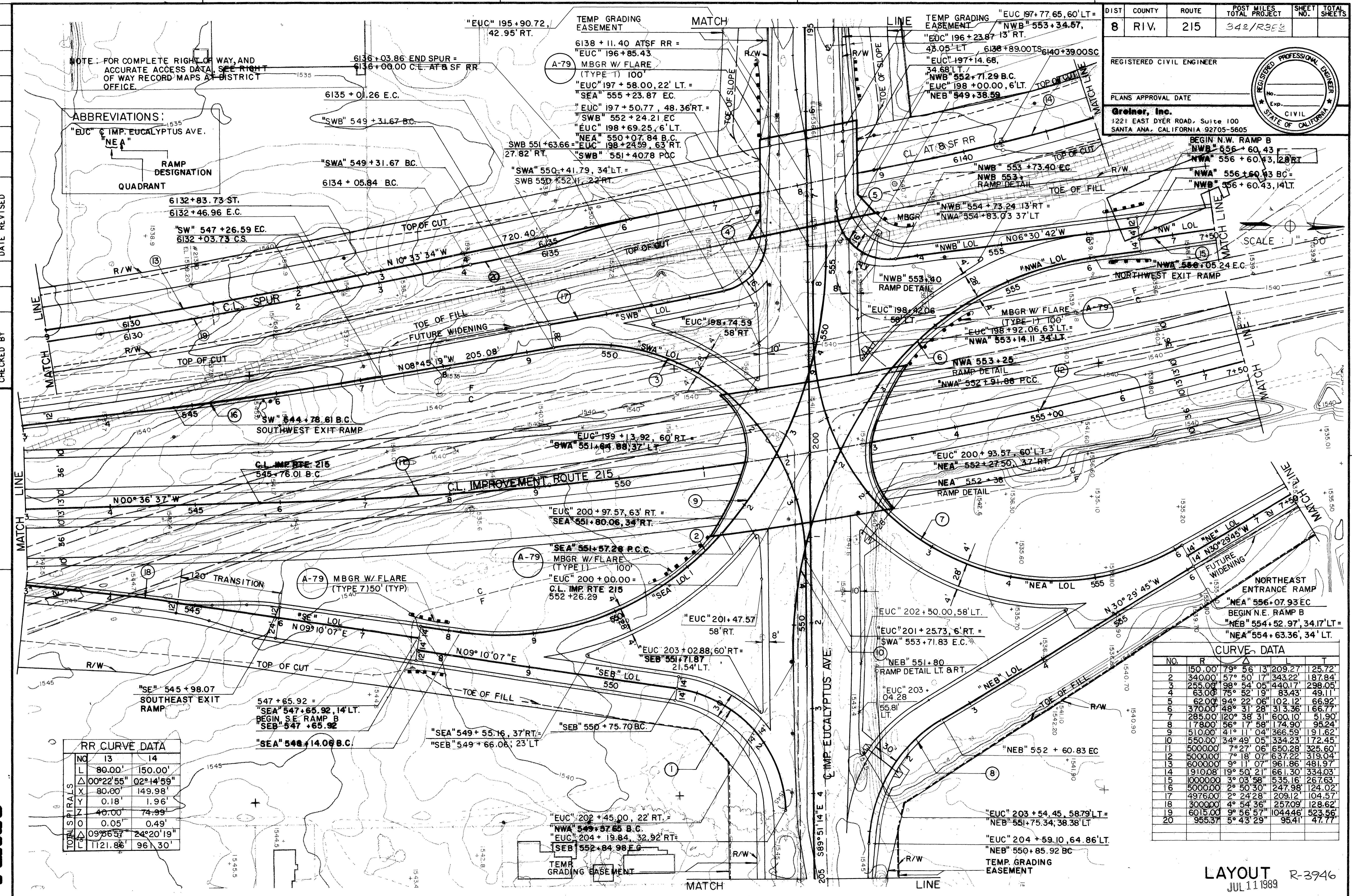
PLANS APPROVAL DATE

**Greiner, Inc.**  
1221 EAST DYER ROAD, Suite 100  
SANTA ANA, CALIFORNIA 92705-5605

REGISTERED PROFESSIONAL ENGINEER  
No. \_\_\_\_\_  
Exp. \_\_\_\_\_  
CIVIL  
STATE OF CALIFORNIA

NOTE: FOR COMPLETE RIGHT OF WAY, AND ACCURATE ACCESS DATA, SEE RIGHT OF WAY RECORD MAPS AT DISTRICT OFFICE.

ABBREVIATIONS:  
"EUC" = IMP. EUCALYPTUS AVE.  
"NEA" = NEAR  
RAMP DESIGNATION QUADRANT



RR CURVE DATA

NO.	R	L	Δ	T
13	80.00'	150.00'	00°22'55"	02°14'59"
14	80.00'	149.98'	01°18'00"	02°14'59"
15	40.00'	74.99'	00°05'00"	01°07'30"
16	1121.86'	96'30"	09°56'57"	24°20'19"

CURVE DATA

NO.	R	L	Δ	T
1	150.00'	79°56'13"	209.27'	125.72'
2	340.00'	57°50'17"	343.22'	187.84'
3	255.00'	98°54'05"	440.17'	298.05'
4	63.00'	75°52'19"	83.43'	49.11'
5	62.00'	94°22'06"	102.12'	66.92'
6	370.00'	48°31'28"	313.36'	166.77'
7	285.00'	120°38'31"	600.10'	51.90'
8	1780.00'	56°17'58"	174.90'	95.24'
9	510.00'	41°11'04"	366.59'	191.62'
10	550.00'	34°49'05"	334.23'	172.45'
11	5000.00'	72°27'06"	650.28'	325.60'
12	5000.00'	72°18'07"	637.22'	319.04'
13	6000.00'	9°11'07"	961.86'	481.97'
14	1910.00'	19°50'21"	661.30'	334.03'
15	10000.00'	3°03'56"	535.16'	267.63'
16	5000.00'	2°50'30"	247.98'	124.02'
17	4976.00'	2°24'28"	209.12'	104.57'
18	3000.00'	4°54'36"	257.09'	128.62'
19	6015.00'	9°56'57"	1044.46'	523.56'
20	955.37'	5°43'29"	95.41'	47.77'

STATE OF CALIFORNIA - DEPARTMENT OF TRANSPORTATION  
Caltrans

DATE REVISION BY DATE REVISION BY

CHECKED BY

PROJECT ENGINEER

DATE REVISION BY DATE REVISION BY

FOR REDUCED PLANS ORIGINAL SCALE IS IN INCHES 0 1 2 3

LAYOUT R-3946  
JUL 11 1989

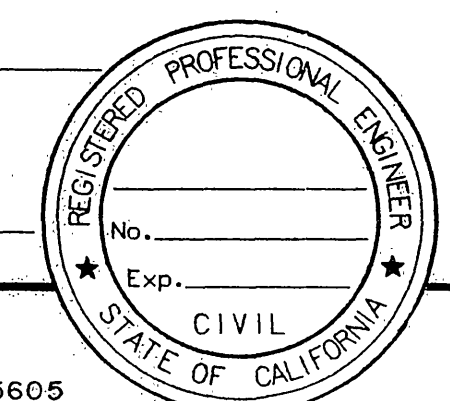
RECEIVED  
JUL 11 1989

INDEXED 6-21-06 LFL

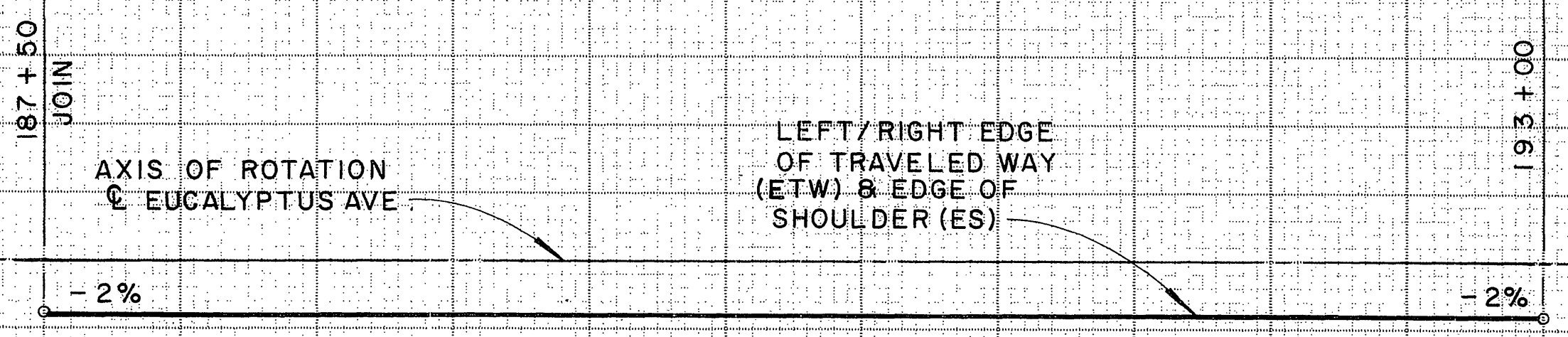
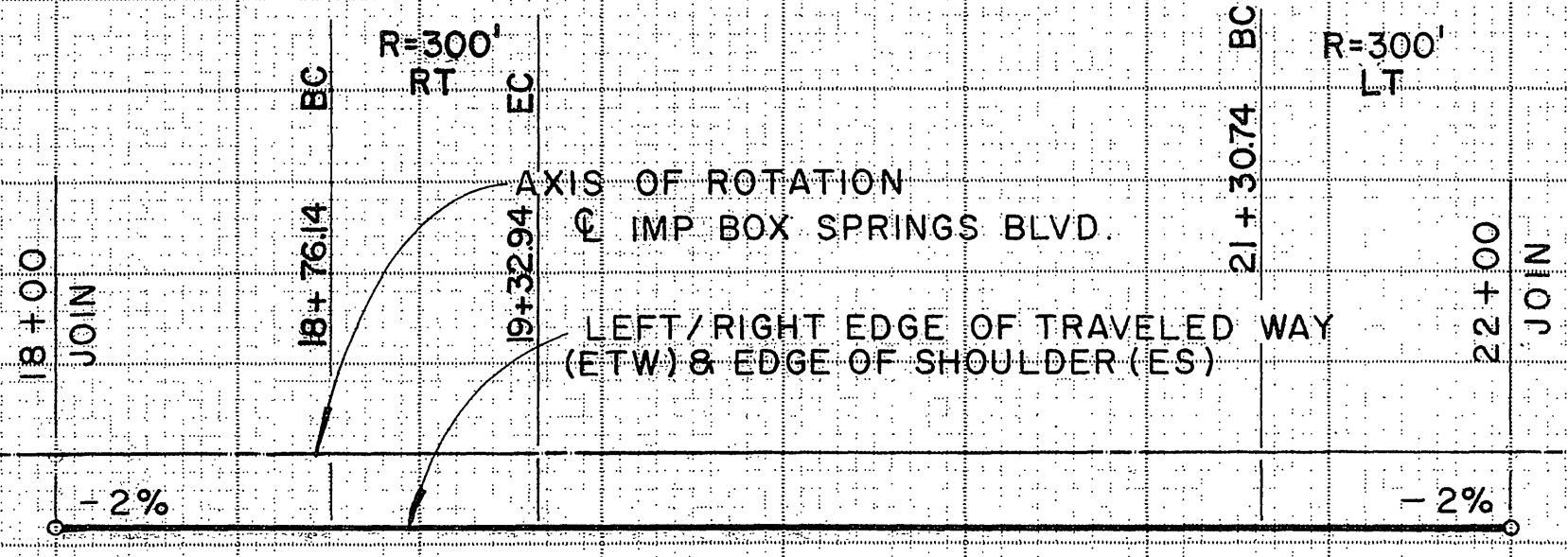


STATE OF CALIFORNIA - DEPARTMENT OF TRANSPORTATION  
**Caltrans**  
 PROJECT ENGINEER  
 CALCULATED/DESIGNED BY  
 CHECKED BY  
 DATE  
 REVISED BY  
 DATE REVISED

DIST	COUNTY	ROUTE	POST MILES TOTAL PROJECT	SHEET NO.	TOTAL SHEETS
8	RIV	215	34.2 / R 38.2		
REGISTERED CIVIL ENGINEER					
PLANS APPROVAL DATE					
<b>Greiner, Inc.</b> 1221 EAST DYER ROAD, Suite 100 SANTA ANA, CALIFORNIA 92705-5605					

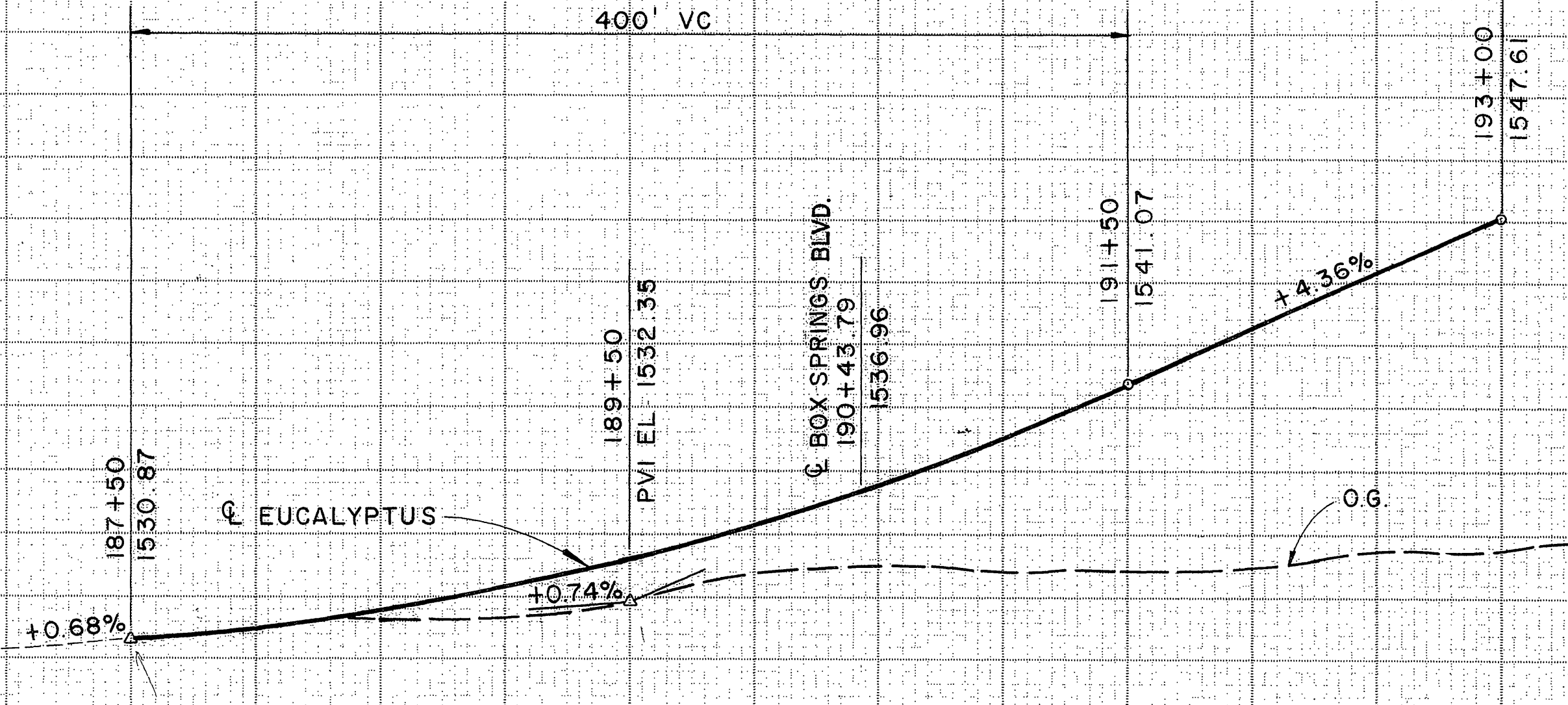
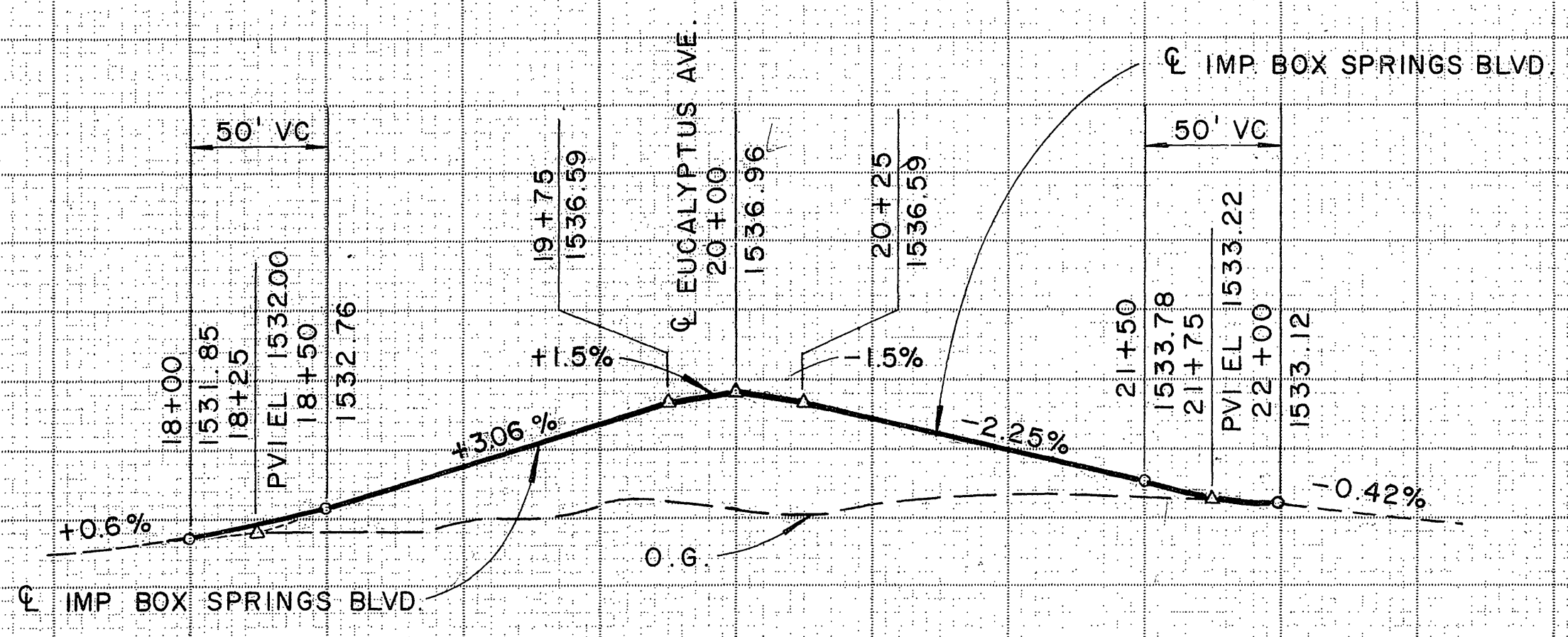


**BENCH MARKS:**  
 55-A-69 SPHD NAIL IN LEAD IN RR CULVERT  
 HEAD WALL 133' LT. Q. EXIST.  
 547' ± 06.00 EL. = 1535.35  
 56-A-69 PIN IN R/W MON 100' LT. Q. EXIST.  
 557' ± 35.00 EL. = 1533.91  
 SEA LEVEL DATUM OF 1929 AND THE FIRST  
 ORDER RIVERSIDE COUNTY COOPERATIVE  
 LEVELING OF 1970.



**SUPERELEVATION DIAGRAM**

**SUPERELEVATION DIAGRAM**



**PROFILE**

**PROFILE**

**BOX SPRINGS BLVD.**

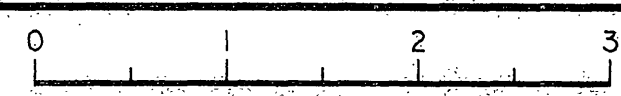
**EUCALYPTUS AVE.**

**PROFILE**

Station 18 19 20 21 22 187 188 189 190 191 192 193

Cu.  
Exc.  
Yds. Emb.

FOR REDUCED PLANS ORIGINAL SCALE IS 1" = 10' INCHES

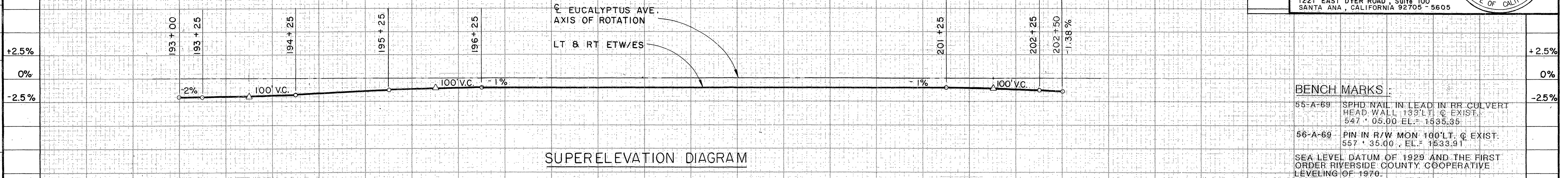
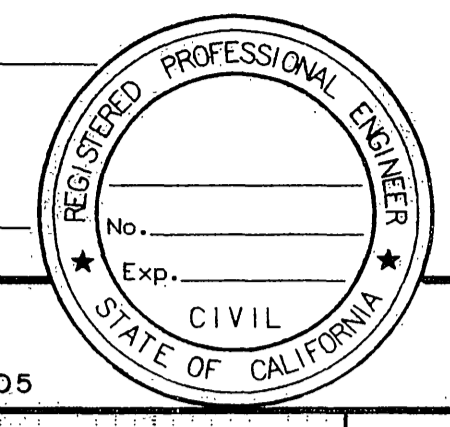


CU

JUL 11 1989 RECEIVED  
 EA JUL 18 1989

STATE OF CALIFORNIA - DEPARTMENT OF TRANSPORTATION  
**Caltrans**  
 PROJECT ENGINEER  
 CALCULATED/DESIGNED BY  
 CHECKED BY  
 DATE  
 REVISED BY  
 DATE REVISED

DIST	COUNTY	ROUTE	POST MILES TOTAL PROJECT	SHEET NO.	TOTAL SHEETS
8	RIV	215	34.2 / R.38.3		
REGISTERED CIVIL ENGINEER					
PLANS APPROVAL DATE					
<b>Greiner, Inc.</b> 1221 EAST DYER ROAD, Suite 100 SANTA ANA, CALIFORNIA 92705-5605					

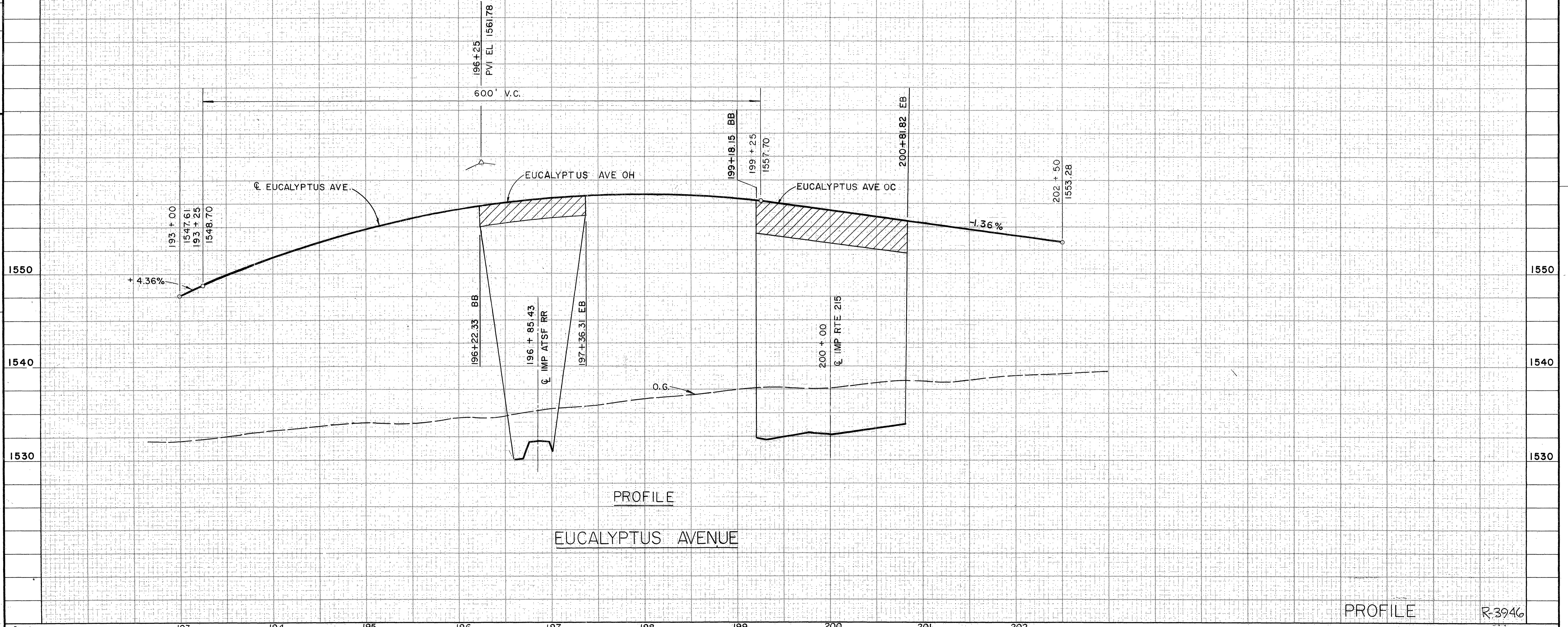


**BENCH MARKS:**

55-A-69 SPHD NAIL IN LEAD IN RR CULVERT HEAD WALL 133' LT. C. EXIST. 547' 05.00 EL. = 1535.35

56-A-69 PIN IN R/W MON 100' LT. C. EXIST. 557' 35.00 EL. = 1533.91

SEA LEVEL DATUM OF 1929 AND THE FIRST ORDER RIVERSIDE COUNTY COOPERATIVE LEVELING OF 1970.



Station	193	194	195	196	197	198	199	200	201	202
Cu.										
Exc.										
Emb.										

FOR REDUCED PLANS ORIGINAL SCALE IS IN INCHES

PROFILE R-3946

JUL 11 1989

CU EA RECEIVED JUL 18 1989 DEPT. OF PUBLIC WORKS

INDEXED 6-21-06 4H

DIST	COUNTY	ROUTE	POST MILES TOTAL PROJECT	SHEET NO.	TOTAL SHEETS
8	RIV	215	74.2 / 123.2		

REGISTERED CIVIL ENGINEER

PLANS APPROVAL DATE

**Greiner, Inc.**  
 1221 EAST DYER ROAD, Suite 100  
 SANTA ANA, CALIFORNIA 92705 - 5605

REGISTERED PROFESSIONAL ENGINEER  
 No. \_\_\_\_\_  
 Exp. \_\_\_\_\_  
 CIVIL  
 STATE OF CALIFORNIA

STATE OF CALIFORNIA - DEPARTMENT OF TRANSPORTATION  
**Caltrans**

PROJECT ENGINEER

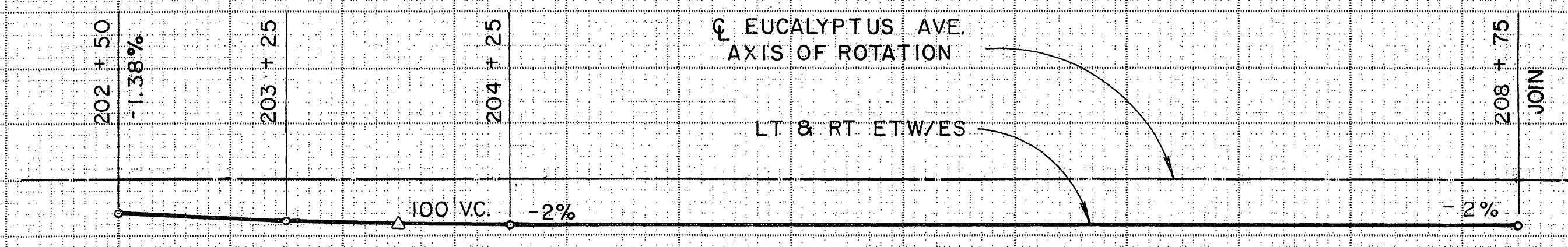
DATE

REVISOR BY

DATE REVISOR

CALCULATED/DESIGNED BY

CHECKED BY



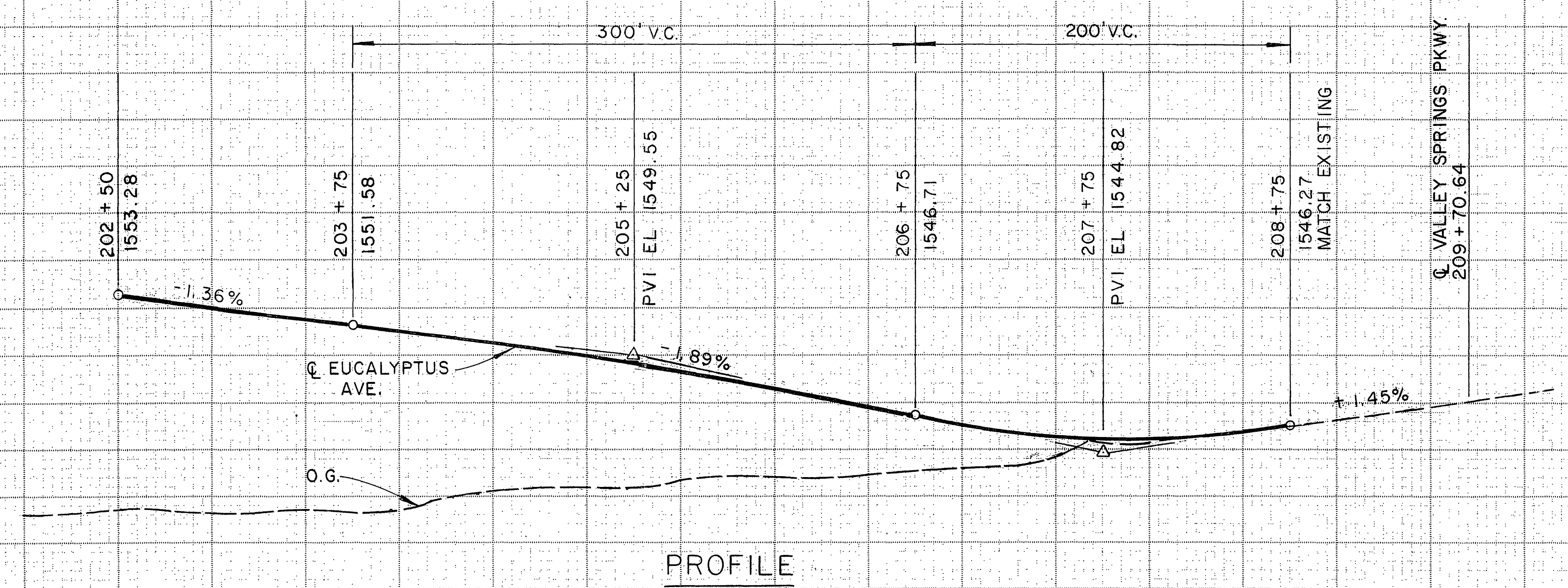
SUPERELEVATION DIAGRAM

**BENCH MARKS:**

55-A-69 SPRD NAIL IN LEAD IN RR CULVERT HEAD WALL 133' LT. Q EXIST. 547' 05.00 EL. = 1535.35

56-A-69 PIN IN R/W MON 100' LT. Q EXIST. 557' 35.00 EL. = 1533.91

SEA LEVEL DATUM OF 1929 AND THE FIRST ORDER RIVERSIDE COUNTY COOPERATIVE LEVELING OF 1970.

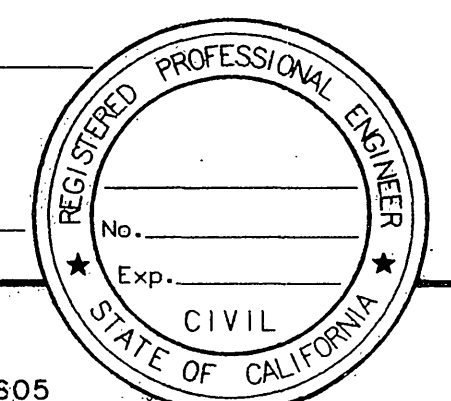


PROFILE  
 EUCALYPTUS AVENUE

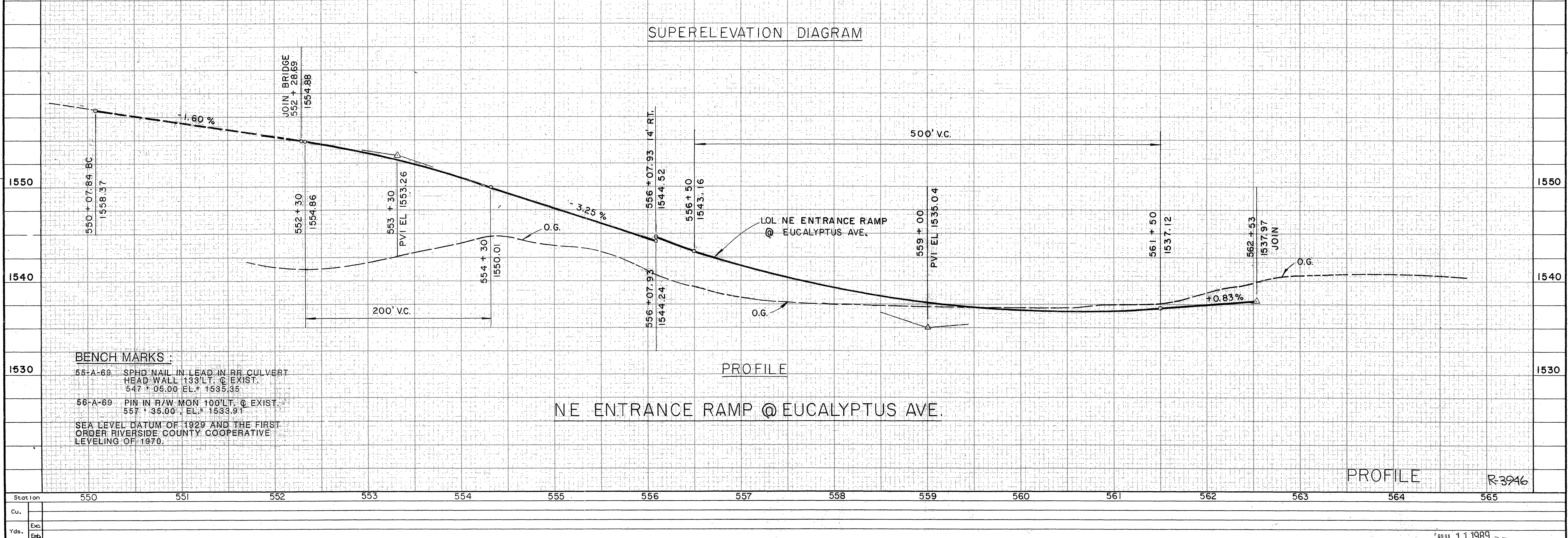
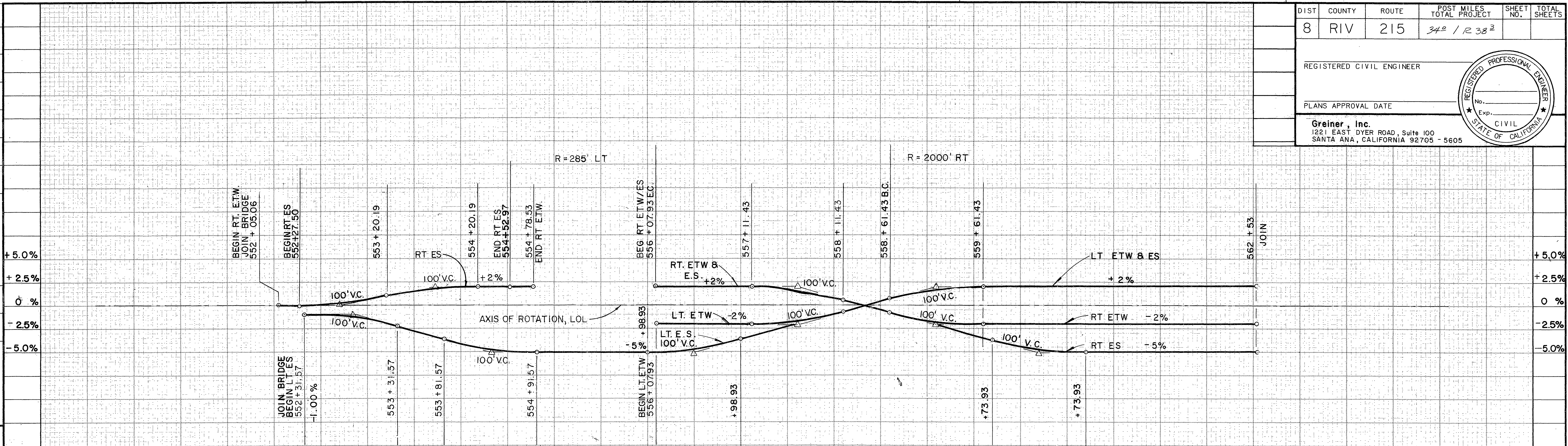
PROFILE  
 R-3946

Station	202	203	204	205	206	207	208	209	210
Cu.									
Yds.									

DIST	COUNTY	ROUTE	POST MILES TOTAL PROJECT	SHEET NO.	TOTAL SHEETS
8	RIV	215	34.0 / 12.38		
REGISTERED CIVIL ENGINEER					
PLANS APPROVAL DATE					
Greiner, Inc. 1221 EAST DYER ROAD, Suite 100 SANTA ANA, CALIFORNIA 92705 - 5605					



STATE OF CALIFORNIA - DEPARTMENT OF TRANSPORTATION  
 PROJECT ENGINEER  
 Greiner, Inc.



**BENCH MARKS:**

55-A-69 SPHD NAIL IN LEAD IN RR CULVERT HEAD WALL 133' LT. @ EXIST. 547 + 06.00 EL. = 1535.35

56-A-69 PIN IN R/W MON 100' LT. @ EXIST. 557 + 35.00 EL. = 1533.91

SEA LEVEL DATUM OF 1929 AND THE FIRST ORDER RIVERSIDE COUNTY COOPERATIVE LEVELING OF 1970.

Station	550	551	552	553	554	555	556	557	558	559	560	561	562	563	564	565
Cu.																
Yds.																
Exc.																
Emb.																

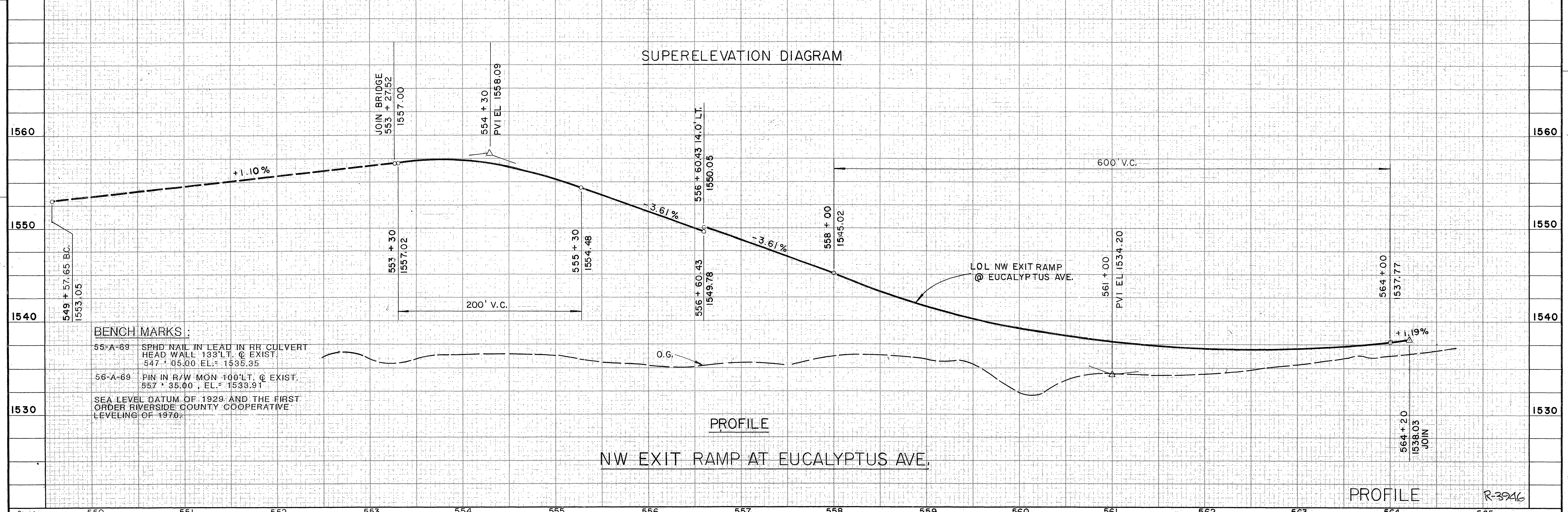
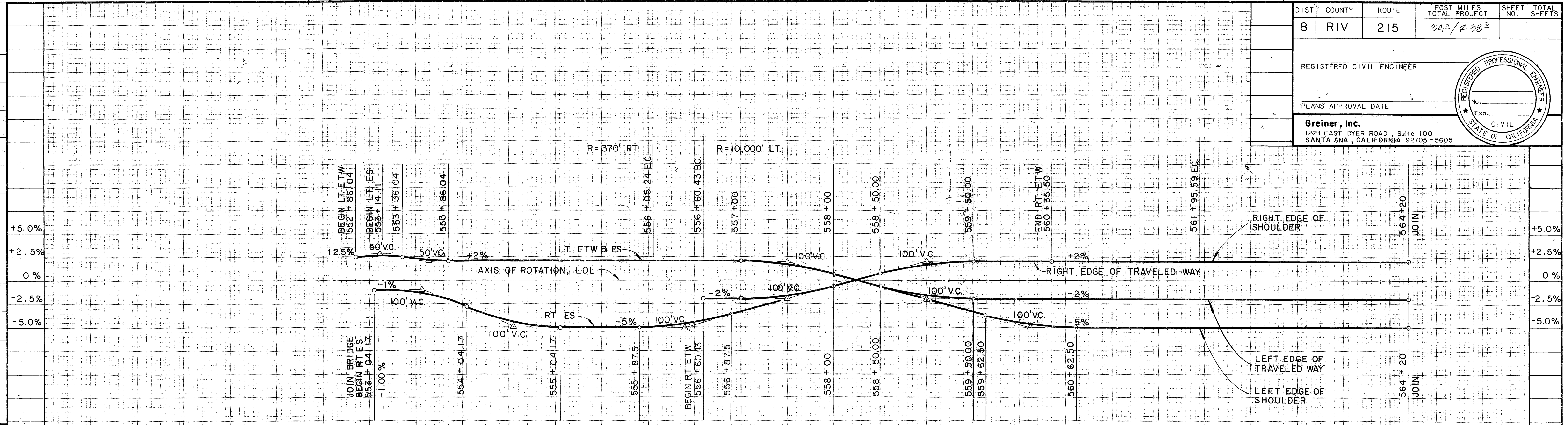
FOR REDUCED PLANS ORIGINAL SCALE IS 1 IN INCHES

JUL 11 1989 RECEIVED  
 JUL 16 1989  
 DEPT. OF PUBLIC WORKS

DIST	COUNTY	ROUTE	POST MILES TOTAL PROJECT	SHEET NO.	TOTAL SHEETS
8	RIV	215	24.2 / 238.2		
REGISTERED CIVIL ENGINEER					
PLANS APPROVAL DATE					
<b>Greiner, Inc.</b> 1221 EAST DYER ROAD, Suite 100 SANTA ANA, CALIFORNIA 92705-5605					



STATE OF CALIFORNIA - DEPARTMENT OF TRANSPORTATION  
 PROJECT ENGINEER  
 DATE  
 REVISIONS BY  
 DATE REVISIONS  
 CALCULATED/DESIGNED BY  
 CHECKED BY  
 DATE  
 REVISIONS BY  
 DATE REVISIONS  
 PROJECT ENGINEER  
 STATE OF CALIFORNIA - DEPARTMENT OF TRANSPORTATION  
 Caltrans



Station	550	551	552	553	554	555	556	557	558	559	560	561	562	563	564	565
Cu.																
Yds.																

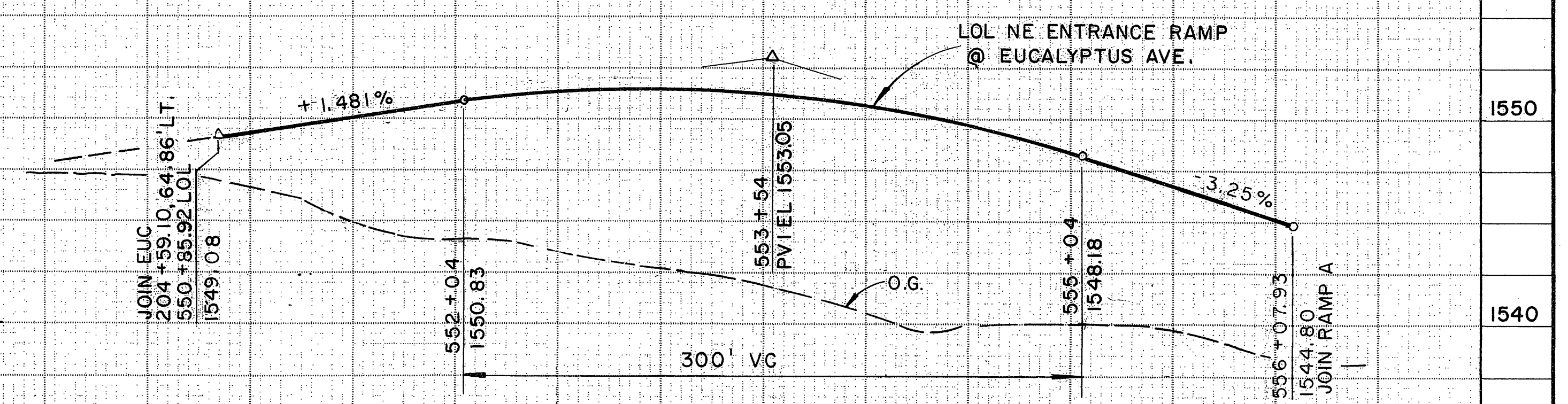
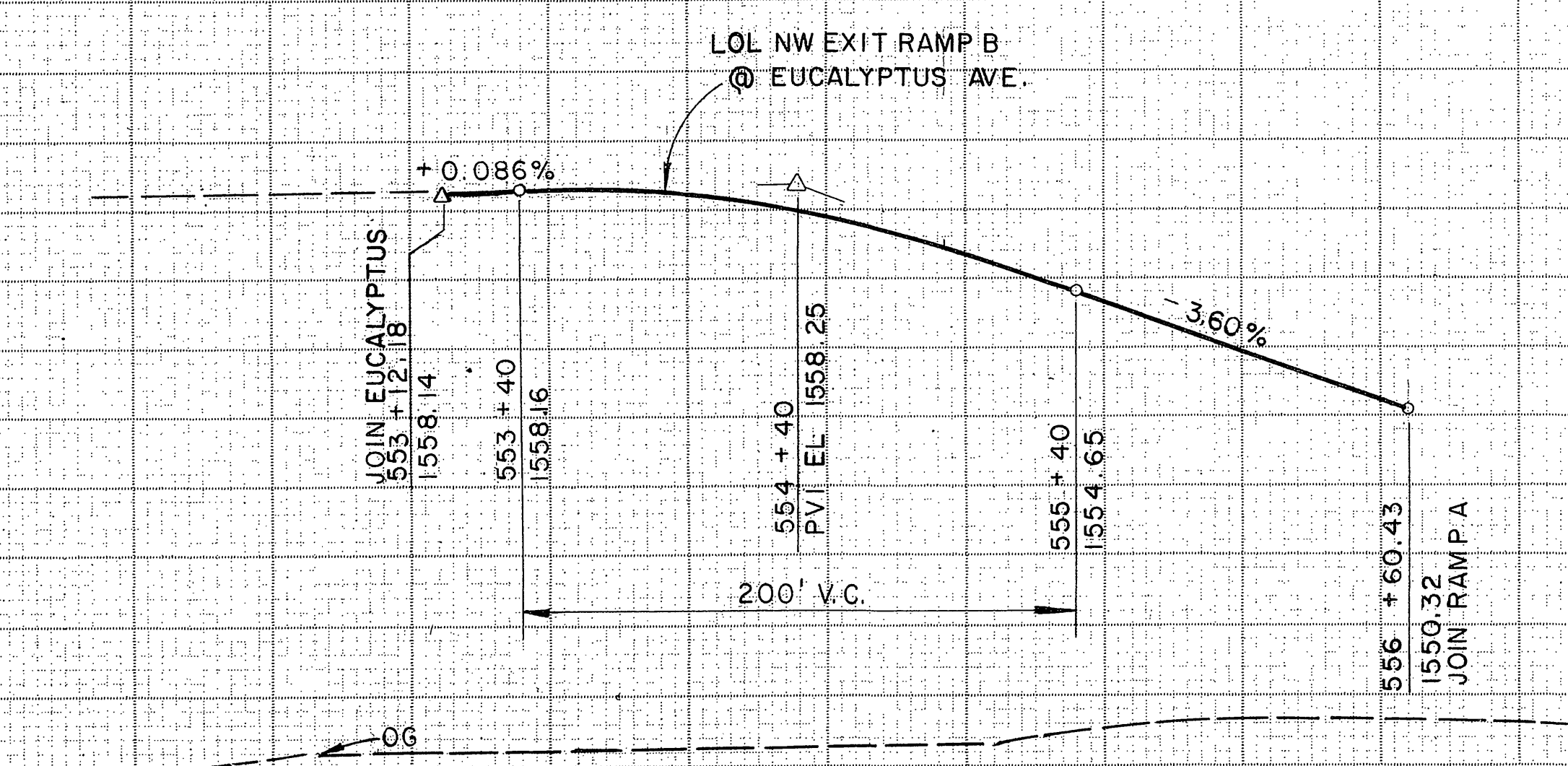
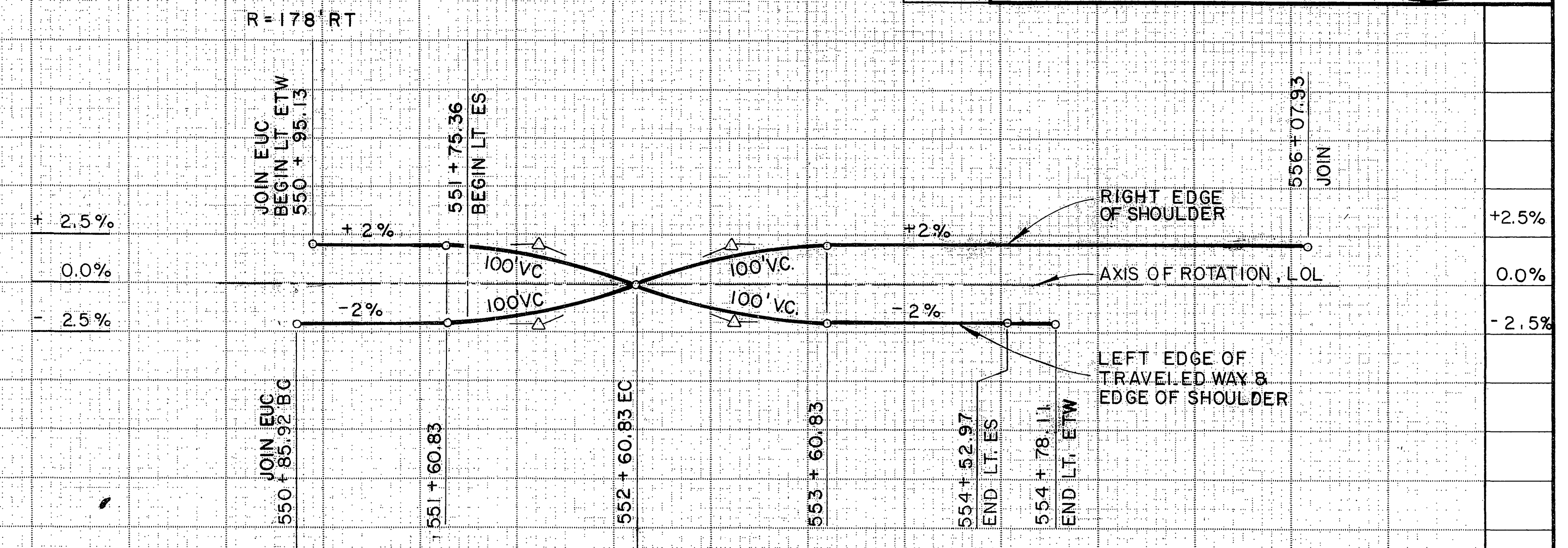
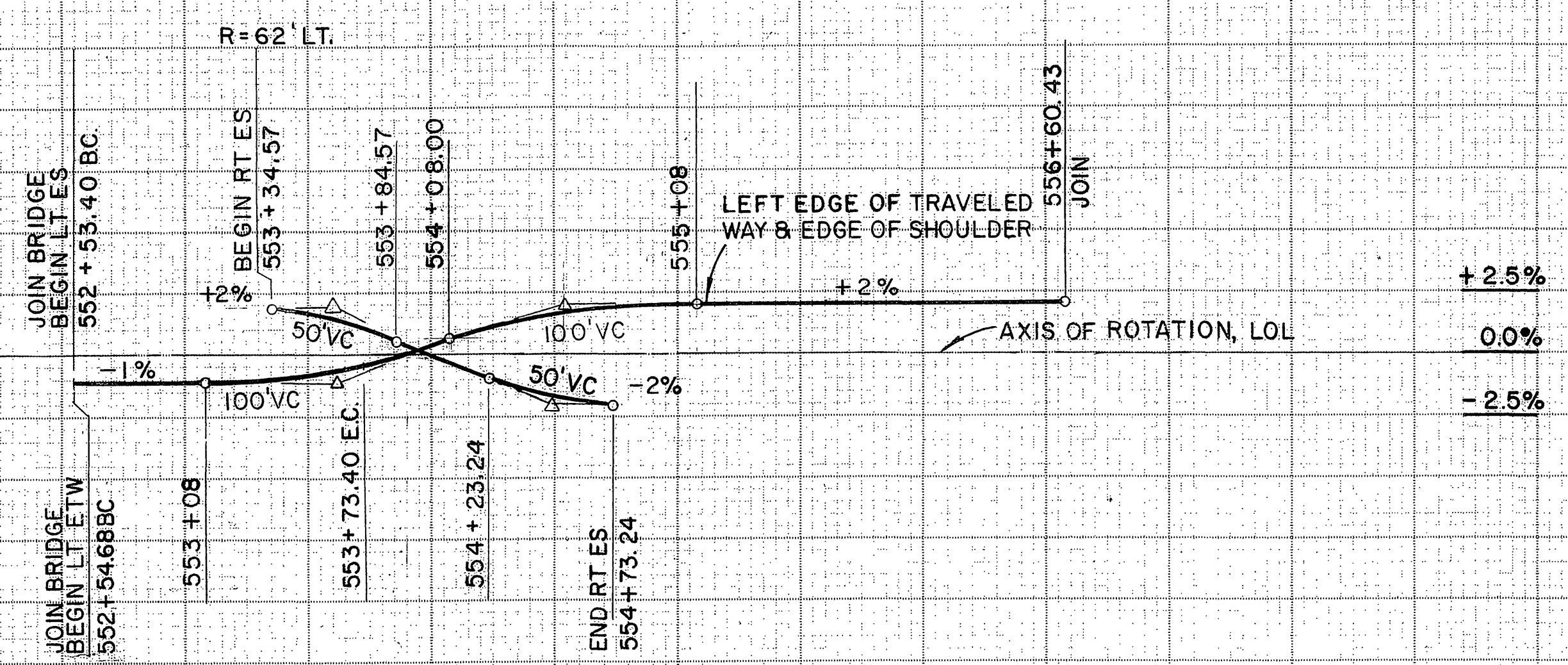
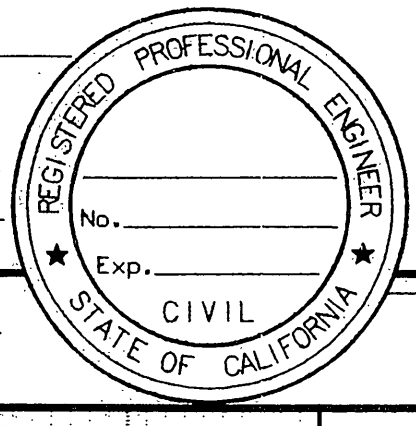
FOR REDUCED PLANS ORIGINAL SCALE IS IN INCHES

JUL 11 1999

RECEIVED



DIST	COUNTY	ROUTE	POST MILES TOTAL PROJECT	SHEET NO.	TOTAL SHEETS
8	RIV	215	342/383		
REGISTERED CIVIL ENGINEER					
PLANS APPROVAL DATE					
<b>Groiner, Inc.</b> 1221 EAST DYER ROAD, Suite 100 SANTA ANA, CALIFORNIA 92705-5605					



**BENCH MARKS:**

55-A-69 SPHD NAIL IN LEAD IN RR CULVERT HEAD WALL 133' LT. @ EXIST. 547' ± 05.00 EL = 1535.35

56-A-69 PIN IN R/W MON 100' LT. @ EXIST. 557' ± 35.00 EL = 1533.91

SEA LEVEL DATUM OF 1929 AND THE FIRST ORDER RIVERSIDE COUNTY COOPERATIVE LEVELING OF 1970.

STATE OF CALIFORNIA - DEPARTMENT OF TRANSPORTATION  
 PROJECT ENGINEER  
 CALCULATED/DESIGNED BY  
 CHECKED BY  
 DATE  
 REVISOR  
 DATE REVISOR  
 Cu.  
 Yds.  
 Exc.  
 Emb.

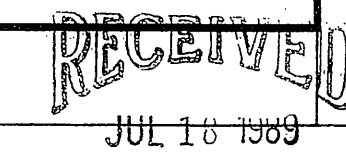


Station	552	553	554	555	556	557
Cu.						
Yds.						
Exc.						
Emb.						

FOR REDUCED PLANS ORIGINAL SCALE IS IN INCHES

JUL 11 1989

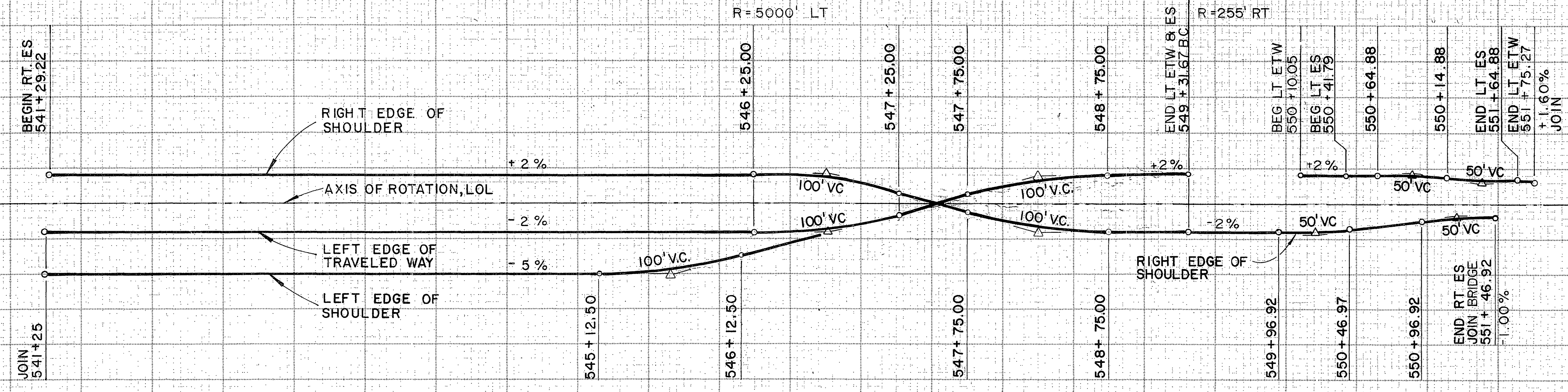
CU EA



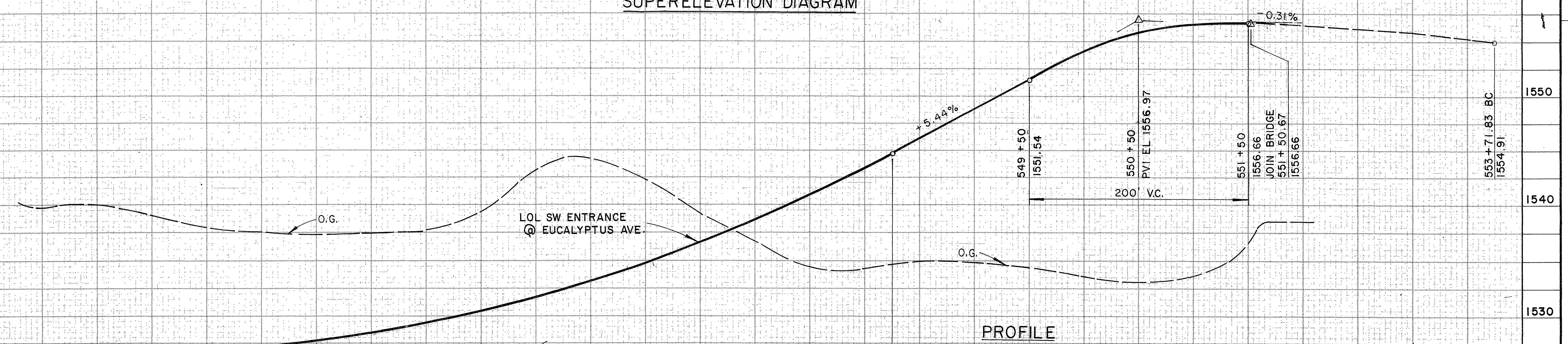
DIST	COUNTY	ROUTE	POST MILES TOTAL PROJECT	SHEET NO.	TOTAL SHEETS
8	RIV	215	340 / R383		
REGISTERED CIVIL ENGINEER					
PLANS APPROVAL DATE					
<b>Greiner, Inc.</b> 1221 EAST DYER ROAD, Suite 100 SANTA ANA, CALIFORNIA 92705-5605					



STATE OF CALIFORNIA - DEPARTMENT OF TRANSPORTATION  
 PROJECT ENGINEER  
 DATE  
 REVISED BY  
 DATE REVISED  
 CALCULATED/DESIGNED BY  
 CHECKED BY  
 PROJECT ENGINEER  
 STATE OF CALIFORNIA - DEPARTMENT OF TRANSPORTATION  
 St Colborn



SUPERELEVATION DIAGRAM



PROFILE

SW ENTRANCE RAMP @  
EUCALYPTUS AVE

PROFILE

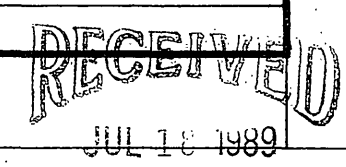
**BENCH MARKS**  
 55-A-69 SPHD NAIL IN LEAD IN RR CULVERT HEAD WALL 133' LT. Q EXIST. 547 + 06.00 EL. = 1535.35  
 56-A-69 PIN IN R/W MON 100' LT. Q EXIST. 557 + 35.00 EL. = 1533.91  
 SEA LEVEL DATUM OF 1929 AND THE FIRST ORDER RIVERSIDE COUNTY COOPERATIVE LEVELING OF 1970.

Station	540	541	542	543	544	545	546	547	548	549	550	551	552	553
Cu.														
Emb.														

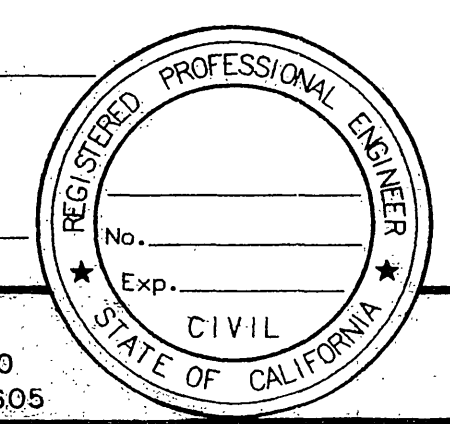
FOR REDUCED PLANS ORIGINAL SCALE IS IN INCHES



JUL 11 1989



DIST	COUNTY	ROUTE	POST MILES TOTAL PROJECT	SHEET NO.	TOTAL SHEETS
8	RIV	215	34 <sup>0</sup> / 38 <sup>3</sup>		
REGISTERED CIVIL ENGINEER					
PLANS APPROVAL DATE					
Greiner, Inc. 1221 EAST DYER ROAD, Suite 100 SANTA ANA, CALIFORNIA 92705-5605					

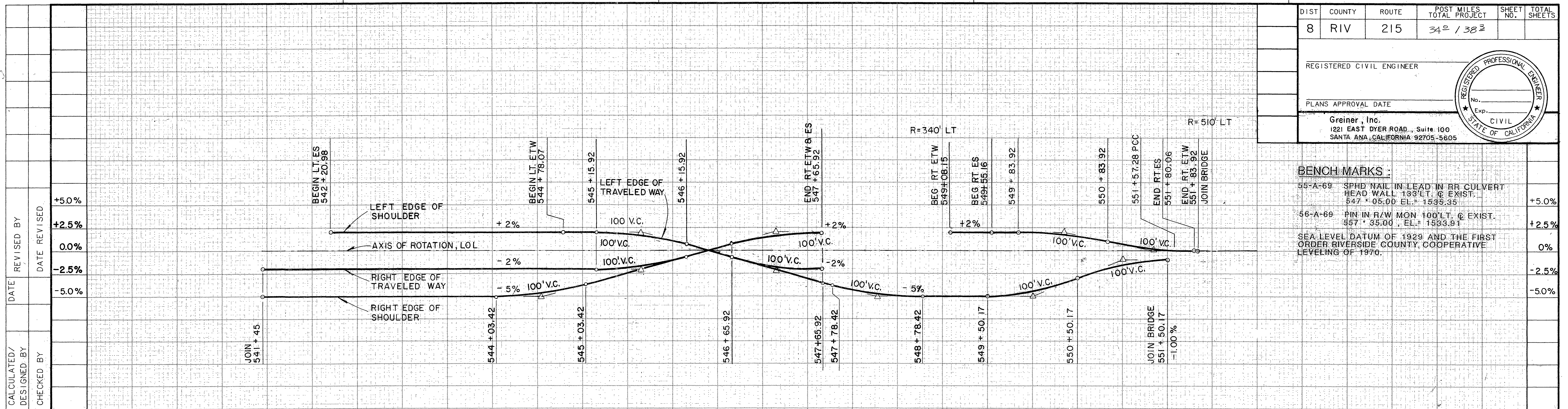


**BENCH MARKS:**

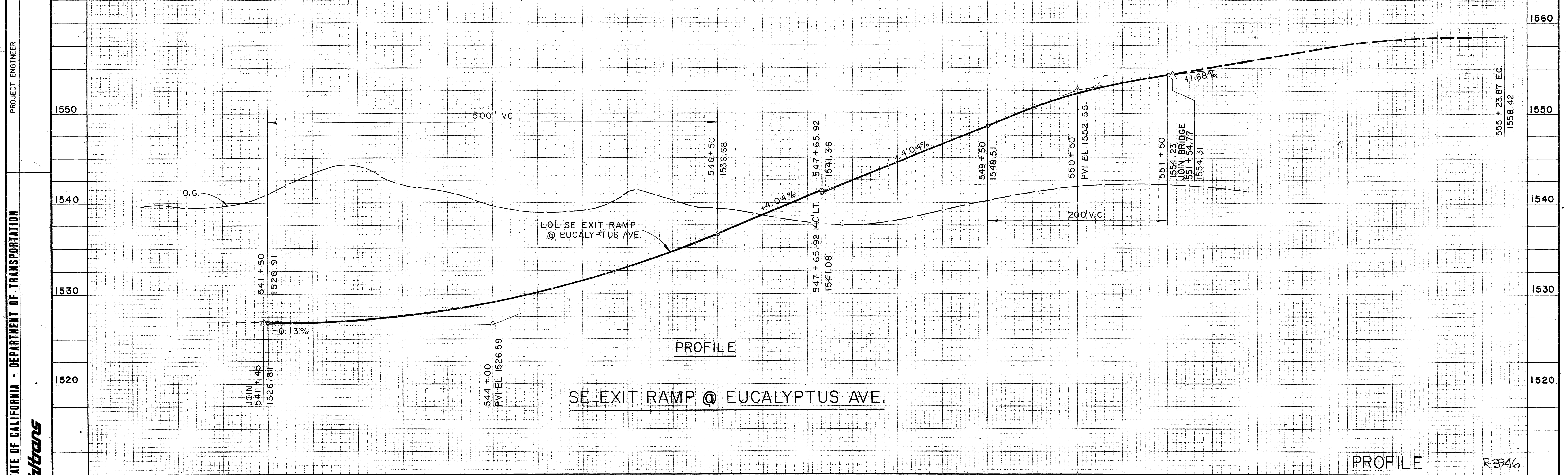
55-A-69 SPHD NAIL IN LEAD IN RR CULVERT HEAD WALL 133' LT. @ EXIST. 547 + 05.00 EL. = 1535.35 +5.0%

56-A-69 PIN IN R/W MON 100' LT. @ EXIST. 557 + 35.00 EL. = 1533.91 +2.5%

SEA LEVEL DATUM OF 1929 AND THE FIRST ORDER RIVERSIDE COUNTY COOPERATIVE LEVELING OF 1970. 0%



**SUPERELEVATION DIAGRAM**



**PROFILE**

**SE EXIT RAMP @ EUCALYPTUS AVE.**

**PROFILE R3946**

STATE OF CALIFORNIA - DEPARTMENT OF TRANSPORTATION  
**Caltrans**

PROJECT ENGINEER  
CALCULATED/DESIGNED BY  
CHECKED BY  
DATE REVISIED BY  
REVISIED BY

Station	540	541	542	543	544	545	546	547	548	549	550	551	552	553	554	555
Cu.																
Yds.																

FOR REDUCED PLANS ORIGINAL SCALE IS IN INCHES

CU EA RECEIVED JUL 18 1989 DEPT. OF PUBLIC WORKS

DIST	COUNTY	ROUTE	POST MILES TOTAL PROJECT	SHEET NO.	TOTAL SHEETS
8	RIV	215	34.2 / 273.2		

REGISTERED CIVIL ENGINEER

PLANS APPROVAL DATE

**Greiner, Inc.**  
1221 EAST DYER ROAD, Suite 100  
SANTA ANA, CALIFORNIA 92705-5605

STATE OF CALIFORNIA - DEPARTMENT OF TRANSPORTATION  
Caltrans

PROJECT ENGINEER

REVISIONS:

NO.	DATE	REVISION

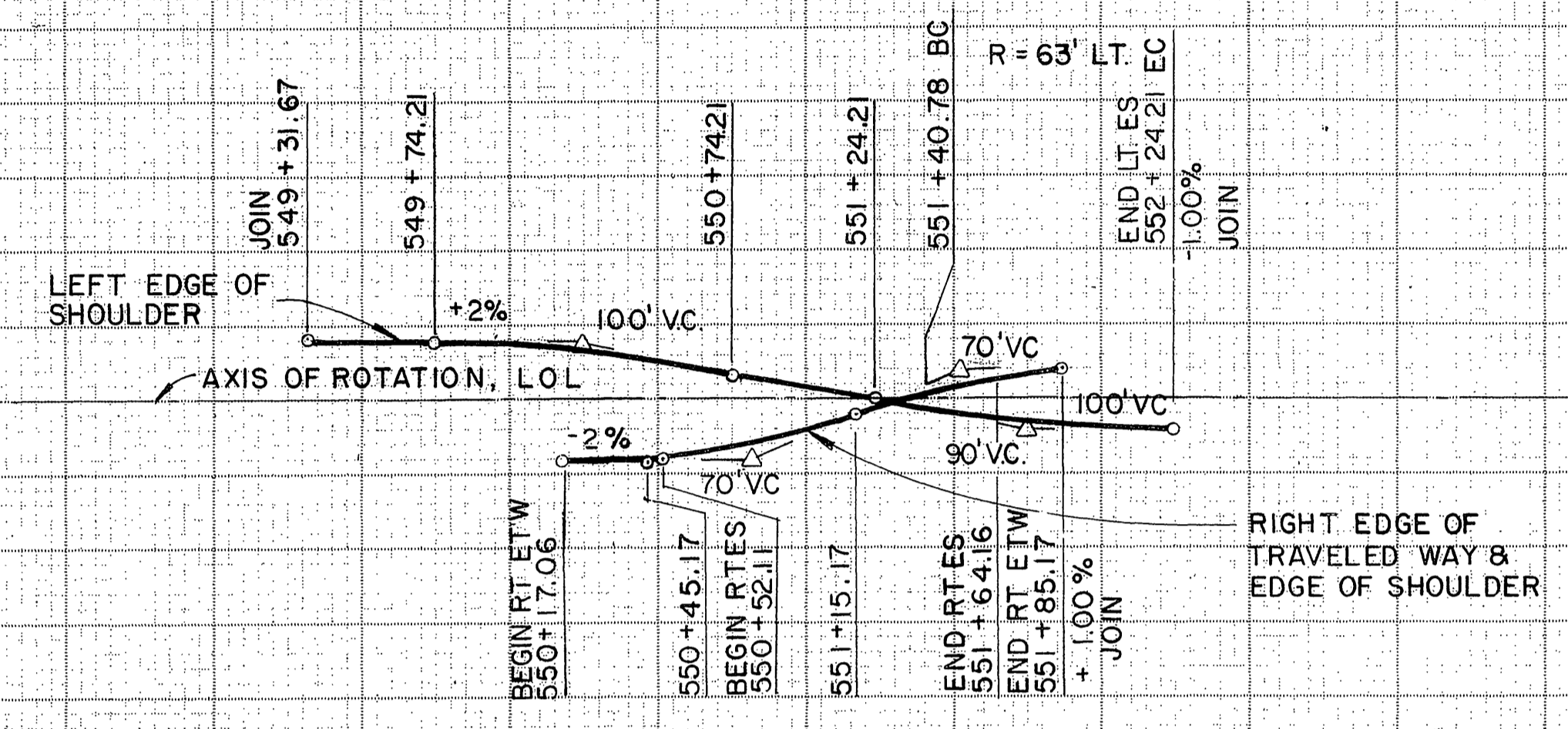
CALCULATED/DESIGNED BY

CHECKED BY

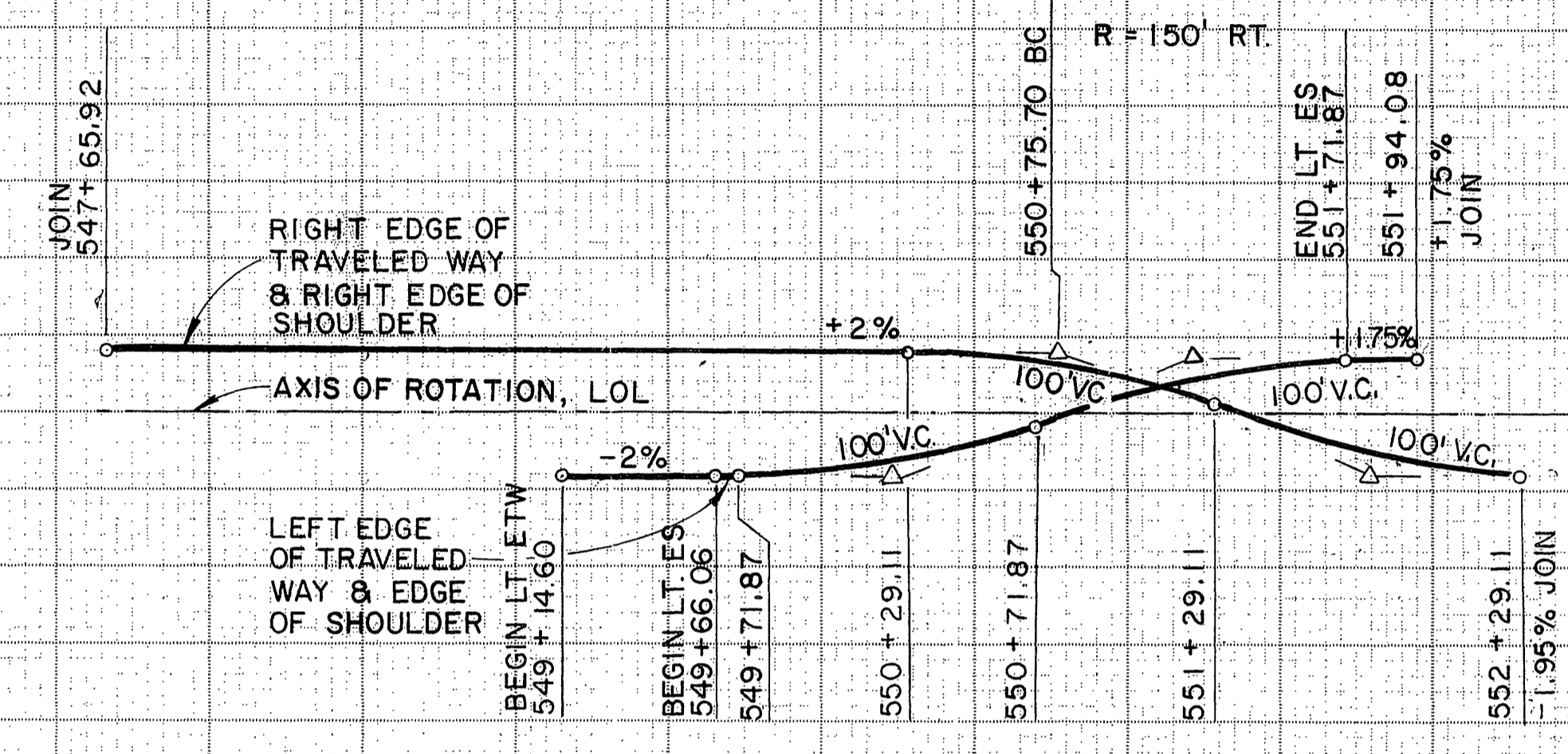
DATE

REVISOR

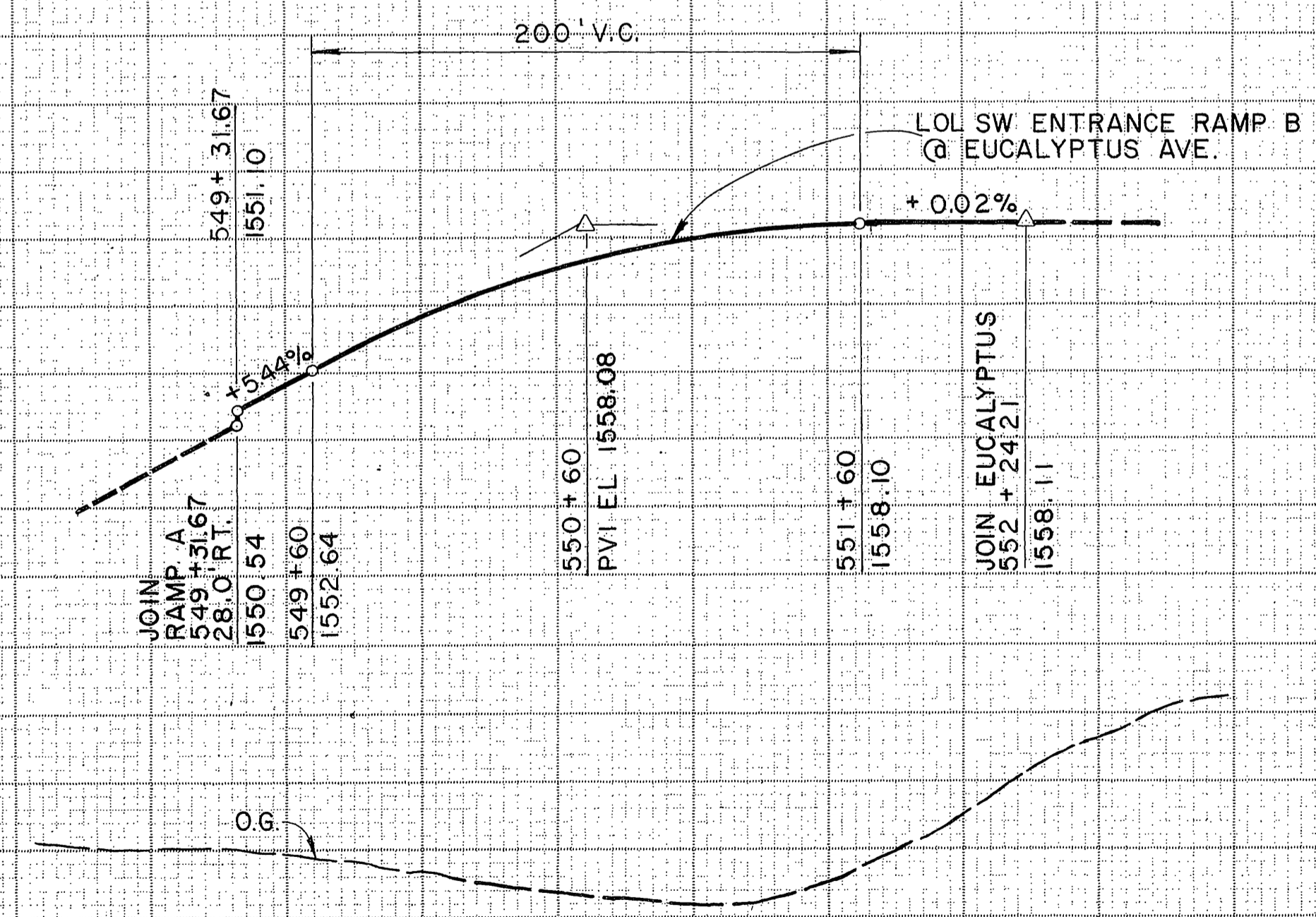
DATE REVISOR



SUPERELEVATION DIAGRAM

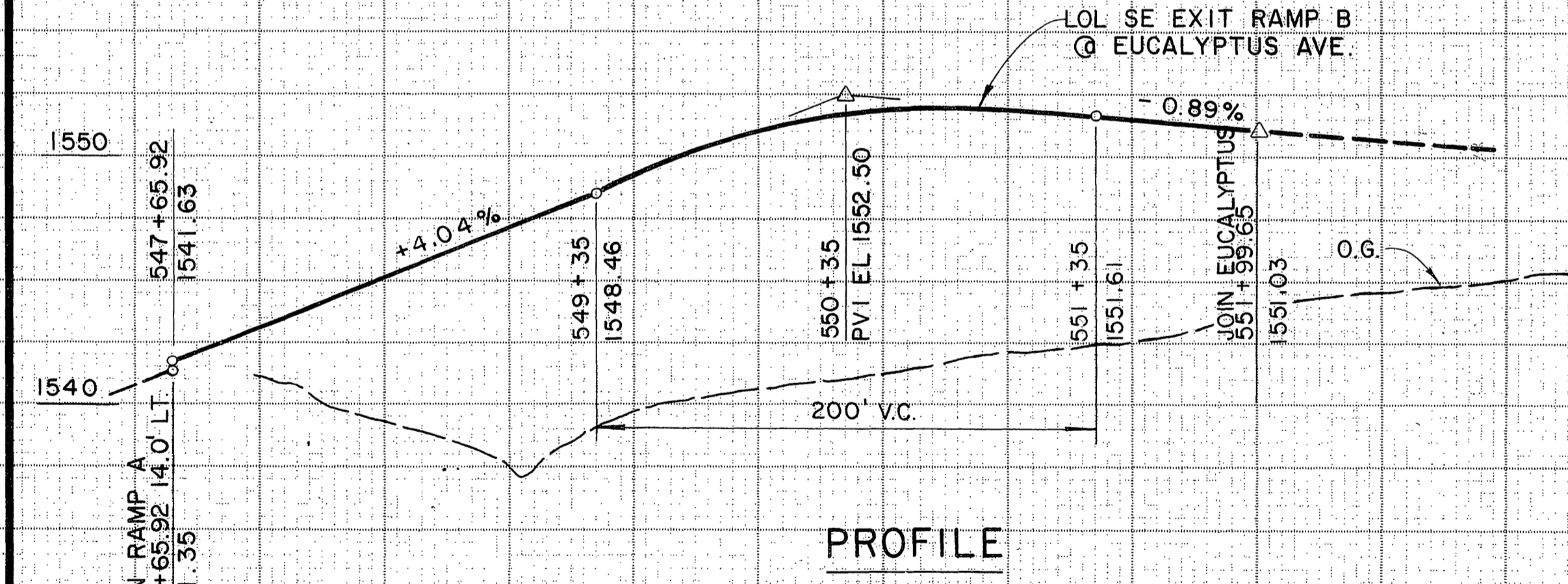


SUPERELEVATION DIAGRAM



PROFILE

SW ENTRANCE RAMP B @ EUCALYPTUS AVE.



PROFILE

SE EXIT RAMP B @ EUCALYPTUS AVE.

**BENCH MARKS:**

55-A-69 SPHD NAIL IN LEAD IN RR CULVERT HEAD WALL 133' LT. @ EXIST. 547+05.00 EL. = 1535.33

56-A-69 PIN IN R/W MON 100' LT. @ EXIST. 557+35.00 EL. = 1533.91

SEA LEVEL DATUM OF 1929 AND THE FIRST ORDER RIVERSIDE COUNTY COOPERATIVE LEVELING OF 1970.

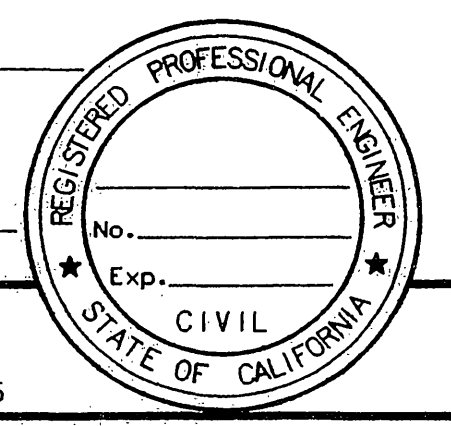
Station	549	550	551	552	553
Cu.					
Exc.					
Emb.					

FOR REDUCED PLANS ORIGINAL SCALE IS IN INCHES

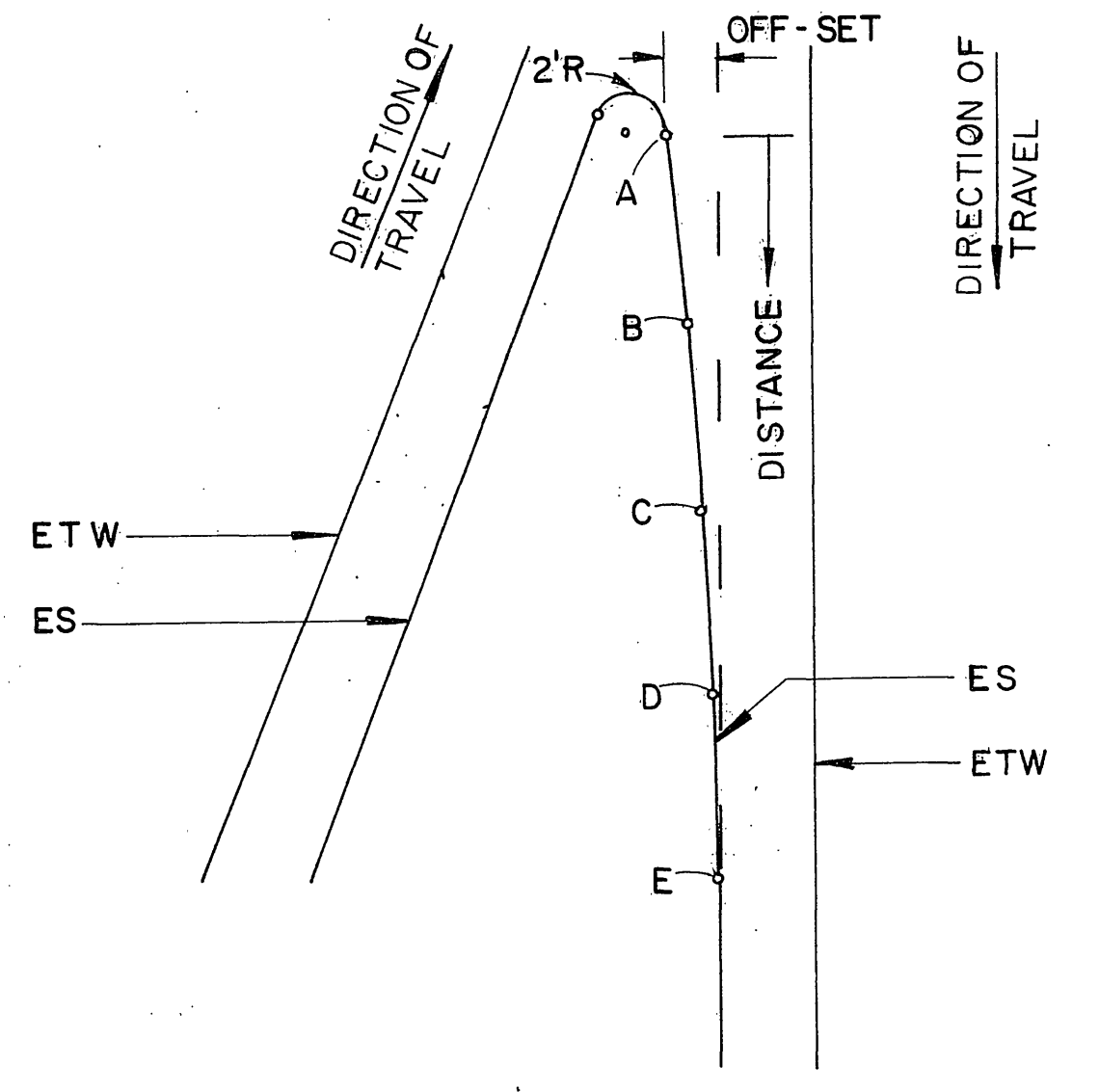
JUL 11 1989

RECEIVED  
JUL 11 1989

DIST	COUNTY	ROUTE	POST MILES TOTAL PROJECT	SHEET NO.	TOTAL SHEETS
8	RIV.	215	34/R383		
REGISTERED CIVIL ENGINEER					
PLANS APPROVAL DATE					
<b>Greiner, Inc.</b> 1221 EAST DYER ROAD, Suite 100 SANTA ANA, CALIFORNIA 92705-5605					

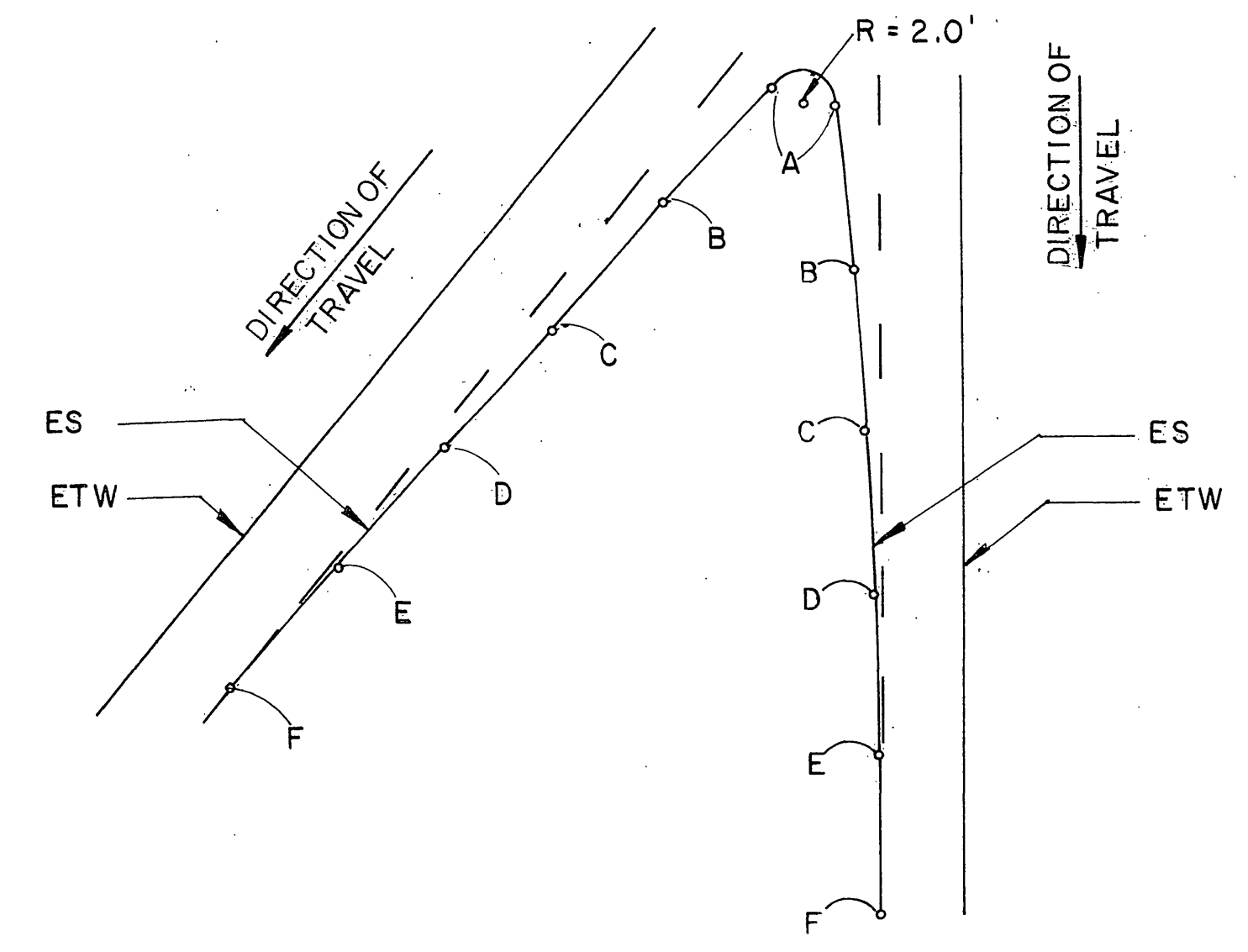


OFFSET	A	B	C	D	E	F
	3.00'	1.92'	1.08'	0.48'	0.12'	0.00'
DISTANCE	0.00'	10.00'	20.00'	30.00'	40.00'	50.00'

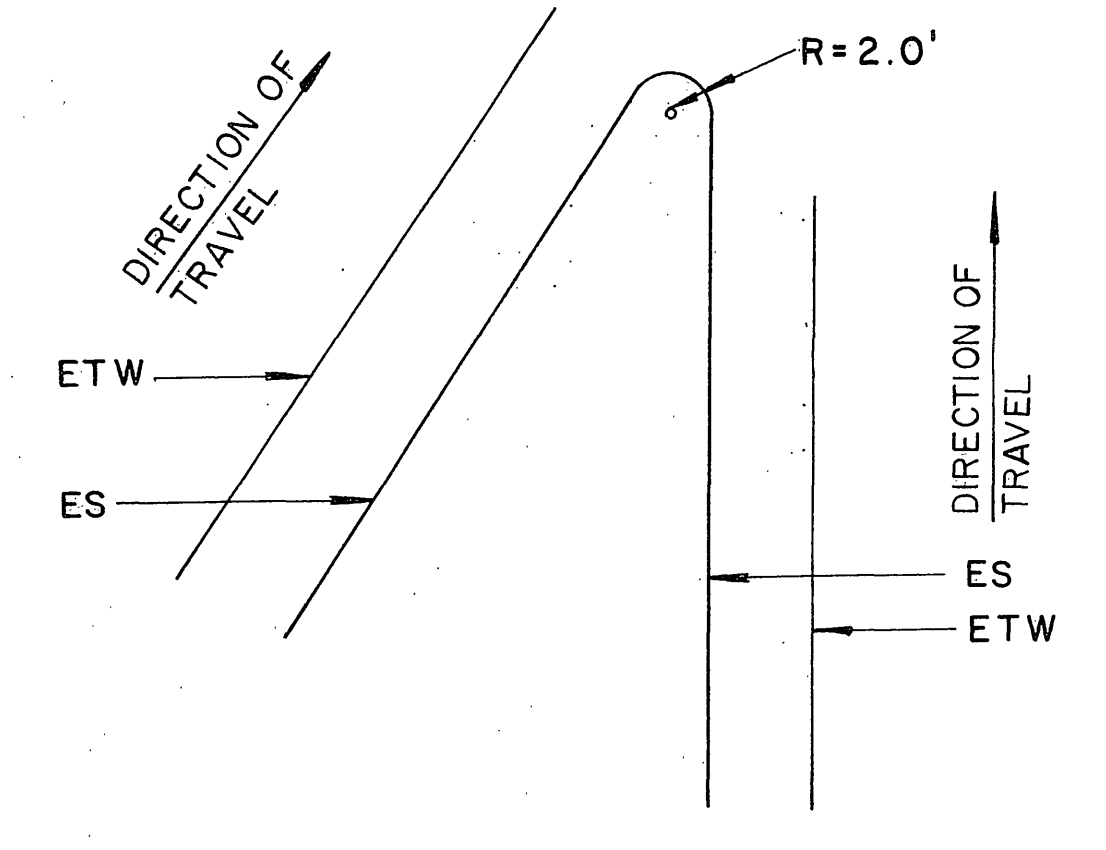


TYPICAL PARABOLIC OFFSET DETAIL  
ONE SIDE  
SCALE: 1" = 10' ±

OFFSET	A	B	C	D	E	F
	3.00'	1.92'	1.08'	0.48'	0.12'	0.00'
DISTANCE	0.00'	10.00'	20'	30'	40'	50'



TYPICAL PARABOLIC OFF-SET DETAILS  
TWO SIDES



TYPICAL NOSE DETAIL  
SCALE: 1" = 10'

STATE OF CALIFORNIA - DEPARTMENT OF TRANSPORTATION  
**St Colborn**

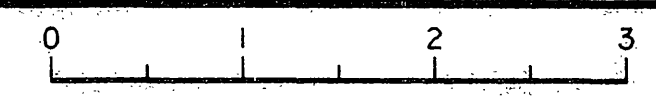
PROJECT ENGINEER  
CALCULATED/DESIGNED BY  
CHECKED BY  
DATE  
REVISED BY  
DATE REVISED

CONSTRUCTION DETAILS  
SCALE AS SHOWN

JUL 11 1989 R-3946

RECEIVED  
JUL 18 1989

FOR REDUCED PLANS ORIGINAL SCALE IS 1" IN INCHES



CU EA

DEPT. OF PUBLIC WORKS

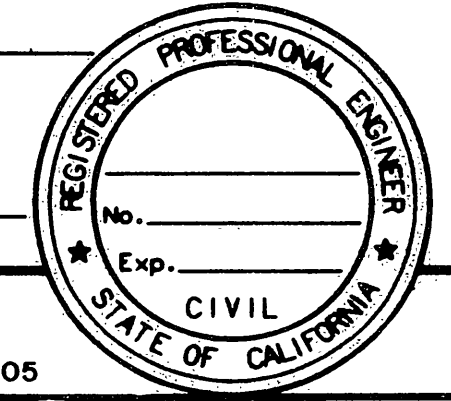
INDEXED 6-21-06 4H

DIST	COUNTY	ROUTE	POST MILES TOTAL PROJECT	SHEET NO.	TOTAL SHEETS
8	RIV	215	742/2332		

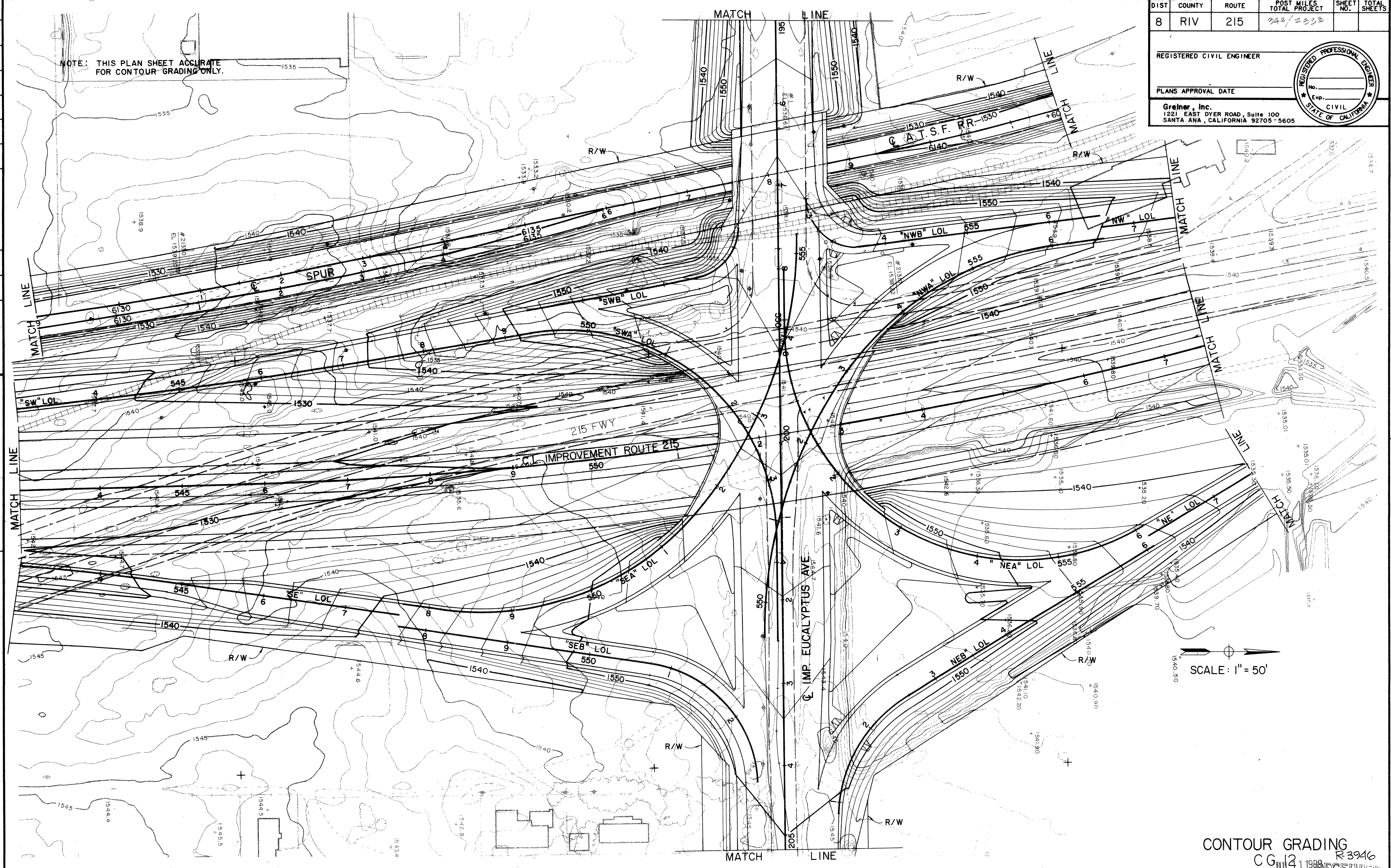
REGISTERED CIVIL ENGINEER

PLANS APPROVAL DATE

Greiner, Inc.  
1221 EAST DYER ROAD, Suite 100  
SANTA ANA, CALIFORNIA 92705-5605



NOTE: THIS PLAN SHEET ACCURATE FOR CONTOUR GRADING ONLY.



SCALE: 1" = 50'

PROJECT ENGINEER	CALCULATED/DESIGNED BY	DATE	REVISOR	DATE
STATE OF CALIFORNIA - DEPARTMENT OF TRANSPORTATION	CHECKED BY			
<b>Colburn</b>				

FOR REDUCED PLANS ORIGINAL SCALE IS IN INCHES

CONTOUR GRADING  
CG 121988 R 3946  
JUL 1 1988  
RECEIVED  
EA JUL 14 1988

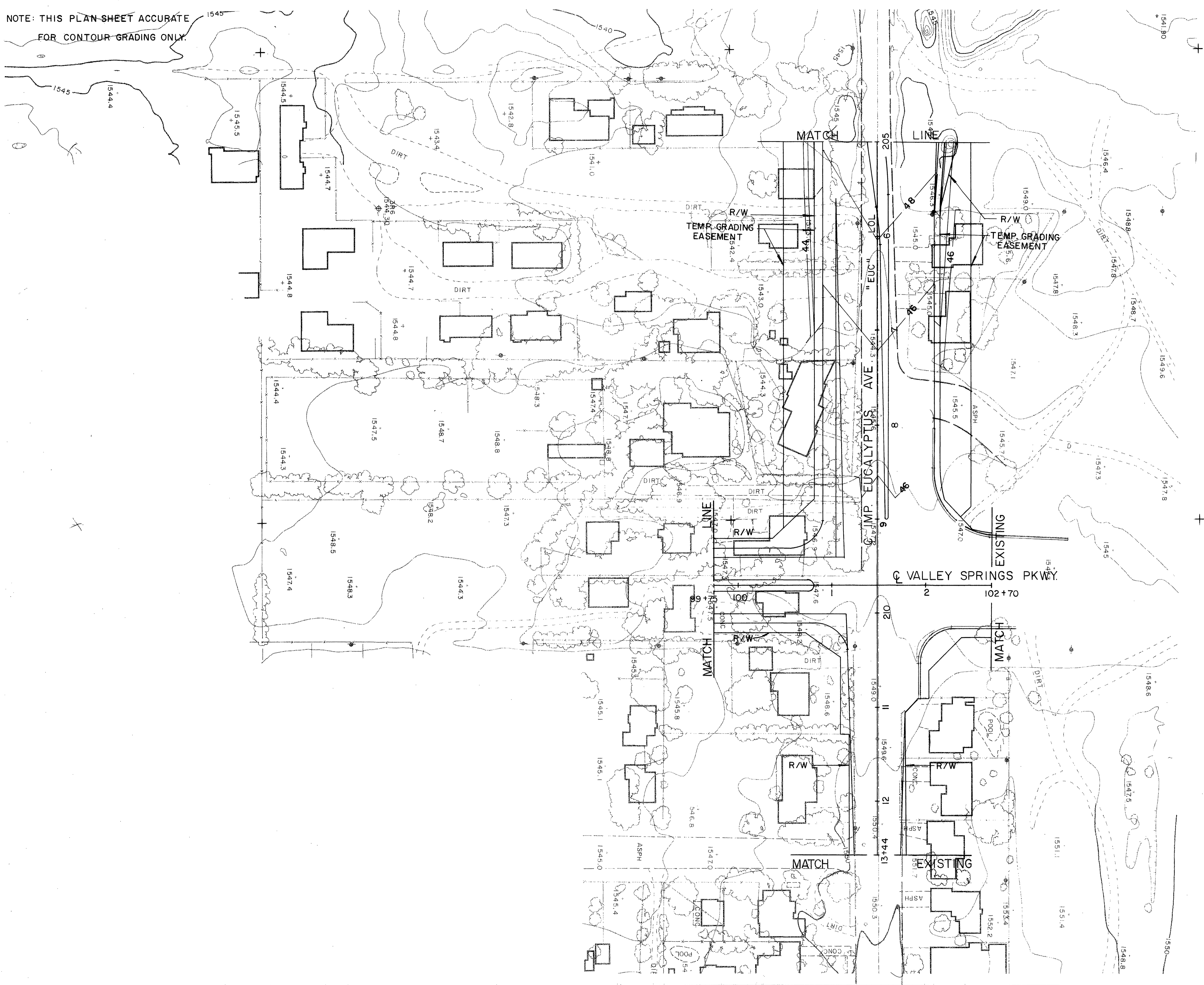
CU EA

STATE OF CALIFORNIA - DEPARTMENT OF TRANSPORTATION  
**Coltans**

PROJECT ENGINEER  
 CALCULATED/DESIGNED BY  
 CHECKED BY

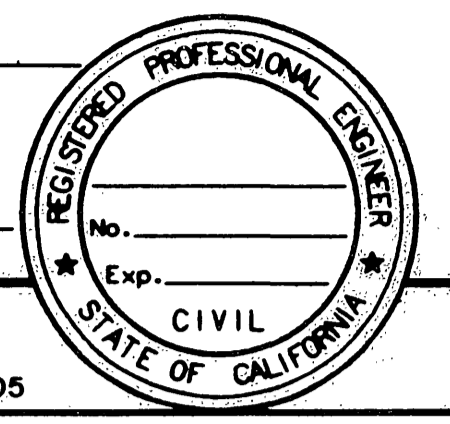
DATE  
 REVISED BY  
 DATE REVISED

NOTE: THIS PLAN SHEET ACCURATE FOR CONTOUR GRADING ONLY.



DIST	COUNTY	ROUTE	POST MILES TOTAL PROJECT	SHEET NO.	TOTAL SHEETS
8	RIV	215	342 128 3		

REGISTERED CIVIL ENGINEER  
 PLANS APPROVAL DATE  
 Greiner, Inc.  
 1221 EAST DYER ROAD, Suite 100  
 SANTA ANA, CALIFORNIA 92705-5605



SCALE 1" = 50'

CONTOUR GRADING  
 JUL 11 1989 R-3946

FOR REDUCED PLANS ORIGINAL SCALE IS IN INCHES

CU EA RECEIVED JUL 16 1989

DEPT. OF PUBLIC WORKS

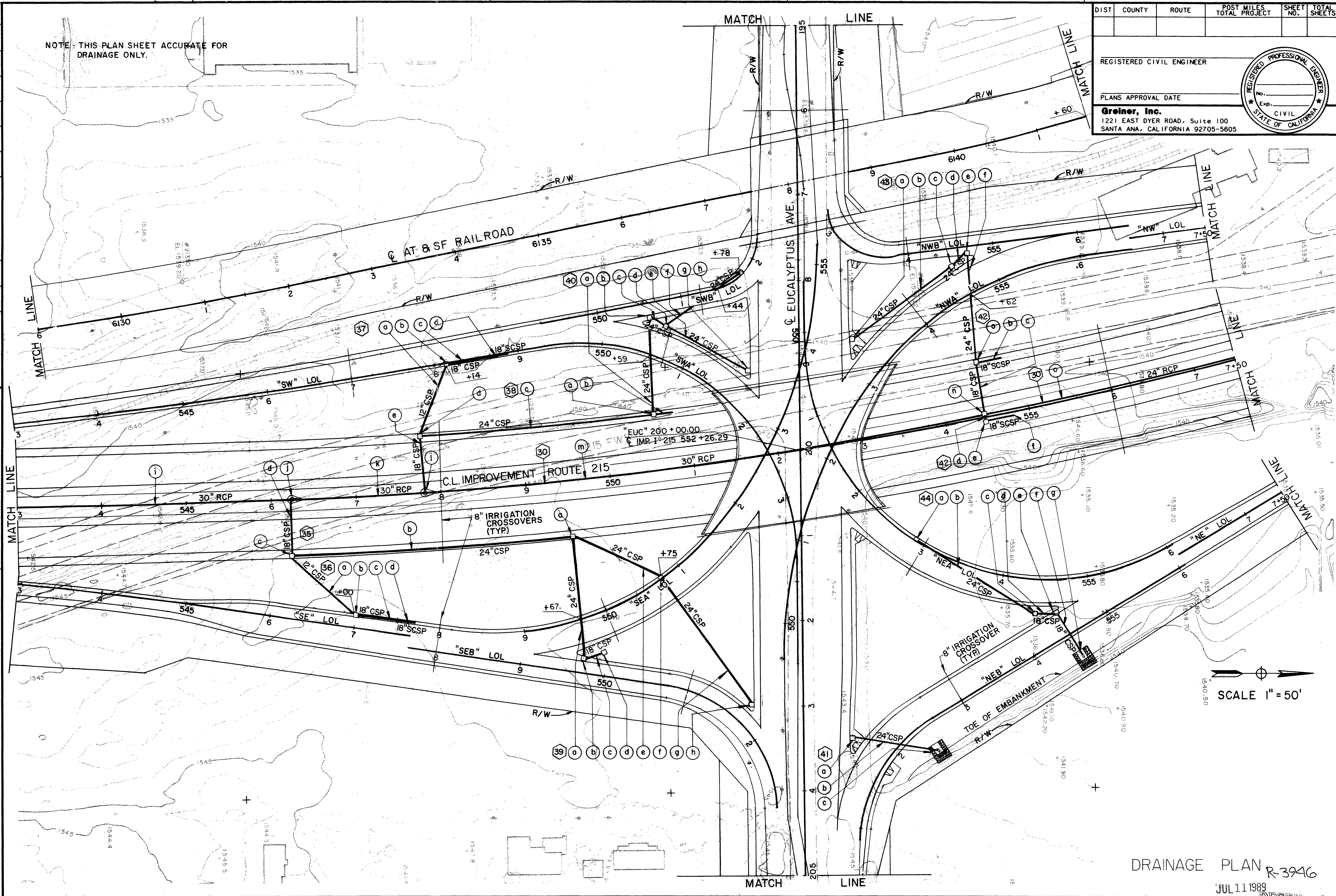
INDEXED 6-21-06 ffl

DIST	COUNTY	ROUTE	POST MILES TOTAL PROJECT	SHEET NO.	TOTAL SHEETS
REGISTERED CIVIL ENGINEER					
PLANS APPROVAL DATE					
<b>Groiner, Inc.</b> 1221 EAST DYER ROAD, Suite 100 SANTA ANA, CALIFORNIA 92705-5605					



NOTE: THIS PLAN SHEET ACCURATE FOR DRAINAGE ONLY.

STATE OF CALIFORNIA - DEPARTMENT OF TRANSPORTATION	PROJECT ENGINEER	CALCULATED/DESIGNED BY	DATE	REVISOR	DATE
<b>Colborn</b>		CHECKED BY			



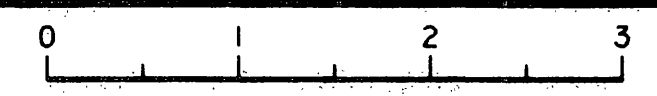
SCALE 1" = 50'

DRAINAGE PLAN R-3946

JUL 11 1989

CMF033>SA-1>J9162567>CADD>SCANEW.FGB Wnd: SCANEW 06-DEC-88 14:39

FOR REDUCED PLANS ORIGINAL SCALE IS IN INCHES

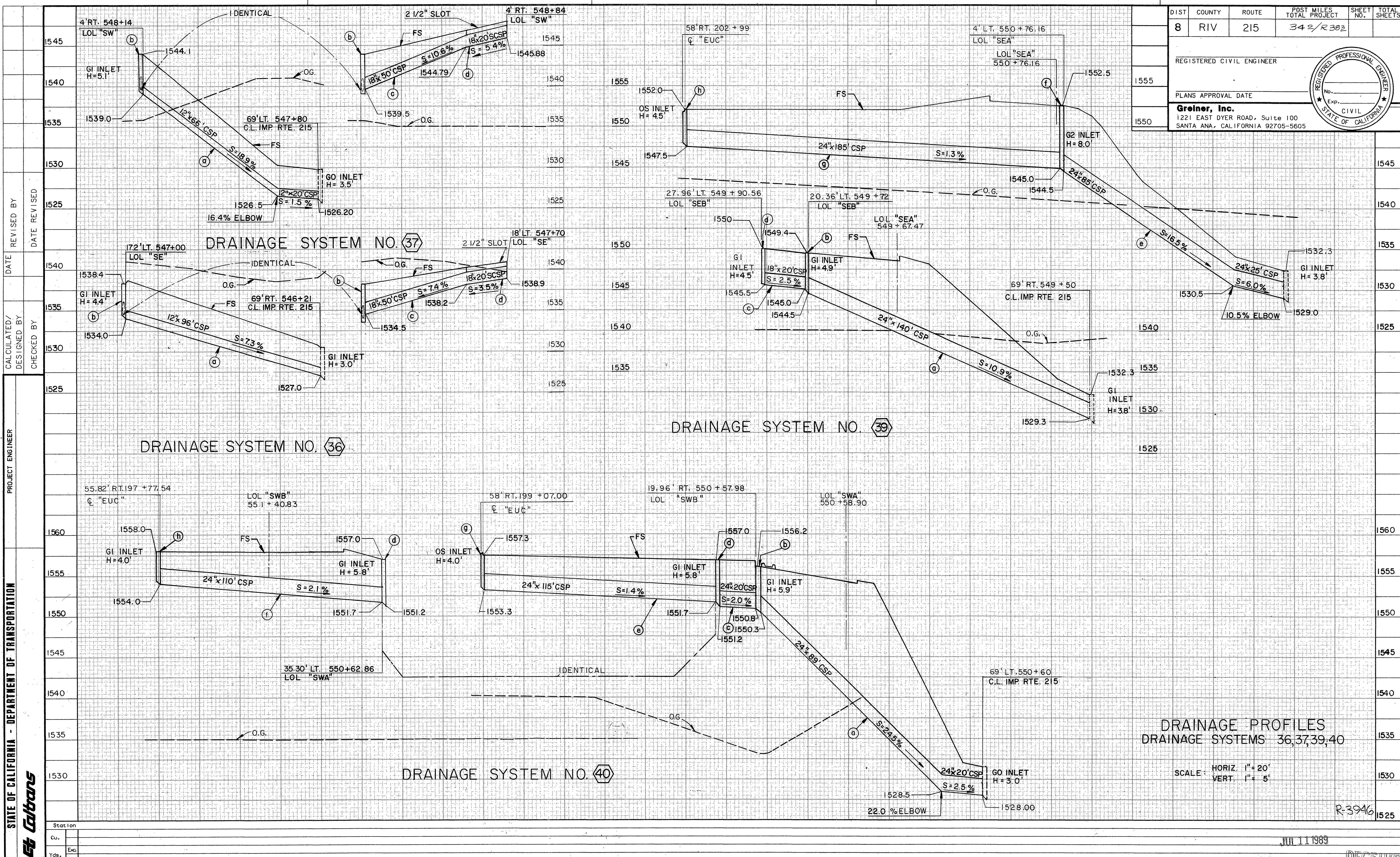


CU EA

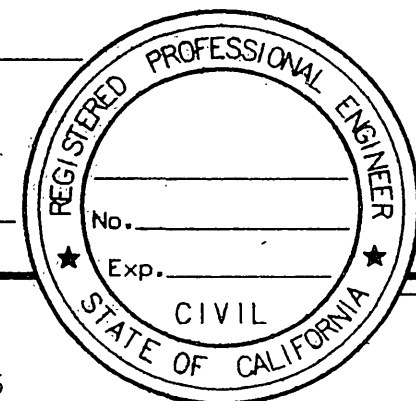
DEPT. OF PUBLIC WORKS

INDEXED 6-21-06 LHM





DIST	COUNTY	ROUTE	POST MILES TOTAL PROJECT	SHEET NO.	TOTAL SHEETS
8	RIV	215	34 2/R 382		
REGISTERED CIVIL ENGINEER					
PLANS APPROVAL DATE					
<b>Greiner, Inc.</b> 1221 EAST DYER ROAD, Suite 100 SANTA ANA, CALIFORNIA 92705-5605					



PROJECT ENGINEER  
 CALCULATED/DESIGNED BY  
 CHECKED BY  
 DATE  
 REVISOR  
 DATE REVISOR

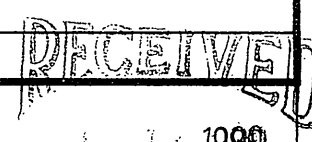
STATE OF CALIFORNIA - DEPARTMENT OF TRANSPORTATION  
**Caltrans**

**DRAINAGE PROFILES**  
**DRAINAGE SYSTEMS 36,37,39,40**

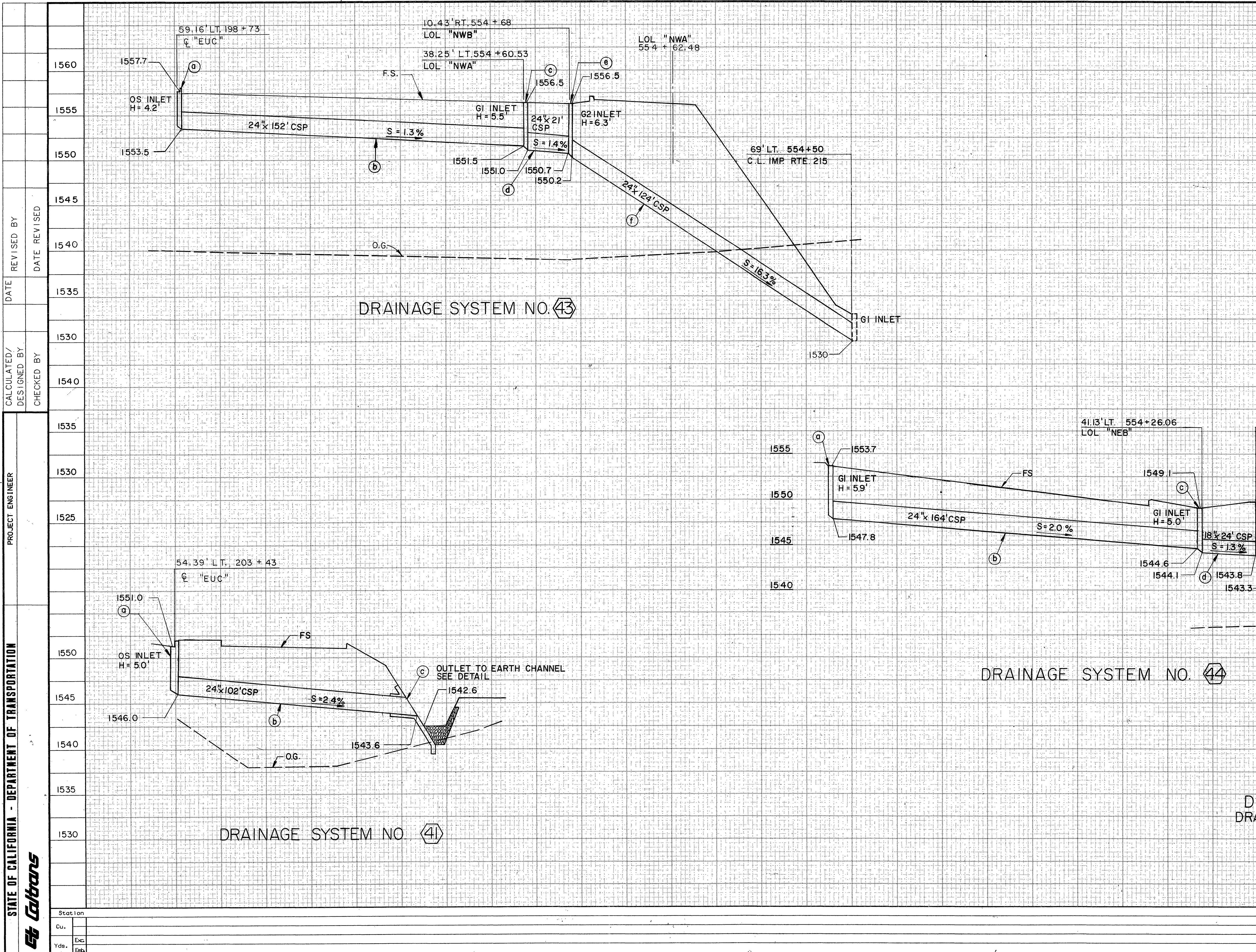
SCALE: HORIZ. 1" = 20'  
 VERT. 1" = 5'

R-3946

JUL 11 1989



FOR REDUCED PLANS ORIGINAL SCALE IS IN INCHES



DIST	COUNTY	ROUTE	POST MILES TOTAL PROJECT	SHEET NO.	TOTAL SHEETS
8	RIV	215	342/R33		

REGISTERED CIVIL ENGINEER

PLANS APPROVAL DATE

**Greiner, Inc.**  
1221 EAST DYER ROAD, Suite 100  
SANTA ANA, CALIFORNIA 92705-5605

REGISTERED PROFESSIONAL ENGINEER  
No. \_\_\_\_\_  
Exp. \_\_\_\_\_  
CIVIL  
STATE OF CALIFORNIA

STATE OF CALIFORNIA - DEPARTMENT OF TRANSPORTATION  
**Caltrans**

DATE	REVISED BY	DATE	REVISED BY

CALCULATED/DESIGNED BY	CHECKED BY

PROJECT ENGINEER

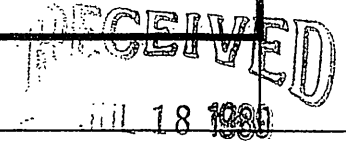
**DRAINAGE PROFILES**  
**DRAINAGE SYSTEMS 41,43,44**

SCALE: HORIZ. 1" = 20'  
VERT. 1" = 5'

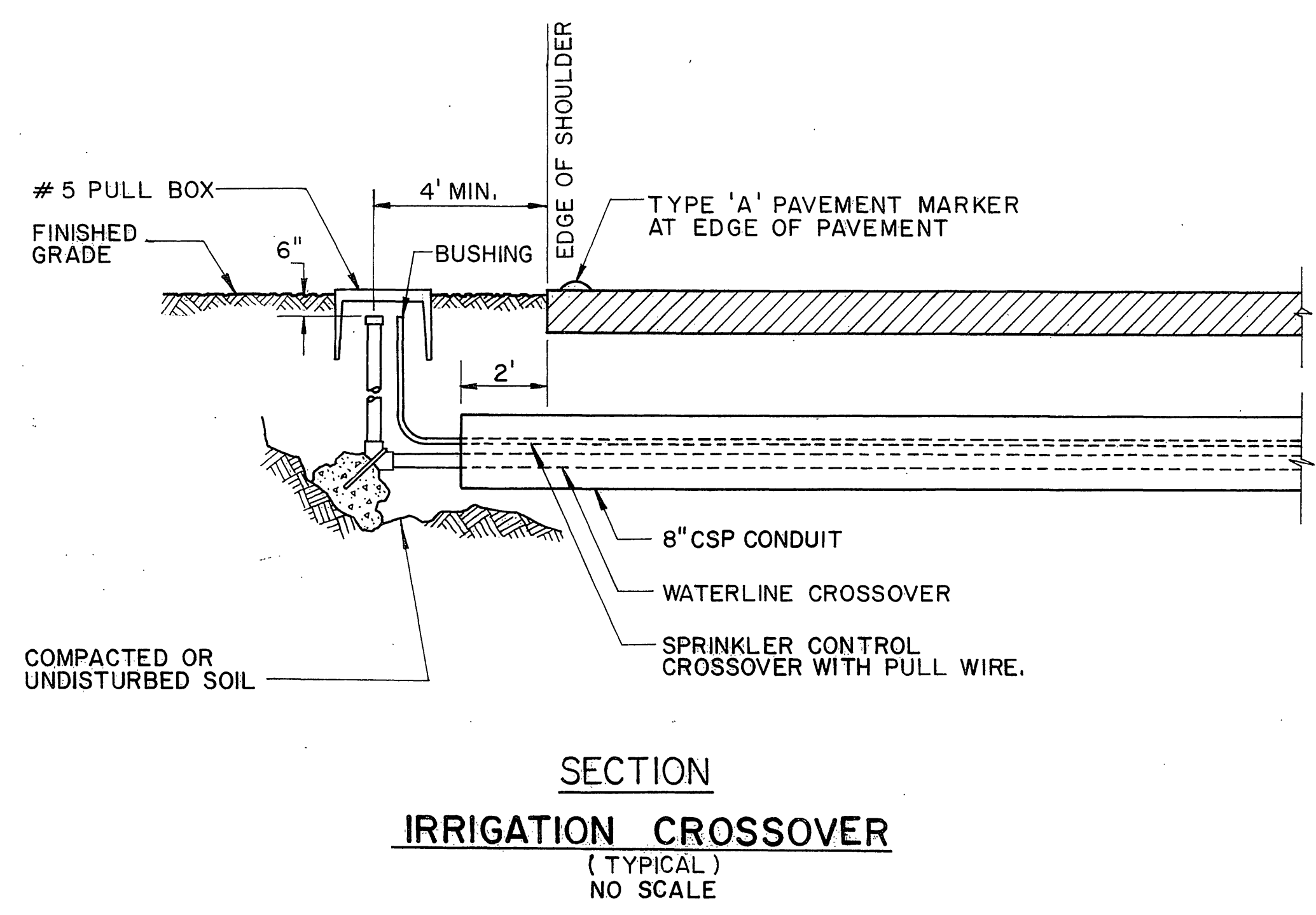
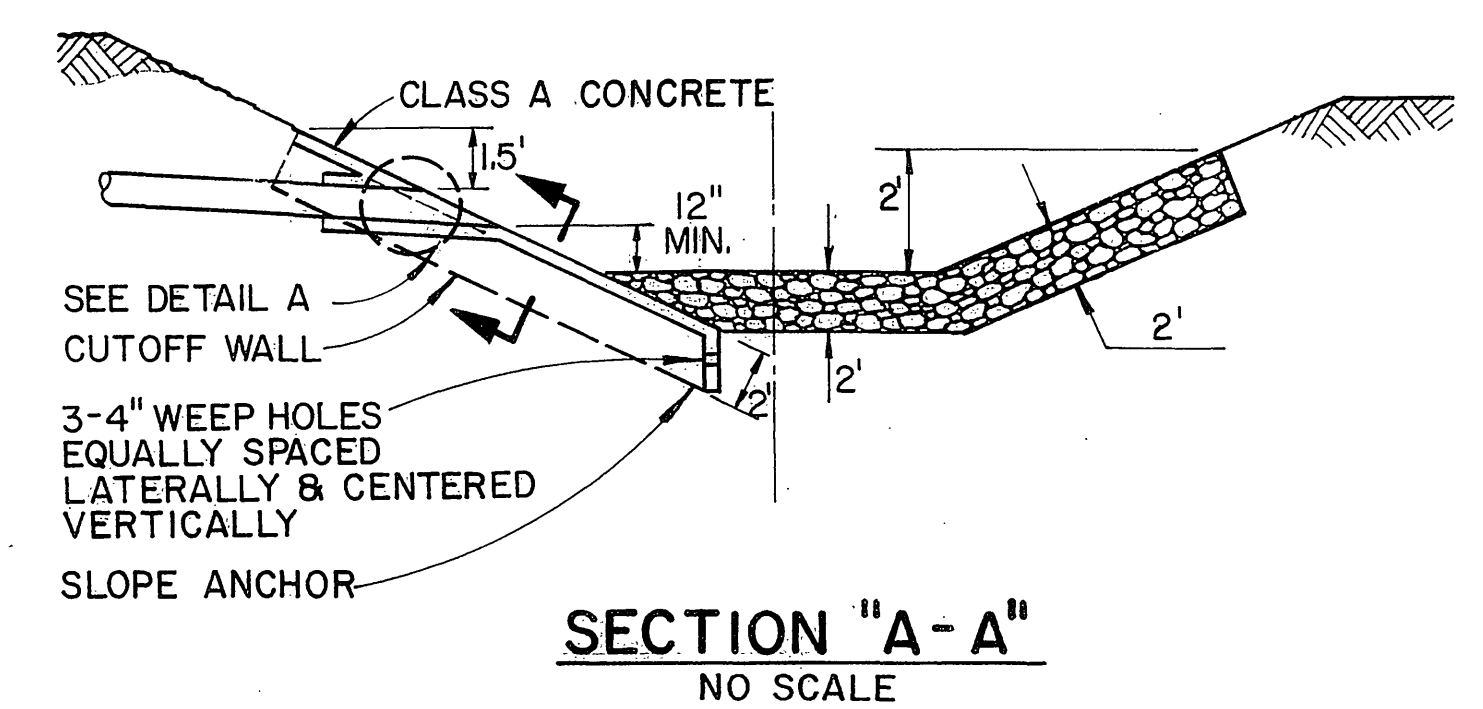
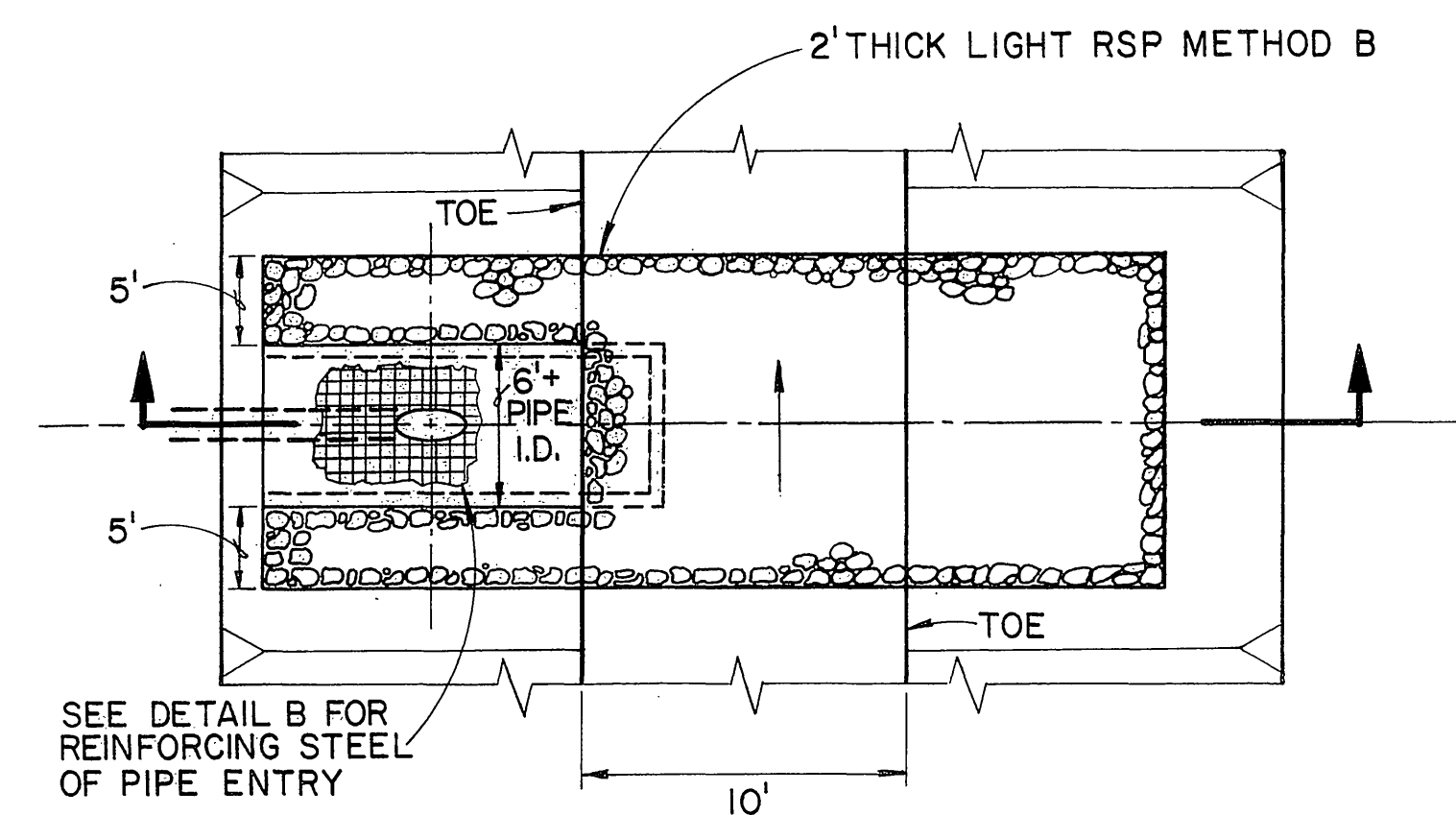
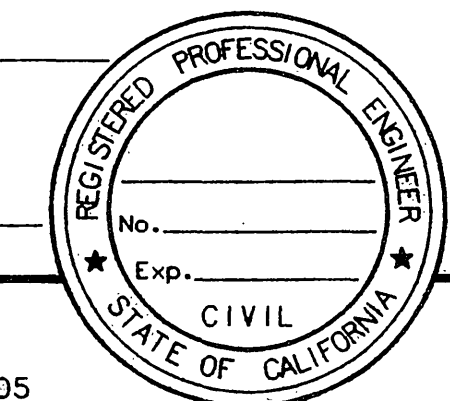
R-3946

JUL 11 1999

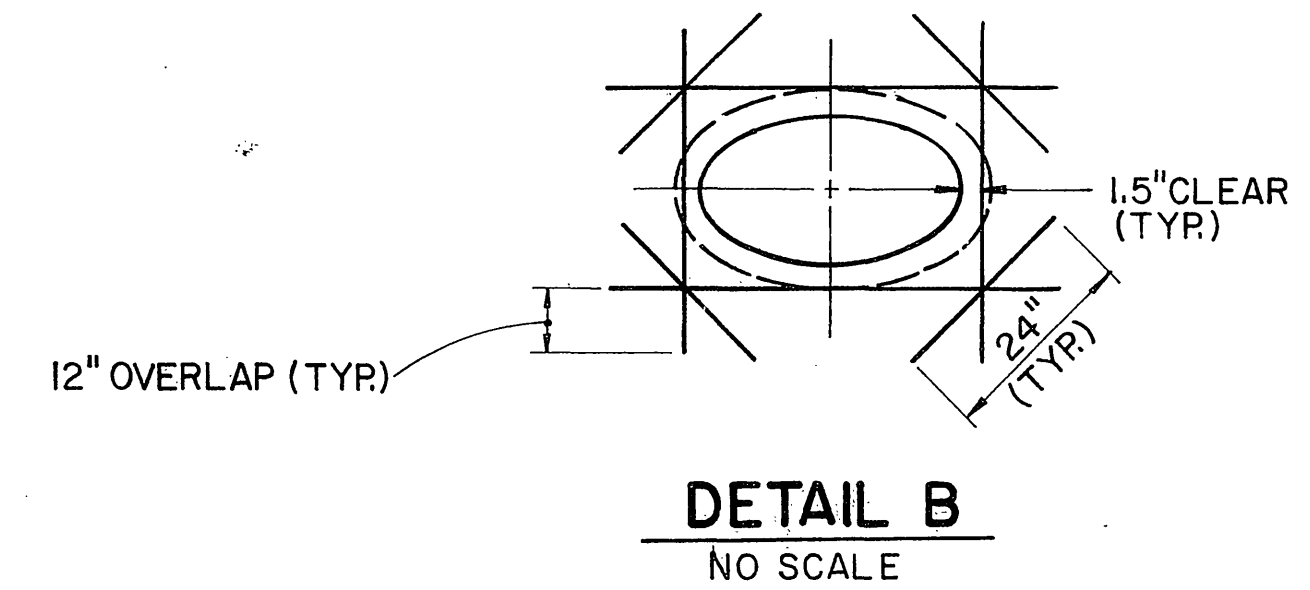
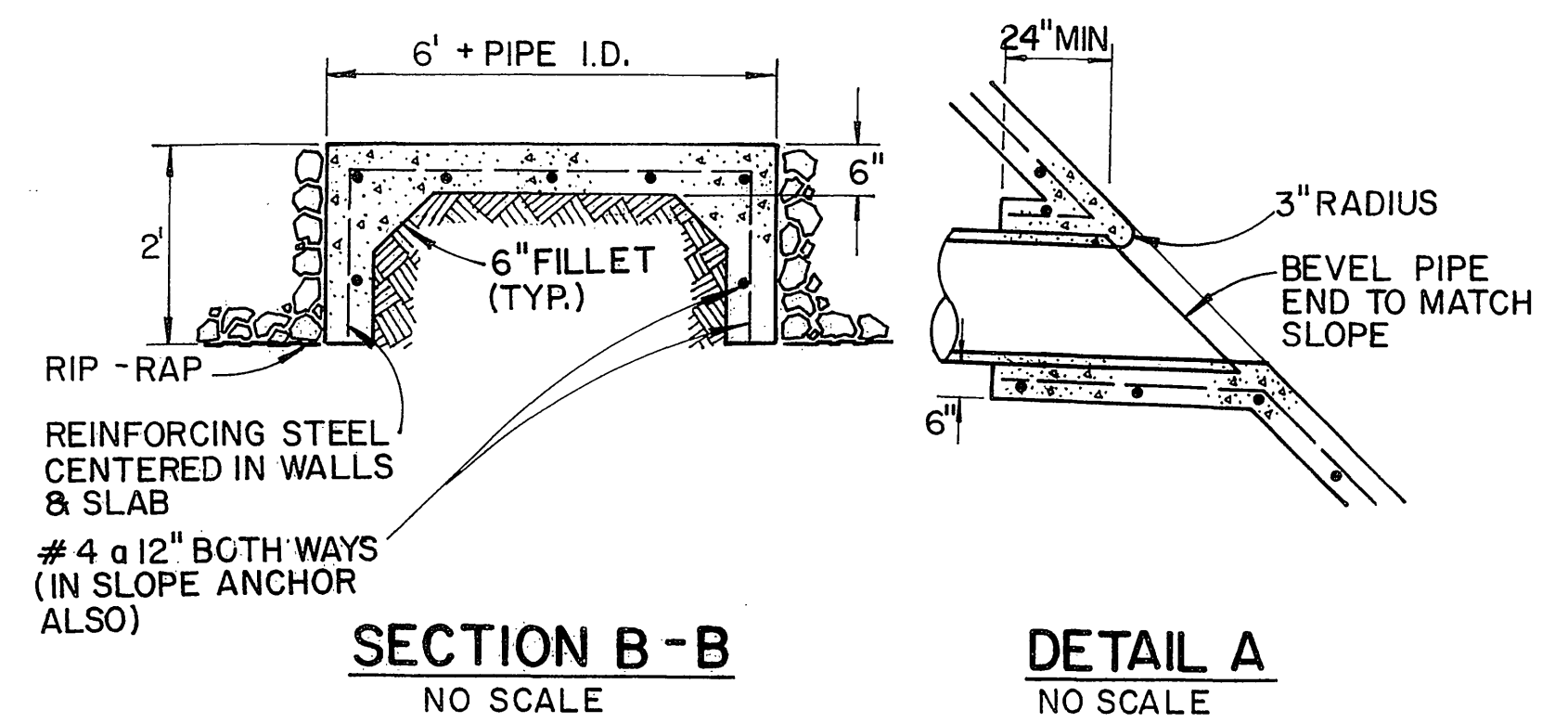
FOR REDUCED PLANS ORIGINAL SCALE IS IN INCHES



DIST	COUNTY	ROUTE	POST MILES TOTAL PROJECT	SHEET NO.	TOTAL SHEETS
8	RIV.	215			
REGISTERED CIVIL ENGINEER					
PLANS APPROVAL DATE					
<b>Greiner, Inc.</b> 1221 EAST DYER ROAD, Suite 100 SANTA ANA, CALIFORNIA 92705-5605					



STATION	IRRIGATION CROSSOVER / EXTEND IRRIGATION CROSSOVER				
	SIDE		LENGTH LF		
	RT	LT	8" CONDUIT T = 0.064	3" WATERLINE CROSSOVER 2" SPRINKLER CONTROL CROSSOVER	
547+00	SW	LOL	36	48	48
550+75	SW	LOL	40	52	52
551+25	SW	LOL	28	40	40
550+00	SEA	LOL	40	52	52
548+00	SEA	LOL	52	64	64
551+00	SEB	LOL	42	54	54
553+00	NEA	LOL	40	52	52
553+00	NEB	LOL	40	52	52
554+00	NWA	LOL	40	52	52
554+00	NWB	LOL	28	40	40
196+00	Q	EUC	106	118	118
197+46	Q	EUC	130	142	142
199+15	Q	EUC	218	230	230
200+83	Q	EUC	215	227	227



**OUTLET TO EARTH CHANNEL**

SYSTEM (41) UNIT (C)  
 SYSTEM (44) UNIT (E)

**DRAINAGE DETAILS**  
 SCALE: AS SHOWN

JUL 11 1989 R-3946

PROJECT ENGINEER  
 STATE OF CALIFORNIA - DEPARTMENT OF TRANSPORTATION  
 Caltrans

REVISOR  
 DATE  
 CALCULATED/DESIGNED BY  
 CHECKED BY



DIST	COUNTY	ROUTE	POST MILES TOTAL PROJECT	SHEET NO.	TOTAL SHEETS

REGISTERED CIVIL ENGINEER

PLANS APPROVAL DATE

**Groiner, Inc.**  
1221 EAST DYER ROAD, Suite 100  
SANTA ANA, CALIFORNIA 92705-5605

**LEGEND**

← EDGE DRAIN

+50 STATION

O OUTLET (O), VENT (V), OR CLEANOUT (CL)

TYPE OF OUTLET, VENT, OR CLEANOUT. SEE STANDARD PLANS

LENGTH OF OUTLET, VENT, OR CLEANOUT

**NOTE:**  
THIS PLAN SHEET ACCURATE FOR  
EDGE DRAINS ONLY.

REVISOR

DATE	REVISOR	DATE	REVISOR

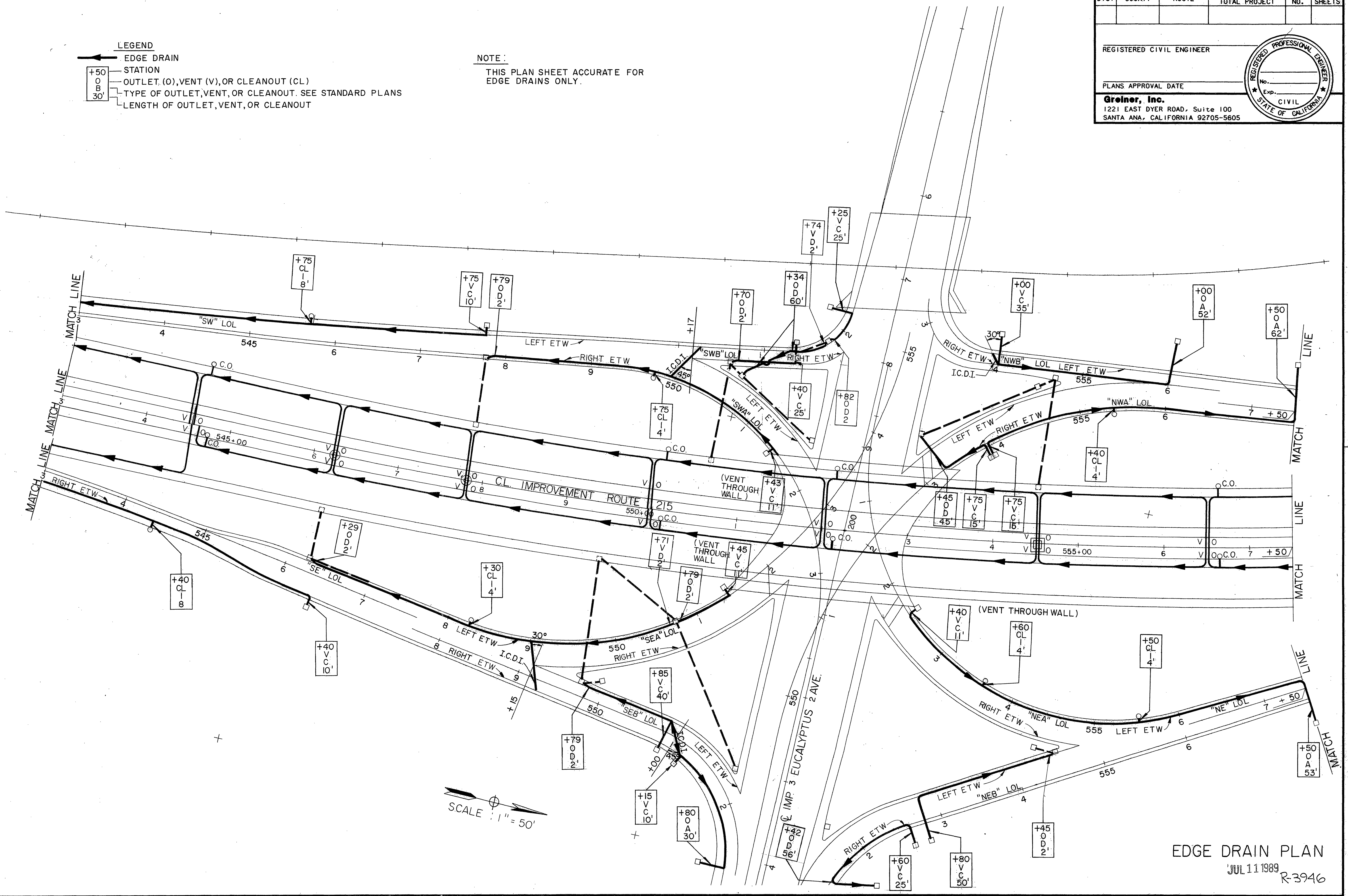
CALCULATED/DESIGNED BY

CHECKED BY

PROJECT ENGINEER

STATE OF CALIFORNIA - DEPARTMENT OF TRANSPORTATION

**Caltrans**



SCALE: 1" = 50'

EDGE DRAIN PLAN  
JUL 11 1989  
R-3946

NOTE: THIS PLAN SHEET ACCURATE FOR PAVEMENT DELINEATION ONLY.

LEGEND:

- ⊙ TYPE G-1 DELINEATOR
- ⊠ TYPE N 4 OBJECT MARKER

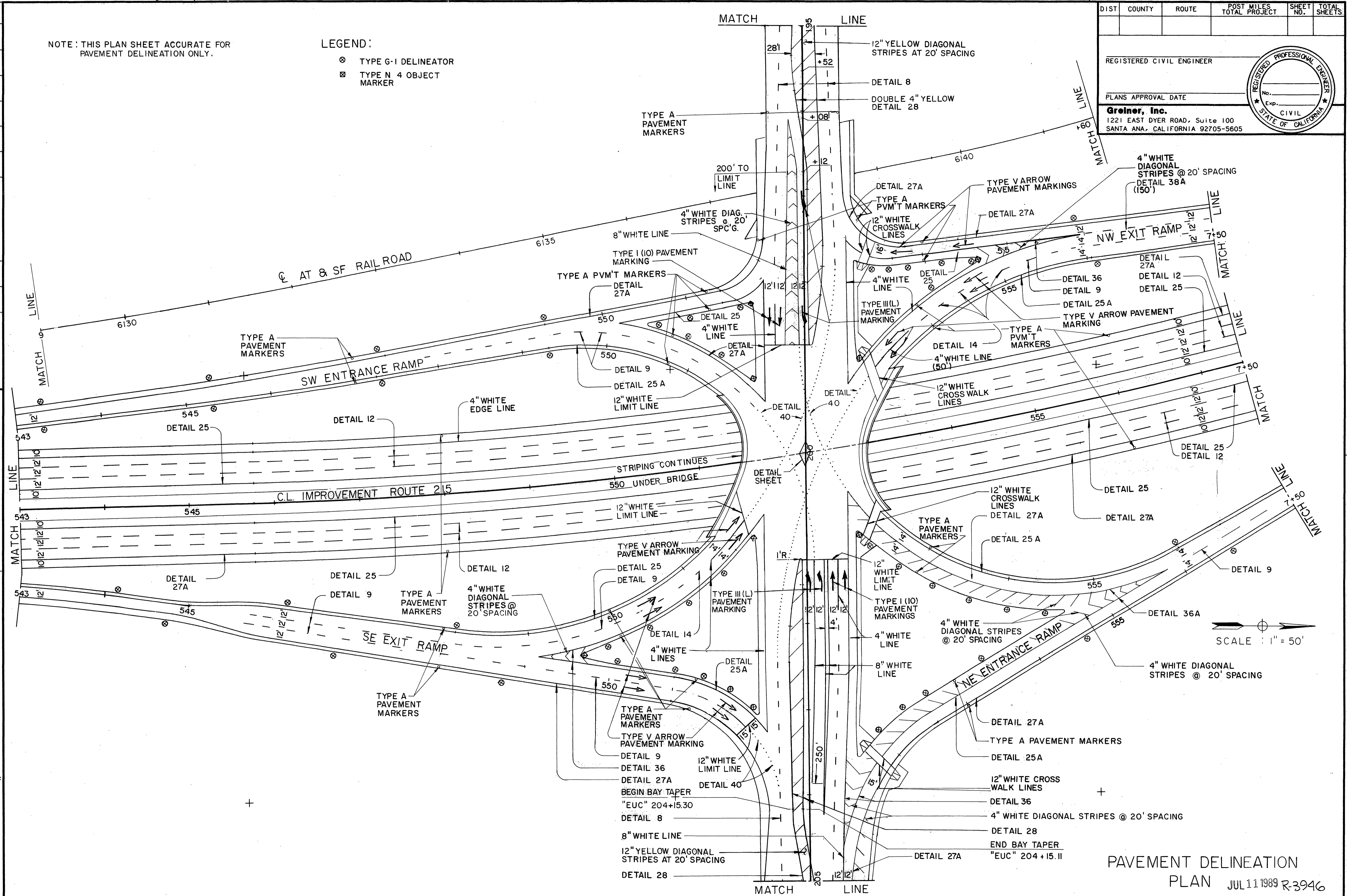
DIST	COUNTY	ROUTE	POST MILES TOTAL PROJECT	SHEET NO.	TOTAL SHEETS

REGISTERED CIVIL ENGINEER

PLANS APPROVAL DATE

**Greiner, Inc.**  
1221 EAST DYER ROAD, Suite 100  
SANTA ANA, CALIFORNIA 92705-5605

PROJECT ENGINEER	DESIGNED BY	DATE	REVISOR	DATE
	CHECKED BY			



SCALE: 1" = 50'

PAVEMENT DELINEATION PLAN JUL 11 1989 R-3946

DIST	COUNTY	ROUTE	POST MILES TOTAL PROJECT	SHEET NO.	TOTAL SHEETS
8	RIV	215	34.5/R389		

REGISTERED CIVIL ENGINEER

PLANS APPROVAL DATE

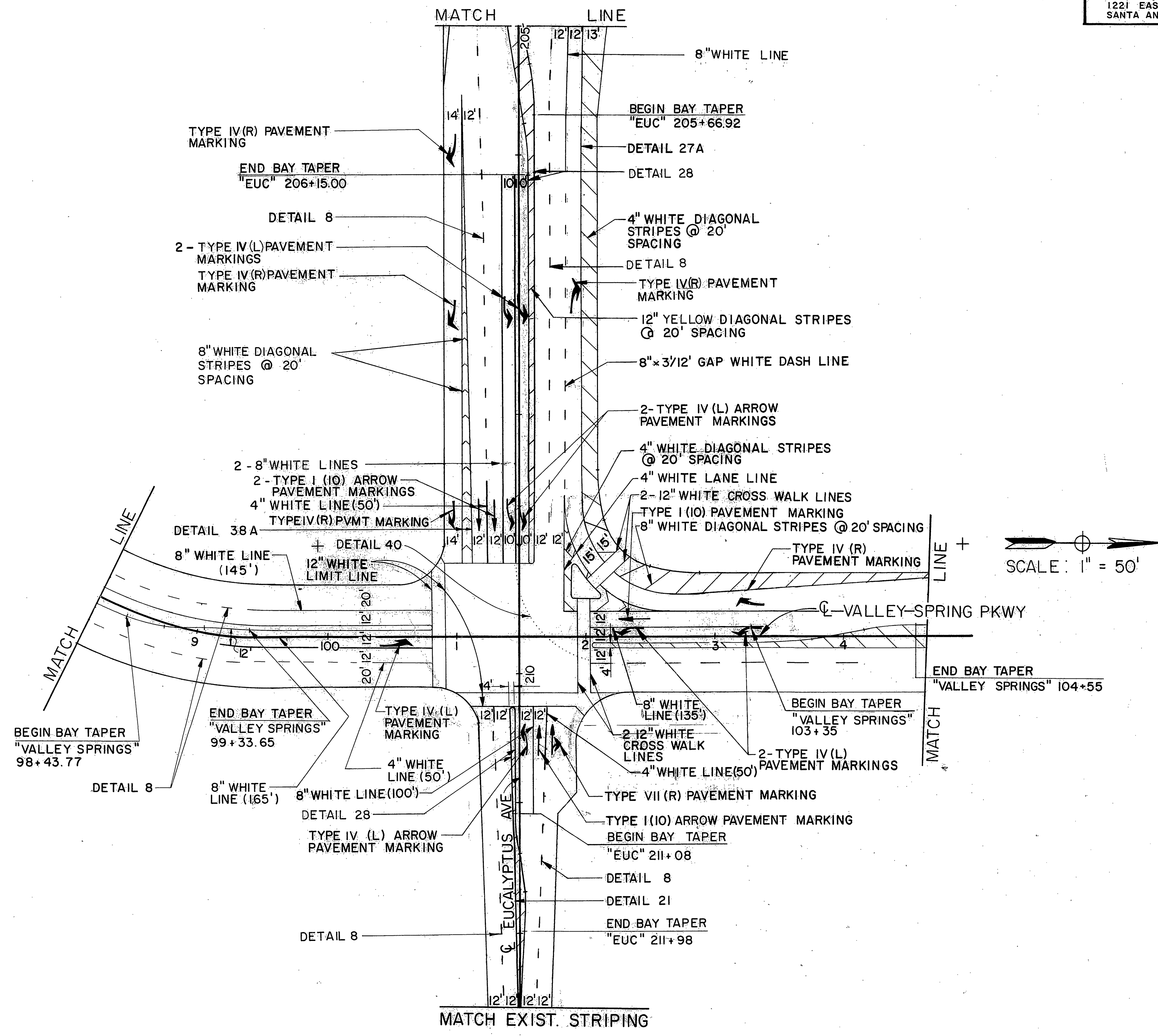
Greiner, Inc.  
1221 EAST DYER ROAD, Suite 100  
SANTA ANA, CALIFORNIA 92705-5605

NOTE: THIS PLAN SHEET ACCURATE FOR PAVEMENT DELINEATION ONLY.

REVISOR	DATE	REVISION

PROJECT ENGINEER

STATE OF CALIFORNIA - DEPARTMENT OF TRANSPORTATION  
**Ed Colburn**



PAVEMENT DELINEATION  
PLAN  
JUL 11 1989 R-3946



CU EA RECEIVED JUL 18 1989

DEPT. OF PUBLIC WORKS

INDEXED 6-21-06 4H



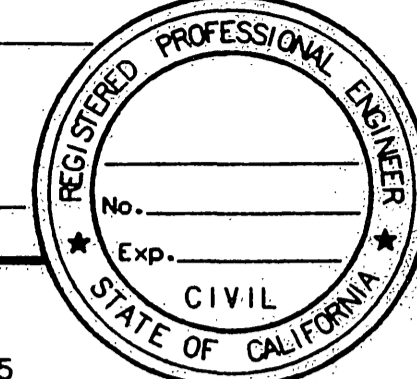
NOTE : THIS PLAN SHEET ACCURATE FOR SIGNING ONLY.

DIST	COUNTY	ROUTE	POST MILES TOTAL PROJECT	SHEET NO.	TOTAL SHEETS

REGISTERED CIVIL ENGINEER

PLANS APPROVAL DATE

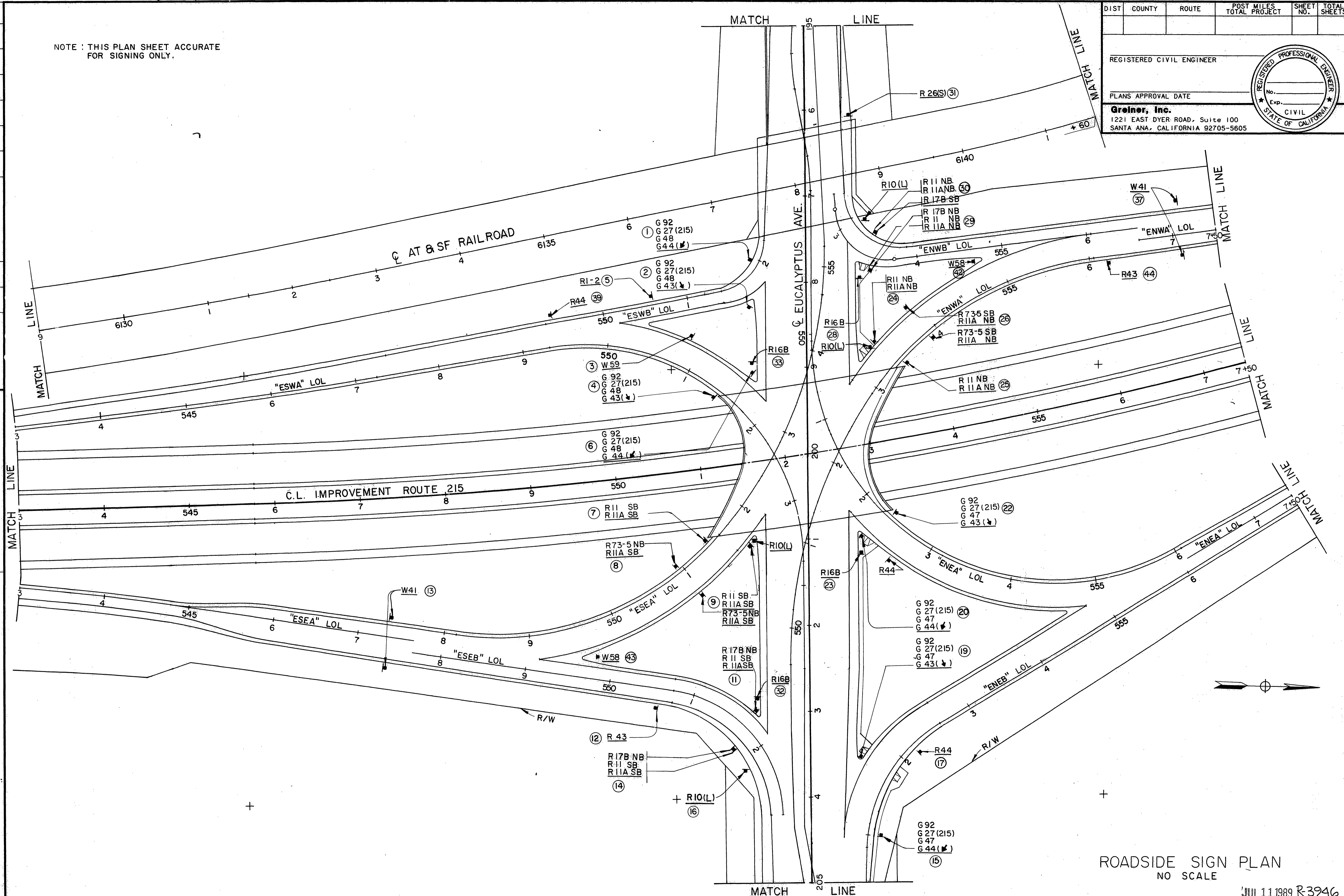
**Greiner, Inc.**  
 1221 EAST DYER ROAD, Suite 100  
 SANTA ANA, CALIFORNIA 92705-5605



REVISOR	DATE	REVISION

PROJECT ENGINEER	CHECKED BY	DESIGNED BY	CALCULATED BY


STATE OF CALIFORNIA - DEPARTMENT OF TRANSPORTATION  
**Caltrans**



ROADSIDE SIGN PLAN  
 NO SCALE  
 JUL 11 1989 R-3946

MPD33>SA-1>J9162567>CADD>SCANEW.FGB Wnd: SCANEW 06-DEC-88 14:39

FOR REDUCED PLANS ORIGINAL SCALE IS IN INCHES



CU EA RECEIVED  
 JUL 18 1989  
 DEPT. OF PUBLIC WORKS

INDEXED 6-21-06 LHH



STATE OF CALIFORNIA - DEPARTMENT OF TRANSPORTATION  
*St. Coltrane*

PROJECT ENGINEER  
 CALCULATED/DESIGNED BY  
 CHECKED BY  
 DATE REVISED BY  
 DATE REVISED

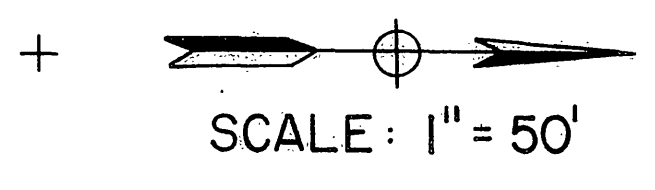
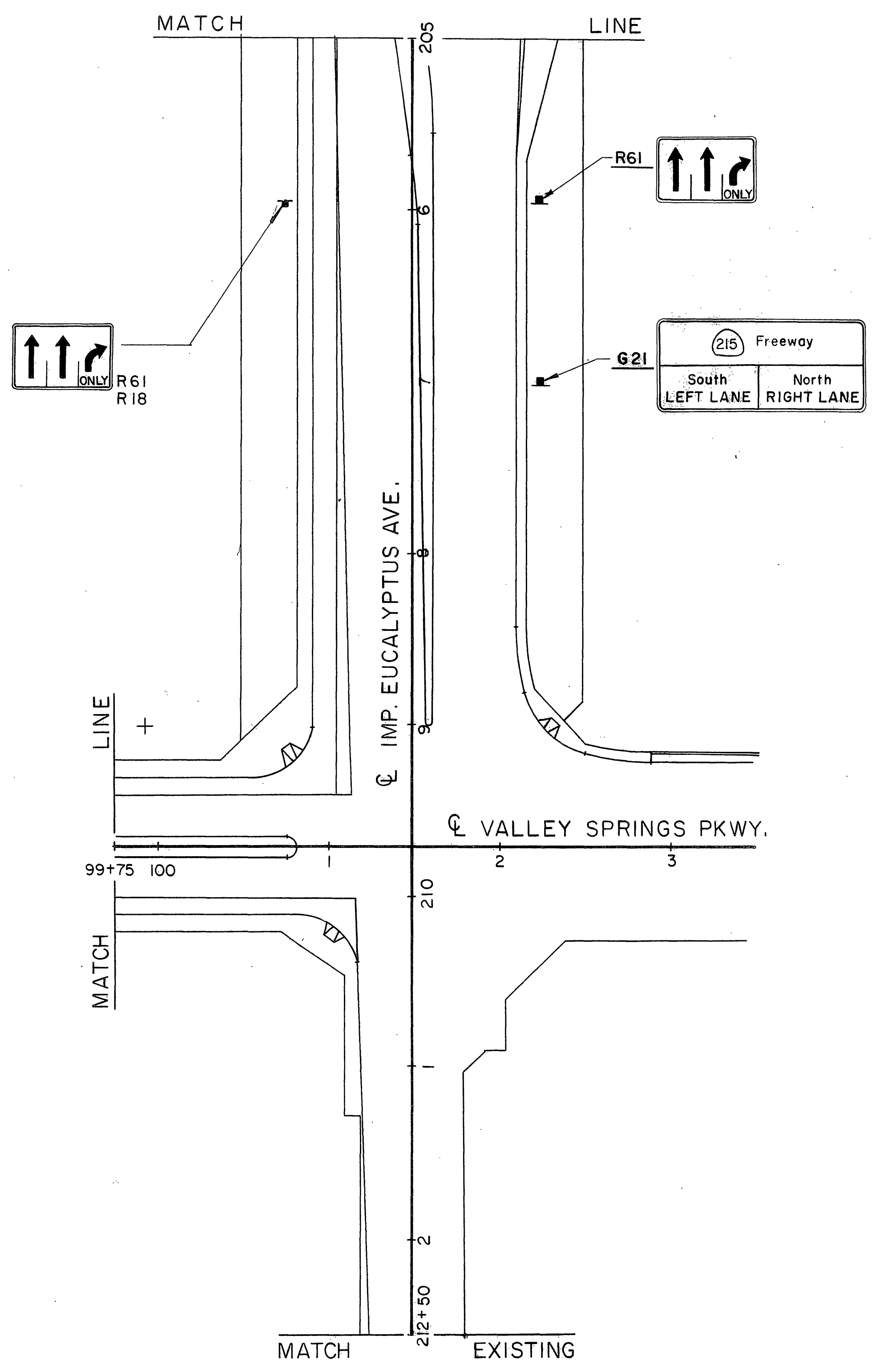
NOTE: THIS PLAN SHEET ACCURATE FOR SIGNING ONLY.

DIST	COUNTY	ROUTE	POST MILES TOTAL PROJECT	SHEET NO.	TOTAL SHEETS
8	RIV	215	342/R383		

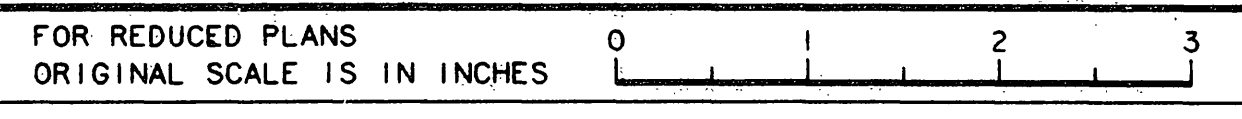
REGISTERED CIVIL ENGINEER

PLANS APPROVAL DATE

Greiner, Inc.  
 1221 EAST DYER ROAD, Suite 100  
 SANTA ANA, CALIFORNIA 92705-5605



ROADSIDE SIGN PLAN  
 JUL 11 1989 R-3946



CU EA RECEIVED JUL 16 1989 DEPT. OF PUBLIC WORKS

INDEXED 6-21-06 LHM

DIST	COUNTY	ROUTE	POST MILES TOTAL PROJECT	SHEET NO.	TOTAL SHEETS
8	RIV	215	342/R382		

REGISTERED CIVIL ENGINEER

PLANS APPROVAL DATE

**Greiner, Inc.**  
1221 EAST DYER ROAD, Suite 100  
SANTA ANA, CALIFORNIA 92705-5605

DATE	REVISOR	DATE	REVISOR

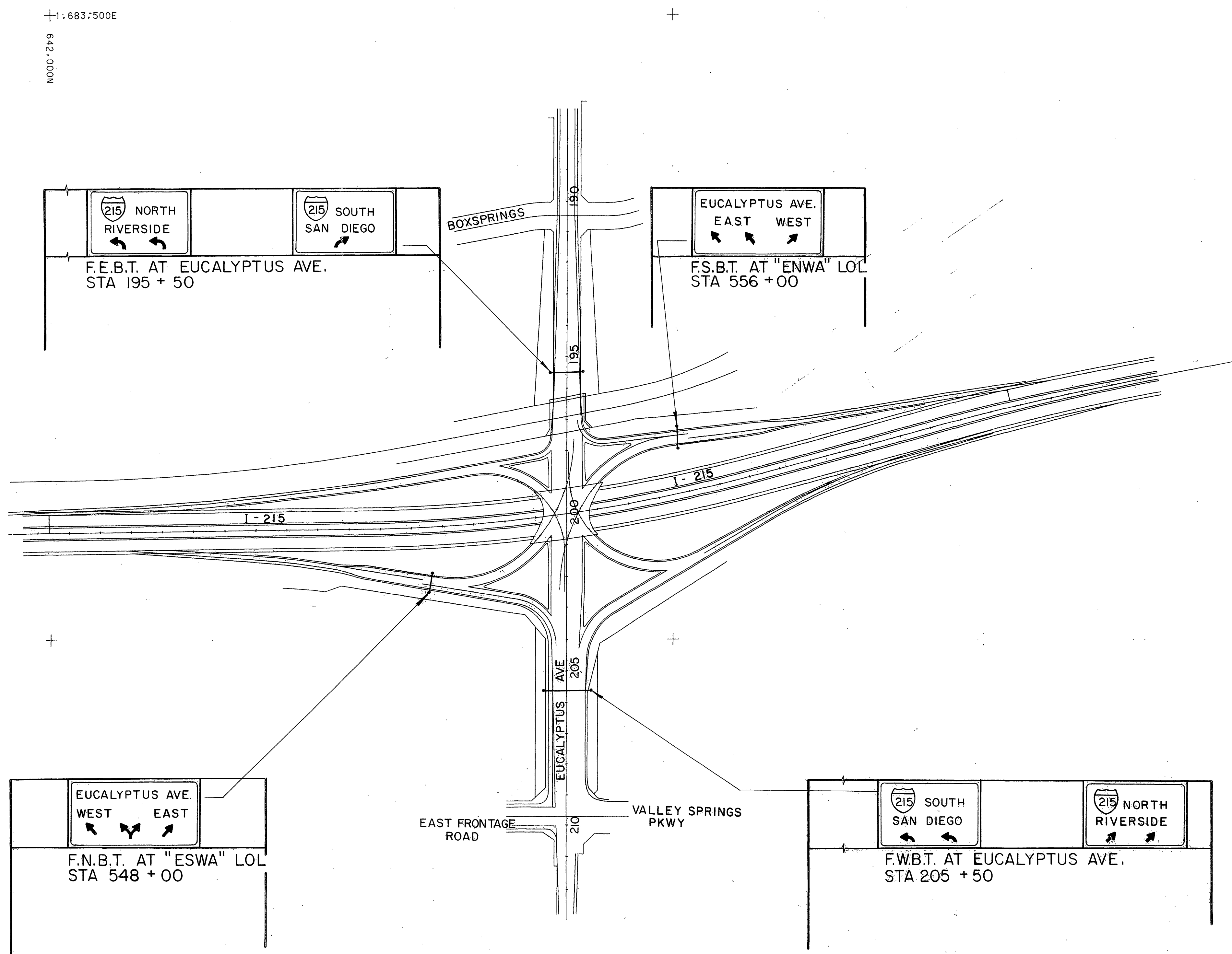
CALCULATED/DESIGNED BY

CHECKED BY

PROJECT ENGINEER

STATE OF CALIFORNIA - DEPARTMENT OF TRANSPORTATION

**St Caltrans**



SCALE: 1" = 200'

OVERHEAD SIGN  
LOCATION PLAN  
JUL 11 1989 R-3946

FOR REDUCED PLANS ORIGINAL SCALE IS IN INCHES

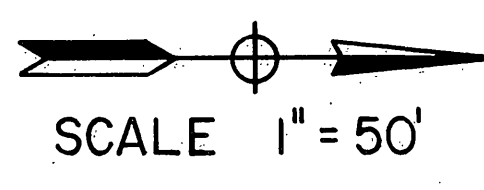
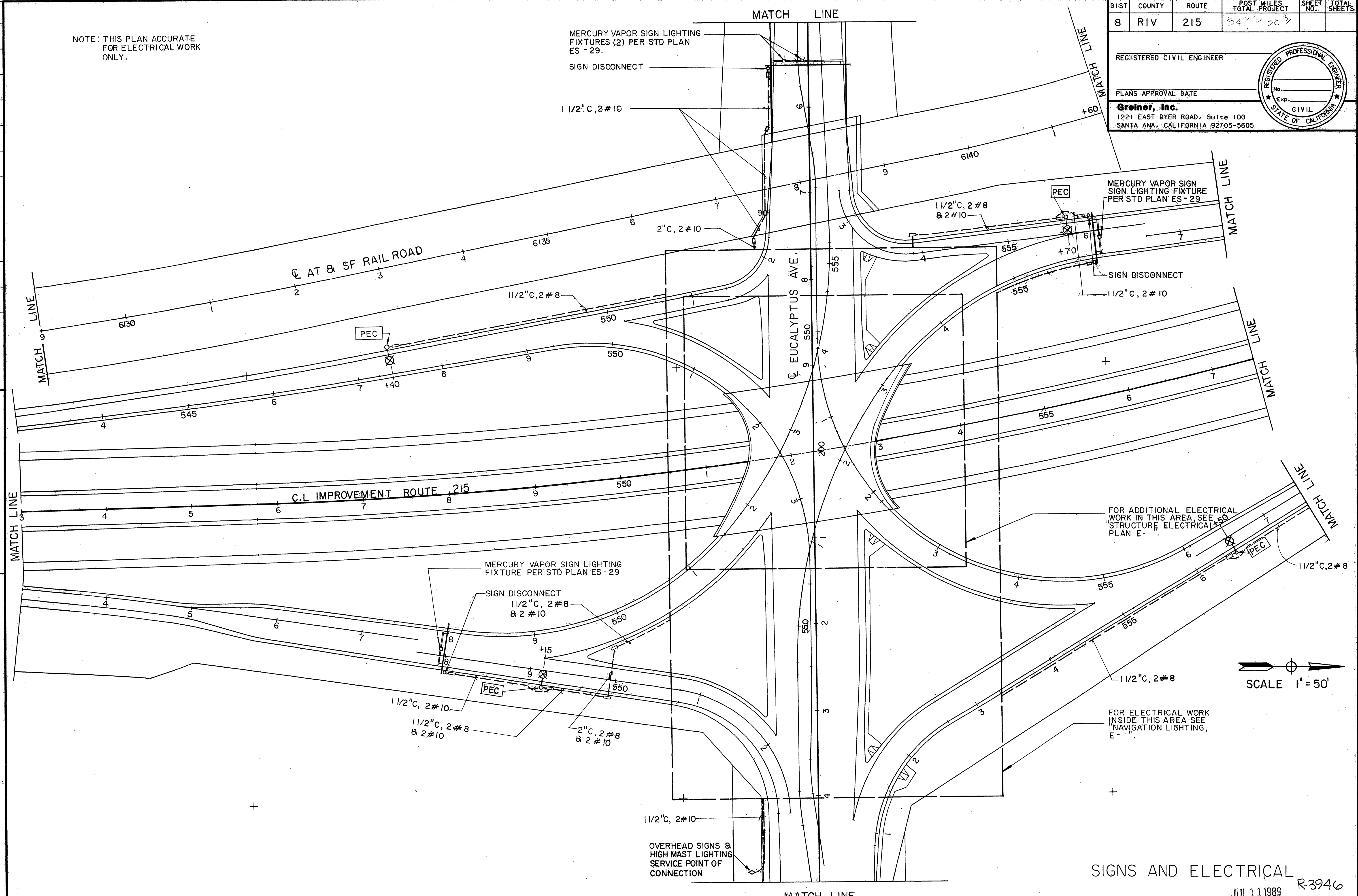
CU EA RECEIVED JUL 18 1989 DEPT. OF PUBLIC WORKS

DIST	COUNTY	ROUTE	POST MILES TOTAL PROJECT	SHEET NO.	TOTAL SHEETS
8	RIV	215	347.503		

REGISTERED CIVIL ENGINEER	
PLANS APPROVAL DATE	
<b>Greiner, Inc.</b> 1221 EAST DYER ROAD, Suite 100 SANTA ANA, CALIFORNIA 92705-5605	

NOTE: THIS PLAN ACCURATE FOR ELECTRICAL WORK ONLY.



SIGNS AND ELECTRICAL  
 JUL 11 1989 R-3946

PROJECT ENGINEER	CHECKED BY	DESIGNED BY	DATE	REVISOR	DATE

STATE OF CALIFORNIA - DEPARTMENT OF TRANSPORTATION  
 St Coltrons  
 <MF033>SA-1>J9162567>CADD>SCANEW.FGB Wnd: SCANEW 06-DEC-88 14:39

FOR REDUCED PLANS ORIGINAL SCALE IS IN INCHES  
 0 1 2 3

CU EA

DEPT. OF PUBLIC WORKS

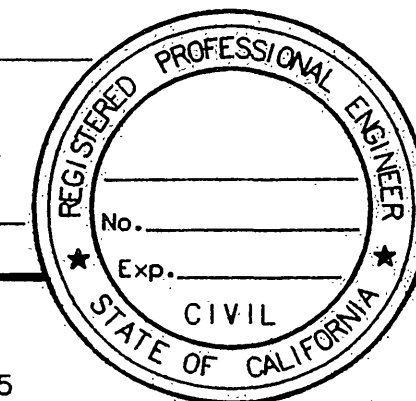
Indexed 6-21-06 lft

DIST	COUNTY	ROUTE	POST MILES TOTAL PROJECT	SHEET NO.	TOTAL SHEETS
8	RIV	215	349/1382		

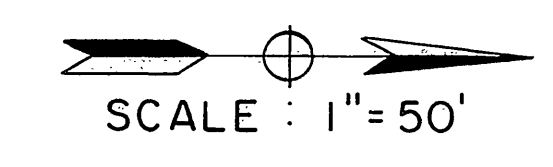
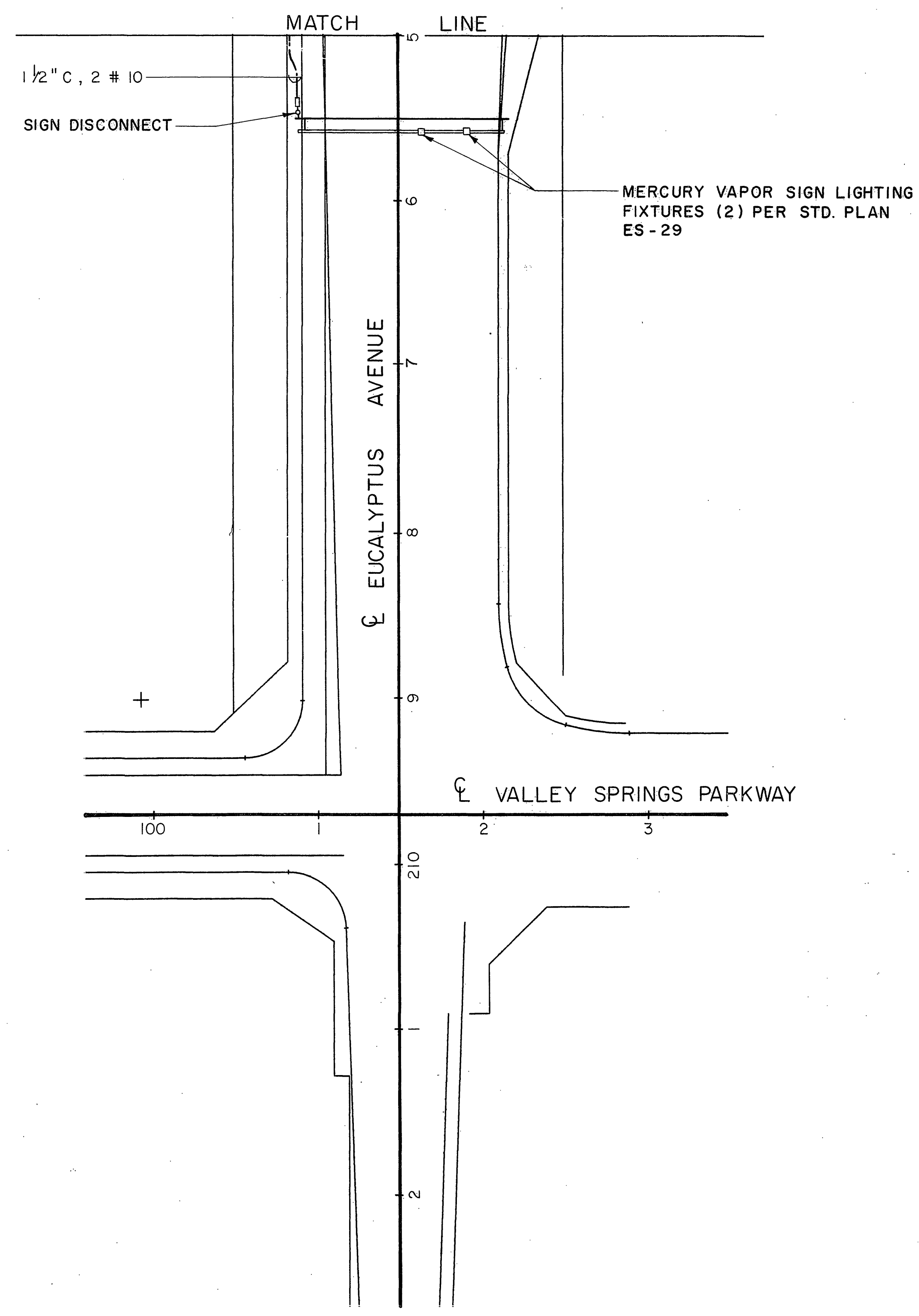
REGISTERED CIVIL ENGINEER

PLANS APPROVAL DATE \_\_\_\_\_

**Greiner, Inc.**  
 1221 EAST DYER ROAD, Suite 100  
 SANTA ANA, CALIFORNIA 92705-5605



PROJECT ENGINEER	CALCULATED/DESIGNED BY	DATE	REVISOR	DATE
STATE OF CALIFORNIA - DEPARTMENT OF TRANSPORTATION <b>St Coltrane</b>	CHECKED BY		DATE REVISED	
	DESIGNED BY		REVISOR	



SIGNS AND ELECTRICAL

JUL 11 1989 R-3946

RECEIVED  
JUL 18 1989

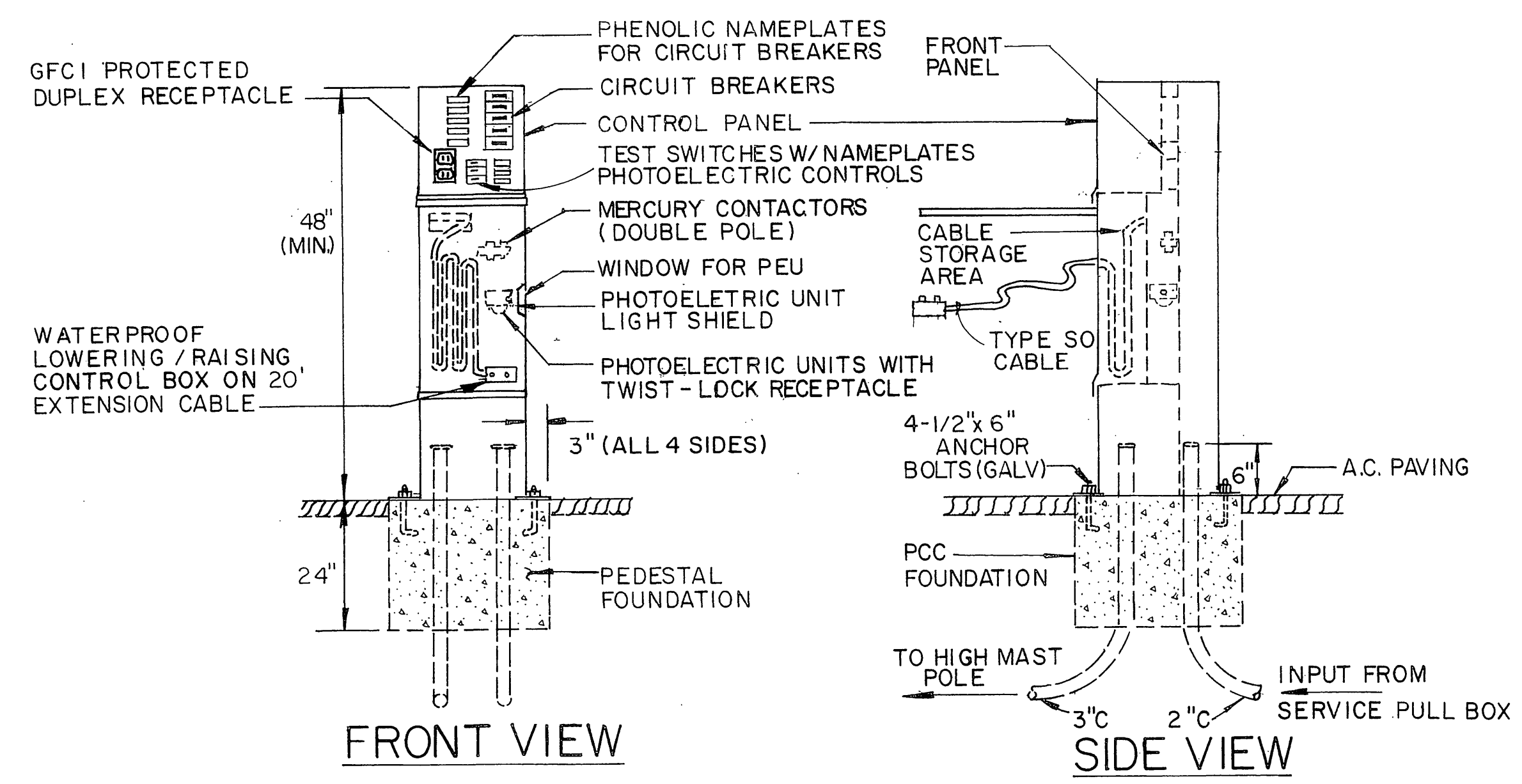
DIST	COUNTY	ROUTE	POST MILES TOTAL PROJECT	SHEET NO.	TOTAL SHEETS
8	RIV	215	342/R383		

REGISTERED CIVIL ENGINEER

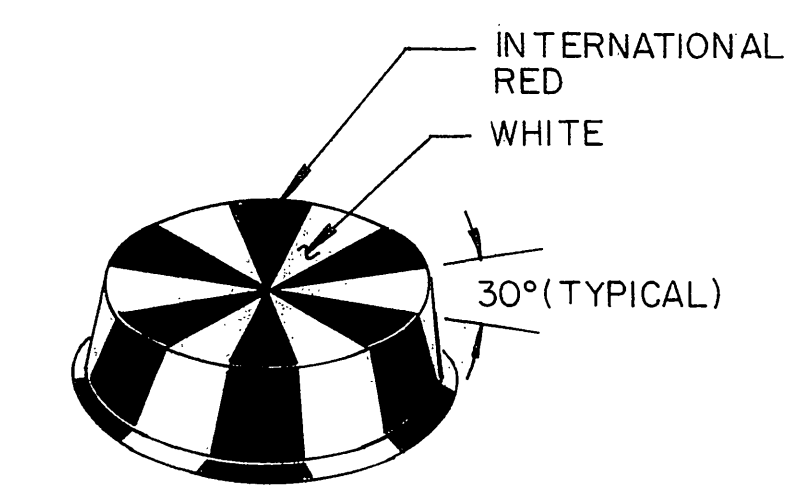
PLANS APPROVAL DATE

**Greiner, Inc.**  
1221 EAST DYER ROAD, Suite 100  
SANTA ANA, CALIFORNIA 92705-5605

PROFESSIONAL ENGINEER  
CIVIL  
STATE OF CALIFORNIA

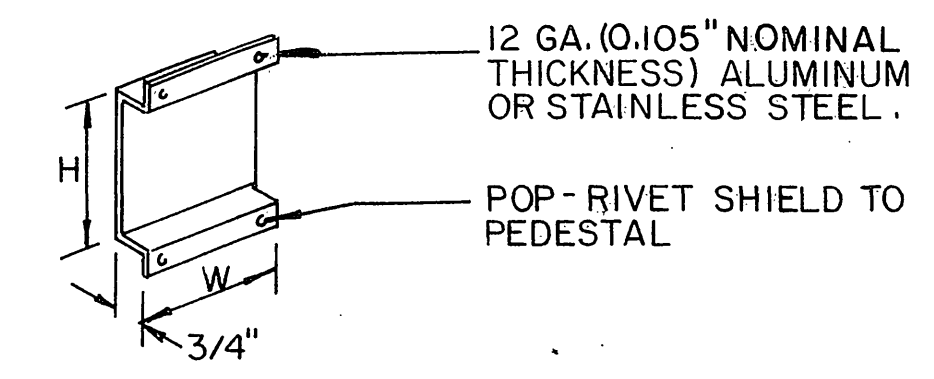


**ELECTRICAL CONTROL PEDESTAL**  
NO SCALE

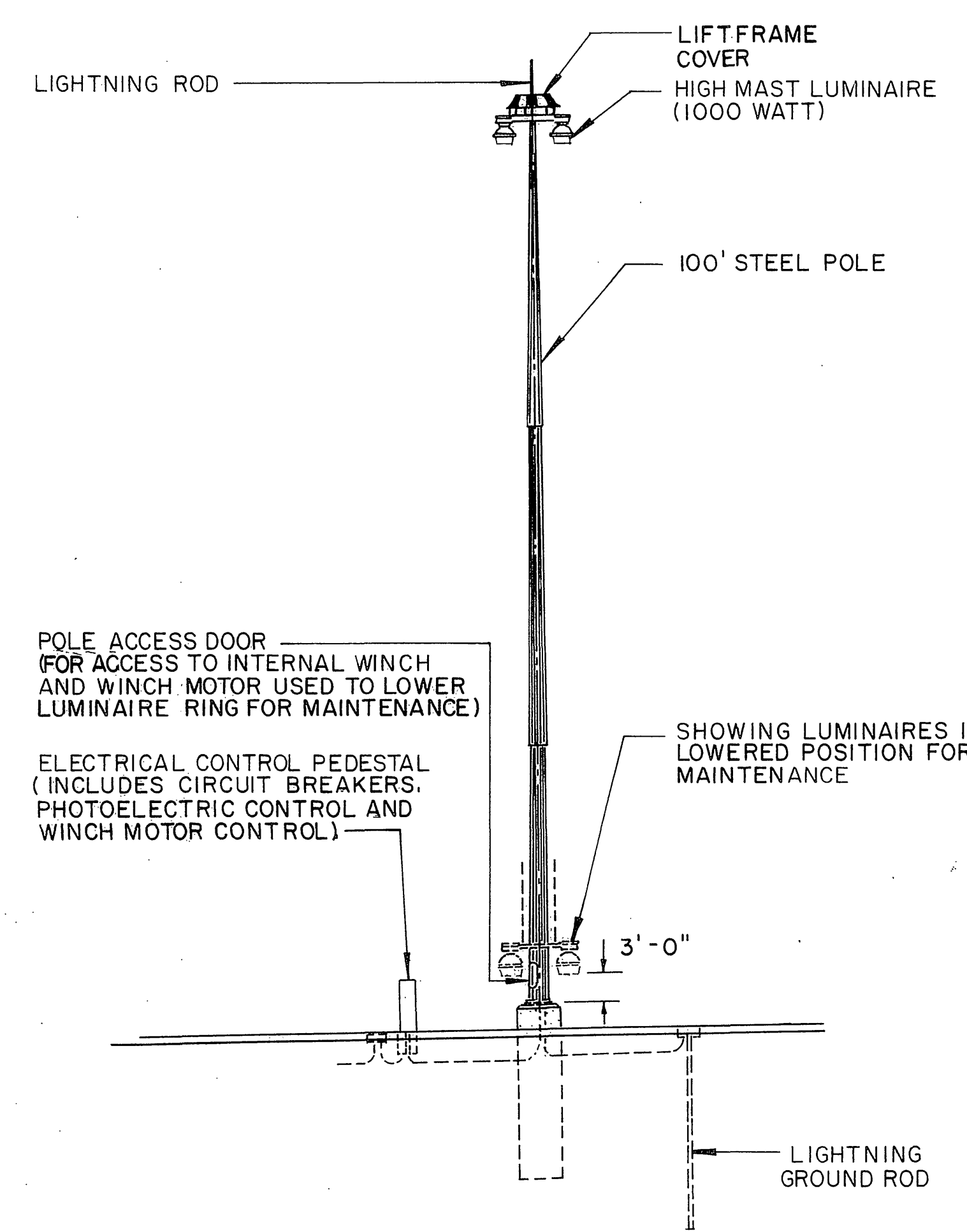


**LIFTFRAME COVER PAINTING DETAIL**  
NO SCALE

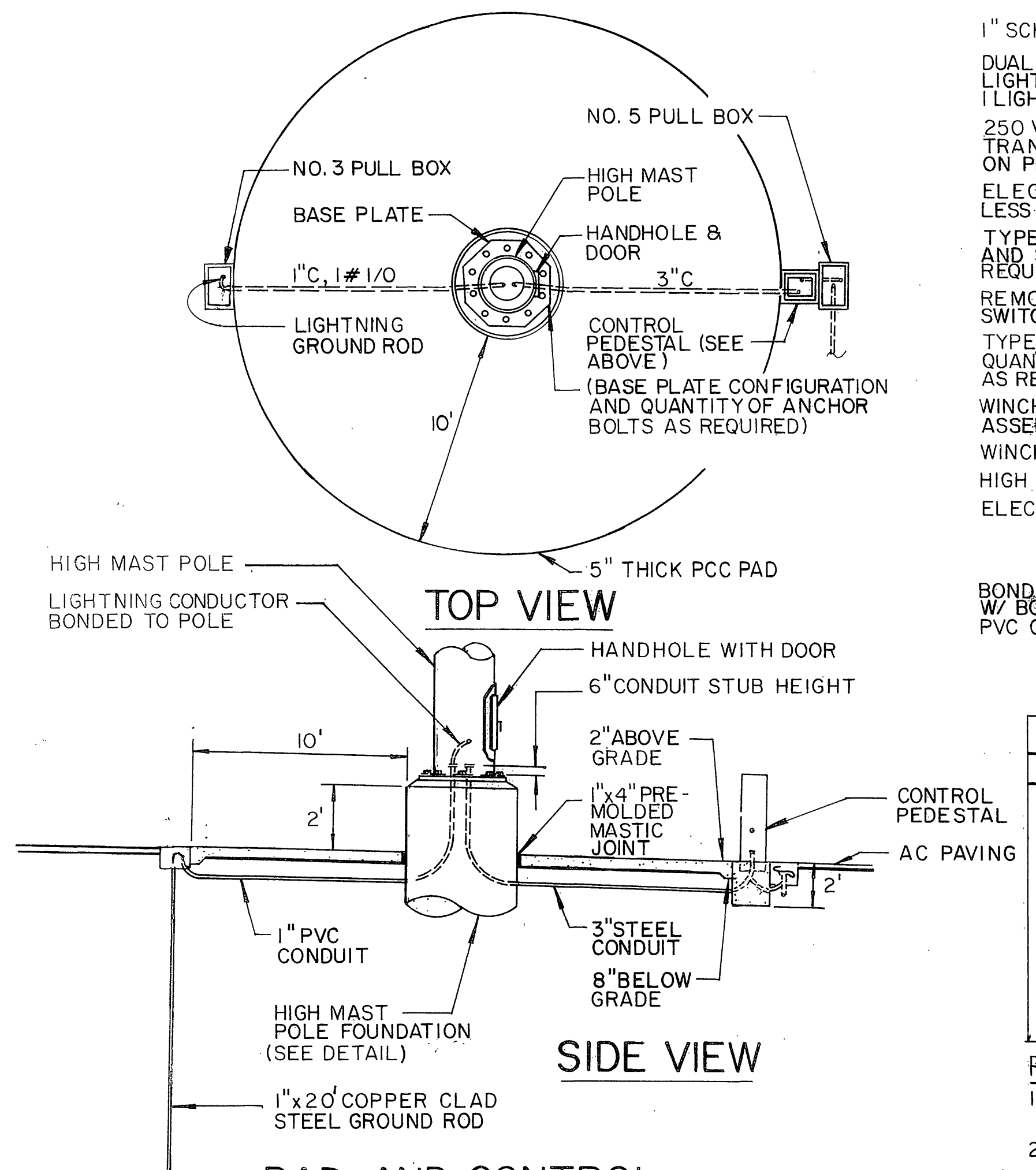
NOTE: DIMENSIONS H & W SHALL BE AS REQUIRED FOR SHIELD TO COVER WINDOW FOR PHOTOELECTRIC UNIT BY 1" IN ALL DIRECTIONS.



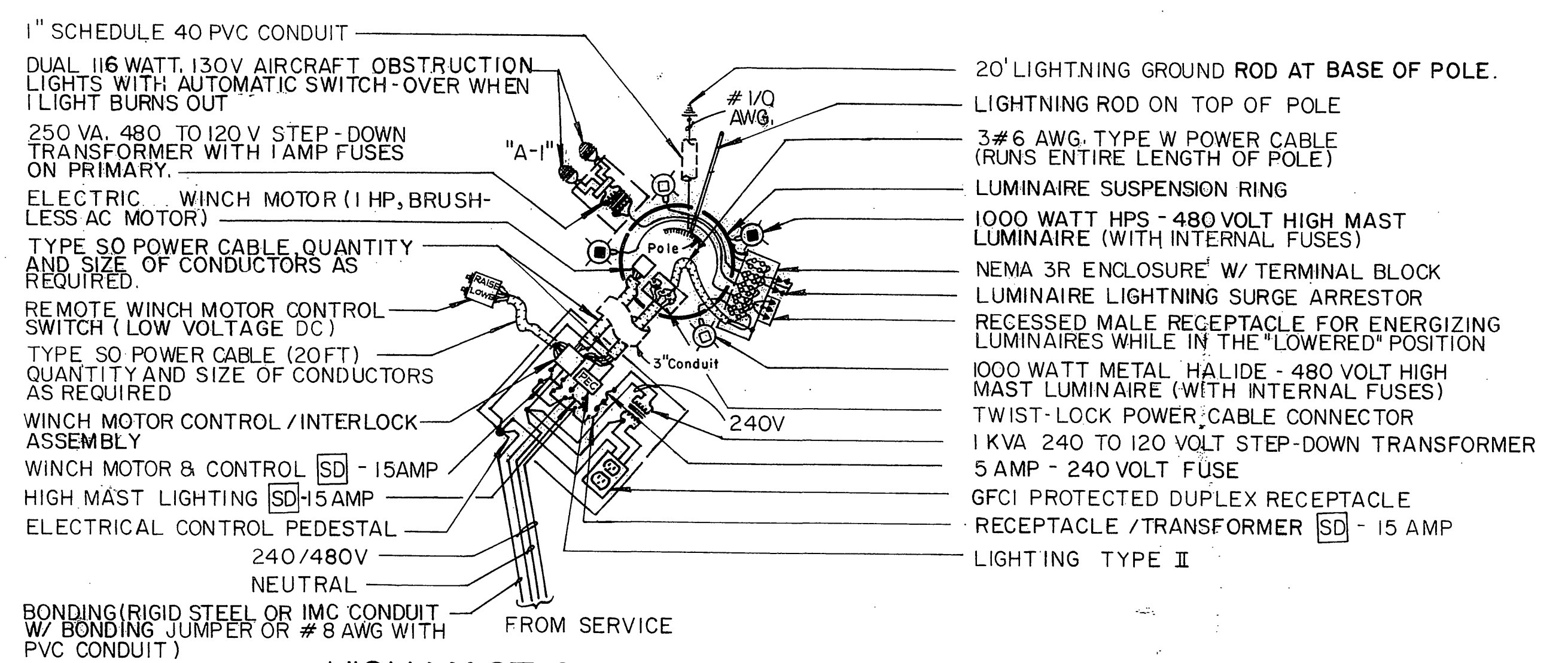
**PHOTOELECTRIC UNIT LIGHT SHIELD**  
(SHIELDS DIRECT LIGHT)



**HIGH MAST LIGHTING SYSTEM**  
NO SCALE



**PAD AND CONTROL PEDESTAL DETAIL**  
NO SCALE



**HIGH MAST CIRCUIT DIAGRAM**  
(ACCURATE FOR HIGH MAST POLES A & B)

ENGRAVED PHENOLIC NAMEPLATE TABLE		
LOCATION	EQUIPMENT TO BE NAMEPLATED	NAMEPLATE
ELECTRICAL CONTROL PEDESTAL	WINCH MOTOR AND CONTROL CIRCUIT BREAKER	WINCH MOTOR & CONTROL 480 V.
	HIGH MAST LIGHTING CIRCUIT BREAKER	HIGH MAST LIGHTING 480 VOLTS
	GROUND FAULT PROTECTED DUPLEX RECEPTACLE & 240/120 V Xfmr	GFCI RECP W/ XFMR 240 VOLTS
	HIGH MAST LIGHTING PHOTOELECTRIC CONTROL TEST SWITCH.	AUTOMATIC HIGH MAST TEST LTG PEC

- PHENOLIC NAMEPLATE NOTES:**
- NAMEPLATES SHALL BE ATTACHED USING STAINLESS STEEL OR ALUMINUM SCREWS, BOLTS, OR RIVETS.
  - WHEN NAMEPLATES ARE GROUPED TOGETHER, THEY SHALL BE OF THE SAME LENGTH & WIDTH.
  - NAMEPLATES SHALL BE WHITE LETTERS ON BLACK BACKGROUND.
  - THE "AUTOMATIC" "TEST" PORTION OF THE NAMEPLATE FOR THE PHOTOELECTRIC CONTROL TEST SWITCH SHALL CORRESPOND TO THE MOVEMENT OF THE SWITCH TOGGLE LEVER.

**HIGH MAST LIGHTING DETAILS**  
NO SCALE

STATE OF CALIFORNIA - DEPARTMENT OF TRANSPORTATION  
**Caltrans**

PROJECT ENGINEER

REVISIONS:

DATE	REVISED BY	DATE	REVISED

CALCULATED/DESIGNED BY

CHECKED BY

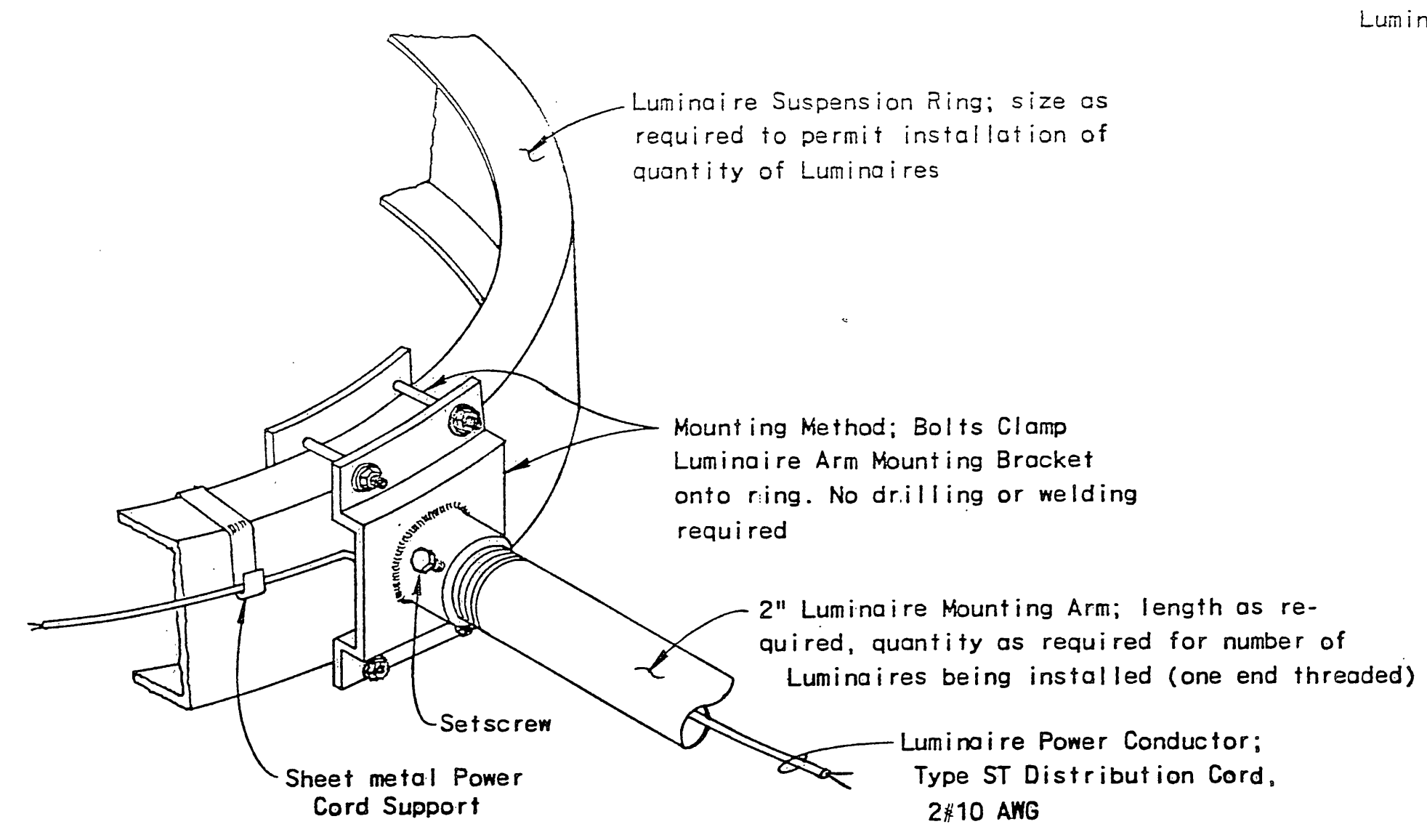
DIST	COUNTY	ROUTE	POST MILES TOTAL PROJECT	SHEET NO.	TOTAL SHEETS
8	RIV	215	349/R383		

REGISTERED CIVIL ENGINEER

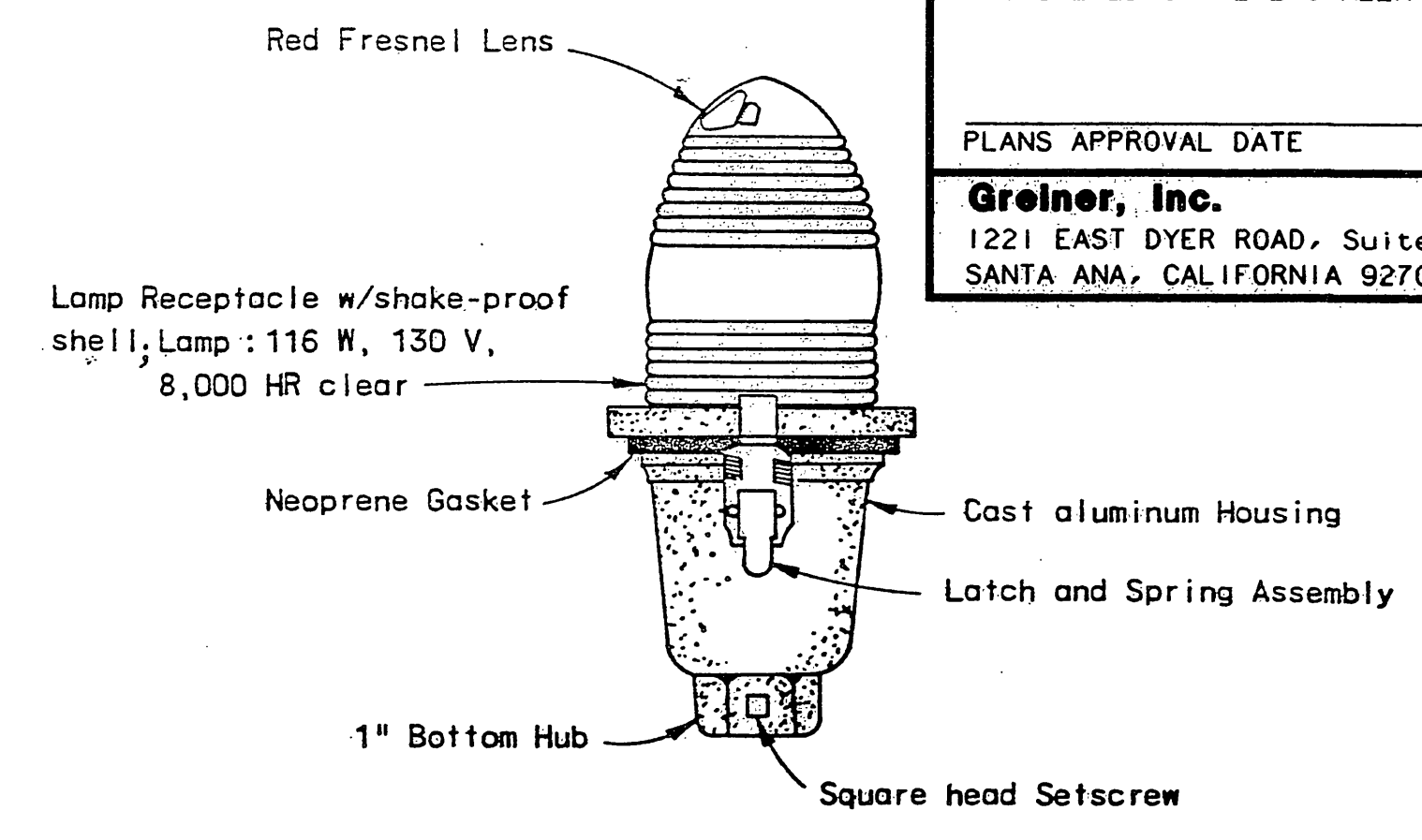
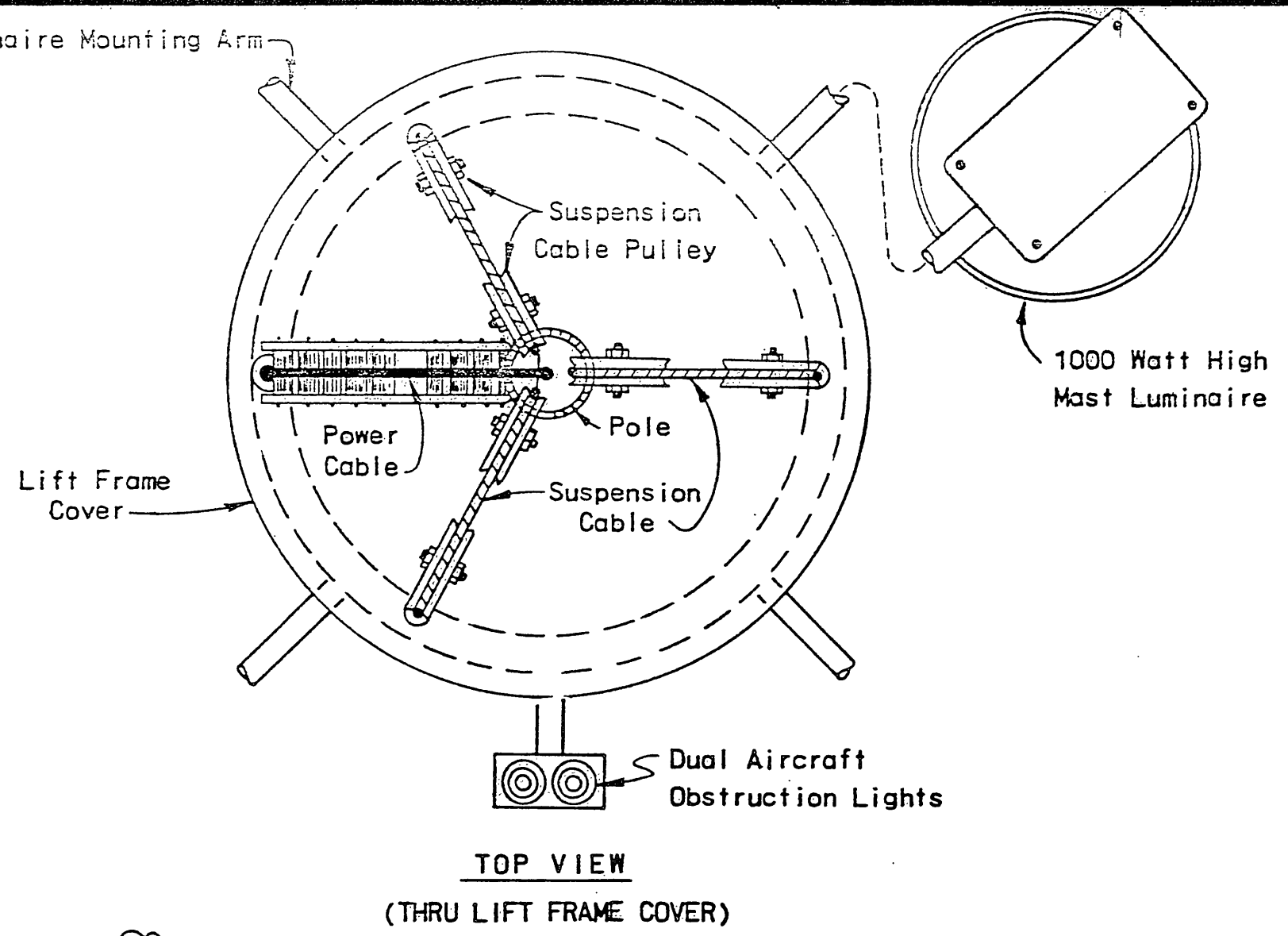
PLANS APPROVAL DATE

**Greiner, Inc.**  
 1221 EAST DYER ROAD, Suite 100  
 SANTA ANA, CALIFORNIA 92705-5605

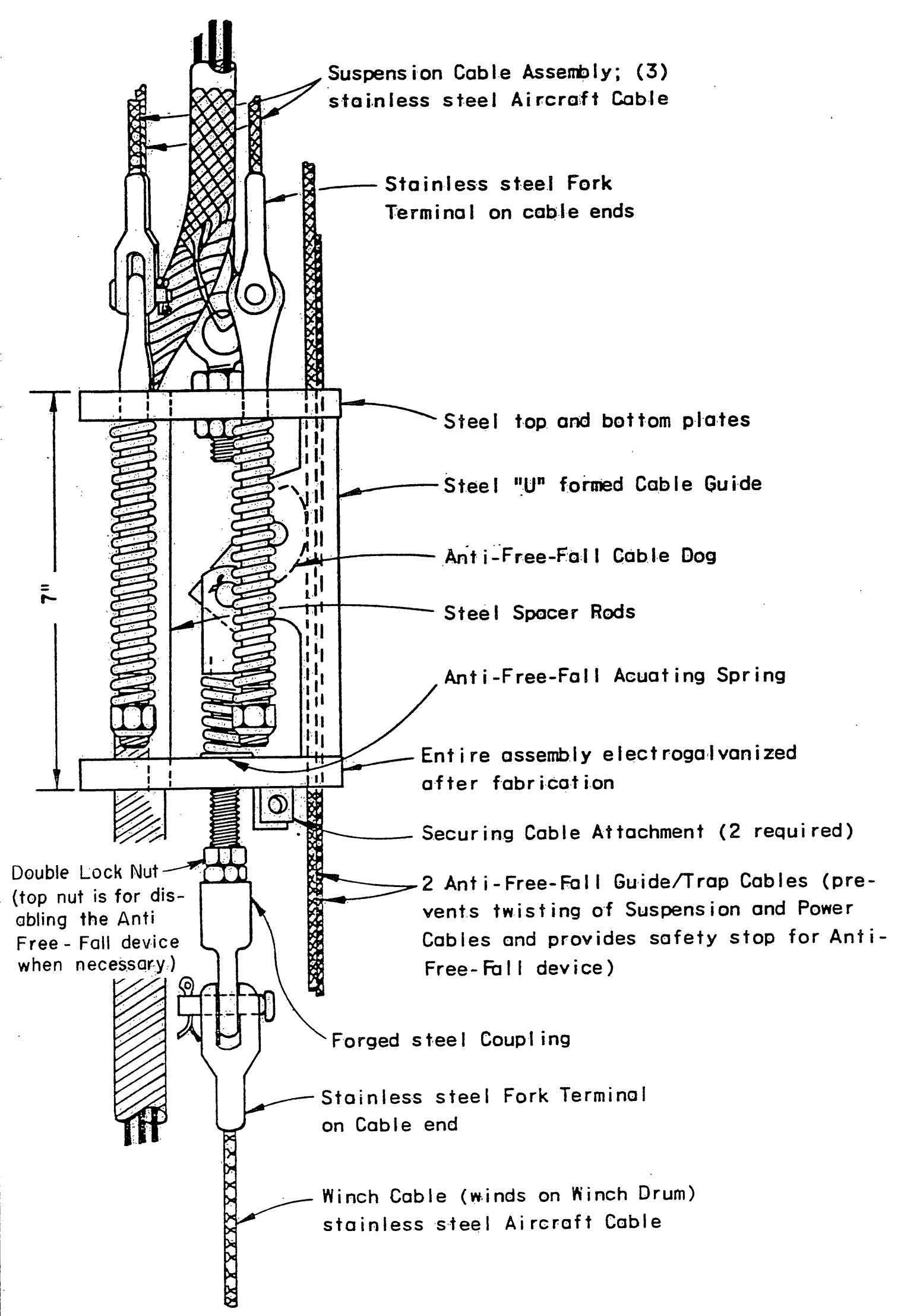
REGISTERED PROFESSIONAL ENGINEER  
 No. \_\_\_\_\_  
 Exp. \_\_\_\_\_  
 CIVIL  
 STATE OF CALIFORNIA



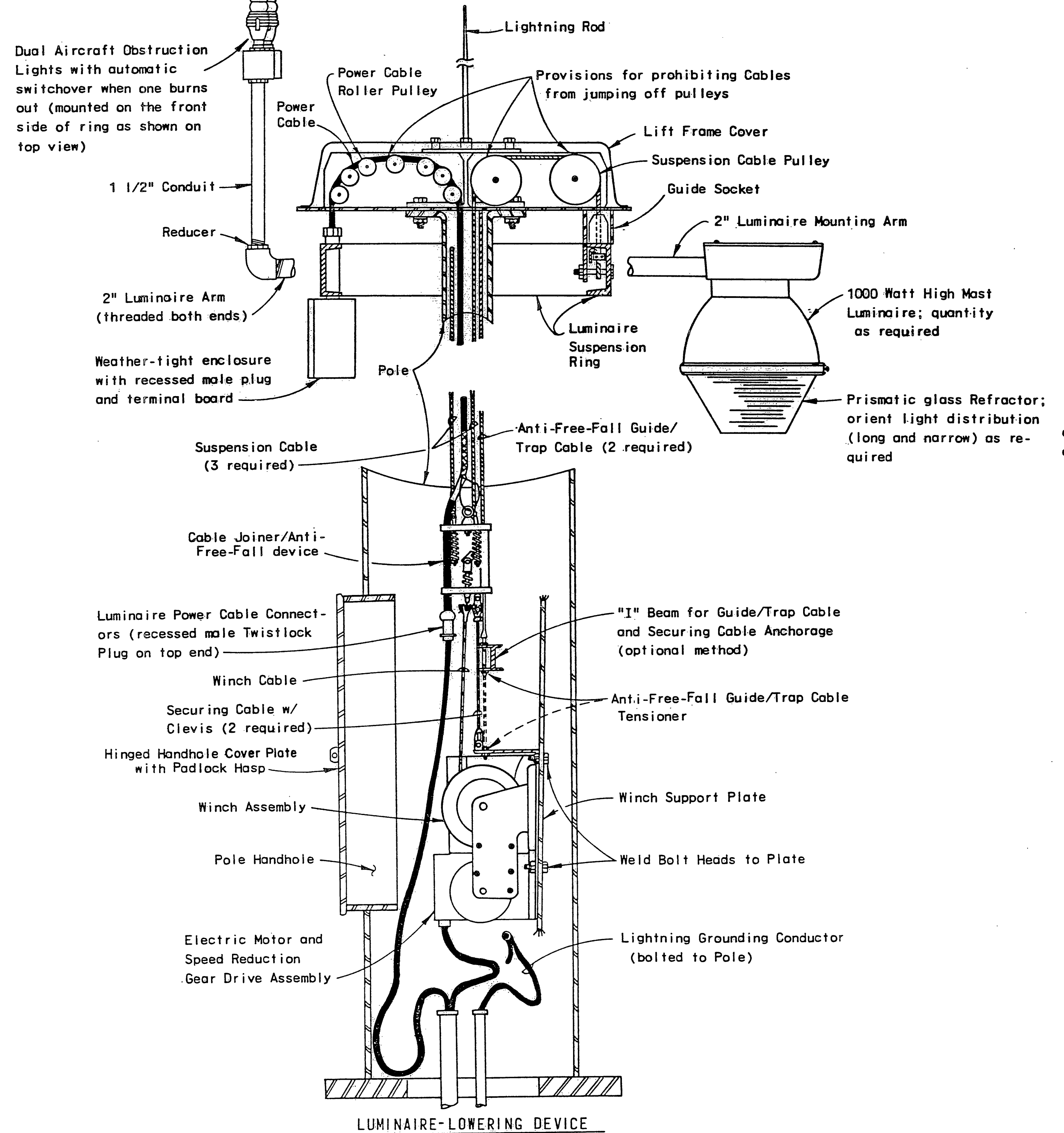
**LUMINAIRE MOUNTING ARM ATTACHMENT TO LUMINAIRE SUSPENSION RING**



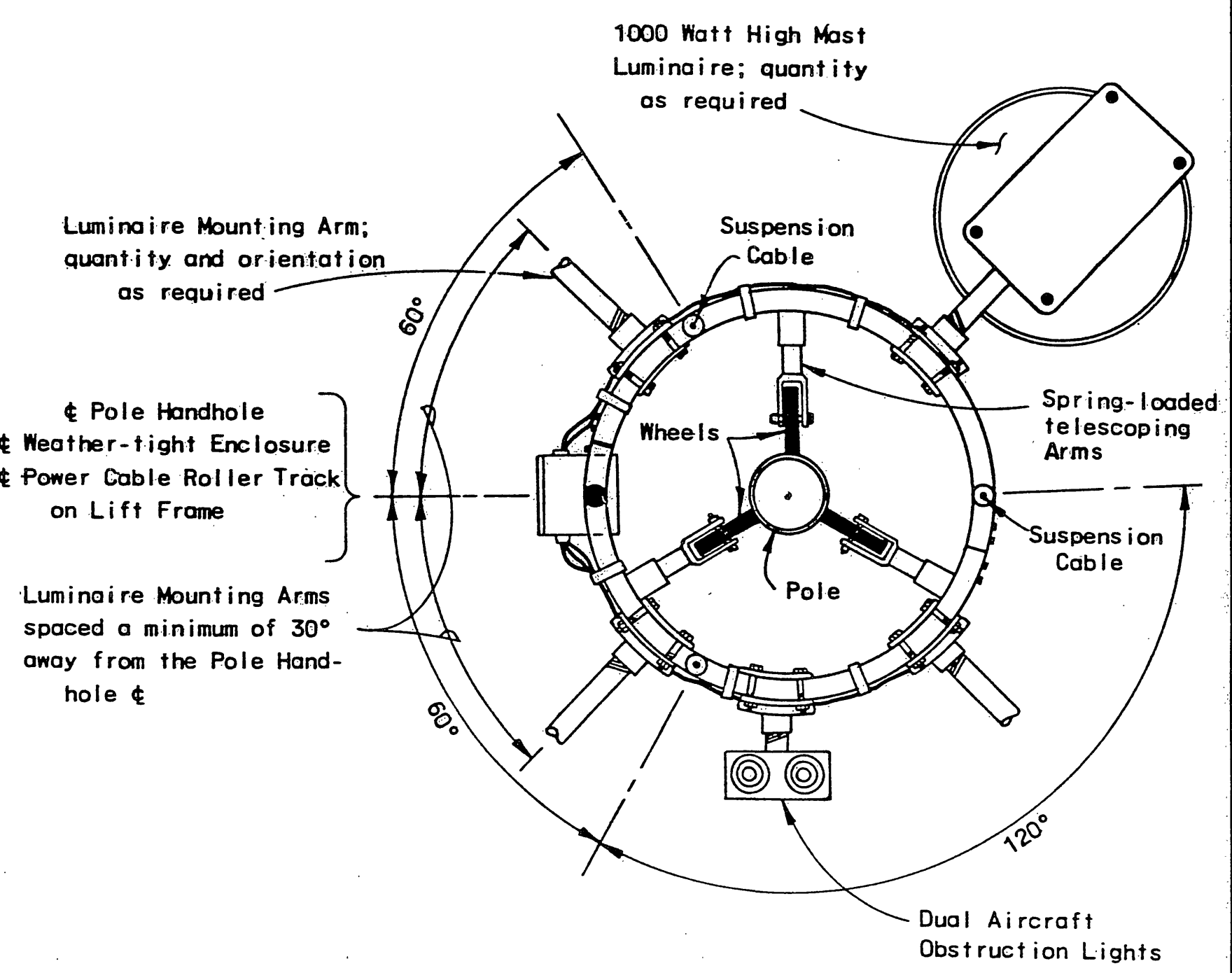
**AIRCRAFT OBSTRUCTION LIGHT**



**CABLE JOINER/ANTI-FREE-FALL DEVICE**



**LUMINAIRE-LOWERING DEVICE**



**LUMINAIRE SUSPENSION RING (TOP VIEW)**

**HIGH MAST LIGHTING DETAILS**  
 NO SCALE  
 SHEET 2 OF 3

JUL 11 1989 R-3946

STATE OF CALIFORNIA - DEPARTMENT OF TRANSPORTATION  
**Caltrans**

FOR REDUCED PLANS ORIGINAL SCALE IS IN INCHES 0 1 2 3

CU EA

DIST	COUNTY	ROUTE	POST MILES TOTAL PROJECT	SHEET NO.	TOTAL SHEETS
8	RIV	215	349/388		

REGISTERED CIVIL ENGINEER

PLANS APPROVAL DATE

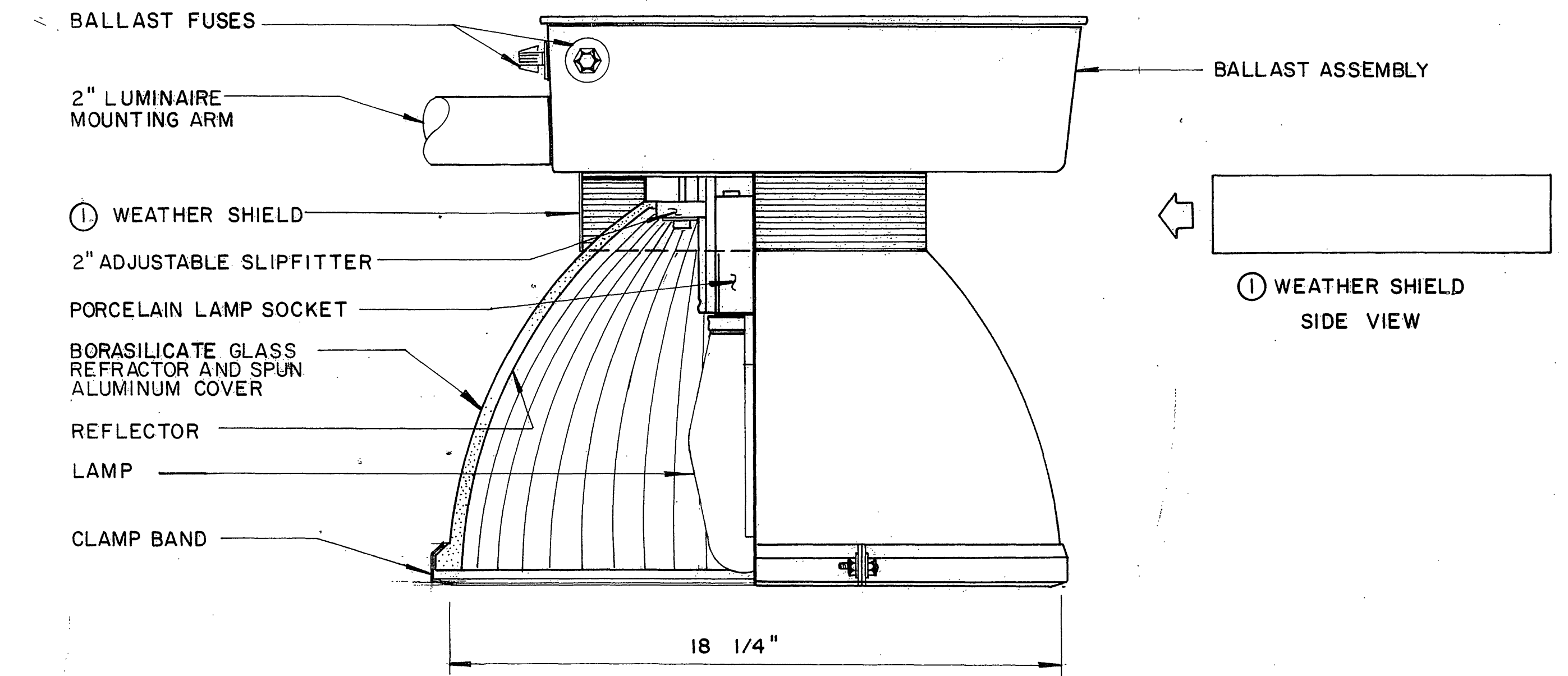
**Greiner, Inc.**  
1221 EAST DYER ROAD, Suite 100  
SANTA ANA, CALIFORNIA 92705-5605

REVISOR	DATE	REVISION

PROJECT ENGINEER

STATE OF CALIFORNIA - DEPARTMENT OF TRANSPORTATION

**St. Calbons**

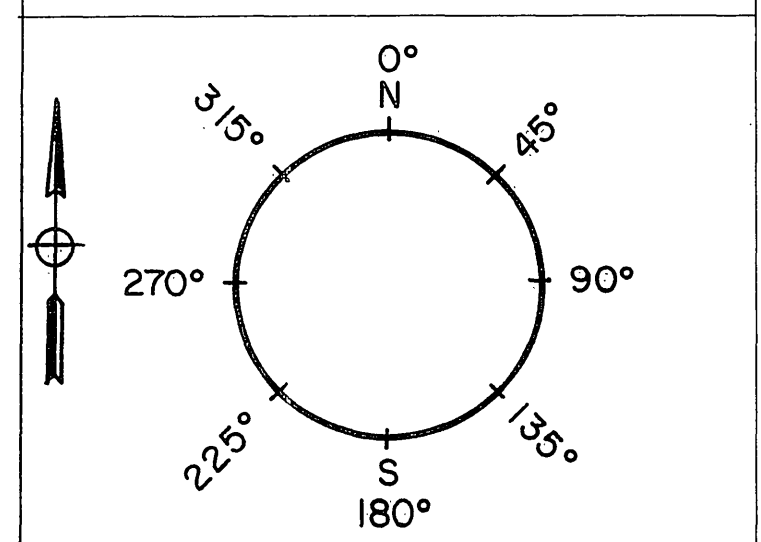


**1000 WATT LUMINAIRE WITH SYMMETRICAL, CUT - OFF REFLECTOR**

LUMINAIRE MODIFICATION : ( TO BE PERFORMED BY CONTRACTOR OR LUMINAIRE MANUFACTURER )

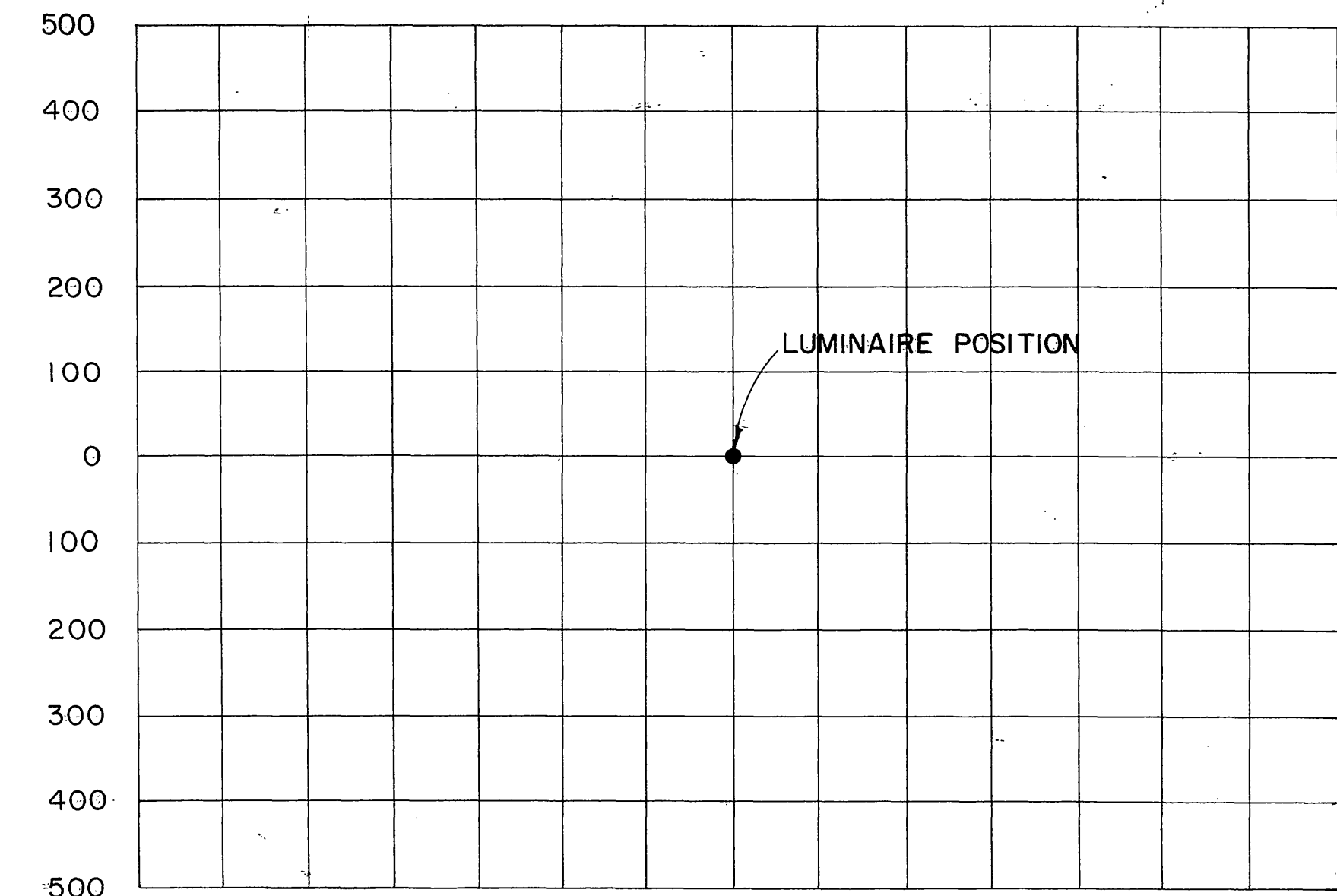
- ① REPLACE WEATHER SHIELD WITH NON-PERFORATED SHEET ALUMINUM SHIELD OF SIMILAR DESIGN TO THE STANDARD ONE. REMOVED SHIELDS SHALL BECOME THE PROPERTY OF THE STATE.

**ORIENTATION CHART FOR HIGH MAST LIGHTING**



HIGH MAST POLE No.	LUMINAIRE MOUNTING ARM LOCATION	LUMINAIRE REFRACTOR AIMING DIRECTION	HAND HOLE LOCATION
A, B	45.0°	0.0°/180.0°	A - 180°
	135.0°	0.0°/180.0°	(SOUTH)
	180.0°	0.0°/180.0°	B - 0°
	225.0°	0.0°/180.0°	(NORTH)

\* LUMINAIRE REFRACTOR SHALL BE SET BY AIMING THE "TRAFFIC FLOW" MARKS ON THE REFRACTOR IN THE DIRECTIONS OF THE ANGLES LISTED.



**ISOFOOTCANDLE CURVES - MINIMUM**  
1 - 1000 WATT HIGH MAST LUMINAIRE ( WITH LONG & NARROW LIGHT DISTRIBUTION ) 100' LUMINAIRE MOUNTING HEIGHT.

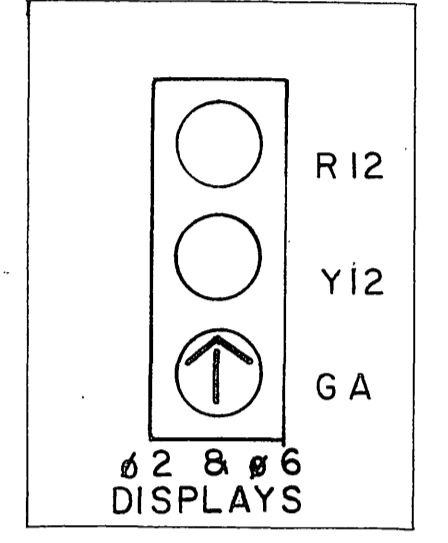
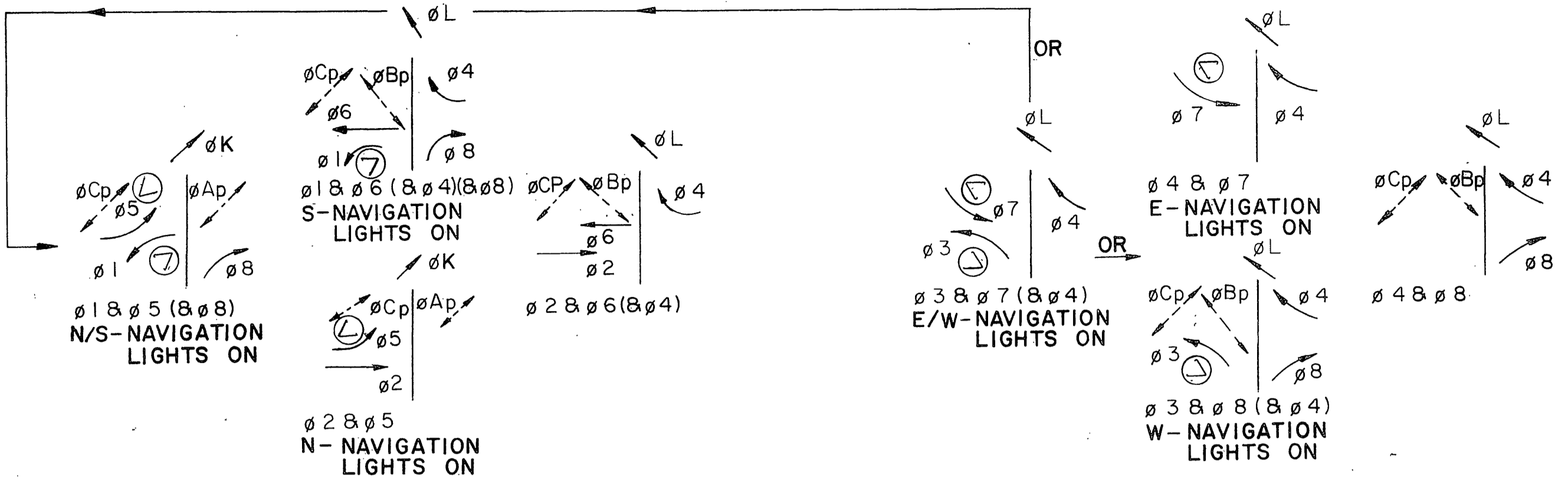
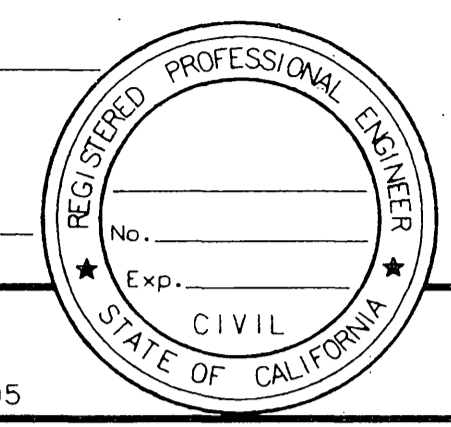
CURVE	LAMP TYPE (1000 WATT)	
	HIGH PRESSURE SODIUM (140,000 LUMENS)	METAL HALIDE (110,000 LUMENS)
A	FC	FC
B	FC	FC
C	FC	FC
D	FC	FC
E	FC	FC
F	FC	FC
G	FC	FC

**HIGH MAST LIGHTING DETAILS**

NO SCALE  
SHEET 3 OF 3

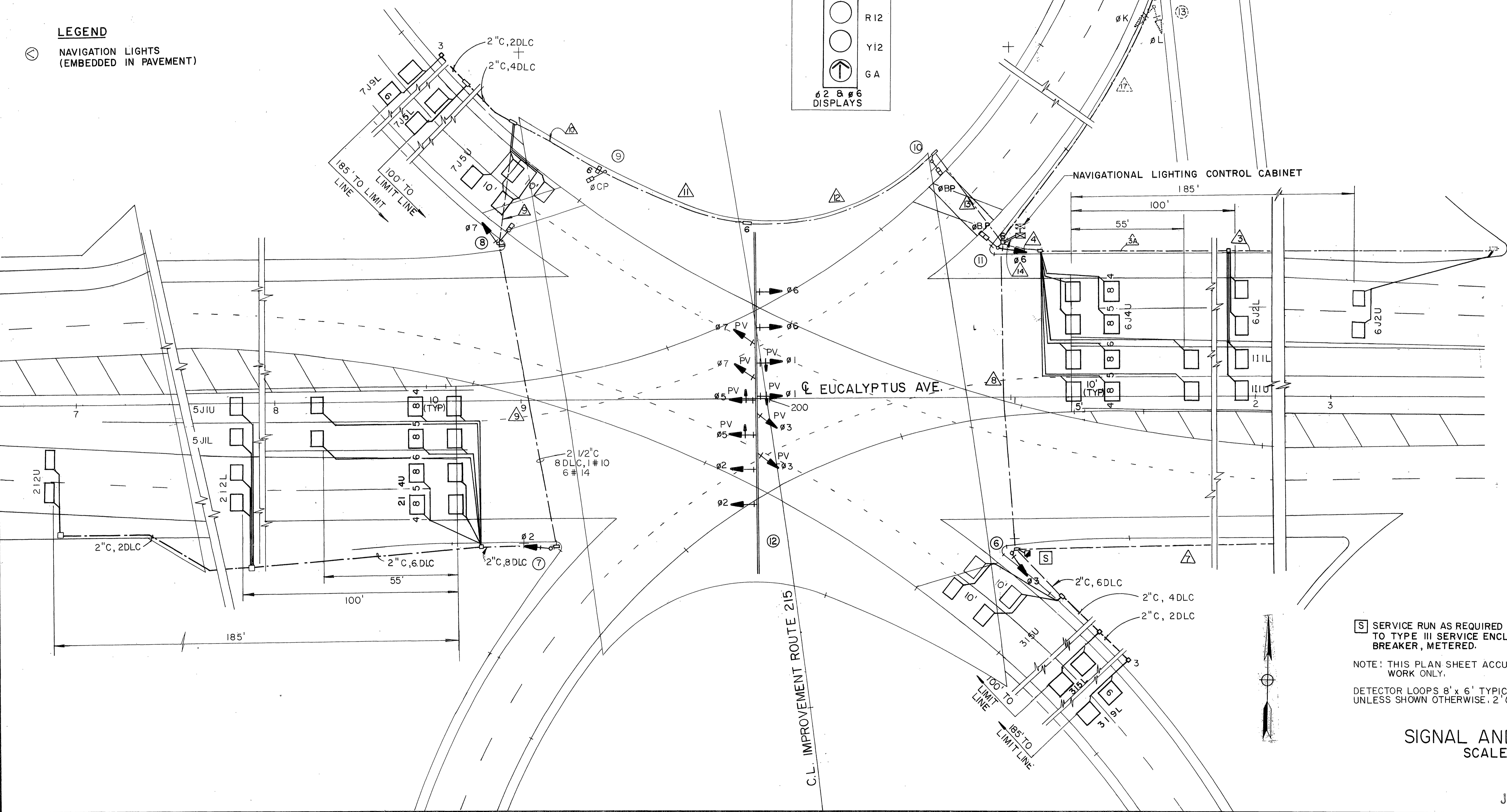
JUL 11 1989 R-3946

DIST	COUNTY	ROUTE	POST MILES TOTAL PROJECT	SHEET NO.	TOTAL SHEETS
8	RIV	215	342/R383		
REGISTERED CIVIL ENGINEER					
PLANS APPROVAL DATE					
<b>Greiner, Inc.</b> 1221 EAST DYER ROAD, Suite 100 SANTA ANA, CALIFORNIA 92705-5605					



DATE REVISIONS BY DATE REVISIONS BY  
 CALCULATED/DESIGNED BY CHECKED BY  
 PROJECT ENGINEER

STATE OF CALIFORNIA - DEPARTMENT OF TRANSPORTATION  
**St. Caltrans**





REVISOR  
DATE  
DESIGNED BY  
CHECKED BY

PROJECT ENGINEER

STATE OF CALIFORNIA - DEPARTMENT OF TRANSPORTATION



<SOCAL4>GDSCOMMON>CAL11.FGB Wnd: CAL11 06-JULY-88 14:57

CONDUCTOR SCHEDULE

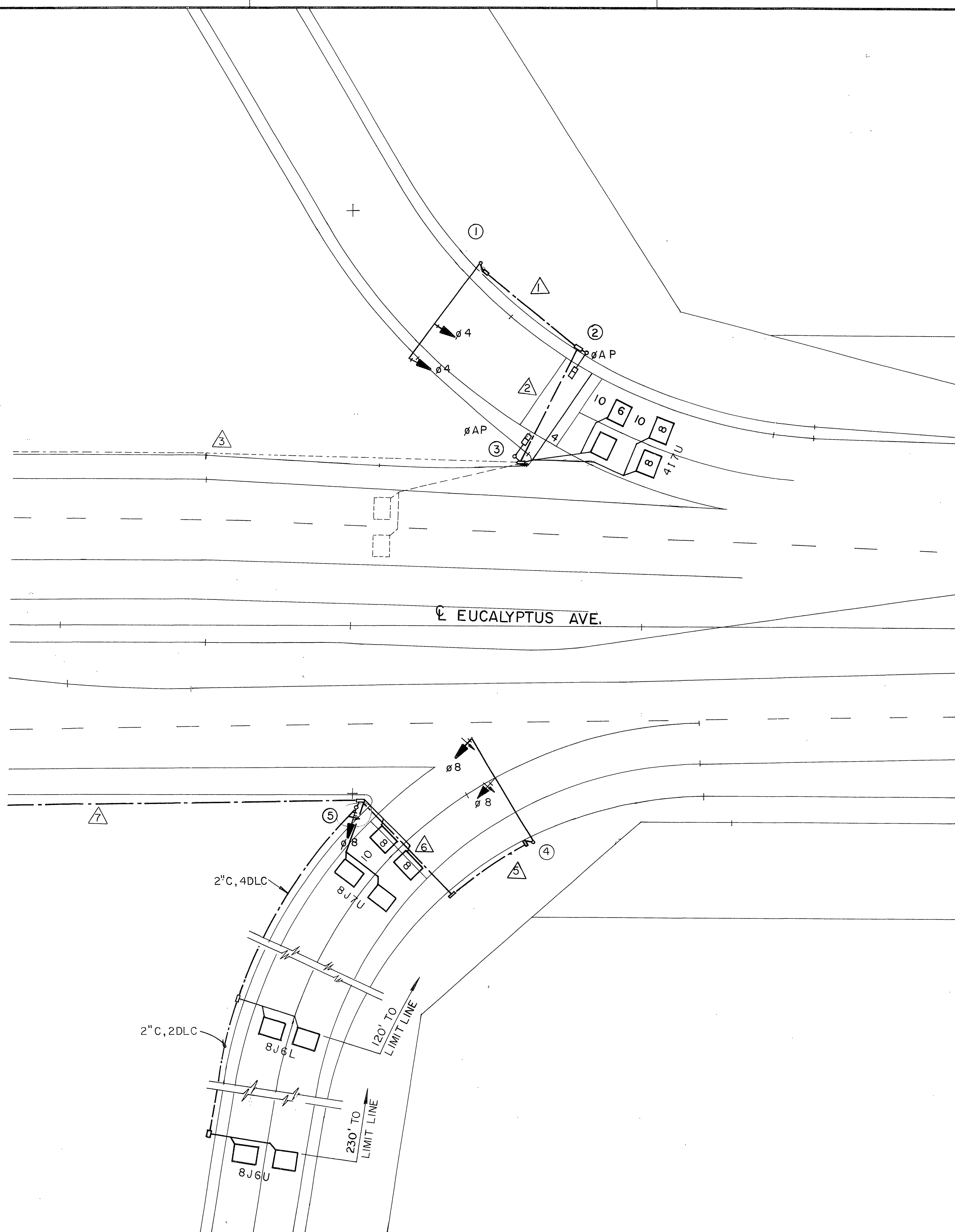
AWG	CIRCUIT	RUN NO.																
		1	2	3	4	5	6	7	8	9	10	11	12	13	14	15	16	17
Ø 1																		
Ø 2																		
Ø 3																		
Ø 4 (1)		3	3	3	3	3												
Ø 5																		
Ø 6																		
Ø 7																		
Ø 8 (2)																		
Ø AP (3)		2	2	2	2													
Ø BP (4)																		
Ø CP (5)																		
Ø A PPB		1	1	1	1													
Ø B PPB																		
Ø C PPB																		
PPB COMMON																		
SPARES		3	3	3	3	3	3	3	3	3	3	3	3	3	3	3	3	3
TOTAL		6	10	10	10	10	6	6	6	9	13	13	13	13	13	13	9	6
Ø K (6)																		
Ø L (7)																		

- (1) Ø 4 = (Ø 1 OR Ø 2 OR Ø 3 OR Ø 6 OR Ø 7 OR Ø 8) AND (Ø 4) AND (NOT Ø 5)
  - (2) Ø 8 = (Ø 1 OR Ø 3 OR Ø 4 OR Ø 5 OR Ø 6) AND (Ø 8) AND (NOT Ø 2 OR NOT Ø 7)
  - (3) Ø AP = (Ø 1 OR Ø 2 OR Ø 5 OR Ø 8) AND (NOT Ø 4)
  - (4) Ø BP = (Ø 1 OR Ø 2 OR Ø 3 OR Ø 4 OR Ø 6 OR Ø 8) & (NOT Ø 5 OR NOT Ø 7)
  - (5) Ø CP = (Ø 1 OR Ø 2 OR Ø 3 OR Ø 4 OR Ø 5 OR Ø 6 OR Ø 8) AND (NOT Ø 7)
  - (6) Ø K = GREEN SIMULTANEOUS WITH Ø 5 BUT YELLOW (OR RED) DELAYED 12 SECONDS AFTER Ø 5 START OF YELLOW (DELAY IS TO BE ADJUSTABLE 8-24 SECONDS).
  - (7) Ø L = YELLOW AT START OF Ø 5 GREEN, RETURN TO GREEN AT START OF Ø K RED.
- △ = FOR FUTURE USE. CONSTRUCT CONDUIT, PULLWIRE & PULL BOXES. CONDUCTORS TO BE INSTALLED BY OTHERS.

POLE SCHEDULE

N O.	STANDARD	ARMS	LUM.	PUSH BT.	SIGNAL MOUNTING	
	TYPE	HT.	SIG. LUM.	H.P.S.V.	TYP	PED.
1	27-3-80	17	40	-	MAS, MAS	-
2	IA	7	-	-	E	TP-I-T
3	IA	7	-	-	W	TP-I-T
4	27-3-80	17	40	-	MAS, MAS	-
5	IA	10	-	-	TV-I-T	-
6	15	30	-	-	SV-I-T*	-
7	IA	10	-	-	TV-I-T	-
8	15	30	-	-	SV-I-T*	SP-I-T
9	IA	7	-	-	E	TP-I-T
10	IA	7	-	-	W	TP-I-T
11	IA	10	-	-	E	TV-I-T
12	SPECIAL	-	-	-	I2 SPECIAL	-
13	15	30	-	-	SV-2-T*	-
14	23-3-80	30	35	-	MAS, MAS, SV-I-T	-
15	IA	10	-	-	SV-I-T	-

○ = FUTURE INSTALLATION; STANDARDS, ARMS, SIGNAL FACES & FOUNDATIONS BY OTHERS.



DIST	COUNTY	ROUTE	POST MILES TOTAL PROJECT	SHEET NO.	TOTAL SHEETS
8	RIV	215	342 / R382		

REGISTERED CIVIL ENGINEER

PLANS APPROVAL DATE

**Greiner, Inc.**  
1221 EAST DYER ROAD, Suite 100  
SANTA ANA, CALIFORNIA 92705-5605



NOTE: THIS PLAN SHEET ACCURATE FOR ELECTRICAL WORK ONLY.

SIGNAL AND LIGHTING  
SCALE: 1" = 20'  
JUL 11 1989 R-3946

FOR REDUCED PLANS ORIGINAL SCALE IS IN INCHES

CU EA RECEIVED

JUL 18 1989

DEPT. OF PUBLIC WORKS

INDEXED 6-21-06 471

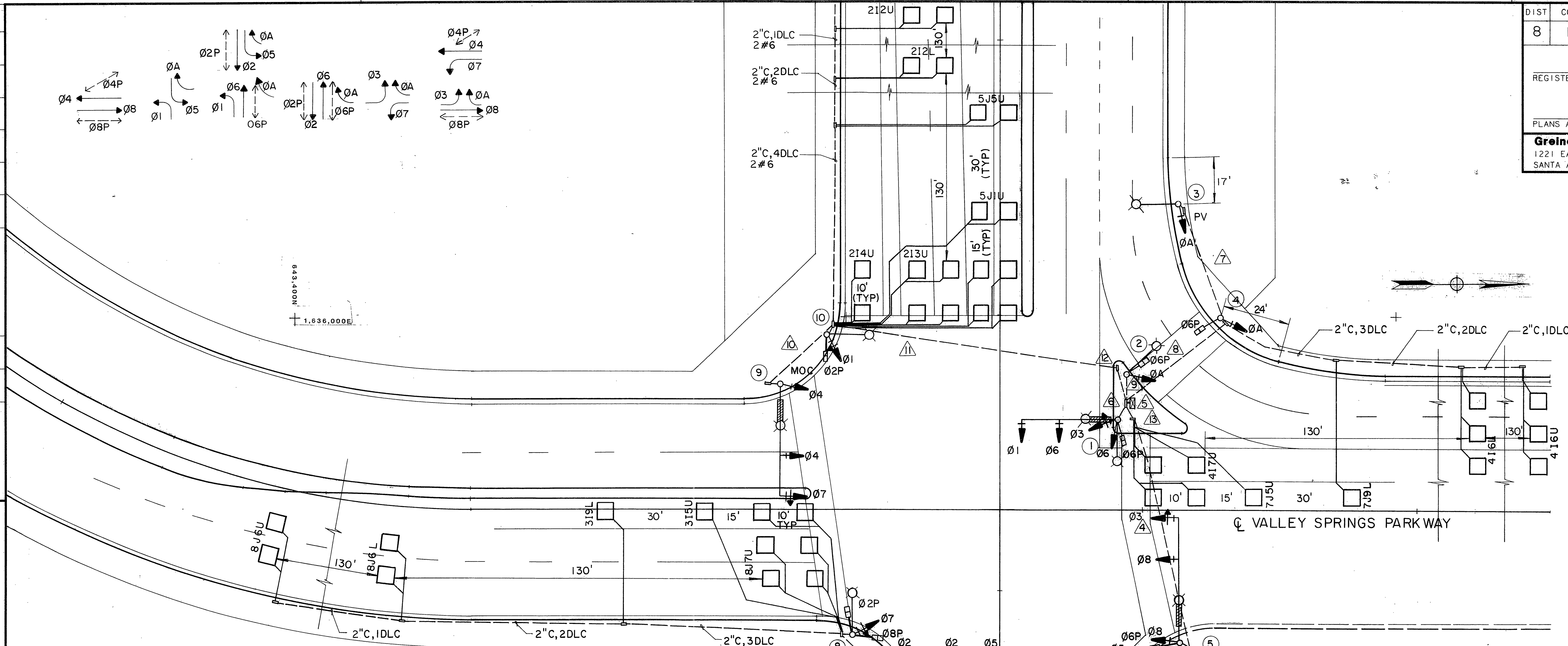
DIST	COUNTY	ROUTE	POST MILES TOTAL PROJECT	SHEET NO.	TOTAL SHEETS
8	RIV	215	347/R387		

REGISTERED CIVIL ENGINEER

PLANS APPROVAL DATE

**Greiner, Inc.**  
1221 EAST DYER ROAD, Suite 100  
SANTA ANA, CALIFORNIA 92705-5605

PROJECT ENGINEER  
 CALCULATED/DESIGNED BY  
 CHECKED BY  
 DATE  
 REVISED BY  
 DATE REVISED  
 STATE OF CALIFORNIA - DEPARTMENT OF TRANSPORTATION  
**Caltrans**



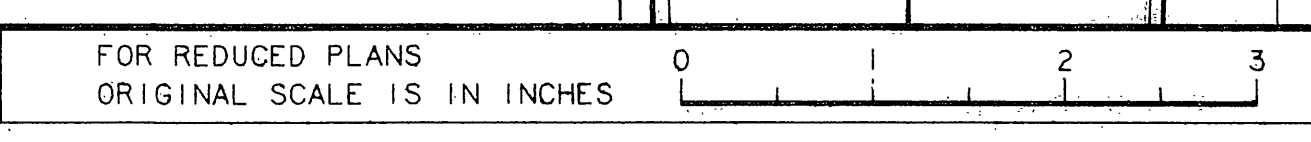
CONDUCTOR SCHEDULE		RUN N <sup>s</sup>													
AWG.	CIRCUIT	1	2	3	4	5	6	7	8	9	10	11	12	13	
	Ø1												3	3	6
	Ø2		3	3	3	3									3
	Ø3														6
	Ø4												3	3	3
	Ø5		3	3	3	3									3
	Ø6														3
	Ø7	3	3	3	3	3							3	3	6
	Ø8														3
	ØA												3	3	3
# 14	Ø2P	2	2	2	2	2							2	2	4
	Ø6P		2	2	2	2				2	2				4
	Ø8P	2	2	2	2	2									2
	Ø2PPB	1	1	1	1	1									1
	Ø6PPB														4
	Ø8PPB		1	1	1	1									1
	PPB COMMON	1	1	1	1	1									1
	SPARES	3	3	3	3	3	3	3	3	3	3	3	3	3	6
	TOTAL	12	19	21	28	28	16	6	10	10	11	16	16	57	
# 12	ISNS	-	2	2	2	2	-	-	-	-	-	2	2	6	
# 10	SIGN COMMON	1	1	1	1	1	1	1	1	1	1	1	1	5	
	LUMINAIRE	2	2	2	2	2	2	2	2	2	2	2	2	10	
	TOTAL	3	3	3	3	3	3	3	3	3	3	3	3	15	
# 6	SIGNAL SERV.													2	2
	Ø1			1	2	2									2
	Ø2												3	3	3
	Ø3	2	2	2	2	2									2
	Ø4									2					3
	Ø5												4	4	4
	Ø6				2	3	3								3
	Ø7														2
	Ø8	3	3	3	3	3									3
	TOTAL	5	5	8	10	12	-	-	3	-	-	7	7	22	
	CONDUIT SIZE	2 1/2	2 1/2	3	3	3 1/2	2	2	2	2	2	2	3	3	2 3/4

POLE SCHEDULE													
N O.	STANDARD TYPE	HT.	ARMS SIG. LUM.	LUM. H.P.S.V.	PUSH BT. TYPE Ø	QUD.	SIGNAL MOUNTING VEHICLE	PED.	I.S.N.S. MESSAGE	PLACEMENT A	B		
1	24-4-80	30	35	15	200	2	6	N	MAS, MAS, SV2T	SPIT	VALLEY SPRINGS	2.5	2.5
2	15	30	15	200	2	6	E	SVIT	SPIT			8	2.5
3	15	30	15	200				SVIT				17	2.5
4	1A	10			2	6	W	TVIT	SPIT			24	2.5
5	26-4-80	30	45	15	200	2	6	S	MAS, MAS, SVIT	SPIT	EUCALYPTUS	13	2.5
6	15	30	15	200	2	8	W	SVIT	SPIT			14	2.5
7	24-4-80	30	35	15	200	2	8	W	MAS, MAS, SVIT		VALLEY SPRINGS	13	2.5
8	15	30	15	200	2	2	S	SVIT	SP2T			13	2.5
9	26-4-80	30	40	15	200	2	2	N	MAS, MAS, SVIT		EUCALYPTUS	16	2.5
10	15	30	15	200				SVIT	SPIT			13	2.5

\* MOUNT @ 17' WIDTH.

NOTE: THIS PLAN ACCURATE FOR ELECTRICAL WORK ONLY.

EUCALYPTUS / VALLEY SPRINGS  
SCALE: 1" = 20'



JUL 11 1989 R-3946

RECEIVED  
JUL 18 1989  
DEPT OF PUBLIC WORKS

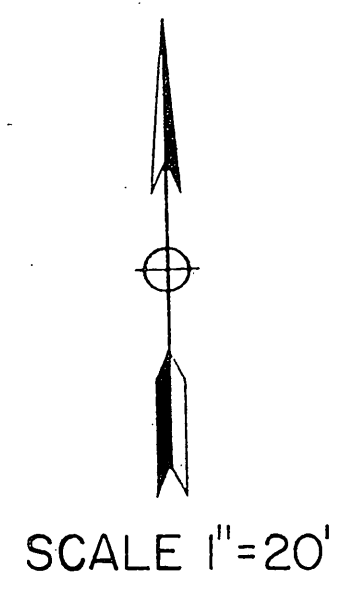
DIST	COUNTY	ROUTE	POST MILES TOTAL PROJECT	SHEET NO.	TOTAL SHEETS
8	RIV	215	342.12383		

REGISTERED CIVIL ENGINEER

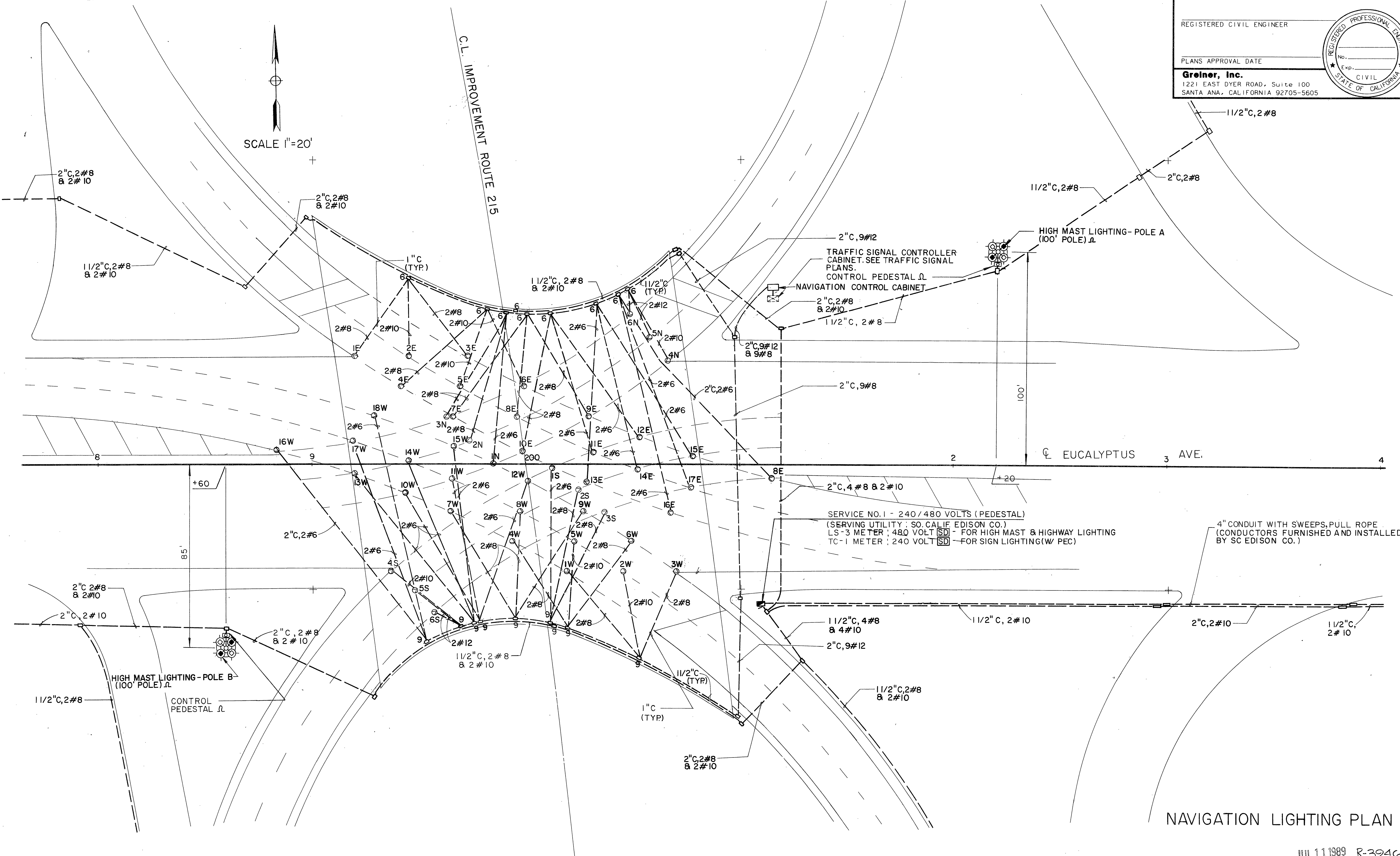
PLANS APPROVAL DATE

**Greiner, Inc.**  
1221 EAST DYER ROAD, Suite 100  
SANTA ANA, CALIFORNIA 92705-5605

NOTE: THIS PLAN ACCURATE FOR ELECTRICAL WORK ONLY.



C.L. IMPROVEMENT ROUTE 215



DATE	REVISOR	DATE	REVISION

DATE	DESIGNED BY	DATE	CHECKED BY

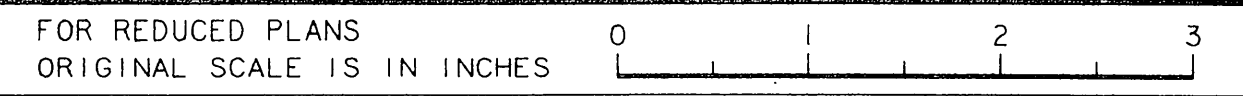
PROJECT ENGINEER

STATE OF CALIFORNIA - DEPARTMENT OF TRANSPORTATION

NAVIGATION LIGHTING PLAN

JUL 11 1989 R-3946

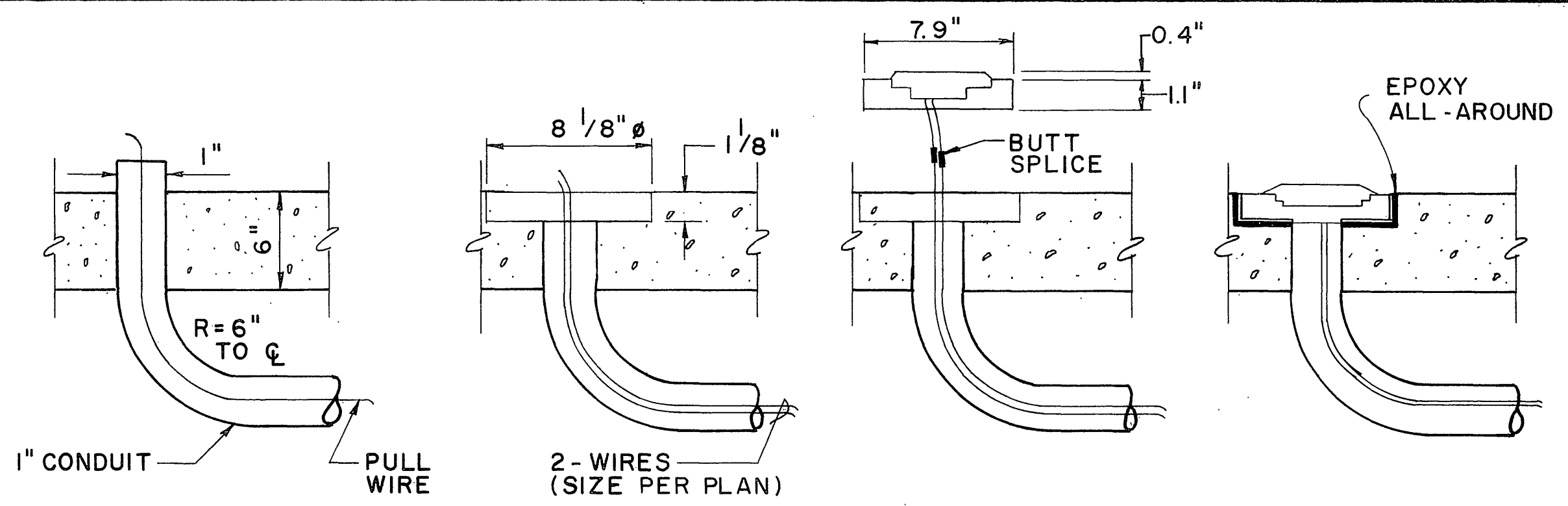
<S0CAL4>GDSCOMMON>CALTI.FGB Wnd: CALTI 06-JULY-88 14:57



CU EA RECEIVED JUL 18 1989

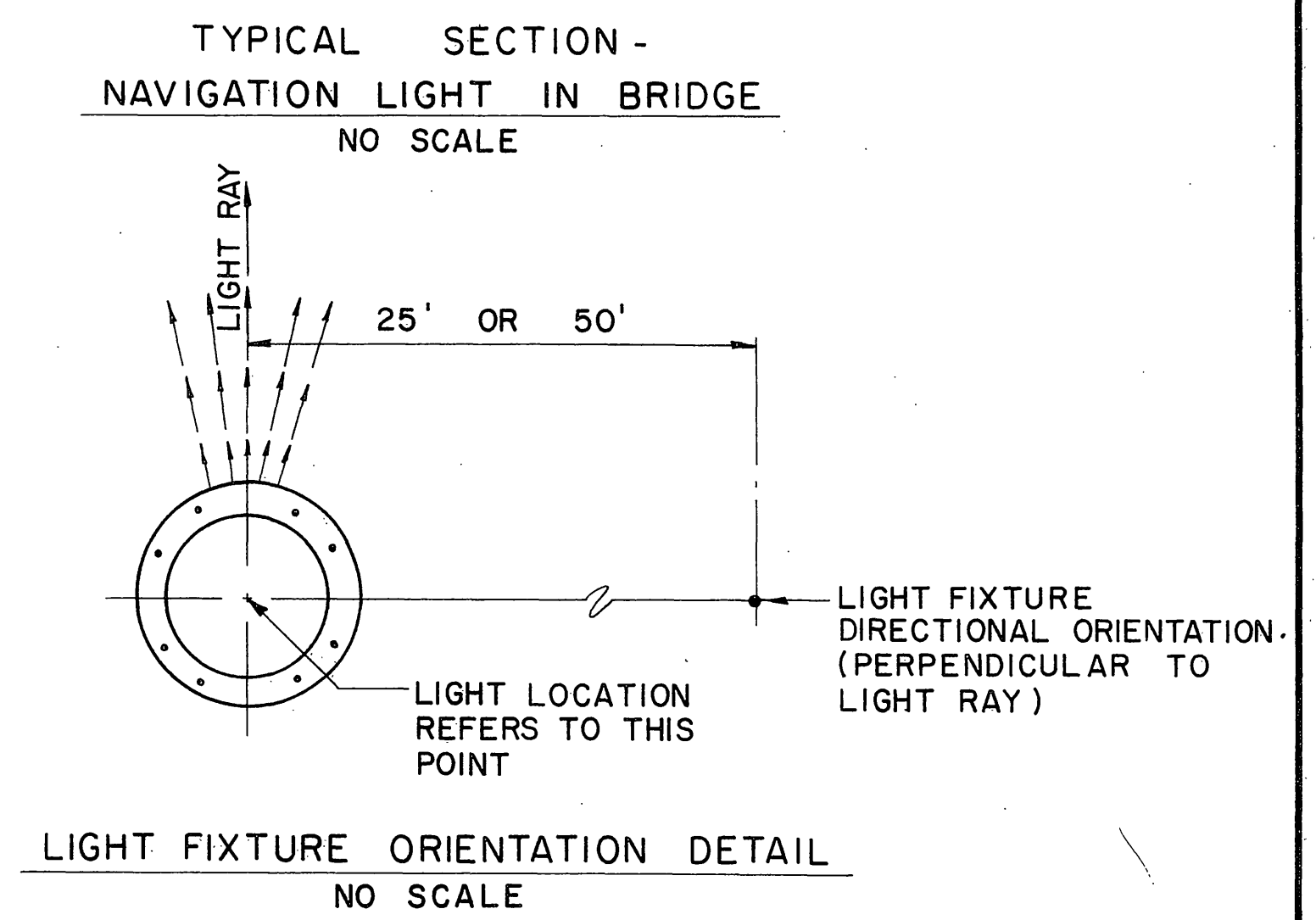
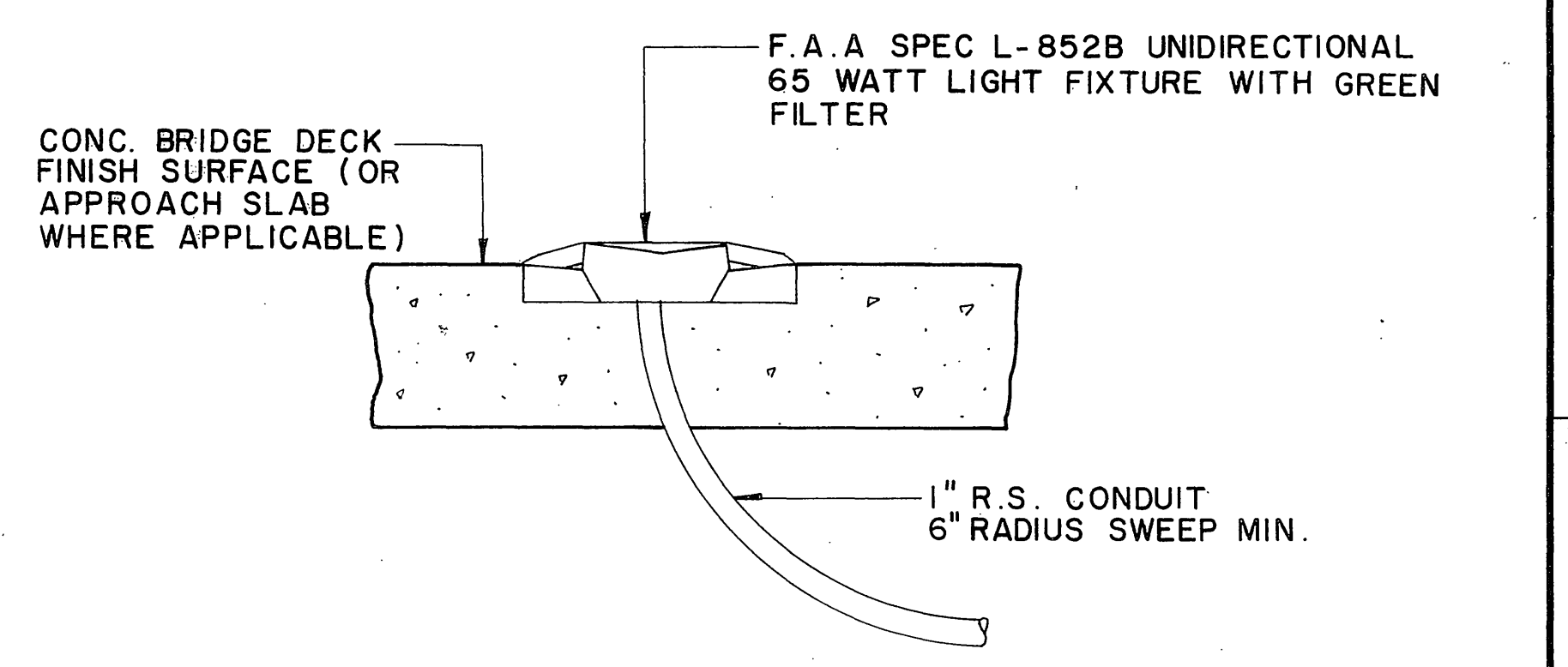
TABULATION OF NAVIGATION LIGHTS

LIGHT NO.	LIGHT LOCATION		BEAM TARGET LOCATION POINT	
	EUCALYPTUS AVE. STATION	OFFSET	EUCALYPTUS AVE. STATION	OFFSET
1 N	199 + 84.51	R 0.01'	199+77.72	L49.53'
2 N	199 + 74.00	L10.95'	199+64.56	L60.05'
3 N	199 + 63.40	L22.00'	199+50.67	L70.35'
4 N	200 + 66.53	L48.00'	200+55.25	L70.31'
5 N	200 + 57.70	L58.87'	200+44.51	L80.10'
6 N	200 + 48.88	L69.74'	200+42.87	L77.73'
1 S	200 + 13.03	R 1.41'	200+20.48	R50.85'
2 S	200 + 24.85	R11.63'	200+34.66	R60.66'
3 S	200 + 36.83	R22.00'	200+49.60	R70.34'
4 S	199 + 39.40	R48.00'	199+51.21	R70.03'
5 S	199 + 48.61	R58.54'	199+62.29	R79.46'
6 S	199 + 57.83	R69.07'	199+64.01	R76.94'
1 E	199 + 20.04	L50.00'	199+37.63	L67.77'
2 E	199 + 45.65	L50.00'	199+60.55	L70.07'
3 E	199 + 72.94	L50.00'	199+84.82	L72.00'
4 E	199 + 41.65	L36.00'	199+74.65	L73.57'
5 E	199 + 69.26	L36.00'	199+82.96	L56.92'
6 E	199 + 99.16	L36.00'	200+09.76	L58.64'
7 E	199 + 65.63	L22.00'	199+96.44	L61.38'
8 E	199 + 95.88	L22.00'	200+20.90	L65.29'
9 E	200 + 29.44	L22.00'	200+47.85	L68.49'
10 E	199 + 97.70	L 5.57'	200+25.95	L46.83'
11 E	200 + 31.43	L 6.00'	200+53.40	L50.92'
12 E	200 + 53.17	L12.54'	200+69.39	L59.83'
13 E	200 + 28.69	R 8.00'	200+54.48	L34.84'
14 E	200 + 52.54	R 2.15'	200+72.69	L43.61'
15 E	200 + 78.47	L 3.82'	200+92.38	L51.84'
16 E	200 + 67.28	R22.00'	200+89.96	L22.56'
17 E	200 + 77.60	R10.58'	200+95.58	L36.07'
18 E	201 + 14.34	R 6.25'	201+24.96	L42.60'
1 W	200 + 19.26	R50.00'	200+06.89	R71.73'
2 W	200 + 45.63	R50.00'	200+30.45	R69.86'
3 W	200 + 70.41	R50.00'	200+52.73	R67.68'
4 W	199 + 94.21	R36.00'	199+83.09	R58.39'
5 W	200 + 23.09	R36.00'	200+08.93	R56.60'
6 W	200 + 49.79	R36.00'	200+16.21	R73.04'
7 W	199 + 65.23	R22.00'	199+45.85	R68.09'
8 W	199 + 97.62	R22.00'	199+71.64	R64.72'
9 W	200 + 26.86	R22.00'	199+95.17	R60.67'
10 W	199 + 43.71	R13.01'	199+35.08	R36.48'
11 W	199 + 65.50	R 6.83'	199+42.46	R51.21'
12 W	200 + 00.99	R 8.00'	199+71.46	R48.35'
13 W	199 + 20.40	R 4.55'	199+12.93	R28.40'
14 W	199 + 44.60	L 1.65'	199+23.49	R43.68'
15 W	199 + 66.10	L 8.12'	199+39.53	R34.23'
16 W	198 + 83.37	L 6.35'	198+72.07	R42.36'
17 W	199 + 19.55	L10.47'	199+00.77	R35.86'
18 W	199 + 29.30	L22.00'	199+05.89	R22.18'



- STEP I**
- CAST PULLBOXES IN RAILS & 1" CONDUIT IN BRIDGE DECK W/6" R (MIN.) "DAY-LIGHTED" @ LIGHT LOCATIONS.
  - AFTER BRIDGE FORMS ARE STRIPPED, SAW OFF EXCESS CONDUIT @ LEVEL OF BRIDGE DECK FINISH SURFACE.
- STEP II**
- CORE 1/8" HOLE @ EACH CONDUIT STUB 1/8" DEEP. CORE THRU CONDUIT ALSO.
  - CLEAN OFF CONDUIT END.
  - PULL WIRES FROM PULLBOX IN RAIL TO EACH LIGHTS CONDUIT STUB-OUT.
- STEP III**
- CONNECT WIRES TO WIRES FROM FIXTURE W/ BUTT SPLICE.
- STEP IV**
- GUIDE WIRES BACK INTO CONDUIT & SET PAVEMENT LIGHT FIXTURE INTO CORED HOLE W/JIG TO SET PROPER ORIENTATION & HEIGHT. (SEE ORIENTATION DETAIL.)
  - TAKE PRECAUTIONS TO COVER LIGHT SO THAT TOP AND EDGES DO NOT GET EPOXY ON THEM.
  - PUMP IN EPOXY TO AFFIX LIGHT IN PAVEMENT.

DESCRIPTION	NUMBER REQUIRED
LOAD CENTER: 1-PHASE-3W 120/240 VAC, 100A. MAIN LUGS	1 EA.
MAIN CIRCUIT BREAKER, 60A 120/240 VAC, 2-POLE	1 EA.
BRANCH CIRCUIT BREAKER, 20A 120/240 VAC, 1-POLE	5 EA.
CONTROL CABINET	1 EA.
TERMINAL STRIP 20A, 300 V. (POINTS AS REQUIRED)	-
CABLE - NO. 12 AWG - THWN	1,400 L.F.
GREEN GROUND NO. 12 TW	3,700 L.F.
CABLE - NO. 10 THWN	600 L.F.
CABLE - NO. 8 THWN	4,700 L.F.
CABLE - NO. 6 THWN	3,600 L.F.
F.A.A. L-852 LIGHT FIXTURE 65 WATT LAMP GREEN FILTER	50 EA.
SPECIAL TRANSFORMER 65 WATT 120-9 VOLTS	50 EA.
2" CONDUIT	270 L.F.
1 1/2" CONDUIT	300 L.F.
1" CONDUIT - RIGID STEEL	3,000 L.F.
PULL BOX - TYPE 9	8 EA.
PULL BOX - TYPE 5	4 EA.
PULL BOX TYPE 6	8 EA.



NAVIGATION LIGHTING DETAILS  
NO SCALE  
SHEET 1 OF 2

DIST 8 COUNTY RIV ROUTE 215 POST MILES TOTAL PROJECT 349/1383/ SHEET NO. TOTAL SHEETS

REGISTERED CIVIL ENGINEER

PLANS APPROVAL DATE

**Groiner, Inc.**  
1221 EAST DYER ROAD, Suite 100  
SANTA ANA, CALIFORNIA 92705-5605

REGISTERED PROFESSIONAL ENGINEER  
No. Exp. CIVIL STATE OF CALIFORNIA

REVISOR BY DATE DATE REVISOR BY DATE

CALCULATED/DESIGNED BY CHECKED BY

PROJECT ENGINEER

STATE OF CALIFORNIA - DEPARTMENT OF TRANSPORTATION  
**Caltrans**

WIRE SIZE TABLE	
DIST. BTWN. PULLBOX & LIGHT	WIRE SIZE
UP TO 25'	NO. 12 AWG
30' TO 40'	NO. 10 AWG
45' TO 65'	NO. 8 AWG
70' TO 115'	NO. 6 AWG

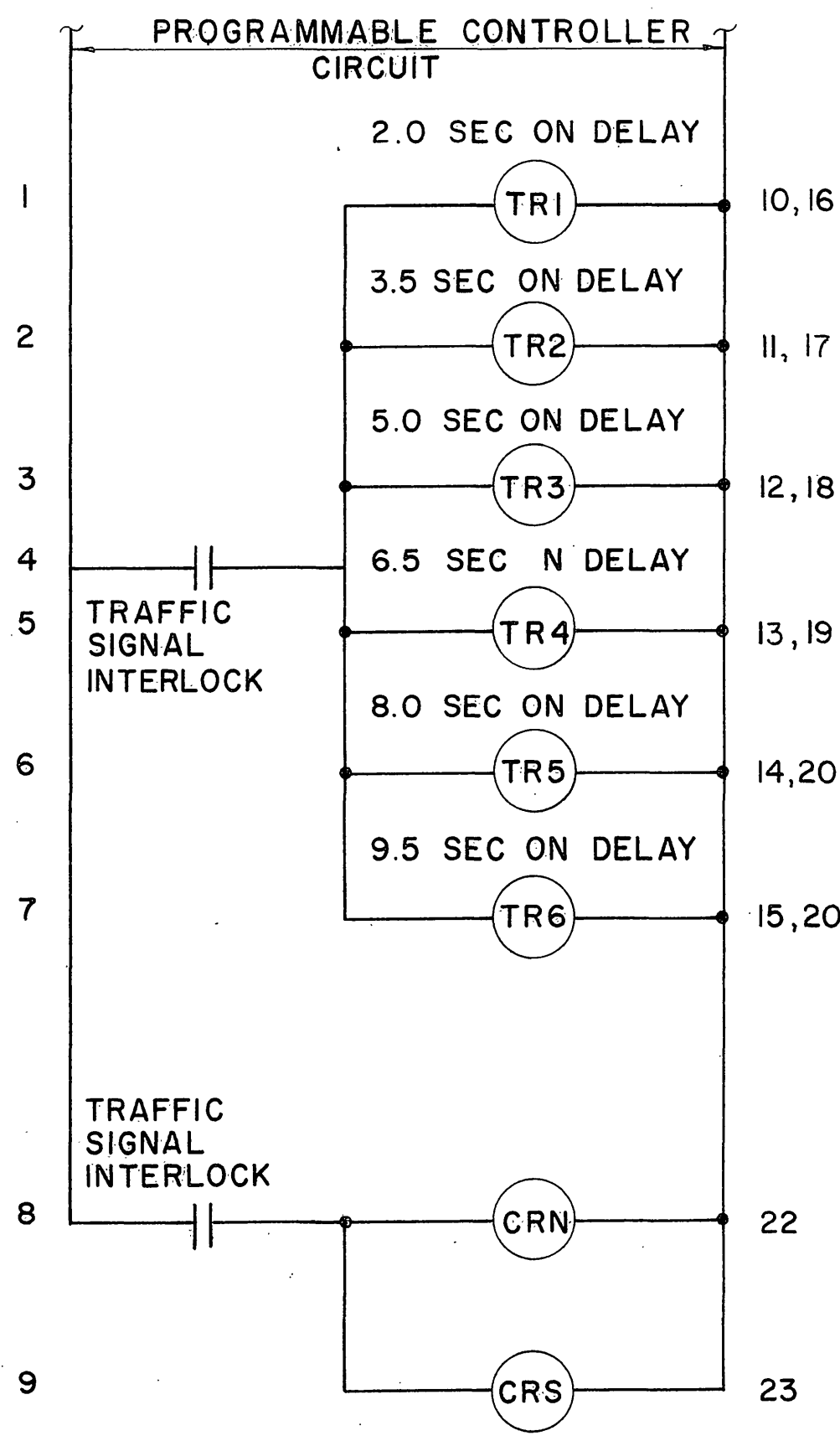
DIST	COUNTY	ROUTE	POST MILES TOTAL PROJECT	SHEET NO.	TOTAL SHEETS
8	RIV	215	34 1/2 / R383		

REGISTERED CIVIL ENGINEER

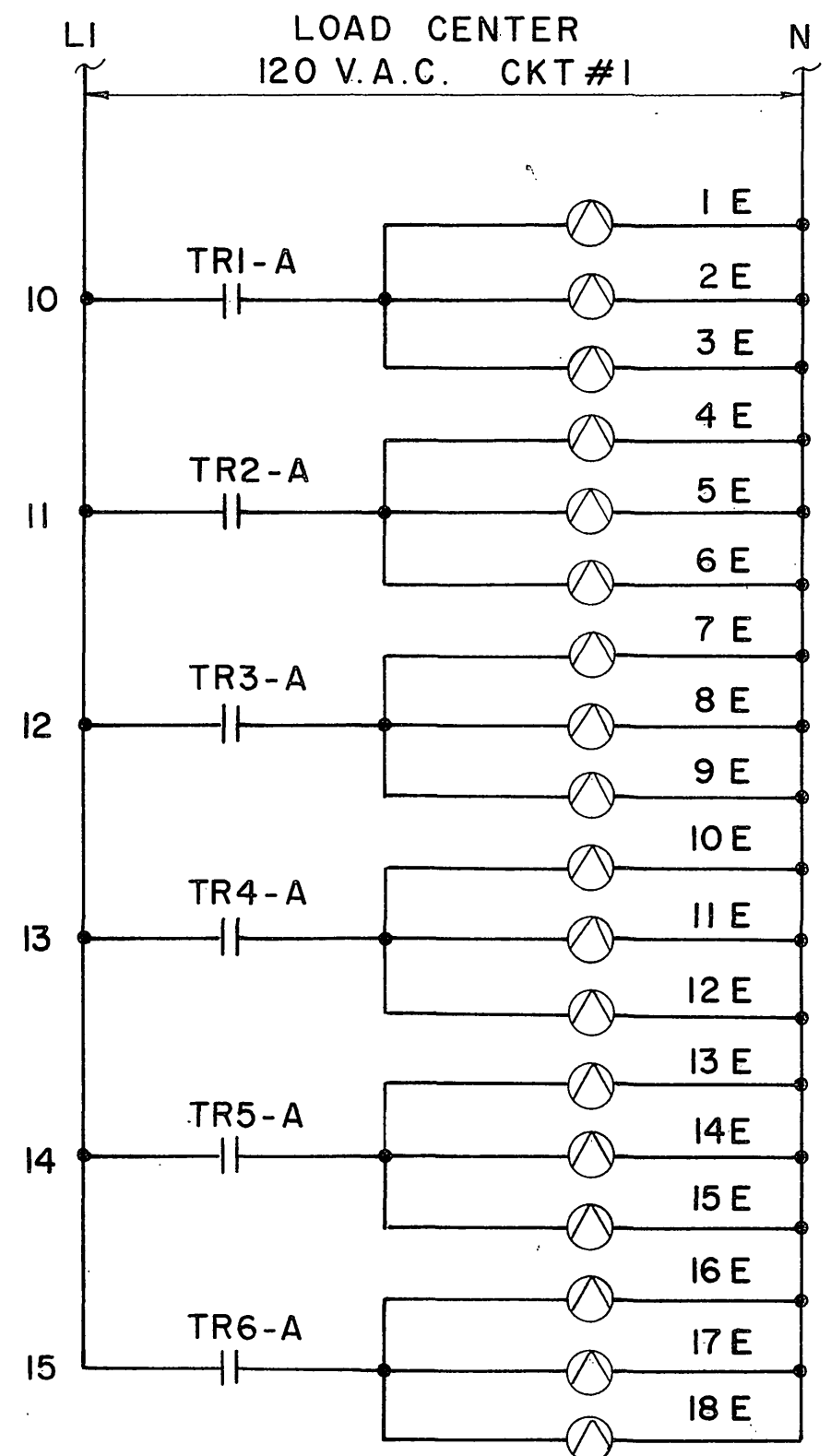
PLANS APPROVAL DATE

**Greiner, Inc.**  
1221 EAST DYER ROAD, Suite 100  
SANTA ANA, CALIFORNIA 92705-5605

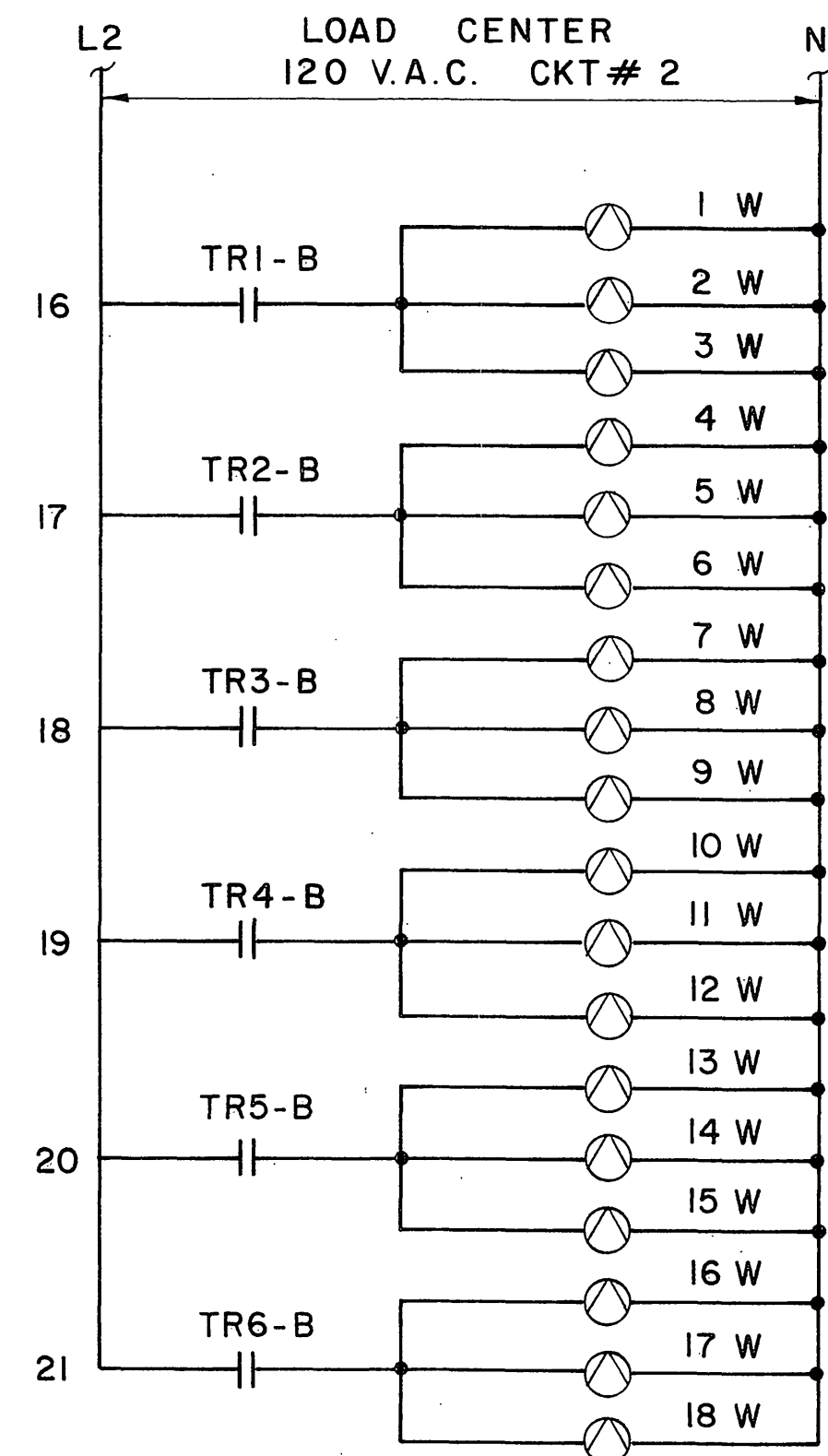
PROJECT ENGINEER  
 CALCULATED/DESIGNED BY  
 CHECKED BY  
 DATE  
 REVISIONS  
 REVISION BY  
 DATE REVISION  
 STATE OF CALIFORNIA - DEPARTMENT OF TRANSPORTATION  
**et Caltrans**



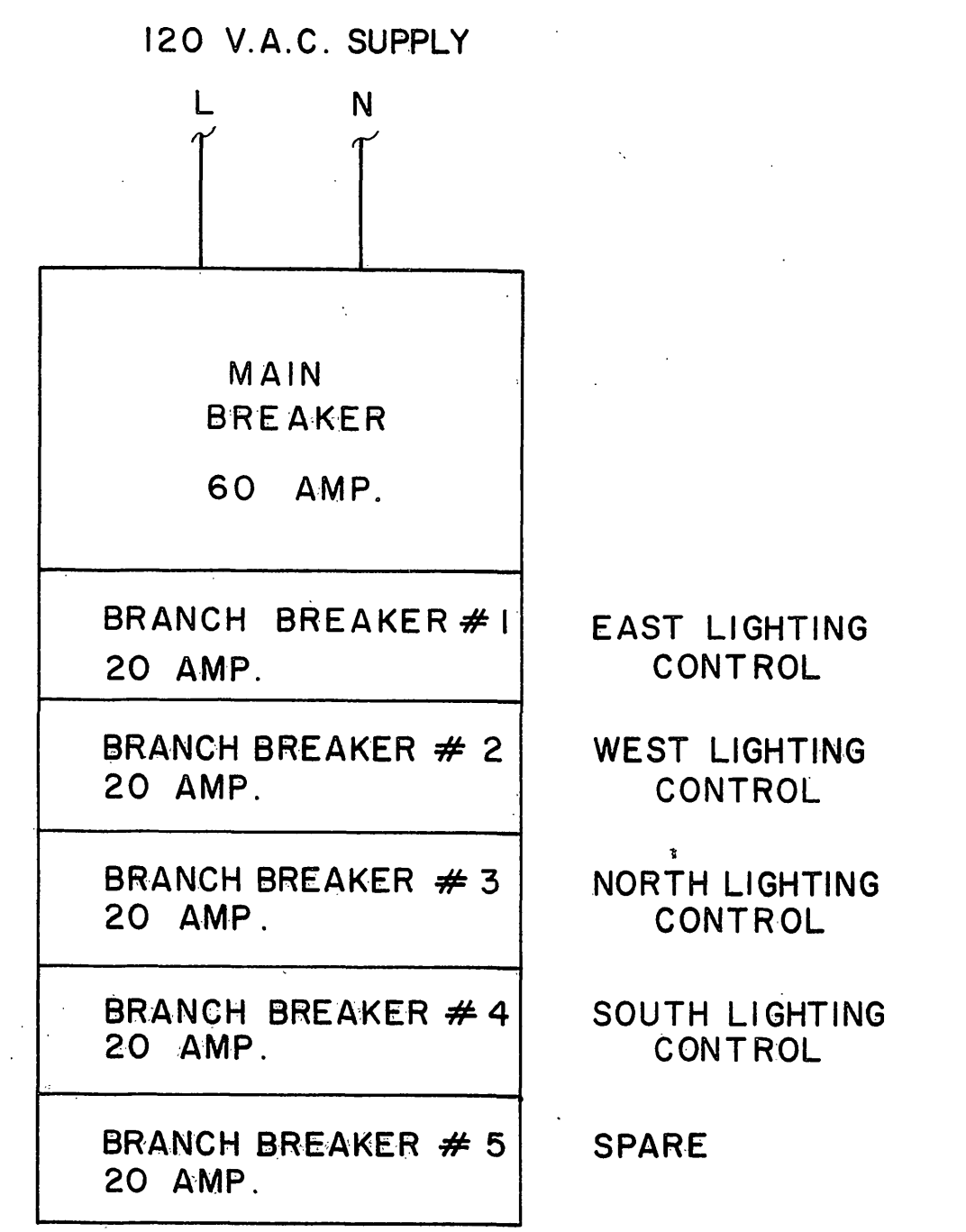
CONTROL RELAYS



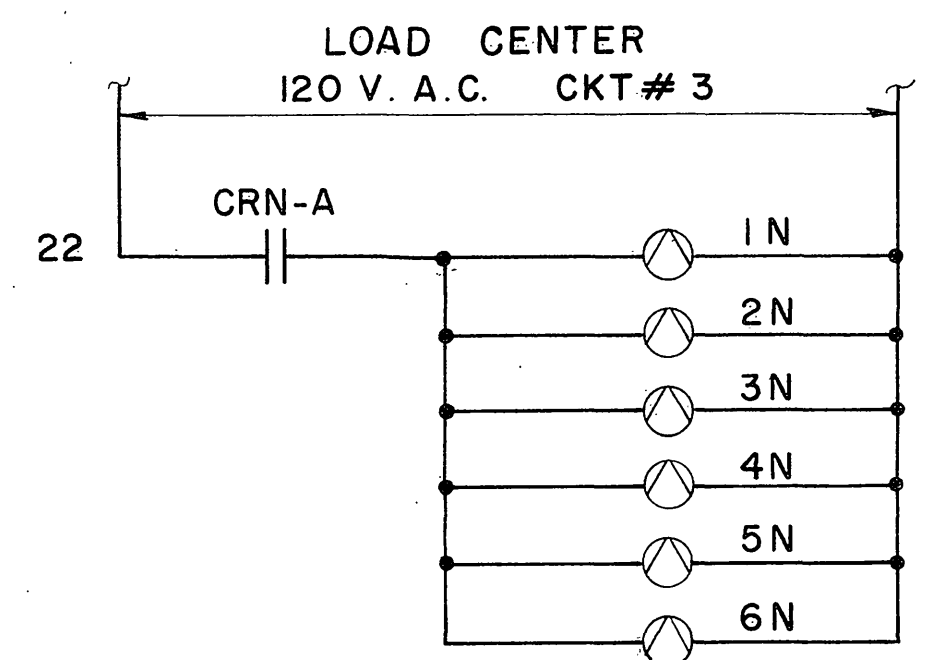
EAST LIGHTING CONTROL



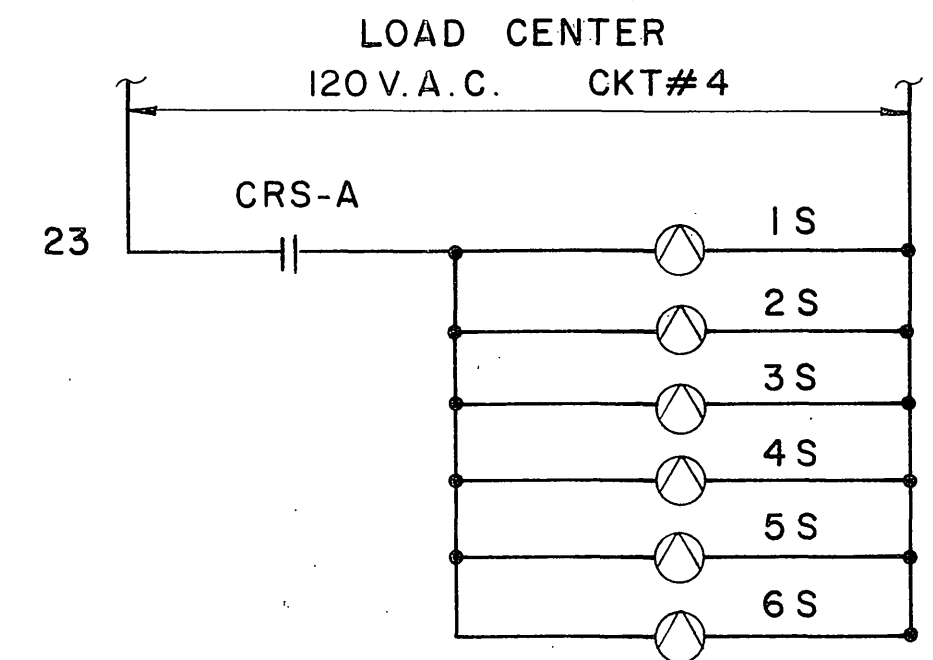
WEST LIGHTING CONTROL



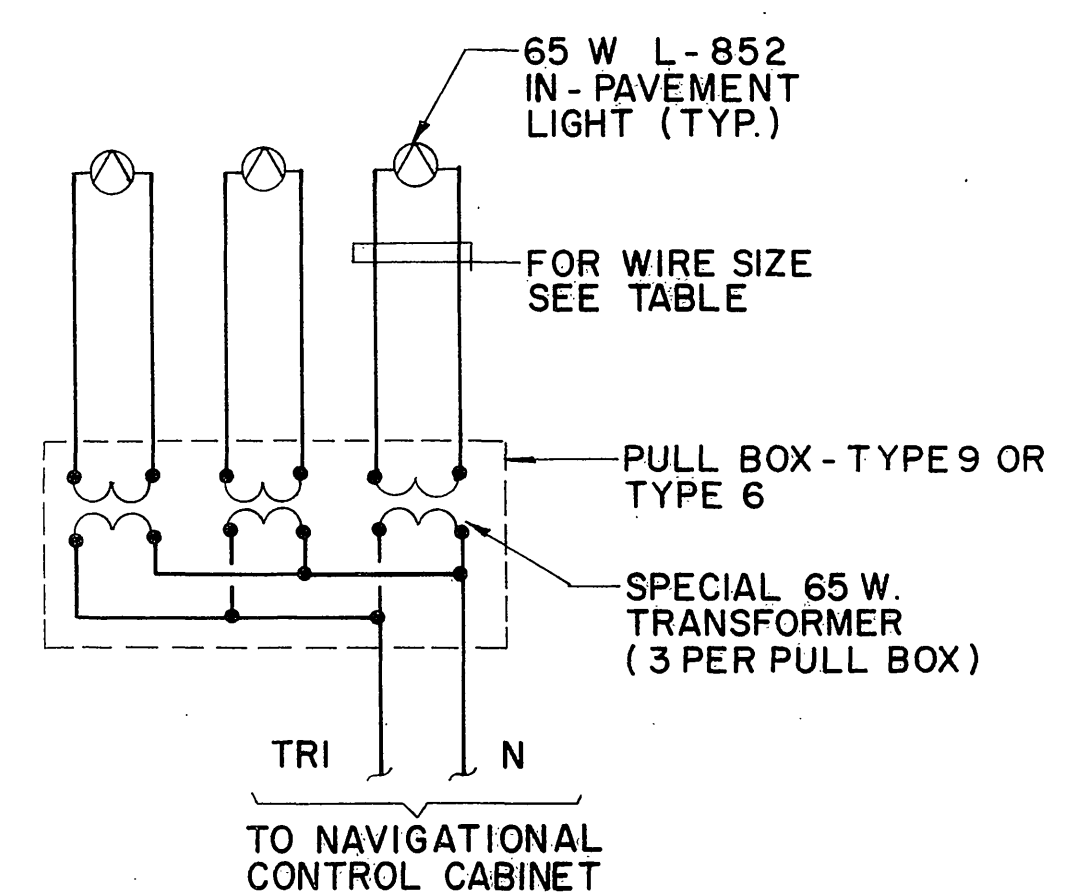
LOAD CENTER



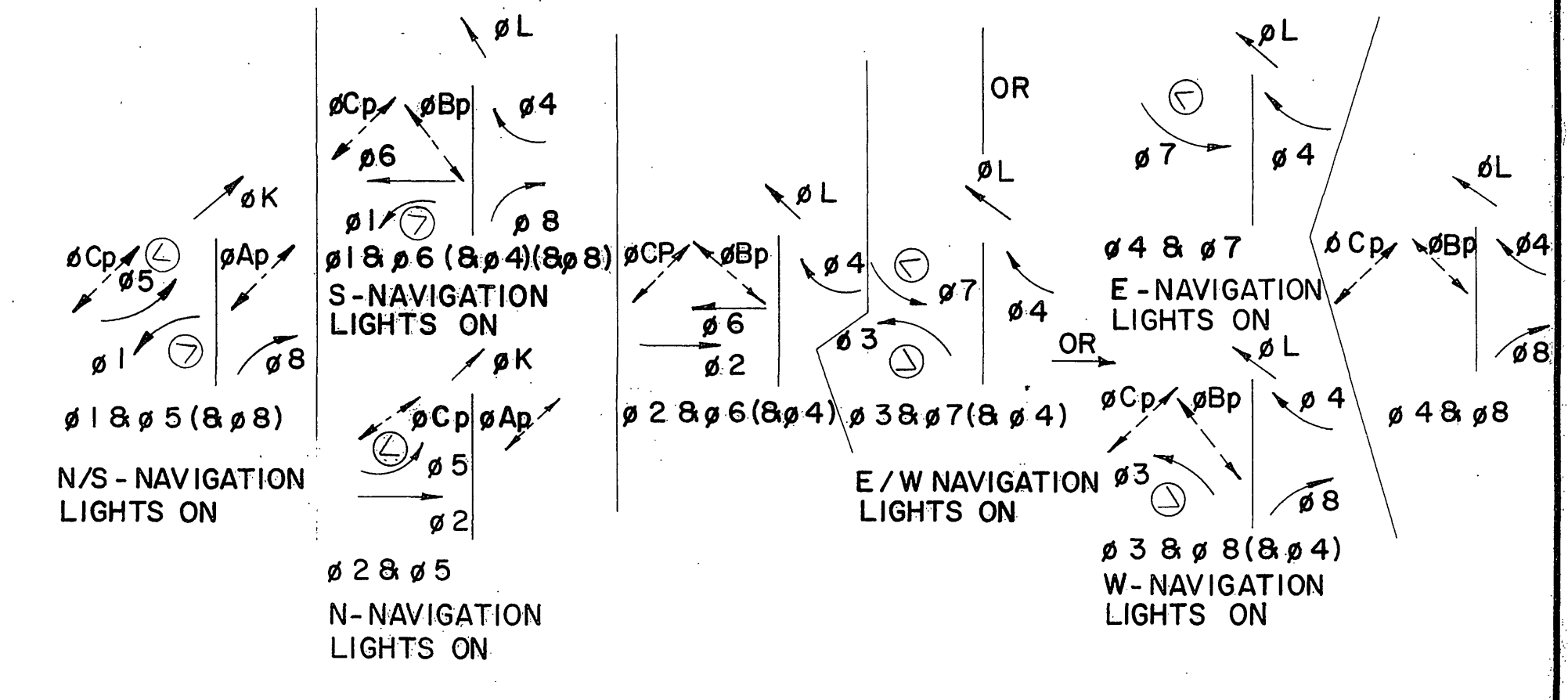
NORTH LIGHTING CONTROL



SOUTH LIGHTING CONTROL



TYPICAL TRANSFORMER CONNECTIONS



SIGNAL AND PAVEMENT LIGHTING SEQUENCE

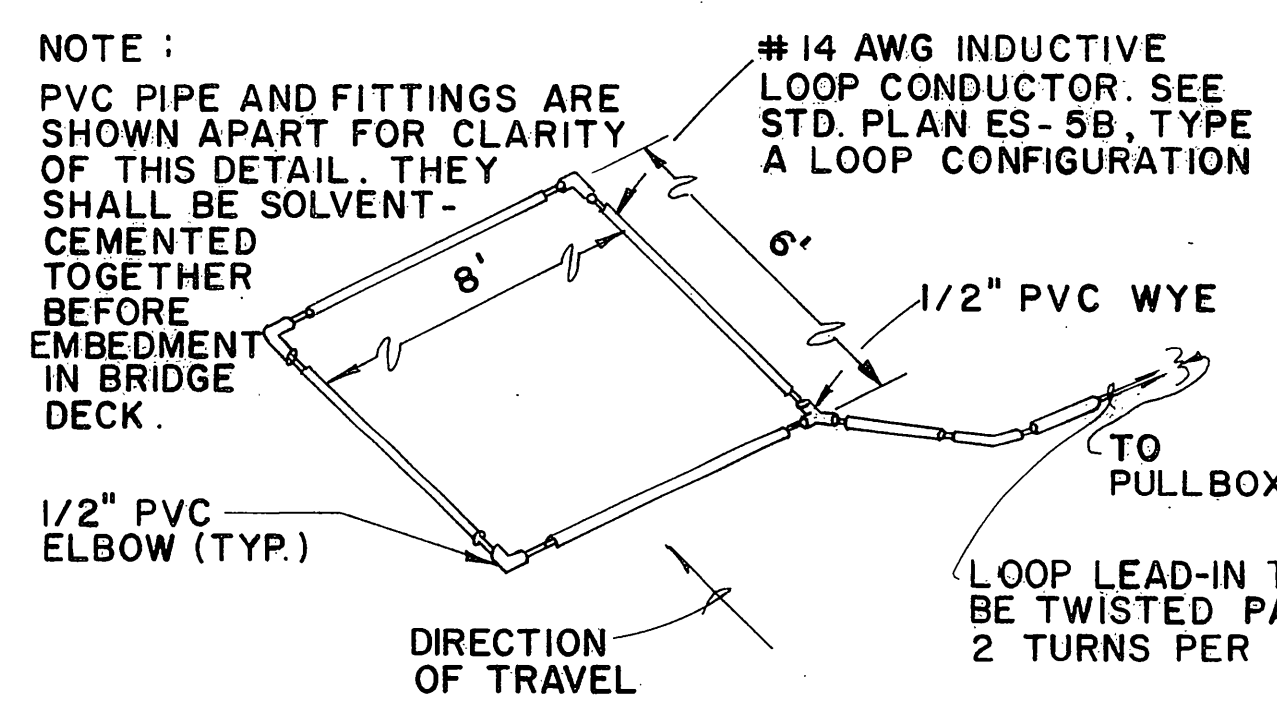
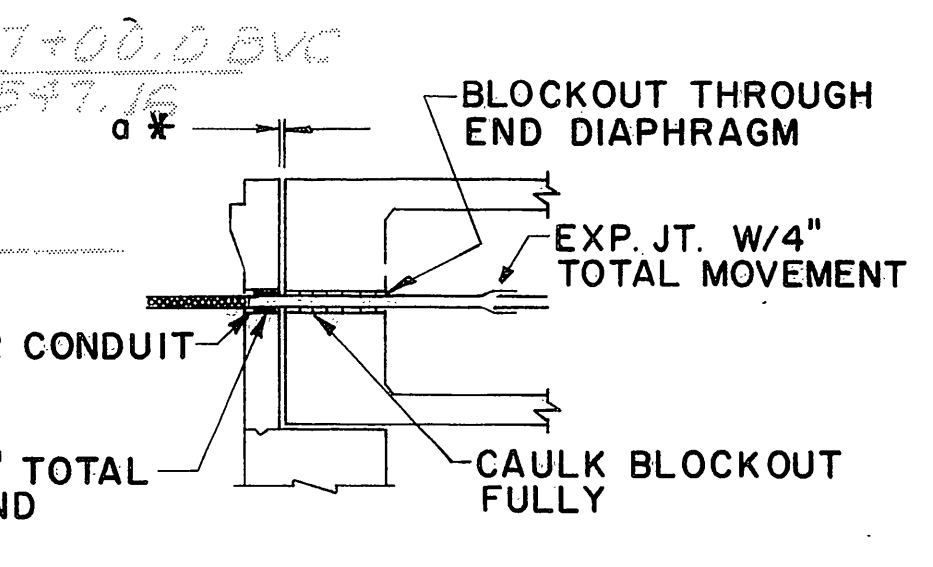
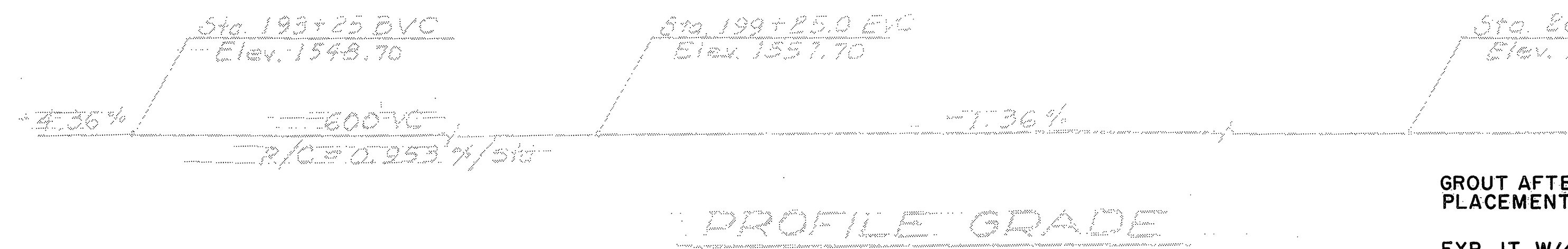
NAVIGATION LIGHTING DETAILS

NO SCALE  
SHEET 2 OF 2

JUL 11 1989 R-3946

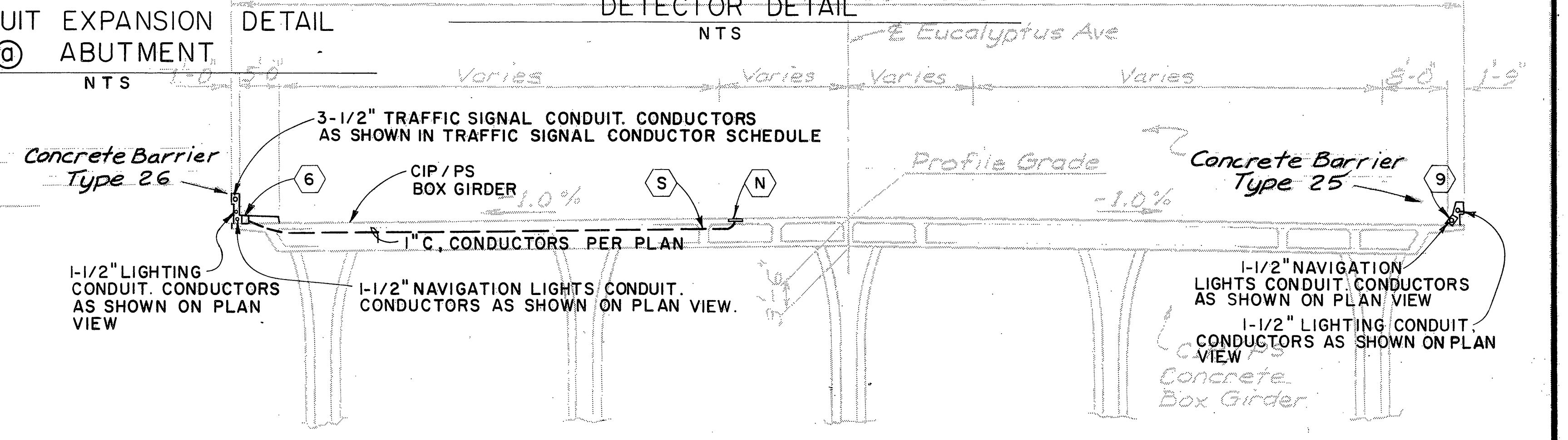
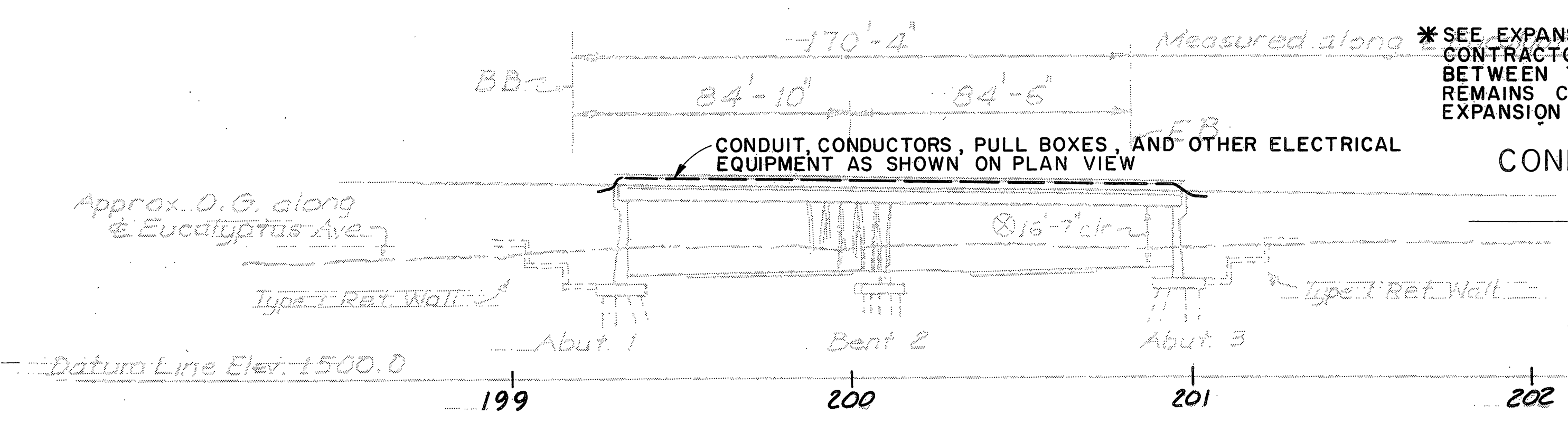
DIST.	COUNTY	ROUTE	POST MILES TOTAL PROJECT	SHEET NO.	TOTAL SHEETS
08	RIV.	215	34.9/19383		

REGISTERED CIVIL ENGINEER  
 PLANS APPROVAL DATE  
 PROFESSIONAL ENGINEER  
 No. \_\_\_\_\_  
 Exp. \_\_\_\_\_  
 CIVIL  
 STATE OF CALIFORNIA

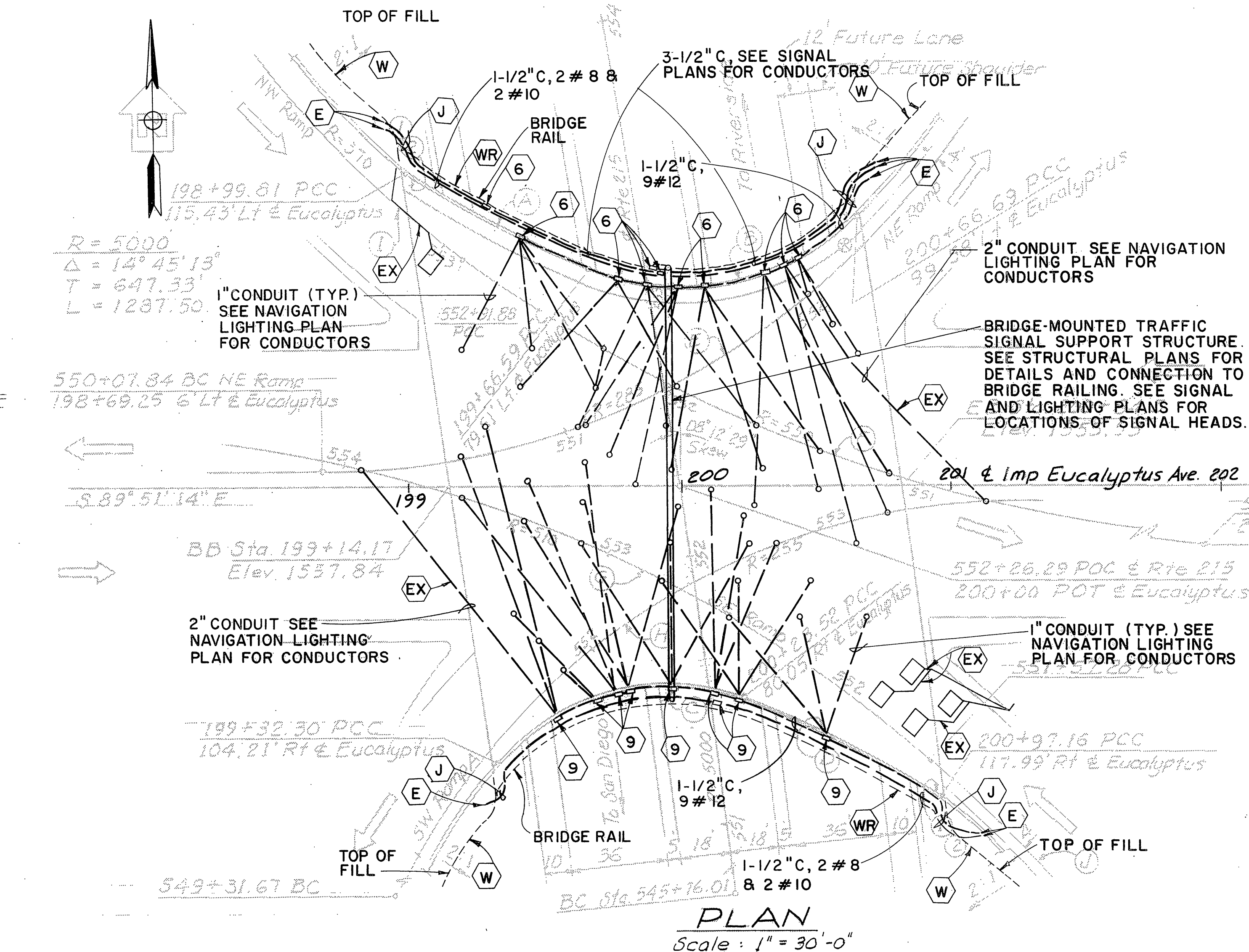


\* SEE EXPANSION JOINT DWG. FOR DIMENSION "a". THE CONTRACTOR SHALL ENSURE THAT THE OPENING BETWEEN THE BACKWALL AND THE BOX GIRDER REMAINS CLEAR OF OBSTRUCTIONS TO ALLOW PROPER EXPANSION OF THE STRUCTURE.

TYPICAL TYPE A INDUCTIVE LOOP DETECTOR DETAIL

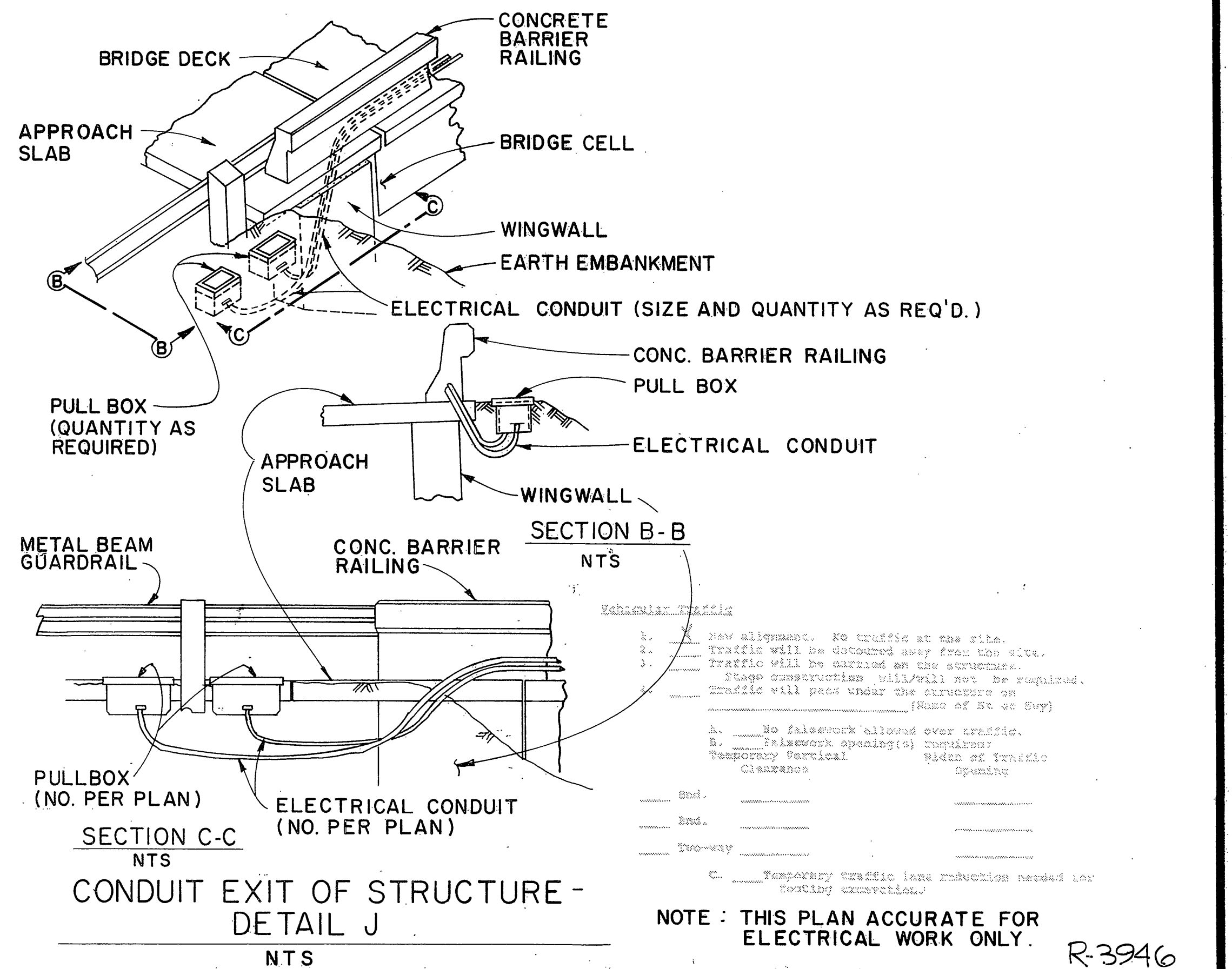


TYPICAL SECTION Scale: 3/32" = 1'-0"



No.	R	Δ	L	T
A	430	10° 07' 00"	75.92	38.06
B	90	69° 06' 02"	108.54	81.97
C	20	72° 17' 13"	100.93	38.43
D	400	11° 53' 73"	82.99	41.64
E	285	120° 38' 31"	600.10	500.08
F	550	34° 49' 05"	334.23	172.45
G	510	41° 11' 04"	336.59	191.62
H	255	98° 54' 05"	440.17	298.05
I	370	48° 31' 28"	313.36	166.77
J	340	57° 50' 17"	343.22	187.84

- LEGEND FOR STRUCTURE ELECTRICAL PLANS
- RIGID METAL ELECTRICAL CONDUIT, SIZE AS INDICATED, NUMBER AND GAGE OF CONDUCTORS AS INDICATED.
  - 6 NO. 6 PULL BOX.
  - EX CONDUIT EXPANSION DETAIL AT BOX GIRDER/ABUTMENT INTERFACE. SEE DTL. THIS SHEET.
  - E FOR CONTINUATION OF ELECTRICAL CONDUIT, SEE SIGNS AND ELECTRICAL PLANS.
  - J CONDUIT TERMINATION AT THE END OF STRUCTURE. SEE DETAIL J ON THIS SHT. CONDUIT SHALL EXIT STRUCTURE FROM THE SIDE NEAR THE END OF THE STRUCTURE.
  - S CONDUIT INSTALLATION W/IN BOX GIRDER. SEE STD. PLAN ES-7C, DETAIL S.
  - W THE WIDTH OF THE DIRT AREA NEAR THE END OF THE BRIDGE RAILING HAS BEEN EXAGGERATED FOR CLARITY. (NOT DRAWN TO SCALE).
  - WR THE WIDTH OF THE BRIDGE RAILING HAS BEEN EXAGGERATED FOR CLARITY. (NOT DRAWN TO SCALE).
  - N NAVIGATION LIGHT EMBEDDED IN BRIDGE DECK. SEE INSTALLATION DETAIL ON NAVIGATION LIGHTING PLAN.
  - 9 NO. 9 PULL BOX.



CONDUIT EXIT OF STRUCTURE - DETAIL J

NOTE: THIS PLAN ACCURATE FOR ELECTRICAL WORK ONLY. R-3946

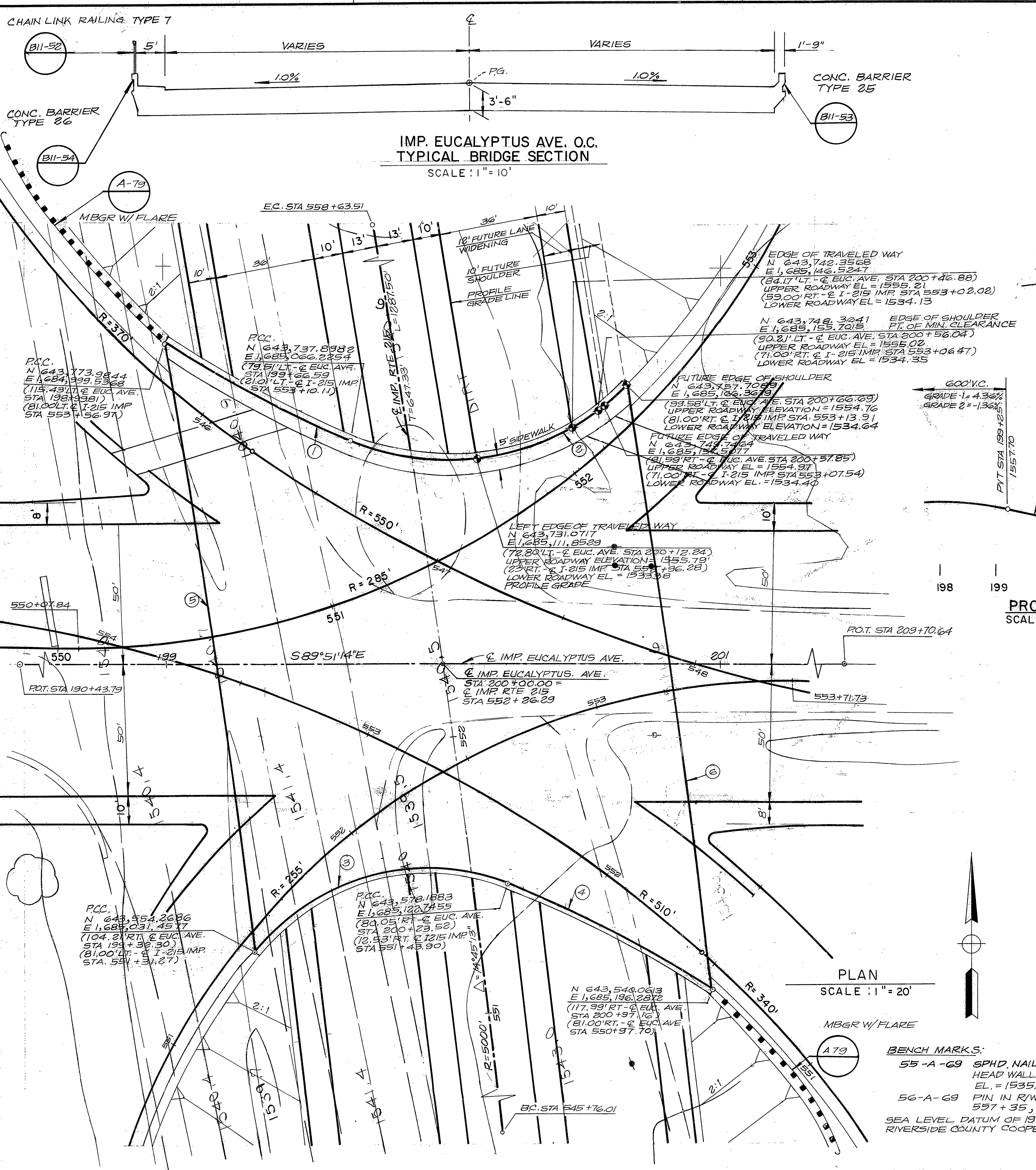
Submitted by	DESIGN	By	Checked	LOAD FACTOR DESIGN	LIVE LOADING: HS20-44 AND ALTERNATIVE AND PERMIT DESIGN LOAD
DESIGN ENGINEER	REGISTERED CIVIL ENGINEER NUMBER	By	Checked	LAYOUT	By
Approval Recommended By		By	Checked	SPECIFICATIONS	By
DESIGN SUPERVISOR	REGISTERED CIVIL ENGINEER NUMBER	By	Checked		Plans and Specs Compared

State of CALIFORNIA  
 DEPARTMENT OF TRANSPORTATION

DIVISION OF STRUCTURES  
 STRUCTURE DESIGN 3  
 BRIDGE NO. 56-0757  
 POST MILE 37.44  
 PROJECT ENGINEER: Mohsen Sultan 040068  
 REGISTERED CIVIL ENGINEER NO.

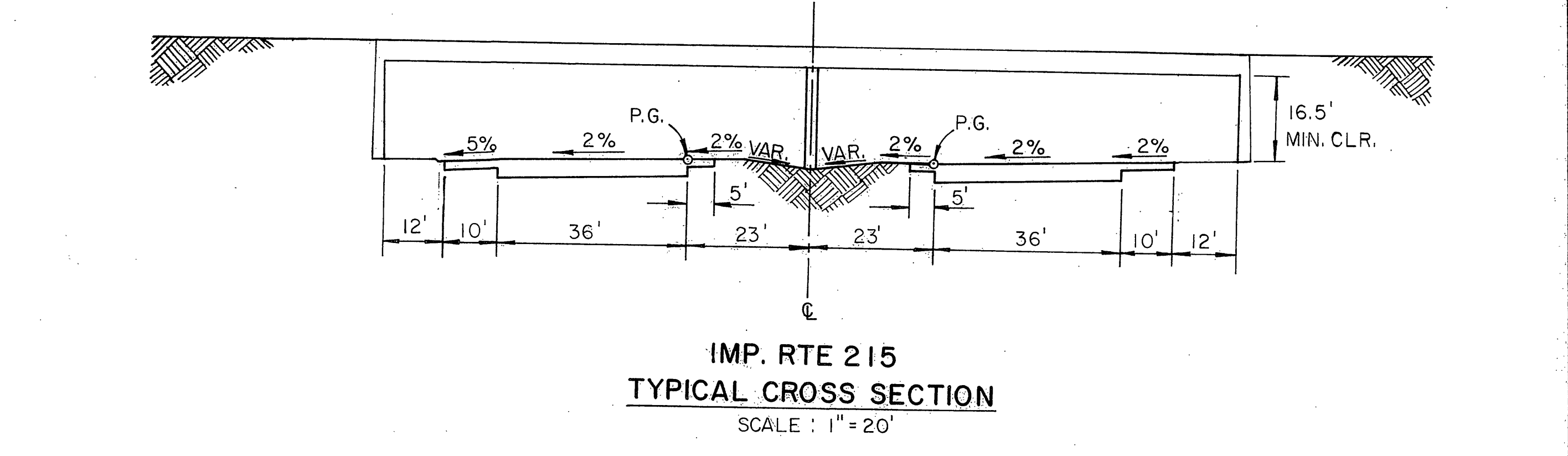
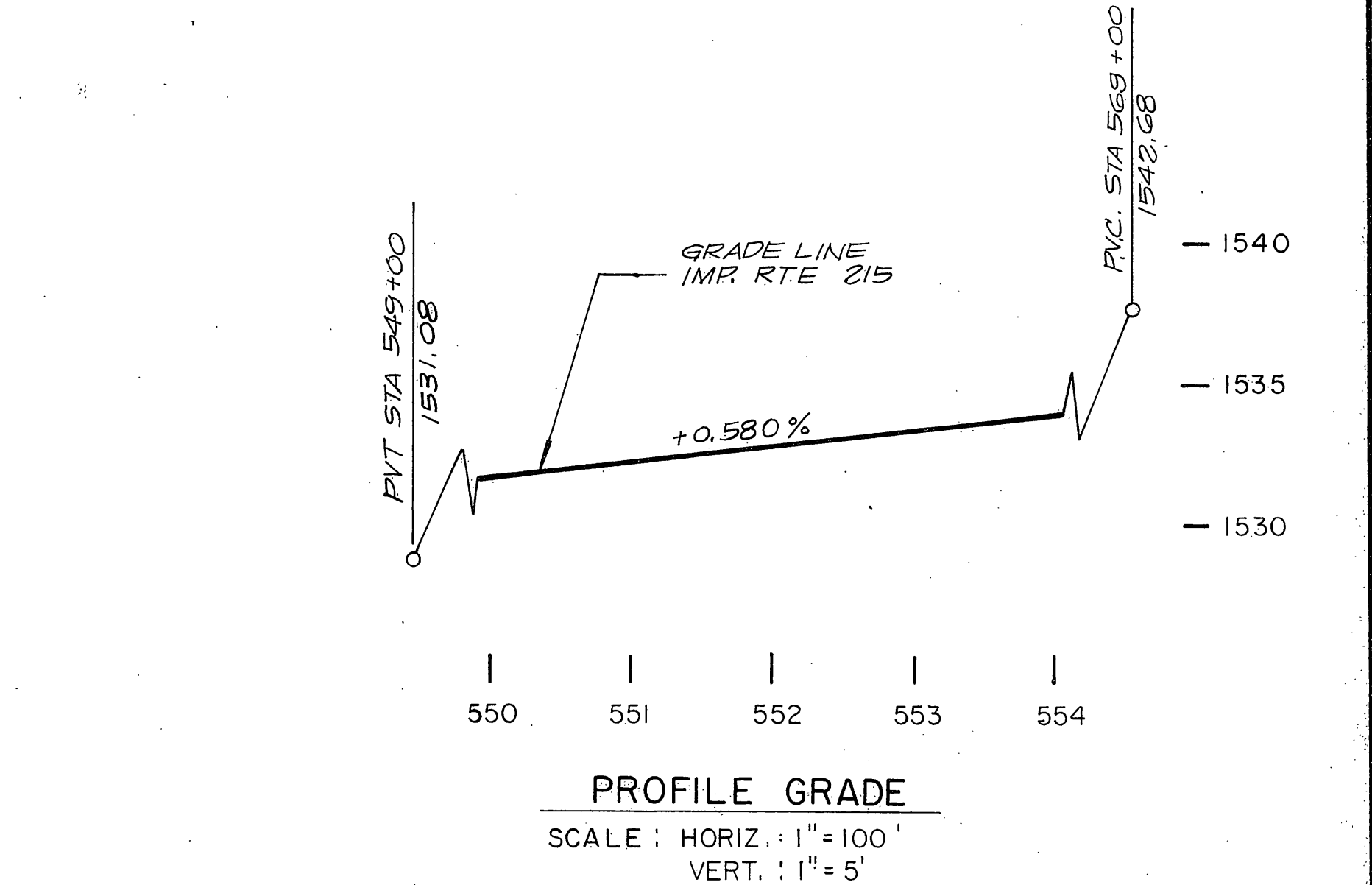
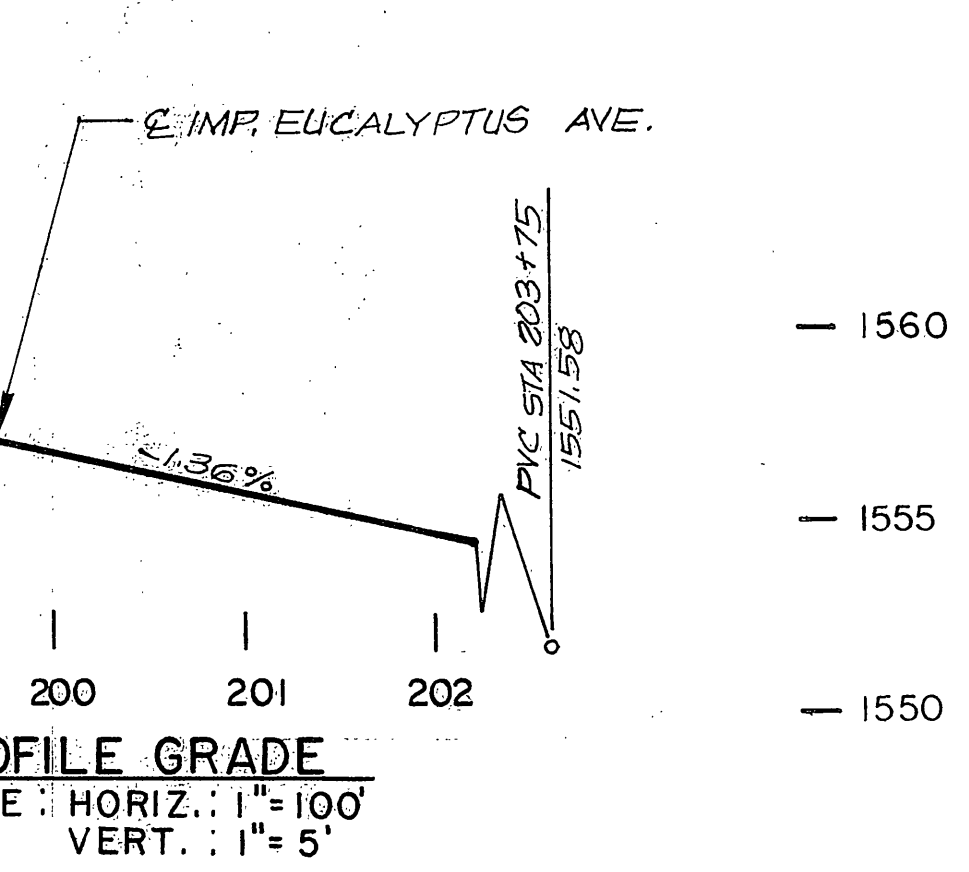
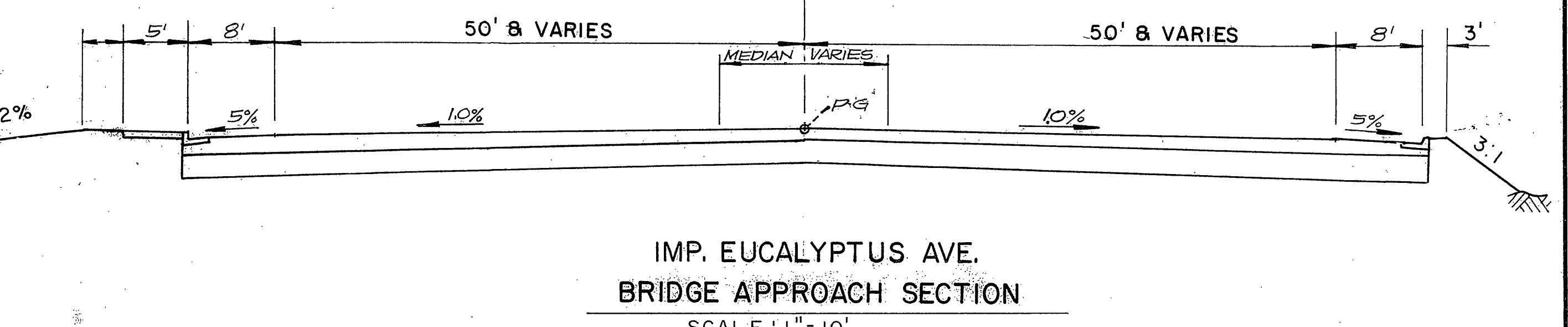
EUCALYPTUS AVE OVERCROSSING  
 STRUCTURE ELECTRICAL PLAN

PROJECT ENGINEER  
 CHECKED BY  
 DESIGNED BY  
 CALCULATED BY  
 DATE REVISIED  
 REVISIED BY



**CURVE DATA TABLE**

NO.	R	Δ	T	L
1	430.00'	10°07'00"	38.06'	75.22'
2	90.00'	69°06'02"	61.97'	108.54'
3	80.00'	72°17'13"	58.43'	100.93'
4	400.00'	11°53'73"	41.64'	82.89'
5	4919.00'	02°55'11"	111.04'	222.04'
6	5081.00'	02°28'33"	109.87'	219.71'



**PLAN**  
SCALE: 1" = 20'

**BENCH MARKS:**  
 55-A-69 SPHD. NAIL IN LEAD IN RR CULVERT HEAD WALL 133' LT. & EXIST. 547+05 EL = 1535.35  
 56-A-69 PIN IN R/W MON 100' LT. & EXIST 557+35, EL = 1533.31  
 SEA LEVEL DATUM OF 1929 AND THE FIRST ORDER RIVERSIDE COUNTY COOPERATIVE LEVELING OF 1970.

DIST	COUNTY	ROUTE	POST MILES TOTAL PROJECT	SHEET NO.	TOTAL SHEETS
8	RIV	215	34°R 383		

REGISTERED CIVIL ENGINEER

PLANS APPROVAL DATE

**Greiner, Inc.**  
1221 EAST DYER ROAD, Suite 100  
SANTA ANA, CALIFORNIA 92705 - 5605

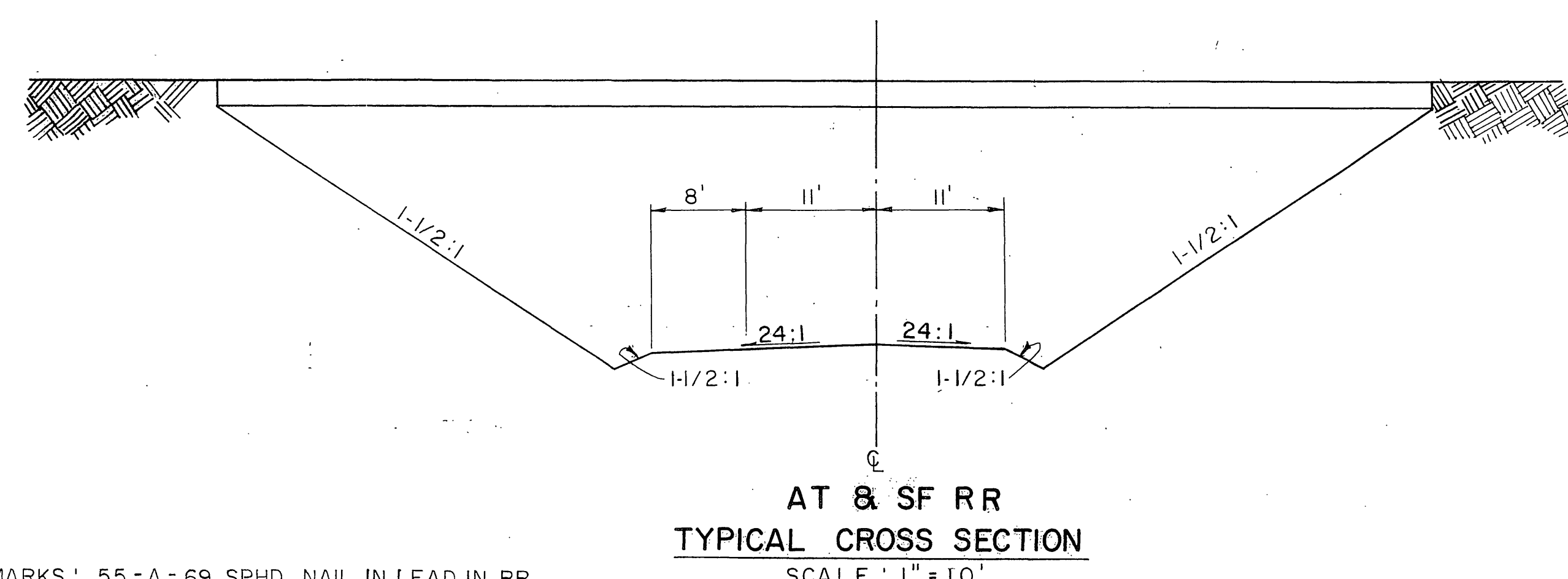
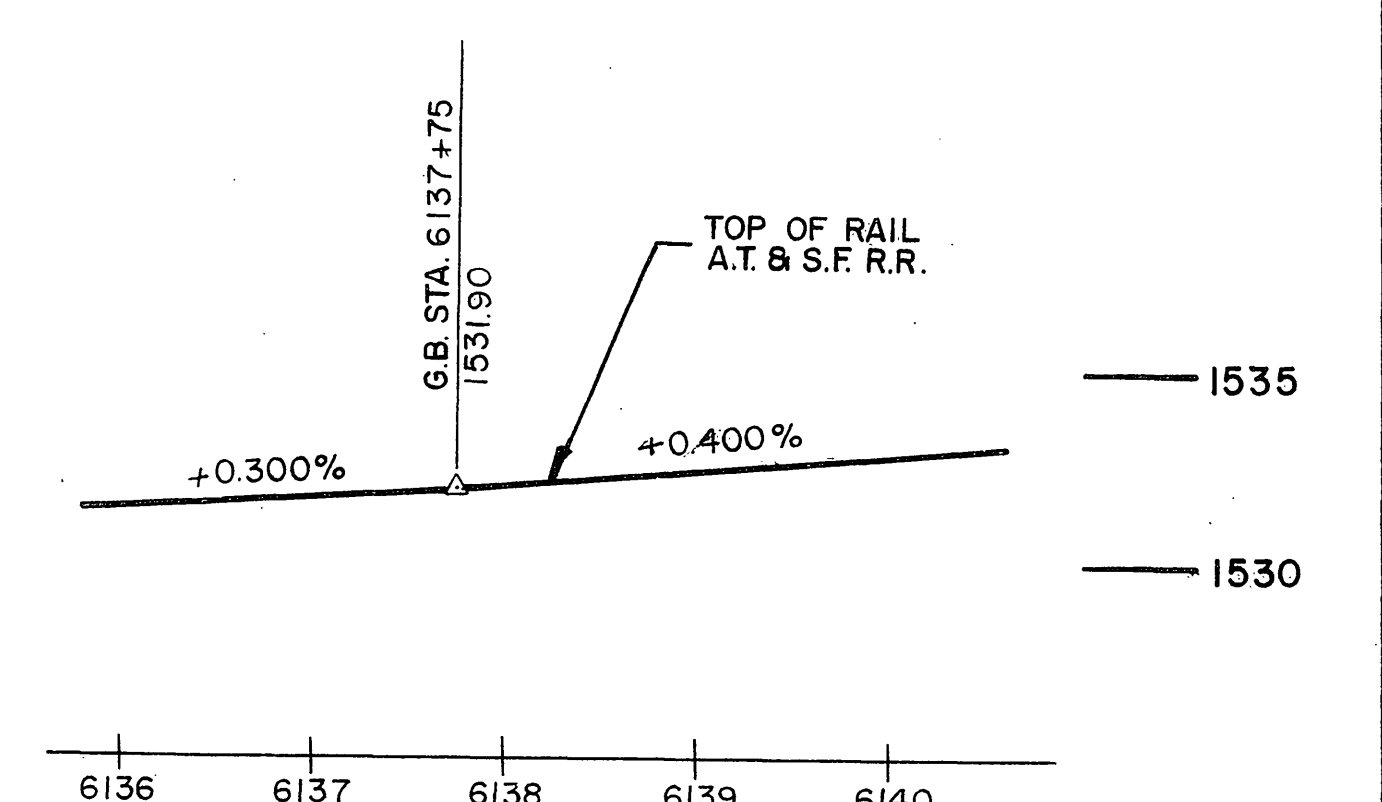
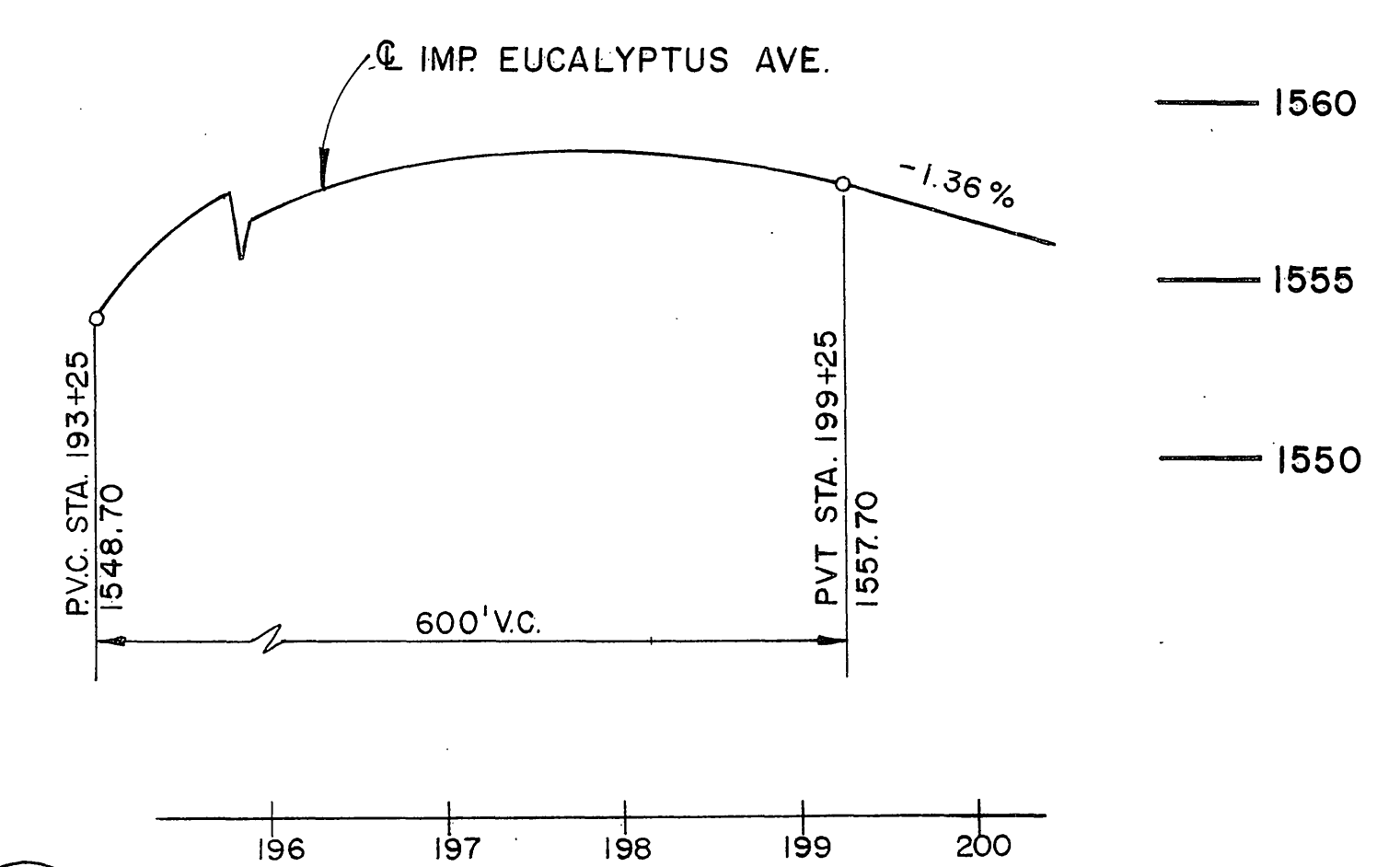
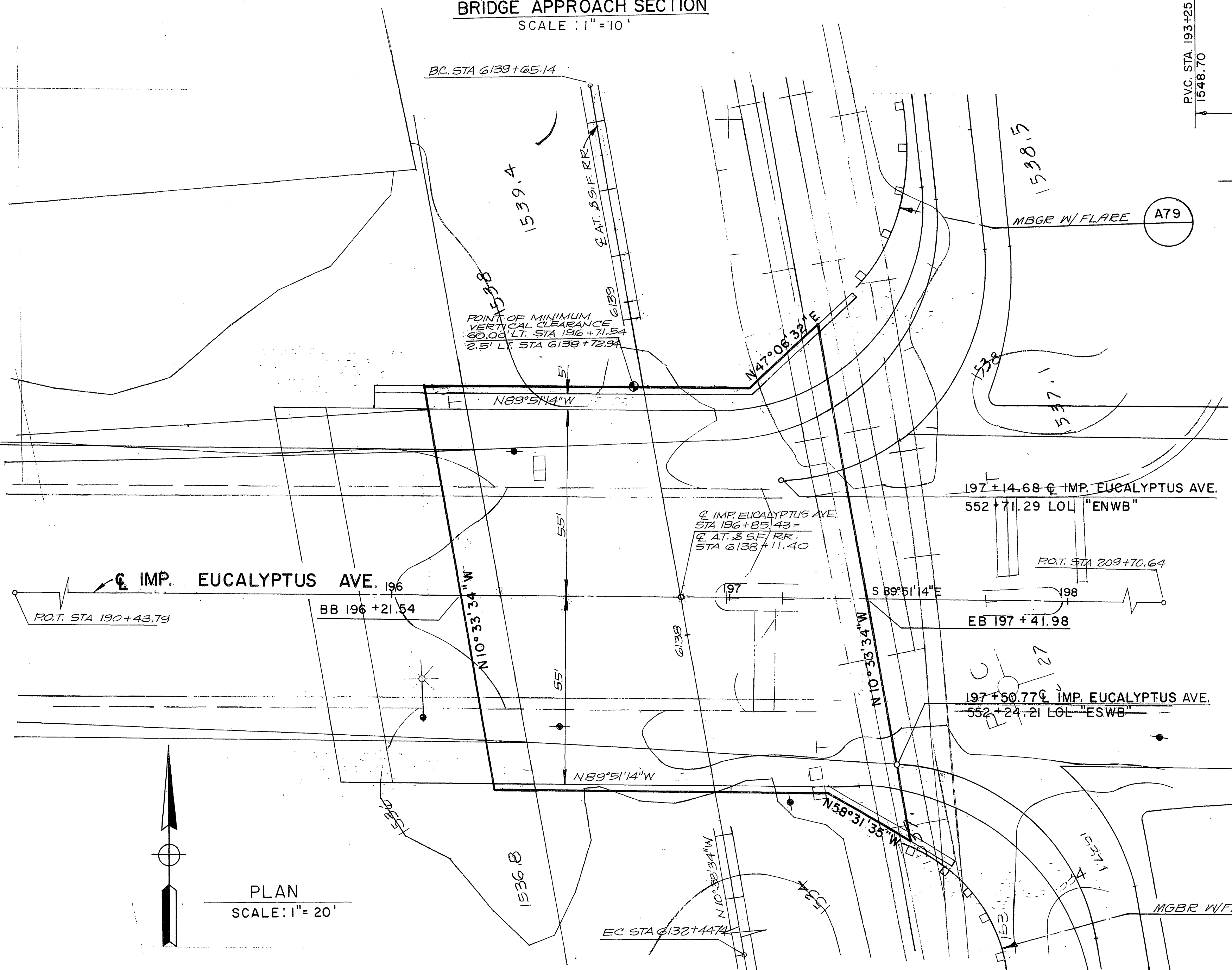
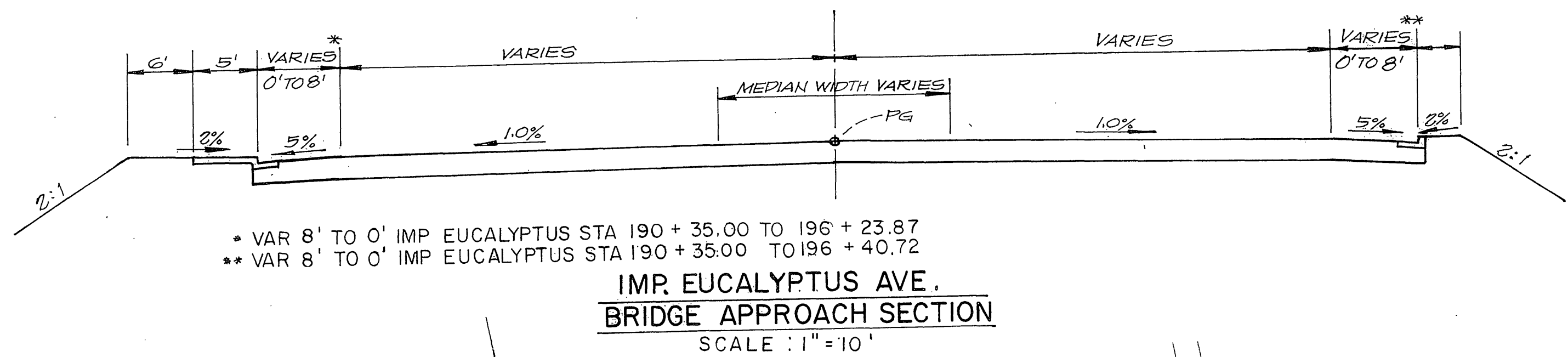
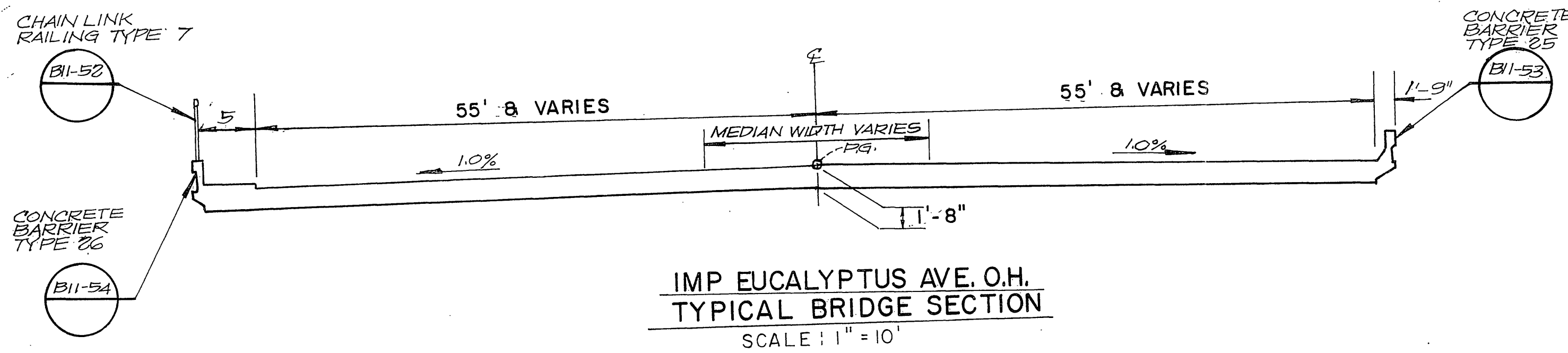
REGISTERED PROFESSIONAL ENGINEER  
No. \_\_\_\_\_  
Exp. \_\_\_\_\_  
CIVIL  
STATE OF CALIFORNIA

**BRIDGE SITE DATA**  
**IMP EUCALYPTUS AVE. OVER CROSSING**  
 08203 - 227501  
 SCALE: AS SHOWN R-3946  
**ST-1**

DIST	COUNTY	ROUTE	POST MILES TOTAL PROJECT	SHEET NO.	TOTAL SHEETS
8	RIV	215	342/R382		

REGISTERED CIVIL ENGINEER	
PLANS APPROVAL DATE	
<b>Greiner, Inc.</b> 1221 EAST DYER ROAD, Suite 100 SANTA ANA, CALIFORNIA 92705-5605	



BENCH MARKS: 55-A-69 SPHD. NAIL IN LEAD IN RR CULVERT HEADWALL 133' LT. Q EXIST 547 + 05, EL = 1535.35.  
 56-A-69 PIN IN RIW MON 100' LT. Q EXIST. 557 + 35 EL = 1533.91  
 SEA LEVEL DATUM OF 1929 AND THE FIRST ORDER RIVERSIDE COUNTY COOPERATIVE LEVELING OF 1970.

**BRIDGE SITE DATA**  
**EUCALYPTUS AVE OVERHEAD**  
 08203-227501  
 SCALE AS SHOWN  
 R-3946  
**ST-2**

PROJECT ENGINEER  
 CALCULATED/DESIGNED BY  
 CHECKED BY  
 DATE  
 REVISIONS  
 DATE  
 REVISIONS  
 DATE  
 REVISIONS  
 STATE OF CALIFORNIA - DEPARTMENT OF TRANSPORTATION  
**St Colburn**

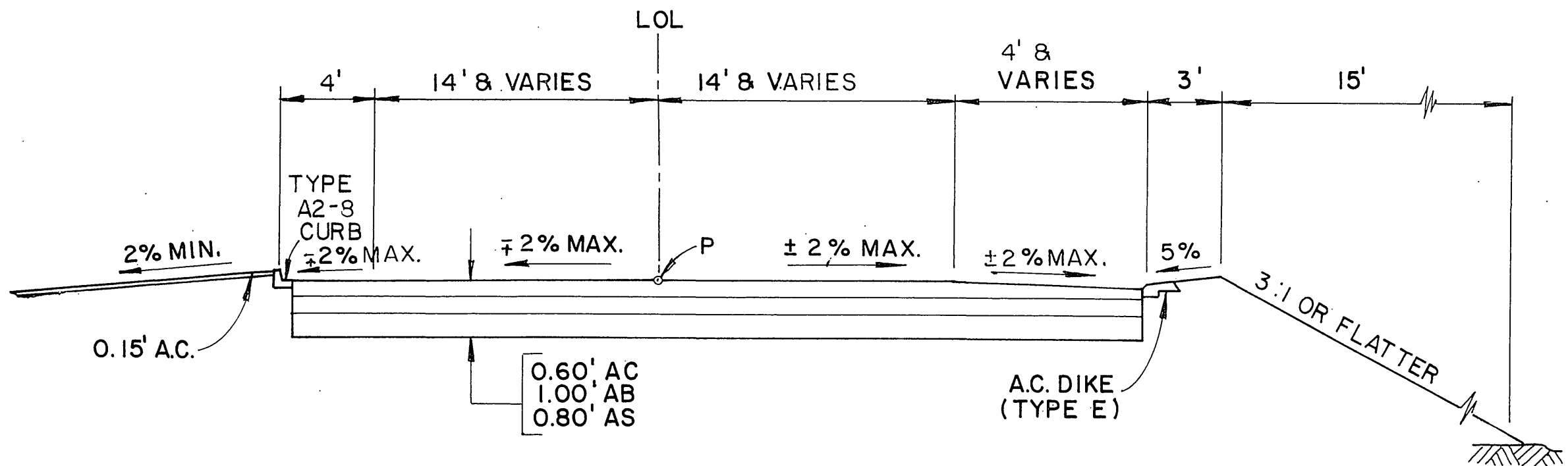


DIST	COUNTY	ROUTE	POST MILES TOTAL PROJECT	SHEET NO.	TOTAL SHEETS
8	RIV	215	540/R383		

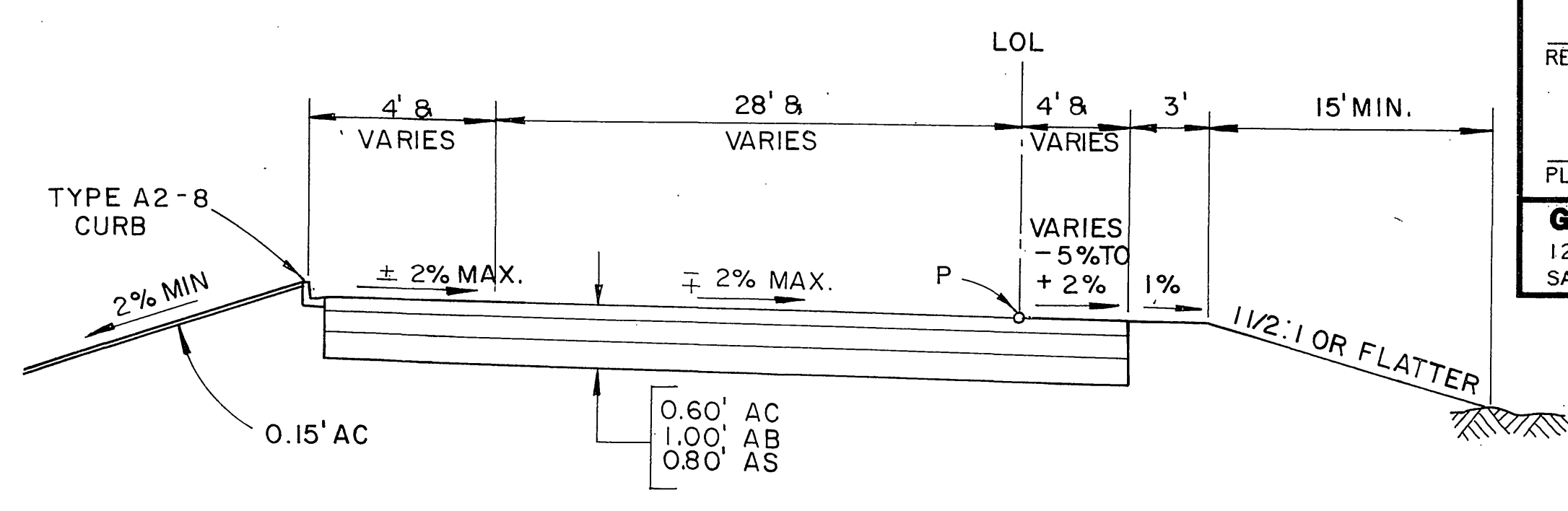
REGISTERED CIVIL ENGINEER

PLANS APPROVAL DATE

**Greiner, Inc.**  
1221 EAST DYER ROAD, Suite 100  
SANTA ANA, CALIFORNIA 92705-5605

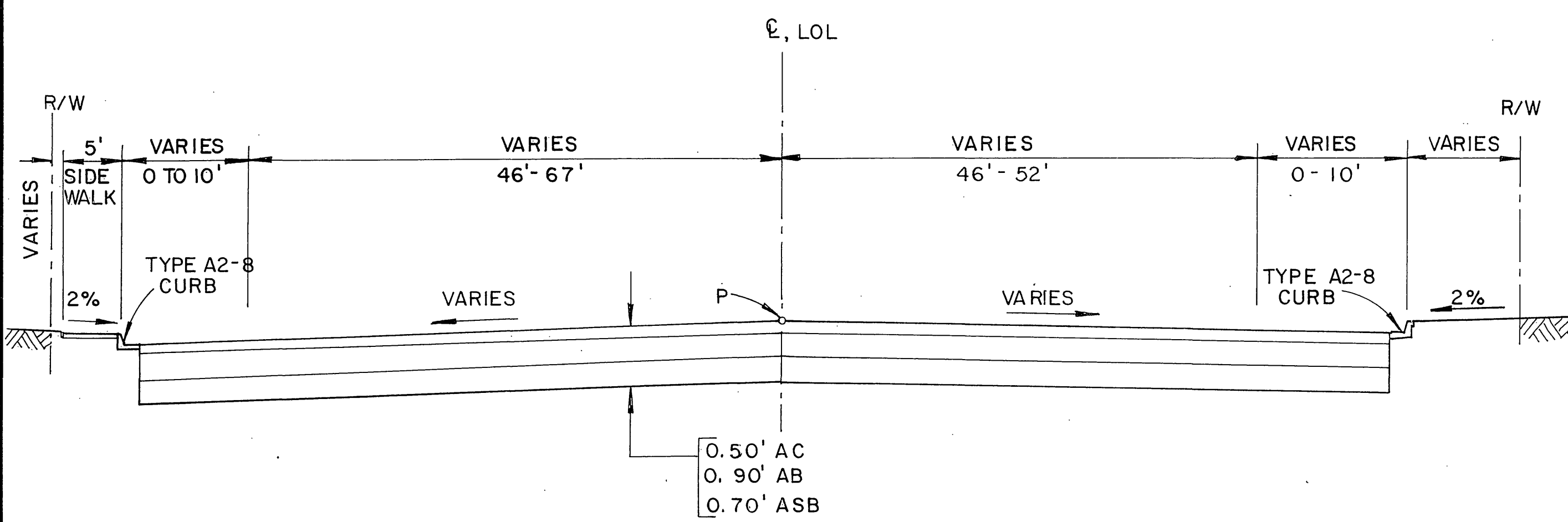


**RAMP ESEB**  
STA 549 + 66.06 TO STA 551 + 71.97

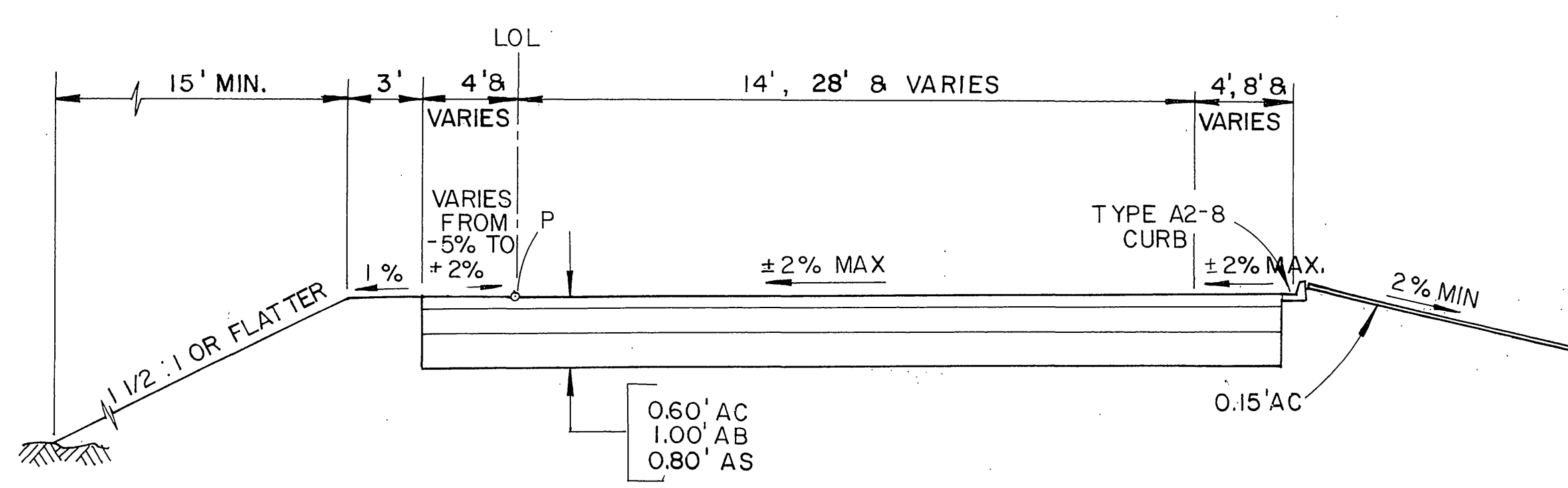


**RAMPS**  
ENWA STA 553 + 32.36 TO STA 554 + 73.24  
ESWA STA 550 + 41.79 TO STA 551 + 46.92  
ENEB STA 551 + 75.36 TO STA 554 + 52.97

**ABBREVIATION:**  
"EUC" & IMP. EUCALYPTUS AVE  
"E N E A"  
EUCALYPTUS QUADRANT RAMP DESIGNATION

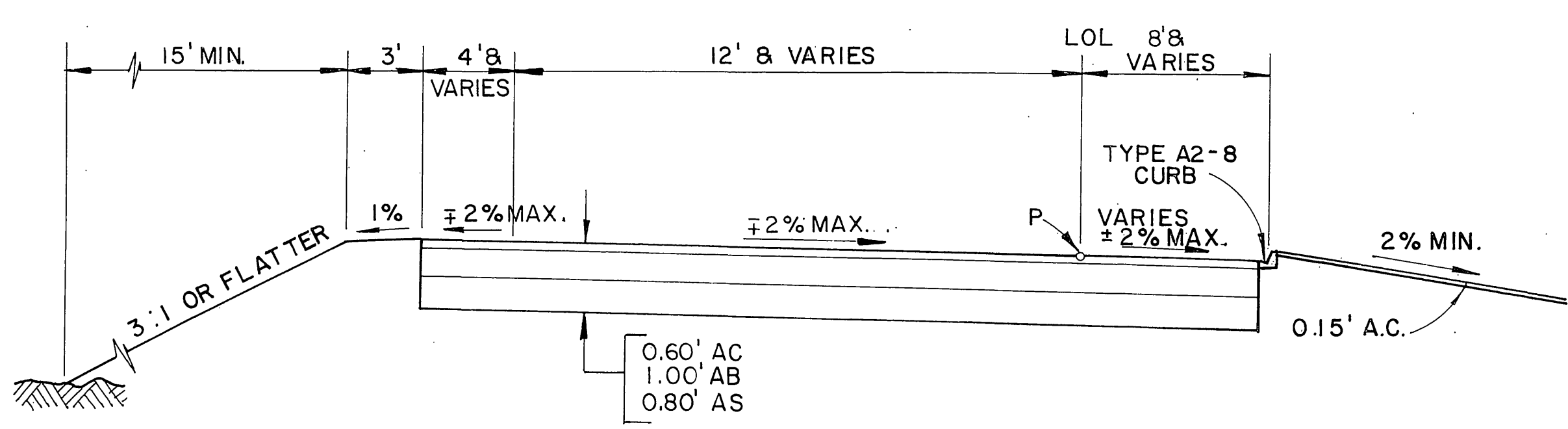


**EUCALYPTUS AVE.**  
STA 187 + 50.00 TO STA 208 + 81.15

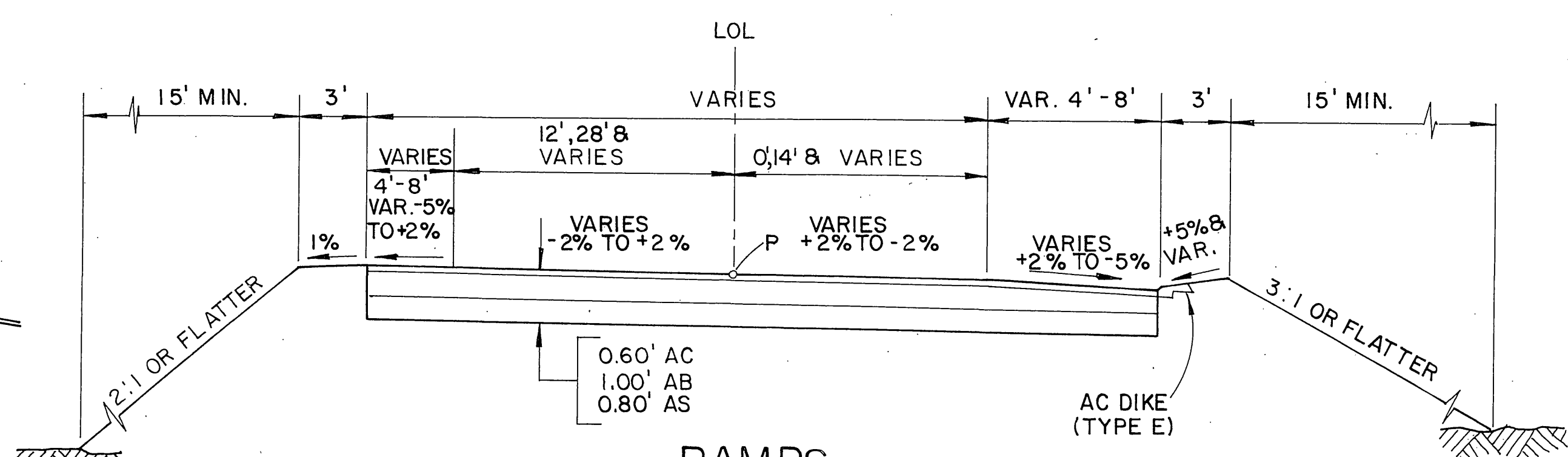


**RAMPS**  
ESWB STA 550 + 52.11 TO STA 551 + 64.16  
ENEA STA 552 + 31.57 TO STA 554 + 63.36  
ESE A STA 549 + 55.16 TO STA 551 + 54.77

- NOTES:**
- DIMENSIONS OF THE STRUCTURAL SECTIONS ARE SUBJECT TO TOLERANCES SPECIFIED IN THE STD. SPECIFICATIONS.
  - SUPERELEVATION AS SHOWN OR AS DIRECTED BY THE ENGINEER.



**RAMP ENWB**  
STA 553 + 34.57 TO STA 554 + 73.24



**RAMPS**  
ENWA 554 + 73.24 TO 557 + 50.00  
ENEA 554 + 63.36 TO 557 + 50.00  
ESE A 543 + 00.00 TO 549 + 55.16  
ESWA 543 + 00.00 TO 550 + 41.79

TYPICAL CROSS SECTIONS  
NO SCALE R-3946

STATE OF CALIFORNIA - DEPARTMENT OF TRANSPORTATION  
**Caltrans**

PROJECT ENGINEER  
CALCULATED/DESIGNED BY  
CHECKED BY  
DATE  
REVISOR  
DATE

CMFD33>SA-1>J9162567>CADD>SCANEW.FGB Wnd: SCANEW 06-DEC-88 14:39

FOR REDUCED PLANS  
ORIGINAL SCALE 1" = 10' INCHES

RECEIVED  
EA JAN 10 1989  
INDEXED 6-21-06  
DEPT. OF PUBLIC WORKS  
JAN 5 1989



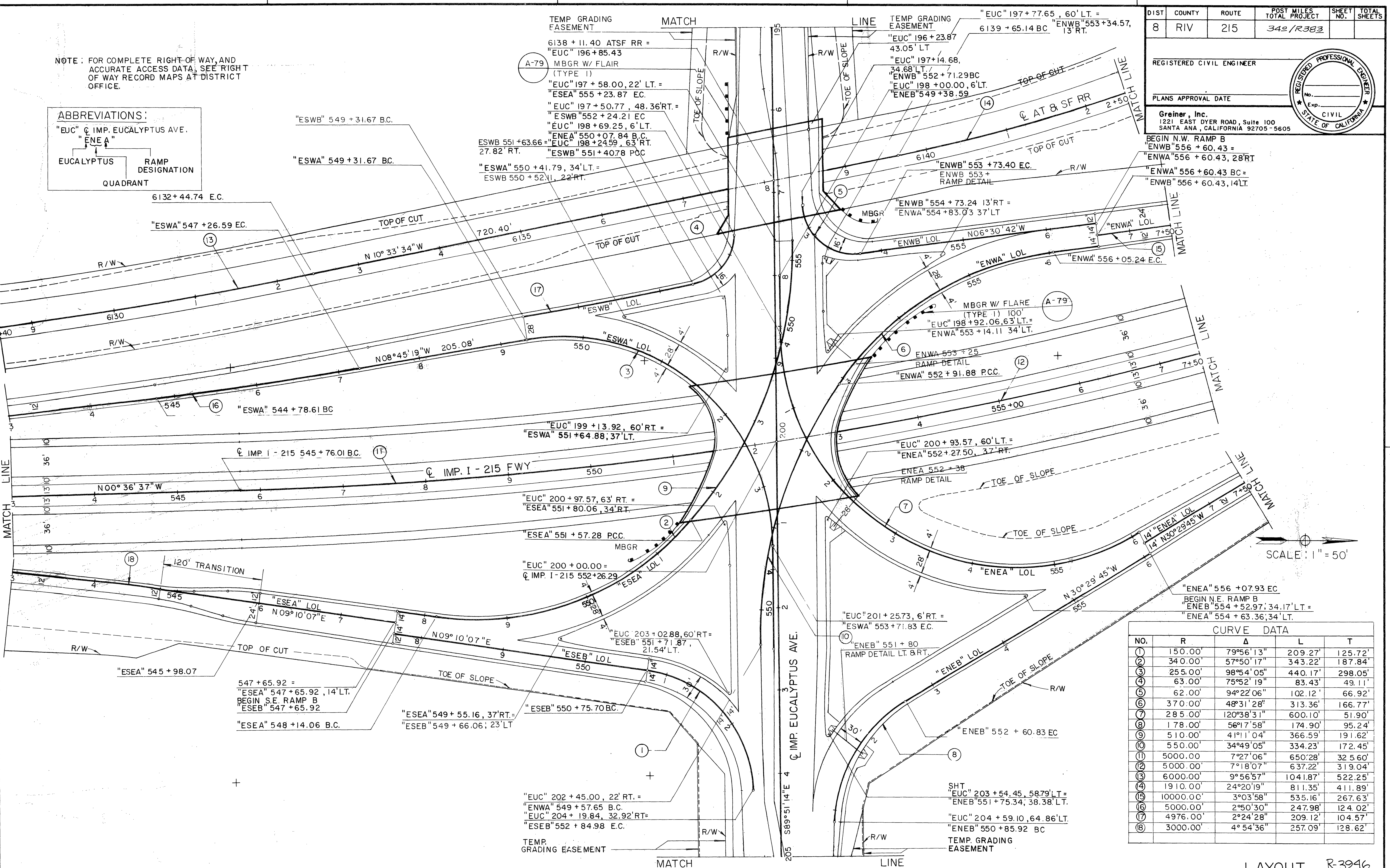
STATE OF CALIFORNIA - DEPARTMENT OF TRANSPORTATION  
**Coltson**

PROJECT ENGINEER  
 CHECKED BY  
 DESIGNED BY  
 CALCULATED/

DATE REVISID BY  
 DATE REVISID BY

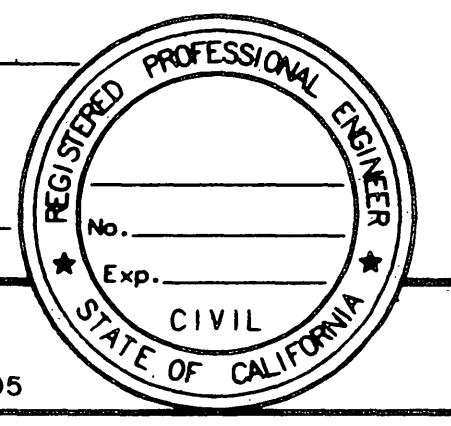
NOTE: FOR COMPLETE RIGHT-OF-WAY, AND ACCURATE ACCESS DATA, SEE RIGHT OF WAY RECORD MAPS AT DISTRICT OFFICE.

ABBREVIATIONS:  
 "EUC"  $\phi$  IMP. EUCALYPTUS AVE.  
 "ENE" "ENE"  
 EUCALYPTUS RAMP DESIGNATION QUADRANT



DIST	COUNTY	ROUTE	POST MILES TOTAL PROJECT	SHEET NO.	TOTAL SHEETS
8	RIV	215	342/R383		

REGISTERED CIVIL ENGINEER  
 PLANS APPROVAL DATE  
 Greiner, Inc.  
 1221 EAST DYER ROAD, Suite 100  
 SANTA ANA, CALIFORNIA 92705-5605



BEGIN N.W. RAMP B  
 "ENWB" 556 + 60.43 =  
 "ENWA" 556 + 60.43, 28' RT.  
 "ENWA" 556 + 60.43 BC =  
 "ENWB" 556 + 60.43, 14' LT.

SCALE: 1" = 50'

CURVE DATA				
NO.	R	$\Delta$	L	T
1	150.00'	79°56'13"	209.27'	125.72'
2	340.00'	57°50'17"	343.22'	187.84'
3	255.00'	98°54'05"	440.17'	298.05'
4	63.00'	75°52'19"	83.43'	49.11'
5	62.00'	94°22'06"	102.12'	66.92'
6	370.00'	48°31'28"	313.36'	166.77'
7	285.00'	120°38'31"	600.10'	51.90'
8	178.00'	56°17'58"	174.90'	95.24'
9	510.00'	41°11'04"	366.59'	191.62'
10	550.00'	34°49'05"	334.23'	172.45'
11	5000.00'	7°27'06"	650.28'	325.60'
12	5000.00'	7°18'07"	637.22'	319.04'
13	6000.00'	9°56'57"	1041.87'	522.25'
14	1910.00'	24°20'19"	811.35'	411.89'
15	10000.00'	3°03'58"	535.16'	267.63'
16	5000.00'	2°50'30"	247.98'	124.02'
17	4976.00'	2°24'28"	209.12'	104.57'
18	3000.00'	4°54'36"	257.09'	128.62'

FOR REDUCED PLANS ORIGINAL SCALE IS IN INCHES

LAYOUT R-3946

CU EA

INDEXED 6-21-06 Lfh

JAN 9 1989




DIST	COUNTY	ROUTE	POST MILES TOTAL PROJECT	SHEET NO.	TOTAL SHEETS
8	RIV	215	34.2 / R 38.2		

REGISTERED CIVIL ENGINEER

PLANS APPROVAL DATE

**Greiner, Inc.**  
 1221 EAST DYER ROAD, Suite 100  
 SANTA ANA, CALIFORNIA 92705-5605

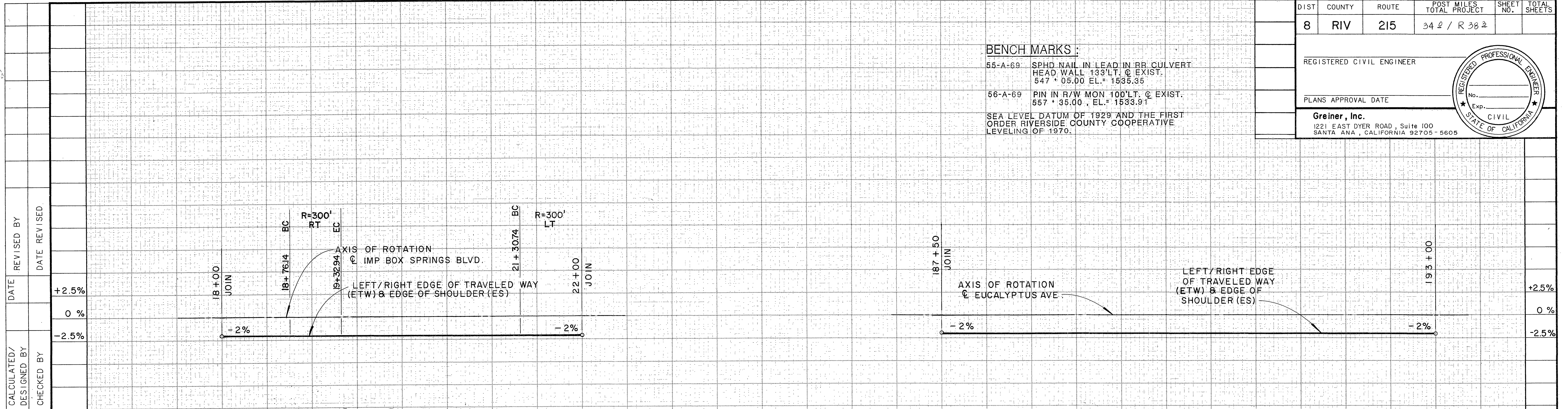


**BENCH MARKS:**

55-A-69 SPHD NAIL IN LEAD IN RR CULVERT HEAD WALL 133' LT. @ EXIST. 547' ± 05.00 EL. = 1535.35

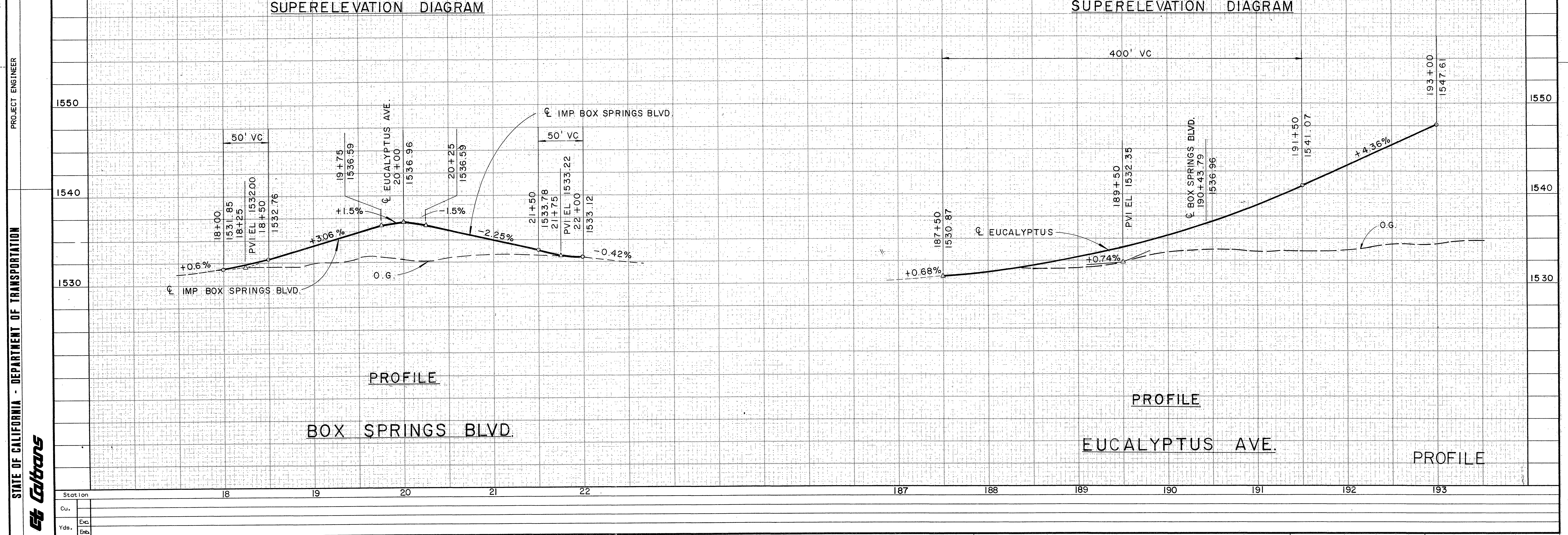
56-A-69 PIN IN R/W MON 100' LT. @ EXIST. 557' ± 35.00 EL. = 1533.91

SEA LEVEL DATUM OF 1929 AND THE FIRST ORDER RIVERSIDE COUNTY COOPERATIVE LEVELING OF 1970.



SUPERELEVATION DIAGRAM

SUPERELEVATION DIAGRAM



PROFILE

PROFILE

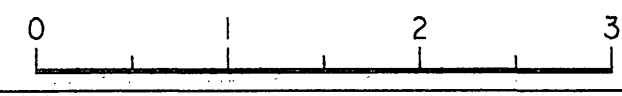
BOX SPRINGS BLVD.

EUCALYPTUS AVE.

PROFILE

Station	18	19	20	21	22	187	188	189	190	191	192	193
Cu.												
Exc.												
Emb.												

FOR REDUCED PLANS ORIGINAL SCALE IS IN INCHES



CU EA R-3946

STATE OF CALIFORNIA - DEPARTMENT OF TRANSPORTATION  
 PROJECT ENGINEER  
 Coltrane


CALCULATED/DESIGNED BY  
 CHECKED BY  
 DATE REVISED  
 REVISOR

DIST	COUNTY	ROUTE	POST MILES TOTAL PROJECT	SHEET NO.	TOTAL SHEETS
8	RIV	215	34.2 / R 38.2		

REGISTERED CIVIL ENGINEER

PLANS APPROVAL DATE

**Greiner, Inc.**  
 1221 EAST DYER ROAD, Suite 100  
 SANTA ANA, CALIFORNIA 92705-5605

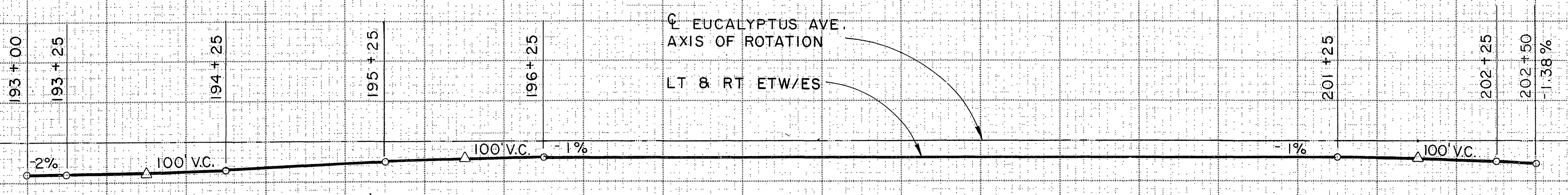


**BENCH MARKS:**

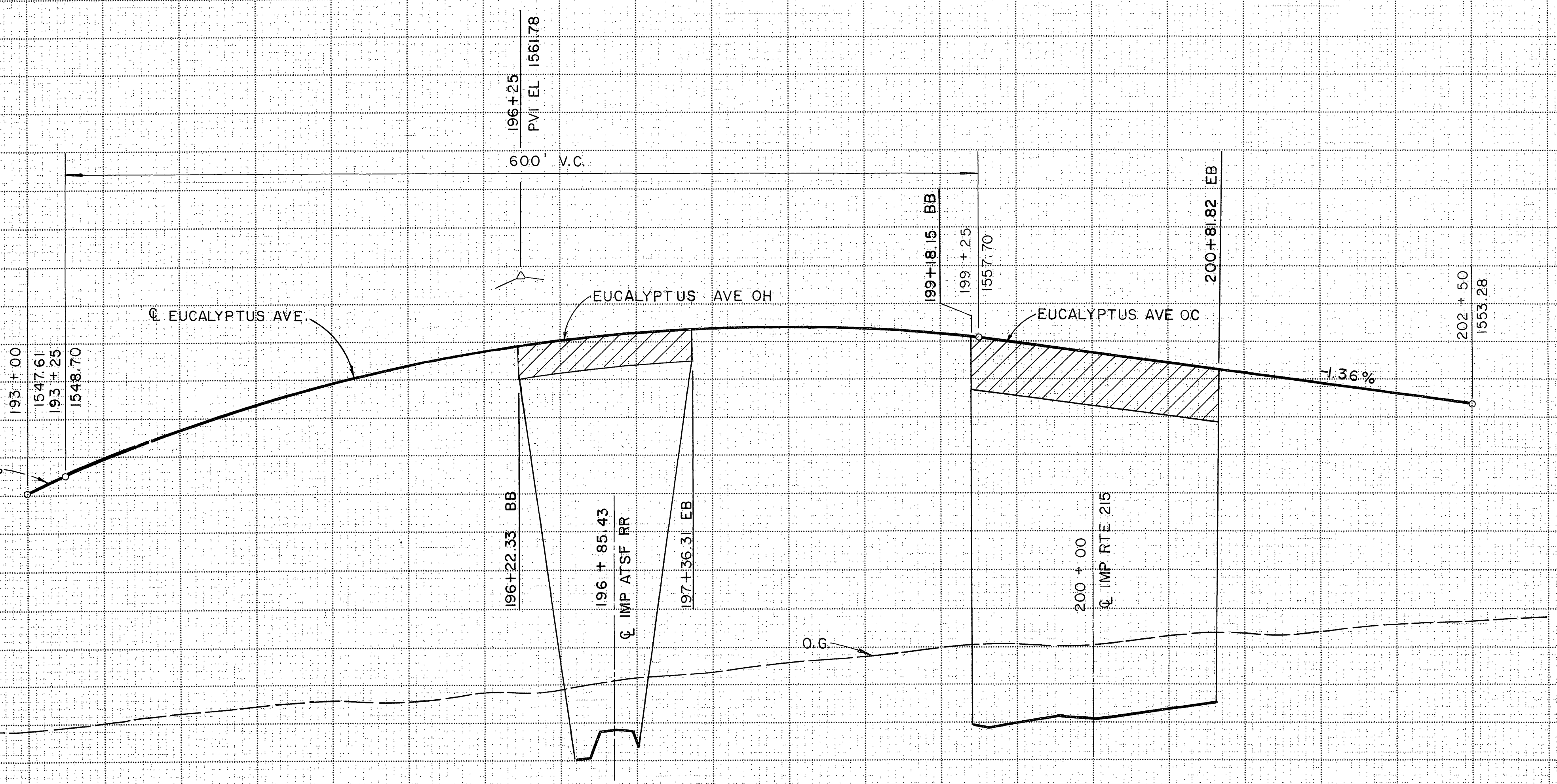
55-A-69 SPHD NAIL IN LEAD IN RR CULVERT HEAD WALL 133' LT. C EXIST.  
 547' 05.00 EL. = 1535.35

56-A-69 PIN IN R/W MON 100' LT. C EXIST.  
 557' 35.00, EL. = 1533.91

SEA LEVEL DATUM OF 1929 AND THE FIRST ORDER RIVERSIDE COUNTY COOPERATIVE LEVELING OF 1970.



**SUPERELEVATION DIAGRAM**



**PROFILE**  
**EUCALYPTUS AVENUE**


PROFILE

STATE OF CALIFORNIA - DEPARTMENT OF TRANSPORTATION  
**St Colborn**

PROJECT ENGINEER	CHECKED BY	DESIGNED BY	DATE	REVISOR	DATE

Station	193	194	195	196	197	198	199	200	201	202
Cu.										
Exc.										
Yds. Emb.										

FOR REDUCED PLANS ORIGINAL SCALE IS IN INCHES

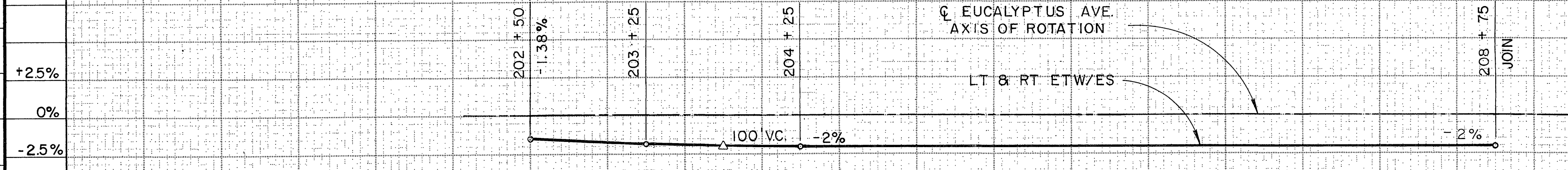


CU EA R-3946

STATE OF CALIFORNIA - DEPARTMENT OF TRANSPORTATION  
**St Colborn**  
 PROJECT ENGINEER  
 DATE  
 REVISION BY  
 DATE REVISION  
 CALCULATED/DESIGNED BY  
 CHECKED BY

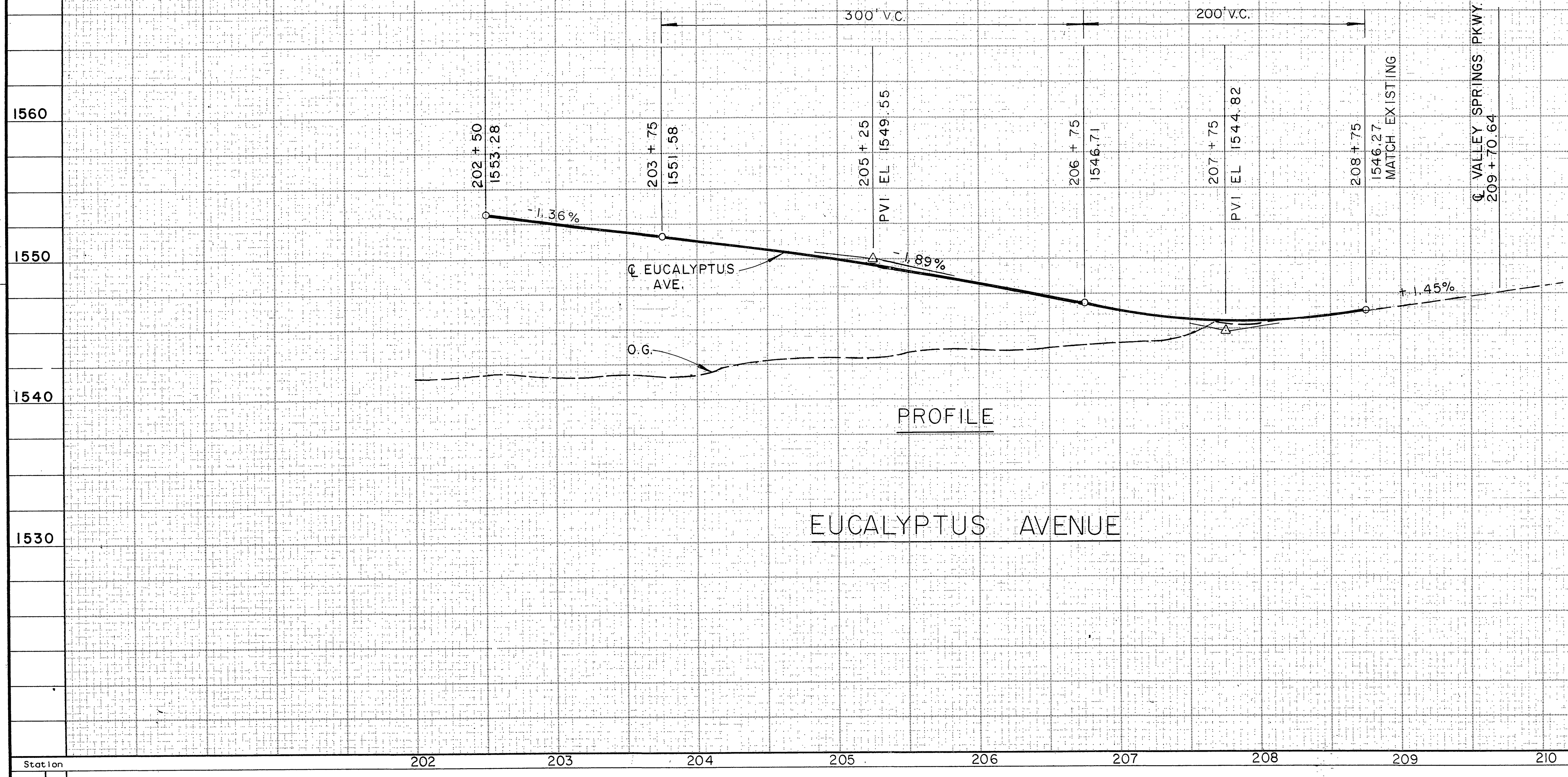
DIST	COUNTY	ROUTE	POST MILES TOTAL PROJECT	SHEET NO.	TOTAL SHEETS
8	RIV	215	2.2, 2.3, 2.4		

REGISTERED CIVIL ENGINEER  
 PLANS APPROVAL DATE  
 Greiner, Inc.  
 1221 EAST DYER ROAD, Suite 100  
 SANTA ANA, CALIFORNIA 92705 - 5605



SUPERELEVATION DIAGRAM

**BENCH MARKS:**  
 55-A-69 SPHD NAIL IN LEAD IN BR CULVERT HEAD WALL 133'L. C. EXIST. 547' 05.00' EL. = 1535.35  
 56-A-69 PIN IN R/W MON 100'L. C. EXIST. 557' 35.00' EL. = 1533.91  
 SEA LEVEL DATUM OF 1929 AND THE FIRST ORDER RIVERSIDE COUNTY COOPERATIVE LEVELING OF 1970.



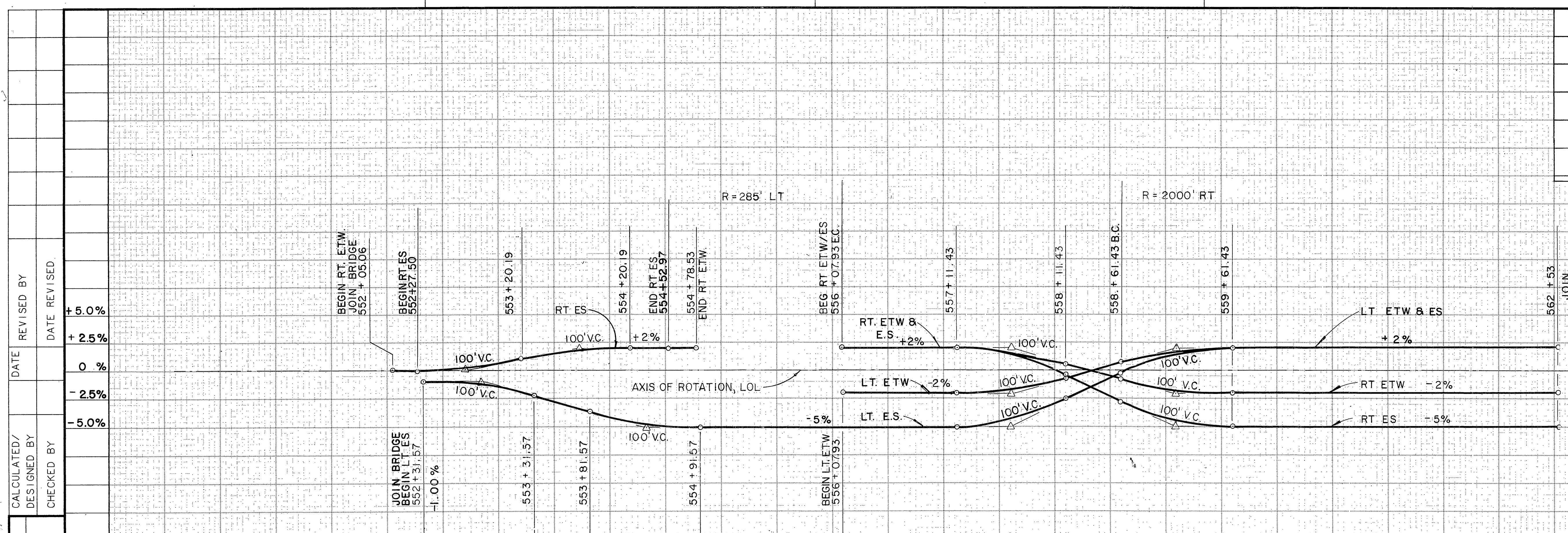
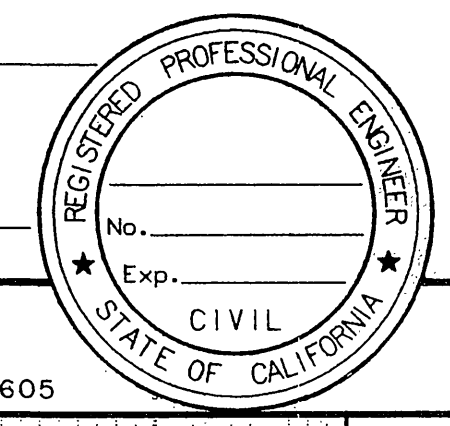
EUCALYPTUS AVENUE

PROFILE

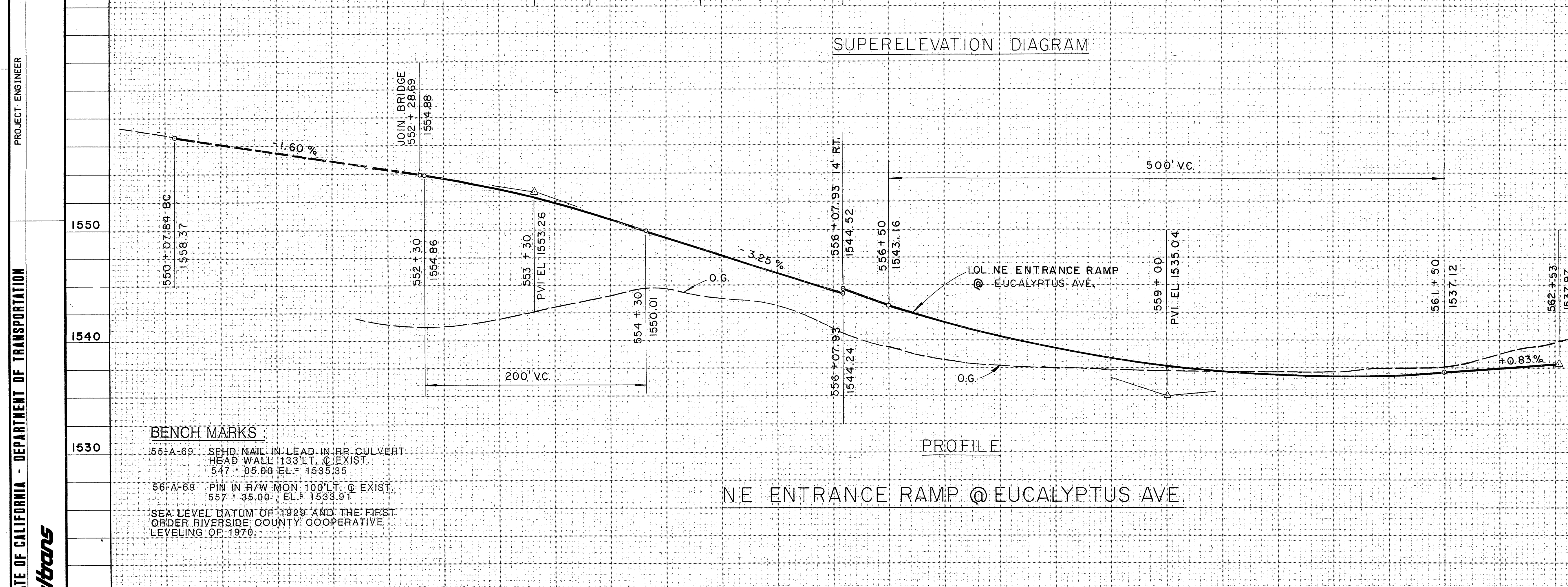
Station	202	203	204	205	206	207	208	209	210
Cu.									
Yds.									

FOR REDUCED PLANS ORIGINAL SCALE IS IN INCHES 0 1 2 3

DIST	COUNTY	ROUTE	POST MILES TOTAL PROJECT	SHEET NO.	TOTAL SHEETS
8	RIV	215	34.0 / 12.38		
REGISTERED CIVIL ENGINEER					
PLANS APPROVAL DATE					
<b>Greiner, Inc.</b> 1221 EAST DYER ROAD, Suite 100 SANTA ANA, CALIFORNIA 92705 - 5605					



SUPERELEVATION DIAGRAM



PROFILE

PROFILE

**BENCH MARKS :**  
 55-A-69 SPHD NAIL IN LEAD IN RR CULVERT HEAD WALL 133' LT. @ EXIST. 547 + 06.00 EL = 1535.35  
 56-A-69 PIN IN R/W MON 100' LT. @ EXIST. 557 + 35.00 EL = 1533.91  
 SEA LEVEL DATUM OF 1929 AND THE FIRST ORDER RIVERSIDE COUNTY COOPERATIVE LEVELING OF 1970.

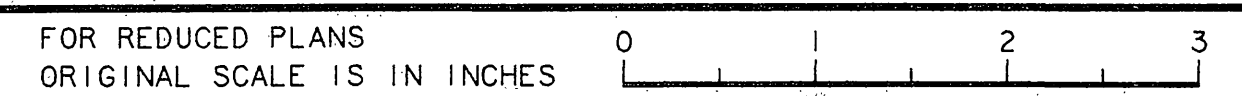
NE ENTRANCE RAMP @ EUCALYPTUS AVE.

STATE OF CALIFORNIA - DEPARTMENT OF TRANSPORTATION  
 PROJECT ENGINEER  
**Caltrans**

DATE	REVISED BY	DATE	REVISED BY

CALCULATED/DESIGNED BY	CHECKED BY

Station	550	551	552	553	554	555	556	557	558	559	560	561	562	563	564	565
Cu.																
Yds.																

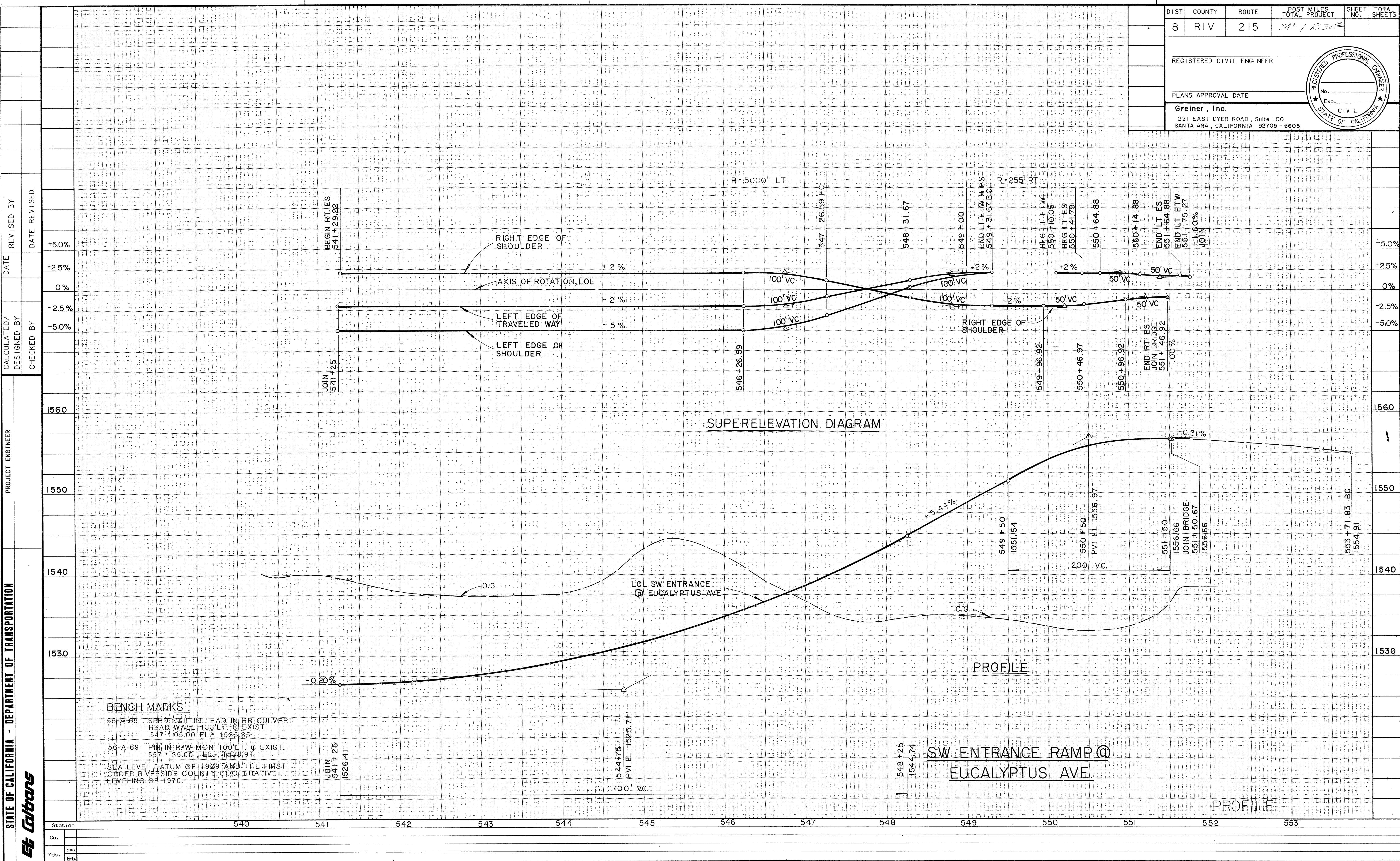
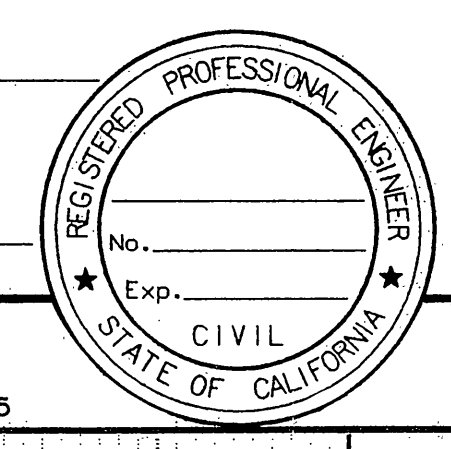








DIST	COUNTY	ROUTE	POST MILES TOTAL PROJECT	SHEET NO.	TOTAL SHEETS
8	RIV	215	24.1 / E 303		
REGISTERED CIVIL ENGINEER					
PLANS APPROVAL DATE					
Greiner, Inc.					
1221 EAST DYER ROAD, Suite 100 SANTA ANA, CALIFORNIA 92705-5605					



**BENCH MARKS:**

55-A-69 SPHD NAIL IN LEAD IN RR CULVERT HEAD WALL 133' LT. @ EXIST. 547 + 05.00 EL. = 1535.35

56-A-69 PIN IN R/W MON 100' LT. @ EXIST. 557 + 35.00 EL. = 1533.91

SEA LEVEL DATUM OF 1929 AND THE FIRST ORDER RIVERSIDE COUNTY COOPERATIVE LEVELING OF 1970.

STATE OF CALIFORNIA - DEPARTMENT OF TRANSPORTATION  
Caltrans

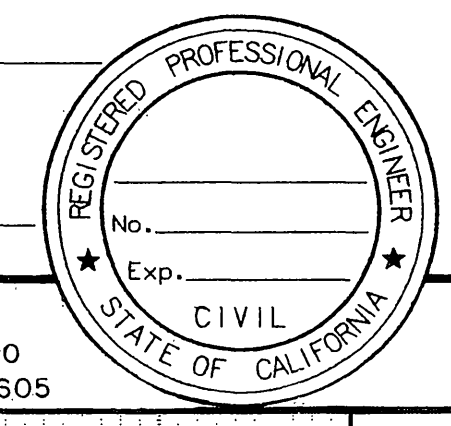
FOR REDUCED PLANS ORIGINAL SCALE IS IN INCHES



CU EA R-3946  
INDEXED 6-21-06 LfH

JAN 9 1989

DIST	COUNTY	ROUTE	POST MILES TOTAL PROJECT	SHEET NO.	TOTAL SHEETS
8	RIV	215	34.0 / 38.0		
REGISTERED CIVIL ENGINEER					
PLANS APPROVAL DATE					
Greiner, Inc. 1221 EAST DYER ROAD, Suite 100 SANTA ANA, CALIFORNIA 92705-5605					

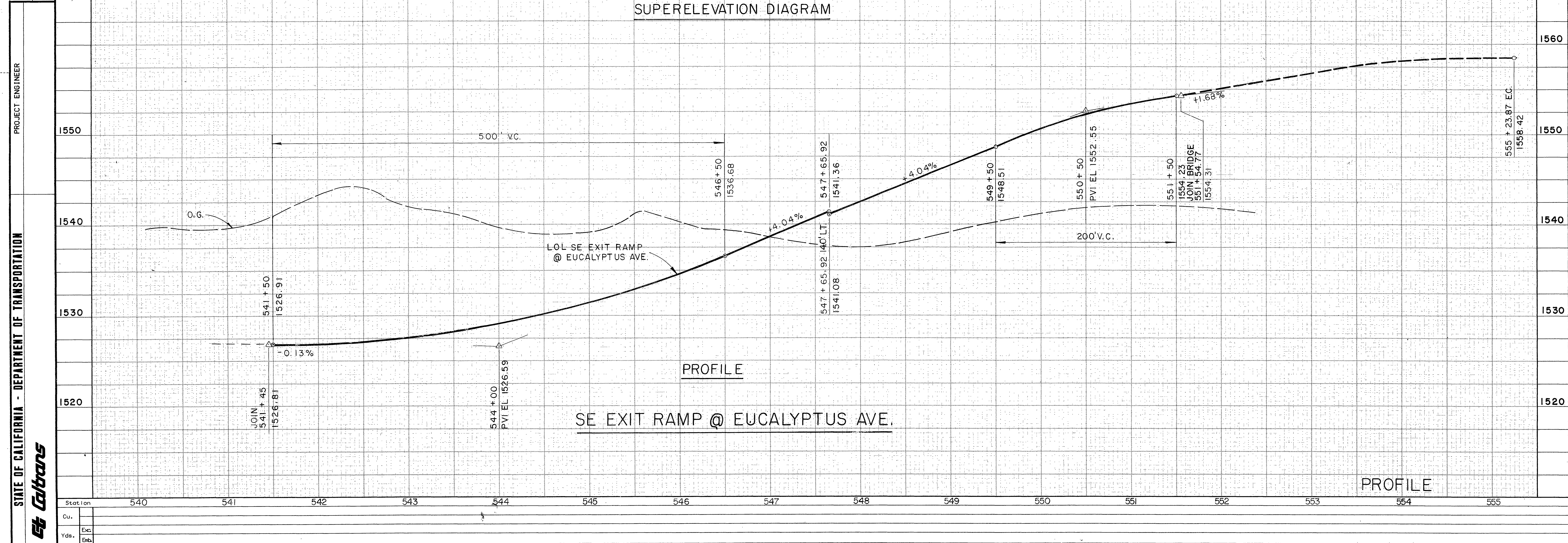
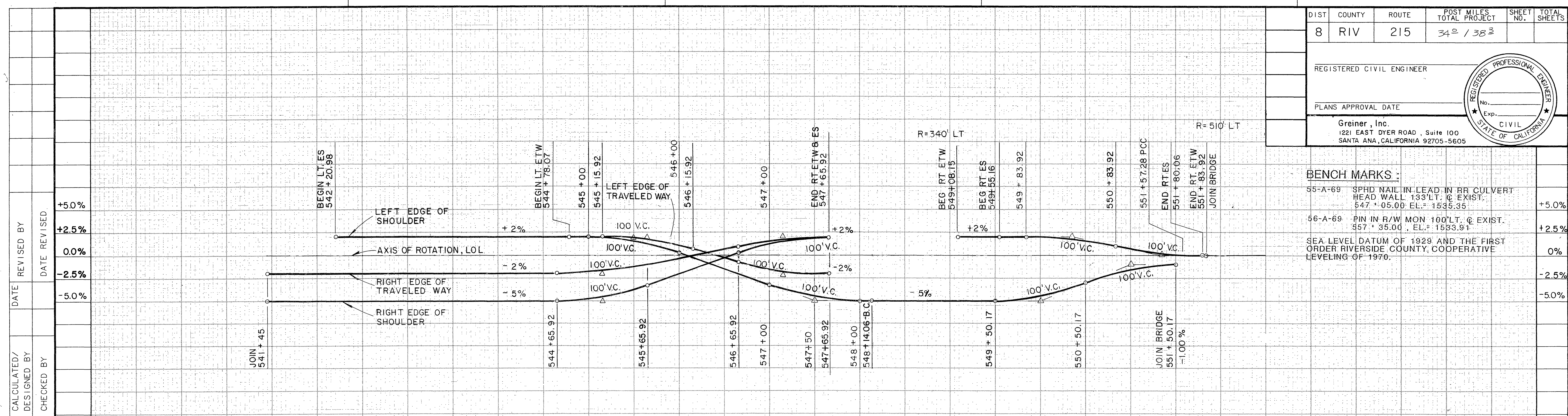


**BENCH MARKS:**

55-A-69 SPHD NAIL IN LEAD IN RR CULVERT HEAD WALL 133' LT. @ EXIST. 547 + 05.00, EL.: 1535.35 +5.0%

56-A-69 PIN IN R/W MON 100' LT. @ EXIST. 557 + 35.00, EL.: 1533.91 +2.5%

SEA LEVEL DATUM OF 1929 AND THE FIRST ORDER RIVERSIDE COUNTY COOPERATIVE LEVELING OF 1970. 0%



STATE OF CALIFORNIA - DEPARTMENT OF TRANSPORTATION  
**Caltrans**  
 PROJECT ENGINEER  
 CALCULATED/DESIGNED BY  
 CHECKED BY  
 DATE  
 REVISED BY  
 DATE REVISED

Station	540	541	542	543	544	545	546	547	548	549	550	551	552	553	554	555
Cu.																
Yds.																

FOR REDUCED PLANS ORIGINAL SCALE IS IN INCHES

CU EA R-3946

INDEXED 6-21-06 Lfh


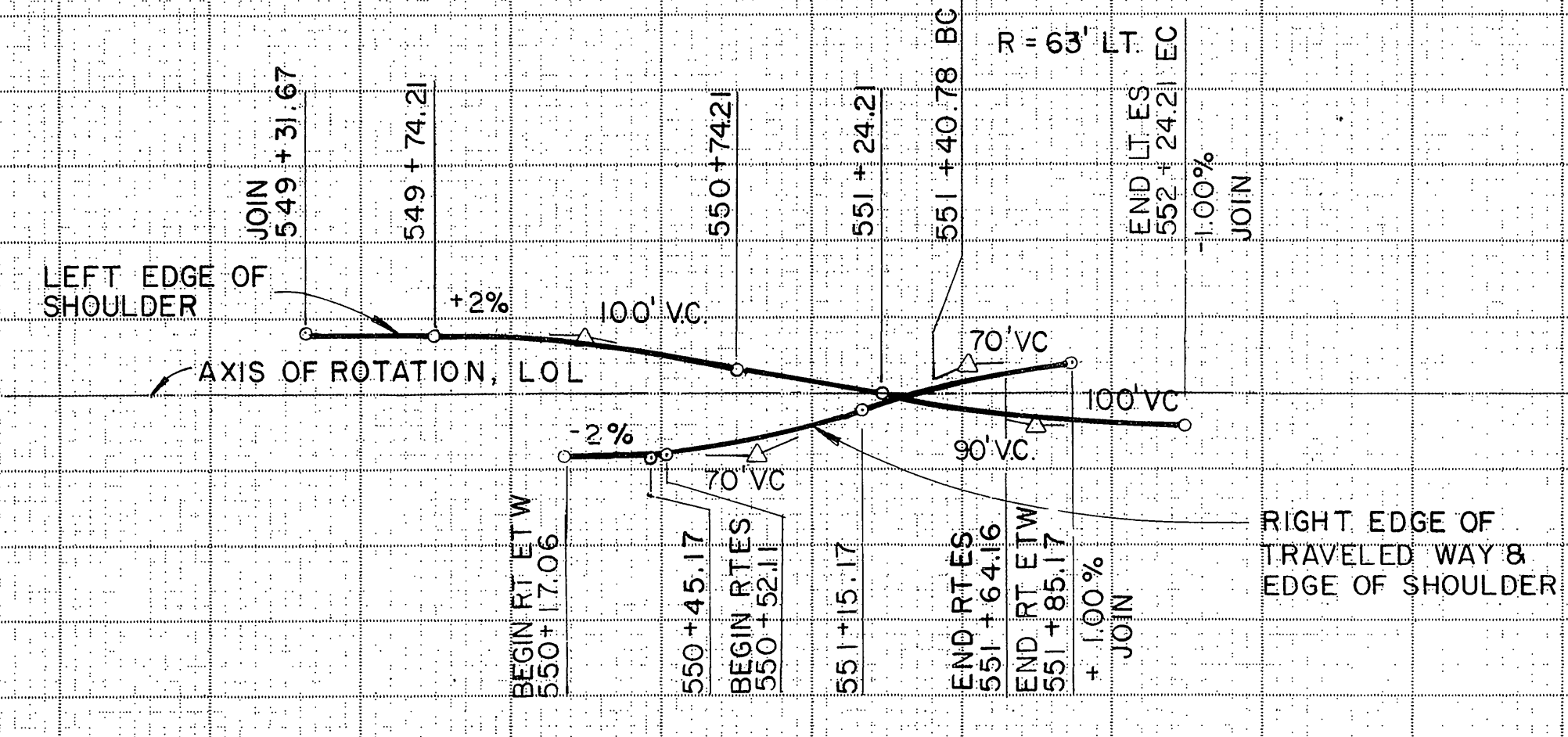
JAN 9 1999

DIST	COUNTY	ROUTE	POST MILES TOTAL PROJECT	SHEET NO.	TOTAL SHEETS
8	RIV	215	34.2 / 233		

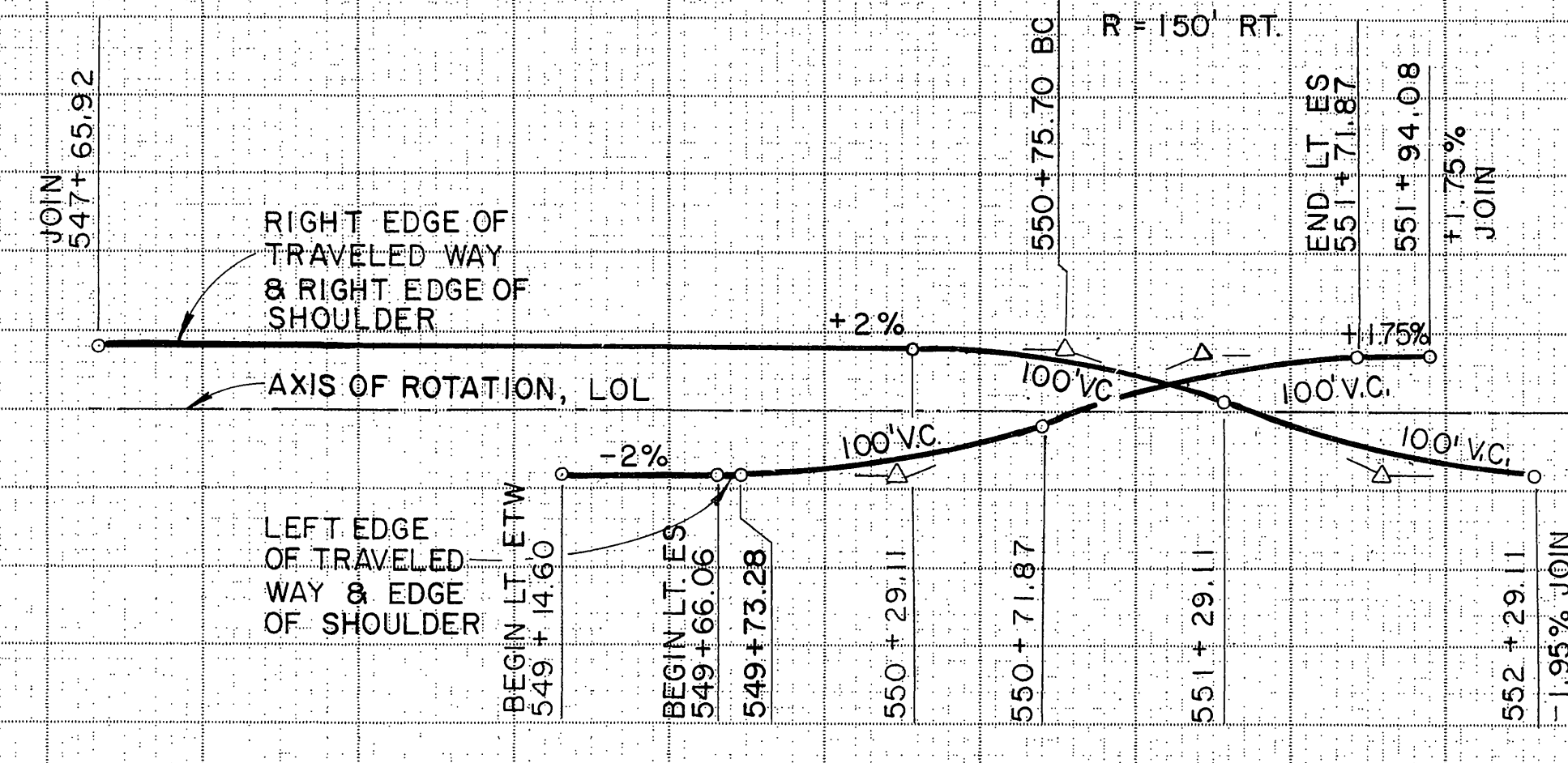
REGISTERED CIVIL ENGINEER

PLANS APPROVAL DATE

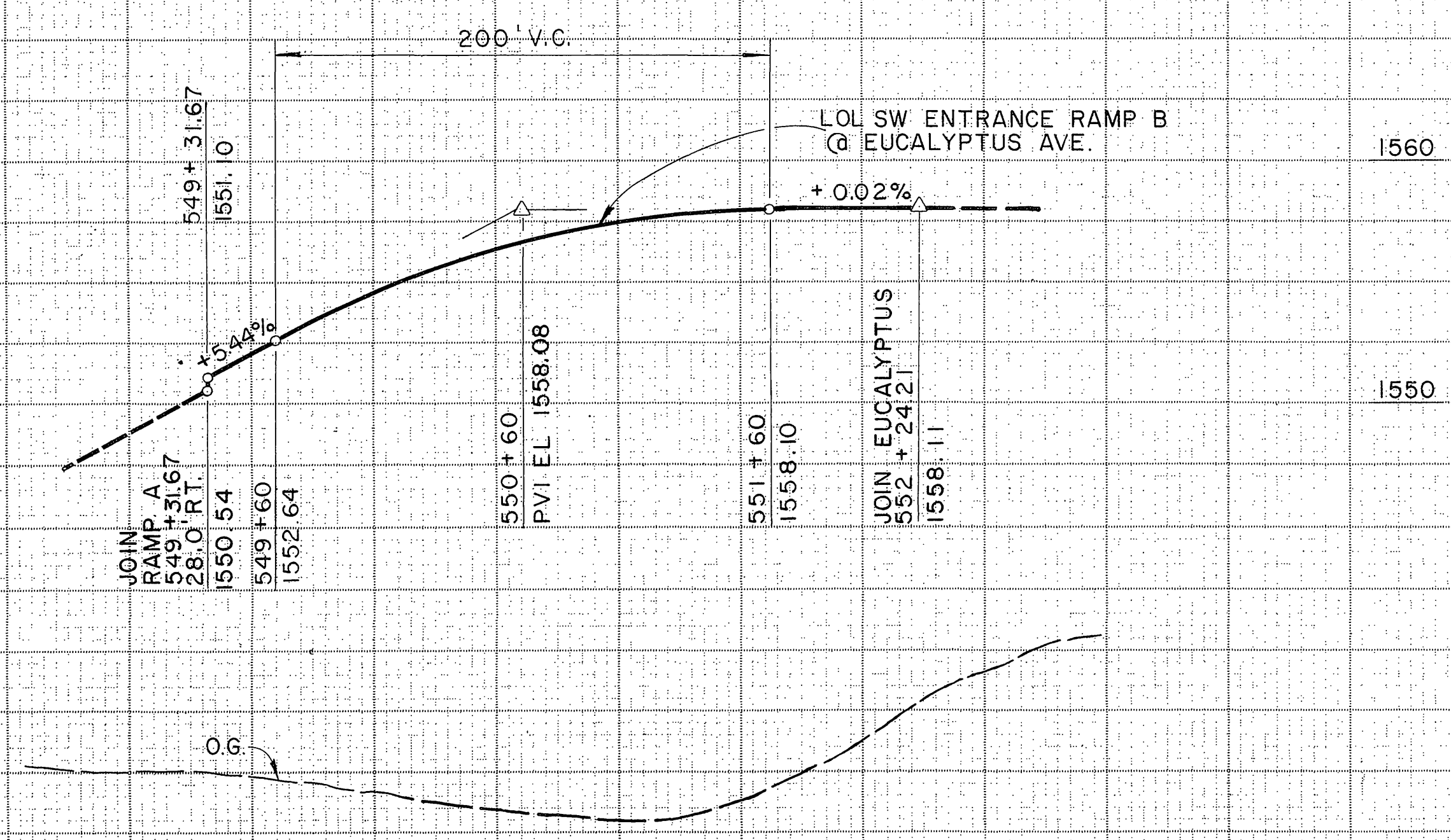
**Greiner, Inc.**  
1221 EAST DYER ROAD, Suite 100  
SANTA ANA, CALIFORNIA 92705-5605

SUPERELEVATION DIAGRAM

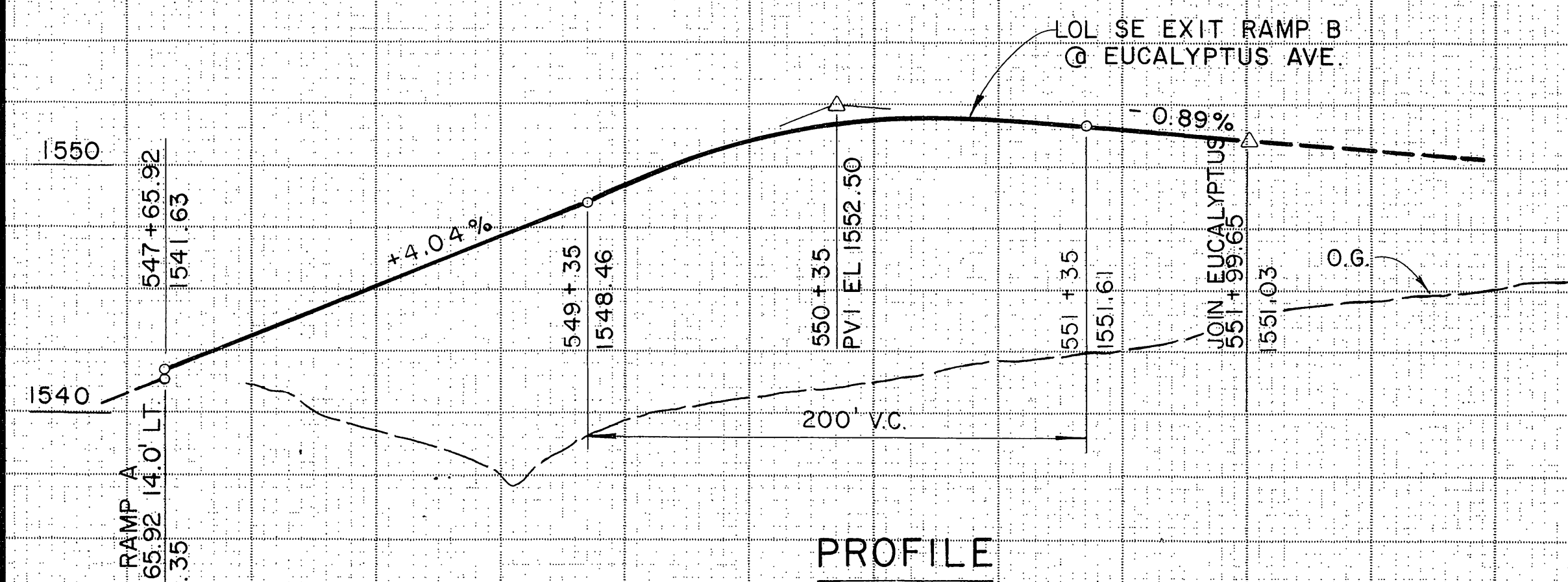


SUPERELEVATION DIAGRAM



PROFILE

SW ENTRANCE RAMP B @ EUCALYPTUS AVE.



PROFILE

SE EXIT RAMP B @ EUCALYPTUS AVE.

**BENCH MARKS:**

55-A-69 SPHD NAIL IN LEAD IN RR CULVERT HEAD WALL 133' LT. @ EXIST. 547 + 05.00 EL. 1535.35

56-A-69 PIN IN R/W MON 100' LT. @ EXIST. 557 + 35.00 EL. 1533.91

SEA LEVEL DATUM OF 1929 AND THE FIRST ORDER RIVERSIDE COUNTY COOPERATIVE LEVELING OF 1970.

STATE OF CALIFORNIA - DEPARTMENT OF TRANSPORTATION

PROJECT ENGINEER

DATE REVISED BY

DATE REVISED

CALCULATED/DESIGNED BY

CHECKED BY

STATE OF CALIFORNIA

Caltrans

Station	549	550	551	552	553
Cu.					
Exc.					
Emb.					

FOR REDUCED PLANS ORIGINAL SCALE IS IN INCHES



CU EA R-3946

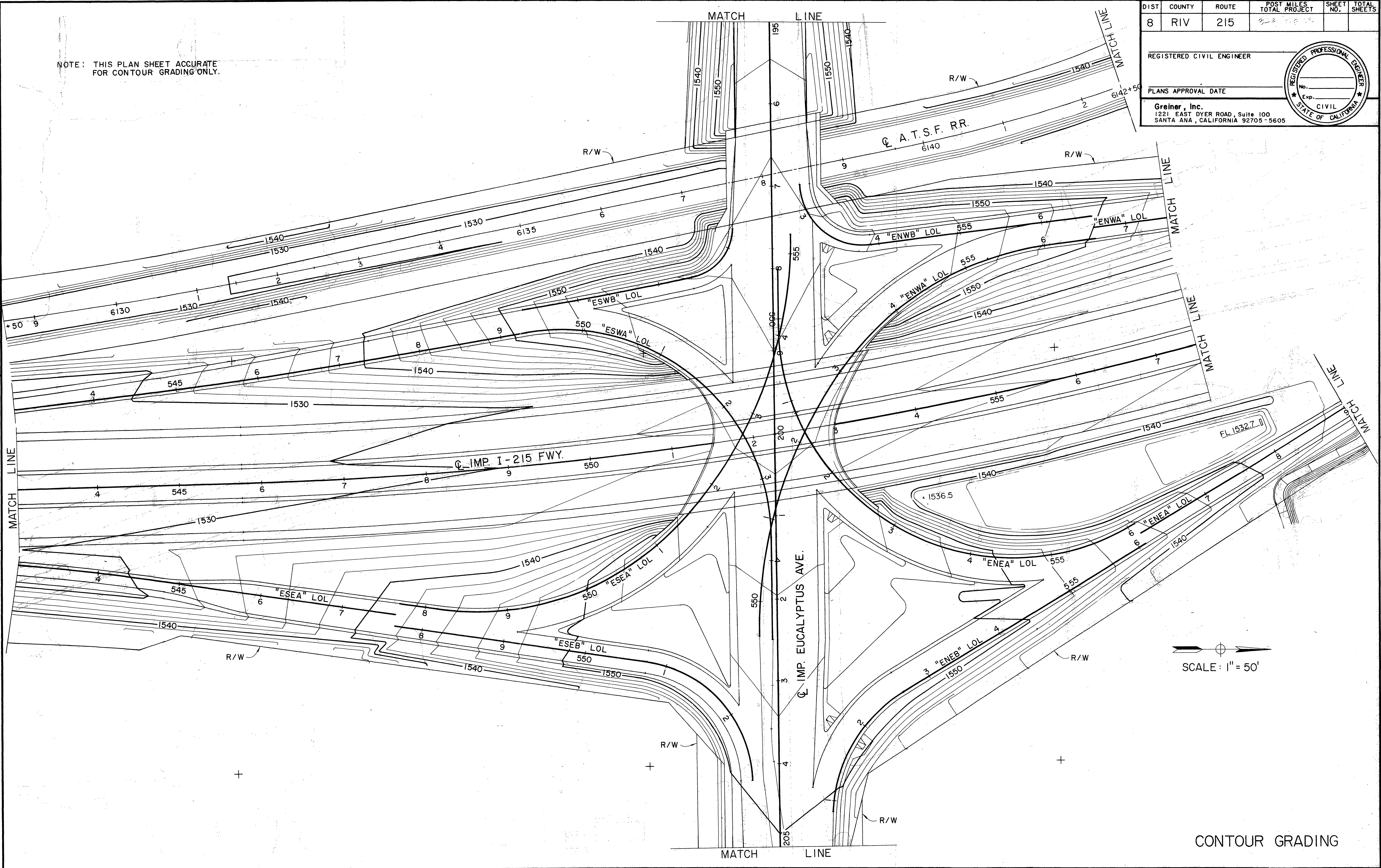
INDEXED 6-21-06 Lfh

STATE OF CALIFORNIA - DEPARTMENT OF TRANSPORTATION  
**Caltrans**

PROJECT ENGINEER  
 CALCULATED/DESIGNED BY  
 CHECKED BY

DATE REVISED BY  
 DATE REVISED

NOTE: THIS PLAN SHEET ACCURATE FOR CONTOUR GRADING ONLY.



DIST	COUNTY	ROUTE	POST MILES TOTAL PROJECT	SHEET NO.	TOTAL SHEETS
8	RIV	215	2.3	1	1

REGISTERED CIVIL ENGINEER

PLANS APPROVAL DATE

Greiner, Inc.  
 1221 EAST DYER ROAD, Suite 100  
 SANTA ANA, CALIFORNIA 92705-5605

SCALE: 1" = 50'

CONTOUR GRADING

FOR REDUCED PLANS ORIGINAL SCALE IS IN INCHES

CU EA R-3946

INDEXED 6-21-06 LTH

JAN 0 9 1989

NOTE: THIS PLAN-SHEET ACCURATE FOR CONTOUR GRADING ONLY.

DIST	COUNTY	ROUTE	POST MILES TOTAL PROJECT	SHEET NO.	TOTAL SHEETS
8	RIV	215			

REGISTERED CIVIL ENGINEER

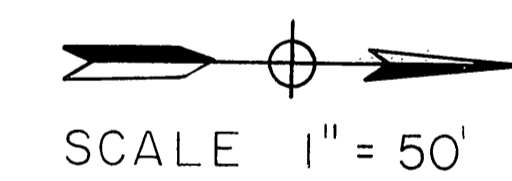
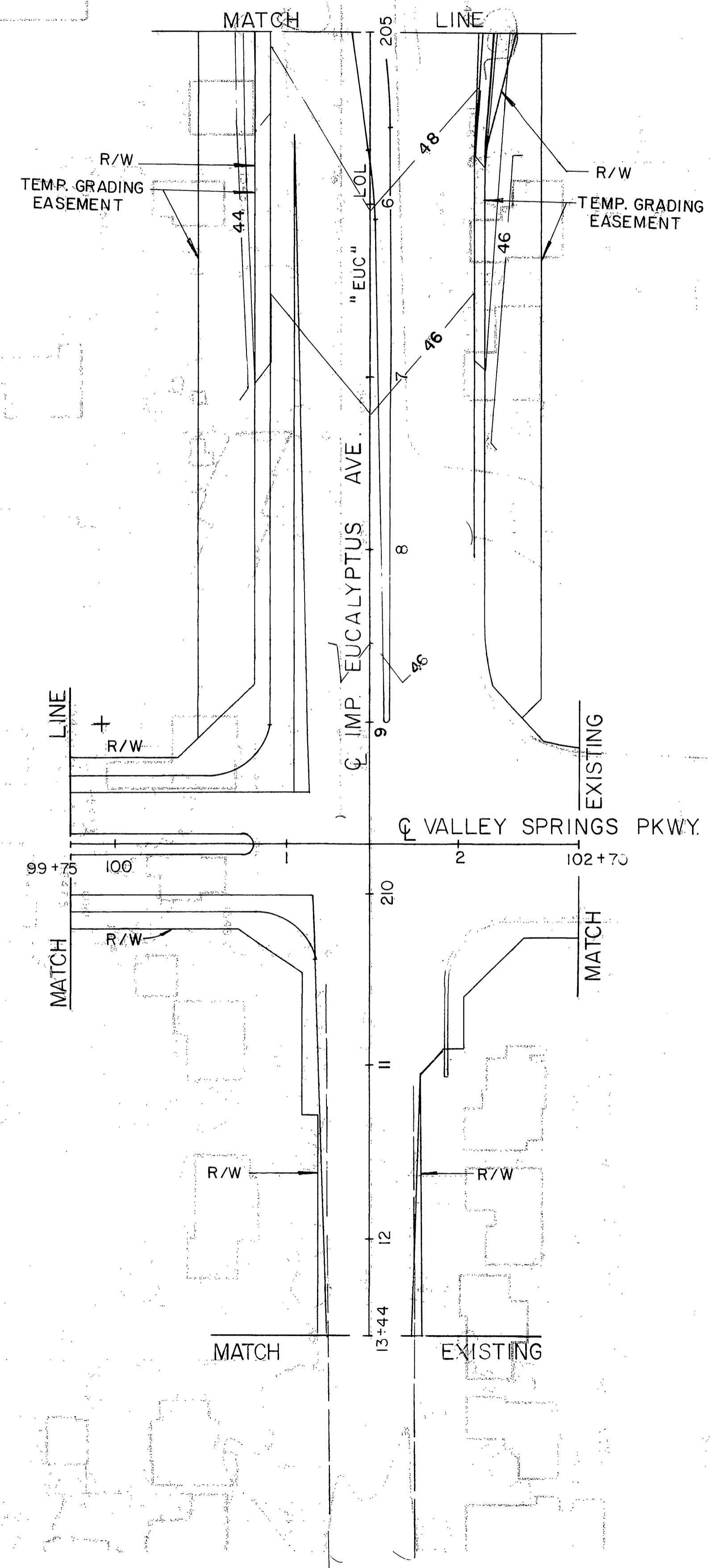
PLANS APPROVAL DATE

Greiner, Inc.  
1221 EAST DYER ROAD, Suite 100  
SANTA ANA, CALIFORNIA 92705-5605

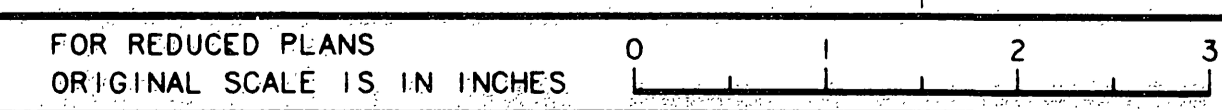
DATE	REVISOR	DATE	REVISOR

PROJECT ENGINEER

STATE OF CALIFORNIA - DEPARTMENT OF TRANSPORTATION  
**Et Caltrans**



CONTOUR GRADING



CU EA R-3946

INDEXED 6-21-06 LTH  
JAN 9 1989

DIST	COUNTY	ROUTE	POST MILES TOTAL PROJECT	SHEET NO.	TOTAL SHEETS
8	RIV	215	342/1382		

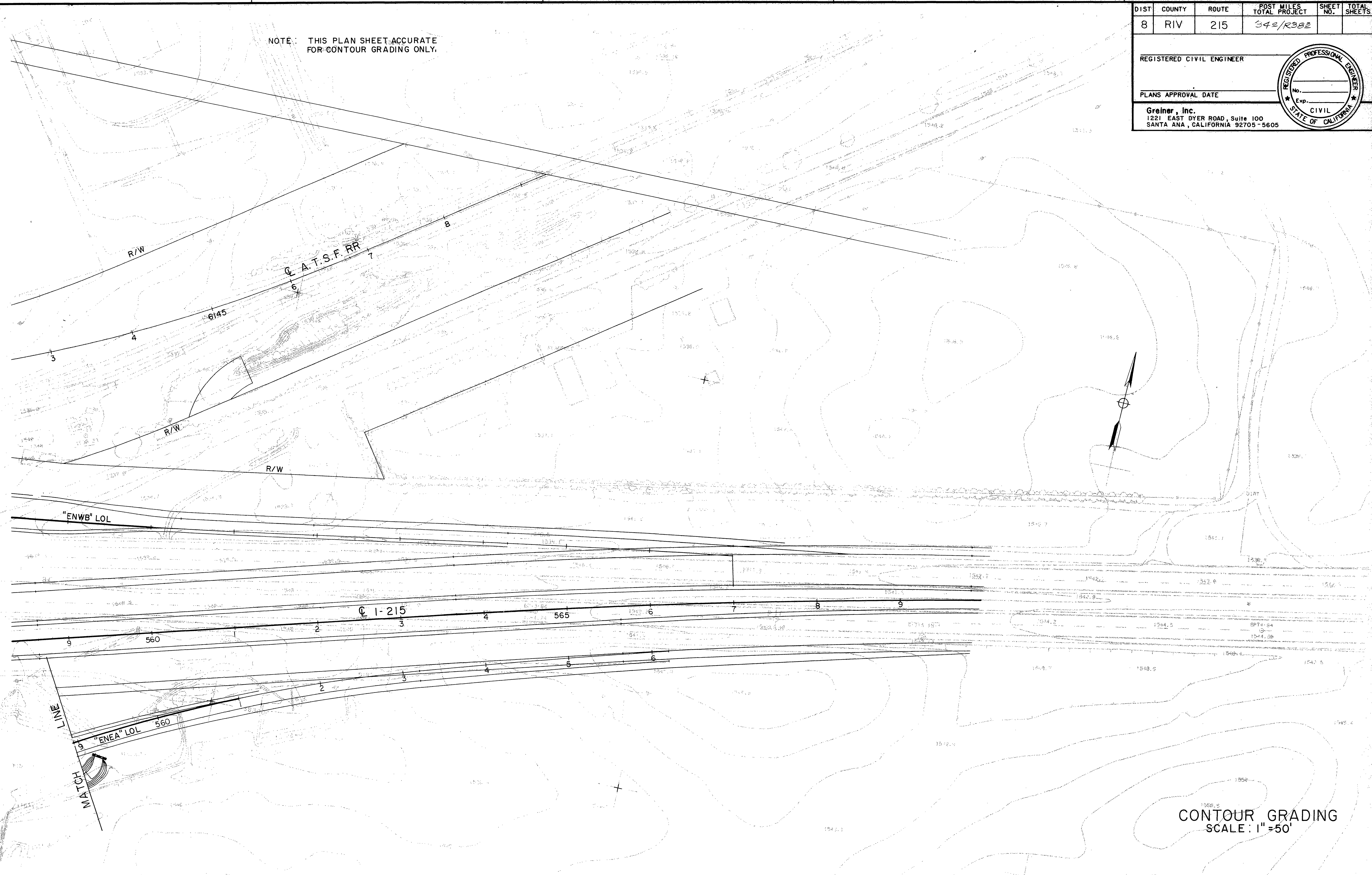
REGISTERED CIVIL ENGINEER



PLANS APPROVAL DATE

Greiner, Inc.  
1221 EAST DYER ROAD, Suite 100  
SANTA ANA, CALIFORNIA 92705-5605

NOTE: THIS PLAN SHEET ACCURATE FOR CONTOUR GRADING ONLY.



PROJECT ENGINEER	DESIGNED BY	CHECKED BY	DATE	REVISOR	DATE

STATE OF CALIFORNIA - DEPARTMENT OF TRANSPORTATION  
**Caltrans**

FOR REDUCED PLANS ORIGINAL SCALE IS IN INCHES



CONTOUR GRADING  
SCALE: 1" = 50'

CU EA R-3946

INDEXED 6-21-06 LHM



NOTE: THIS PLAN SHEET ACCURATE FOR DRAINAGE ONLY.

DIST	COUNTY	ROUTE	POST MILES TOTAL PROJECT	SHEET NO.	TOTAL SHEETS
8	RIV	215			

REGISTERED CIVIL ENGINEER

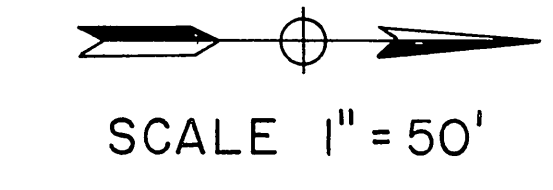
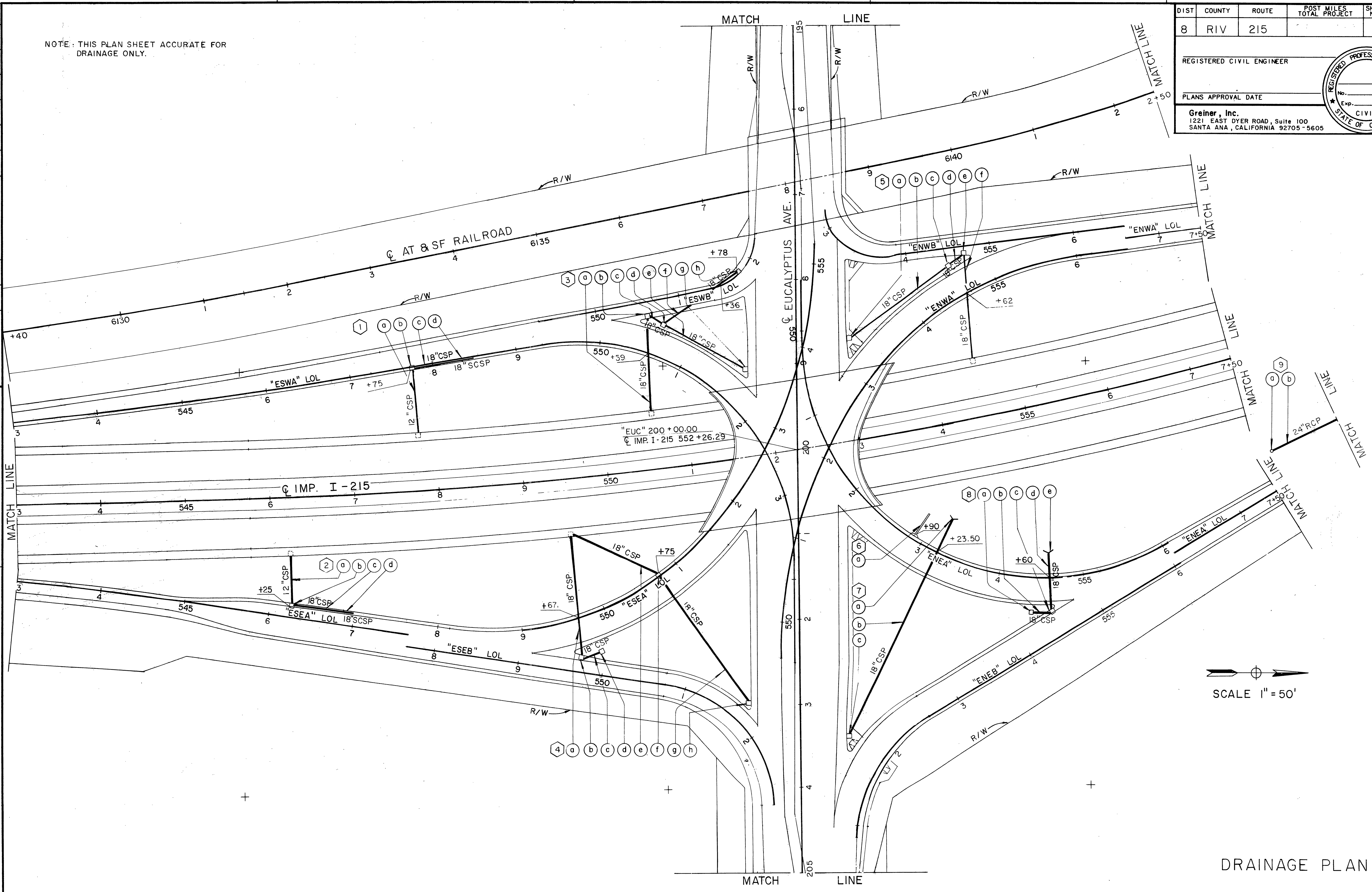
PLANS APPROVAL DATE

Greiner, Inc.  
1221 EAST DYER ROAD, Suite 100  
SANTA ANA, CALIFORNIA 92705-5605



PROJECT ENGINEER  
 STATE OF CALIFORNIA - DEPARTMENT OF TRANSPORTATION  
**St Colborn**

CALCULATED/DESIGNED BY  
 CHECKED BY  
 DATE  
 REVISED BY  
 DATE REVISED



DRAINAGE PLAN

FOR REDUCED PLANS ORIGINAL SCALE IS IN INCHES

CU EA R-3946

INDEXED 6-21-06 LHH

NOTE: THIS PLAN SHEET ACCURATE FOR DRAINAGE ONLY.

DIST	COUNTY	ROUTE	POST MILES TOTAL PROJECT	SHEET NO.	TOTAL SHEETS
8	RIV	215	348/382		

REGISTERED CIVIL ENGINEER

PLANS APPROVAL DATE

**Greiner, Inc.**  
1221 EAST DYER ROAD, Suite 100  
SANTA ANA, CALIFORNIA 92705-5605

STATE OF CALIFORNIA - DEPARTMENT OF TRANSPORTATION  
**Caltrans**

PROJECT ENGINEER

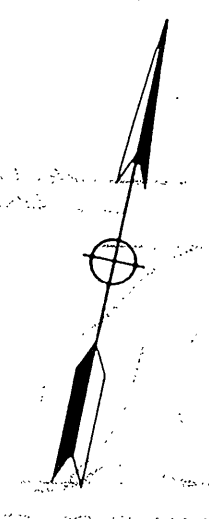
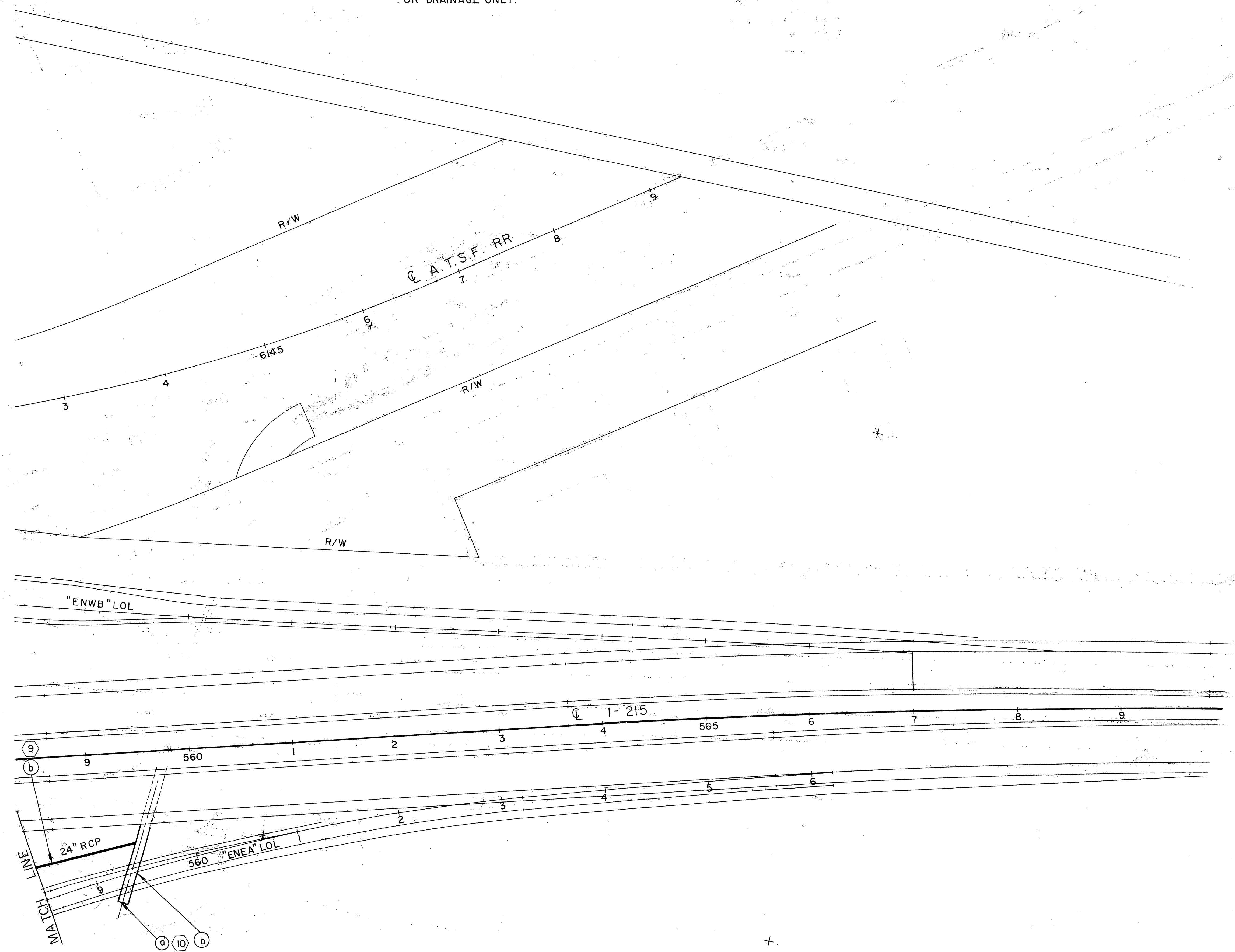
CALCULATED/DESIGNED BY

CHECKED BY

DATE

REVISED BY

DATE REVISED



DRAINAGE PLAN  
SCALE: 1" = 50'

FOR REDUCED PLANS ORIGINAL SCALE IS IN INCHES

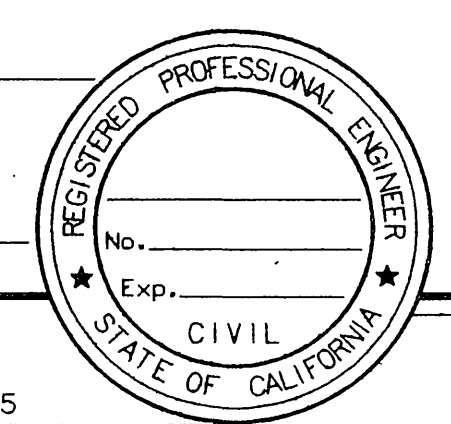
CU EA R-3946

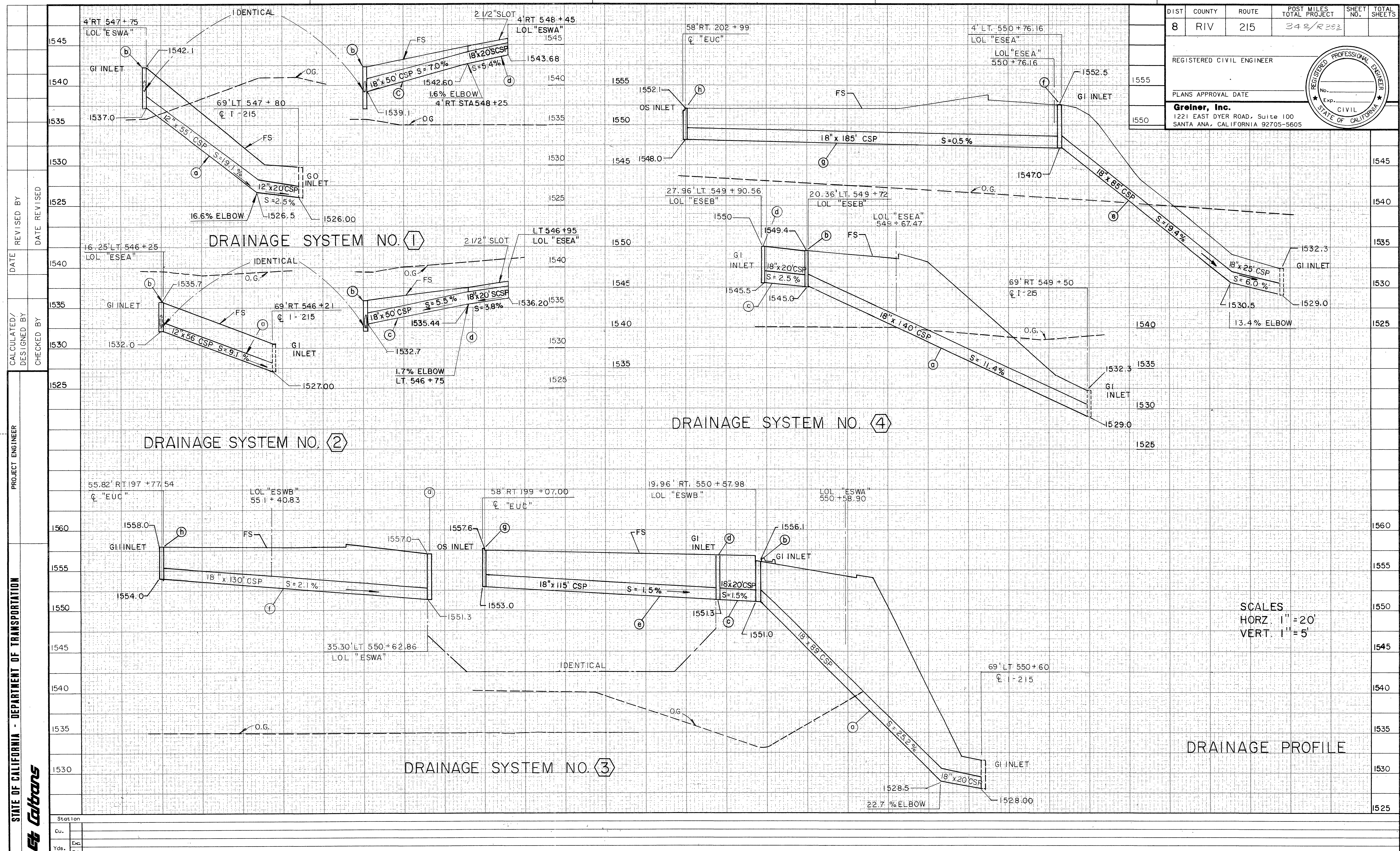
INDEXED 6-21-06 Lfh

JAN 09 1999

DIST	COUNTY	ROUTE	POST MILES TOTAL PROJECT	SHEET NO.	TOTAL SHEETS
8	RIV	215	342/R352		

REGISTERED CIVIL ENGINEER	
PLANS APPROVAL DATE	
Greiner, Inc. 1221 EAST DYER ROAD, Suite 100 SANTA ANA, CALIFORNIA 92705-5605	



REVISOR: \_\_\_\_\_ DATE: \_\_\_\_\_

CHECKED BY: \_\_\_\_\_

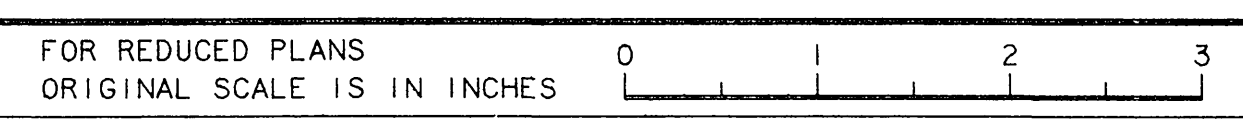
DESIGNED BY: \_\_\_\_\_

PROJECT ENGINEER: \_\_\_\_\_

STATE OF CALIFORNIA - DEPARTMENT OF TRANSPORTATION

**Caltrans**

Station	
Cu.	
Yds.	
Emb.	





DIST	COUNTY	ROUTE	POST MILES TOTAL PROJECT	SHEET NO.	TOTAL SHEETS
8	RIV	215	542/R323		

REGISTERED CIVIL ENGINEER

PLANS APPROVAL DATE

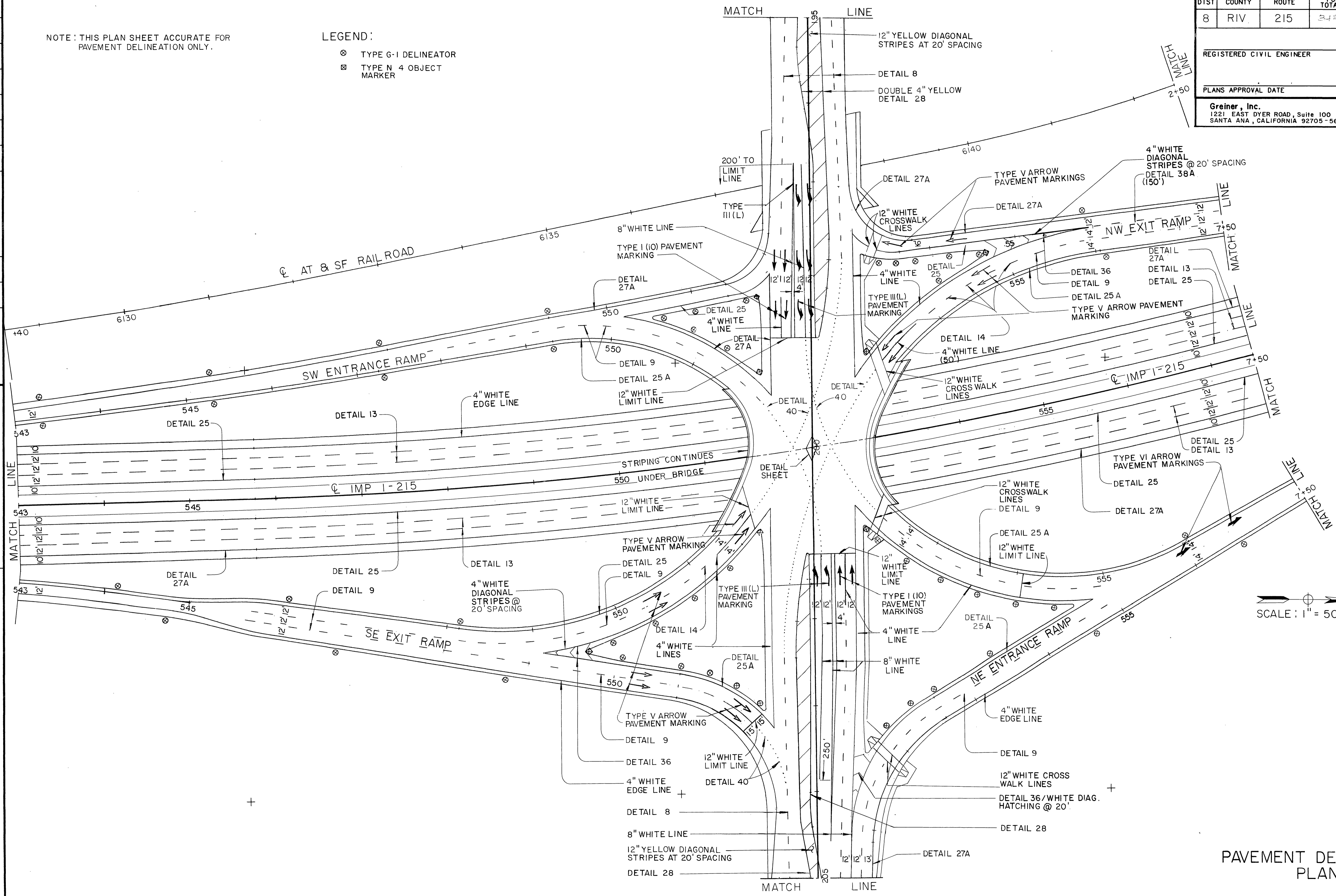
**Greiner, Inc.**  
1221 EAST DYER ROAD, Suite 100  
SANTA ANA, CALIFORNIA 92705-5605

NOTE: THIS PLAN SHEET ACCURATE FOR PAVEMENT DELINEATION ONLY.

LEGEND:

- ⊗ TYPE G-1 DELINEATOR
- ⊠ TYPE N 4 OBJECT MARKER

PROJECT ENGINEER  
 CALCULATED/DESIGNED BY  
 CHECKED BY  
 DATE REVISED BY  
 DATE REVISED



SCALE: 1" = 50'

PAVEMENT DELINEATION PLAN

FOR REDUCED PLANS ORIGINAL SCALE IS IN INCHES

CU EA R-3946

INDEXED 6-21-06 LfH

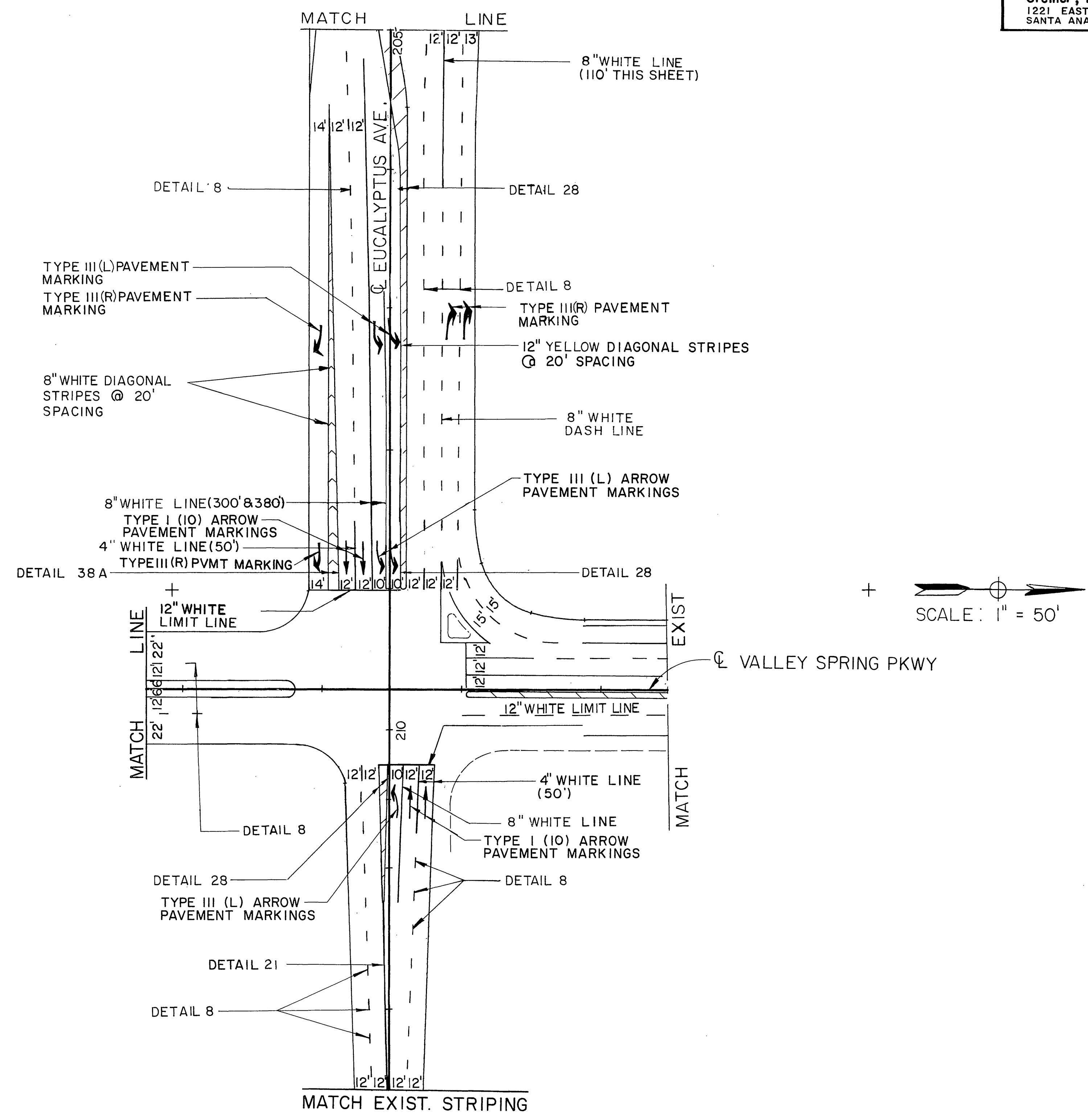
STATE OF CALIFORNIA - DEPARTMENT OF TRANSPORTATION  
**Et Caltrans**

DIST	COUNTY	ROUTE	POST MILES TOTAL PROJECT	SHEET NO.	TOTAL SHEETS
8	RIV	215	34.1/35.8		

REGISTERED CIVIL ENGINEER	
PLANS APPROVAL DATE	
<b>Greiner, Inc.</b> 1221 EAST DYER ROAD, Suite 100 SANTA ANA, CALIFORNIA 92705-5605	

NOTE: THIS PLAN SHEET ACCURATE FOR PAVEMENT DELINEATION ONLY.



STATE OF CALIFORNIA - DEPARTMENT OF TRANSPORTATION  
**St Colborns**

DATE	REVISOR	DATE	REVISOR

DATE	DESIGNED BY	DATE	CHECKED BY

PROJECT ENGINEER

FOR REDUCED PLANS ORIGINAL SCALE IS IN INCHES 0 1 2 3

PAVEMENT DELINEATION PLAN

CU EA R-3946

INDEXED 6-21-06 Lfh

JAN 9 1999



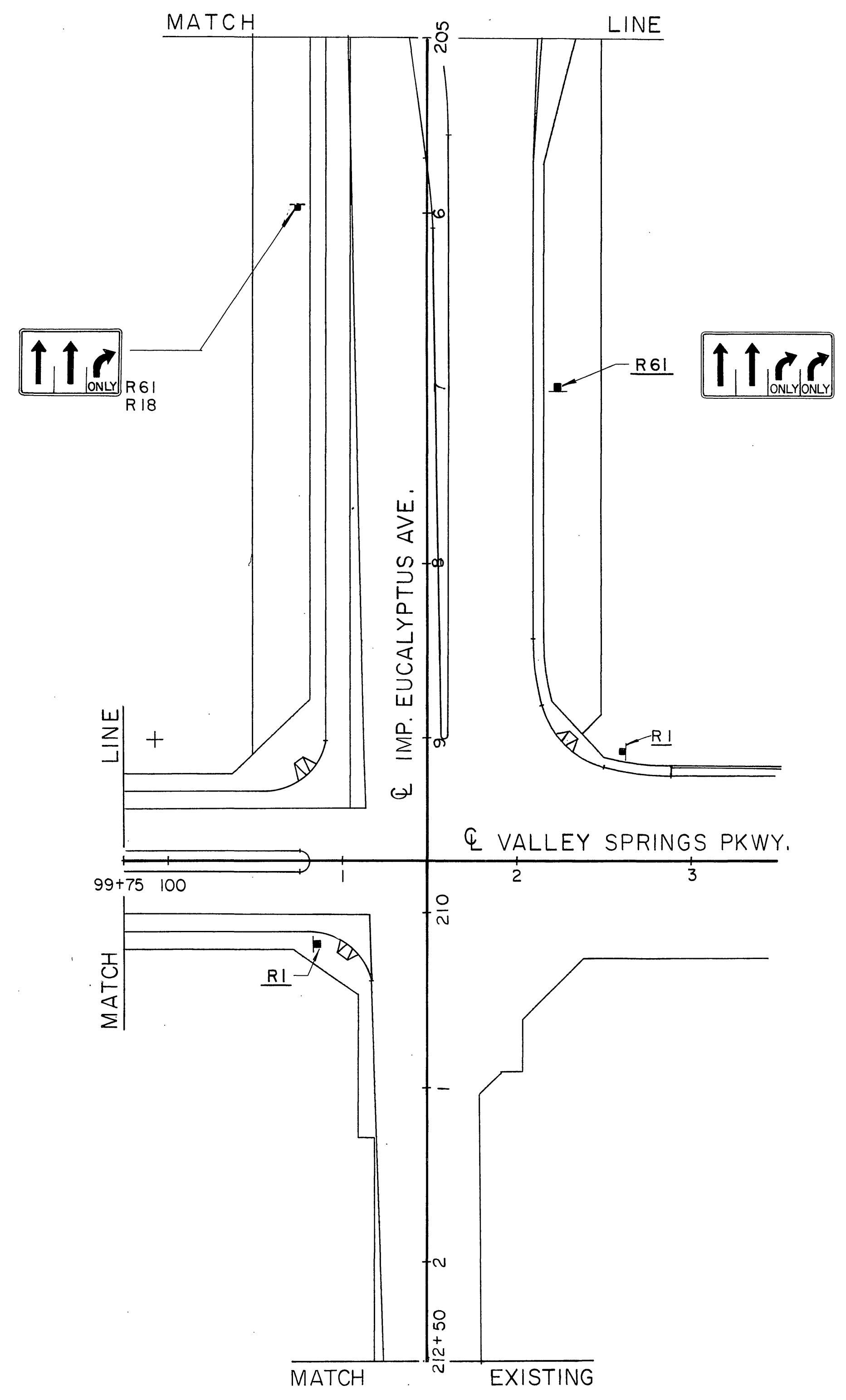
DIST	COUNTY	ROUTE	POST MILES TOTAL PROJECT	SHEET NO.	TOTAL SHEETS
8	RIV	215	342/R582		

REGISTERED CIVIL ENGINEER

PLANS APPROVAL DATE

Greiner, Inc.  
1221 EAST DYER ROAD, Suite 100  
SANTA ANA, CALIFORNIA 92705-5605

NOTE: THIS PLAN SHEET ACCURATE FOR SIGNING ONLY.



SCALE: 1" = 50'

STATE OF CALIFORNIA - DEPARTMENT OF TRANSPORTATION  
**Caltrans**

PROJECT ENGINEER	CALCULATED/DESIGNED BY	CHECKED BY	DATE	REVISOR	DATE

FOR REDUCED PLANS ORIGINAL SCALE IS IN INCHES

CU EA R3946

INDEXED 6-21-06 LFH JAN 9 1999





DIST	COUNTY	ROUTE	POST MILES TOTAL PROJECT	SHEET NO.	TOTAL SHEETS
8	RIV	215	342/R382		

REGISTERED CIVIL ENGINEER

PLANS APPROVAL DATE

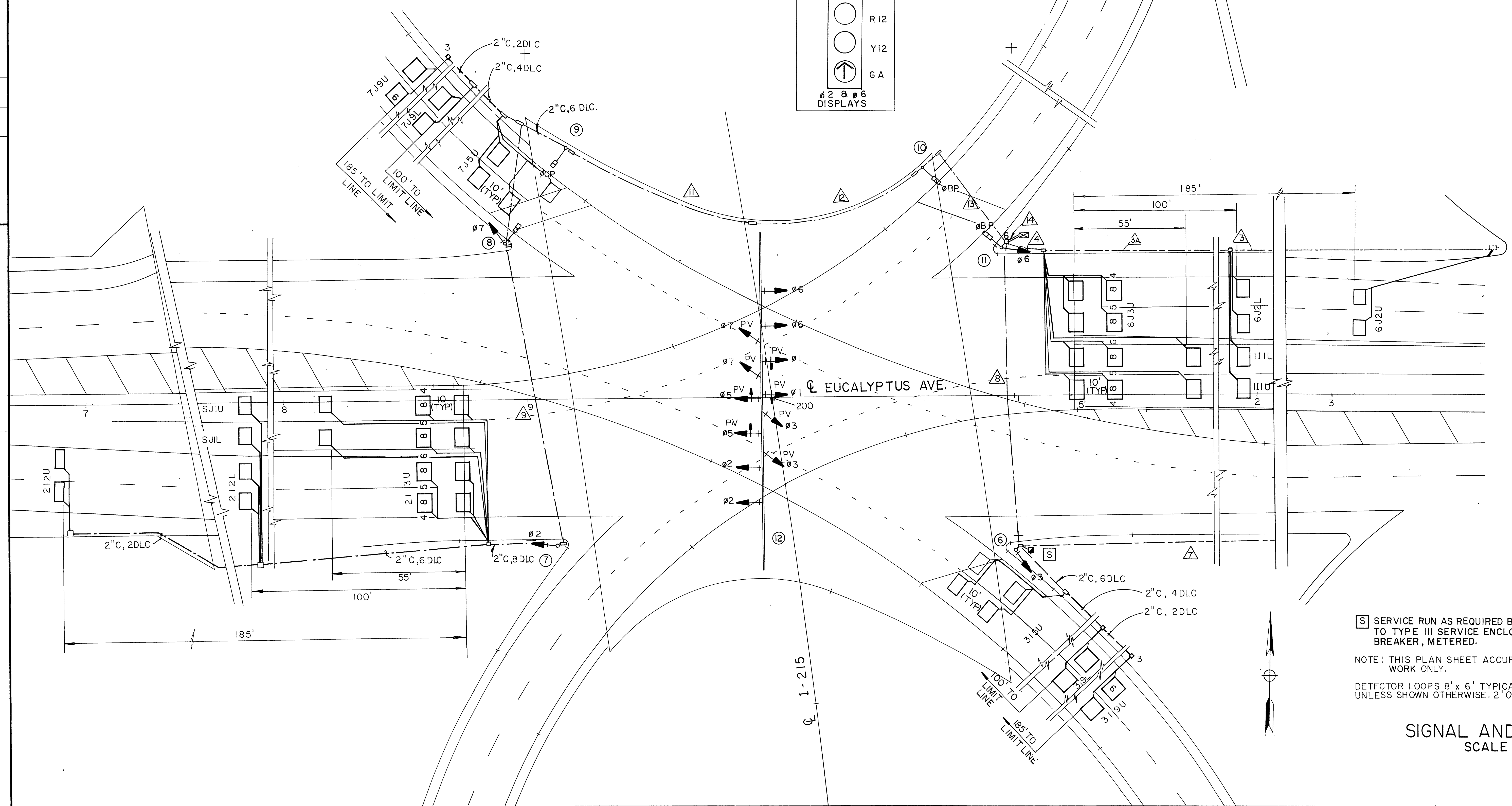
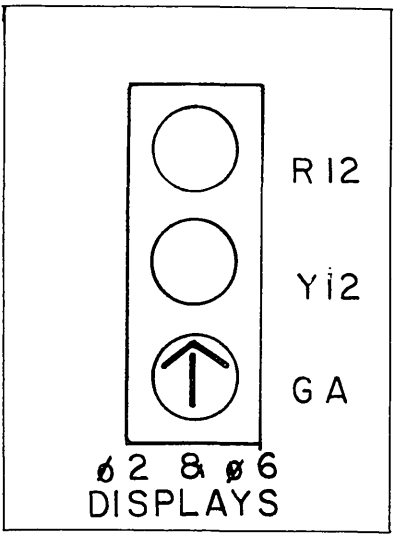
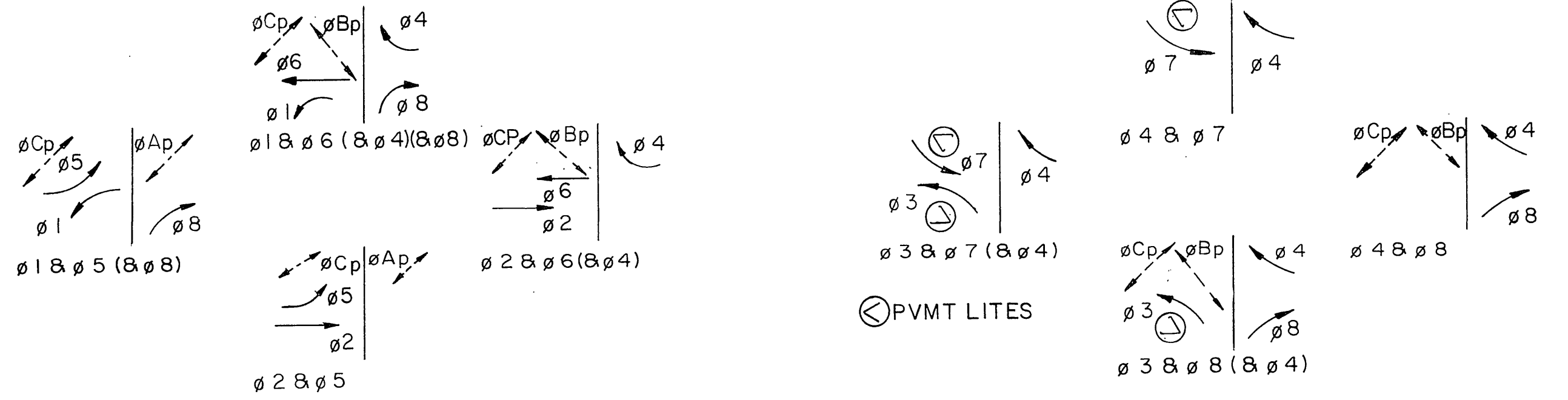
**Greiner, Inc.**  
1221 EAST DYER ROAD, Suite 100  
SANTA ANA, CALIFORNIA 92705-5605

STATE OF CALIFORNIA - DEPARTMENT OF TRANSPORTATION  
**St Coltrane**

PROJECT ENGINEER

DATE REVISED BY DATE REVISED

CALCULATED/DESIGNED BY CHECKED BY



[S] SERVICE RUN AS REQUIRED BY UTILITY TO TYPE III SERVICE ENCLOSURE 50AMP BREAKER, METERED.

NOTE: THIS PLAN SHEET ACCURATE FOR ELECTRICAL WORK ONLY.

DETECTOR LOOPS 8' x 6' TYPICAL, CENTERED IN LANE UNLESS SHOWN OTHERWISE, 2' OVER LIMIT LINE.

**SIGNAL AND LIGHTING**  
SCALE : 1" = 20'



DIST	COUNTY	ROUTE	POST MILES TOTAL PROJECT	SHEET NO.	TOTAL SHEETS
8	RIV	215	342/12383		

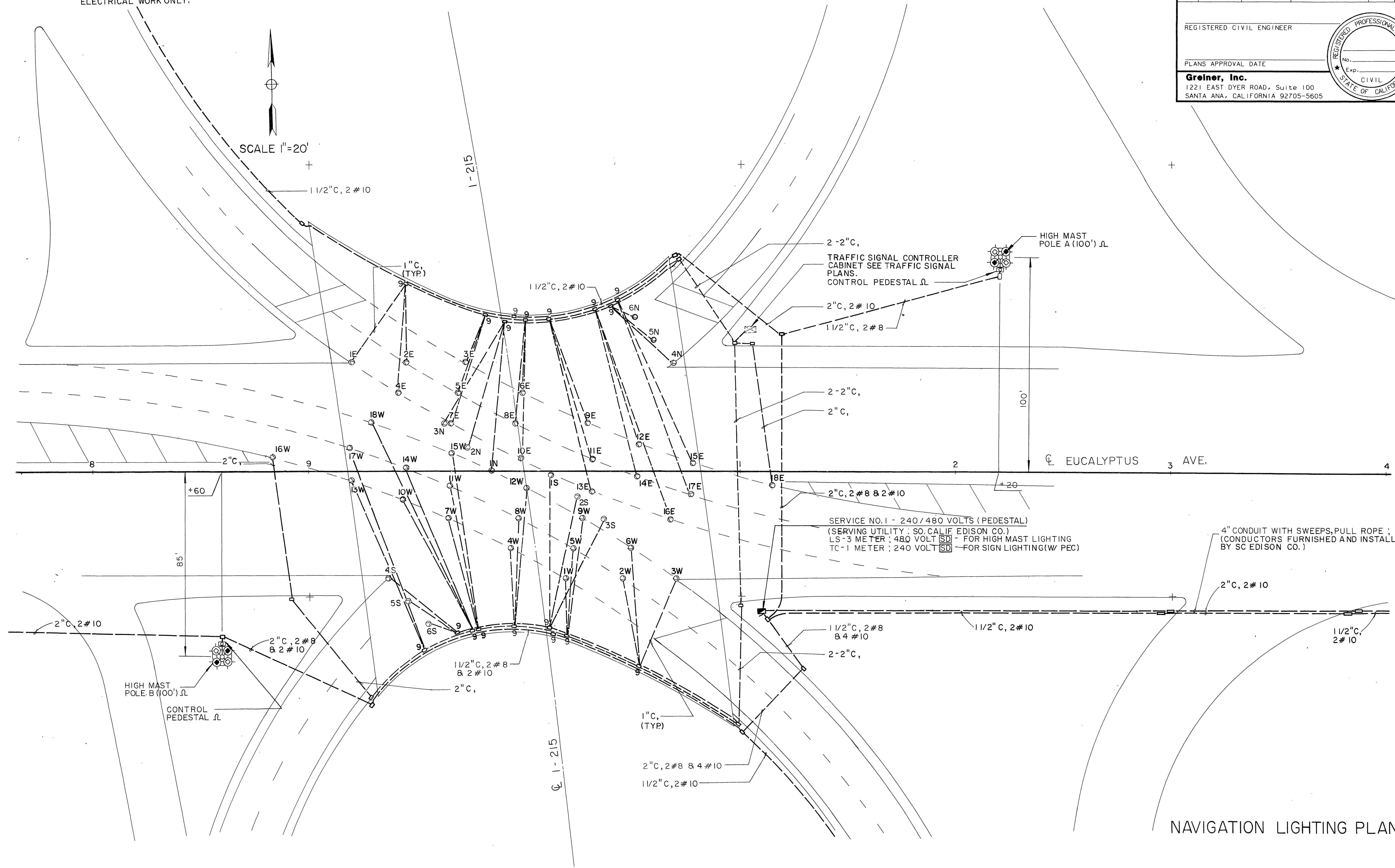
REGISTERED CIVIL ENGINEER

PLANS APPROVAL DATE

**Greiner, Inc.**  
1221 EAST DYER ROAD, Suite 100  
SANTA ANA, CALIFORNIA 92705-5605

NOTE: THIS PLAN ACCURATE FOR ELECTRICAL WORK ONLY.

SCALE 1"=20'



NAVIGATION LIGHTING PLAN

STATE OF CALIFORNIA - DEPARTMENT OF TRANSPORTATION  
**Caltrans**

DATE	REVISOR	DATE	REVISOR

CALCULATED/DESIGNED BY  
CHECKED BY

PROJECT ENGINEER

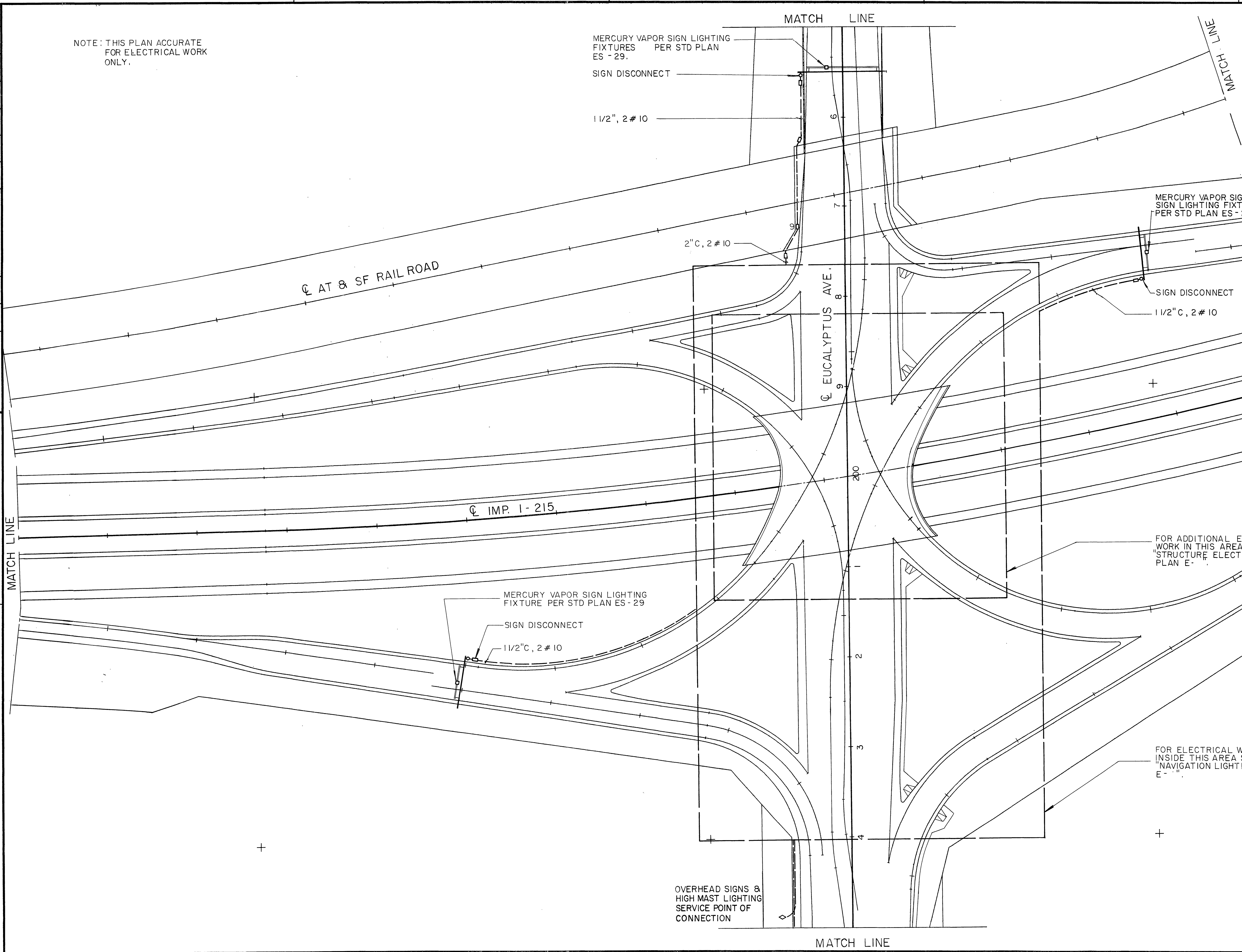
STATE OF CALIFORNIA - DEPARTMENT OF TRANSPORTATION  
**Caltrans**

FOR REDUCED PLANS ORIGINAL SCALE IS IN INCHES

CU EA R-3946

INDEXED 6-21-06 fff

STATE OF CALIFORNIA - DEPARTMENT OF TRANSPORTATION  
*Et Caltrans*



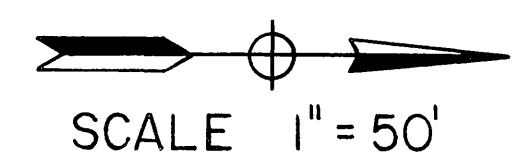
DIST	COUNTY	ROUTE	POST MILES TOTAL PROJECT	SHEET NO.	TOTAL SHEETS
8	RIV	215	342/R382		

REGISTERED CIVIL ENGINEER

PLANS APPROVAL DATE

**Greiner, Inc.**  
 1221 EAST DYER ROAD, Suite 100  
 SANTA ANA, CALIFORNIA 92705-5605

NOTE: THIS PLAN ACCURATE FOR ELECTRICAL WORK ONLY.



SIGNS AND ELECTRICAL

FOR REDUCED PLANS ORIGINAL SCALE IS IN INCHES

CU EA R-3946

INDEXED 6-21-06 Lft

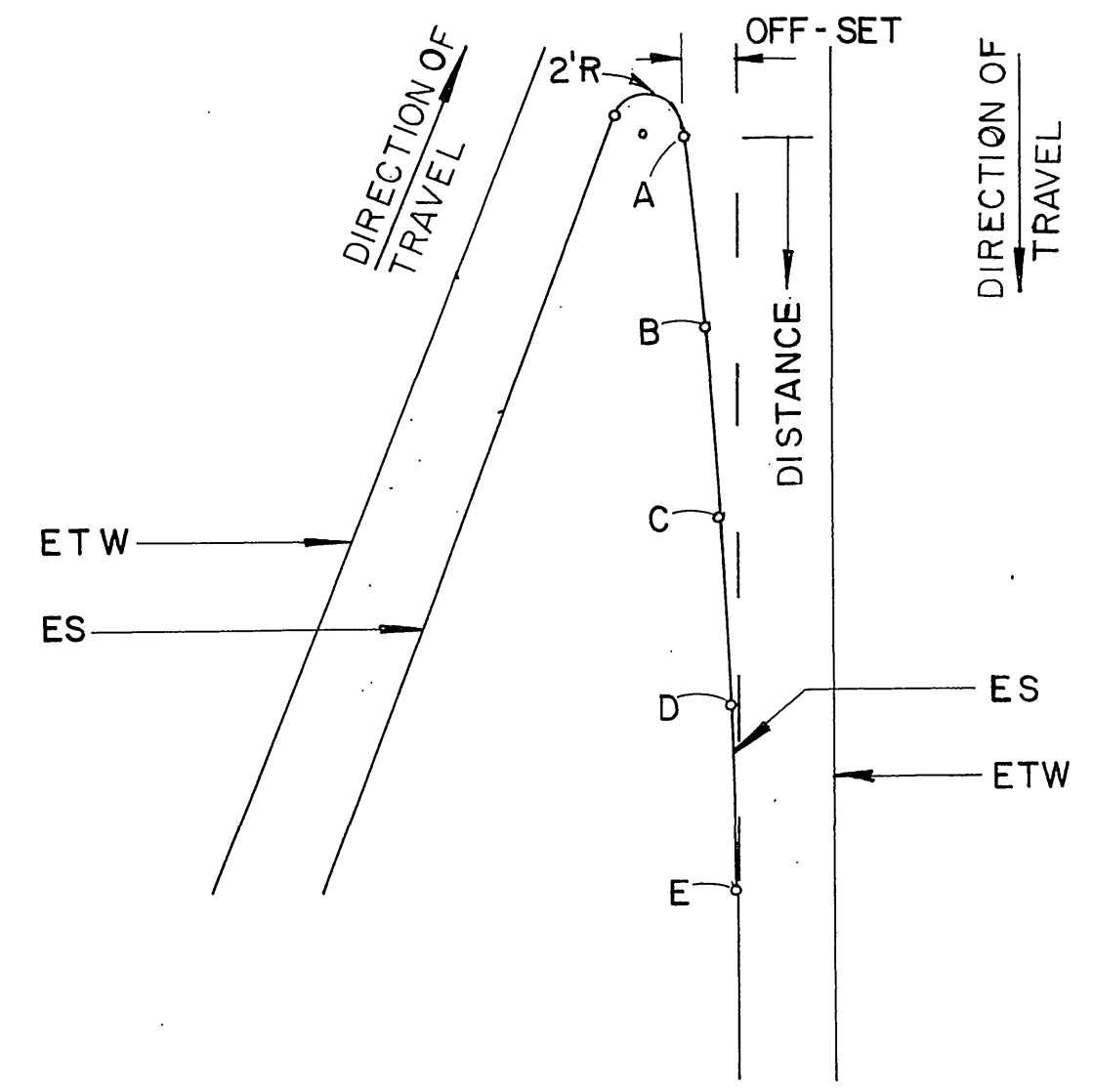
DIST	COUNTY	ROUTE	POST MILES TOTAL PROJECT	SHEET NO.	TOTAL SHEETS
8	RIV.	215	34/R382		

REGISTERED CIVIL ENGINEER

PLANS APPROVAL DATE \_\_\_\_\_

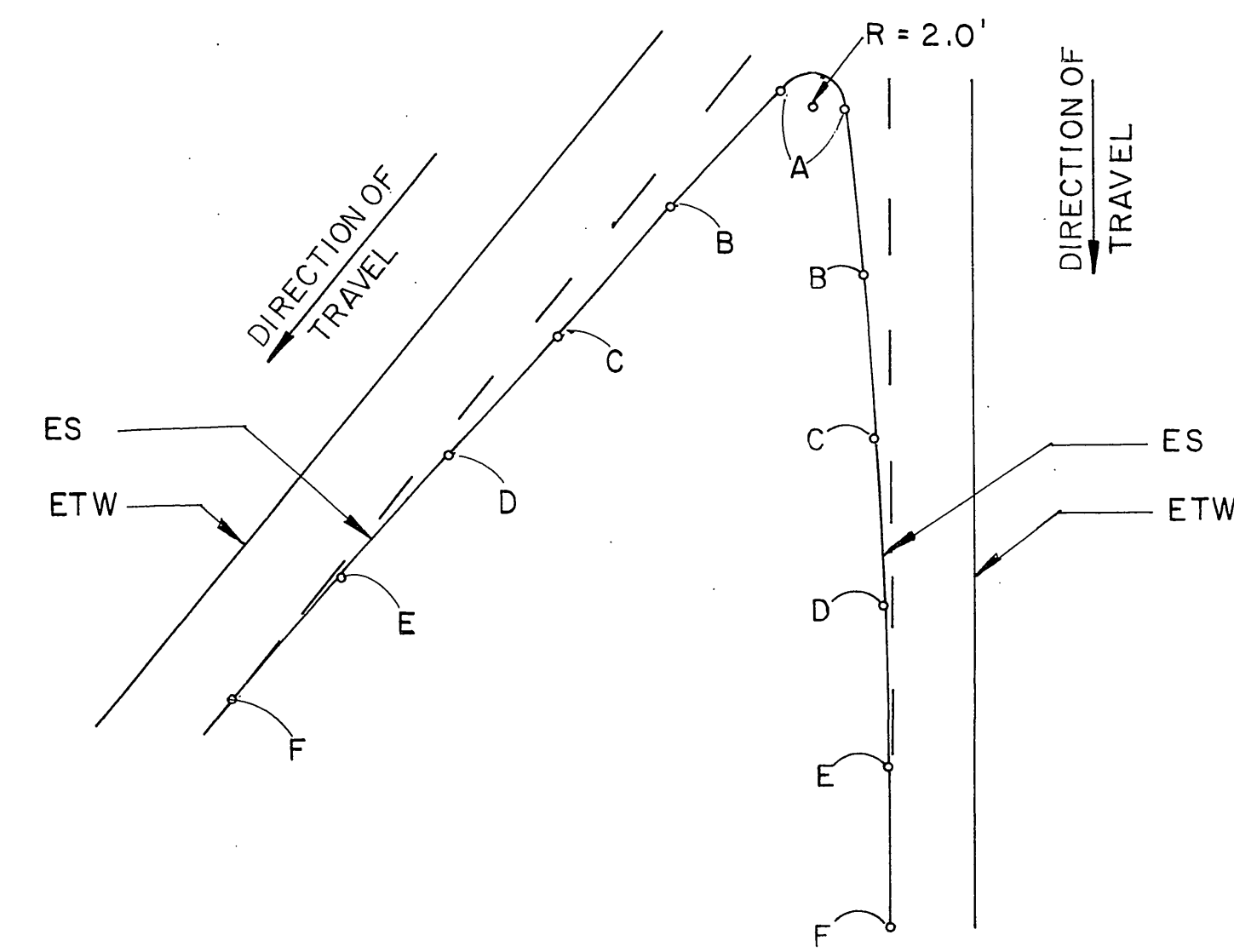
**Greiner, Inc.**  
1221 EAST DYER ROAD, Suite 100  
SANTA ANA, CALIFORNIA 92705-5605

OFFSET	A	B	C	D	E	F
	3.00'	1.92'	1.08'	0.48'	0.12'	0.00'
DISTANCE	0.00'	10.00'	20.00'	30.00'	40.00'	50.00'

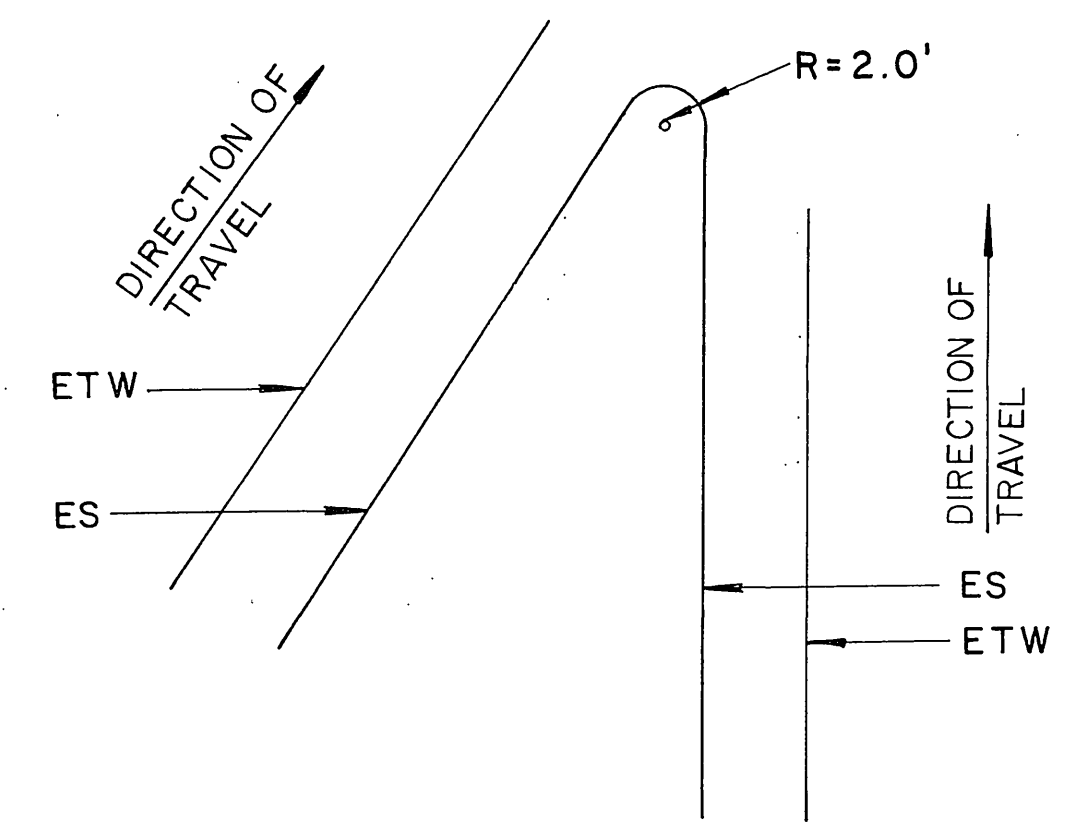


TYPICAL PARABOLIC OFFSET DETAIL  
ONE SIDE  
SCALE: 1" = 10'

OFFSET	A	B	C	D	E	F
	3.00'	1.92'	1.08'	0.48'	0.12'	0.00'
DISTANCE	0.00'	10.00'	20'	30'	40'	50'



TYPICAL PARABOLIC OFF-SET DETAILS  
TWO SIDES



TYPICAL NOSE DETAIL  
SCALE: 1" = 10'

STATE OF CALIFORNIA - DEPARTMENT OF TRANSPORTATION  
**Ed Colburn**  
PROJECT ENGINEER

CALCULATED/DESIGNED BY  
CHECKED BY

DATE  
DATE REVISED

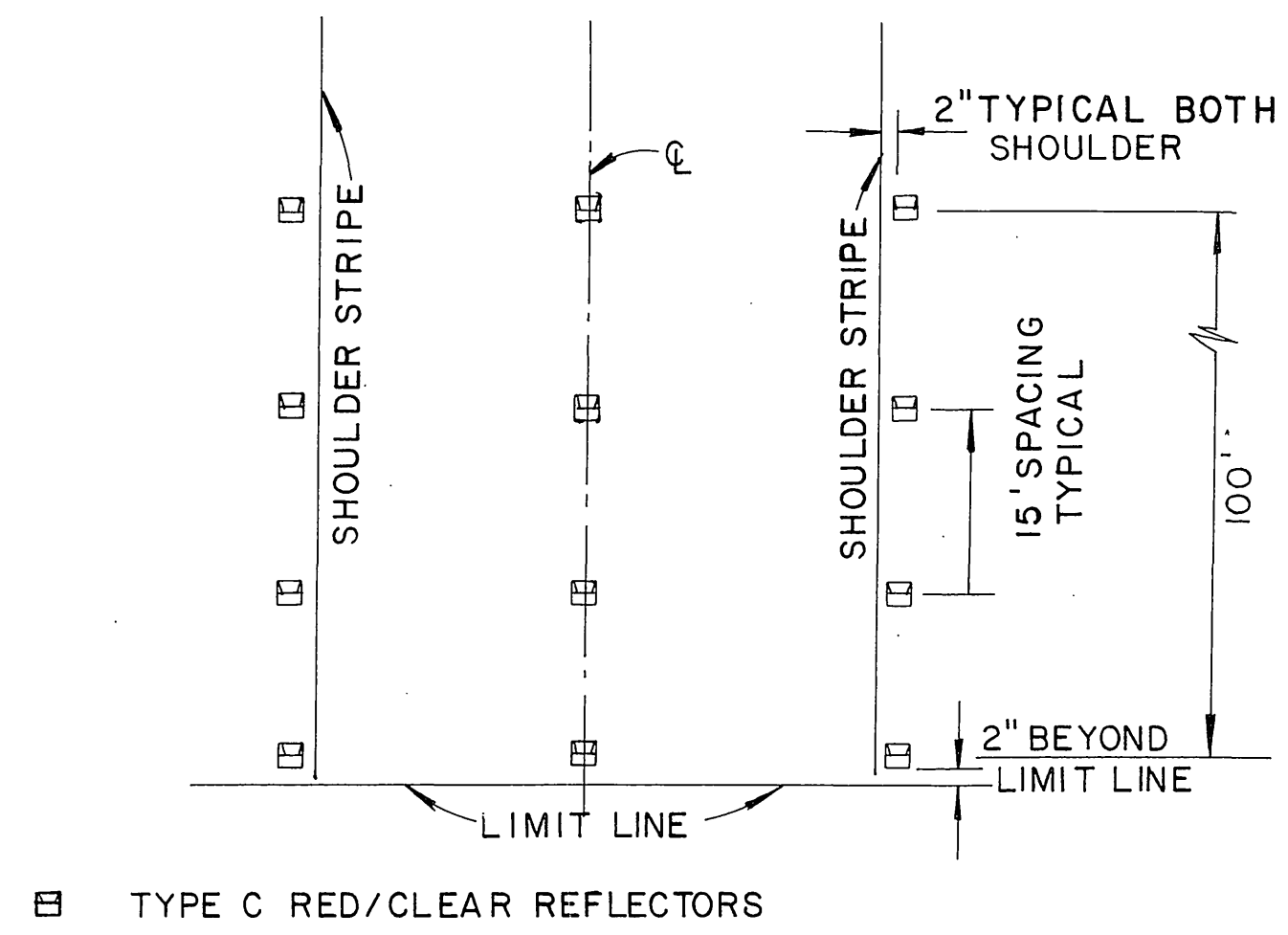
REVISOR  
DATE

DIST	COUNTY	ROUTE	POST MILES TOTAL PROJECT	SHEET NO.	TOTAL SHEETS
8	RIV	215	349/R383		

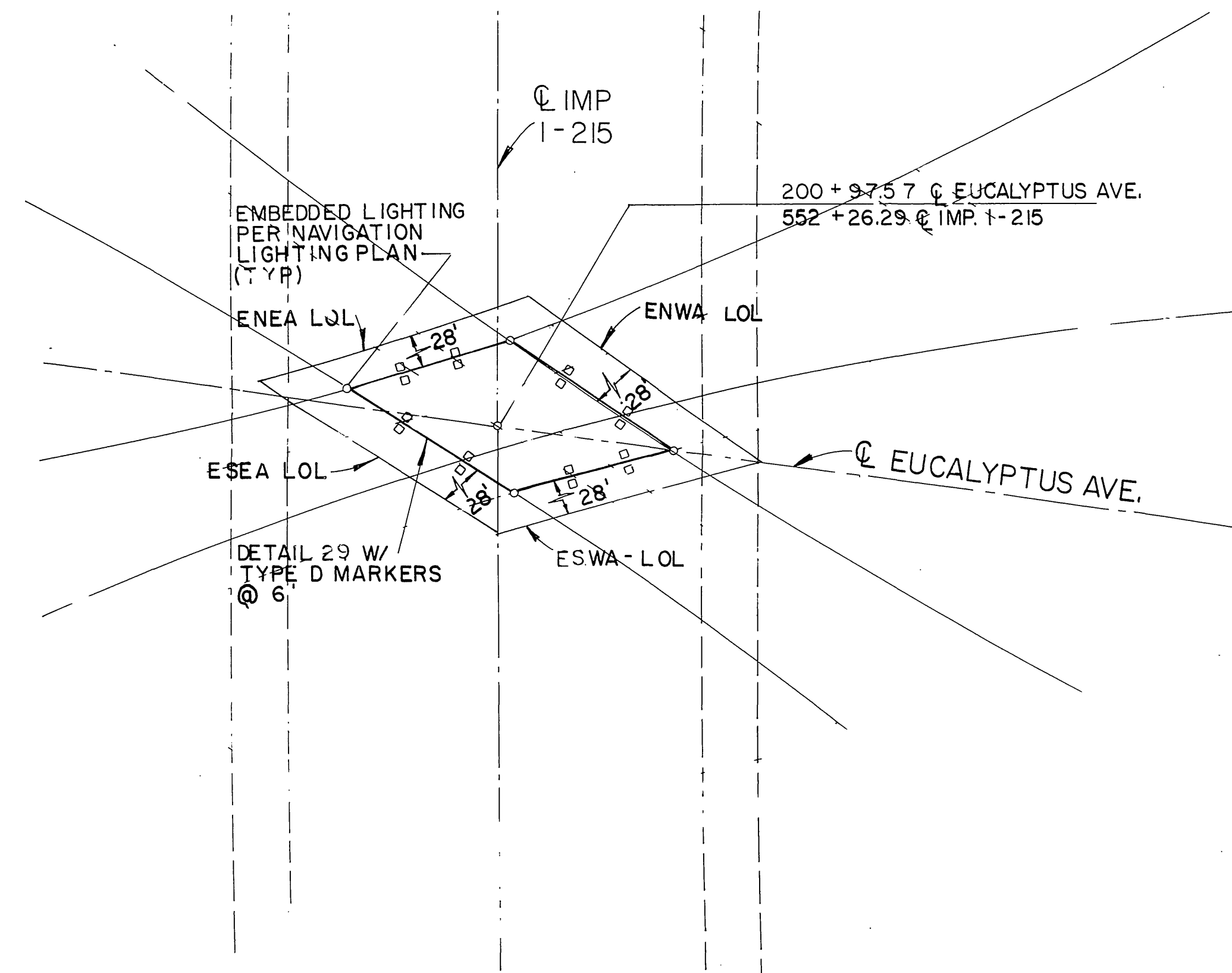
REGISTERED CIVIL ENGINEER

PLANS APPROVAL DATE

**Groiner, Inc.**  
1221 EAST DYER ROAD, Suite 100  
SANTA ANA, CALIFORNIA 92705-5605



**EXIT REFLECTOR DETAIL**  
NO SCALE



**ISLAND STRIPING DETAIL**  
NO SCALE

DATE	REVISOR	DATE	REVISOR

CALCULATED/DESIGNED BY  
CHECKED BY

PROJECT ENGINEER

STATE OF CALIFORNIA - DEPARTMENT OF TRANSPORTATION  
**Caltrans**

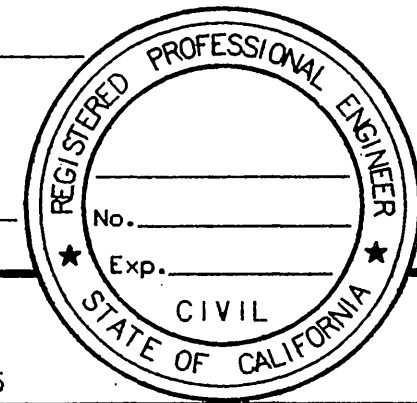
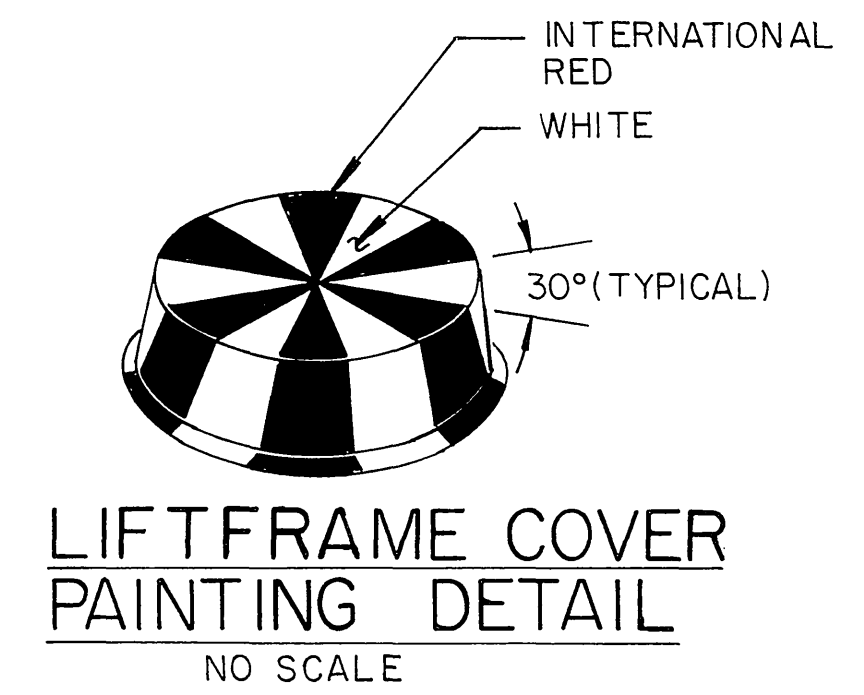
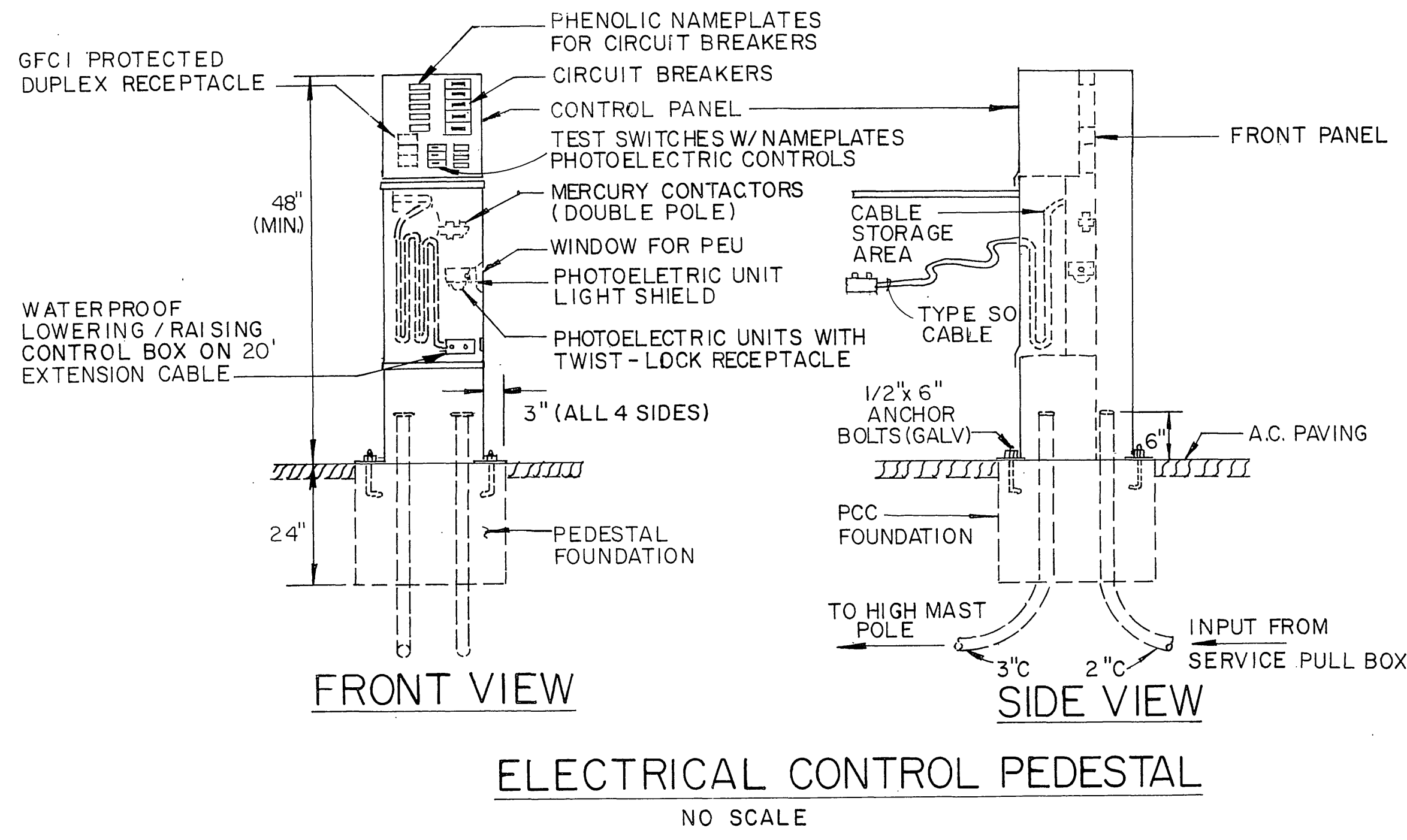
PAVEMENT DELINEATION DETAILS

DIST	COUNTY	ROUTE	POST MILES TOTAL PROJECT	SHEET NO.	TOTAL SHEETS
8	RIV	215	342/R393		

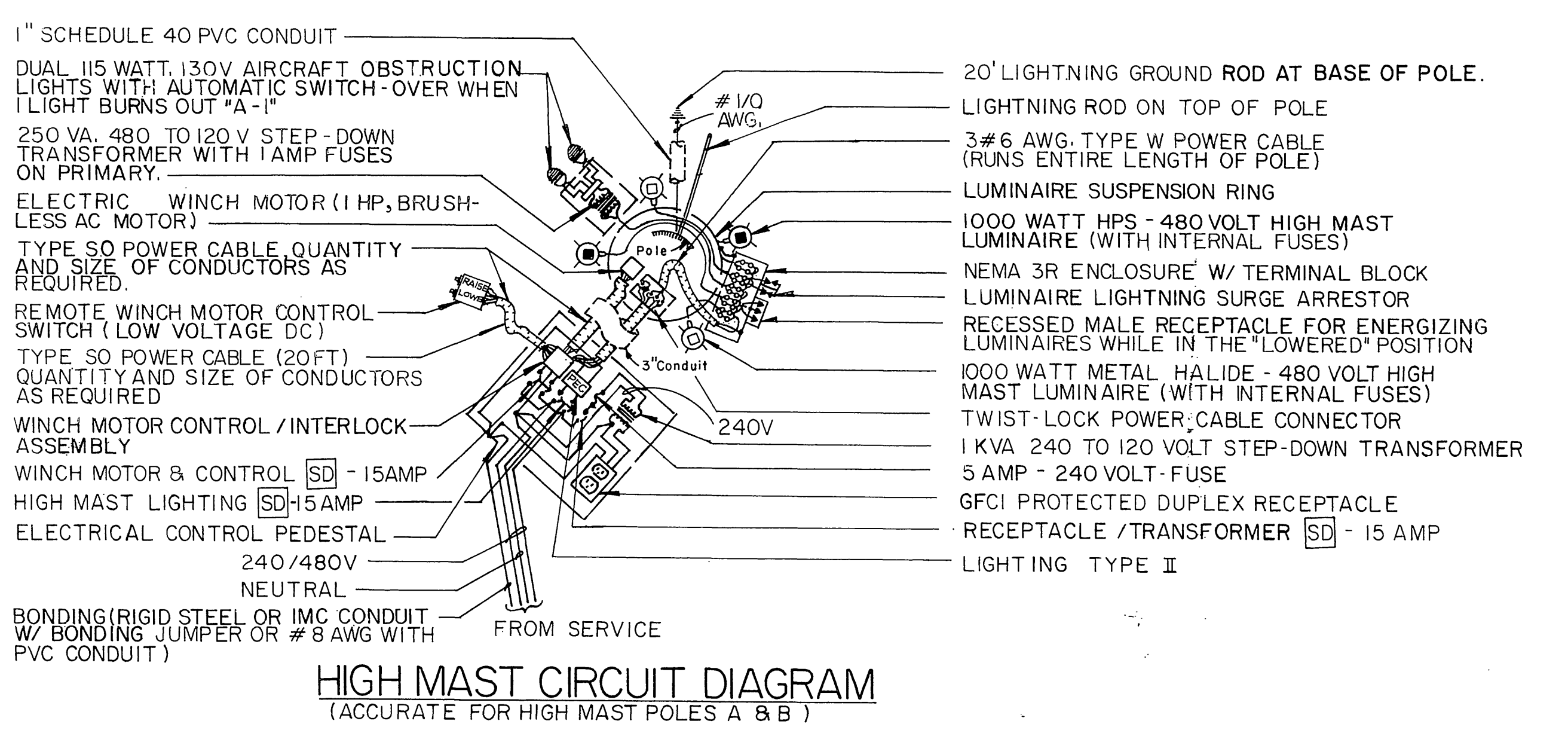
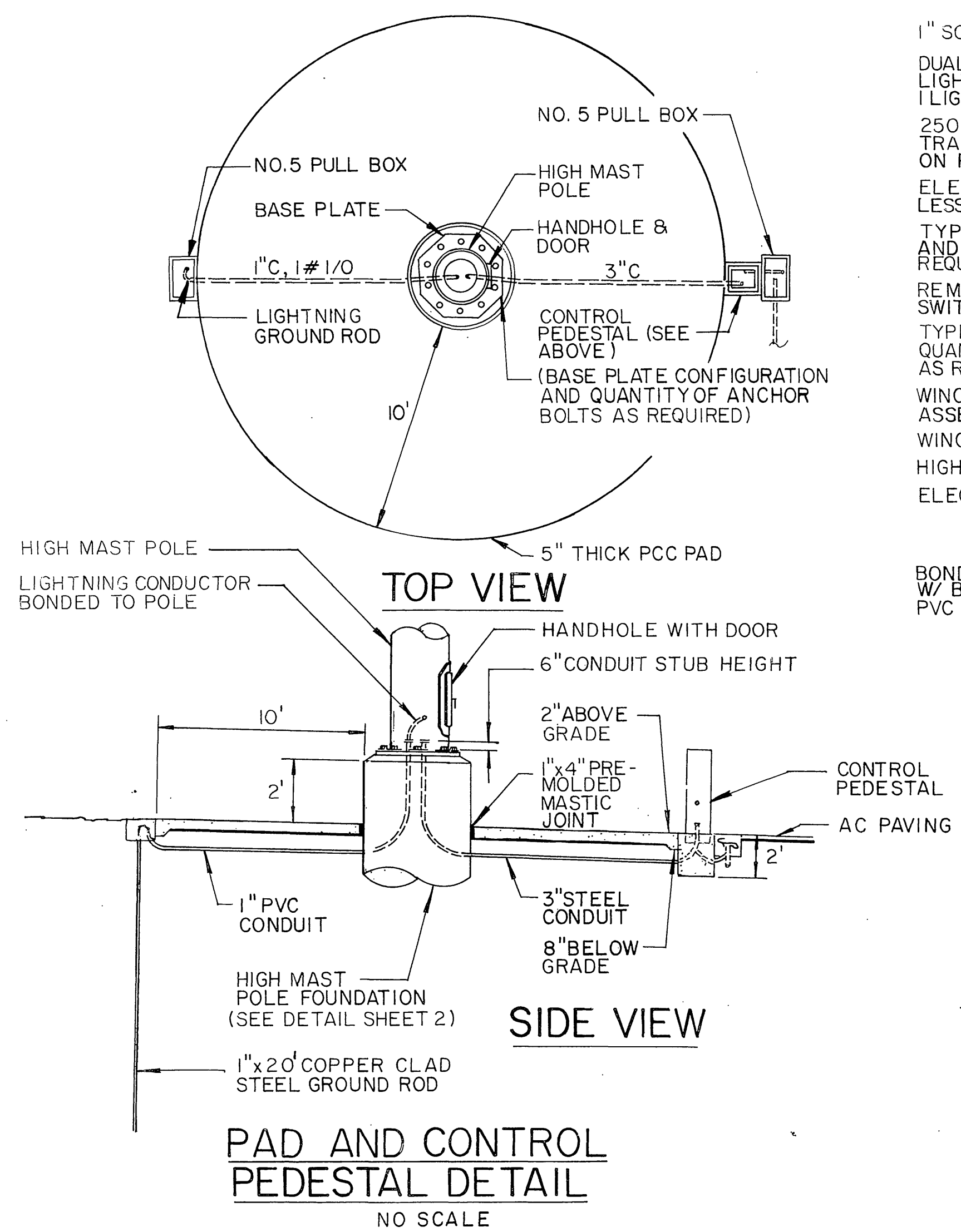
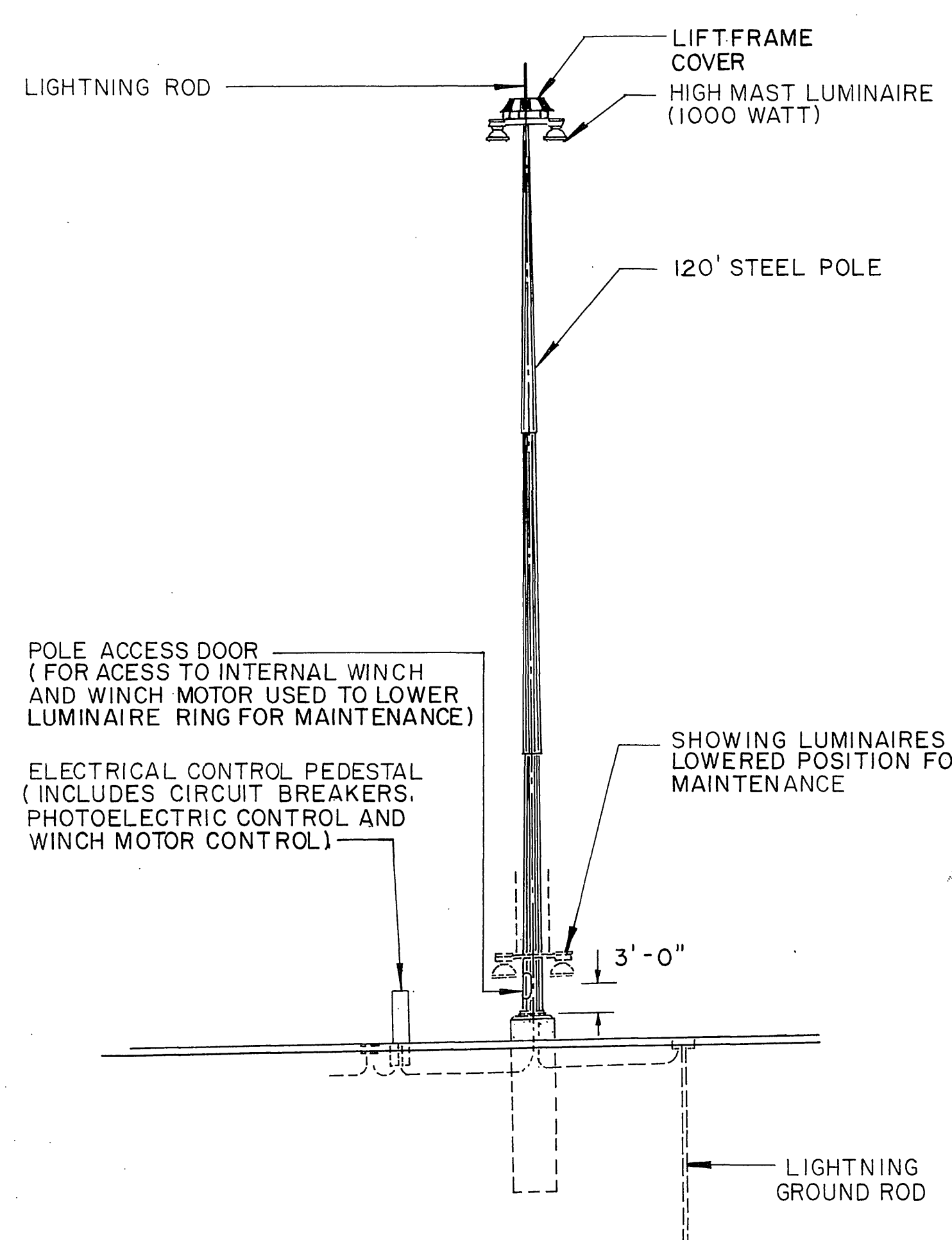
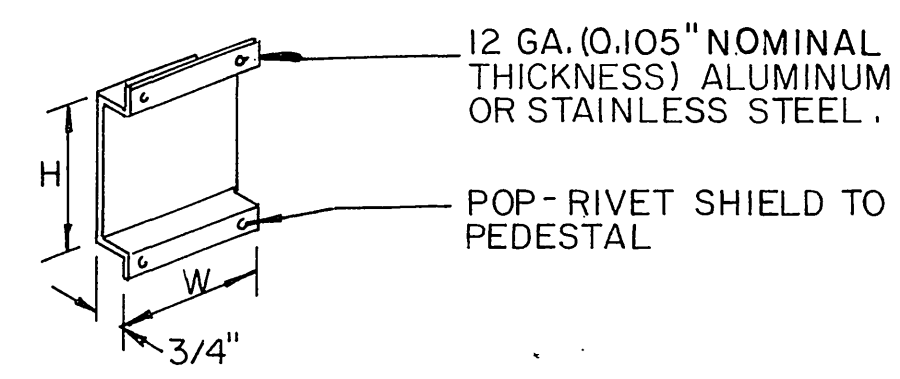
REGISTERED CIVIL ENGINEER

PLANS APPROVAL DATE

**Greiner, Inc.**  
1221 EAST DYER ROAD, Suite 100  
SANTA ANA, CALIFORNIA 92705-5605

NOTE: DIMENSIONS H & W SHALL BE AS REQUIRED FOR SHIELD TO COVER WINDOW FOR PHOTOELECTRIC UNIT BY 1" IN ALL DIRECTIONS.



ENGRAVED PHENOLIC NAMEPLATE TABLE		
LOCATION	EQUIPMENT TO BE NAMEPLATED	NAMEPLATE
ELECTRICAL CONTROL PEDESTAL	WINCH MOTOR AND CONTROL CIRCUIT BREAKER	WINCH MOTOR & CONTROL 480 V.
	HIGH MAST LIGHTING CIRCUIT BREAKER	HIGH MAST LIGHTING 480 VOLTS
	GROUND FAULT PROTECTED DUPLEX RECEPTACLE & 240 / 120 V Xfmr	GFCI RECP W/ XFMR 240 VOLTS
	HIGH MAST LIGHTING PHOTOELECTRIC CONTROL TEST SWITCH.	AUTOMATIC TEST HIGH MAST LTG PEC

- PHENOLIC NAMEPLATE NOTES:**
- NAMEPLATES SHALL BE ATTACHED USING STAINLESS STEEL OR ALUMINUM SCREWS, BOLTS, OR RIVETS.
  - WHEN NAMEPLATES ARE GROUPED TOGETHER, THEY SHALL BE OF THE SAME LENGTH & WIDTH.
  - NAMEPLATES SHALL BE WHITE LETTERS ON BLACK BACKGROUND.
  - THE "AUTOMATIC TEST" PORTION OF THE NAMEPLATE FOR THE PHOTOELECTRIC CONTROL TEST SWITCH SHALL CORRESPOND TO THE MOVEMENT OF THE SWITCH TOGGLE LEVER.

**HIGH MAST LIGHTING DETAILS**  
NO SCALE  
SHEET 1 OF 2

STATE OF CALIFORNIA - DEPARTMENT OF TRANSPORTATION  
**Caltrans**

PROJECT ENGINEER

REVISIONS:

DATE	REVISION BY	DATE	REVISION BY

CALCULATED/DESIGNED BY

CHECKED BY

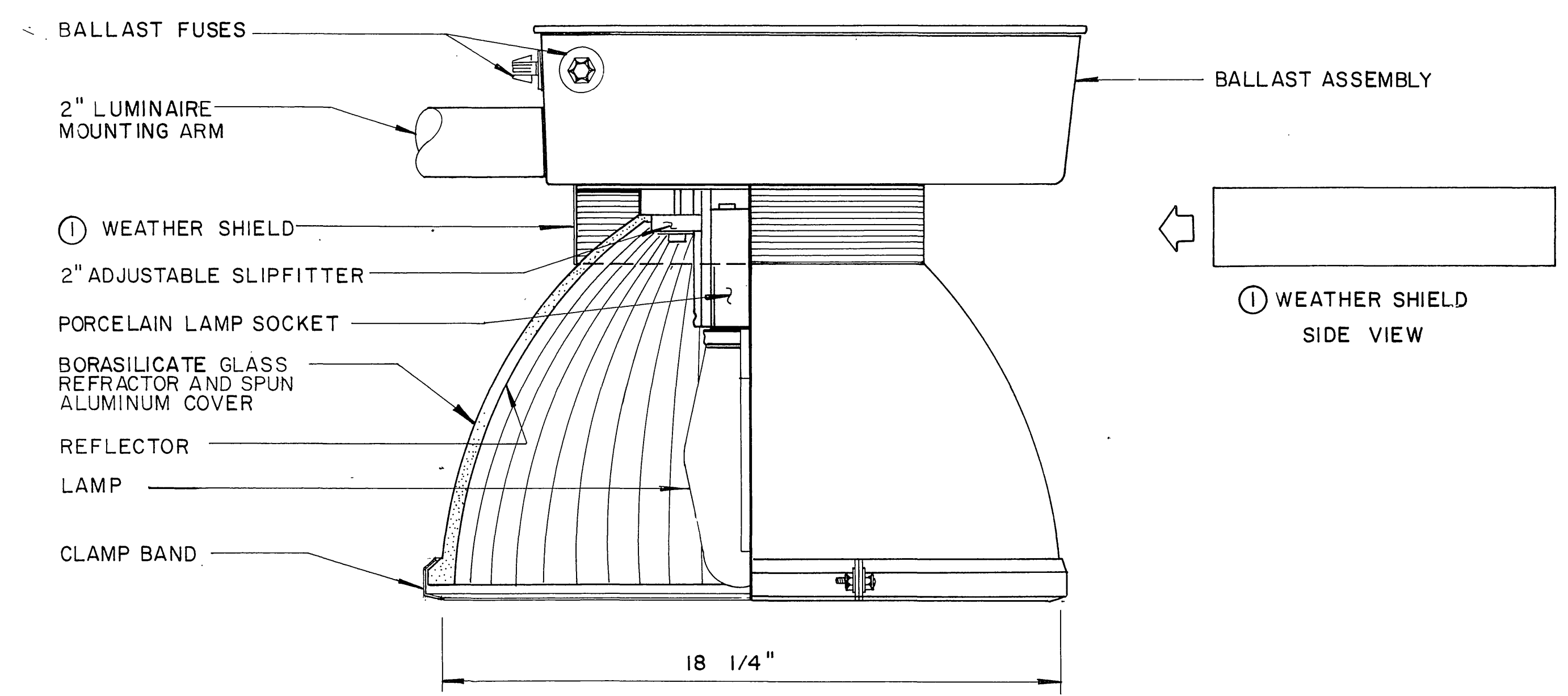


DIST	COUNTY	ROUTE	POST MILES TOTAL PROJECT	SHEET NO.	TOTAL SHEETS
8	RIV	215	347R983		

REGISTERED CIVIL ENGINEER

PLANS APPROVAL DATE

**Greiner, Inc.**  
 1221 EAST DYER ROAD, Suite 100  
 SANTA ANA, CALIFORNIA 92705-5605



**1000 WATT LUMINAIRE WITH SYMMETRICAL,  
CUT - OFF REFLECTOR**

LUMINAIRE MODIFICATION : (TO BE PERFORMED BY CONTRACTOR OR LUMINAIRE MANUFACTURER)

- ① REPLACE WEATHER SHIELD WITH NON-PERFORATED SHEET ALUMINUM SHIELD OF SIMILAR DESIGN TO THE STANDARD ONE. REMOVED SHIELDS SHALL BECOME THE PROPERTY OF THE STATE.

**HIGH MAST LIGHTING DETAILS**

NO SCALE

SHEET 2 OF 2

STATE OF CALIFORNIA - DEPARTMENT OF TRANSPORTATION  
**St Caltrans**

PROJECT ENGINEER  
 CALCULATED/DESIGNED BY  
 CHECKED BY  
 DATE  
 REVISED BY  
 DATE REVISED

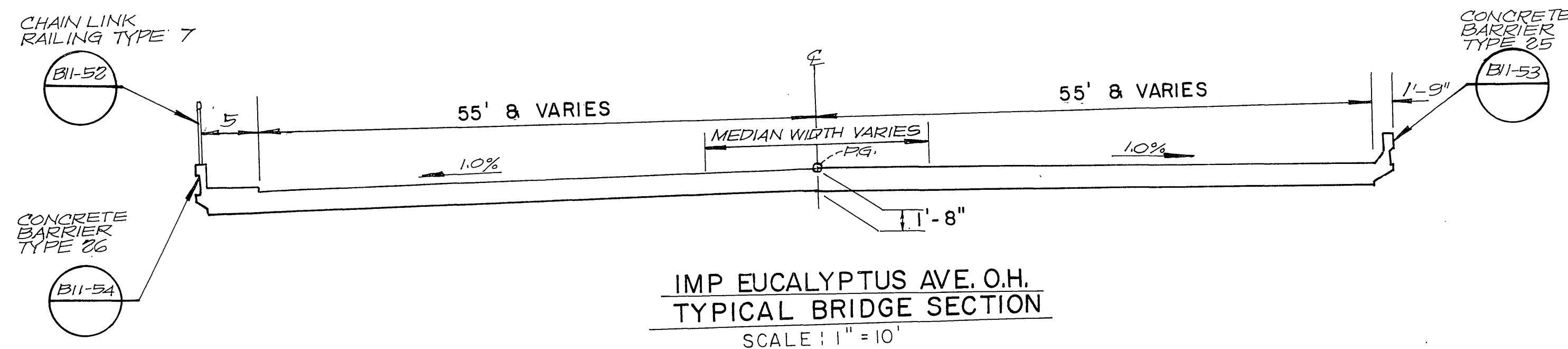
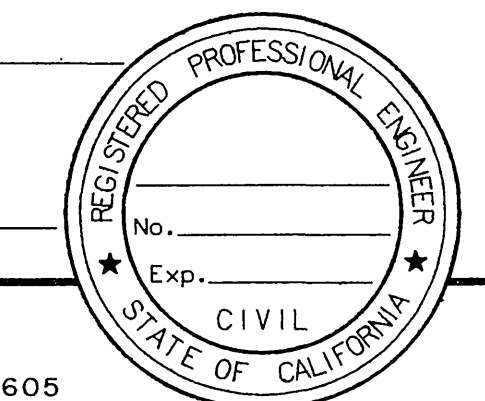


DIST	COUNTY	ROUTE	POST MILES TOTAL PROJECT	SHEET NO.	TOTAL SHEETS
8	RIV	215	342/R383		

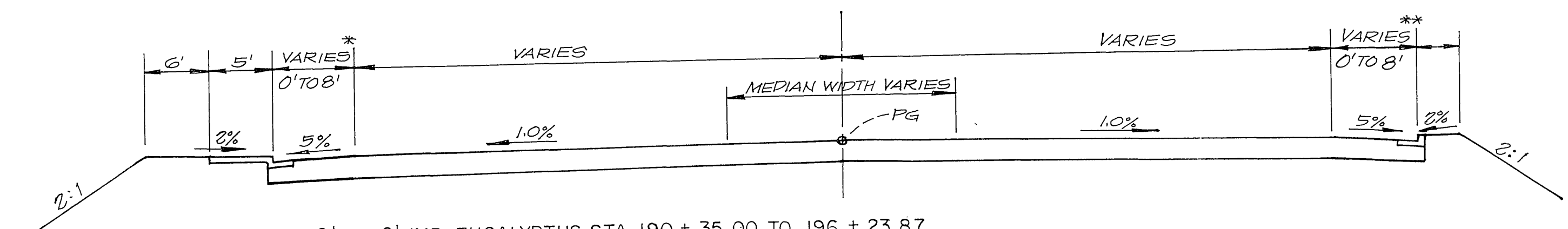
REGISTERED CIVIL ENGINEER

PLANS APPROVAL DATE

Greiner, Inc.  
1221 EAST DYER ROAD, Suite 100  
SANTA ANA, CALIFORNIA 92705-5605

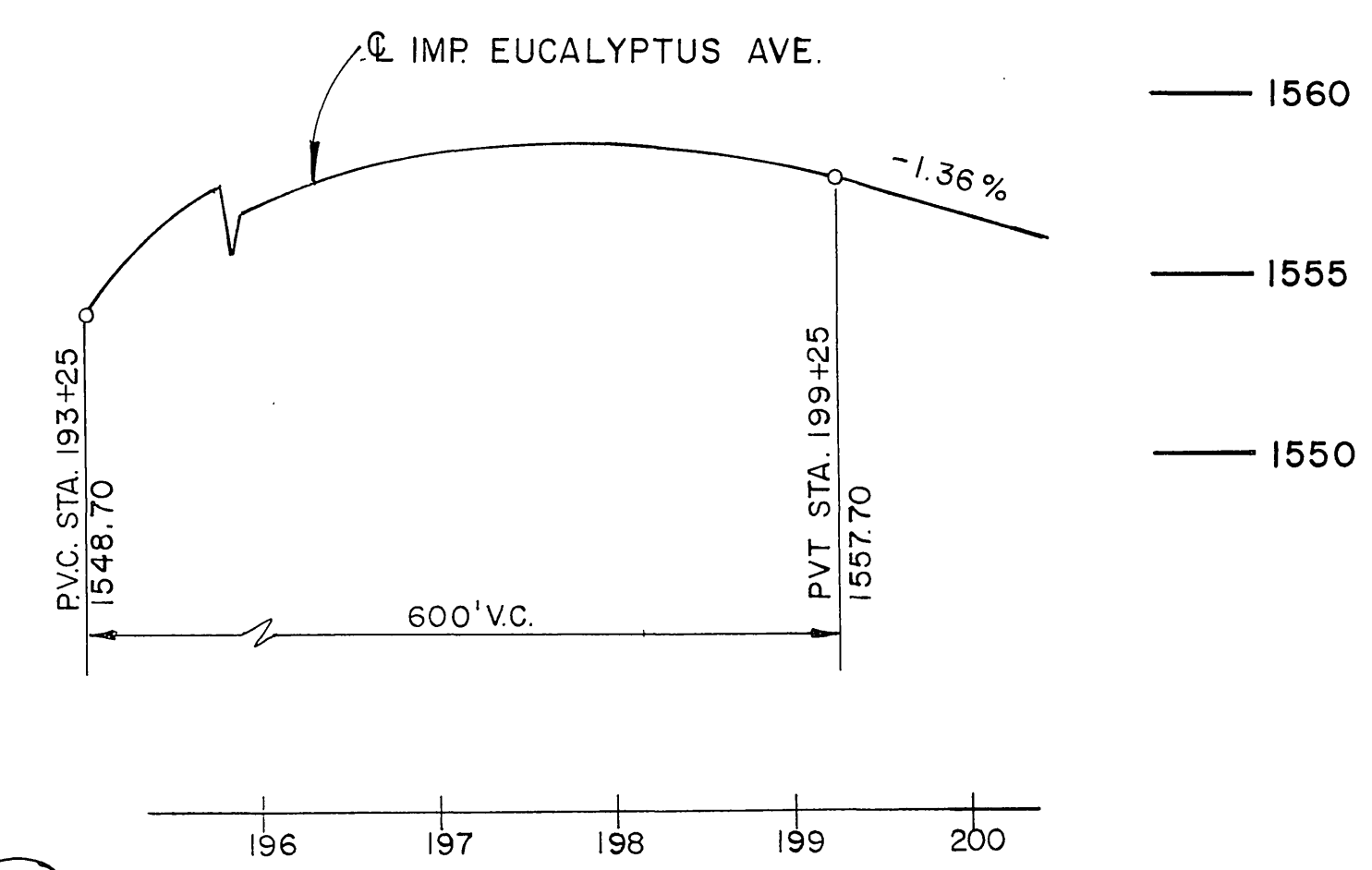


IMP EUCALYPTUS AVE. O.H.  
TYPICAL BRIDGE SECTION  
SCALE: 1" = 10'

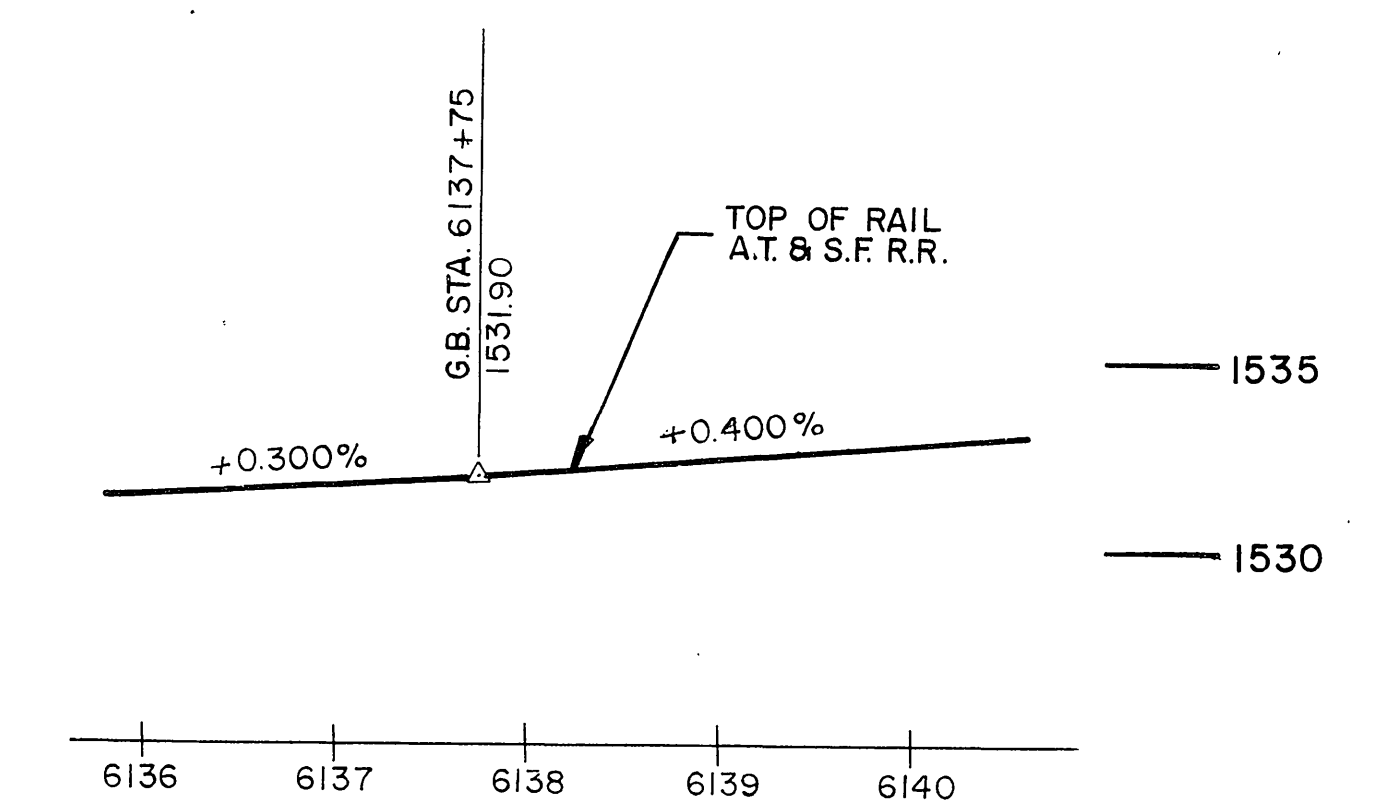


\* VAR 8' TO 0' IMP EUCALYPTUS STA 190 + 35.00 TO 196 + 23.87  
\*\* VAR 8' TO 0' IMP EUCALYPTUS STA 190 + 35.00 TO 196 + 40.72

IMP EUCALYPTUS AVE.  
BRIDGE APPROACH SECTION  
SCALE: 1" = 10'



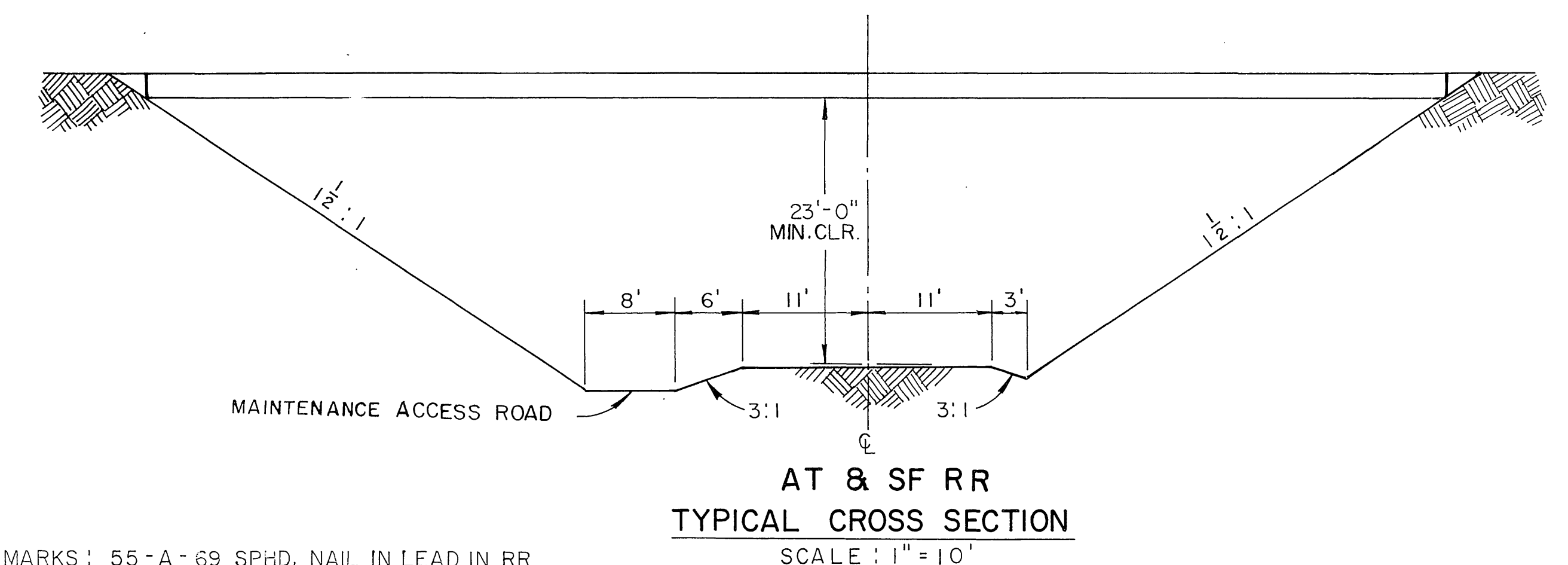
PROFILE GRADE  
SCALE: HORIZ. 1" = 100'  
VERT. 1" = 5'



PROFILE GRADE  
SCALE: HORIZ. 1" = 100'  
VERT. 1" = 5'



PLAN  
SCALE: 1" = 20'



AT & SF RR  
TYPICAL CROSS SECTION  
SCALE: 1" = 10'

BENCH MARKS: 55-A-69 SPHD. NAIL IN LEAD IN RR CULVERT HEADWALL 133' LT. Q EXIST 547 + 05, EL = 1535.35.  
56-A-69 PIN IN RIW MON 100' LT. Q EXIST. 557 + 35 EL = 1533.91  
SEA LEVEL DATUM OF 1929 AND THE FIRST ORDER RIVERSIDE COUNTY COOPERATIVE LEVELING OF 1970.

BRIDGE SITE DATA  
EUCALYPTUS AVE OVERHEAD  
08203-227501  
SCALE AS SHOWN

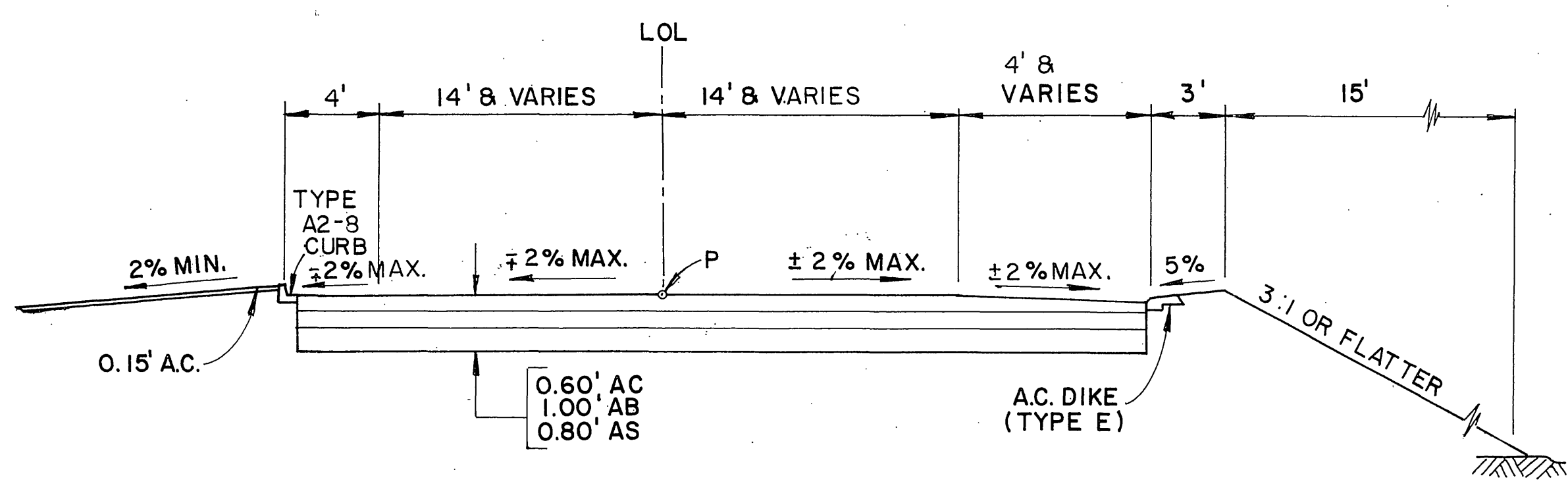
STATE OF CALIFORNIA - DEPARTMENT OF TRANSPORTATION  
PROJECT ENGINEER  
CALCULATED/DESIGNED BY  
CHECKED BY  
DATE REVISIED BY  
DATE REVISIED BY

DIST	COUNTY	ROUTE	POST MILES TOTAL PROJECT	SHEET NO.	TOTAL SHEETS
8	RIV	215	342/R382		

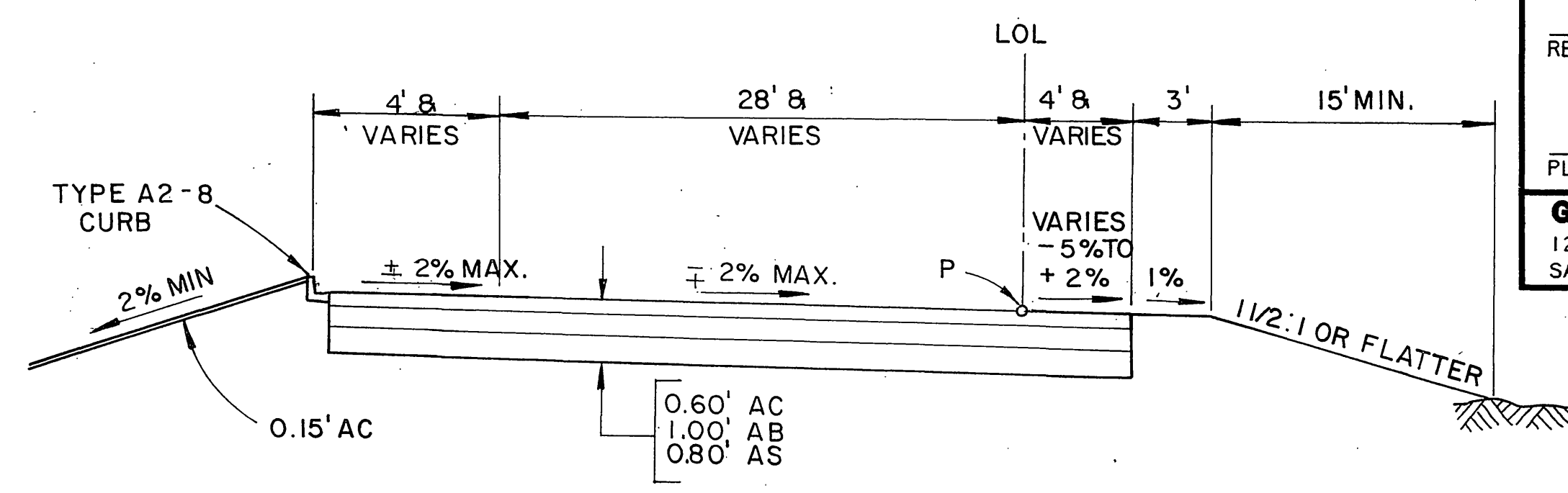
REGISTERED CIVIL ENGINEER

PLANS APPROVAL DATE

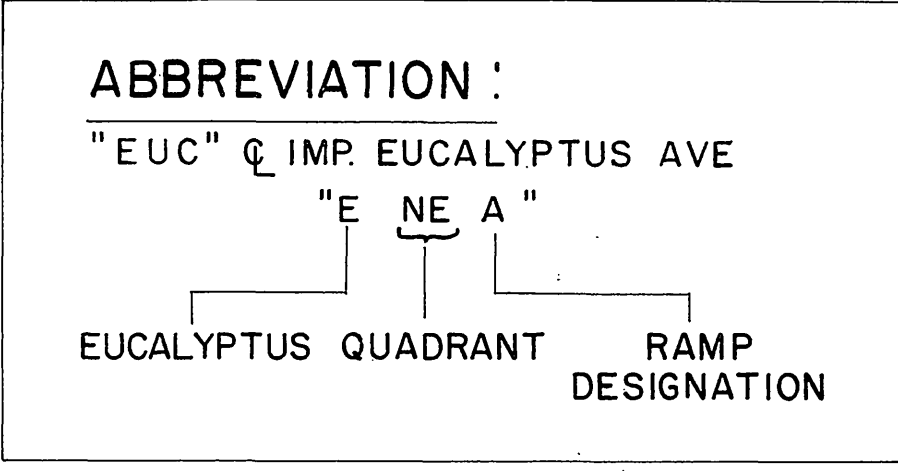
**Greiner, Inc.**  
1221 EAST DYER ROAD, Suite 100  
SANTA ANA, CALIFORNIA 92705-5605



**RAMP ESEB**  
STA 549 + 66.06 TO STA 551 + 71.97



**RAMP S**  
ENWA STA 553 + 32.36 TO STA 554 + 73.24  
ESWA STA 550 + 41.79 TO STA 551 + 46.92  
ENEB STA 551 + 75.36 TO STA 554 + 52.97

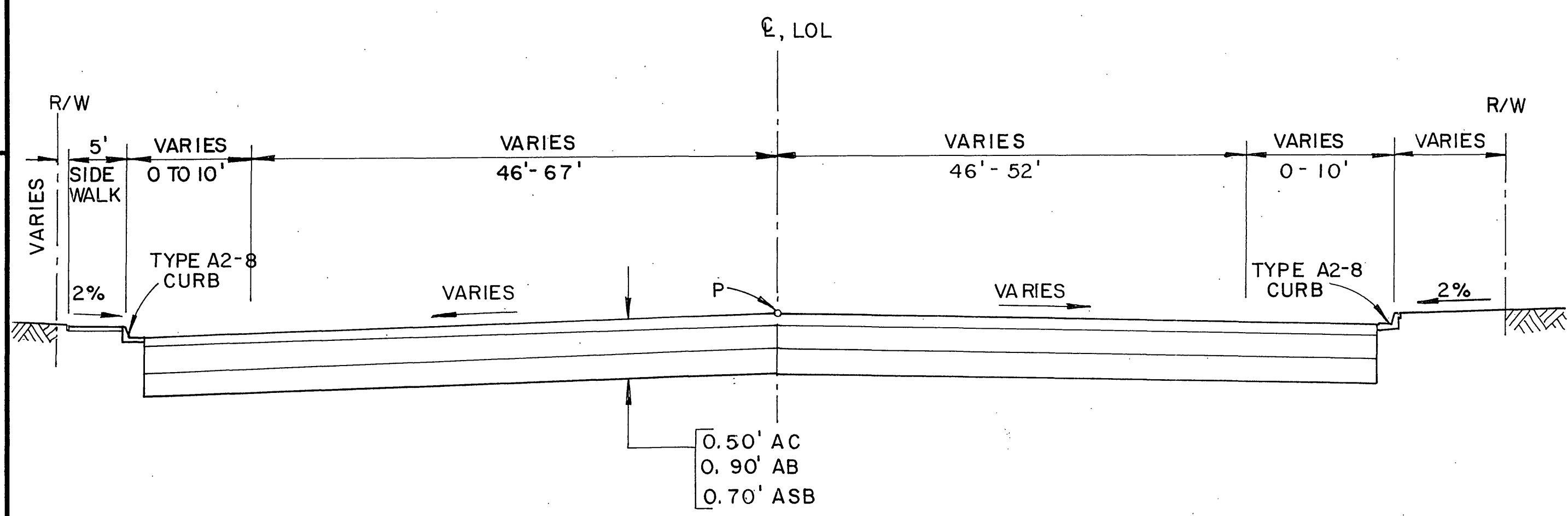


DATE REVISED BY DATE REVISED

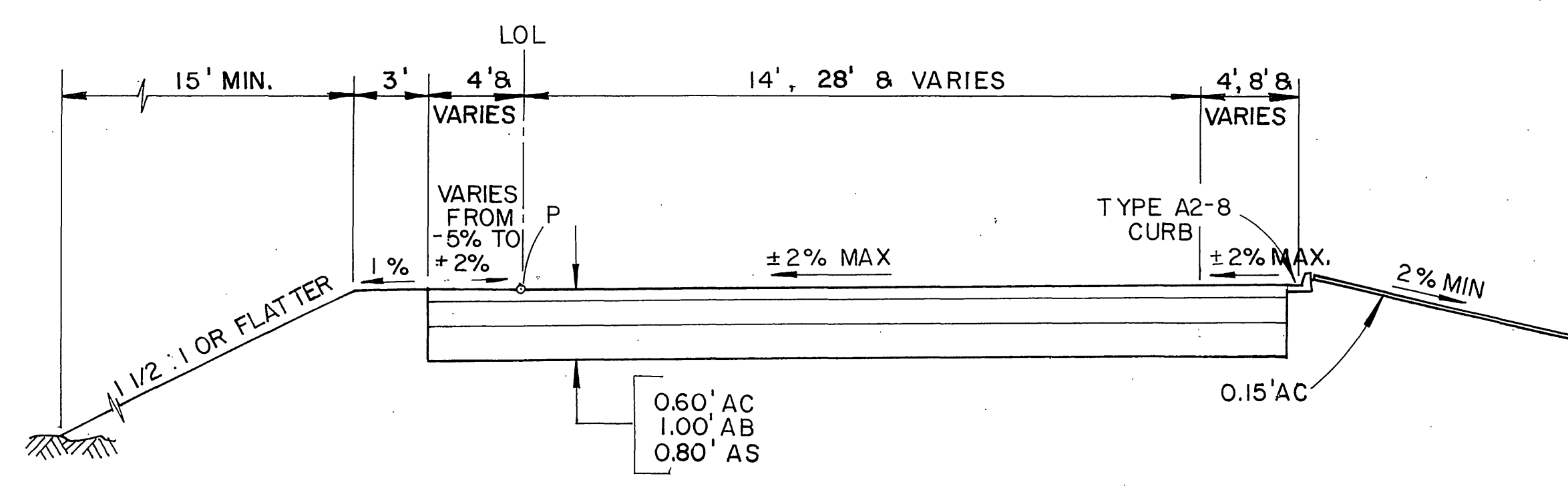
CALCULATED/DESIGNED BY CHECKED BY

PROJECT ENGINEER

STATE OF CALIFORNIA - DEPARTMENT OF TRANSPORTATION  
**Caltrans**

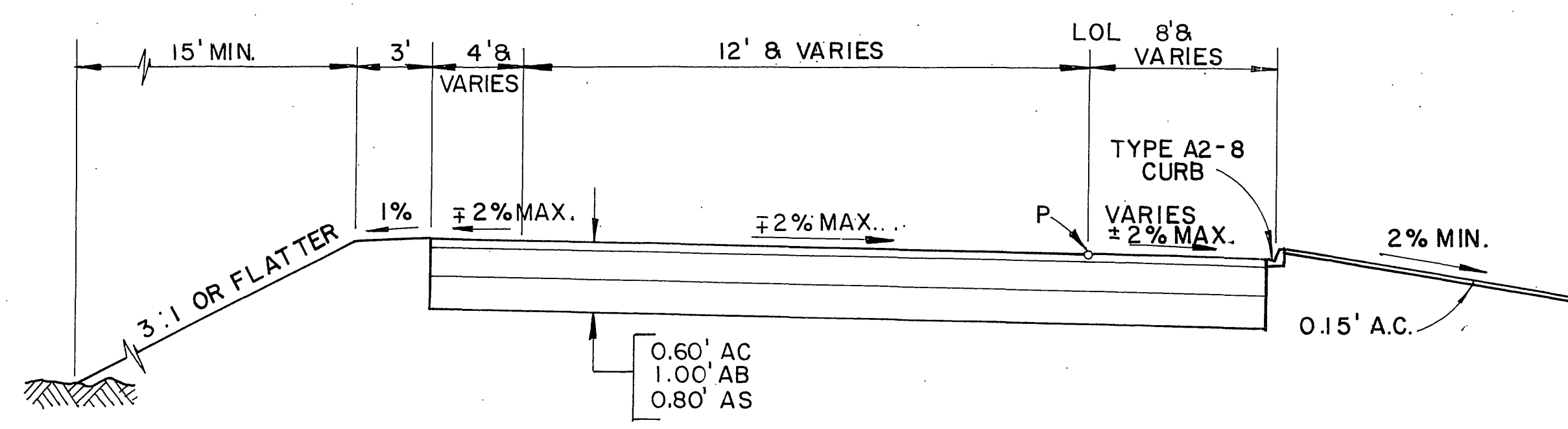


**EUCALYPTUS AVE.**  
STA 187 + 50.00 TO STA 208 + 81.15

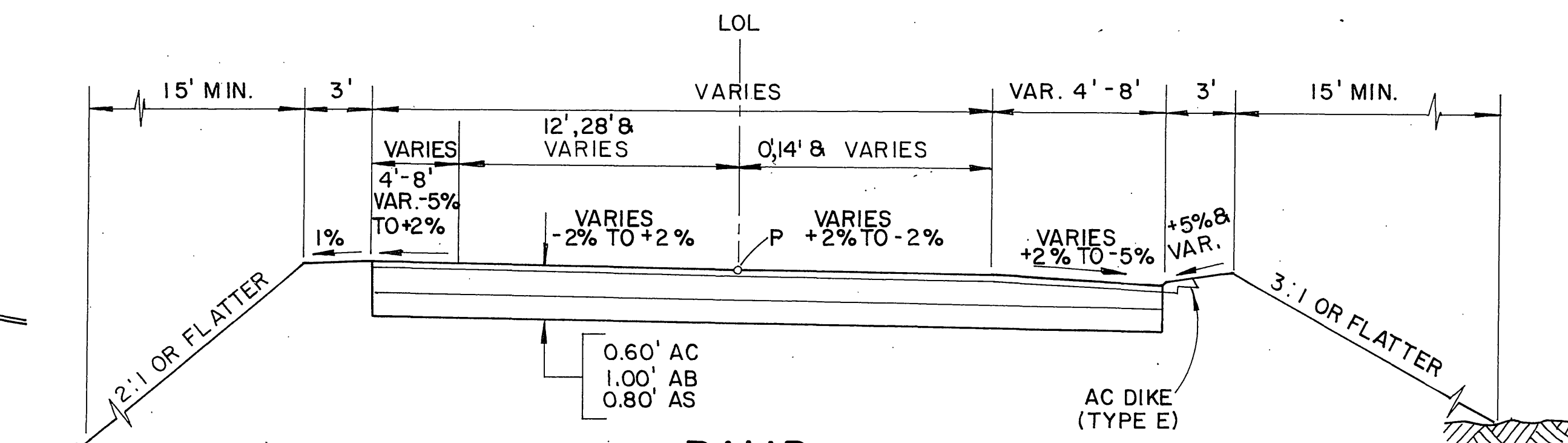


**RAMP S**  
ESWB STA 550 + 52.11 TO STA 551 + 64.16  
ENEA STA 552 + 31.57 TO STA 554 + 63.36  
ESE A STA 549 + 55.16 TO STA 551 + 54.77

- NOTES:**
- DIMENSIONS OF THE STRUCTURAL SECTIONS ARE SUBJECT TO TOLERANCES SPECIFIED IN THE STD. SPECIFICATIONS.
  - SUPERELEVATION AS SHOWN OR AS DIRECTED BY THE ENGINEER.



**RAMP ENWB**  
STA 553 + 34.57 TO STA 554 + 73.24



**RAMP S**  
ENWA 554 + 73.24 TO 557 + 50.00  
ENEA 554 + 63.36 TO 557 + 50.00  
ESE A 543 + 00.00 TO 549 + 55.16  
ESWA 543 + 00.00 TO 550 + 41.79

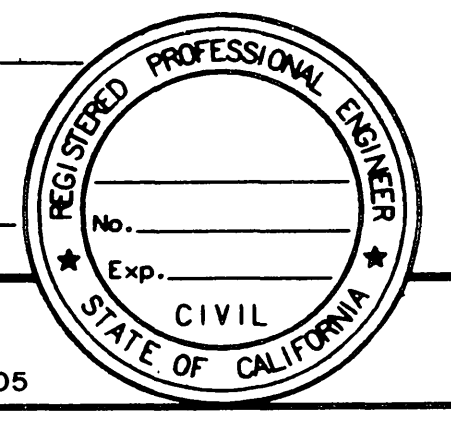
**PROGRESS PRINT**

TYPICAL CROSS SECTIONS  
NO SCALE

RECEIVED

DIST	COUNTY	ROUTE	POST MILES TOTAL PROJECT	SHEET NO.	TOTAL SHEETS
8	RIV	215	342/R383		

REGISTERED CIVIL ENGINEER  
 PLANS APPROVAL DATE  
 Greiner, Inc.  
 1221 EAST DYER ROAD, Suite 100  
 SANTA ANA, CALIFORNIA 92705-5605



BEGIN N.W. RAMP B  
 "ENWB" 556 + 60.43 =  
 "ENWA" 556 + 60.43, 28' RT  
 "ENWA" 556 + 60.43 BC =  
 "ENWB" 556 + 60.43, 14' LT.

"ENWB" 553 + 73.40 EC.  
 ENWB 553 + RAMP DETAIL  
 "ENWA" 554 + 83.03 37' LT  
 "ENWA" LOL  
 "ENWA" 556 + 05.24 EC.

"ENWA" 553 + 25  
 RAMP DETAIL  
 "ENWA" 552 + 91.88 P.C.C.  
 "EUC" 200 + 93.57, 60' LT. =  
 "ENEA" 552 + 27.50, 37' RT.

"EUC" 197 + 77.65, 60' LT. =  
 "ENWB" 553 + 34.57, 13' RT.  
 "EUC" 196 + 23.87  
 43.05' LT  
 "EUC" 197 + 14.68,  
 34.68' LT.  
 "ENWB" 552 + 71.29 BC  
 "EUC" 198 + 00.00, 6' LT.  
 "ENEB" 549 + 38.59

"EUC" 199 + 13.92, 60' RT. =  
 "ESWA" 551 + 64.88, 37' LT.  
 "EUC" 200 + 97.57, 63' RT. =  
 "ESEA" 551 + 80.06, 34' RT.  
 "ESEA" 551 + 57.28 P.C.C.  
 MBGR  
 "EUC" 200 + 00.00 =  
 "EUC" 203 + 02.88, 60' RT. =  
 "ESEB" 551 + 71.87,  
 21.54' LT.

"EUC" 201 + 25.73, 6' RT. =  
 "ESWA" 553 + 71.83 EC.  
 "ENEB" 551 + 80  
 RAMP DETAIL LT. & RT.  
 "ENEB" LOL  
 "ENEA" 556 + 07.93 EC  
 BEGIN N.E. RAMP B  
 "ENEB" 554 + 52.97, 34.17' LT. =  
 "ENEA" 554 + 63.36, 34' LT.

SCALE: 1" = 50'

CURVE DATA				
NO.	R	Δ	L	T
1	150.00'	79°56'13"	209.27'	125.72'
2	340.00'	57°50'17"	343.22'	187.84'
3	255.00'	98°54'05"	440.17'	298.05'
4	63.00'	75°52'19"	83.43'	49.11'
5	62.00'	94°22'06"	102.12'	66.92'
6	370.00'	48°31'28"	313.36'	166.77'
7	285.00'	120°38'31"	600.10'	51.90'
8	178.00'	56°17'58"	174.90'	95.24'
9	510.00'	41°11'04"	366.59'	191.62'
10	550.00'	34°49'05"	334.23'	172.45'
11	5000.00'	7°27'06"	650'28"	32.560'
12	5000.00'	7°18'07"	637.22'	31.904'
13	6000.00'	9°56'57"	1041.87'	522.25'
14	1910.00'	24°20'19"	811.35'	411.89'
15	10000.00'	3°03'58"	535.16'	267.63'
16	5000.00'	2°50'30"	247.98'	124.02'
17	4976.00'	2°24'28"	209.12'	104.57'
18	3000.00'	4°54'36"	257.09'	128.62'

NO.	R	Δ	L	T
1	150.00'	79°56'13"	209.27'	125.72'
2	340.00'	57°50'17"	343.22'	187.84'
3	255.00'	98°54'05"	440.17'	298.05'
4	63.00'	75°52'19"	83.43'	49.11'
5	62.00'	94°22'06"	102.12'	66.92'
6	370.00'	48°31'28"	313.36'	166.77'
7	285.00'	120°38'31"	600.10'	51.90'
8	178.00'	56°17'58"	174.90'	95.24'
9	510.00'	41°11'04"	366.59'	191.62'
10	550.00'	34°49'05"	334.23'	172.45'
11	5000.00'	7°27'06"	650'28"	32.560'
12	5000.00'	7°18'07"	637.22'	31.904'
13	6000.00'	9°56'57"	1041.87'	522.25'
14	1910.00'	24°20'19"	811.35'	411.89'
15	10000.00'	3°03'58"	535.16'	267.63'
16	5000.00'	2°50'30"	247.98'	124.02'
17	4976.00'	2°24'28"	209.12'	104.57'
18	3000.00'	4°54'36"	257.09'	128.62'

PROGRESS PRINT  
 LAYOUT  
 JUN 07 1989

CU EA DEPT. OF PUBLIC WORKS R-3246

INDEXED 6-21-06 LHM JUN 02 2006

TEMP GRADING EASEMENT

6138 + 11.40 ATSF RR =  
 "EUC" 196 + 85.43  
 MBGR W/ FLAIR (TYPE 1)  
 "EUC" 197 + 58.00, 22' LT. =  
 "ESEA" 555 + 23.87 EC.  
 "EUC" 197 + 50.77, 48.36' RT. =  
 "ESWB" 552 + 24.21 EC  
 "EUC" 198 + 69.25, 6' LT.  
 "EUC" 198 + 07.84 B.C.  
 "EUC" 198 + 24.59, 63' RT.  
 "ESWB" 551 + 40.78 P.C.C.  
 "ESWA" 550 + 41.79, 34' LT. =  
 "ESWB" 550 + 52.11, 22' RT.

"ESWB" 549 + 31.67 BC.  
 "ESWA" 549 + 31.67 BC.  
 6132 + 44.74 E.C.  
 "ESWA" 547 + 26.59 EC.  
 "ESWA" 544 + 78.61 BC  
 "EUC" 199 + 13.92, 60' RT. =  
 "ESWA" 551 + 64.88, 37' LT.  
 "EUC" 200 + 97.57, 63' RT. =  
 "ESEA" 551 + 80.06, 34' RT.  
 "ESEA" 551 + 57.28 P.C.C.  
 MBGR  
 "EUC" 200 + 00.00 =  
 "EUC" 203 + 02.88, 60' RT. =  
 "ESEB" 551 + 71.87,  
 21.54' LT.

"EUC" 201 + 25.73, 6' RT. =  
 "ESWA" 553 + 71.83 EC.  
 "ENEB" 551 + 80  
 RAMP DETAIL LT. & RT.  
 "ENEB" LOL  
 "ENEA" 556 + 07.93 EC  
 BEGIN N.E. RAMP B  
 "ENEB" 554 + 52.97, 34.17' LT. =  
 "ENEA" 554 + 63.36, 34' LT.

"EUC" 202 + 45.00, 22' RT. =  
 "ENWA" 549 + 57.65 B.C.  
 "EUC" 204 + 19.84, 32.92' RT. =  
 "ESEB" 552 + 84.98 E.C.  
 TEMP. GRADING EASEMENT

"EUC" 203 + 54.45, 58.79' LT. =  
 "ENEB" 551 + 75.34, 38.38' LT.  
 "EUC" 204 + 59.10, 64.86' LT.  
 "ENEB" 550 + 85.92 BC  
 TEMP. GRADING EASEMENT

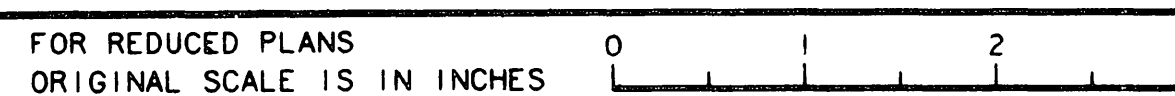
"EUC" 197 + 77.65, 60' LT. =  
 "ENWB" 553 + 34.57, 13' RT.  
 "EUC" 196 + 23.87  
 43.05' LT  
 "EUC" 197 + 14.68,  
 34.68' LT.  
 "ENWB" 552 + 71.29 BC  
 "EUC" 198 + 00.00, 6' LT.  
 "ENEB" 549 + 38.59

TEMP. GRADING EASEMENT

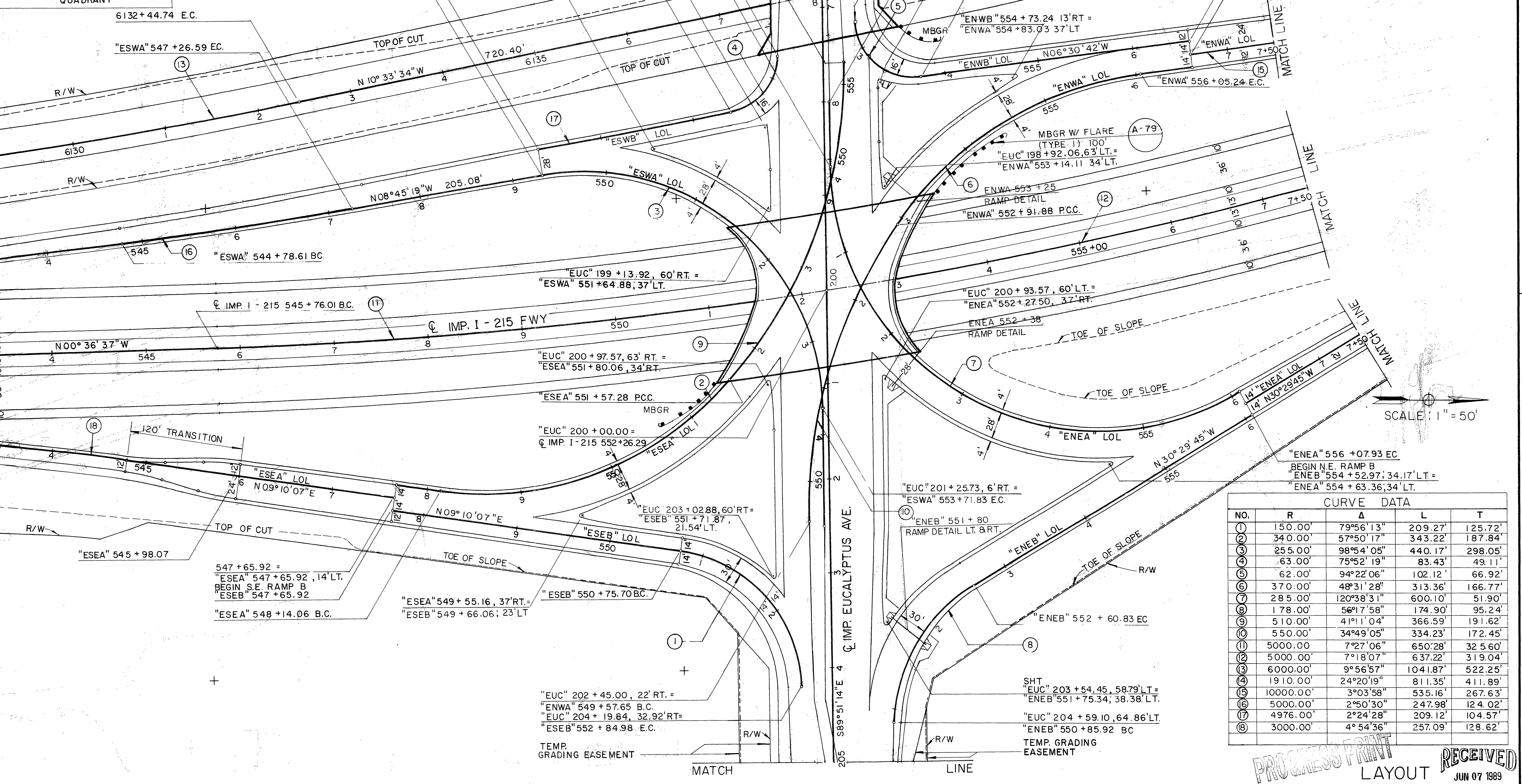
NOTE: FOR COMPLETE RIGHT-OF-WAY, AND ACCURATE ACCESS DATA, SEE RIGHT OF WAY RECORD MAPS AT DISTRICT OFFICE.

ABBREVIATIONS:  
 "EUC" Q IMP. EUCALYPTUS AVE.  
 "ENE A"  
 EUCALYPTUS RAMP DESIGNATION QUADRANT

STATE OF CALIFORNIA - DEPARTMENT OF TRANSPORTATION  
 PROJECT ENGINEER  
 DATE REVISIONS  
 REVISIONS  
 DATE REVISIONS  
 CHECKED BY  
 DESIGNED BY  
 CALCULATED BY



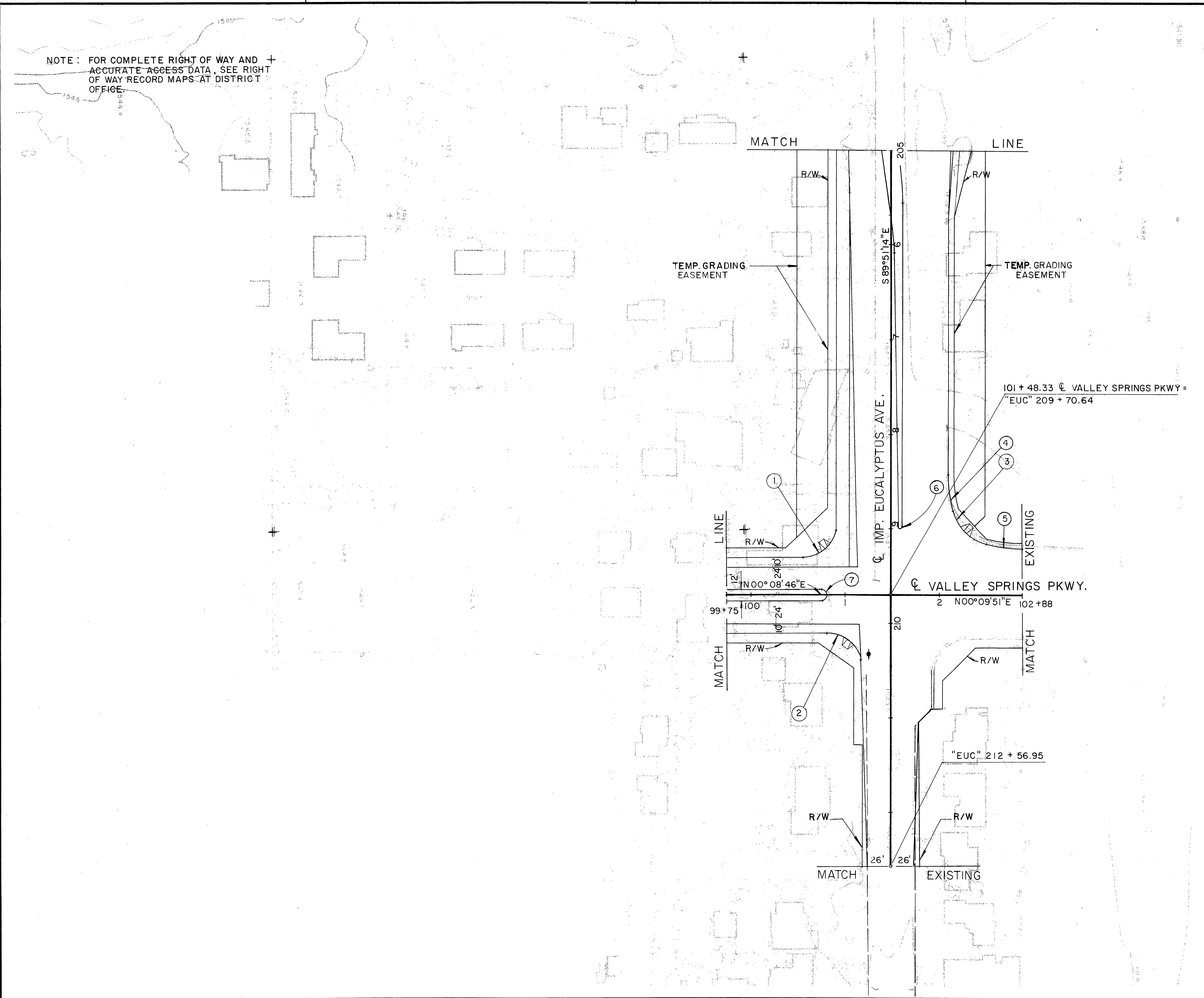
FOR REDUCED PLANS ORIGINAL SCALE IS IN INCHES



STATE OF CALIFORNIA - DEPARTMENT OF TRANSPORTATION  
**Ed Catbons**

PROJECT ENGINEER  
 CALCULATED/DESIGNED BY  
 CHECKED BY  
 DATE  
 REVISED BY  
 DATE REVISED

NOTE: FOR COMPLETE RIGHT OF WAY AND ACCURATE ACCESS DATA, SEE RIGHT OF WAY RECORD MAPS AT DISTRICT OFFICE.

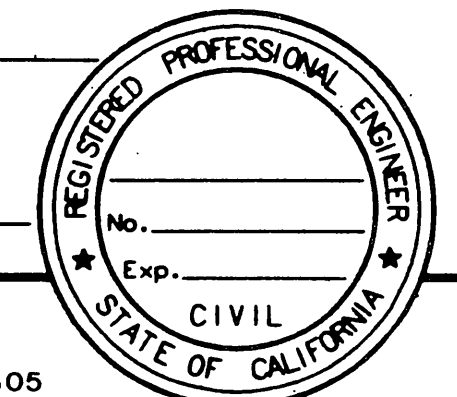


DIST	COUNTY	ROUTE	POST MILES TOTAL PROJECT	SHEET NO.	TOTAL SHEETS
8	RIV	215			

REGISTERED CIVIL ENGINEER

PLANS APPROVAL DATE

Greiner, Inc.  
 1221 EAST DYER ROAD, Suite 100  
 SANTA ANA, CALIFORNIA 92705-5605



SCALE: 1" = 50'

CURVE DATA				
NO.	R	Δ	L	T
①	3500	90°00'00"	54.98'	35.00'
②	3500	88°08'21"	53.84'	33.88'
③	5000	60°17'19"	52.61'	29.04'
④	150.00	14°50'55"	38.87'	19.55'
⑤	150.00	14°50'44"	38.87'	19.54'
⑥	2.00	180°00'04"	6.28'	0.00'
⑦	6.00	180°00'00"	18.85'	0.00'

PROGRESS PRINT

LAYOUT RECEIVED

FOR REDUCED PLANS ORIGINAL SCALE IS IN INCHES



CU EA R-3946 JUN 07 1989 DEPT. OF PUBLIC WORKS


INDEXED 6-21-06 LFK JUN 02 1989

DIST	COUNTY	ROUTE	POST MILES TOTAL PROJECT	SHEET NO.	TOTAL SHEETS
8	RIV	215	34.2 / R 38.2		

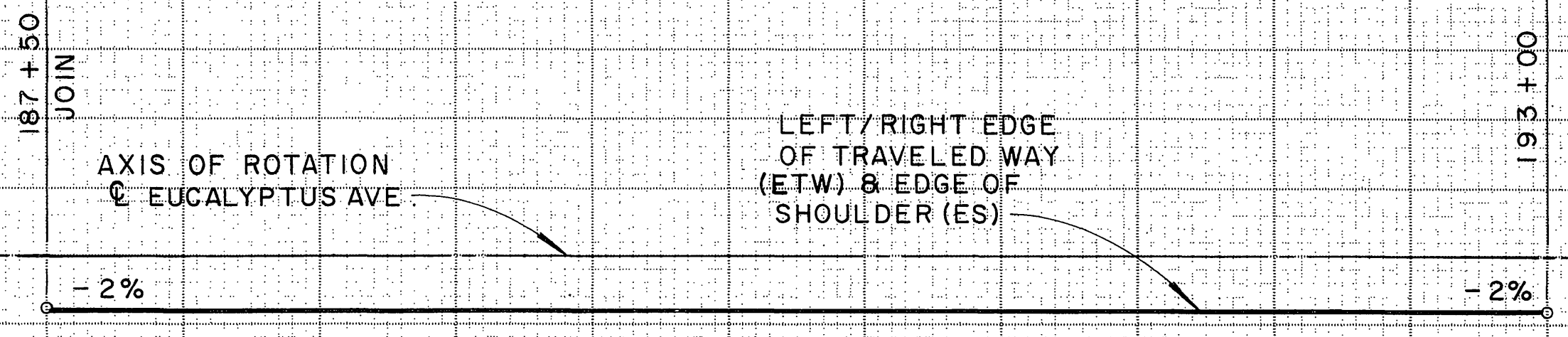
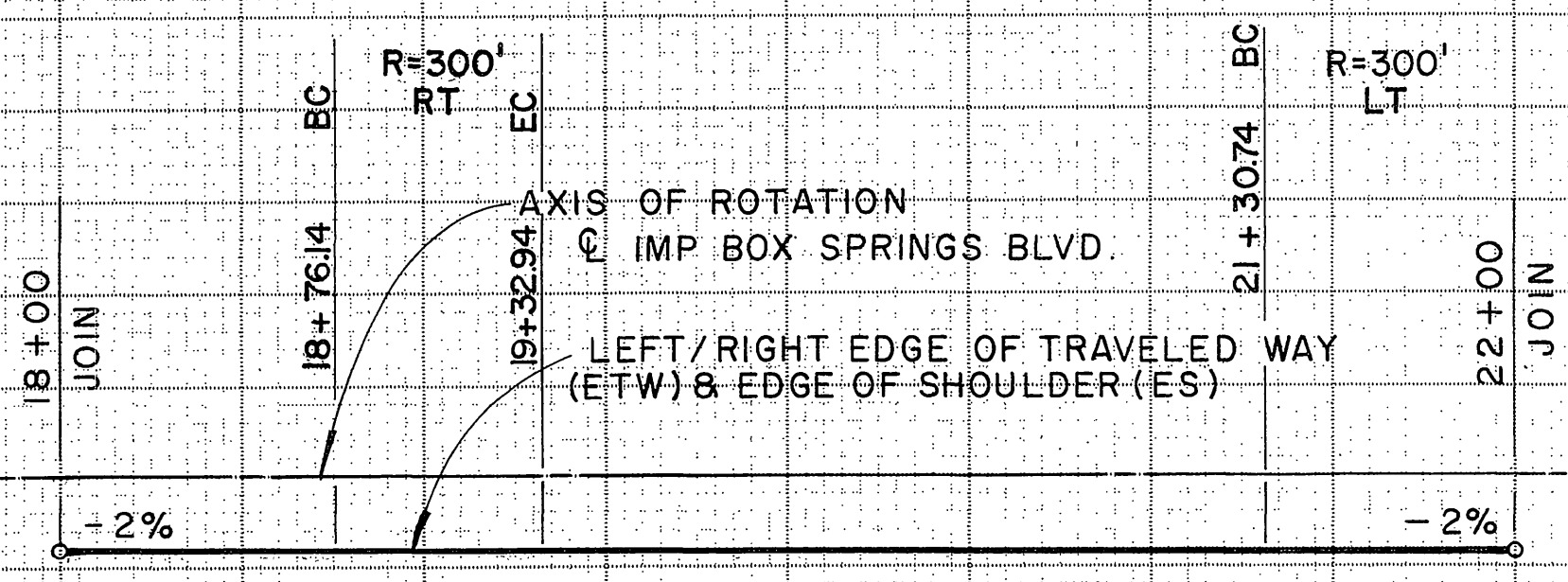
REGISTERED CIVIL ENGINEER

PLANS APPROVAL DATE

**Greiner, Inc.**  
1221 EAST DYER ROAD, Suite 100  
SANTA ANA, CALIFORNIA 92705-5605

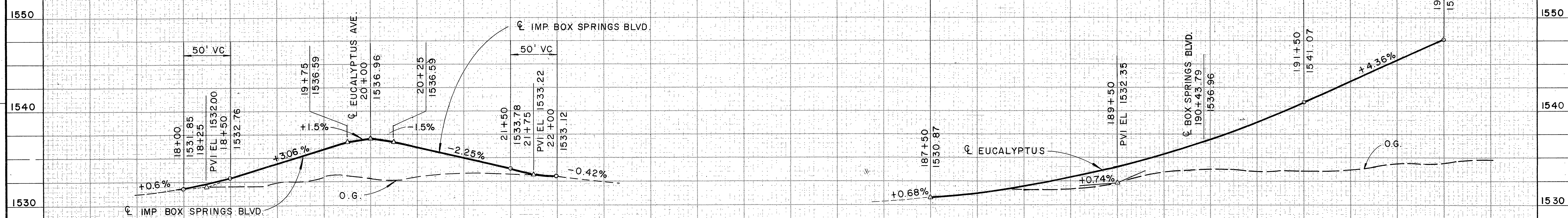


**BENCH MARKS:**  
 55-A-69 SPHD NAIL IN LEAD IN RR CULVERT HEAD WALL. 1331' ±. Q. EXIST. 547' ± 05.00 EL. = 1535.35  
 56-A-69 PIN IN R/W MON 100' LT. Q. EXIST. 557' ± 35.00 EL. = 1533.91  
 SEA LEVEL DATUM OF 1929 AND THE FIRST ORDER RIVERSIDE COUNTY COOPERATIVE LEVELING OF 1970.



SUPERELEVATION DIAGRAM

SUPERELEVATION DIAGRAM



PROFILE

PROFILE


BOX SPRINGS BLVD.

EUCALYPTUS AVE.

PROFILE

Station	18	19	20	21	22	187	188	189	190	191	192	193
Cu.												
Exc.												
Yds.												

FOR REDUCED PLANS ORIGINAL SCALE IS IN INCHES



CU EÀ DEPT. OF PUBLIC WORKS

INDEXED 6-21-06 LHH  
JUN 02 1988

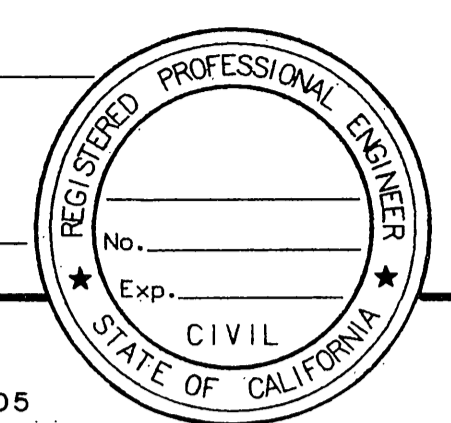
STATE OF CALIFORNIA - DEPARTMENT OF TRANSPORTATION  
*Caltrans*

PROCESS PRINT

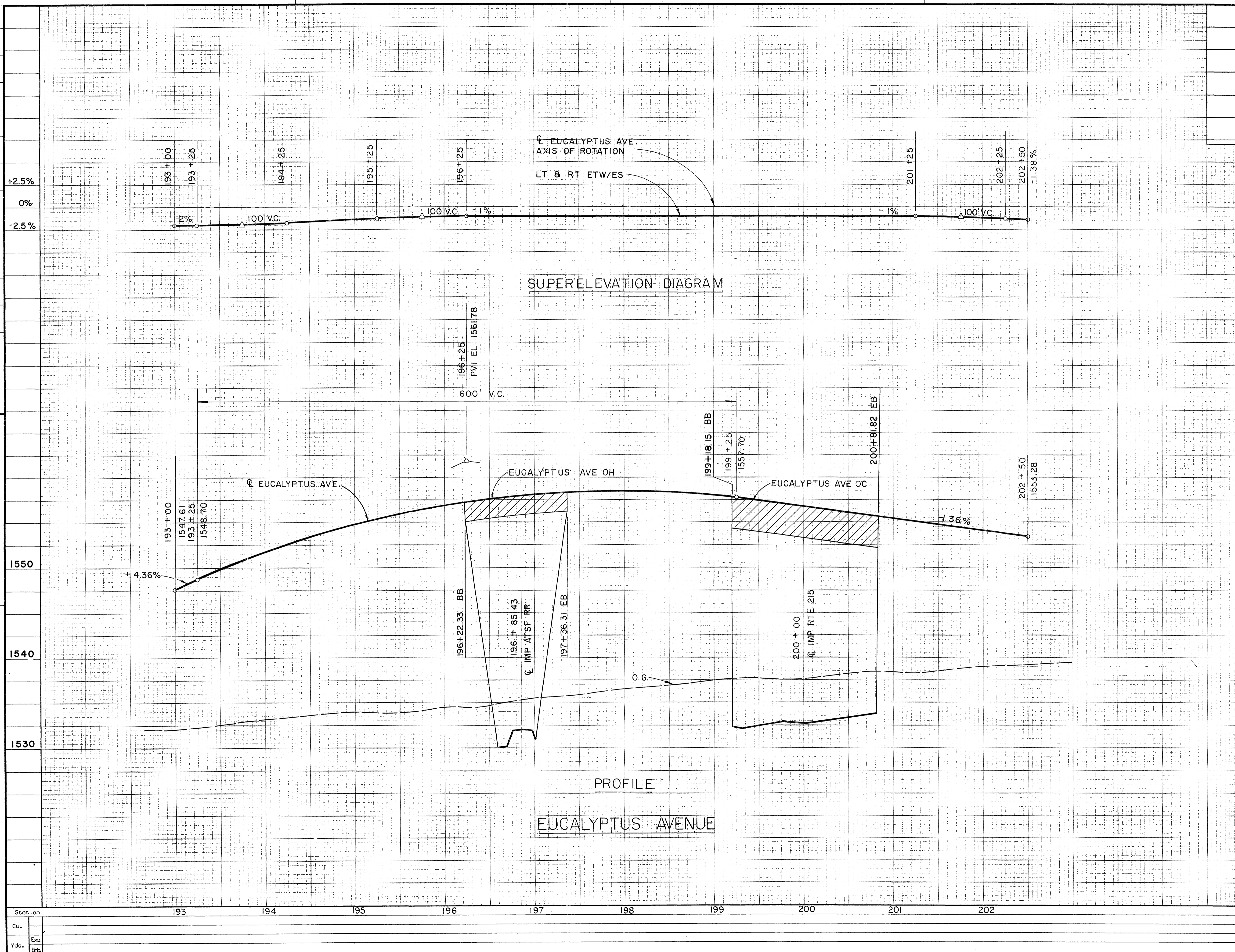
R-3946

RECEIVED  
JUN 07 1988

DIST	COUNTY	ROUTE	POST MILES TOTAL PROJECT	SHEET NO.	TOTAL SHEETS
8	RIV	215	34.2 / R 38.2		
REGISTERED CIVIL ENGINEER					
PLANS APPROVAL DATE					
<b>Greiner, Inc.</b> 1221 EAST DYER ROAD, Suite 100 SANTA ANA, CALIFORNIA 92705-5605					



STATE OF CALIFORNIA - DEPARTMENT OF TRANSPORTATION  
**Caltrans**  
 PROJECT ENGINEER  
 CALCULATED/DESIGNED BY  
 CHECKED BY  
 DATE  
 REVISED BY  
 DATE REVISED



**BENCH MARKS:**

55-A-69 SPHD NAIL IN LEAD IN RR CULVERT HEAD WALL 133' LT. C EXIST. 547' 05.00 EL. = 1535.35

56-A-69 PIN IN R/W MON 100' LT. C EXIST. 557' 35.00 EL. = 1533.91

SEA LEVEL DATUM OF 1929 AND THE FIRST ORDER RIVERSIDE COUNTY COOPERATIVE LEVELING OF 1970.

PROGRESS PRINT

PROFILE R-3946

RECEIVED JUN 07 1989

FOR REDUCED PLANS ORIGINAL SCALE IS IN INCHES

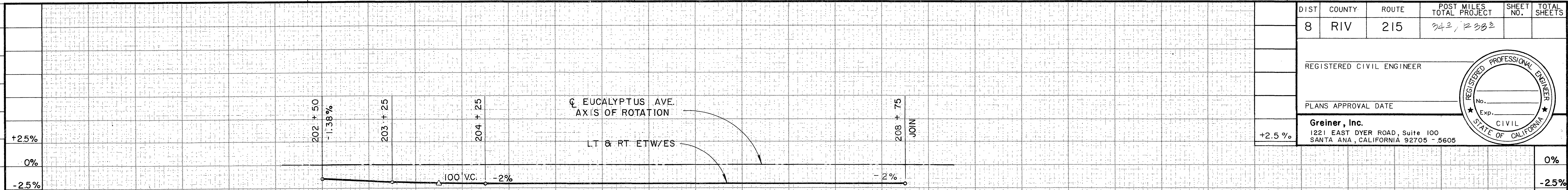


DIST	COUNTY	ROUTE	POST MILES TOTAL PROJECT	SHEET NO.	TOTAL SHEETS
8	RIV	215	242 / 292		

REGISTERED CIVIL ENGINEER

PLANS APPROVAL DATE

Greiner, Inc.  
1221 EAST DYER ROAD, Suite 100  
SANTA ANA, CALIFORNIA 92705 - 5605



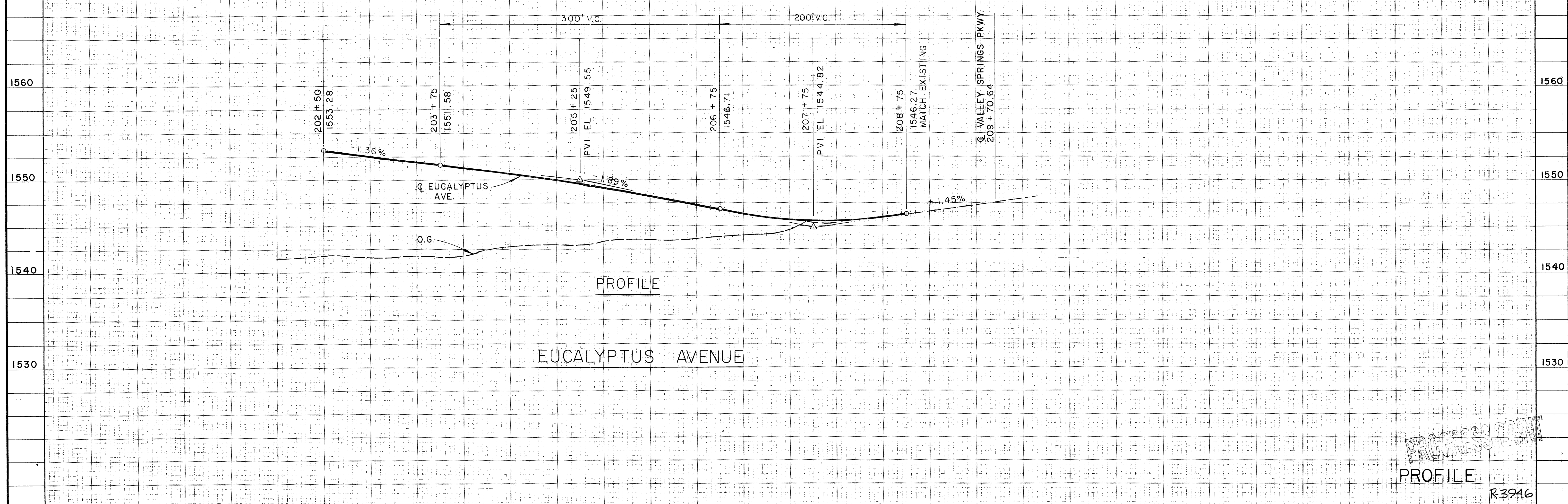
SUPERELEVATION DIAGRAM

**BENCH MARKS:**

55-A-69 SPHD NAIL IN LEAD IN RR CULVERT HEAD WALL 133' LT. C EXIST. 547' \* 05.00 EL. = 1535.36

56-A-69 PIN IN R/W MON 100' LT. C EXIST. 557' \* 35.00 EL. = 1533.91

SEA LEVEL DATUM OF 1929 AND THE FIRST ORDER RIVERSIDE COUNTY COOPERATIVE LEVELING OF 1970.



EUCALYPTUS AVENUE

PROGRESSIVE  
PROFILE  
R-3946

Station	202	203	204	205	206	207	208	209	210
Cu.									
Yds.									

FOR REDUCED PLANS ORIGINAL SCALE IS IN INCHES

CU EA DEPT. OF PUBLIC WORKS

DIST	COUNTY	ROUTE	POST MILES TOTAL PROJECT	SHEET NO.	TOTAL SHEETS
8	RIV	215	342 / R383		

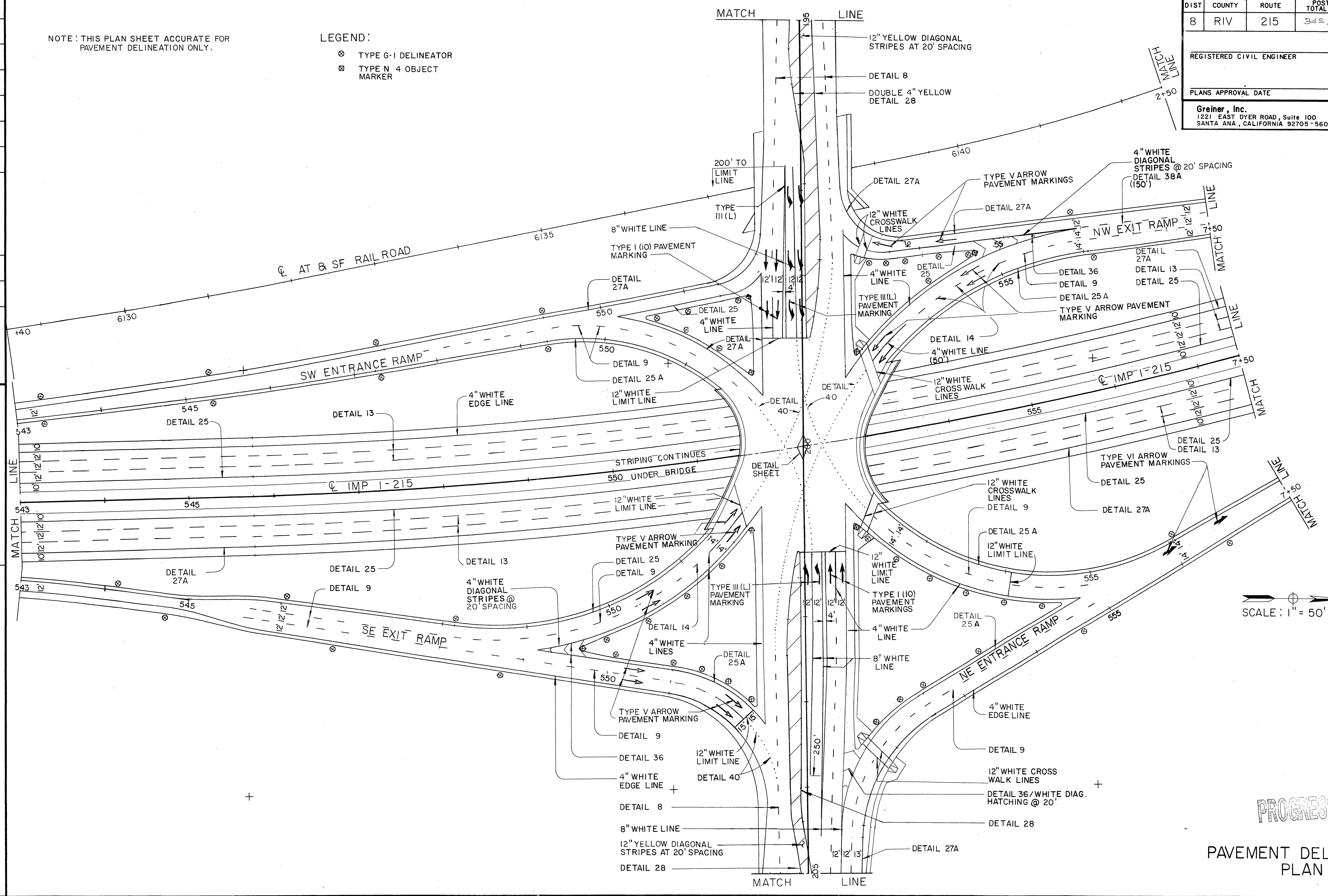
REGISTERED CIVIL ENGINEER

PLANS APPROVAL DATE

Greiner, Inc.  
1221 EAST DYER ROAD, Suite 100  
SANTA ANA, CALIFORNIA 92705-5605

NOTE: THIS PLAN SHEET ACCURATE FOR PAVEMENT DELINEATION ONLY.

- LEGEND:
- ⊗ TYPE G-1 DELINEATOR
  - ⊠ TYPE N 4 OBJECT MARKER



SCALE: 1" = 50'

PROGRESS PRINT

R-3946  
PAVEMENT DELINEATION  
PLAN  
RECEIVED  
JUN 07 1989



CU EA DEPT. OF PUBLIC WORKS

INDEXED 6-21-06 lft  
JUN 02 1989

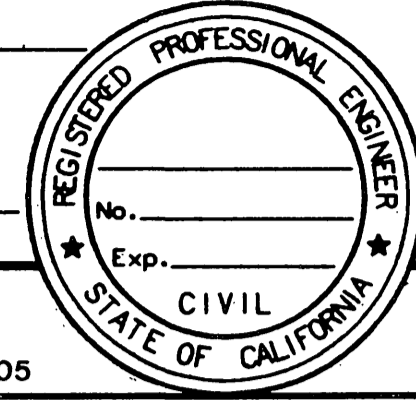
PROJECT ENGINEER  
 DESIGNED BY  
 CHECKED BY  
 CALCULATED BY  
 DATE  
 REVISIONS  
 DATE  
 REVISIONS  
 DATE  
 REVISIONS  
 STATE OF CALIFORNIA - DEPARTMENT OF TRANSPORTATION  
 St. Caltrans

DIST	COUNTY	ROUTE	POST MILES TOTAL PROJECT	SHEET NO.	TOTAL SHEETS
8	RIV	215	34.7/3382		

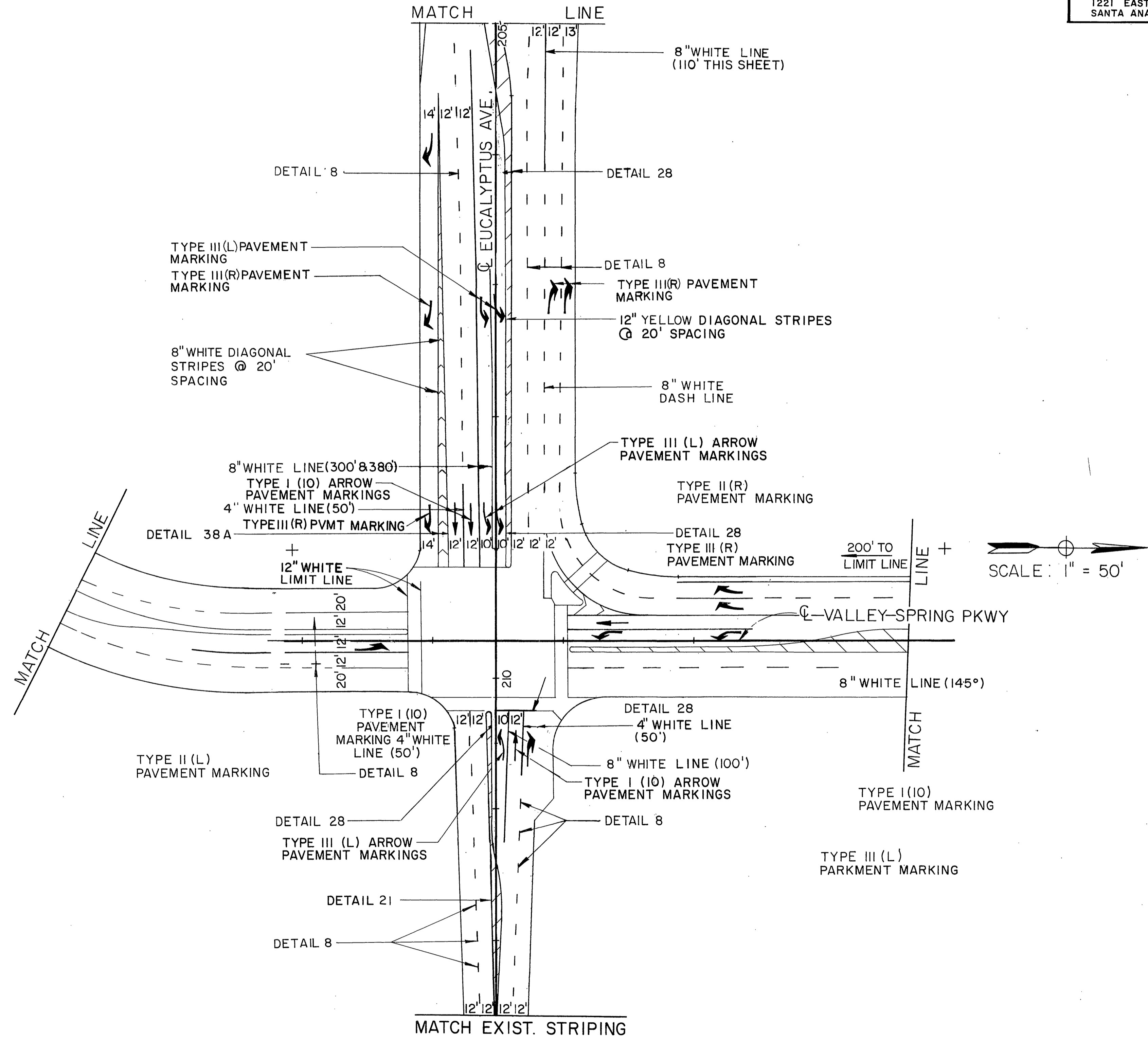
REGISTERED CIVIL ENGINEER

PLANS APPROVAL DATE

Greiner, Inc.  
1221 EAST DYER ROAD, Suite 100  
SANTA ANA, CALIFORNIA 92705-5605



NOTE: THIS PLAN SHEET ACCURATE FOR PAVEMENT DELINEATION ONLY.



REVISOR


DATE	REVISOR	DATE	REVISOR

PROJECT ENGINEER

STATE OF CALIFORNIA - DEPARTMENT OF TRANSPORTATION



FOR REDUCED PLANS ORIGINAL SCALE IS IN INCHES



PROGRESS PRINT

R-3946  
PAVEMENT DELINEATION PLAN

RECEIVED

JUN 07 1989

EA DEPT. OF PUBLIC WORKS

INDEXED 6-21-06 4H

JUN 02 1989

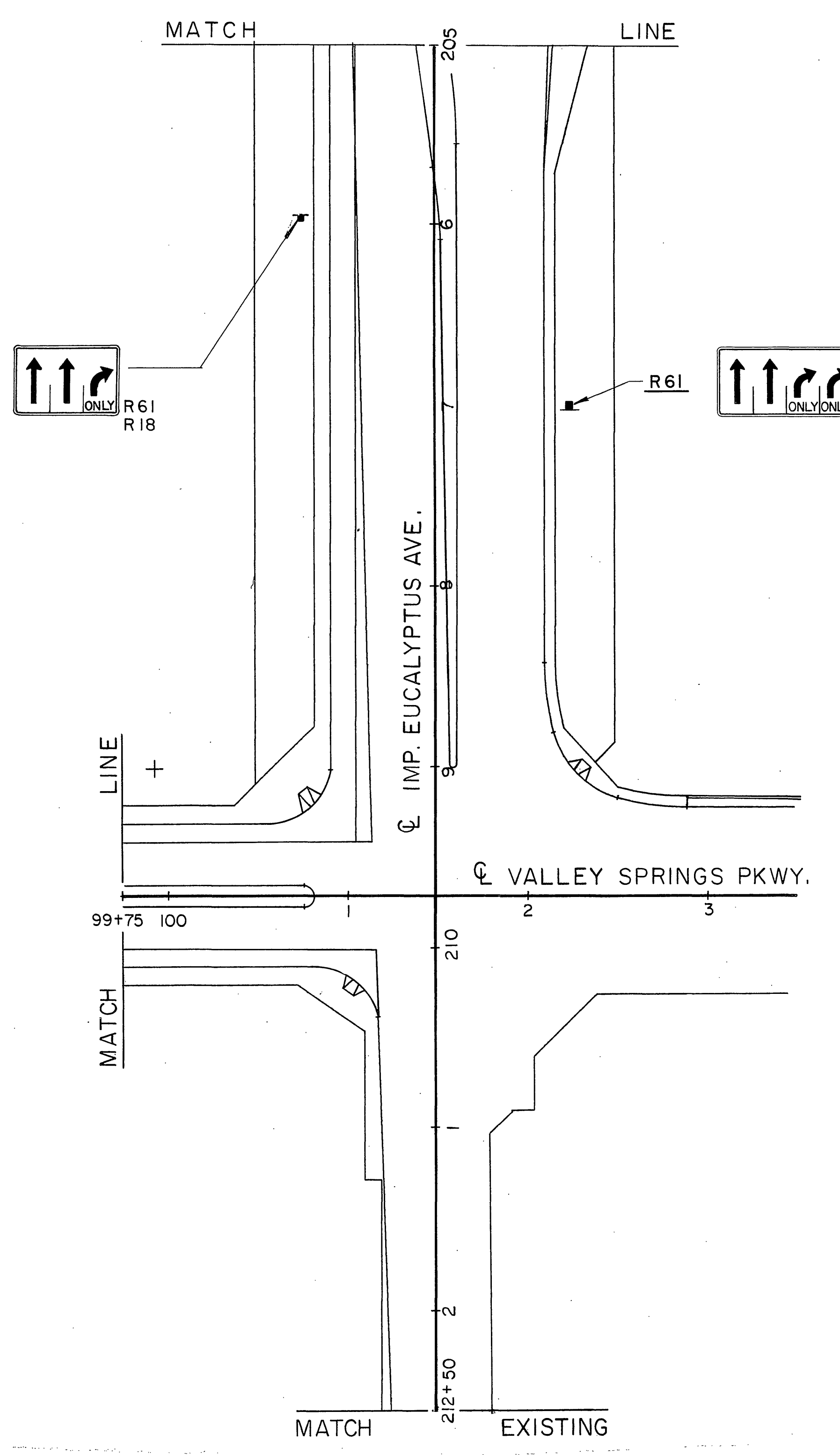
STATE OF CALIFORNIA - DEPARTMENT OF TRANSPORTATION  
*St. Gobans*

PROJECT ENGINEER  
 CALCULATED/DESIGNED BY  
 CHECKED BY  
 DATE  
 REVISED BY  
 DATE REVISED

NOTE: THIS PLAN SHEET ACCURATE FOR SIGNING ONLY.

DIST	COUNTY	ROUTE	POST MILES TOTAL PROJECT	SHEET NO.	TOTAL SHEETS
8	RIV	215	342/R383		

REGISTERED CIVIL ENGINEER  
 PLANS APPROVAL DATE  
 Greiner, Inc.  
 1221 EAST DYER ROAD, Suite 100  
 SANTA ANA, CALIFORNIA 92705-5605



SCALE: 1" = 50'

PROGRESS PRINT  
 ROADSIDE SIGN PLAN  
 R-3946  
 RECEIVED  
 JUN 07 1989

FOR REDUCED PLANS ORIGINAL SCALE IS IN INCHES  
 0 1 2 3

CU EA DEPT. OF PUBLIC WORKS

INDEXED 6-21-06 ft  
 JUN 0 2 1989





DIST	COUNTY	ROUTE	POST MILES TOTAL PROJECT	SHEET NO.	TOTAL SHEETS
8	RIV	215	342 / R 382		

REGISTERED CIVIL ENGINEER

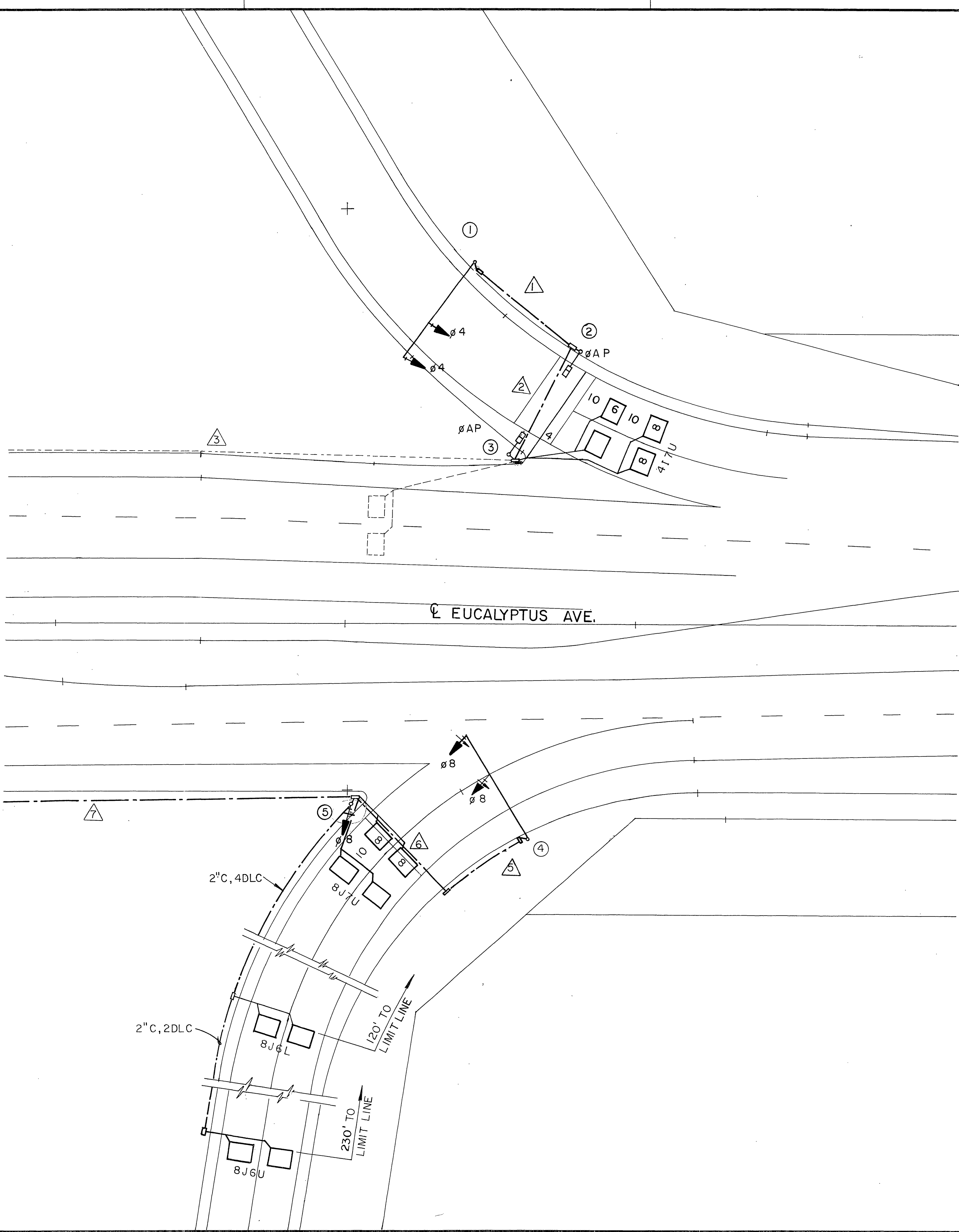
PLANS APPROVAL DATE

**Greiner, Inc.**  
1221 EAST DYER ROAD, Suite 100  
SANTA ANA, CALIFORNIA 92705-5605

CONDUCTOR SCHEDULE		RUN NO.																	
AWG	CIRCUIT	1	2	3	4	5	6	7	8	9	10	11	12	13	14	15	16	17	
#14	Ø 1																		
	Ø 2																		
	Ø 3																		
	Ø 4 (1)	3	3	3	3	3													
	Ø 5																		
	Ø 6																		
	Ø 7																		
	Ø 8 (2)																		
	Ø AP (3)	2	2	2	2														
	Ø BP (4)																		
	Ø CP (5)																		
	Ø A PPB	1	1	1	1														
	Ø B PPB																		
	Ø C PPB																		
	PPB COMMON	1	1	1	1														
	SPARES	3	3	3	3	3	3	3	3	3	3	3	3	3	3	3	3	3	
	TOTAL	6	10	10	10	10	6	6	6	9	13	13	13	14	14	14	14	14	
	Ø K (6)																		
	Ø L (7)																		
#12	SIGNAL COMM.	1	1	1	1	1	1	1	1	1	1	1	1	1	1	1	1	1	
#10																			
#6	SIGNAL SERVICE																		
	Ø 1																		
	Ø 2																		
	Ø 3																		
	Ø 4																		
	Ø 5																		
	Ø 6																		
	Ø 7																		
	Ø 8																		
	TOTAL	2"	2"	2"	2 1/2"	3"	2"	2"	2 1/2"	3"	2 1/2"	3 1/2"	3 1/2"	3 1/2"	3 1/2"	2 1/4"	2"	2"	2"

- (1) Ø 4 = (Ø 1 OR Ø 2 OR Ø 3 OR Ø 6 OR Ø 7 OR Ø 8) AND (Ø 4) AND (NOT Ø 5)
- (2) Ø 8 = (Ø 1 OR Ø 3 OR Ø 4 OR Ø 5 OR Ø 6) AND (Ø 8) AND (NOT Ø 2 OR NOT Ø 7)
- (3) Ø Ap = (Ø 1 OR Ø 2 OR Ø 5 OR Ø 8) AND (NOT Ø 4)
- (4) Ø Bp = (Ø 1 OR Ø 2 OR Ø 3 OR Ø 4 OR Ø 6 OR Ø 8) (NOT Ø 5 OR NOT Ø 7)
- (5) Ø Cp = (Ø 1 OR Ø 2 OR Ø 3 OR Ø 4 OR Ø 5 OR Ø 6 OR Ø 8) AND (NOT Ø 7)
- (6) Ø K = GREEN, SIMULTANEOUS WITH Ø 5 BUT YELLOW (Ø RED) DELAYED 12 SECONDS AFTER Ø 5 START OF YELLOW (DELAY IS TO BE ADJUSTABLE 8-24 SECONDS)
- (7) Ø L = YELLOW AT START OF Ø 5 GREEN, RETURN TO GREEN AT START OF Ø K RED.

POLE SCHEDULE										
N O.	STANDARD	ARMS	LUM.	PUSH BT.	SIGNAL MOUNTING					
	TYPE	HT.	SIG.	LUM.	H.P.S.V.	TYP.	Ø	QUD	VEHICLE	PED.
1	27-3-80	17	40	-	-	-	-	-	MAS, MAS	-
2	IA	7	-	-	-	2	E	-	-	TP-I-T
3	IA	7	-	-	-	2	W	-	-	TP-I-T
4	27-3-80	17	40	-	-	-	-	-	MAS, MAS	-
5	IA	10	-	-	-	-	-	-	TV-I-T	-
6	15	30	-	-	-	-	-	-	SV-I-T*	-
7	IA	10	-	-	-	-	-	-	TV-I-T	-
8	15	30	-	-	-	2	W	-	SV-I-T*	SP-I-T
9	IA	7	-	-	-	2	E	-	-	TP-I-T
10	IA	7	-	-	-	2	W	-	-	TP-I-T
11	IA	10	-	-	-	2	E	-	TV-I-T	SP-I-T
12	SPECIAL	-	-	-	-	-	-	-	12 SPECIAL	-
13	15	30	-	-	-	-	-	-	SV-2-T*	-
14	23-3-80	30	35	-	-	-	-	-	MAS, MAS, SV-I-T	-
15	IA	10	-	-	-	-	-	-	SV-I-T	-



NOTE: THIS PLAN SHEET ACCURATE FOR ELECTRICAL WORK ONLY.

PROGRESS PRINT

SIGNAL AND LIGHTING  
SCALE: 1" = 20'  
R-3946 JUN 07 1989

PROJECT ENGINEER  
 CHECKED BY  
 DESIGNED BY  
 CALCULATED BY  
 DATE REVISID  
 REVISID BY  
 DATE  
 STATE OF CALIFORNIA - DEPARTMENT OF TRANSPORTATION  
 Et Caltrans

DIST	COUNTY	ROUTE	POST MILES TOTAL PROJECT	SHEET NO.	TOTAL SHEETS
8	RIV	215			

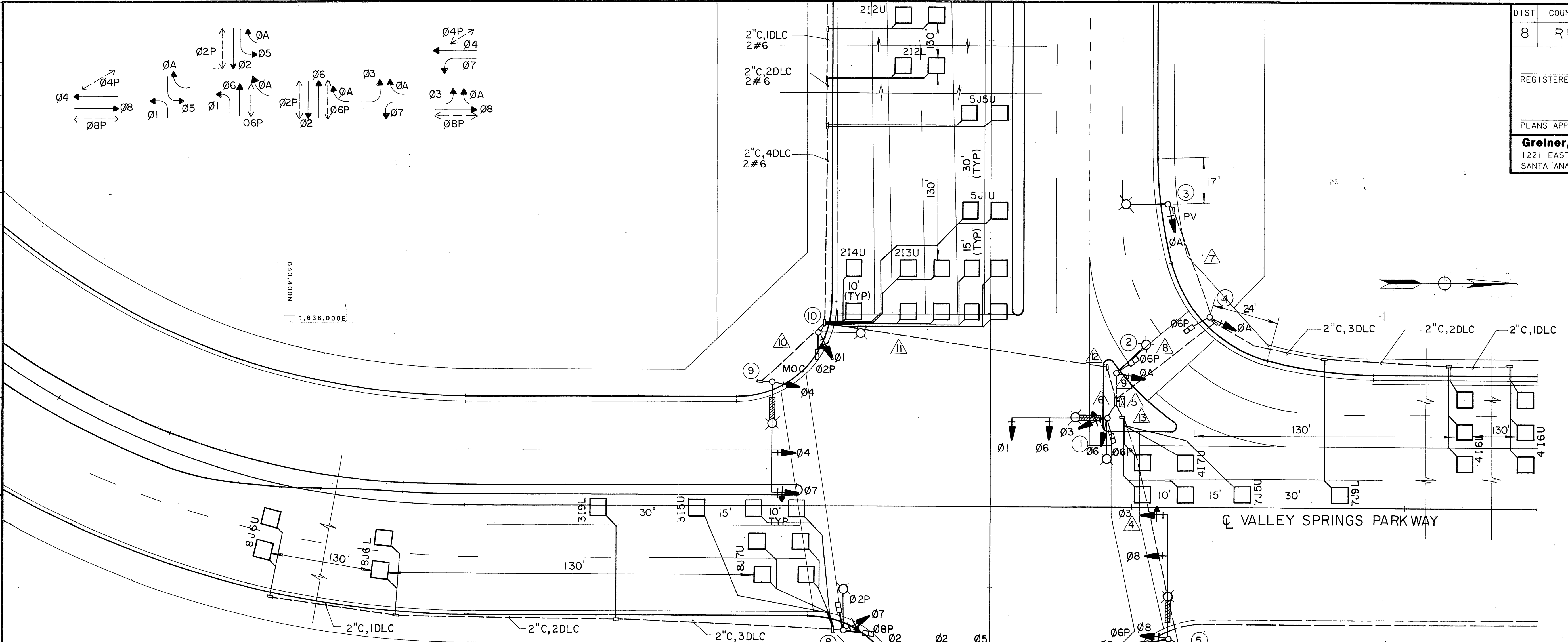
REGISTERED CIVIL ENGINEER

PLANS APPROVAL DATE

**Greiner, Inc.**  
1221 EAST DYER ROAD, Suite 100  
SANTA ANA, CALIFORNIA 92705-5605

PROJECT ENGINEER  
 STATE OF CALIFORNIA - DEPARTMENT OF TRANSPORTATION  
 St Colborn

REVISOR	DATE	REVISION



CONDUCTOR SCHEDULE		RUN N <sup>o</sup>													
AWG.	CIRCUIT	1	2	3	4	5	6	7	8	9	10	11	12	13	
Ø1													3	3	6
Ø2		3	3	3	3										3
Ø3						3	3	3							6
Ø4												3	3	3	3
Ø5		3	3	3	3										3
Ø6															3
Ø7		3	3	3	3	3						3	3	3	6
Ø8						3	3								3
ØA								3	3	3					
Ø2P		2	2	2	2	2						2	2	4	
Ø6P				2	2	2	2		2	2					4
Ø8P		2	2	2	2	2									2
Ø2PPB		1	1	1	1	1						1	1	1	2
Ø6PPB															4
Ø8PPB		1	1	1	1	1									1
PPB COMMON		1	1	1	1	1	1	1	1	1	1	1	1	1	1
SPARES		3	3	3	3	3	3	3	3	3	3	3	3	3	6
TOTAL		12	19	21	28	28	16	6	10	10	11	16	16	57	
ISNS		-	2	2	2	2	2	-	-	-	-	2	2	6	
SIGN COMMON		1	1	1	1	1	1	1	1	1	1	1	1	5	
LUMINAIRE		2	2	2	2	2	2	2	2	2	2	2	2	10	
TOTAL		3	3	3	3	3	3	3	3	3	3	3	3	15	
SIGNAL SERV.														2	2
Ø1			1	2	2										2
Ø2												3	3	3	
Ø3		2	2	2	2	2									2
Ø4					1			2							3
Ø5												4	4	4	
Ø6				2	3	3									3
Ø7						1			1						2
Ø8		3	3	3	3	3									3
TOTAL		5	5	8	10	12	-	-	3	-	-	7	7	22	
CONDUIT SIZE		2 1/2	2 1/2	3	3	3 1/2	2	2	2	2	2	3	3	2 1/2	

POLE SCHEDULE												
N <sup>o</sup>	STANDARD TYPE	HT.	ARMS SIG.	LUM.	LUM. H.P.S.V.	PUSH BT. TYPE Ø	QUD.	SIGNAL MOUNTING VEHICLE	PED.	I.S.N.S. MESSAGE	PLACEMENT A	B
1	24-4-80	30	35	15	15	200	2 6 N	MAS,MAS,SV2T	SPIT	VALLEY SPRINGS	2.5	2.5
2	15	30		15	200	2 6 E		SVIT	SPIT		8	2.5
3	15	30		15	200			SVIT			17	2.5
4	1A	10				2 6 W		TVIT	SPIT		24	2.5
5	26-4-80	30	45	15	200	2 6 S		MAS,MAS,SVIT	SPIT	EUCALYPTUS	13	2.5
6	15	30		15	200	2 8 W		SVIT	SPIT		14	2.5
7	24-4-80	30	35	15	200	2 8 W		MAS,MAS,SVIT		VALLEY SPRINGS	13	2.5
8	15	30		15	200	2 2 S		SVIT	SP2T		13	2.5
9	26-4-80	30	40	15	200	2 2 N		MAS,MAS,SVIT		EUCALYPTUS	16	2.5
10	15	30		15	200			SVIT	SPIT		13	2.5

\* MOUNT @ 17' WIDTH.

PROGRESS PRINT

EUCALYPTUS / VALLEY SPRINGS

SCALE : 1" = 20'

R-3946 RECEIVED JUN 07 1989

CU EA DEPT. OF PUBLIC WORKS

