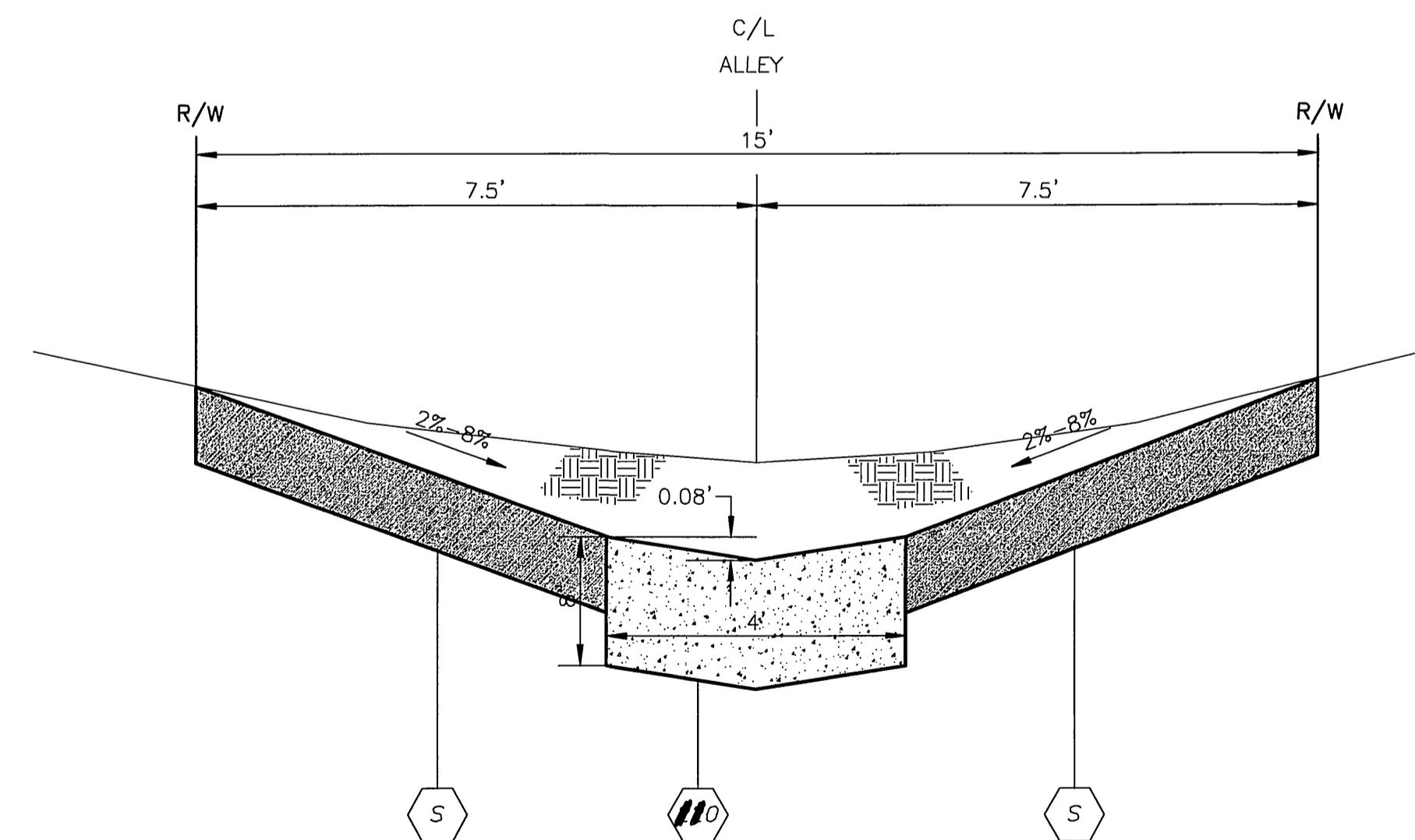


GENERAL CONSTRUCTION NOTES

- 1 EXISTING UTILITIES, SHOWN ON THIS PLAN, ARE PLOTTED FROM UTILIT' RECORDS. THE CONTRACTOR IS REQUIRED TO TAKE DUE PRECAUTIONARY MEASURES TO LOCATE THEM.
- 2 WATER METERS, GAS ETS, AND ALL STREET PULL BOXES AFFECTED BY CONSTRUCTION, SHALL BE ADJUSTED TO THE PROPOSED STREET GRADE.

SPECIFIC CONSTRUCTION NOTES

- NUMBERS, ABOVE 100 IN A HEXAGON ON THE PLAN, REFER TO THE RESPECTIVE STANDARD DRAWING AND SHALL BE CONSTRUCTED ACCORDINGLY, UNLESS MODIFICATIONS ARE NOTED ON THE PLAN OR COVER SHEET. ANY NUMBER SHOWN BELOW THE STANDARD DRAWING NUMBER INDICATES THE SPECIFIC ALTERNATE TO BE CONSTRUCTED.
- CONSTRUCT STRUCTURE SECTION: 0.4' FULL DEPTH OF DGAC.



TYPICAL SECTION

(NTS)

NOTE: AC PAVEMENT SHALL EXTEND TO MEET AND/OR MATCH EXISTING WALLS, DRIVEWAYS, AND BUILDINGS.

PROJECT LOCATION MAP
(NTS)

BENCHMARK 17-C3
ELEV.: 939.915

P.K. NAIL & CITY ENGINEER TAG IN THE TOP OF THE EASTERLY WING OF A CATCH BASIN AT THE NORTHEAST CORNER OF UNIVERSITY AVE. AND OTTAWA AVE.

ENGINEER IN RESPONSIBLE CHARGE
Ibrahim A. Massoud
IBRAHIM A. MASSOUD
R.C.E. No. 64224 expires 6/30/09
DATE 1/11/08



DESIGNED BY	FYL	DRAWN BY	FYL	CHECKED BY	AM
MARK		REVISIONS		APPR.	DATE

APPROVED BY	BY	DATE
ENGINEERING MANAGER	BA	2/11/08
PRINCIPAL ENGINEER	ML	1-9-08
CONSTRUCTION ADMIN.	LS	1-9-08
SURVEYOR	BS	1-11-08
STREET SERVICES	ZOB	1-11-08
TRAFFIC ENGINEER		

CITY OF RIVERSIDE, CALIFORNIA
PUBLIC WORKS DEPARTMENT
APPROVED BY
Ibrahim A. Massoud
CITY ENGINEER
DATE 2/11/08

ALLEY IMPROVEMENT
WEST OF OTTAWA AVE.
BETWEEN LOMA VISTA ST.
AND LINDEN ST.

HORIZ. SCALE: 1" = 20' VERT. SCALE: 1" = 2'

INDEXED 12-01-08 lft
ACCT. NO.: 9594427152-440223XX
W.D.
R-4064
SHEET 1 OF 1
FILE NO.