

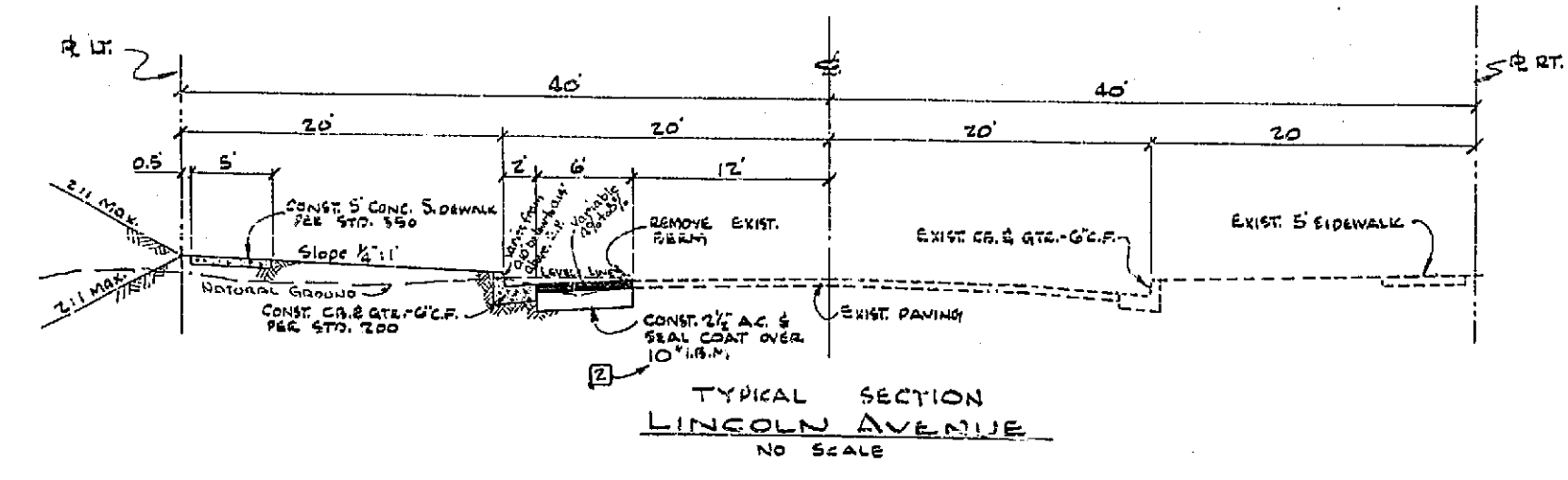
QUANTITY ESTIMATE

CURB & GUTTER - STD. 2.0% G.C.P.	3515 L.F.
1 1/2" A.C. PAVING & SEAL COAT	63,200 S.F.
IMPORTED BANK MATERIAL	22,222 S.F.
CONCRETE SIDEWALK - STD. 3.25	1,378 S.F.
CONCRETE CROSS GUTTER & APRONS	1,402 S.F.
EXCAVATION (Street Only)	62.64 CY.

STREET NAME SIGN SCHEDULE

STREET NAME	NUMBER
A MARY ST.	2900
B LINCOLN AVE.	6800
C BAUTISTA ST.	2900
D LINCOLN AVE.	6800
E MIGUEL ST.	2900

- CONSTRUCTION NOTES**
- CONSTRUCT CURB AND GUTTER - STD. 2.0% G.C.P.
 - CONSTRUCT 1 1/2" A.C. PAVING AND SEAL COAT OVER 1.5" A.C. (CONFORMANCE WITH 1944 NOTES) (SEE GENERAL NOTE NO. 3)
 - CONSTRUCT 5" CONCRETE SIDEWALK PER STD. 325.
 - CONSTRUCT CONCRETE CROSS GUTTER & APRONS STD. 2.10.
 - CONSTRUCT 2" CONCRETE PEDESTRIAN WALK TO MATCH EXISTING.
 - CONSTRUCT CONCRETE SIDEWALK PER STD. 325. □



NOTICE TO THE CONTRACTOR.
 THE EXISTENCE AND LOCATION OF ANY UNDERGROUND UTILITY PIPES OR STRUCTURES SHOWN ON THESE PLANS ARE OBTAINED BY A SEARCH OF THE AVAILABLE RECORDS. TO THE BEST OF OUR KNOWLEDGE THERE ARE NO EXISTING UTILITIES EXCEPT AS SHOWN ON THE PLANS. THE CONTRACTOR IS REQUIRED TO TAKE DUE PRECAUTIONARY MEASURES TO PROTECT THE UTILITY LINES SHOWN AND ANY OTHER LINES NOT OF RECORD OR NOT SHOWN ON THESE PLANS.

- BENCH MARK:**
 P.C. NAIL IN ELY CURB MARY ST. 660' ELY OF MARGARITA - OPPOSITE HOUSE NO. 3005 ELEV. 916.53
- GENERAL NOTES:**
- IT SHALL BE THE RESPONSIBILITY OF THE CONTRACTOR TO CLEAR THE RIGHT OF WAY IN ACCORDANCE WITH THE PROVISIONS OF LAW AS IT AFFECTS EACH UTILITY, INCLUDING RECREATION LINES AND APPURTENANCES AND AT NO COST TO THE CITY.
 - CONSTRUCTION SHALL BE IN ACCORDANCE WITH THE CITY OF RIVERSIDE DEPARTMENT OF PUBLIC WORKS SPECIFICATIONS NO. 441 AND STANDARD DRAWINGS.
 - TRIM EDGES OF EXISTING PAVING WHERE NEW PAVING JOINS EXISTING PAVEMENT TO CLEAN STRAIGHT LINE. CONSTRUCT MATCH-UP PAVING AS SHOWN AND OVERLAY PAVING AS DIRECTED IN THE FIELD TO PRODUCE SMOOTH CROWN SECTION.
 - PRIME COAT AND PAINT BINDER ARE REQUIRED.
 - THE CITY OF RIVERSIDE WILL MAKE A SOIL TEST TO DETERMINE THE REQUIREMENT ON IMPORTED BANK MATERIAL AFTER THE STREETS HAVE BEEN PREPARED TO ROUGH GRADE.
 - STREET NAME SIGNS AND POSTS TO BE FURNISHED AND INSTALLED BY THE SUBDIVIDER PER CITY SPECIFICATIONS AND STANDARD DWS. NO. 622.

ALBERT A. WEBB ASSOCIATES
 CIVIL ENGINEERS - RIVERSIDE, CALIFORNIA
 APPROVED: *Albert A. Webb* DATE: 2/6/63
 E.L. 9876

CITY OF RIVERSIDE, CALIFORNIA
 DEPARTMENT OF PUBLIC WORKS
 STREET PLAN & PROFILE
 OF
LINCOLN AVENUE
 IN
 TRACT NO. 2578

MARK	DATE	REVISION DESCRIPTION
1	8-2-62	REVISED GRADES AND APPROVED ON MIGUEL & BAUTISTA. <i>Tom Young</i>
2	11-11-62	ADDED L&M. <i>Tom Young</i>

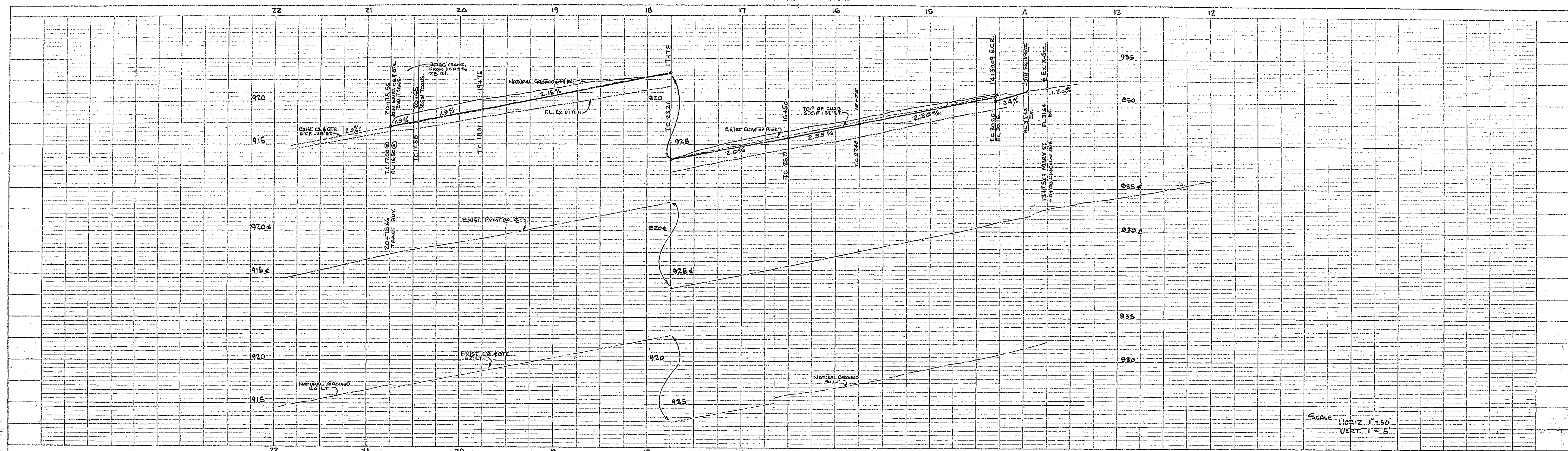
DATE: JANUARY 1963
 DRAWN: *W.D.*
 CHECKED: *W.D.*
 SCALE: 1" = 50'
 W.D. 62-336
 F.B. 455/30
 APPROVED BY: *W.D.*
 DIRECTOR OF PUBLIC WORKS
 DATE: 4-1-63
 NO. R-674
 SHEET 1 OF 4

PROFILE
 SURVEYED:
 PAPER CHECKED:
 PROFILE ADJUSTED:
 DATE:

PLAN
 SURVEYED:
 L&M CHECKED:
 REVISIONS:
 DATE:

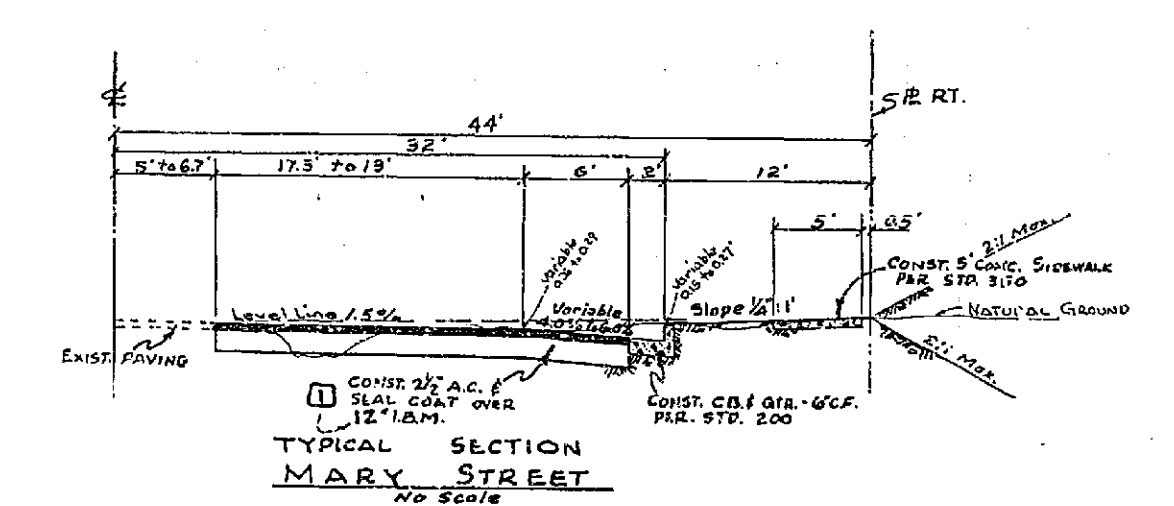
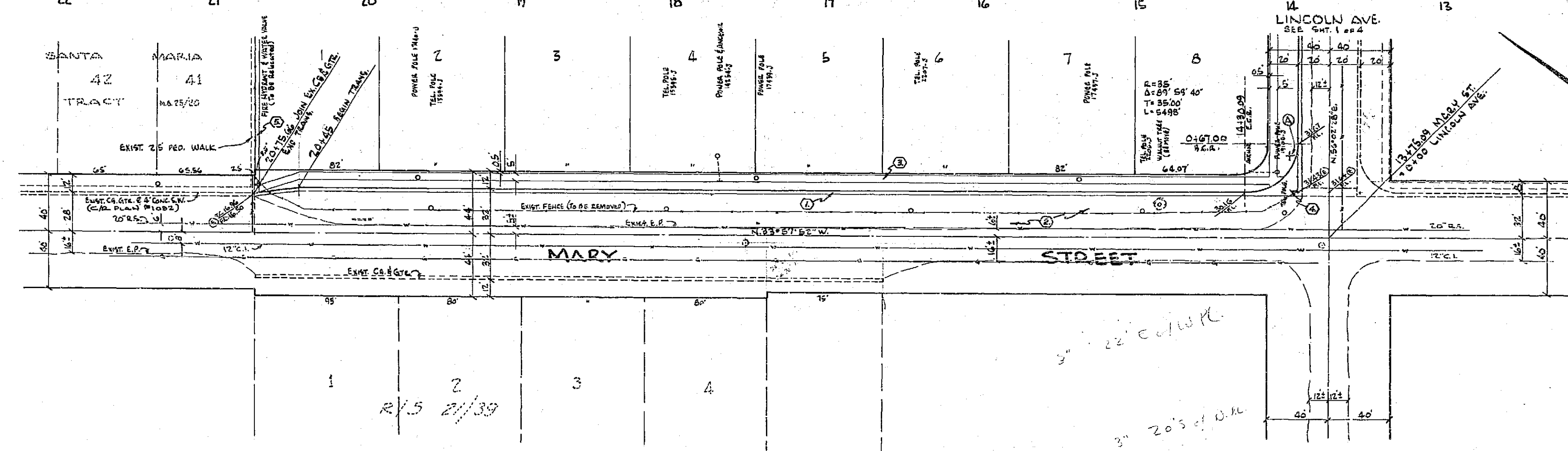
PROJECT	
SUBJECT	
DATE	
BY	
CHECKED	
APPROVED	

PLAN	
DATE	
BY	
CHECKED	
APPROVED	

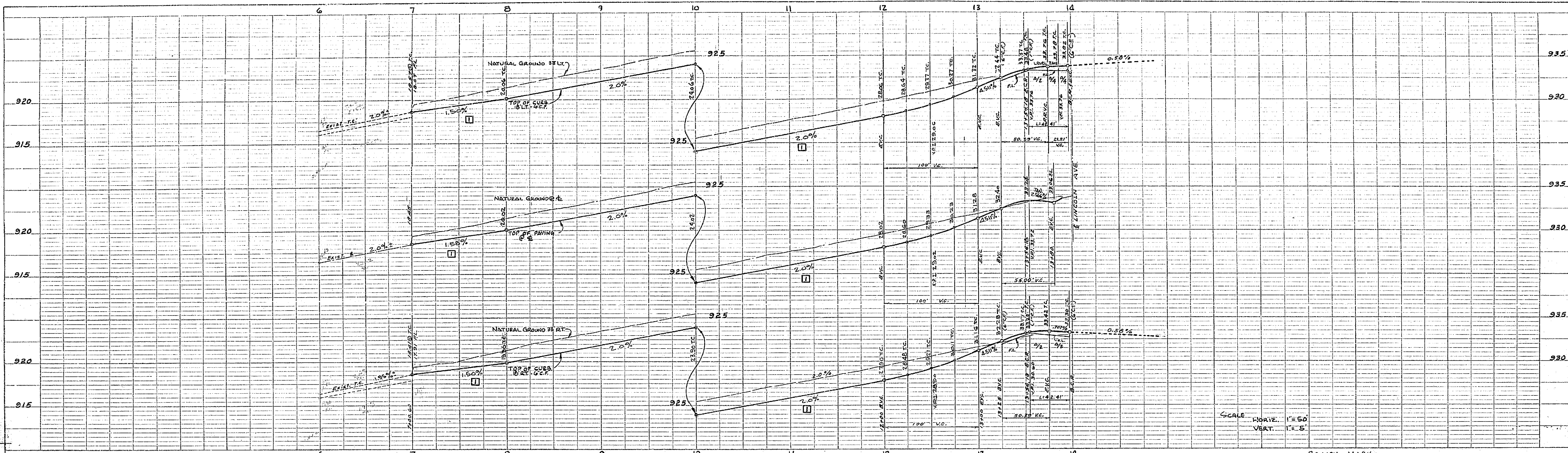


SCALE HORIZ. 1"=50'
VERT. 1"=5'

BENCH MARK:
P.C. MAIL IN ELY CURB MAY ST. 660 1/2 SLY OF
MARGUERITA. OPPOSITE CORNER NO. 3008 ELEV. 916.55.

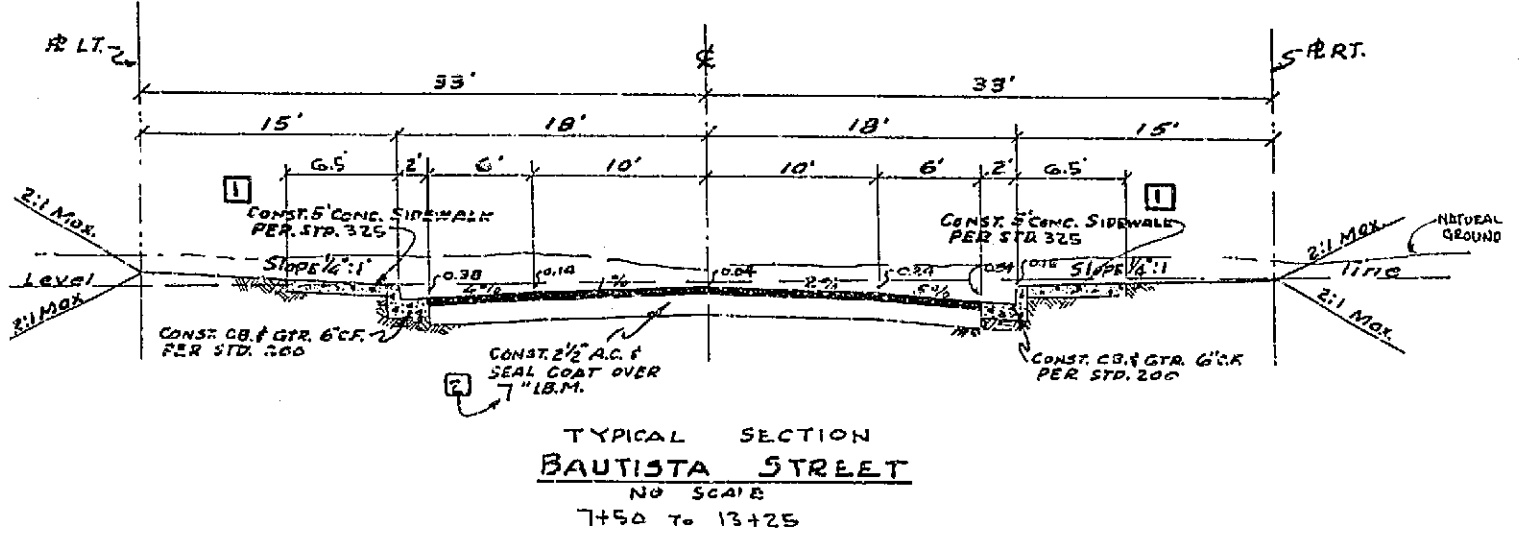
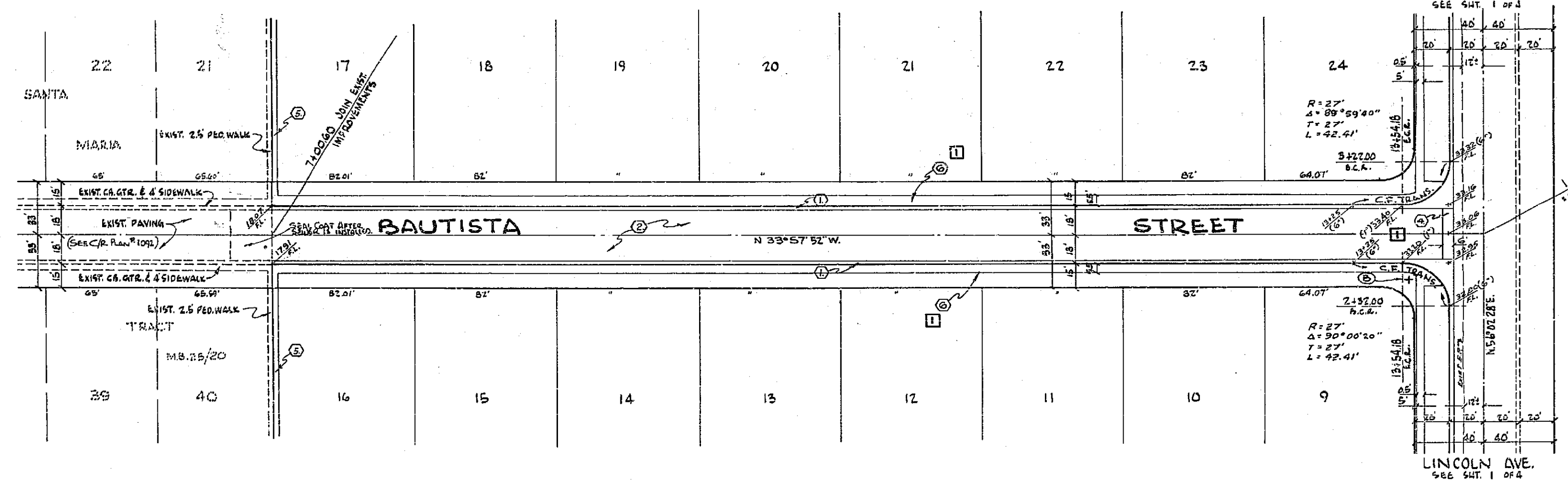


ALBERT A. WEBB ASSOCIATES CIVIL ENGINEERS - RIVERSIDE, CALIFORNIA APPROVED: <i>[Signature]</i> DATE 2/10/63		
CITY OF RIVERSIDE, CALIFORNIA DEPARTMENT OF PUBLIC WORKS		
STREET PLAN & PROFILE OF MARY STREET IN TRACT NO. 2578		
DATE	SCALE	APPROVED BY
JANUARY 1963	1"=50'	<i>[Signature]</i>
DRAWN BY	W.O.	DIRECTOR OF PUBLIC WORKS
10-3162	GZ-336	
CHECKED BY	F.R.	DATE
100	465/31	4-1-63
		SHEET 2 OF 4



BENCH MARK:
 PK. NAIL IN ELY CURB MARY ST. 660' SLY OF
 MARGHERITA - OPPOSITE HOUSE NO. 3005. ELEV. 916.53

SCALE: HORIZ. 1"=50'
 VERT. 1"=5'



ALBERT A. WEBB ASSOCIATES
 CIVIL ENGINEERS - RIVERSIDE, CALIFORNIA
 APPROVED: [Signature] DATE 2/6/63
 E.E. 7872

CITY OF RIVERSIDE, CALIFORNIA
 DEPARTMENT OF PUBLIC WORKS
 STREET PLAN & PROFILE
 OF
BAUTISTA STREET
 TRACT NO. 2578

REVISION		
MARK	DATE	DESCRIPTION
1	0-0-63	REVISED GRADES AND SIDEWALK OF BAUTISTA ST FROM [Signature] AT J
2	10-31-63	ADDED LAM. TO TR. SECT. AT J

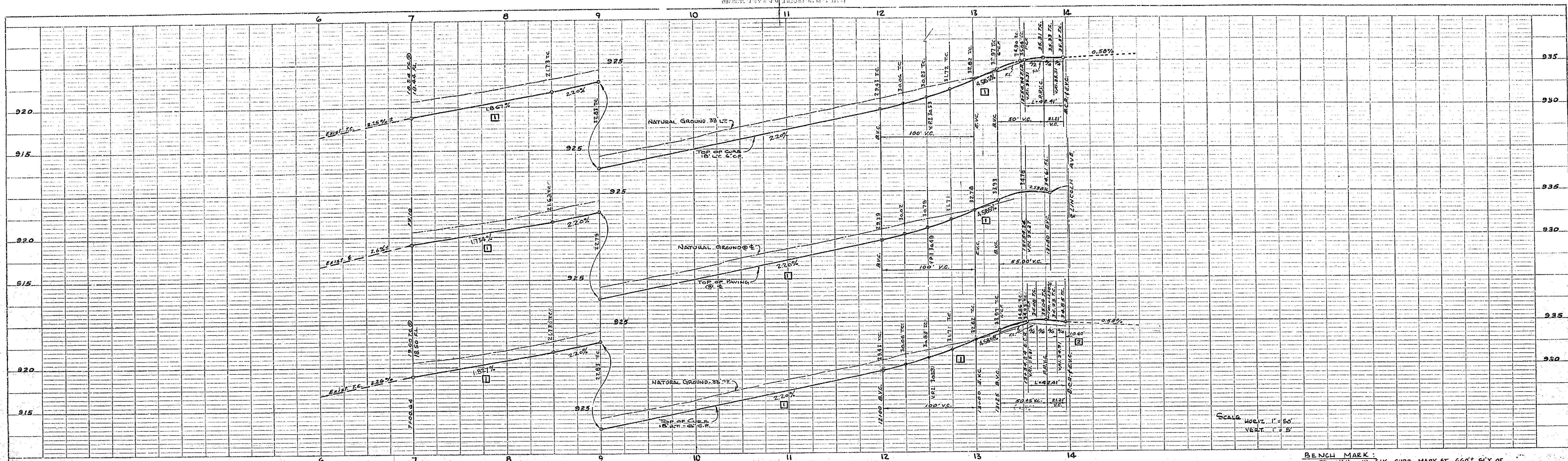
DATE: JANUARY 1963
 DRAWN: [Signature]
 CHECKED: [Signature]
 SCALE: 1"=50'
 W.O. 62-336
 F.B. 456/50
 APPROVED BY: [Signature]
 DIRECTOR OF PUBLIC WORKS
 DATE: 4-1-63
 SHEET 3 OF 4

PROFILE

DATE	
BY	
CHECKED	
APPROVED	

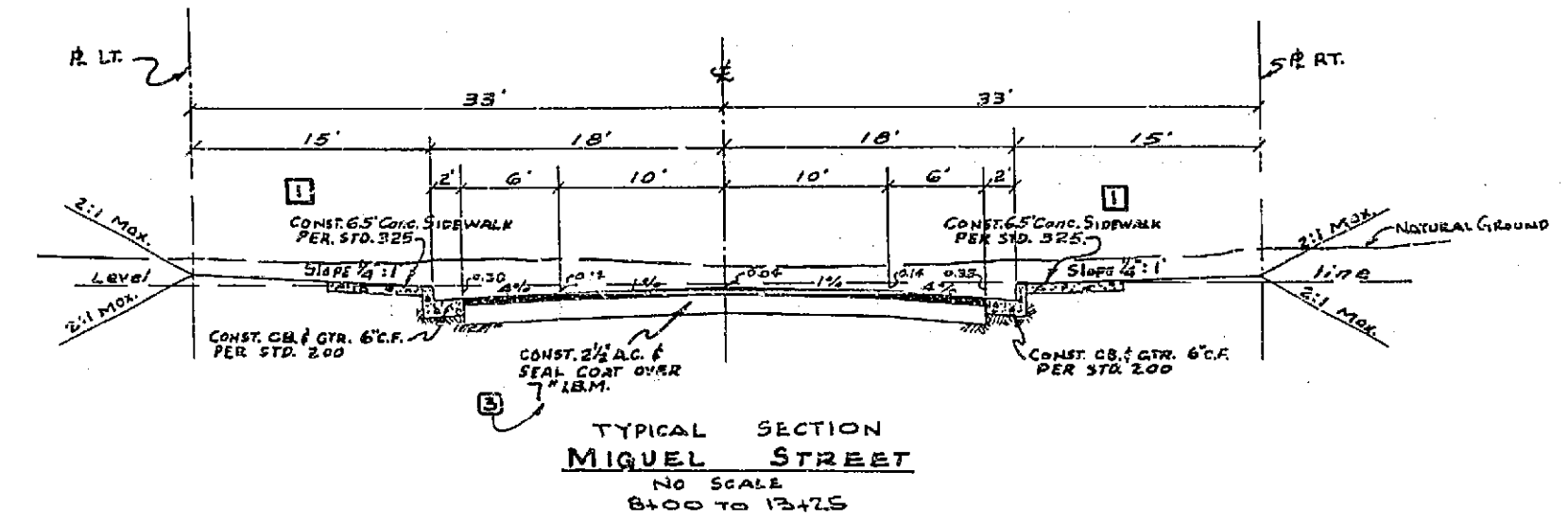
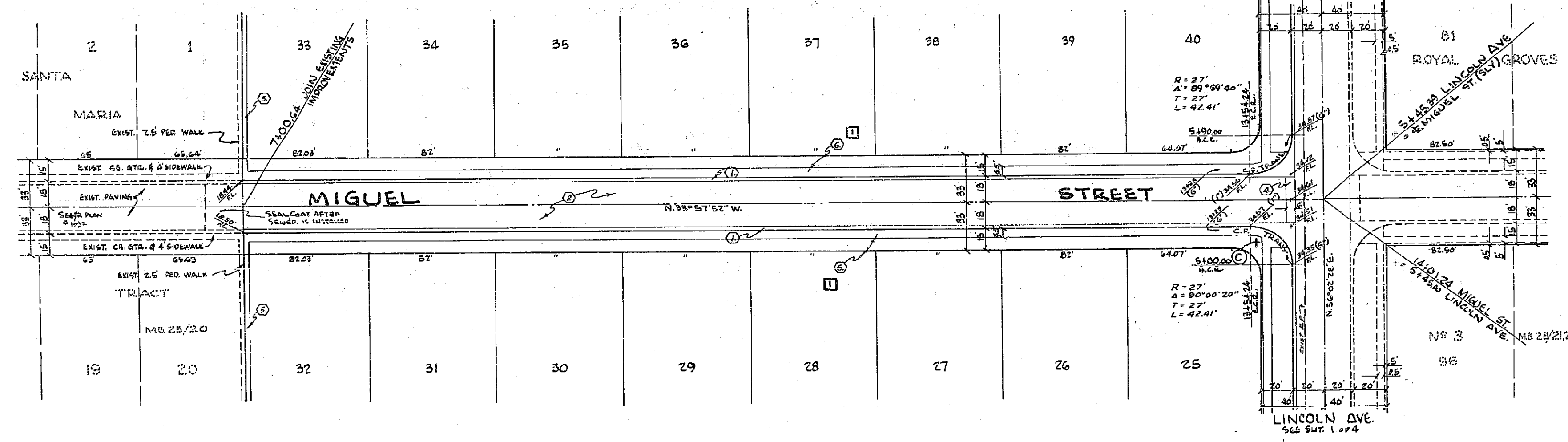
PLAN

DATE	
BY	
CHECKED	
APPROVED	



SCALE
HORIZ. 1" = 50'
VERT. 1" = 5'

BENCH MARK:
FR. NAIL IN ELY CURB MARY ST. 600' SLY OF
MARGUERITA. OPPOSITE HOUSE NO. 3095. ELEV. 916.53



PROFILE	
NO.	DATE

PLAN	
NO.	DATE

ALBERT A. WEBB ASSOCIATES
CIVIL ENGINEERS - RIVERSIDE, CALIFORNIA
APPROVED: *Albert A. Webb* DATE 2/6/63
S.E. 9876

CITY OF RIVERSIDE, CALIFORNIA
DEPARTMENT OF PUBLIC WORKS
STREET PLAN & PROFILE
OF
MIGUEL STREET
IN
TRACT NO. 2578

REVISION		
MARK	DATE	DESCRIPTION
1	8-9-63	REVISED GRADES AND SURFING ON MIGUEL ST. FROM 1.2% TO 2.2%
2	9-10-63	REVISED GRADES AT C.R. 20' TO 10' FROM 2.2% TO 1.8%
3	10-11-63	ADDED IRM. TO THE SECT. 14'

DATE JANUARY 1963 SCALE 1" = 50'
DRAWN *W.O.* W.O. 62-33G APPROVED BY *W.O.*
DIRECTOR OF PUBLIC WORKS
CHECKED *W.O.* W.O. 455/30 DATE 4-1-63
ADD *W.O.*

NO. R-674
SHEET 4 OF 4