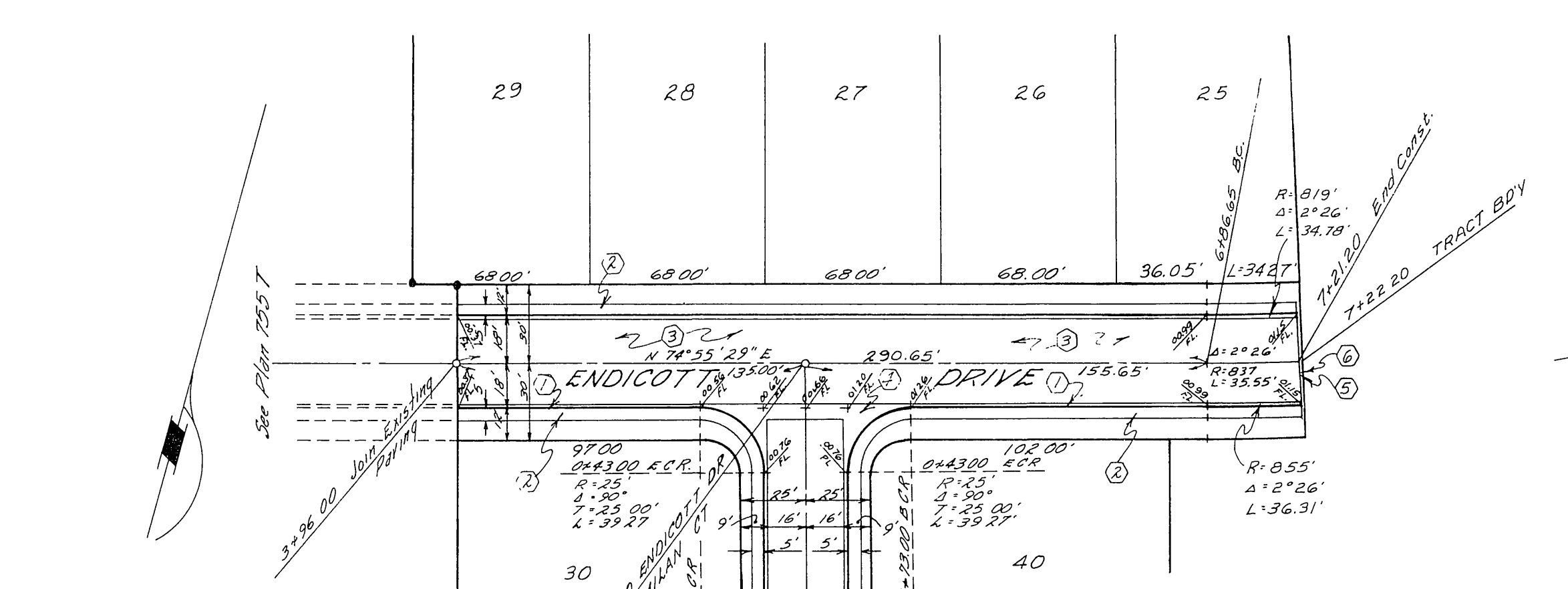


BENCH MARK: Elev. 703.51
400 Nail in South side Power Pole #320674-E on Nly corner Collect and La Sierra (Taken from Co. Plan N° 728-2)

- CONSTRUCTION NOTES:**
1. Const. curb & gutter Type "A", std. No. 10 - 6" C.F.
 2. Const. sidewalk - std. No. 6
 3. Const. 2 1/2" P.M.S over 11" J.B.M
 4. Const. cross gutter & apron - std. No. 14
 5. Const. Barricade - std. No. 27
 6. Const. 2"x4" Redwood Header

- GENERAL NOTES:**
1. The Subdivider shall install Street name signs conforming to County Std. No. 28, as Directed.
 2. All work shall conform to the requirements of the Riverside County Road Dept. Specifications for the Improvement of subdivision streets. Dated 1957 Ordinance No. 461.
 3. It shall be the responsibility of the Contractor to notify the Engineer after base course for the street has been constructed and before paving has been installed so that the Engineer may install the street Centerline Monuments, required by Riverside County Ordinance No. 461, Std. No. 42.
 4. It shall be the responsibility of the Subdivider or the Contractor to apply to the County of Riverside Road Department Permit Section for an Encroachment Permit for all Work adjoining Exist. County Maintained Road.

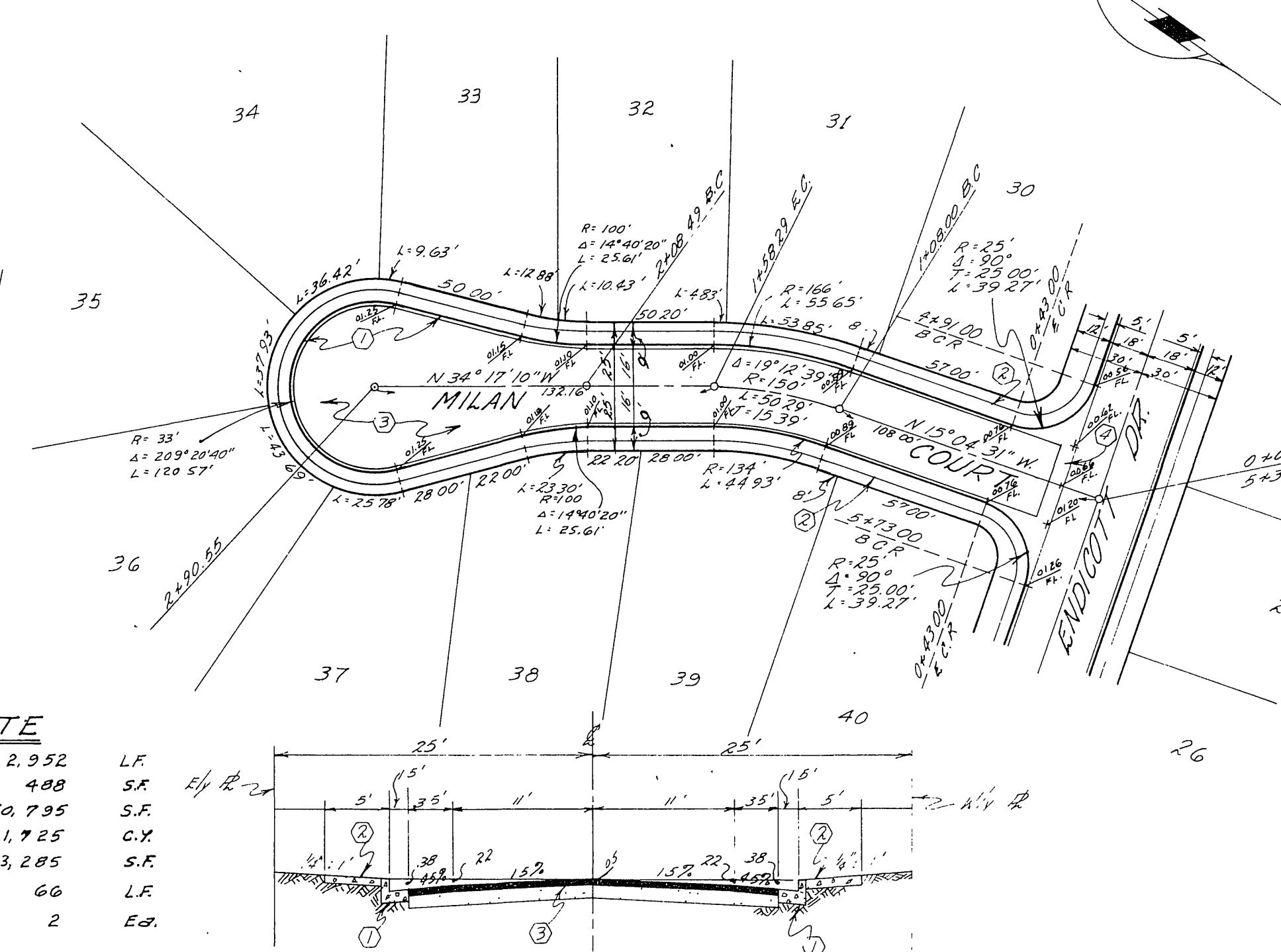
FILE COPY



TYPICAL SECTION
ENDICOTT DR. & FINCHLEY AVE.
N.T.S.

QUANTITY ESTIMATE

Curb & Gutter - Type A - Std. No. 10	2,952	L.F.
Cross Gutter and Aprons - Std. No. 14	400	S.F.
2 1/2" Plant Mix Surfacing	50,795	S.F.
Imported Base Material (11")	1,725	C.Y.
Sidewalk - Std. No. 6	13,285	S.F.
2"x4" Redwood Header	66	L.F.
Barricade - Std. No. 27	2	Ea.



TYPICAL SECTION
MILAN COURT
N.T.S.

Approved January 9, 1964
A.C. KEITH
Riverside County Road Commissioner
By: [Signature]

REVISIONS	DATE	BY
TRACT NO. 2595		
STREET PLAN AND PROFILE		
ENDICOTT DR. & MILAN CT.		
SCALE 1"=50'	DATE Aug 1963	W.O. 63-4
DRAWN E.W.L.	CHECKED	SHEET 1
TRACED		OF 2 SHEETS
CHECKED		DWG. NO. 63-4-A
F.B.		

R-976 761-A

PROFILE

NOTE BOOK	SUBMITTED	BY	DATE

PLAN

NOTE BOOK	SUBMITTED	BY	DATE

