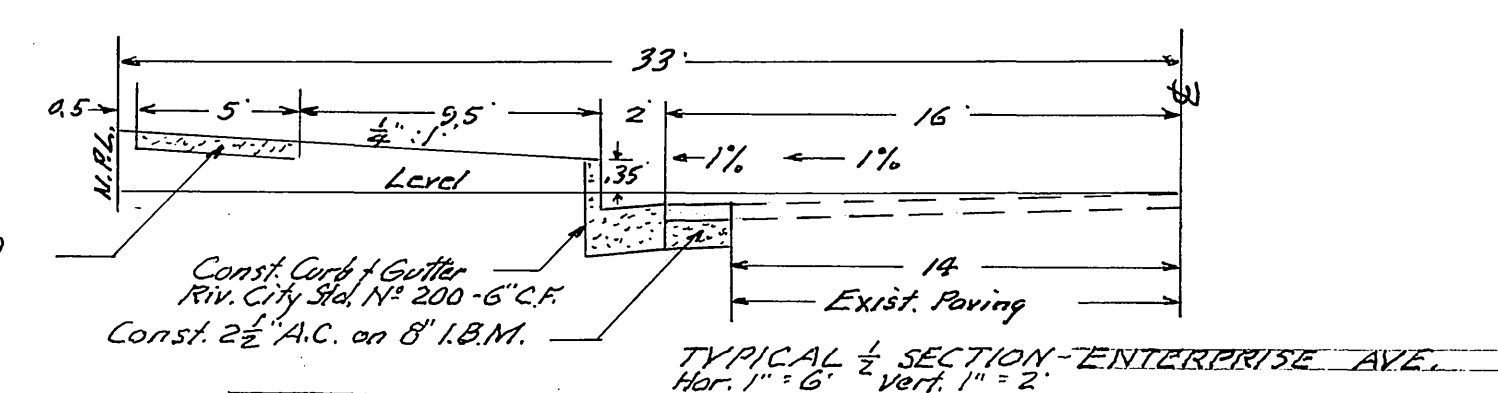
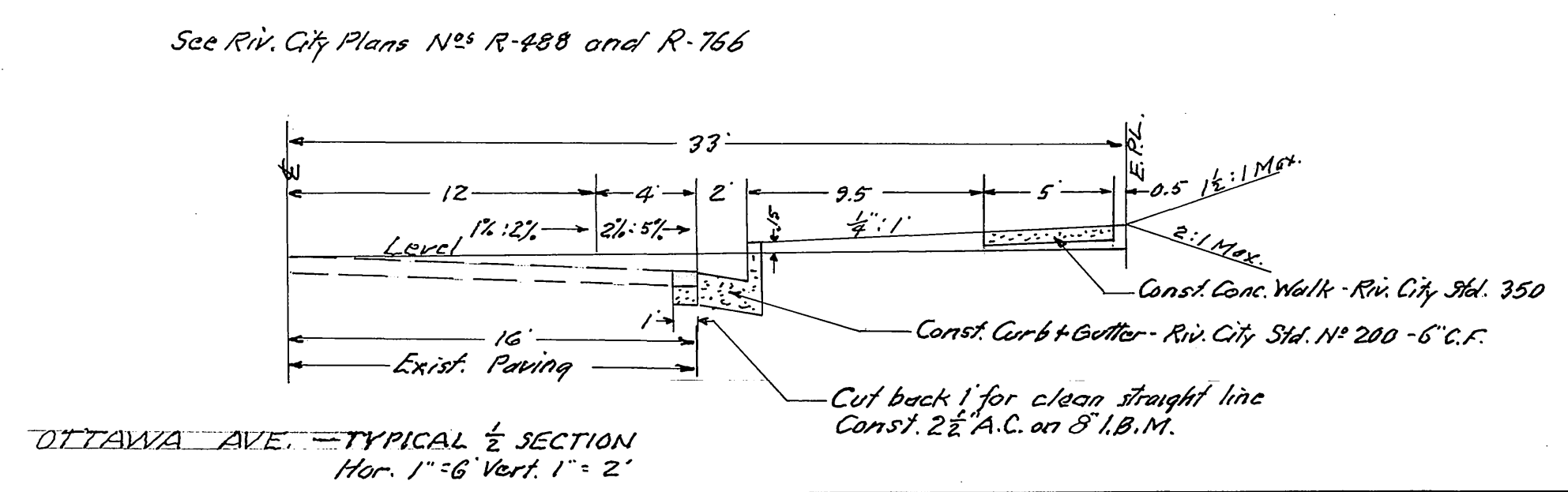
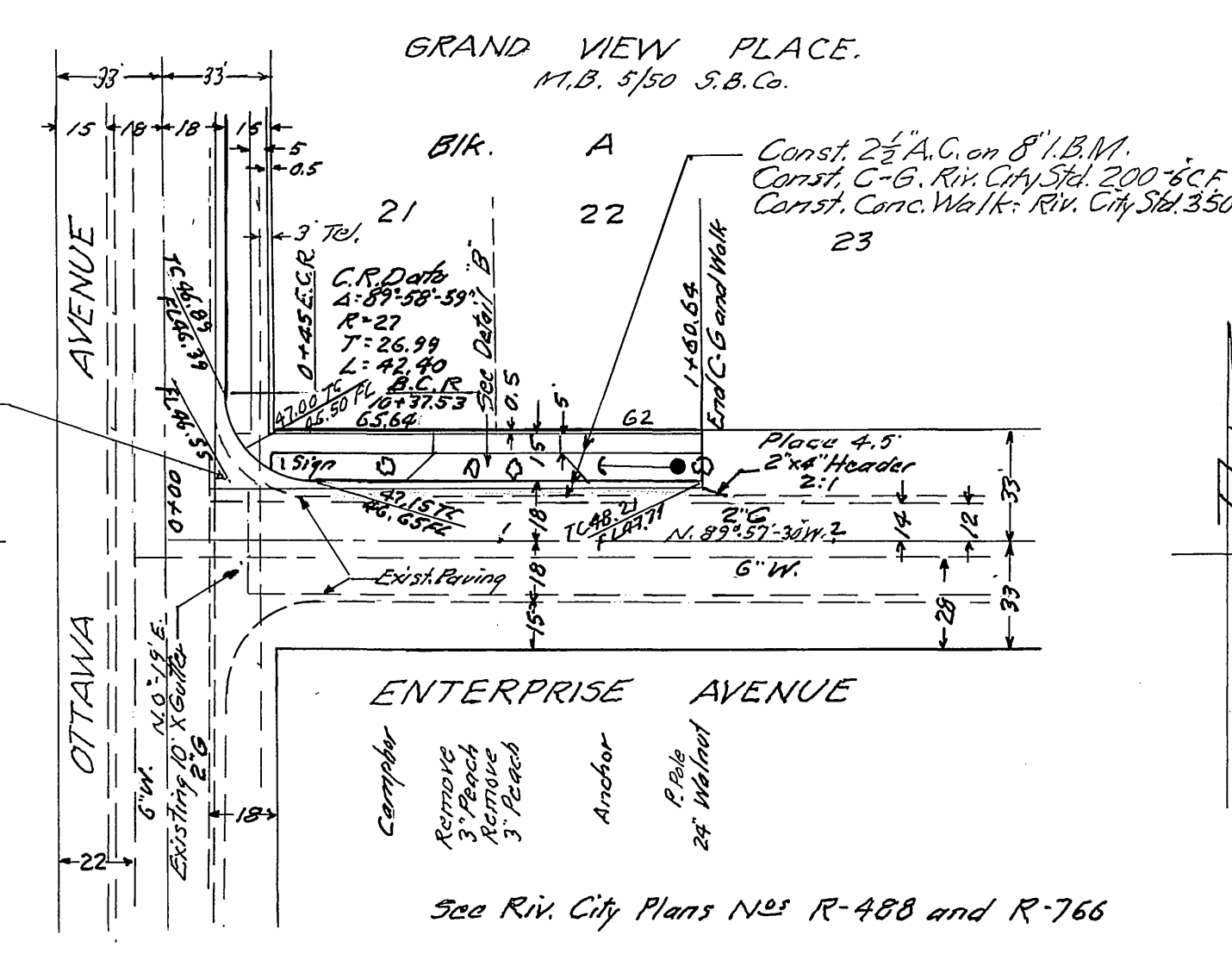
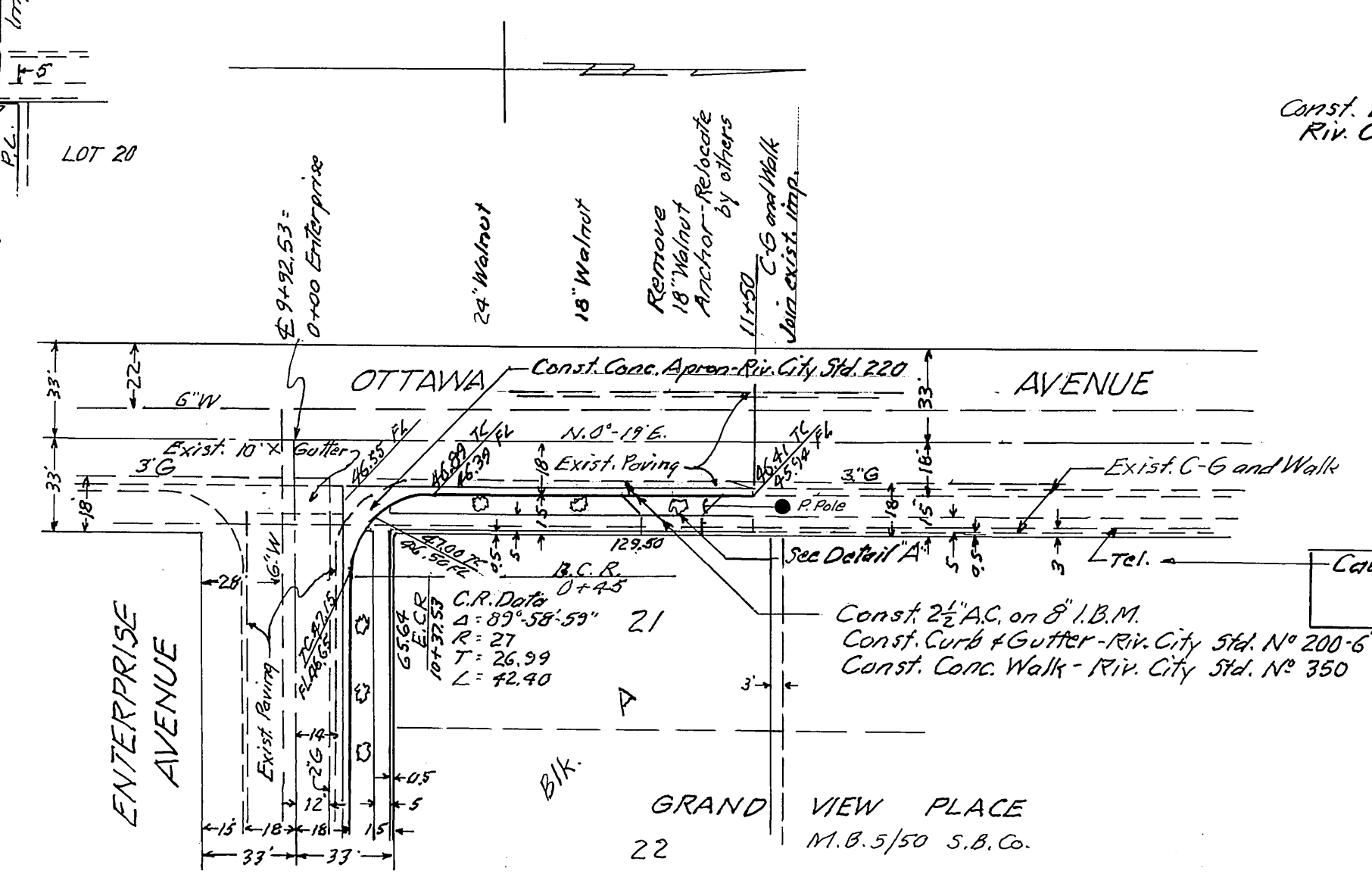
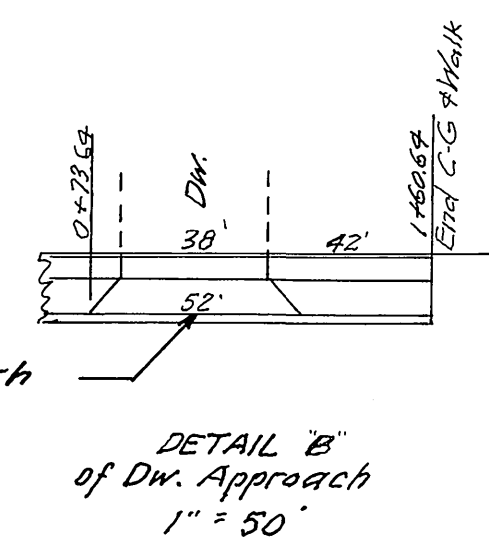
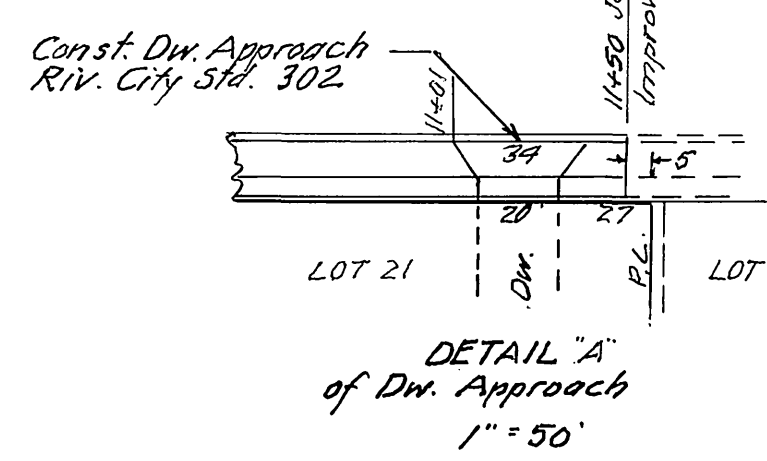


B.M. Spike and Lead in curb on W. side of Ottawa Ave 2.5' N. of E.H. south of Ohio St. Elev. = 950.05 - City Plan R-766



- GENERAL NOTES:**
- It shall be the responsibility of the Contractor to clear the right of way in accordance with the provisions of law as it affects each utility, including irrigation lines and appurtenances and at no cost to the City.
 - Construction shall be in accordance with the City of Riverside Department of Public Works, Specifications No. 461 and Standard Drawings.
 - Prime coat, seal coat and paint binder are required.
 - Grading will require a permit under Ordinance 3093 for a cut or fill exceeding 100 cubic yards or a fill over 1 foot in depth.
 - A soil test shall be taken by the Developer, the results of which shall be verified by the Public Works Dept. prior to determining the thickness of the Base Material.
 - Trim edge of existing pavement where new paving joins existing pavement, to a clean straight line. Construct match-up paving as shown and overlay paving as directed in the field to produce a smooth crown section.
 - For sewer laterals see City Plan No. 5-447 Sheet 2 Revised

| | | | | | | |
|---|--|---|--|--|--|--|
| J. F. DAVIDSON ASSOCIATES CIVIL ENGINEERS - SURVEYORS - PLANNERS RIVERSIDE, CALIFORNIA APPROVED BY: <i>[Signature]</i> DATE: 9-2-64 R.E. No. 862 | | CITY OF RIVERSIDE, CALIFORNIA DEPARTMENT OF PUBLIC WORKS APPROVED BY: <i>[Signature]</i> DATE: 9-2-64 OFFICE ENGINEER PARK DEPARTMENT TRAFFIC DIVISION ASSISTANT CITY ENG. | | STREET PLAN AND PROFILE OTTAWA AVENUE ENTERPRISE AVENUE ZONE CASE R-154-634 HORIZ. SCALE: 1" = 50' VERT. SCALE: 1" = 5' | | PROJECT NO. R-922 SHEET 1 OF 1 FILE NO. 2769 |
| W.O. 073 FOR: <i>[Signature]</i> Development Corp. F.B. | | DESIGNED BY: <i>[Signature]</i> DRAWN BY: <i>[Signature]</i> CHECKED BY: <i>[Signature]</i> | | REVISIONS: | | DATE: 9-2-64 |