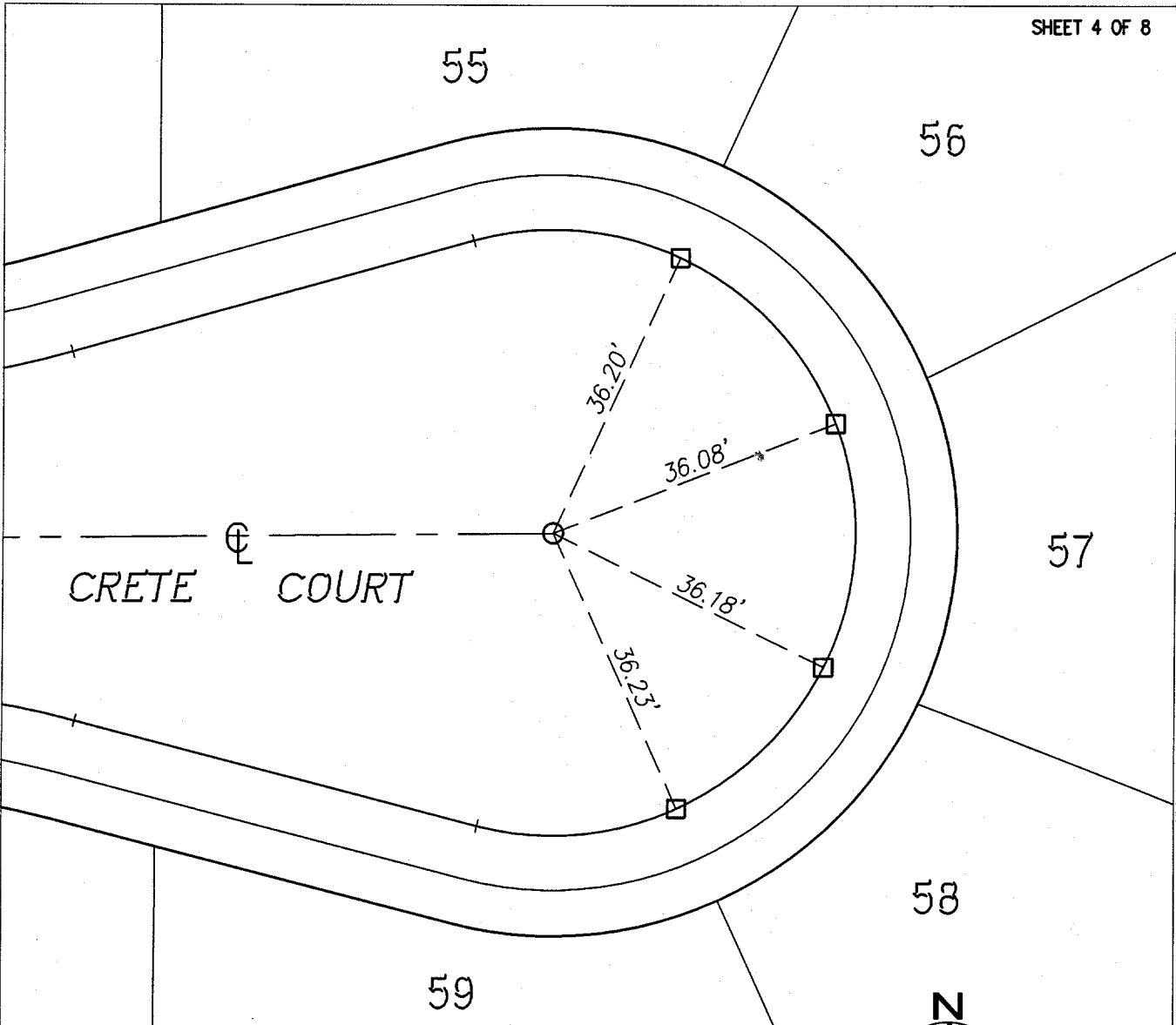


10695 TIE

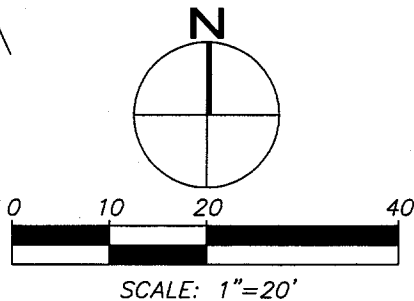
Street: CRETE CT


OFFICIAL USE ONLY
X-Street: CUL-DE-SAC



LEGEND

- - SET 1" IRON PIPE TAGGED LS 4691 FLUSH
- ◻ - SET NAIL & TAG STAMPED LS 4691 IN TOP OF CURB AT P.L. PROD.
- △ - SET LEAD & BRASS PIN IN TOP OF CURB



CITY OF RIVERSIDE CENTERLINE TIES		TRACT. 29041		MB 291/91-95	
 CIVIL ENGINEERING • LAND SURVEYING 937 SOUTH VIA LATA, SUITE 500, COLTON, CA 92324 PH. (909) 783-0101 FAX (909) 783-0108		CRETE COURT			
NAME: PAUL D. COOK		DATE: 4-10-02		FIELD REVIEW: DATE:	
P.L.S. NO. 4691		EXP. DATE: 9-30-03		TIE BOOK: PAGE:	