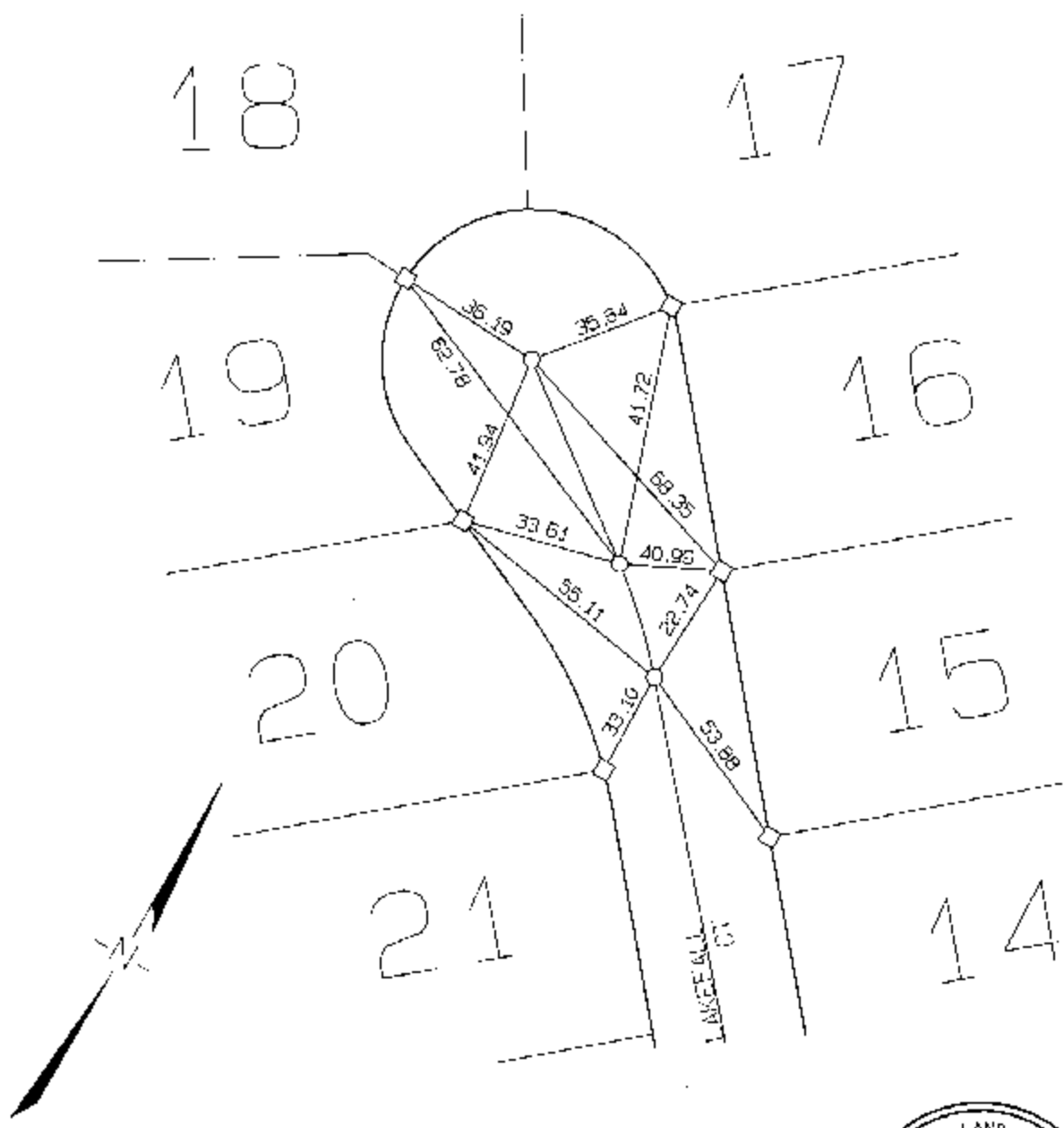


11416.TIF

LAKEFALL CT. CUL-DE-SAC

X-SHEET

OFFICE USE ONLY



- INDICATES SET 1" I.P. W/ PLASTIC PLUG STAMPED LS 5529
- △ INDICATES SET HAMSET NAIL IN CURB
- INDICATES SET RAMSET NAIL & TAG STAMPED LS 5529 IN CURB



SCALE	NIS
DATE	02-25-04
CHK BY	MEJ
DR. BY	HJG
P.O.	00-109
F.B.	2000/

OFFICIAL TIE PLAT
CITY OF RIVERSIDE

TRACT 29089-2

SHEET	7
OF 38 SHEETS	
FILE NO. :	TIES